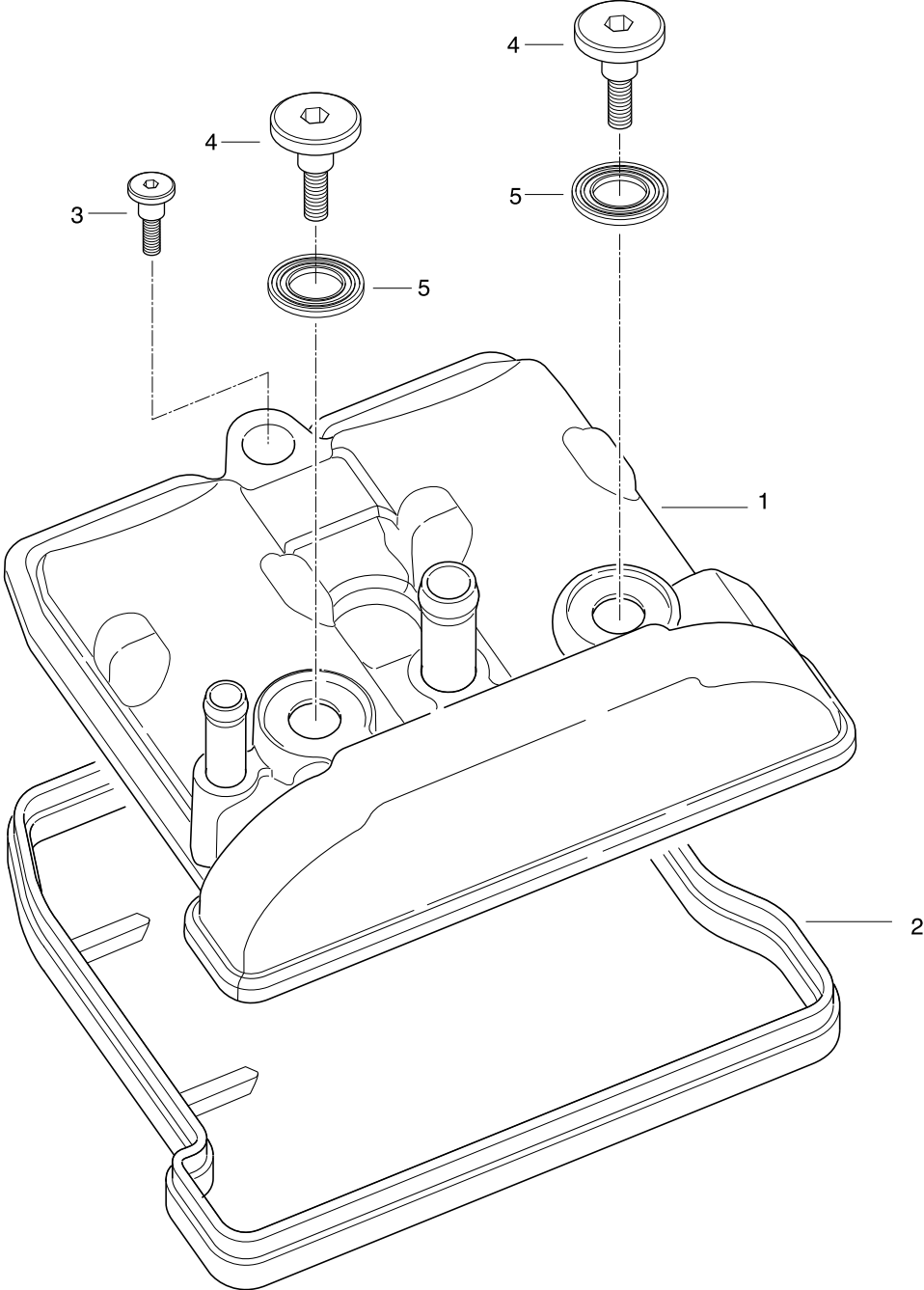


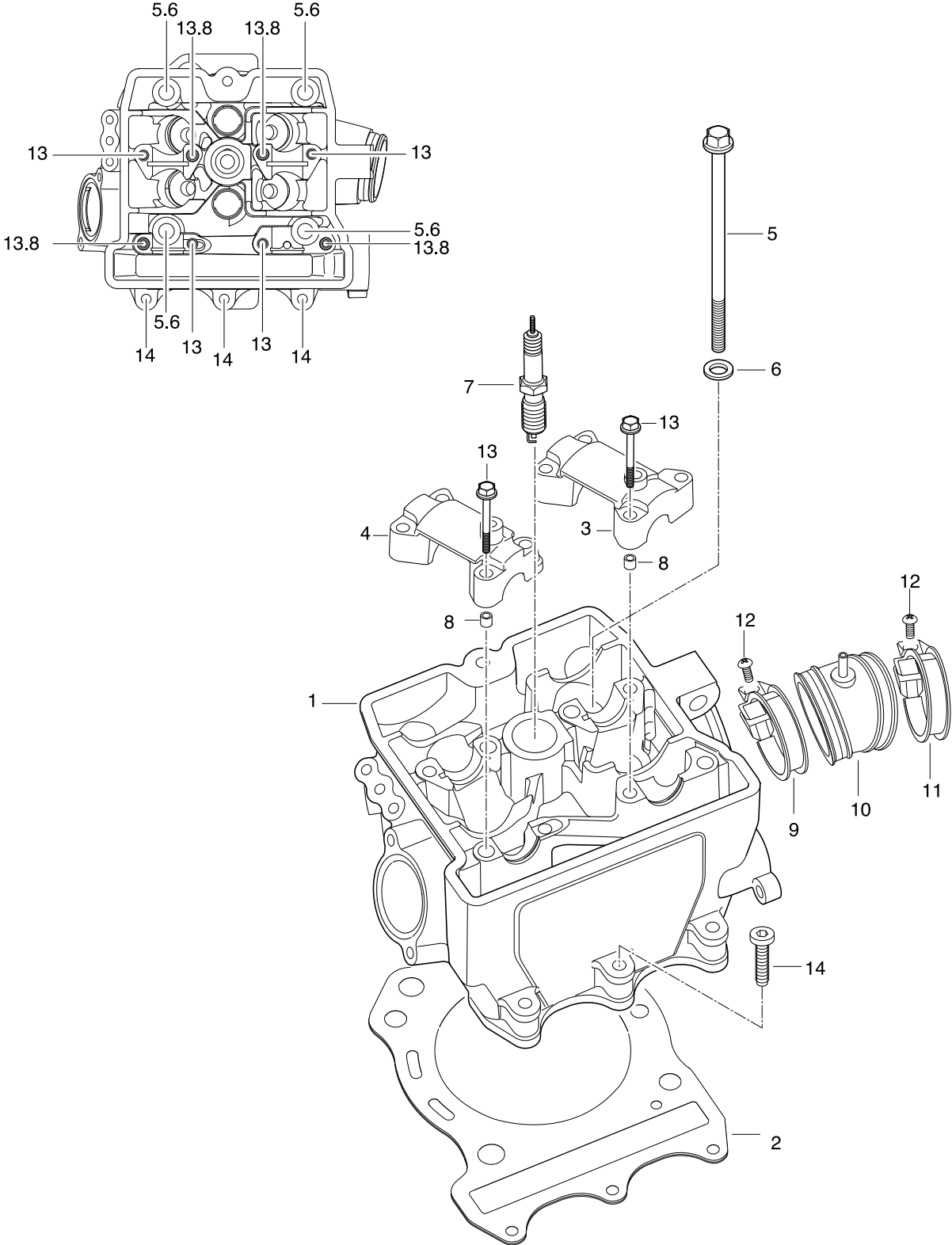
FIG 1



# FIG 1 CYLINDER COVER

REF.				PARTS NAME	Q`TY	REMARKS	REC.Q'TY
NO.	7US02-UM	7US01-HSM	7CA01-CANADA				(PCS)
1	11171HP89000S1	11171HP89000S1	11171HP89000S1	COVER COMP, cylinder head	1		10
2	11173HP8900	11173HP8900	11173HP8900	GASKET, cylinder head cover	1		10
3	09106H07017	09106H07017	09106H07017	BOLT, cylinder head cover No.2	1		30
4	09106H07018	09106H07018	09106H07018	BOLT, cylinder head cover No.1	2		30
5	09161H11008	09161H11008	09161H11008	WASHER, cylinder head cover	2		

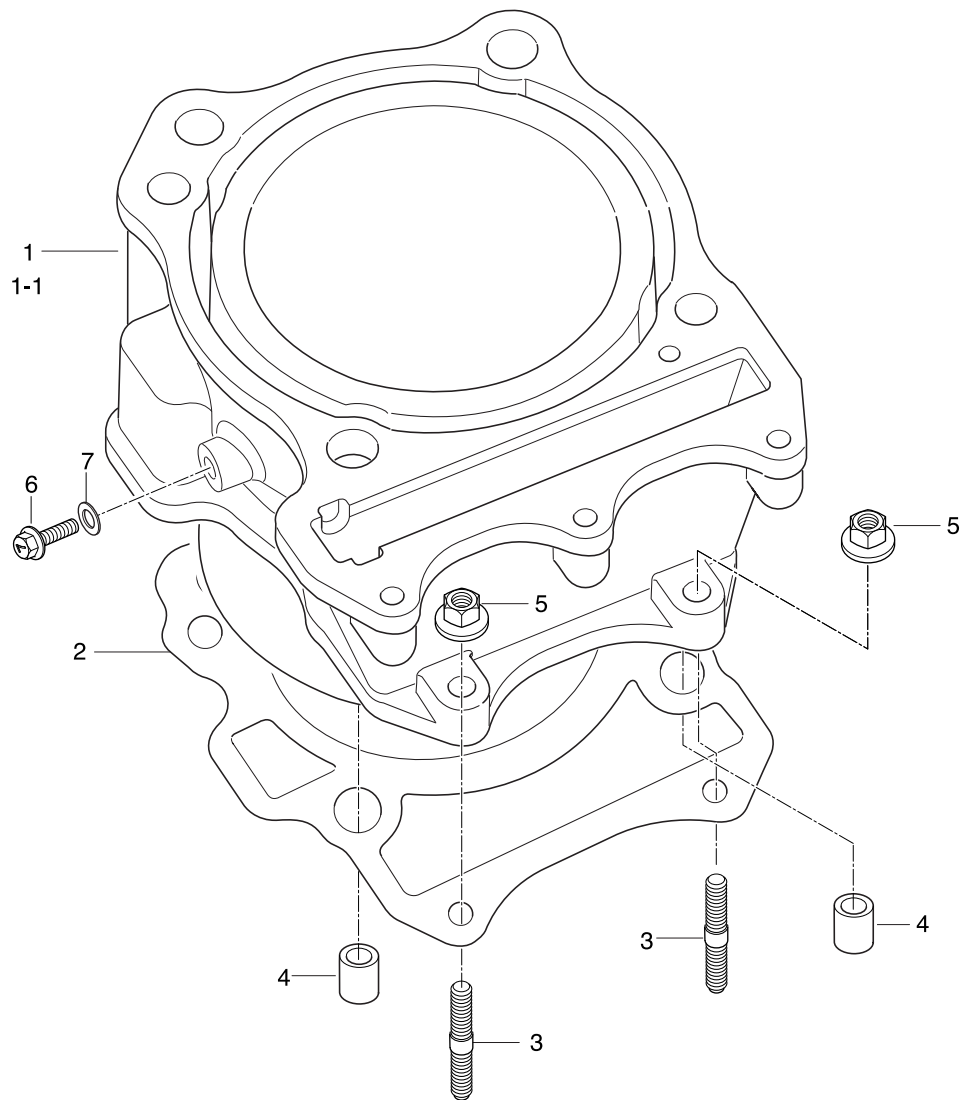
FIG 2



## FIG 2. CYLINDER HEAD

REF.	PARTS NAME			Q'TY	REMARKS	REC.Q'TY
NO.	7US02-UM	7US01-HSM	7CA01-CANADA			(PCS)
1	11110H78960HPA	11110H78960HPA	11110H78960HPA	HEAD ASS'Y, cylinder	1	10
2	11141HP8900	11141HP8900	11141HP8900	GASKET, cylinder head	1	10
3	11131HP8900888	11131HP8900888	11131HP8900888	HOUSING ,camshaft intake	1	
4	11132HP8900888	11132HP8900888	11132HP8900888	HOUSING ,camshaft exhaust	1	
5	09103H10001	09103H10001	09103H10001	BOLT, cylinder head (M10)	4	10
6	09160H10002	09160H10002	09160H10002	WASHER, cylinder head bolt	4	10
7	09482-00456	09482-00456	09482-00456	PLUG, spark CR8E	1	
8	09206-08001	09206-08001	09206-08001	KNOCK PIN, camshaft housing	4	
9	09402-58208	09402-58208	09402-58208	CLAMP, carburetor	1	
10	13110H78960	13110H78960	13110H78960	PIPE COMP, intake	1	10
11	09402-58208	09402-58208	09402-58208	CLAMP, carburetor	1	
12	02122-06168	02122-06168	02122-06168	SCREW, intake	2	
13	09103H06002	09103H06002	09103H06002	BOLT, camshaft housing (M6)	8	
14	07120-06408	07120-06408	07120-06408	BOLT, cylinder head No.1(M6)	3	

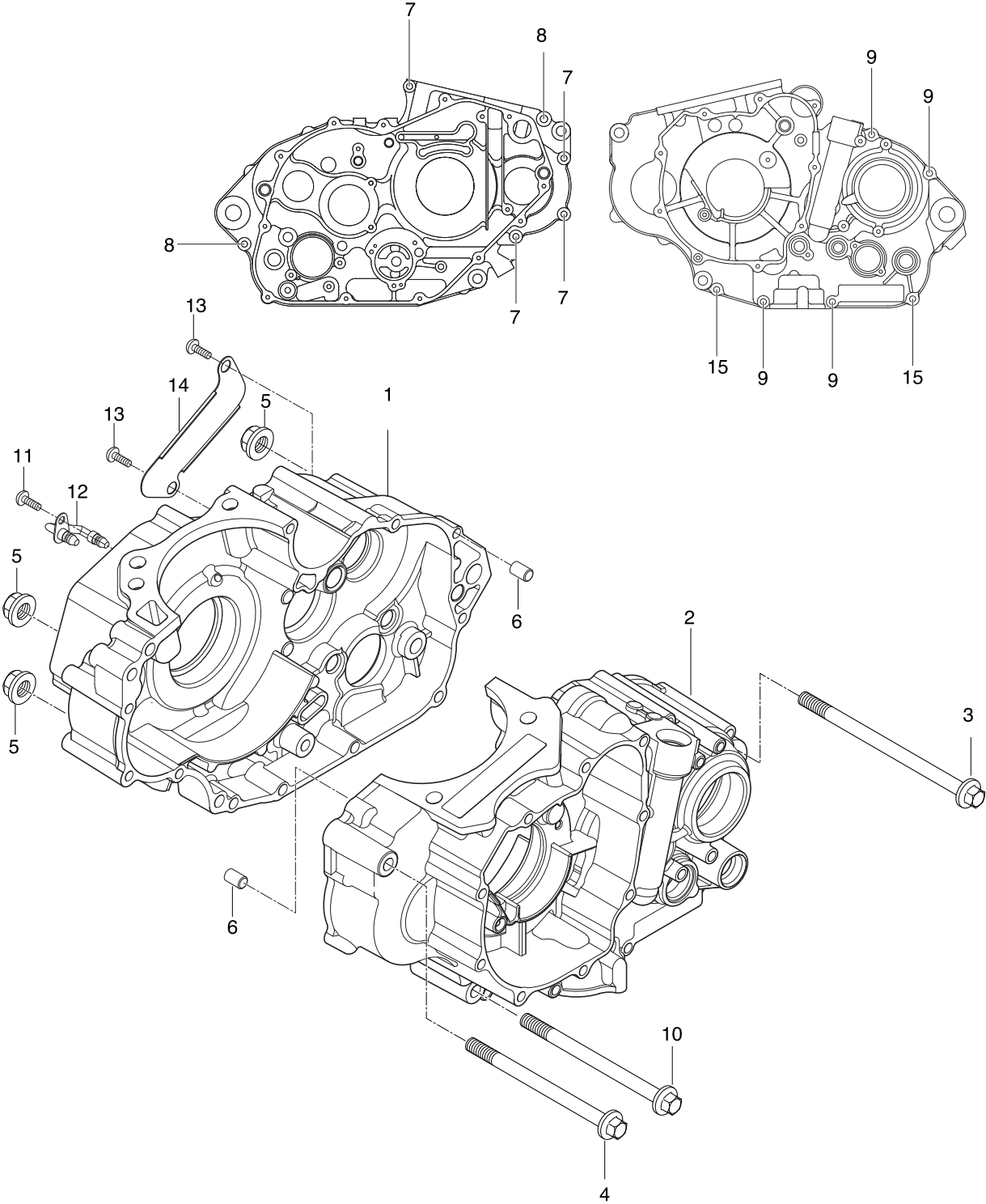
FIG. 3



# FIG 3. CYLINDER

REF.				PARTS NAME	Q`TY	REMARKS	REC.Q'TY
NO.	7US02-UM	7US01-HSM	7CA01-CANADA				(PCS)
1	11210HP8900HPA	11210HP8900HPA	11210HP8900HPA	CYLINDER COMP	1		10
1-1	11210HP8920HPA	11210HP8920HPA	11210HP8920HPA	CYLINDER COMP(AL mono sleeve)	1		
2	11241HP8900	11241HP8900	11241HP8900	GASKET, cylinder	1		10
3	01421-06258	01421-06258	01421-06258	BOLT, cylinder stud (M6)	2		
4	04213-13189	04213-13189	04213-13189	PIN, cylinder knock	2		
5	08316-16068	08316-16068	08316-16068	NUT, cylinder M6	2		
6	01517-06128	01517-06128	01517-06128	BOLT, water drain	1		
7	09168H06019	09168H06019	09168H06019	GASKET, water drain bolt	1		30

FIG 4

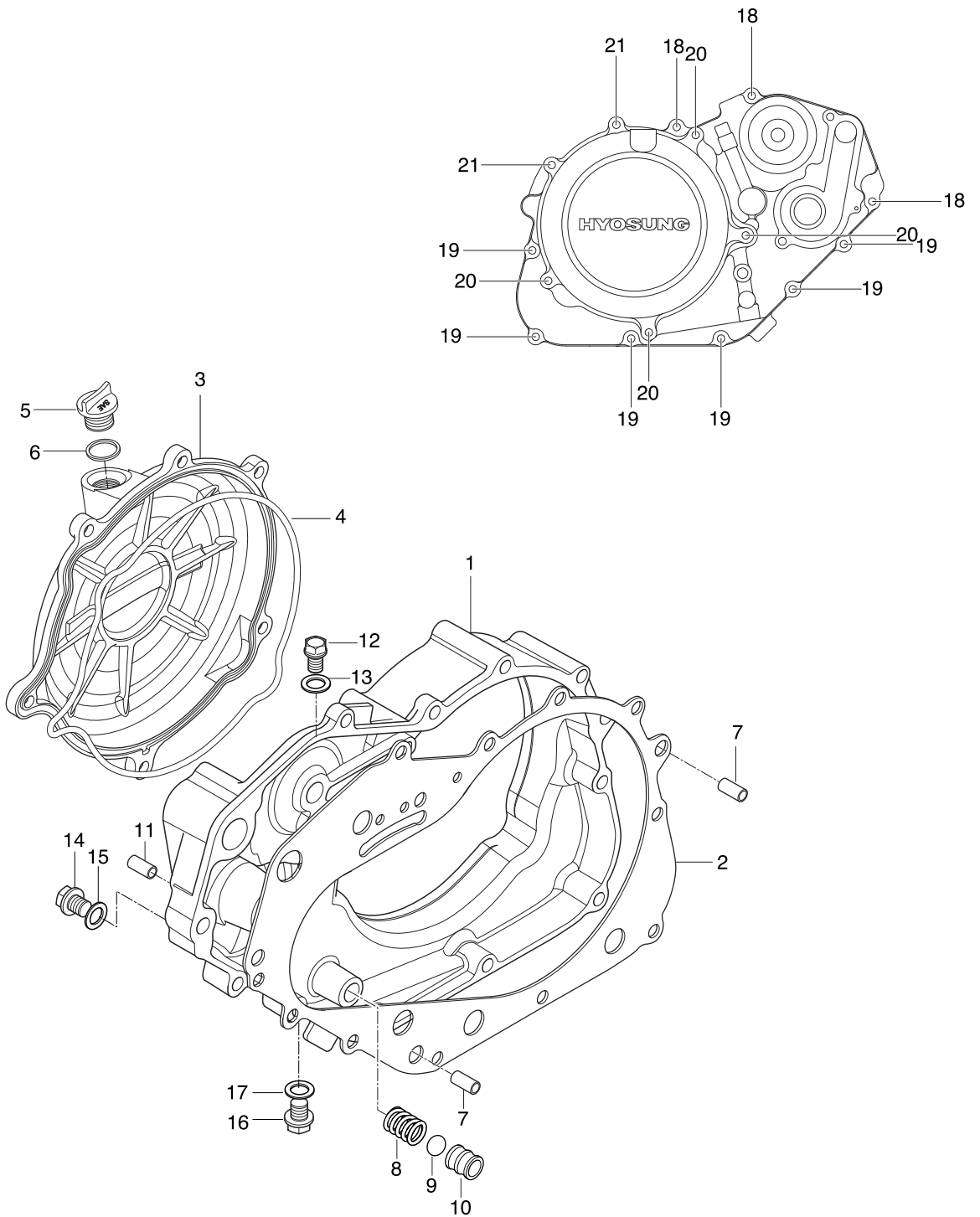


# FIG 4. CRANK CASE

REF.				PARTS NAME	Q'TY	REMARKS	REC.Q'TY
NO.	7US02-UM	7US01-HSM	7CA01-CANADA				(PCS)
0	11300HP8900HPA	11300HP8900HPA	11300HP8900HPA	CRANKCASE ASS'Y	1		5
1	11310HP8900HPA	11310HP8900HPA	11310HP8900HPA	CRANKCASE COMP, R	1		
2	11320HP8900HPA	11320HP8900HPA	11320HP8900HPA	CRANKCASE COMP, L	1		
3	41999HP8900	41999HP8900	41999HP8900	BOLT, engine mounting lower rear	1		
4	41996HP8900	41996HP8900	41996HP8900	BOLT, engine mounting front	1		
5	08319-31108	08319-31108	08319-31108	NUT, engine mounting lower front	3		
6	04213-13189	04213-13189	04213-13189	PIN, crankcase knock	2		
7	01547-06758	01547-06758	01547-06758	BOLT, crankcase M6	4		20
8	07120-08508	07120-08508	07120-08508	BOLT, crankcase M8	2		10
9	01547-06858	01547-06858	01547-06858	BOLT, crankcase M6	4		20
10	07120-08208	07120-08208	07120-08208	BOLT, engine mounting front lower	4		20
11	02112-06128	02112-06128	02112-06128	SCREW, connector oil pipe	1		
12	24760HP8900	24760HP8900	24760HP8900	PIPE COMP, oil connector	1		
13	02112-06128	02112-06128	02112-06128	SCREW, oil return guide	2		
14	11316HP8900	11316HP8900	11316HP8900	GUIDE, oil return	1		
15	01547-06658	01547-06658	01547-06658	BOLT, crankcase M6	2		



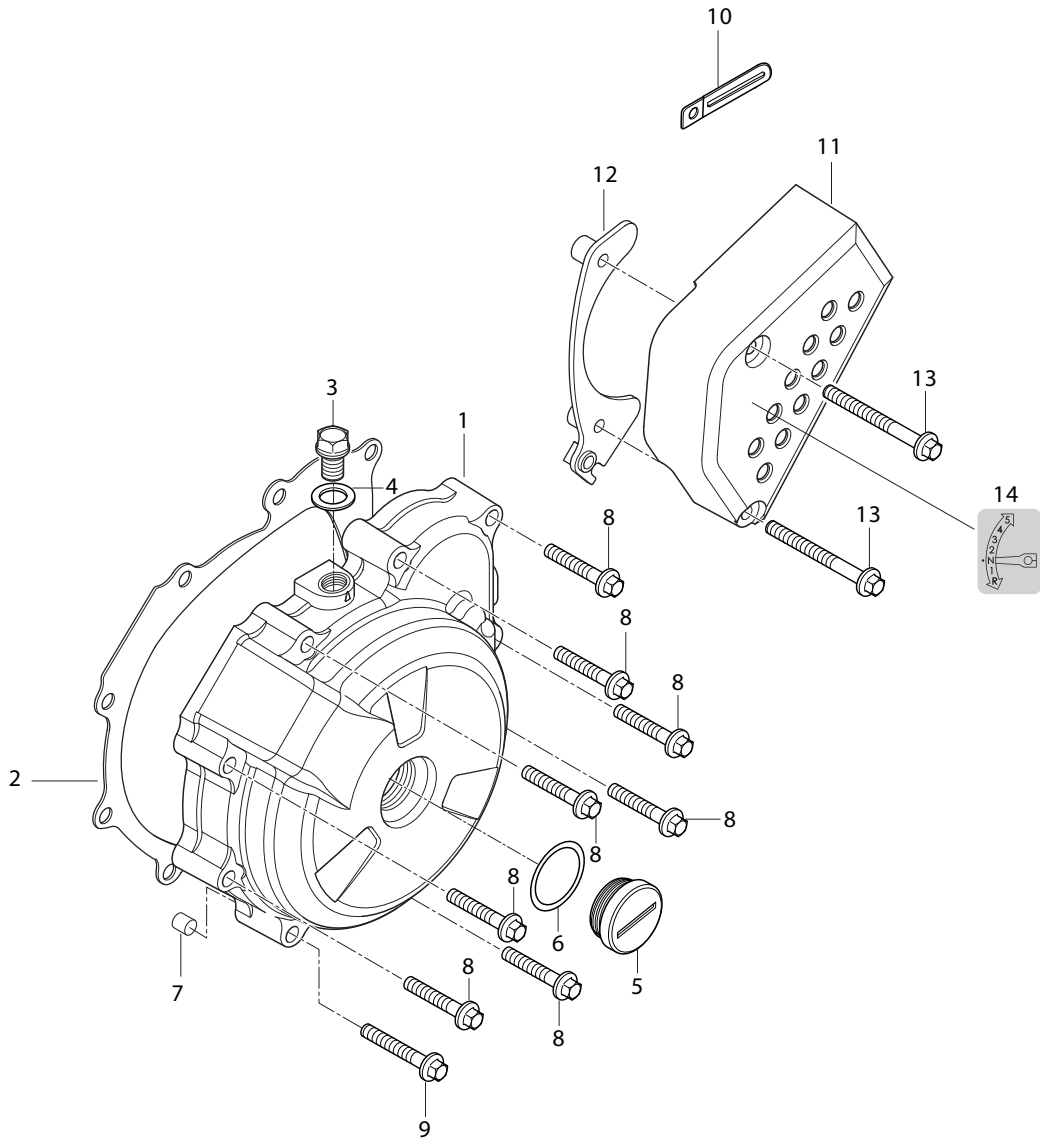
FIG 5



# FIG 5. CRANK CASE COVER

REF.				PARTS NAME	Q'TY	REMARKS	REC.Q'TY
NO.	7US02-UM	7US01-HSM	7CA01-CANADA				(PCS)
1	11330HP89000S1	11330HP89000S1	11330HP89000S1	COVER COMP, clutch	1		10
2	11481HP8900	11481HP8900	11481HP8900	GASKET, clutch cover	1		50
3	11341H78960HPA	11341H8900HPA	11341H8900HPA	COVER, clutch outer	1		10
4	11482HP8900	11482HP8900	11482HP8900	O-RING, clutch outer cover	1		
5	09259-2601503P	09259-2601503P	09259-2601503P	PLUG, eng oil filter	1		
6	09280H17003	09280H17003	09280H17003	O-RING, eng oil filter plug	1		
7	04213-13189	04213-13189	04213-13189	PIN, clutch cover knock	2		
8	09440H08001	09440H08001	09440H08001	SPRING, oil check ball	1		
9	06111-12004	06111-12004	06111-12004	BALL, oil check	1		
10	16450HP8901	16450HP8901	16450HP8901	BUSH COMP, oil check	1		
11	04222-03089	04222-03089	04222-03089	PIN, water pump case	1		
12	01517-06128	01517-06128	01517-06128	BOLT, oil galley	1		
13	09168H06019	09168H06019	09168H06019	GASKET, oil galley bolt	1		50
14	01514-08128	01514-08128	01514-08128	PLUG, oil check	1		
15	09168-08015	09168-08015	09168-08015	GASKET, oil check plug	1		50
16	09247-100A9	09247-100A9	09247-100A9	BOLT, oil galley	1		
17	09168H10003	09168H10003	09168H10003	GASKET, oil galley bolt	1		50
18	01547-06208	01547-06208	01547-06208	BOLT, clutch cover	3		
19	01547-06308	01547-06308	01547-06308	BOLT, clutch cover	6		
20	01547-06258	01547-06258	01547-06258	BOLT, clutch cover outer	4		
21	01547-06708	01547-06708	01547-06708	BOLT, clutch cover outer	2		

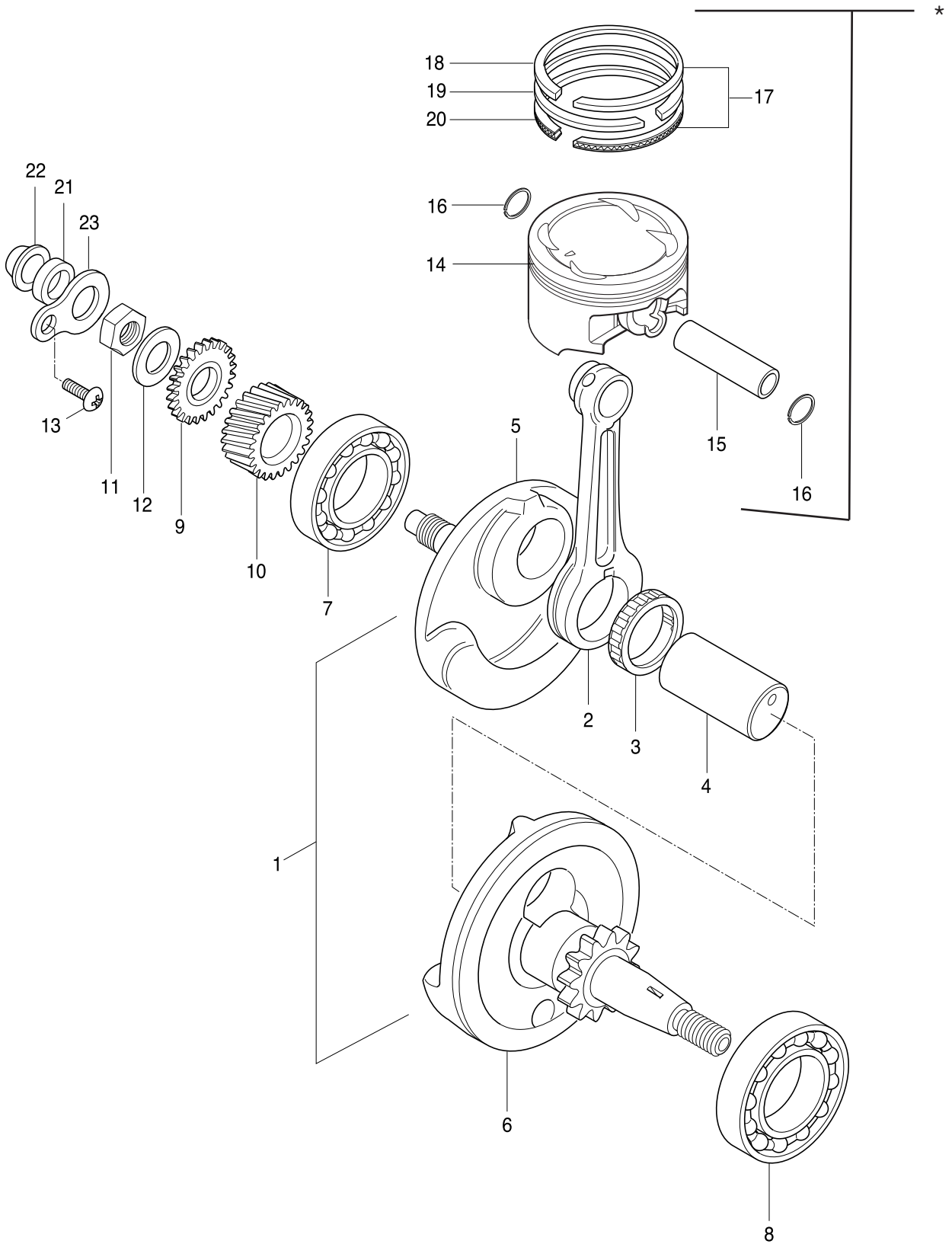
FIG 6



# FIG 6. MAGNETO COVER

REF.				PARTS NAME	Q'TY	REMARKS	REC.Q'TY
NO.	7US02-UM	7US01-HSM	7CA01-CANADA				(PCS)
1	11351HP89000S1	11351HP89000S1	11351HP89000S1	COVER, magneto	1		10
2	11483HP8900	11483HP8900	11483HP8900	GASKET, magneto cover	1		20
3	09247H12102	09247H12102	09247H12102	PLUG, tdc	1		
4	09168H12003	09168H12003	09168H12003	GASKET, tdc plug	1		10
5	09259-26015	09259-26015	09259-26015	PLUG, crankshaft hole	1		
6	09280-22008	09280-22008	09280-22008	O-RING, crankshaft hole plug	1		
7	04213-09129	04213-09129	04213-09129	PIN, magneto cover knock	1		
8	01547-06408	01547-06408	01547-06408	BOLT, magneto cover	8		30
9	01547-06458	01547-06458	01547-06458	BOLT, magneto cover	1		
10	09403H09304	09403H09304	09403H09304	CLAMP, reverse cable	1		
11	11360HP8900	11360HP8900	11360HP8900	COVER COMP, engine sprocket	1		10
12	27520HP8900	27520HP8900	27520HP8900	GUIDE COMP, drive chain	1		5
13	01547-06458	01547-06458	01547-06458	BOLT, engine sprocket cover	2		
14	68241HP8900	68241HP8900	68241HP8900	LABEL, gear chain	1		

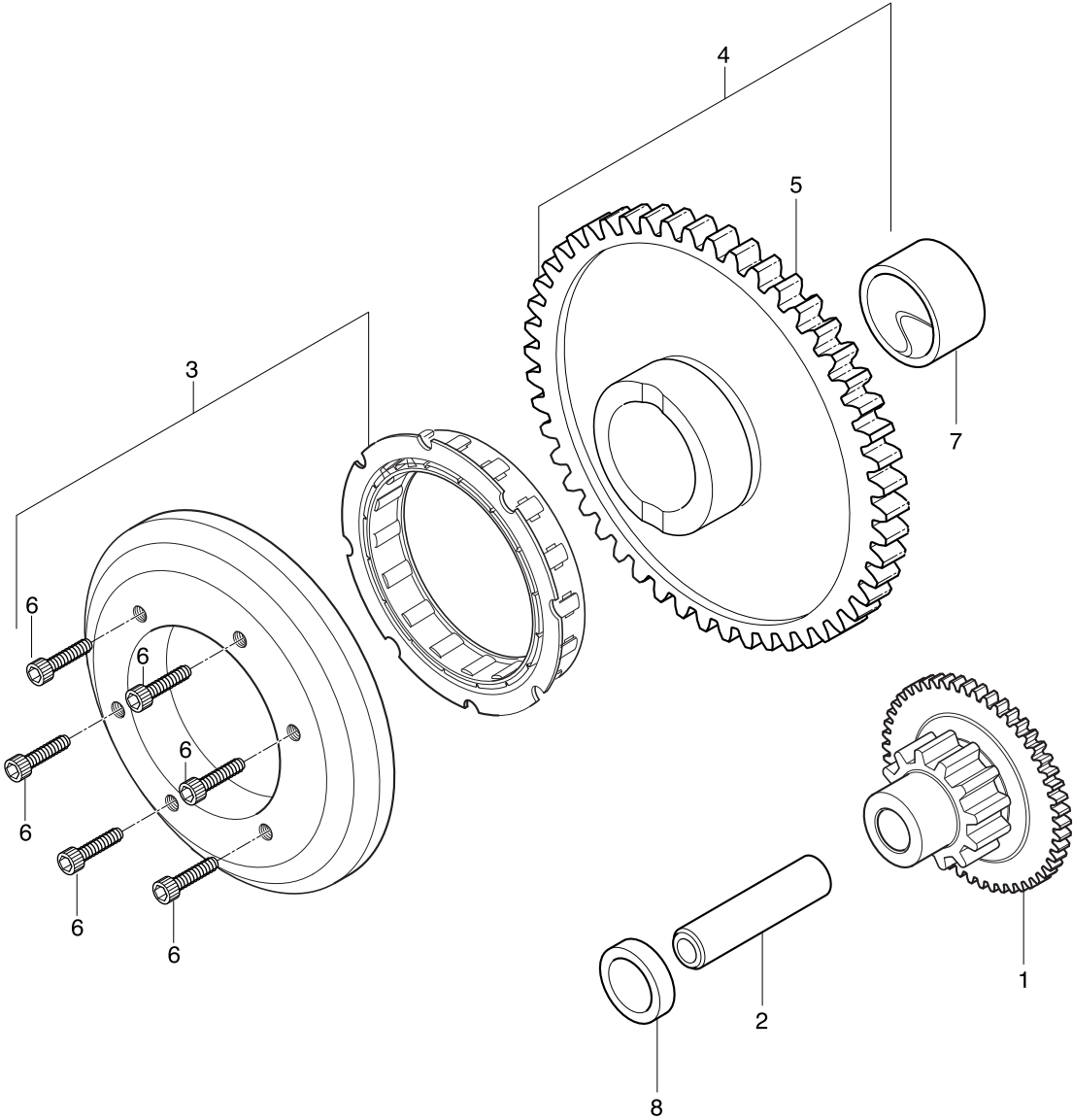
FIG 7



# FIG 7. CRANK SHAFT

REF.				PARTS NAME	Q'TY	REMARKS	REC.Q'TY
NO.	7US02-UM	7US01-HSM	7CA01-CANADA				(PCS)
1	12200HP8900HPA	12200HP8900HPA	12200HP8900HPA	CRANK SHAFT ASS'Y	1		10
2	12161HP8900	12161HP8900	12161HP8900	ROD, connecting	1		
3	09263H37002	09263H37002	09263H37002	BEARING, crank pin	2		
4	12210HP8900	12210HP8900	12210HP8900	PIN COMP, crank	1		10
5	12221HP8900CSA	12221HP8900CSA	12221HP8900CSA	CRANK SHAFT, R	1		
6	12261HP8900CSA	12261HP8900CSA	12261HP8900CSA	CRANK SHAFT, L	1		
7	09262H30001	09262H30001	09262H30001	BEARING, crank shaft R	1		10
8	09262H35001	09262H35001	09262H35001	BEARING, crank shaft L	1		10
9	17511HN9103	17511HN9103	17511HN9103	GEAR, water pump drive	1		
10	21111HP8900	21111HP8900	21111HP8900	GEAR, primary drive	1		
11	09140H18001	09140H18001	09140H18001	NUT, primary drive gear	1		
12	09146H18001	09146H18001	09146H18001	WASHER, water pump deive gear lock	1		
13	02112-00128	02112-00128	02112-00128	SCREW, crank shaft oil seal retainer	3		
*	12110SP8900HPA	12110SP8900HPA	12110SP8900HPA	PISTON SET ( piston + ring set + circli	1		20
*	12110SP8920HPA	12110SP8920HPA	12110SP8920HPA	PISTON SET( AL mono block)	1		20
14	12111HP8900PPS	12111HP8900PPS	12111HP8900PPS	PISTON	1		20
14-1	12111HP8920	12111HP8920	12111HP8920	PISTON(AL mono block)	1		
15	12151HP8901	12151HP8901	12151HP8901	PIN, piston	1		20
15-1	12151HP8920	12151HP8920	12151HP8920	PIN, piston(AL mono block)	1		
16	09381H19001	09381H19001	09381H19001	CIRCLIP, piston pin	2		20
16-1	09381H19001	09381H19001	09381H19001	CIRCLIP, piston pin(AL mono block)	2		
17	12140HP8900	12140HP8900	12140HP8900	RINGSET, piston	1		20
17-1	12140HP8920	12140HP8920	12140HP8920	RINGSET, piston(AL mono block)	1		
18	12141HP8900	12141HP8900	12141HP8900	RING, piston 1st	1		20
18-1	12141HP8920	12141HP8920	12141HP8920	RING, piston 1st(AL mono block)	1		
19	12142HP8900	12142HP8900	12142HP8900	RING, piston 2nd	1		20
19-1	12142HP8920	12142HP8920	12142HP8920	RING, piston 2nd(AL mono block)	1		
20	12144HP8900	12144HP8900	12144HP8900	RING, piston oil	1		20
20-1	12144HP8920	12144HP8920	12144HP8920	RING, piston oil(AL mono block)	1		
21	09282-12001	09282-12001	09282-12001	SEAL, crank shaft oil rh	1		20
22	12291HN9100	12291HN9100	12291HN9100	JET, crank shaft R	1		
23	12281HN9100	12281HN9100	12281HN9100	RETAINER, crank shaft oil seal	1		

FIG.8

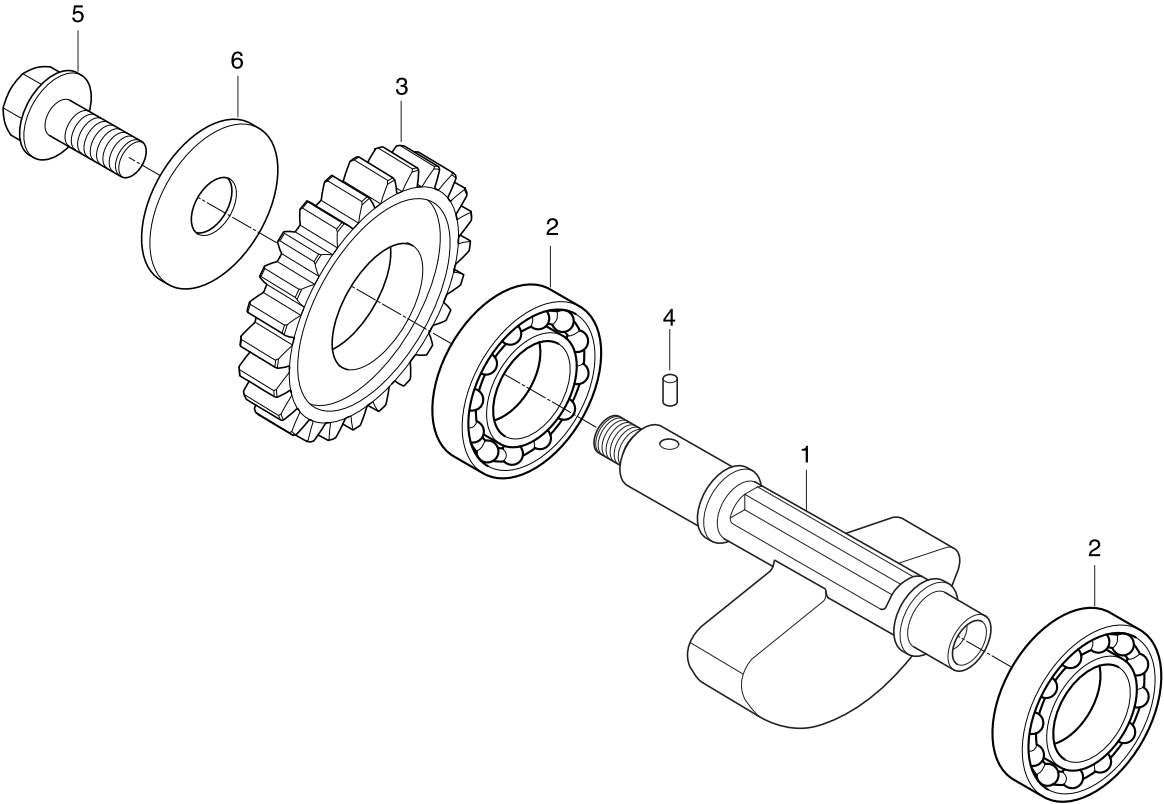


# FIG 8. STARTER CLUTCH

REF.				PARTS NAME	Q`TY	REMARKS	REC.Q'TY
NO.	7US02-UM	7US01-HSM	7CA01-CANADA				(PCS)
1	12611HN9100	12611HN9100	12611HN9100	GEAR, starter idle	1		
2	12612HP8900	12612HP8900	12612HP8900	SHAFT, sharter idle gear	1		
3	12614HP8900	12614HP8900	12614HP8900	CLUTCH, starter one way	1		5
4	12620HP8900HPA	12620HP8900HPA	12620HP8900HPA	GEAR COMP, starter clutch	1		
5	12621HP8900	12621HP8900	12621HP8900	GEAR, starter clutch	1		
6	07110-08168	07110-08168	07110-08168	BOLT, starter clutch	6		
7	09263H25002	09263H25002	09263H25002	BEARING, starter clutch gear	1		10
8	09180H13001	09180H13001	09180H13001	SPACER, starter idle gear	1		



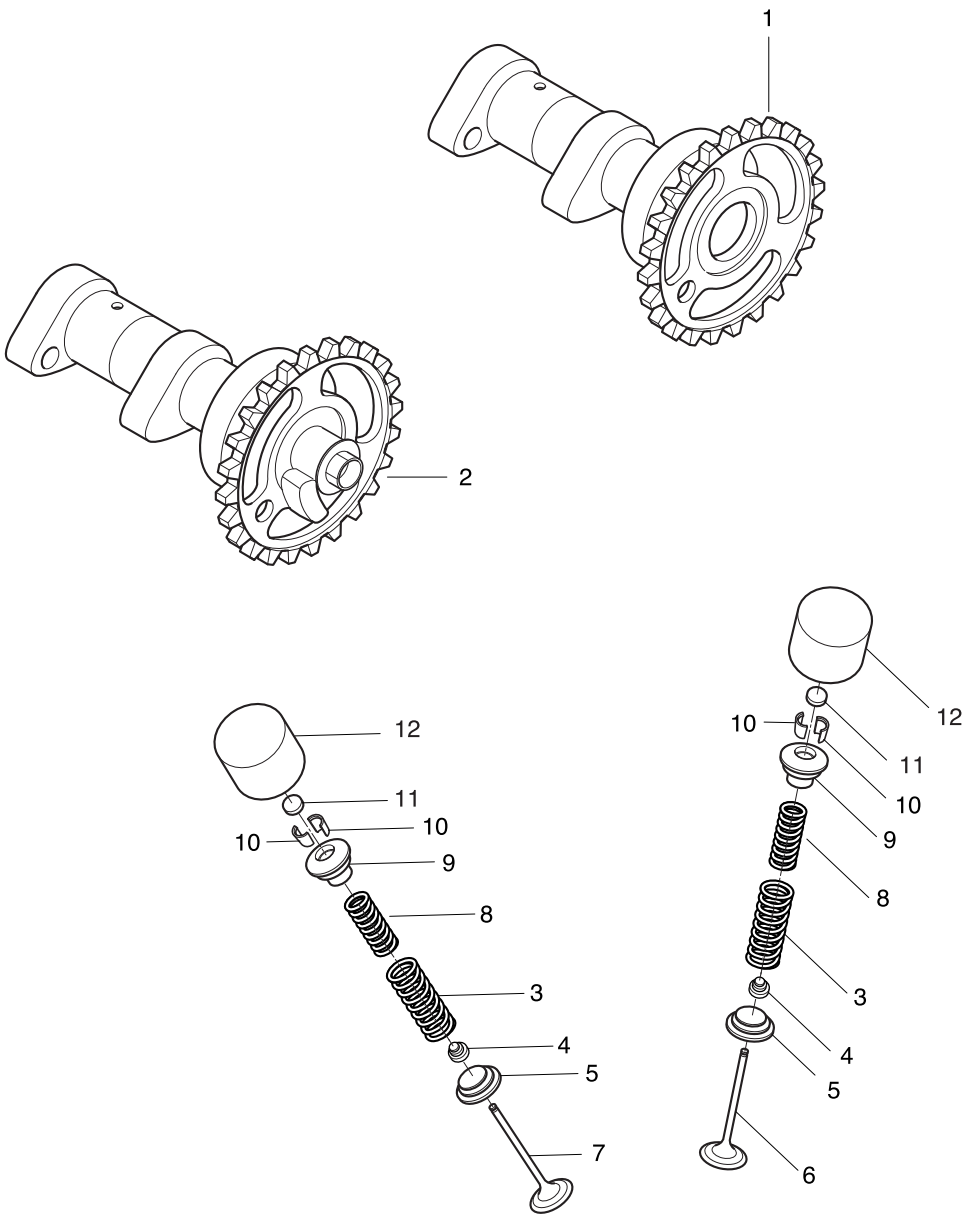
FIG.9



# FIG 9. BALANCE GEAR

REF.				PARTS NAME	Q`TY	REMARKS	REC.Q'TY
NO.	7US02-UM	7US01-HSM	7CA01-CANADA				(PCS)
1	12651HP8900	12651HP8900	12651HP8900	BALANCER, crank	1		6
2	08113-62040	08113-62040	08113-62040	BEARING, crank balancer	2		15
3	12660HP8900	12660HP8900	12660HP8900	GEAR, crank balancer drive	1		5
4	04221-04069	04221-04069	04221-04069	PIN, balancer drive	1		10
5	01107-10168	01107-10168	01107-10168	BOLT, balancer	1		
6	08211-10285	08211-10285	08211-10285	WASHER, balancer bolt	1		

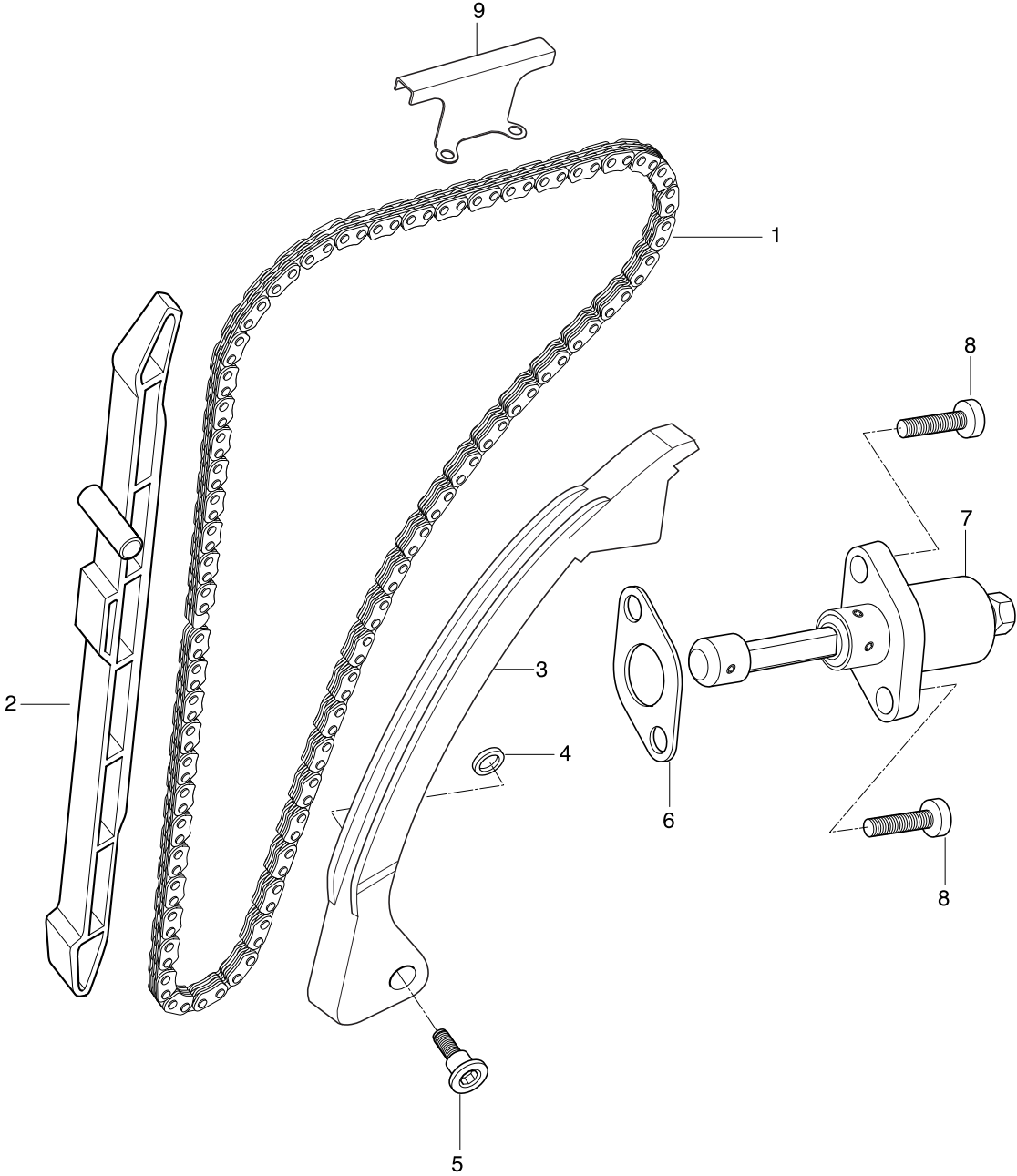
FIG 10



# FIG 10. CAMSHAFT / VALVE

REF.				PARTS NAME	Q'TY	REMARKS	REC.Q'TY
NO.	7US02-UM	7US01-HSM	7CA01-CANADA				(PCS)
1	12710HP8900HPA	12710HP8900HPA	12710HP8900HPA	CAMSHAFT ASS'Y, intake	1		5
2	12720HP8900HPA	12720HP8900HPA	12720HP8900HPA	CAMSHAFT ASS'Y, exhaust	1		5
3	12922HP8900	12922HP8900	12922HP8900	SPRING, valve outer	4		
4	09289-05008	09289-05008	09289-05008	SEAL, valve stem oil	4		
5	12933HP8900	12933HP8900	12933HP8900	SEAT, valve spring	4		
6	12911HP8900	12911HP8900	12911HP8900	VALVE, intake	2		
7	12912HP8900	12912HP8900	12912HP8900	VALVE, exhaust	2		
8	12921HP8900	12921HP8900	12921HP8900	SPRING, valve inner	4		
9	12931HP8900	12931HP8900	12931HP8900	RETAINER, valve spring	4		
10	12932HD6300	12932HD6300	12932HD6300	COTTER, valve	8		
11	12892HP8900275	12892HP8900275	12892HP8900275	SHIM, tappet	4		
12	12881HP8900	12881HP8900	12881HP8900	TAPPET,	4		

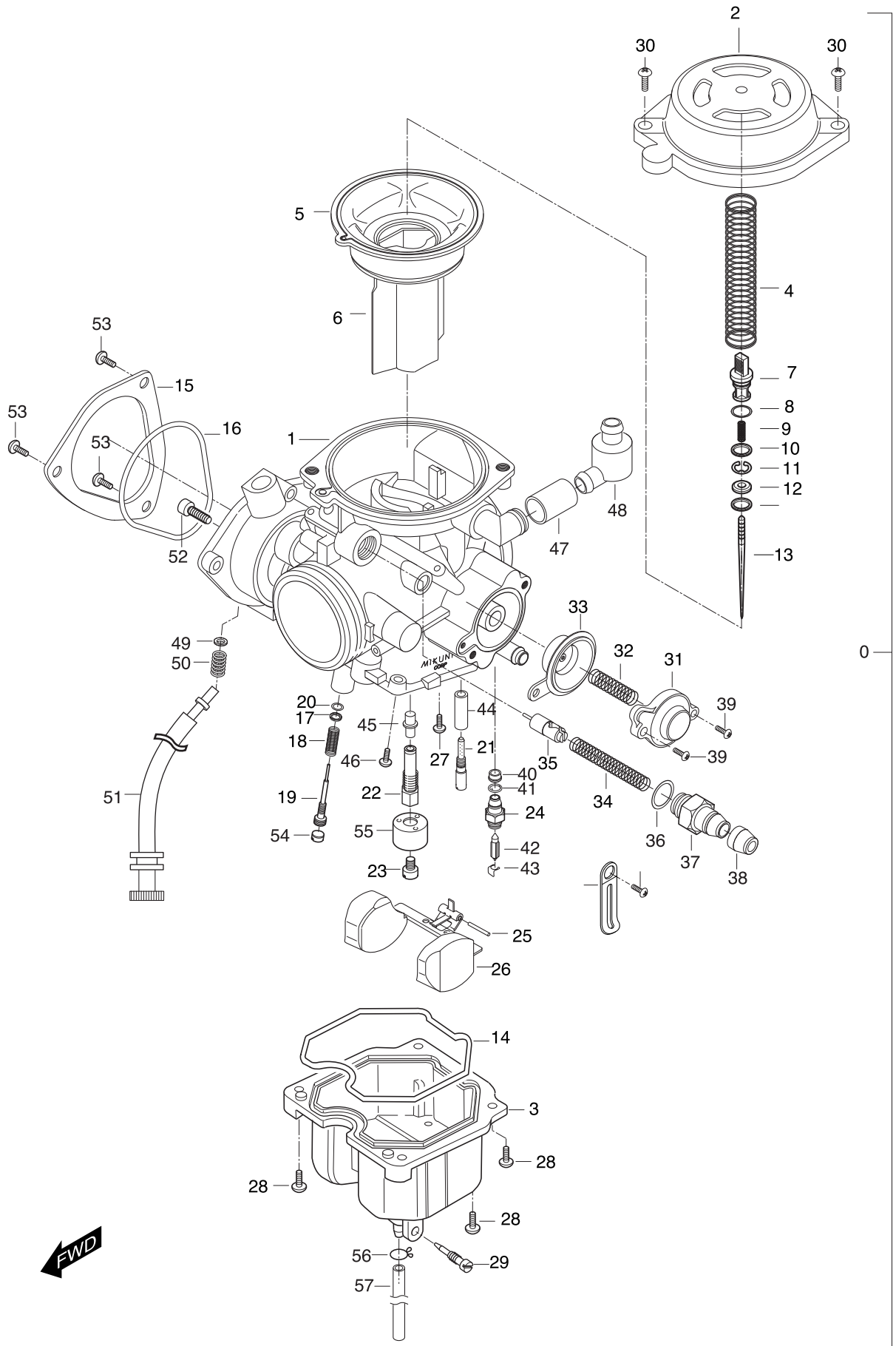
FIG 11



# FIG 11. CAM CHAIN

REF.	PARTS NAME			Q`TY	REMARKS	REC.Q'TY
NO.	7US02-UM	7US01-HSM	7CA01-CANADA			(PCS)
1	12760HP8900	12760HP8900	12760HP8900	CHAIN COMP, camshaft drive	2	8
2	12771HP8900	12771HP8900	12771HP8900	GUIDE, camchain NO.1	2	10
3	12811HN9101	12811HN9101	12811HN9101	TENSIONER, camchain	2	10
4	08211-06181	08211-06181	08211-06181	WASHER, camchain tensioner bolt	2	
5	12812H35C00	12812H35C00	12812H35C00	BOLT, camchain tensioner	1	
6	12837HP8900	12837HP8900	12837HP8900	GASKET, tensioner adjuster	1	10
7	12830HN9120	12830HN9120	12830HN9120	ADJUSTER ASS'Y, tensioner	1	10
8	07110-06208	07110-06208	07110-06208	BOLT, tensioner adjuster	2	
9	12782HP8900	12782HP8900	12782HP8900	GUIDE, camchain NO.2	1	

FIG 12

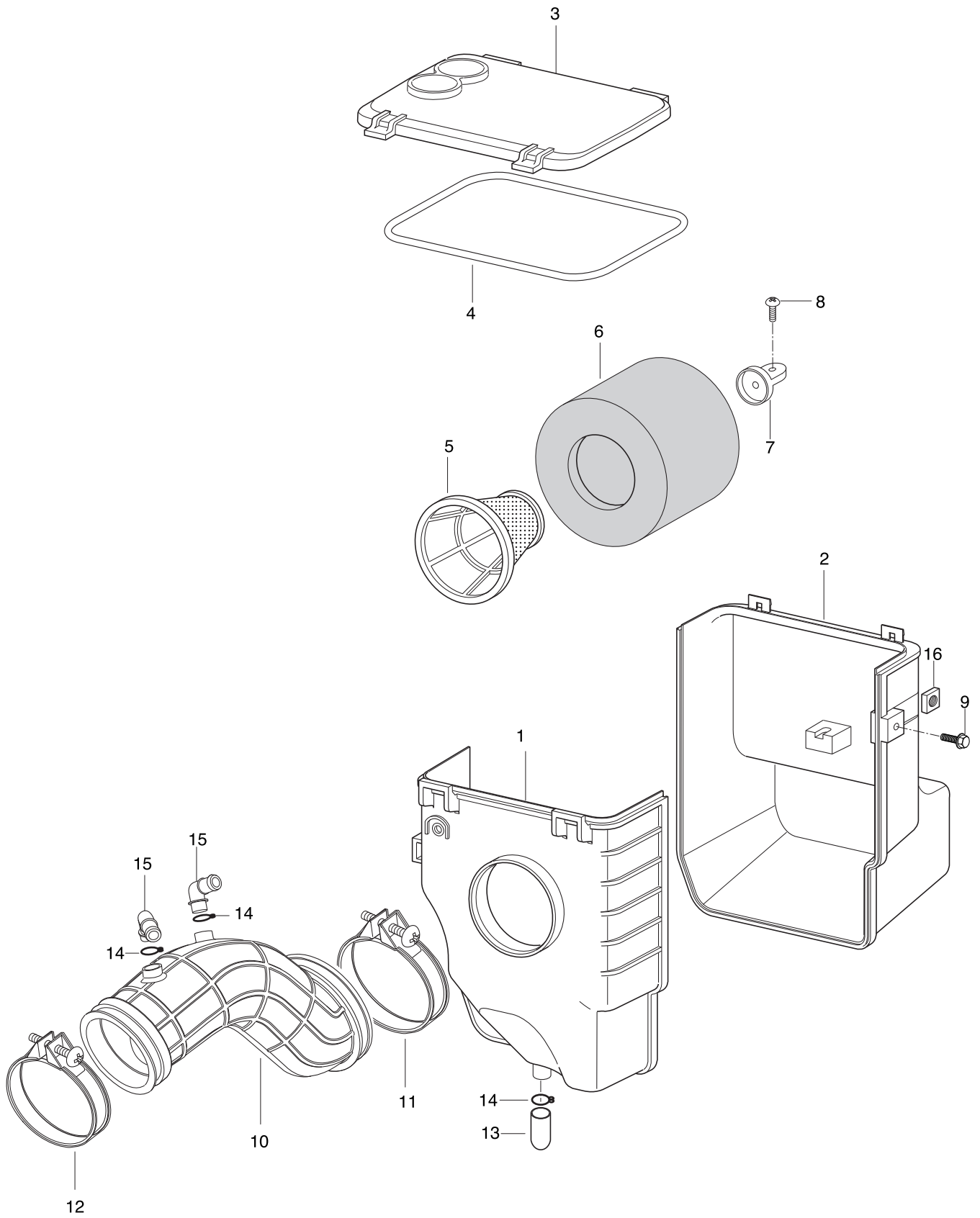


# FIG 12. CARBURETOR ASSY

REF.				PARTS NAME	Q`TY	REMARKS	REC.Q'TY
NO.	7US02-UM	7US01-HSM	7CA01-CANADA				(PCS)
0	13200HP8900	13200HP8900	13200HP8900	CARBURATOR ASS'Y	1		10



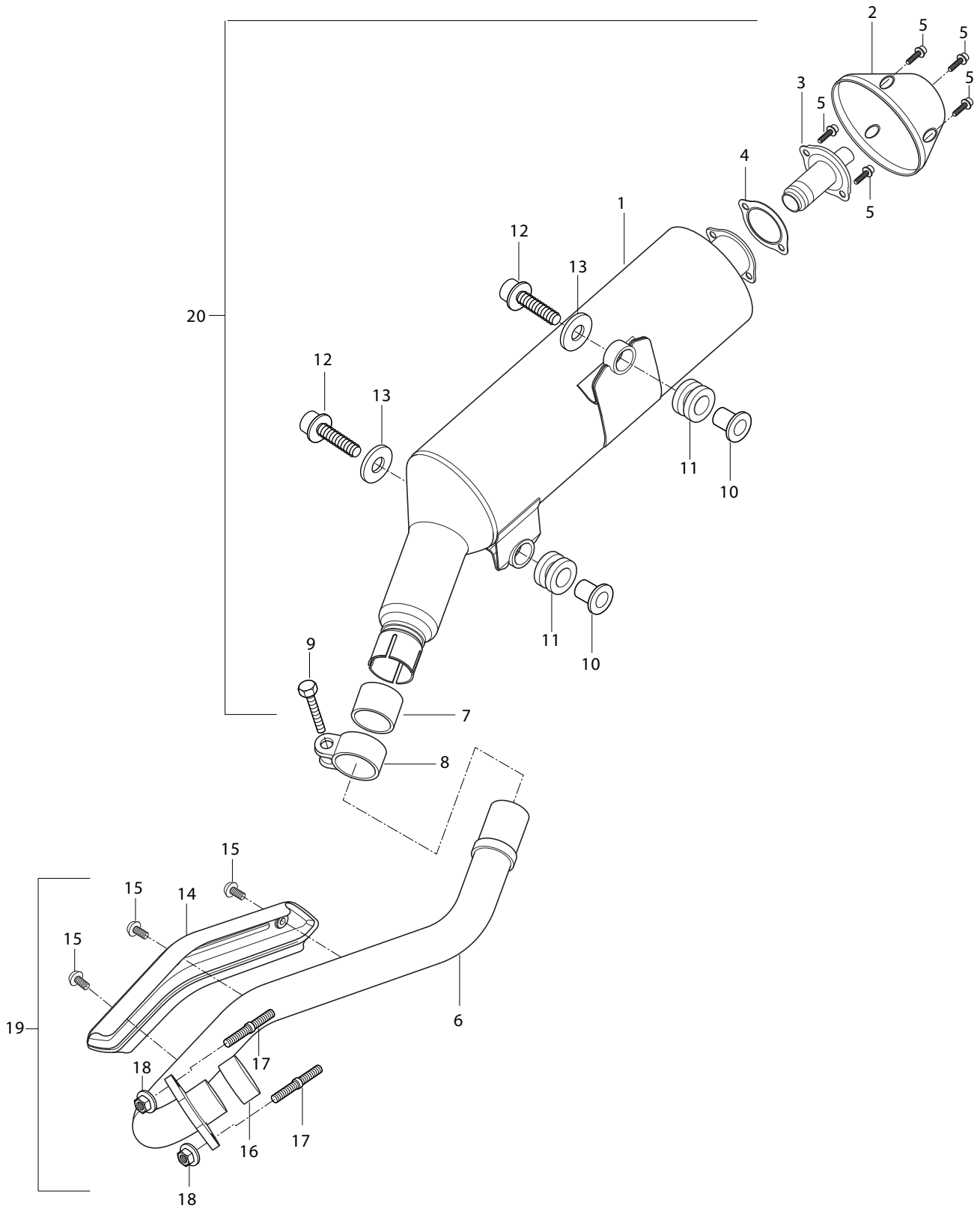
FIG 13



# FIG 13. AIR CLEANER & CHAMBER

REF.				PARTS NAME	Q'TY	REMARKS	REC.Q'TY
NO.	7US02-UM	7US01-HSM	7CA01-CANADA				(PCS)
0	13700H78960	13700H78960	13700H78960	CLEANER ASS'Y, air	1		5
1	13721HP8900	13721HP8900	13721HP8900	CASE, air cleaner front	1		
2	13722HP8900	13722HP8900	13722HP8900	CASE, air cleaner rear	1		
3	13741HP8900	13741HP8900	13741HP8900	CAP, air cleaner	1		
4	13746HP8900	13746HP8900	13746HP8900	GASKET, air cleaner	1		
5	13750HP8900	13750HP8900	13750HP8900	TRAP COMP, air cleaner	1		
6	13780HP8900	13780HP8900	13780HP8900	FILTER COMP, air cleaner	1		
7	13761HP8900	13761HP8900	13761HP8900	STOPPER, trap	1		
8	02142-06125	02142-06125	02142-06125	SCREW, air cleaner	1		
9	02142-06165	02142-06165	02142-06165	SCREW, air cleaner	3		
10	13881HP8900	13881HP8900	13881HP8900	TUBE, outlet	1		
11	09402-88207	09402-88207	09402-88207	CLAMP, outlet tube	1		
12	09402-68207	09402-68207	09402-68207	CLAMP, outlet tube No.2	1		
13	13895HF4500	13895HF4500	13895HF4500	PLUG, drain	1		
14	09401-14301	09401-14301	09401-14301	CLIP, drain plug	3		
15	13870HP8900	13870HP8900	13870HP8900	JOINT, breather hose	2		
16	09152H06120	09152H06120	09152H06120	NUT, air cleaner	4		

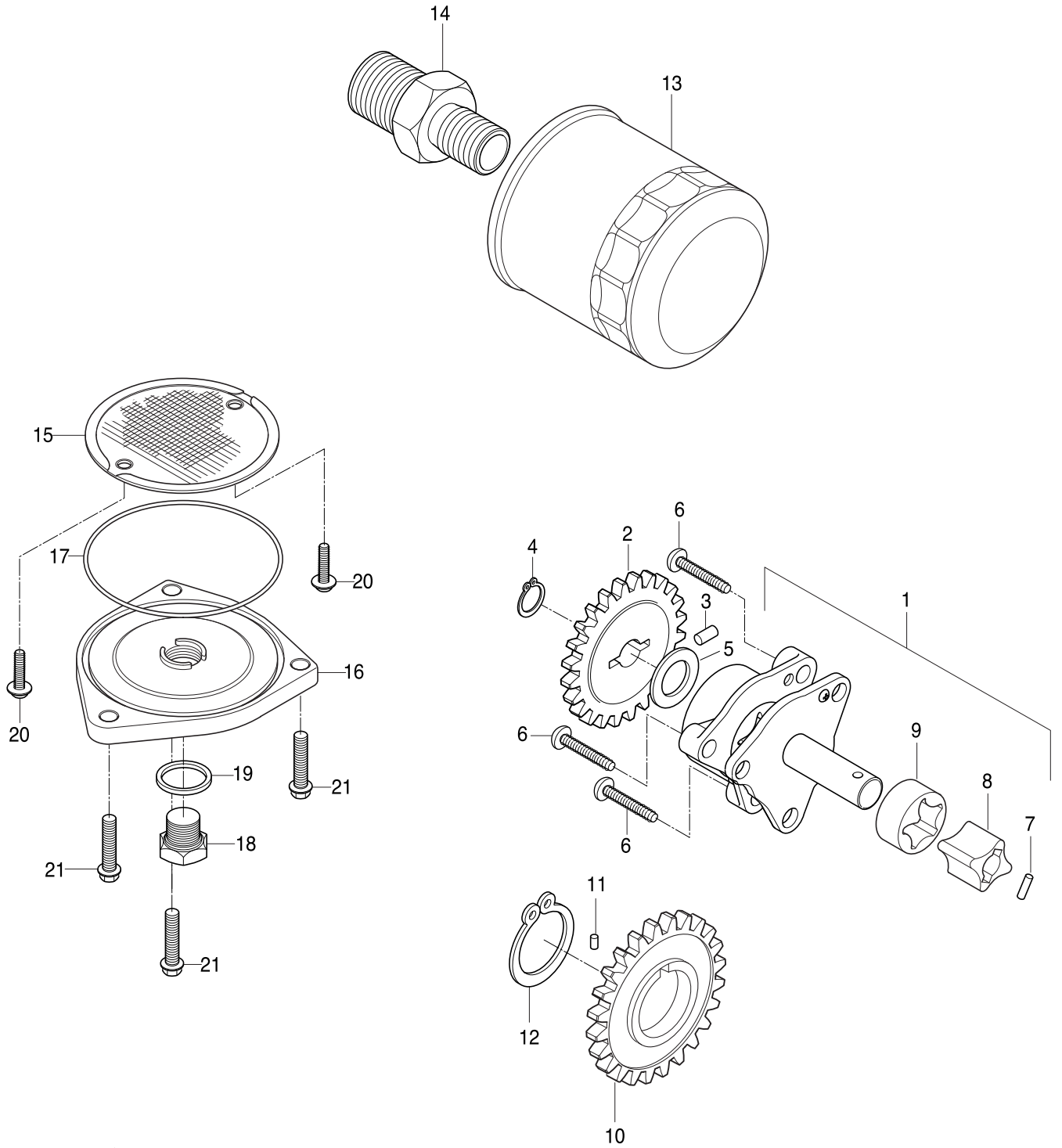
FIG 14



# FIG 14. MUFFLER

REF.	PARTS NAME			Q'TY	REMARKS	REC.Q'TY
NO.	7US02-UM	7US01-HSM	7CA01-CANADA			(PCS)
1	14310HP8900	14310HP8900	14310HP8900	BODY COMP, muffler	1	5
2	14790HP8900	14790HP8900	14790HP8900	COVER COMP, muffler rear	1	5
3				PIPE COMP, tail	1	5
4				GASKET, tail pipe	1	10
5	09106H06120	09106H06120	09106H06120	BOLT, muffler cover	5	
6	14150HP8900	14150HP8900	14150HP8900	PIPE COMP, exhaust	1	5
7	14773HP8900	14773HP8900	14773HP8900	GASKET, exhaust connector	1	10
8	14770HP8900	14770HP8900	14770HP8900	CONNECTOR COMP, exhaust pipe	1	5
9	07120-08208	07120-08208	07120-08208	BOLT, exhaust pipe connector	1	
10	41160HN9100	41160HN9100	41160HN9100	SPACER COMP, muffler support	2	
11	09320H12059	09320H12059	09320H12059	CUSHION, muffler support	2	
12	01517-08468	01517-08468	01517-08468	BOLT, muffler support	2	
13	09160-08002	09160-08002	09160-08002	WASHER, muffler support	2	
14	14280HP8900	14280HP8900	14280HP8900	COVER COMP, exhaust	1	
15	09106H06080	09106H06080	09106H06080	BOLT, exhaust cover	3	NOT SALE
16	14181HP8900	14181HP8900	14181HP8900	GASKET, exhaust pipe	1	10
17	01421-08258	01421-08258	01421-08258	BOLT, exhaust pipe stud	2	
18	08316-26886	08316-26886	08316-26886	NUT, exhaust pipe	2	
19	14150HP8900PLH	14150HP8900PLH	14150HP8900PLH	PIPE COMP, exhaust		
20	14301H78960PLH	14301H78960PLH	14301H78960PLH	BODY ASS'Y, muffler		5

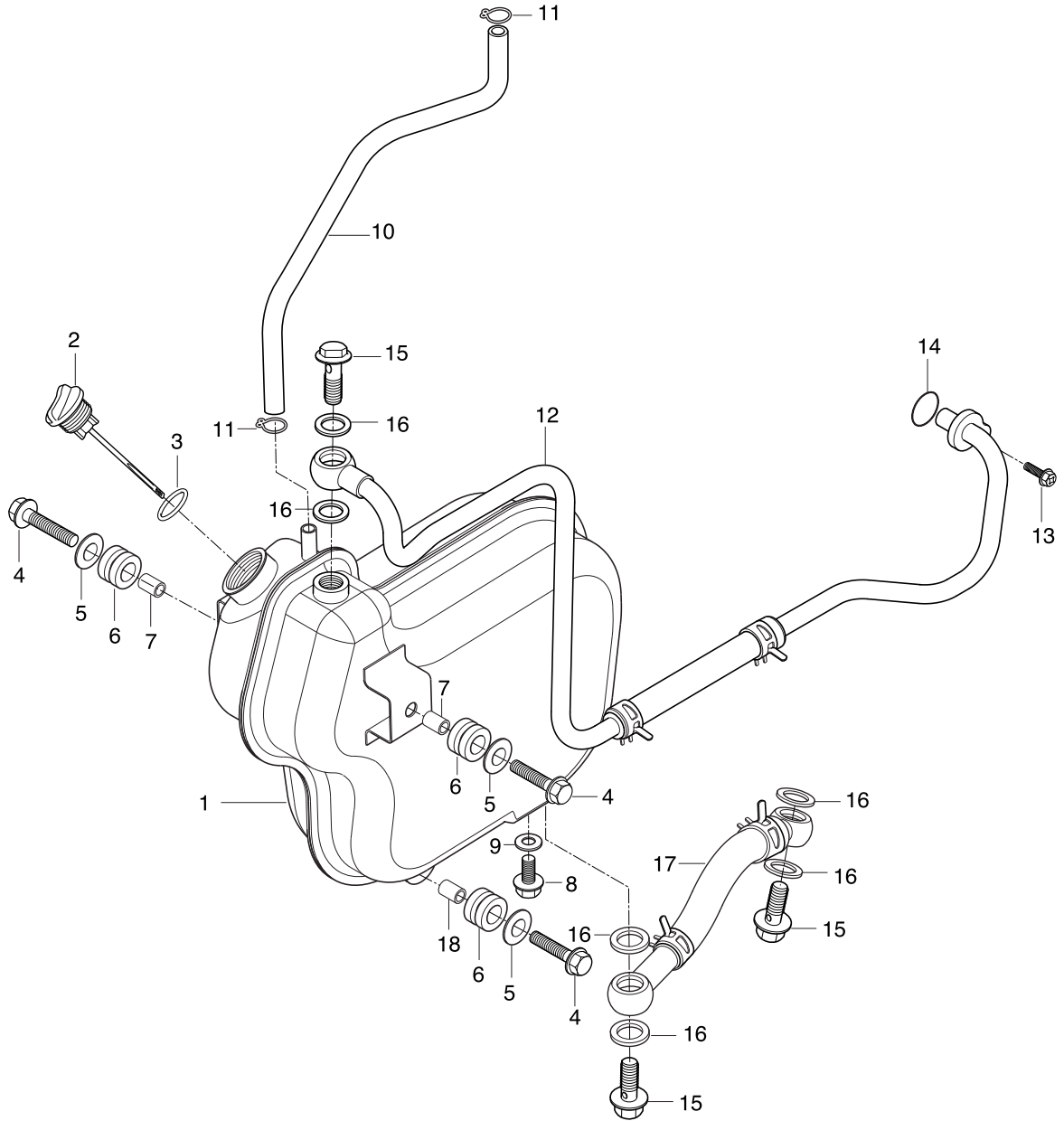
FIG 15



# FIG 15. OIL PUMP

REF.				PARTS NAME	Q'TY	REMARKS	REC.Q'TY
NO.	7US02-UM	7US01-HSM	7CA01-CANADA				(PCS)
1	16400HP8900	16400HP8900	16400HP8900	PUMP ASS'Y, oil	1		10
2	16331HN9104	16331HN9104	16331HN9104	GEAR, oil pump driven	1		10
3	09261H04001	09261H04001	09261H04001	PIN, oil pump driven gear	1		20
4	08331-31109	08331-31109	08331-31109	CIRCLIP, oil pump driven gear	1		
5	08221-10185	08221-10185	08221-10185	SHIM, oil pump driver gear	1		
6	02122-06258	02122-06258	02122-06258	SCREW, oil pump	3		
7	09262H04001	09262H04001	09262H04001	PIN, oil pump	1		
8	16441HN9100	16441HN9100	16441HN9100	ROTOR, oil pump inner No.1	1		
9	16442HN9100	16442HN9100	16442HN9100	ROTOR, oil pump inner No.2	1		
10	16321HN9103	16321HN9103	16321HN9103	GEAR, oil pump driven	1		
11	09261-06001	09261-06001	09261-06001	PIN, oil pump driven gear	1		
12	08331-31389	08331-31389	08331-31389	CIRCLIP, oil pump driven gear	1		
13	16510HP8900HAS	16510HP8900HAS	16510HP8900HAS	FILTER ASS'Y, engine oil	1		200
14	09362H20001	09362H20001	09362H20001	UNION, engine oil filter	1		
15	16520-05202	16520-05202	16520-05202	STRAINER COMP, engine oil	1		
16	16523-05200	16523-05200	16523-05200	CAP, oil strainer	1		10
17	09280-60005	09280-60005	09280-60005	O-RING, oil strainer cap	1		200
18	09247-14002	09247-14002	09247-14002	PLUG, oil drain	1		
19	09168H14003	09168H14003	09168H14003	GASKET, drain plug	1		
20	09128H05005	09128H05005	09128H05005	SCREW, engine oil strainer	2		
21	01547-06208	01547-06208	01547-06208	BOLT, oil strainer cap	3		

FIG.16

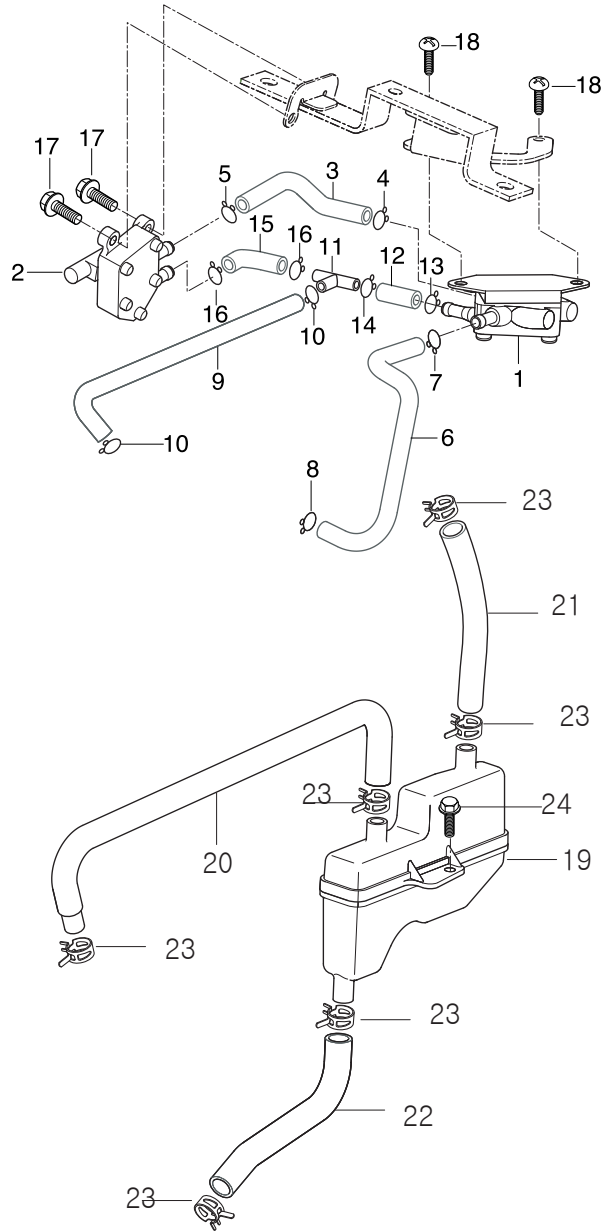


# FIG 16. OIL TANK

REF.				PARTS NAME	Q'TY	REMARKS	REC.Q'TY
NO.	7US02-UM	7US01-HSM	7CA01-CANADA				(PCS)
1	16610HP8900	16610HP8900	16610HP8900	TANK COMP, oil	1		10
2	11971HP8900	11971HP8900	11971HP8900	GAUGE, oil level	1		10
3	09280H17003	09280H17003	09280H17003	O-RING, oil level gauge	1		10
4	01104-06258	01104-06258	01104-06258	BOLT, oil tank	3		
5	09160-06006	09160-06006	09160-06006	WASHER, oil tank	3		
6	09320-10015	09320-10015	09320-10015	CUSHION, oil tank	3		
7	09180-06006	09180-06006	09180-06006	SPACER, oil tank	2		
8	01514-08128	01514-08128	01514-08128	BOLT, oil drain	1		
9	09168-08008	09168-08008	09168-08008	GASKET, oil drain	1		10
10	16631HP8900	16631HP8900	16631HP8900	HOSE, oil tank overflow	1		
11	09401-10401	09401-10401	09401-10401	CLIP, oil tank overflow hose	2		
12	16460HP8900	16460HP8900	16460HP8900	HOSE COMP, oil No.1	1		10
13	07110-06168	07110-06168	07110-06168	BOLT, oil hose No.1	1		
14	09280-10006	09280-10006	09280-10006	O-RING, oil hose No.1	1		10
15	09360H12007	09360H12007	09360H12007	BOLT, oil tank hose union	3		
16	09168-14011	09168-14011	09168-14011	GASKET, oil tank hose	6		15
17	16470HP8900	16470HP8900	16470HP8900	HOSE COMP, oil No.2	1		
18	09180-06030	09180-06030	09180-06030	SPACER, oil tank	1		



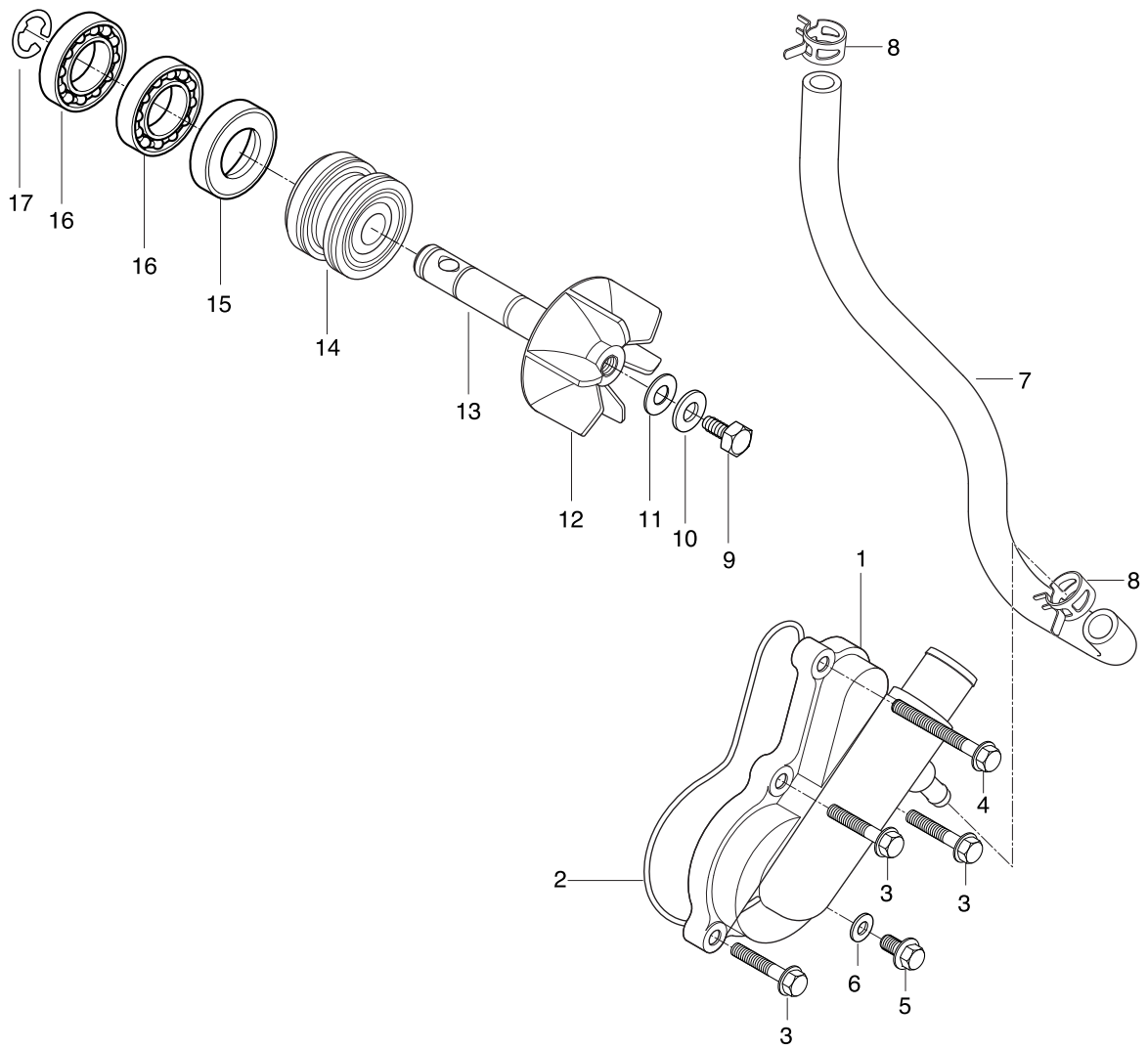
FIG.17



# FIG 17. FUEL PUMP

REF.	PARTS NAME			Q'TY	REMARKS	REC.Q'TY
NO.	7US02-UM	7US01-HSM	7CA01-CANADA			(PCS)
1	15100HG5100	15100HG5100	15100HG5100	PUMP ASS'Y, fuel	1	10
2	44300HP8900	44300HP8900	44300HP8900	COCK ASS'Y, fuel	1	10
3	44199HF1602	44199HF1602	44199HF1602	HOSE, fuel pump inlet	1	
4	09401H11401	09401H11401	09401H11401	CLIP, fuel pump inlet hose No.1	1	
5	09401-10401	09401-10401	09401-10401	CLIP, fuel pump inlet hose No.2	1	
6	15821HP8900	15821HP8900	15821HP8900	HOSE, fuel pump outlet	1	
7	09401H11401	09401H11401	09401H11401	CLIP, fuel pump outlet hose No.1	1	
8	09401-10401	09401-10401	09401-10401	CLIP, fuel pump outlet hose No.2	1	
9	15851HP8901	15851HP8901	15851HP8901	HOSE, intake pipe RH	1	
10	09401H08401	09401H08401	09401H08401	CLAMP, intake pipe RH hose	2	
11	09367H05001	09367H05001	09367H05001	NIPPLE, fuel pump joint	1	
12	15831HP8900	15831HP8900	15831HP8900	HOSE, fuel pump vacuum	1	
13	09401-09101	09401-09101	09401-09101	CLIP, fuel pump vacuum hose No.1	1	
14	09401-08401	09401-08401	09401-08401	CLIP, fuel pump vacuum hose No.2	1	
15	44197HP8900	44197HP8900	44197HP8900	HOSE, fuel cock vacuum	1	
16	09401-08401	09401-08401	09401-08401	CLIP, fuel cock vacuum hose	2	
17	02112-06166	02112-06166	02112-06166	BOLT, fuel cock	2	
18	01517-06206	01517-06206	01517-06206	BOLT, fuel pump	2	
19	16810HP8900	16810HP8900	16810HP8900	TANK ASS'Y, breather oil return	1	10
20	16821HP8900	16821HP8900	16821HP8900	HOSE, breather oil return c/head	1	
21	16841HP8900	16841HP8900	16841HP8900	HOSE, breather oil return tube	1	
22	16831HP8900	16831HP8900	16831HP8900	HOSE, breather oil return cylinder	1	
23	09401H14401	09401H14401	09401H14401	CLAMP, breather oil return	6	
24	02112-06128	02112-06128	02112-06128	BOLT, breather oil return	1	
<b>DELETED 2ND AIR VALVE</b>						

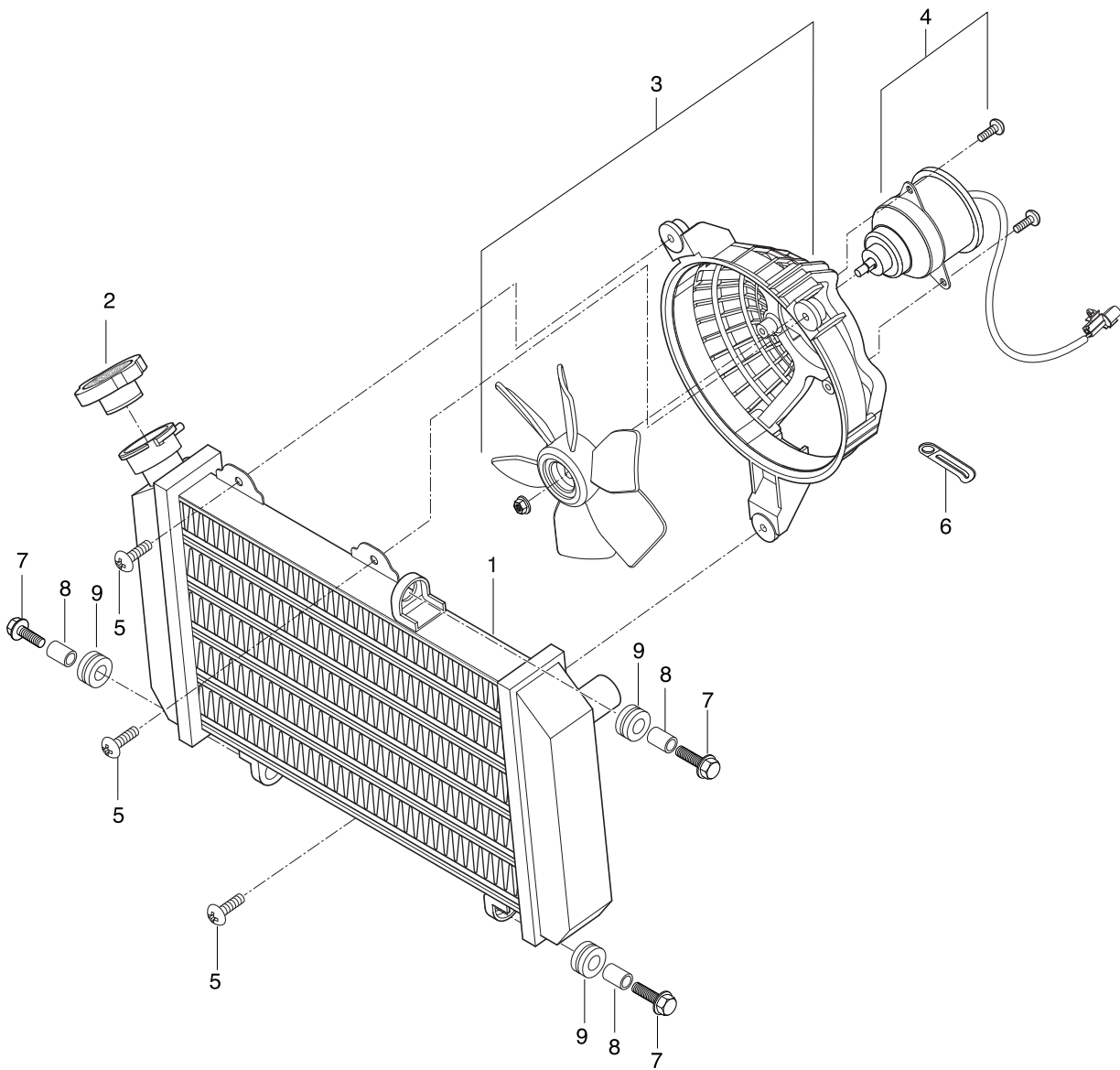
FIG.18



# FIG 18. WATER PUMP

REF.				PARTS NAME	Q'TY	REMARKS	REC.Q'TY
NO.	7US02-UM	7US01-HSM	7CA01-CANADA				(PCS)
1	17410HP8900	17410HP8900	17410HP8900	CASE COMP, water pump	1		20
2	17461HP8900	17461HP8900	17461HP8900	O-RING, water pump case	1		20
3	01547-06258	01547-06258	01547-06258	BOLT, water pump case	3		
4	01547-06708	01547-06708	01547-06708	BOLT, water pump case	1		
5	01517-06128	01517-06128	01517-06128	PULG, water drain	1		
6	09168H06019	09168H06019	09168H06019	GASKET, water drain plug	1		
7	17641HP8900	17641HP8900	17641HP8900	HOSE, thermostat bypass	1		
8	09401H13401	09401H13401	09401H13401	CLAMP, thermostat bypass hose	2		
9	09100H06001	09100H06001	09100H06001	BOLT, impeller	1		
10	09164H06001	09164H06001	09164H06001	WASHER, impeller rock	1		
11	09168H06001	09168H06001	09168H06001	GASKET, impeller	1		20
12	17441HN9100	17441HN9100	17441HN9100	IMPELLER, water pump	1		
13	17432HP8900	17432HP8900	17432HP8900	SHAFT, water pump	1		
14	17470HP8900	17470HP8900	17470HP8900	SEAL, mechanical	1		
15	09283H10001	09283H10001	09283H10001	SEAL, oil	1		25
16	08113-69000	08113-69000	08113-69000	BEARING, water pump	2		
17	08332-11086	08332-11086	08332-11086	E-RING, water pump	1		

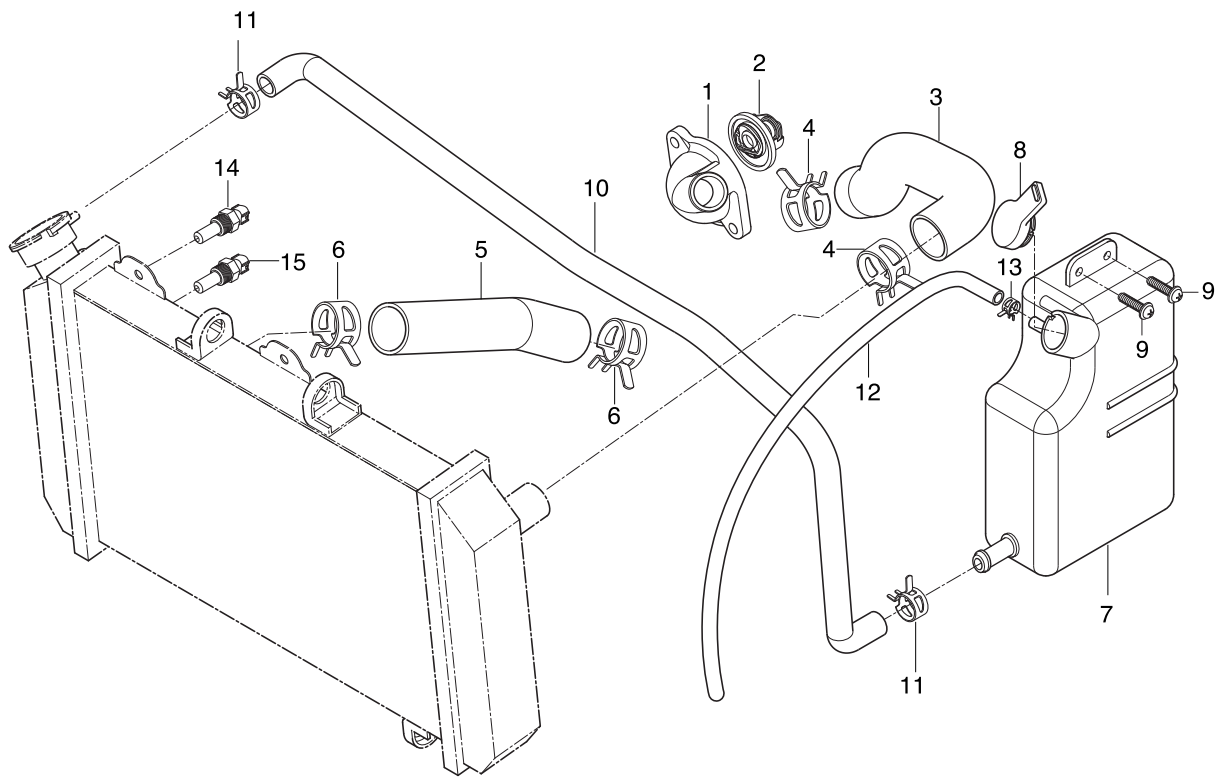
FIG 19



# FIG 19. RADIATOR

REF.				PARTS NAME	Q`TY	REMARKS	REC.Q'TY
NO.	7US02-UM	7US01-HSM	7CA01-CANADA				(PCS)
1	17710HP8900	17710HP8900	17710HP8900	RADIATOR COMP, water	1		10
2	17720HN9100	17720HN9100	17720HN9100	CAP COMP, radiator	1		
3	17800HN9102	17800HN9102	17800HN9102	FAN ASS'Y, radiator	1		10
4	17810HN9100	17810HN9100	17810HN9100	MOTOR ASS'Y, radiator fan	1		10
5	02142-05165	02142-05165	02142-05165	BOLT, radiator fan	3		
6	09404-06401	09404-06401	09404-06401	CLAMP, radiator fan	1		
7	09116-06143	09116-06143	09116-06143	BOLT, radiator	3		
8	09180-06030	09180-06030	09180-06030	SPACER, radiator	3		
9	09320-10015	09320-10015	09320-10015	CUSHION, radiator	3		

FIG.20



# FIG 20. RADIATOR HOSE

REF.				PARTS NAME	Q'TY	REMARKS	REC.Q'TY
NO.	7US02-UM	7US01-HSM	7CA01-CANADA				(PCS)
1	17631HP8900	17631HP8900	17631HP8900	CAP, thermostat connector	1		10
2	17610HP8900	17610HP8900	17610HP8900	THERMOSTAT COMP	1		
3	17741HP8900	17741HP8900	17741HP8900	HOSE, radiator inlet	1		
4	09401H26402	09401H26402	09401H26402	CLAMP, radiator inlet hose	2		
5	17751HP8900	17751HP8900	17751HP8900	HOSE, radiator inlet	1		
6	09401H26402	09401H26402	09401H26402	CLAMP, radiator inlet hose	2		
7	17911HP8900	17911HP8900	17911HP8900	TANK COMP, reserver	1		
8	17921HN9100	17921HN9100	17921HN9100	CAP, reserver tank	1		
9	09136-06017	09136-06017	09136-06017	SCREW, reserver tank	2		
10	17981HP8900	17981HP8900	17981HP8900	HOSE, radiator tank outlet	1		
11	09401H11403	09401H11403	09401H11403	CLAMP, reserver tank hose	2		
12	17982HP8900	17982HP8900	17982HP8900	HOSE, reserver tank overflow	1		
13	09401H11403	09401H11403	09401H11403	CLAMP, reserver tank hose	1		
14	17860HP8900	17860HP8900	17860HP8900	SWITCH ASSY, water temp	1		5
15	17860HN9100	17860HN9100	17860HN9100	SWITCH ASSY, thermo	1		

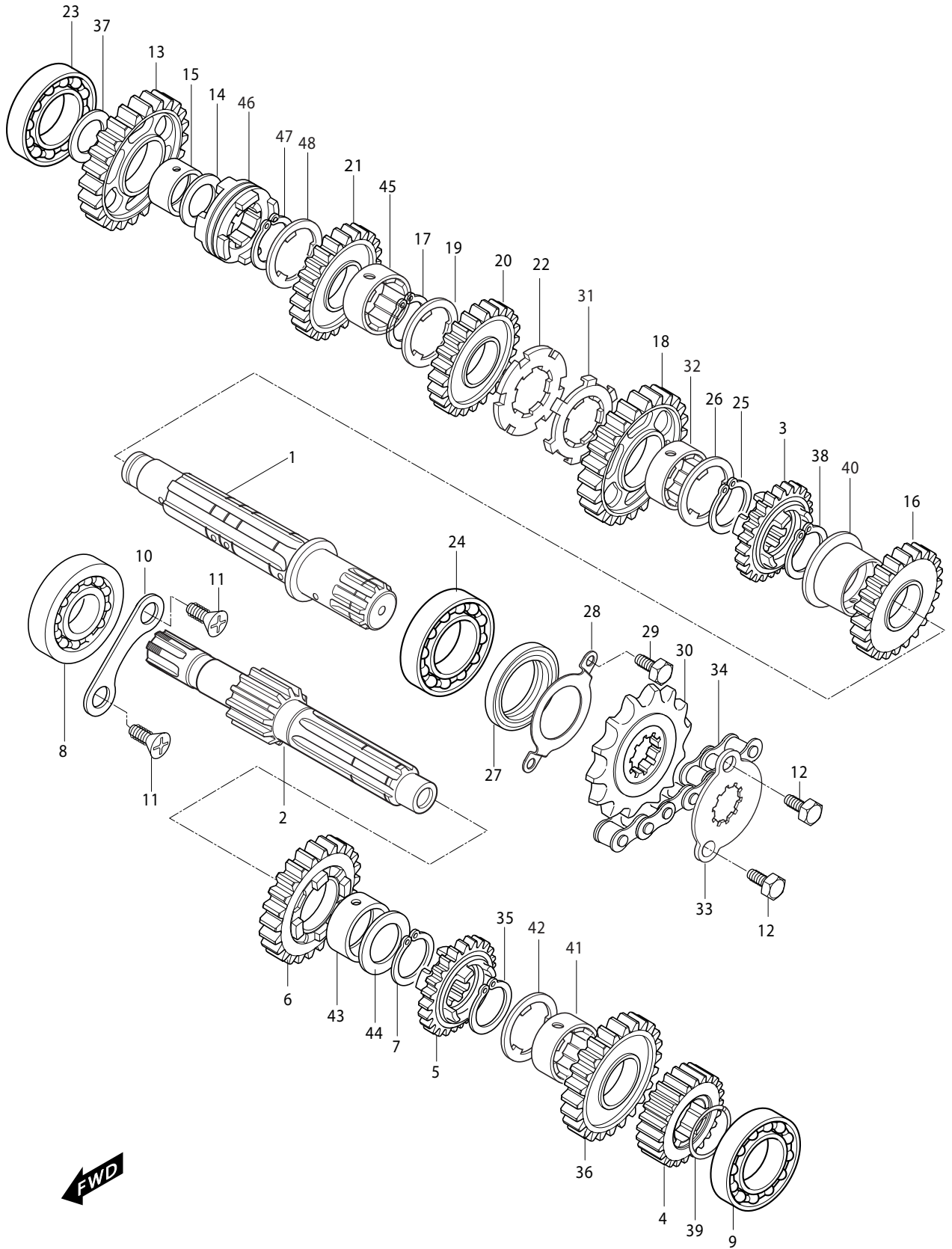




# FIG 21. CLUTCH ASSY

REF.	PARTS NAME			Q'TY	REMARKS	REC.Q'TY
NO.	7US02-UM	7US01-HSM	7CA01-CANADA			(PCS)
1	21200HP8900HPA	21200HP8900HPA	21200HP8900HPA	GEAR ASS'Y, primary driven	1	5
2	09160H20002	09160H20002	09160H20002	WASHER, clutch sleeve hub thrust	1	20
3	21411HN9102	21411HN9102	21411HN9102	HUB, clutch sleeve	1	5
4	09160H20002	09160H20002	09160H20002	WASHER, primary driven gear thrust	1	5
5	09140H20001	09140H20001	09140H20001	NUT, clutch sleeve hub	1	5
6	23114HN9100	23114HN9100	23114HN9100	ROD, clutch push	2	10
7	23110HP8900	23110HP8900	23110HP8900	ROD COMP, clutch push M	1	10
8	09136-06017	09136-06017	09136-06017	STOPPER, clutch release camshaft oil s	1	10
9	21441HN9100	21441HN9100	21441HN9100	PLATE, clutch drive	6	50
10	21451HN9100	21451HN9100	21451HN9100	PLATE, clutch driven	6	50
11	23121-38201	23121-38201	23121-38201	PIECE, clutch push	1	10
12	09134-06010	09134-06010	09134-06010	SCREW, clutch release adjuster	1	10
13	08310-22068	08310-22068	08310-22068	NUT, clutch release adjust	1	10
14	09263H15001	09263H15001	09263H15001	BEARING, clutch release thrust	1	10
15	09160-15045	09160-15045	09160-15045	WASHER, clutch release thrust	1	10
16	21462HN9101	21462HN9101	21462HN9101	DISK, clutch pressure	1	8
17	09440H20003	09440H20003	09440H20003	SPRING, clutch	6	10
18	21471HN9102	21471HN9102	21471HN9102	RETAINER, clutch spring	6	10
19	09100H06009	09100H06009	09100H06009	BOLT, clutch spring	6	10
20	23271HP8900	23271HP8900	23271HP8900	ARM, clutch release	1	10
21	09282H12002	09282H12002	09282H12002	OIL SEAL, clutch release camshaft	1	30
22	08211-12281	08211-12281	08211-12281	THRUST WASHER, clutch release car	1	10
23	23122HP8900	23122HP8900	23122HP8900	SHAFT, clutch release cam	1	10
24	01107-06208	01107-06208	01107-06208	BOLT, clutch release arm	1	10
25	21442HN9100	21442HN9100	21442HN9100	PLATE, clutch driven No.2	1	10
26	21443HN9100	21443HN9100	21443HN9100	WASHER, clutch wave	1	10
27	21444HN9100	21444HN9100	21444HN9100	SEAT, clutch wave washer	1	10
28	21251HP8900	21251HP8900	21251HP8900	SPACER, primary driven gear	1	10

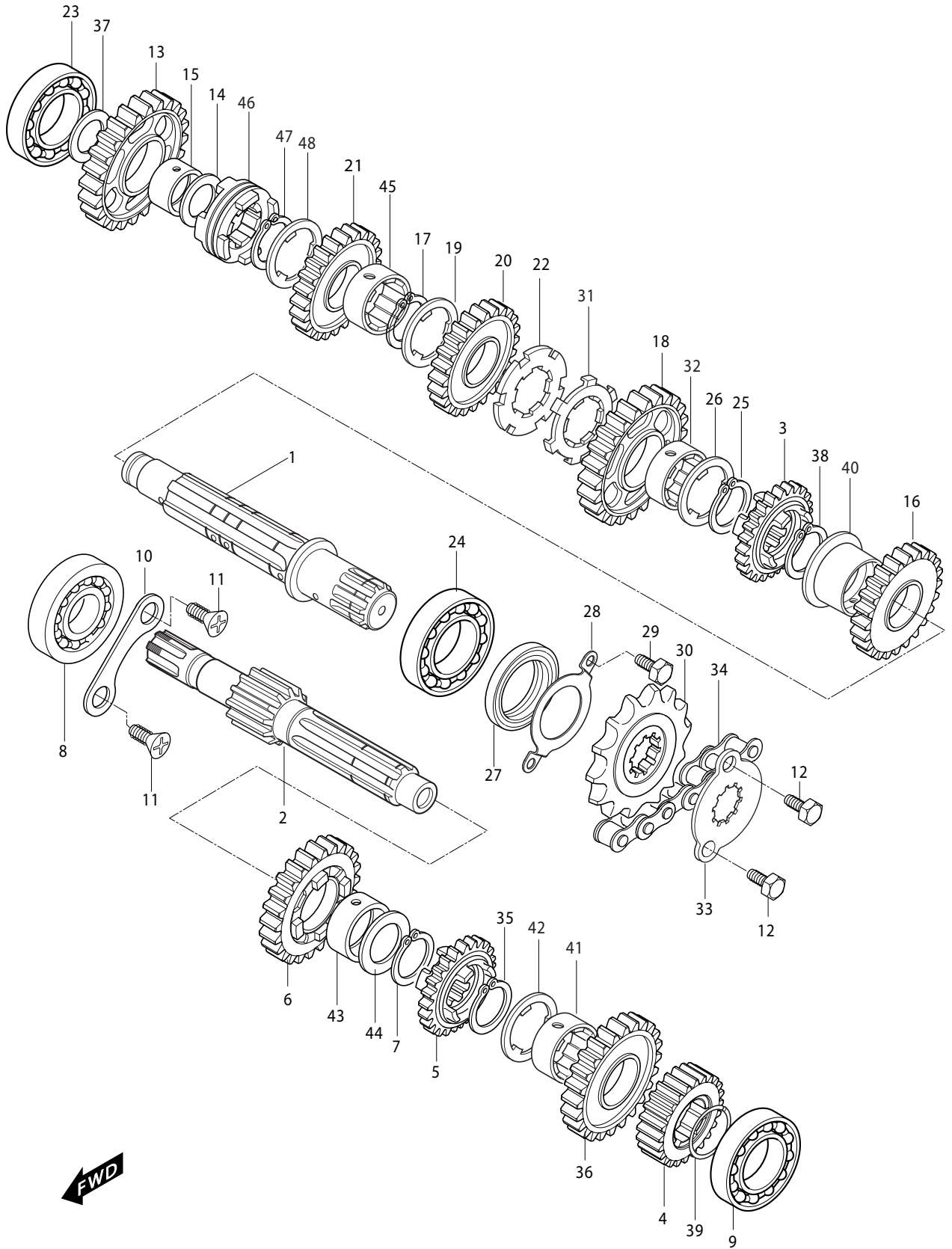
FIG.22



# FIG 22. TRANSMISSION

REF.	PARTS NAME			Q'TY	REMARKS	REC.Q'TY
NO.	7US02-UM	7US01-HSM	7CA01-CANADA			(PCS)
0	24200HP8900HPA	24200HP8900HPA	24200HP8900HPA	MISSION GR SET	1	
1	24130SP8900HPA	24130SP8900HPA	24130SP8900HPA	SHAFT COMP, drive	1	5
2	24120HP8900HPA	24120HP8900HPA	24120HP8900HPA	SHAFT ASS'Y, counter	1	5
3	24341HP8900	24341HP8900	24341HP8900	GEAR, 4th driven	1	8
4	24221HP8900	24221HP8900	24221HP8900	GEAR, 2nd drive	1	8
5	24231HP8900	24231HP8900	24231HP8900	GEAR, 3rd drive	1	8
6	24251HP8900	24251HP8900	24251HP8900	GEAR, 5th drive	1	8
7	09380H25001	09380H25001	09380H25001	CIRCLIP, 5th drive gear	1	10
8	08113-63040	08113-63040	08113-63040	BEARING, counter shaft R(#6304)	1	10
9	08123-62030	08123-62030	08123-62030	BEARING, counter shaft L	1	10
10	24741HP8900	24741HP8900	24741HP8900	RETAINER, counter shaft bearing	1	10
11	02112-06128	02112-06128	02112-06128	SCREW, counter shaft bearing rtng	2	10
12	01517-06128	01517-06128	01517-06128	BOLT, engine sprocket	2	10
13	24311HP8900	24311HP8900	24311HP8900	GEAR, 1st driven	1	10
14	09181H20001	09181H20001	09181H20001	SHIM, 1st driven gear	1	10
15	24312HP8900	24312HP8900	24312HP8900	BUSH, 1st driven gear	1	10
16	24321HP8900	24321HP8900	24321HP8900	GEAR, 2nd drive	1	10
17	09380H25001	09380H25001	09380H25001	CIRCLIP, 4th driven gear	1	10
18	24331HP8900	24331HP8900	24331HP8900	GEAR, 3rd driven	1	10
19	09167H25001	09167H25001	09167H25001	THRUST WASHER, 4th driven gear	1	10
20	24351HP8900	24351HP8900	24351HP8900	GEAR, 5th driven	1	10
21	24521HP8900	24521HP8900	24521HP8900	GEAR, reverse driven	1	10
22	09167H25002	09167H25002	09167H25002	WASHER, 3rd & 4th driven gear th	1	10
23	08113-62030	08113-62030	08113-62030	BEARING, drive shaft R	1	10
24	08123-63050	08123-63050	08123-63050	BEARING, drive shaft L	1	10
25	09380H25001	09380H25001	09380H25001	CIRCLIP, 3rd driven gear	1	10
26	09167H25001	09167H25001	09167H25001	THRUST WASHER, 3rd driven gear	1	10
27	09283H25003	09283H25003	09283H25003	OIL SEAL, drive shaft	1	30
28	24751HP8900	24751HP8900	24751HP8900	RETAINER, drive shaft oil seal	1	5

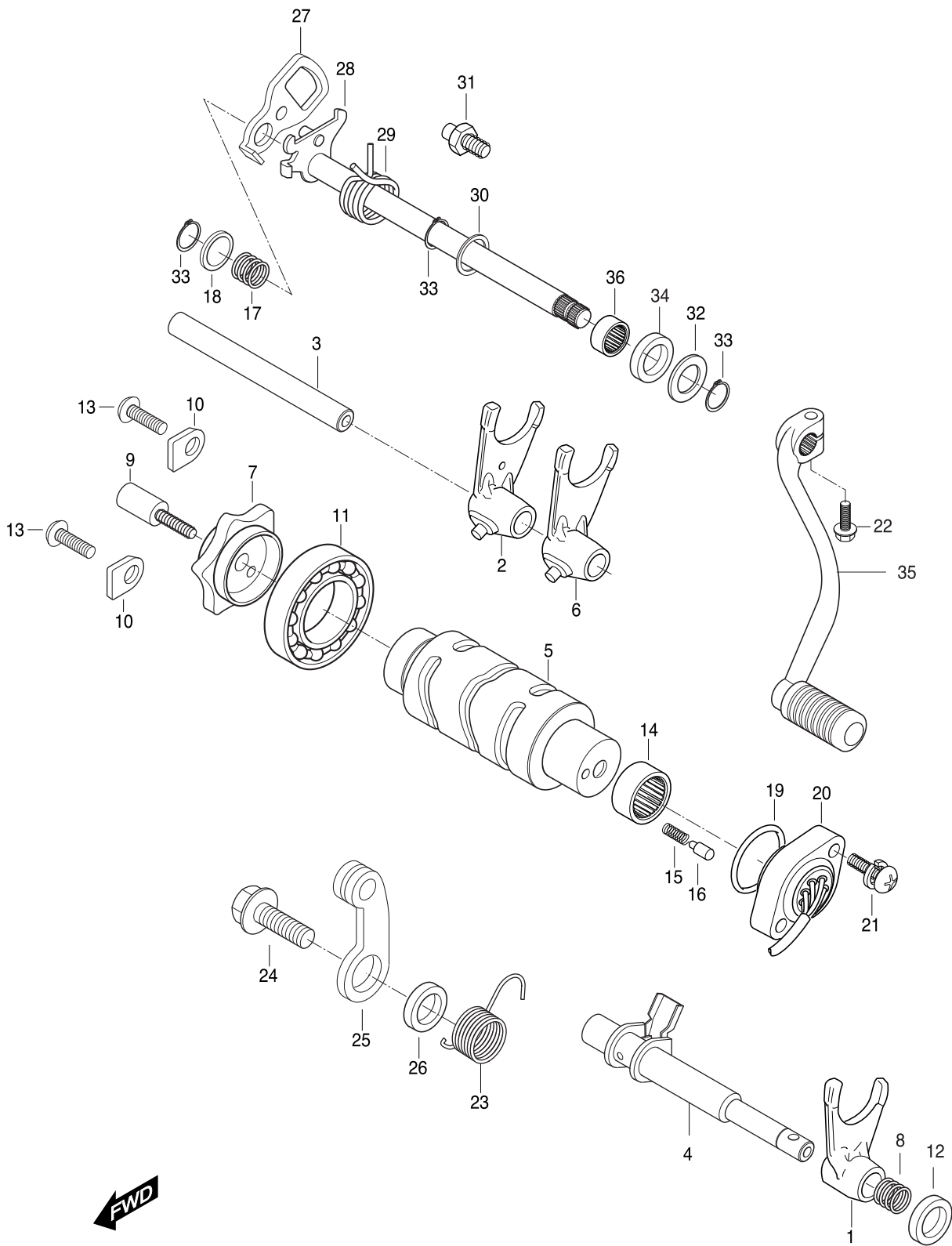
FIG.22



# FIG 22. TRANSMISSION

REF.				PARTS NAME	Q'TY	REMARKS	REC.Q'TY
NO.	7US02-UM	7US01-HSM	7CA01-CANADA				(PCS)
29	01107-06106	01107-06106	01107-06106	BOLT, drive shaft oil seal retainer	2		10
30	27511HP8900	27511HP8900	27511HP8900	SPROCKET COMP, engine 14T(#520)	1		30
31	09167H25003	09167H25003	09167H25003	WASHER, thrust washer lock	1		10
32	24332HN9100	24332HN9100	24332HN9100	BUSH, 3rd driven gear	1		10
33	27512HP8900	27512HP8900	27512HP8900	LOCK WASHER, engine sprocket	1		10
34	27600HP8900	27600HP8900	27600HP8900	CHAIN ASS'Y, drive 108L(#525)	1		10
35	09380H25001	09380H25001	09380H25001	.CILCLIP, 6th driven gear	1		10
36	24241HP8900	24241HP8900	24241HP8900	GEAR, 4th drive	1		10
37	09181H17001	09181H17001	09181H17001	SHIM, drive shaft	1		10
38	09380H25001	09380H25001	09380H25001	CILCLIP, 2nd driven gear	1		10
39	09380H22001	09380H22001	09380H22001	CILCLIP, 2nd drive gear	1		10
40	24322HN9100	24322HN9100	24322HN9100	BUSH, 3nd driven gear	1		10
41	24262HN9100	24262HN9100	24262HN9100	BUSH, 4th drive gear	1		10
42	09167H25001	09167H25001	09167H25001	WASHER, 4th drive gear	1		10
43	24252HN9100	24252HN9100	24252HN9100	BUSH, 5th drive gear	1		10
44	09181H25001	09181H25001	09181H25001	SHIM, 5th drive gear	1		10
45	24332HN9100	24332HN9100	24332HN9100	BUSH, reverse driven gear	1		10
46	24441HP8900	24441HP8900	24441HP8900	WHEEL, sliding dog	1		10
47	09380H25001	09380H25001	09380H25001	CIRCLIP, reverse driven gear	1		10
48	09167H25001	09167H25001	09167H25001	WASHER, reverse driven gear	1		10

FIG 23

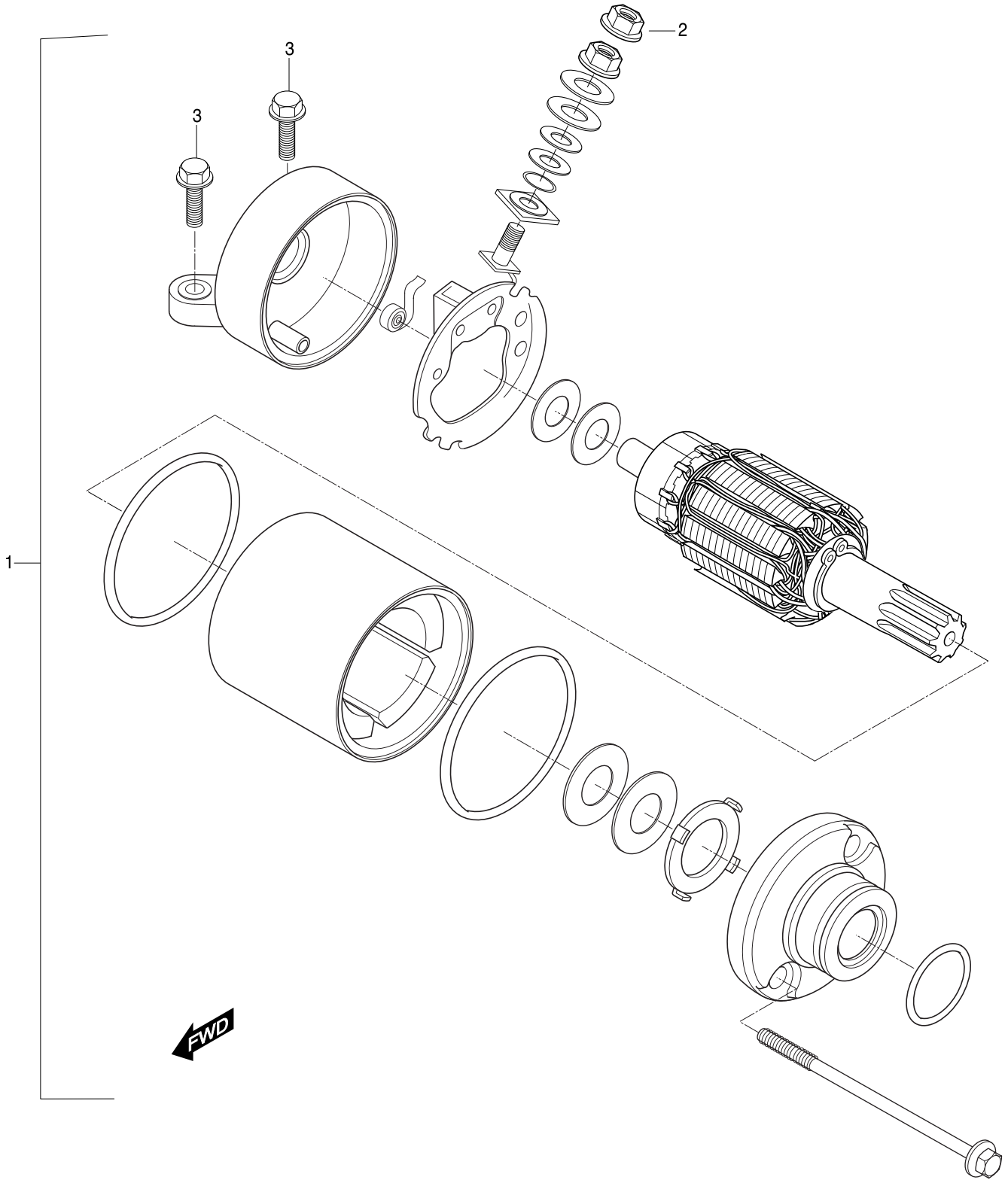


# FIG 23. GEAR SHIFTING

REF.	PARTS NAME			Q'TY	REMARKS	REC.Q'TY
NO.	7US02-UM	7US01-HSM	7CA01-CANADA			(PCS)
1	25231HN9100	25231HN9100	25231HN9100	FORK, gear shift No.3	1	10
2	25211HP8900	25211HP8900	25211HP8900	FORK, gear shift No.1	1	10
3	25411HN9100	25411HN9100	25411HN9100	SHAFT, gear shift fork No.2	1	10
4	25410HP8900	25410HP8900	25410HP8900	SHAFT, gear shift fork No.1	1	10
5	25310HP8900	25310HP8900	25310HP8900	CAM COMP, gear shift	1	10
6	25221HP8900	25221HP8900	25221HP8900	FORK, gear shift No.2	1	10
7	25380HN9105	25380HN9105	25380HN9105	PLATE COMP, gear shift cam	1	10
8	09440H10001	09440H10001	09440H10001	SPRING, gear shift fork No.1 return	1	10
9	25321HN9100	25321HN9100	25321HN9100	BOLT, gear shift cam plate	1	10
10	24741HN9100	24741HN9100	24741HN9100	RETAINER, gear shift cam bearing R	2	10
11	09262H25002	09262H25002	09262H25002	BEARING, gear shift cam R	2	10
12	09282-10007	09282-10007	09282-10007	SEAL, gear shift fork No.1 oil	1	10
13	02122-06128	02122-06128	02122-06128	SCREW, gear shift cam bearing retainer	2	10
14	09263H25002	09263H25002	09263H25002	BEARING, gear shift cam L	1	10
15	09440-04010	09440-04010	09440-04010	SPRING, gear shift shift contact	1	10
16	09209-05011	09209-05011	09209-05011	CONTACT, gear shift switch	1	10
17	09440H17001	09440H17001	09440H17001	SPRING, gear shift cam drive plate	1	10
18	09181H14001	09181H14001	09181H14001	SHIM, gear shift shift thrust	2	10
19	09280-26007	09280-26007	09280-26007	O-RING, gear shift switch	1	10
20	37720HP8900	37720HP8900	37720HP8900	SWITCH ASS'Y, gear shift	1	10
21	02112-95208	02112-95208	02112-95208	SCREW, gear shift switch	2	10
22	01104-06208	01104-06208	01104-06208	BOLT, gear shift lever	1	10
23	09448H17002	09448H17002	09448H17002	SPRING, gear shift cam stopper	1	10
24	09111-06019	09111-06019	09111-06019	BOLT, gear shift cam stopper	1	10
25	25350HN9100	25350HN9100	25350HN9100	STOPPER COMP, gear shift cam	1	10
26	08211-06141	08211-06141	08211-06141	WASHER, gear shift shaft thrust	1	10
27	25521HN9100	25521HN9100	25521HN9100	PLATE, gear shift cam drive	1	10
28	25510HP8900	25510HP8900	25510HP8900	SHAFT COMP, gear shift	1	10
29	09444H20011	09444H20011	09444H20011	SPRING, gear shift shaft return	1	10
30	09180H14001	09180H14001	09180H14001	SHIM, gear shift shaft	1	10
31	25671-01000	25671-01000	25671-01000	STOPPER, gear shift arm	1	10
32	09160H14003	09160H14003	09160H14003	WASHER, gear shift shaft thrust	1	10
33	08331-31149	08331-31149	08331-31149	CIRCLIP, gear shift shaft	3	20
34	09283H14002	09283H14002	09283H14002	SEAL, gear shift shaft oil	1	10
35	25600HP8900	25600HP8900	25600HP8900	LEVER ASS'Y, gear shift cam	1	10
36	09263H14002	09263H14002	09263H14002	BEARING, gear shift shaft	1	10



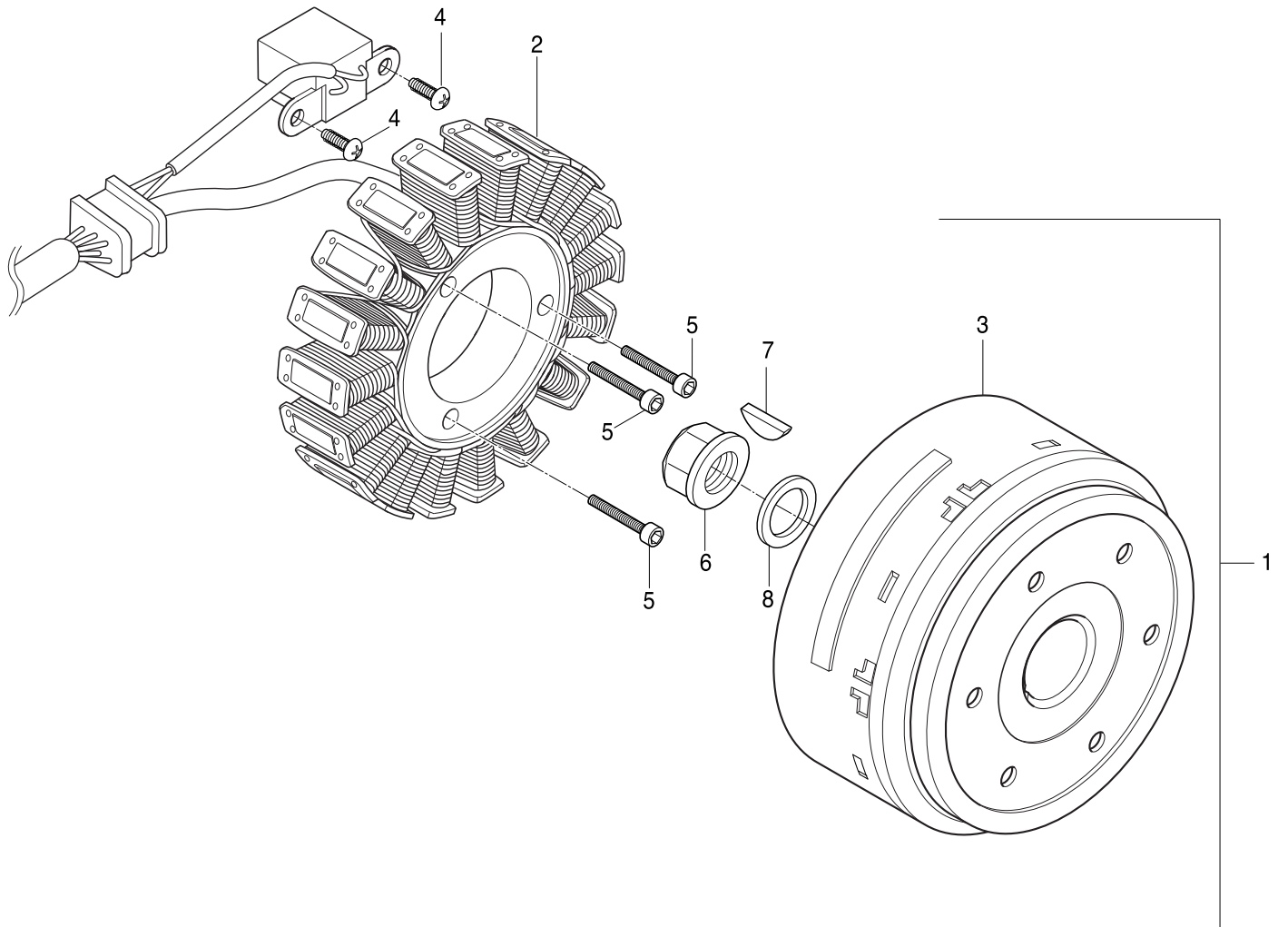
FIG 24



# FIG 24. STARTING MOTOR

REF.				PARTS NAME	Q`TY	REMARKS	REC.Q'TY
NO.	7US02-UM	7US01-HSM	7CA01-CANADA				(PCS)
1	31100HP8900	31100HP8900	31100HP8900	MOTOR ASSY, starting	1		12
2	08316-16068	08316-16068	08316-16068	NUT, starter motor terminal	1		
3	01547-06258	01547-06258	01547-06258	BOLT, start motor bracket	2		

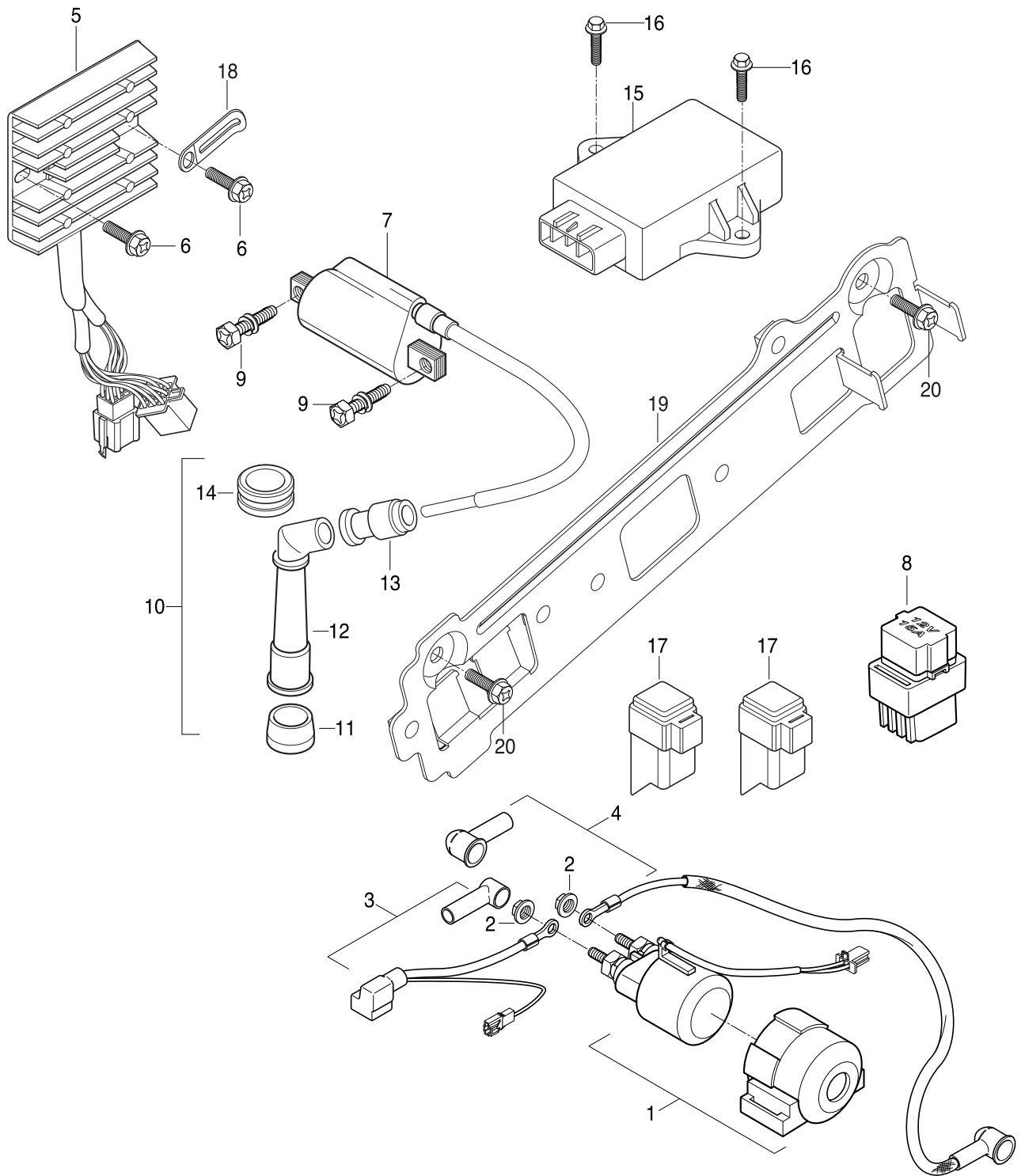
FIG 25



# FIG 25. MAGNETO ASSY

REF.				PARTS NAME	Q`TY	REMARKS	REC.Q`TY
NO.	7US02-UM	7US01-HSM	7CA01-CANADA				(PCS)
1	32100HP8900	32100HP8900	32100HP8900	MAGNETO ASS'Y	1		5
2	32101HP8900	32101HP8900	32101HP8900	STATOR ASS'Y	1		20
3	32102HP8900	32102HP8900	32102HP8900	ROTOR, fly wheel	1		20
4	02142-05128	02142-05128	02142-05128	SCREW, pick-up coil(M5X12)	2		
5	07110-06308	07110-06308	07110-06308	BOLT, magneto stator(M6X30)	3		
6	08316-26128	08316-26128	08316-26128	NUT, magneto	1		50
7	09420H04001	09420H04001	09420H04001	KEY, magneto	1		50
8	09160H12003	09160H12003	09160H12003	WASHER, magneto	1		

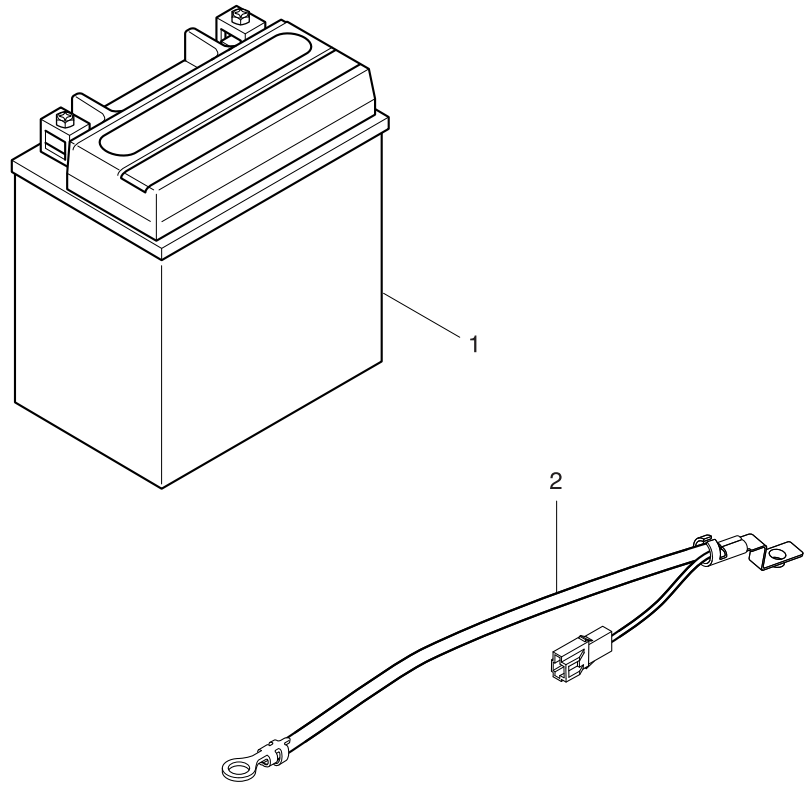
FIG 26



# FIG 26. ELECTRICAL

REF.				PARTS NAME	Q'TY	REMARKS	REC.Q'TY
NO.	7US02-UM	7US01-HSM	7CA01-CANADA				(PCS)
1	31800HG5100	31800HG5100	31800HG5100	RELAY ASS'Y, starting motor	1		30
2	08316-26066	08316-26066	08316-26066	NUT, starter motor relay terminal	2		
3	33840HP8900	33840HP8900	33840HP8900	LEADWIRE, battery plus	1		
4	33850HP8900	33850HP8900	33850HP8900	LEADWIRE, starter motor	1		
5	32800HP8900	32800HP8900	32800HP8900	RECTIFIER regulator ass'y	1		
6	01517-06166	01517-06166	01517-06166	BOLT, restifier	2		
7	33410HP8900	33410HP8900	33410HP8900	COIL ASS'Y,ignition	1		30
8	36740-35C00	36740-35C00	36740-35C00	BOX ASS'Y, fuse(15A)	1		
9	01174-05208	01174-05208	01174-05208	BOLT, ignition coil	2		
10	33500HN9100	33500HN9100	33500HN9100	CAP ASS'Y spark plug	1		50
11	33541-23E01	33541-23E01	33541-23E01	SEAL, spark plug	1	NOT SALE	
12	33510-05C01	33510-05C01	33510-05C01	CAP, spark plug	1	including No.11+No.13	
13	33542-98000	33542-98000	33542-98000	SEAL, high tention cord	1	NOT SALE	
14	33545HN9100	33545HN9100	33545HN9100	BUSH, spark plug cap	1		
15	32900HP8900	32900HP8900	32900HP8900	IGNITOR, ASS'Y	1		
16	01517-06166	01517-06166	01517-06166	BOLT, ignition	2		
17	38740HG5100	38740HG5100	38740HG5100	RELAY ASS'Y	2		30
18	09404-06401	09404-06401	09404-06401	CLAMP, rectifier regulator L / wire	1		
19	42121HP8900	42121HP8900	42121HP8900	PLATE, electric part	1		
20	02142-06126	02142-06126	02142-06126	SCREW, electric part plate	2		

FIG 27

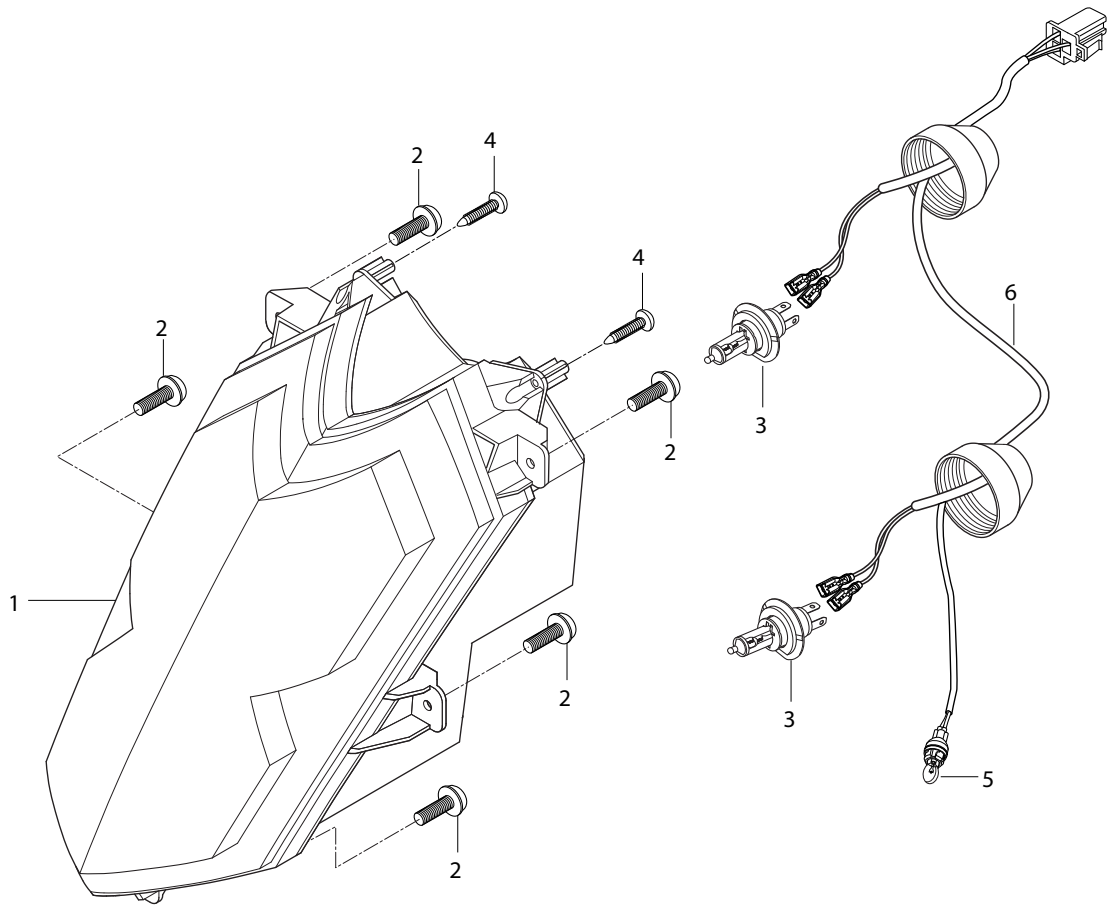


# FIG 27. BATTERY

REF.				PARTS NAME	Q`TY	REMARKS	REC.Q`TY
NO.	7US02-UM	7US01-HSM	7CA01-CANADA				(PCS)
1	33610HG5100	33610HG5100	33610HG5100	BATTERY ASS'Y(12V 8Ah. STX9-BS	1		50
2	33860HP8900	33860HP8900	33860HP8900	LEAD WIRE, battery minus	1		15



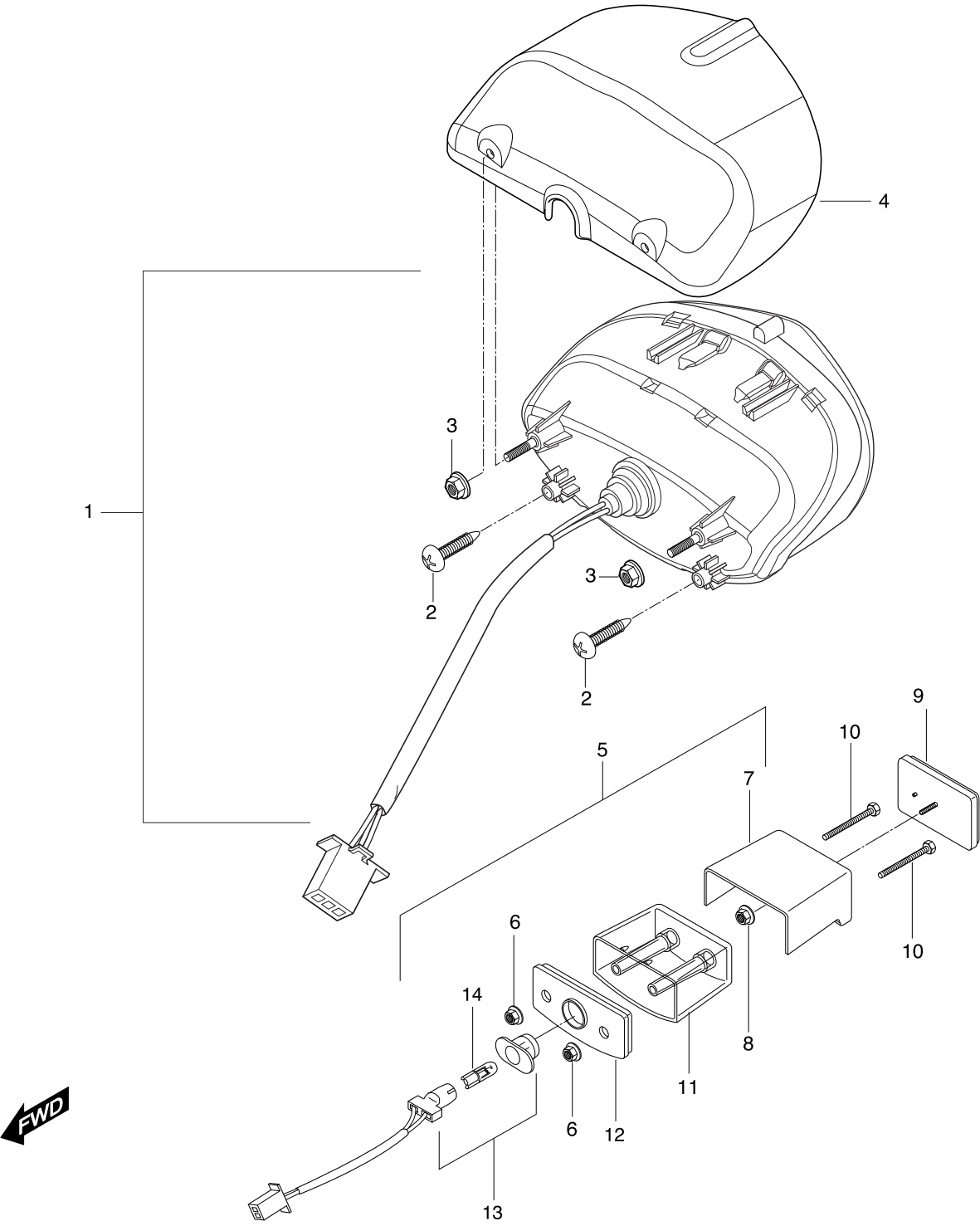
FIG.28



# FIG 28. HEAD LAMP

REF.				PARTS NAME	Q`TY	REMARKS	REC.Q'TY
NO.	7US02-UM	7US01-HSM	7CA01-CANADA				(PCS)
1	35100HP8950	35100HP8900	35100HP8900	HEAD LAMP ASS'Y	1		10
2	03241-06166	03241-06166	03241-06166	SCREW, head lamp	4		20
3	09471H12260	09471H12260	09471H12260	BULB, head lamp(12V H7 55W)	2		50
4	03241-05166	03241-05166	03241-05166	SCREW, head lamp	4		30
5	09471-12110	09471-12110	09471-12110	BULB, position lamp	1		
6	35130HP8900	35130HP8900	35130HP8900	SOCKET, head hamp	1		

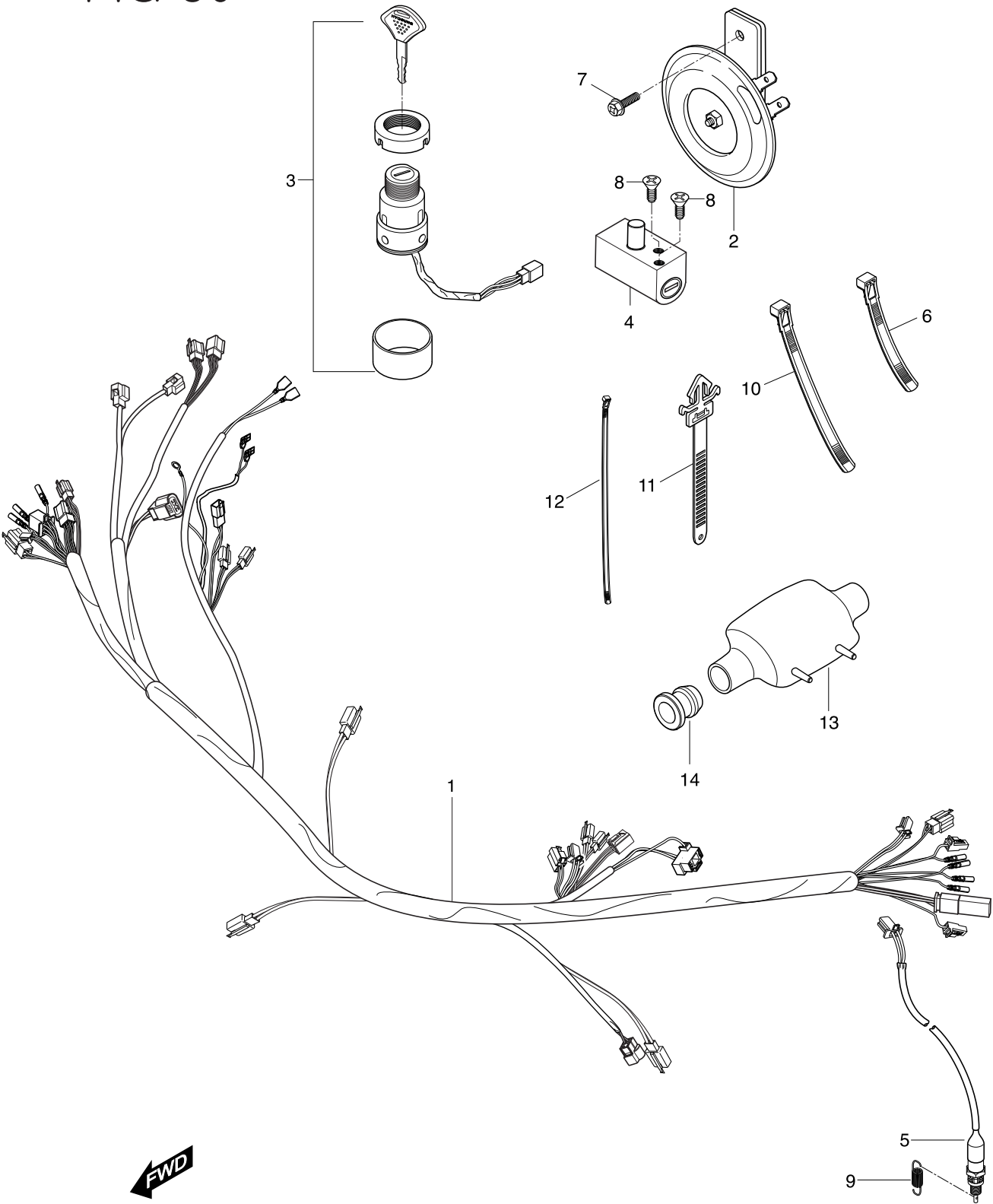
FIG 29



# FIG 29. REAR COMBINATION

REF.	PARTS NAME			Q'TY	REMARKS	REC.Q'TY
NO.	7US02-UM	7US01-HSM	7CA01-CANADA			(PCS)
1	35710HP9500	35710HP9500	35710HP9500	LAMP ASS'Y, tail & stop	1	15
2	03241-05166	03241-05166	03241-05166	SCREW, tail & stop	2	
3	08316-26055	08316-26055	08316-26055	NUT, tail & stop	2	
4	35780HP8900	35780HP8900	35780HP8900	COVER, tail & stop	1	
5	35910HG5150	35910HG5150	35910HG5150	LAMP ASSY, license plate	1	
6	08316-26055	08316-26055	08316-26055	COVER, license lamp	2	
7	35915HL7300	35915HL7300	35915HL7300	NUT, license lamp(M5)	2	
8	08316-26055	08316-26055	08316-26055	NUT, license lamp	2	
9	35970HP8900	35970HP8900	35970HP8900	COVER REFLEX REFLECTOR ASS'Y	1	
10	01107-05605	01107-05605	01107-05605	sCREW, license lamp	2	
11	35911HG5800	35911HG5800	35911HG5800	LENS, license	1	
12	35912HG5800	35912HG5800	35912HG5800	HOUSING, license	1	
13	35916HG5800	35916HG5800	35916HG5800	CORD ASS'Y	1	10
14	09471-12150	09471-12150	09471-12150	BULB, license lamp(12V/5W)	1	20

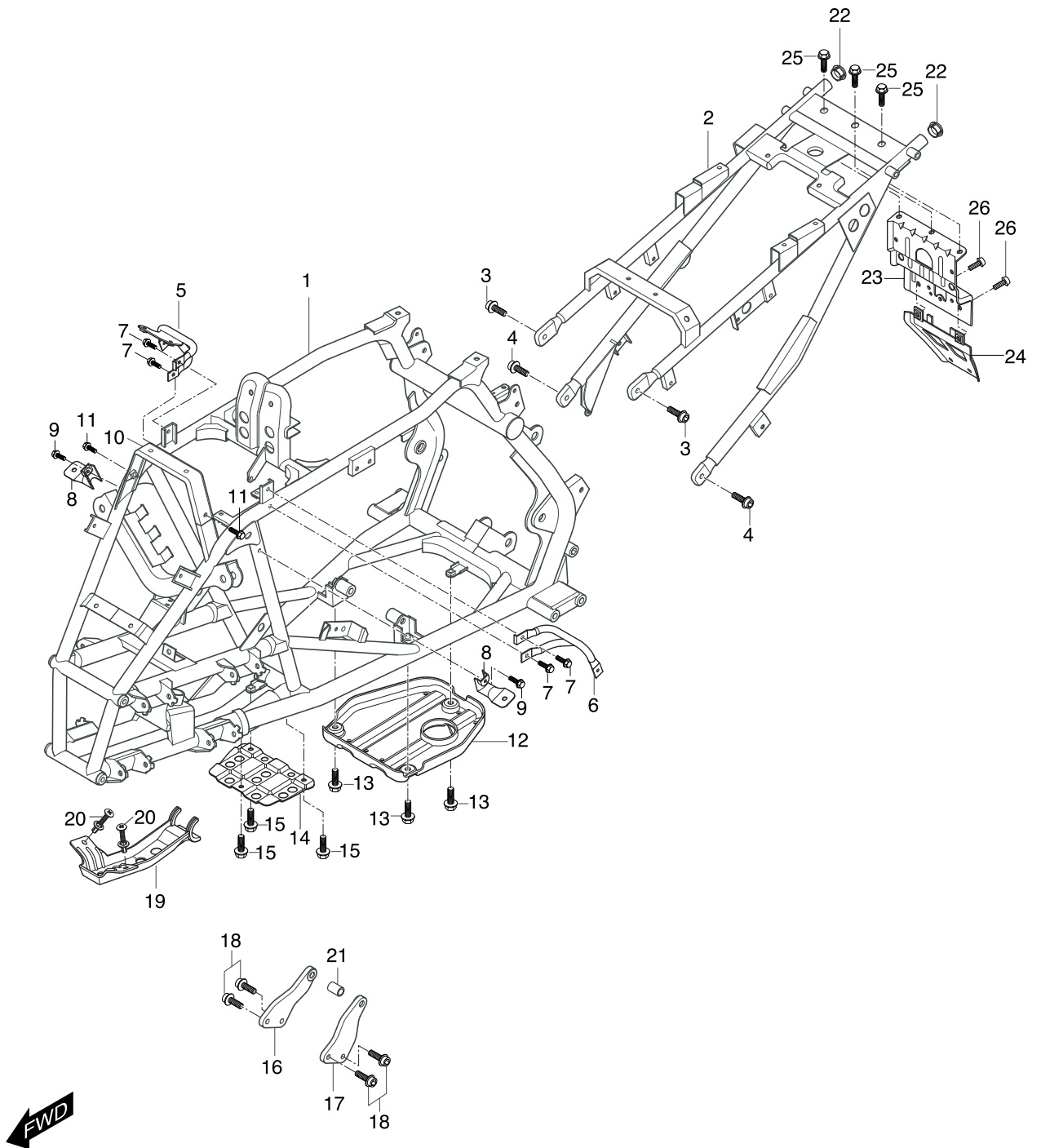
FIG 30



# FIG 30. WIRING HARNESS

REF.				PARTS NAME	Q'TY	REMARKS	REC.Q'TY
NO.	7US02-UM	7US01-HSM	7CA01-CANADA				(PCS)
1	36610HP8980	36610HP8980	36610HP8980	HARNES, wiring	1		8
2	38500HR8300	38500HR8300	38500HR8300	HORN ASS'Y	1		5
3	37100HP8900	37100HP8900	37100HP8900	SWITCH ASS'Y, ignition	1		
4	51900HP8900	51900HP8900	51900HP8900	LOCK ASSY, steering	2		5
5	37740HP8900	37740HP8900	37740HP8900	SWITCH ASS'Y, rear stop	1		5
6	09407-14403	09407-14403	09407-14403	CLAMP, wiring harness	3		
7	09128-06005	09128-06005	09128-06005	BOLT, horn	1		
8	02122-06128	02122-06128	02122-06128	SCREW, steering lock	2		
9	09443-06058	09443-06058	09443-06058	SPRING, rear stop switch	1		
10	09407-22402	09407-22402	09407-22402	CLAMP, wiring harness	3		
11	09407-14408	09407-14408	09407-14408	CLAMP, wiring harness	1		
12	09407-20406	09407-20406	09407-20406	CLAMP, wiring harness	3		
13	36618-30610	36618-30610	36618-30610	TUBE, wiring harness	2		
14	09320H12061	09320H12061	09320H12061	GROMMET, rear fender	1		

FIG 31

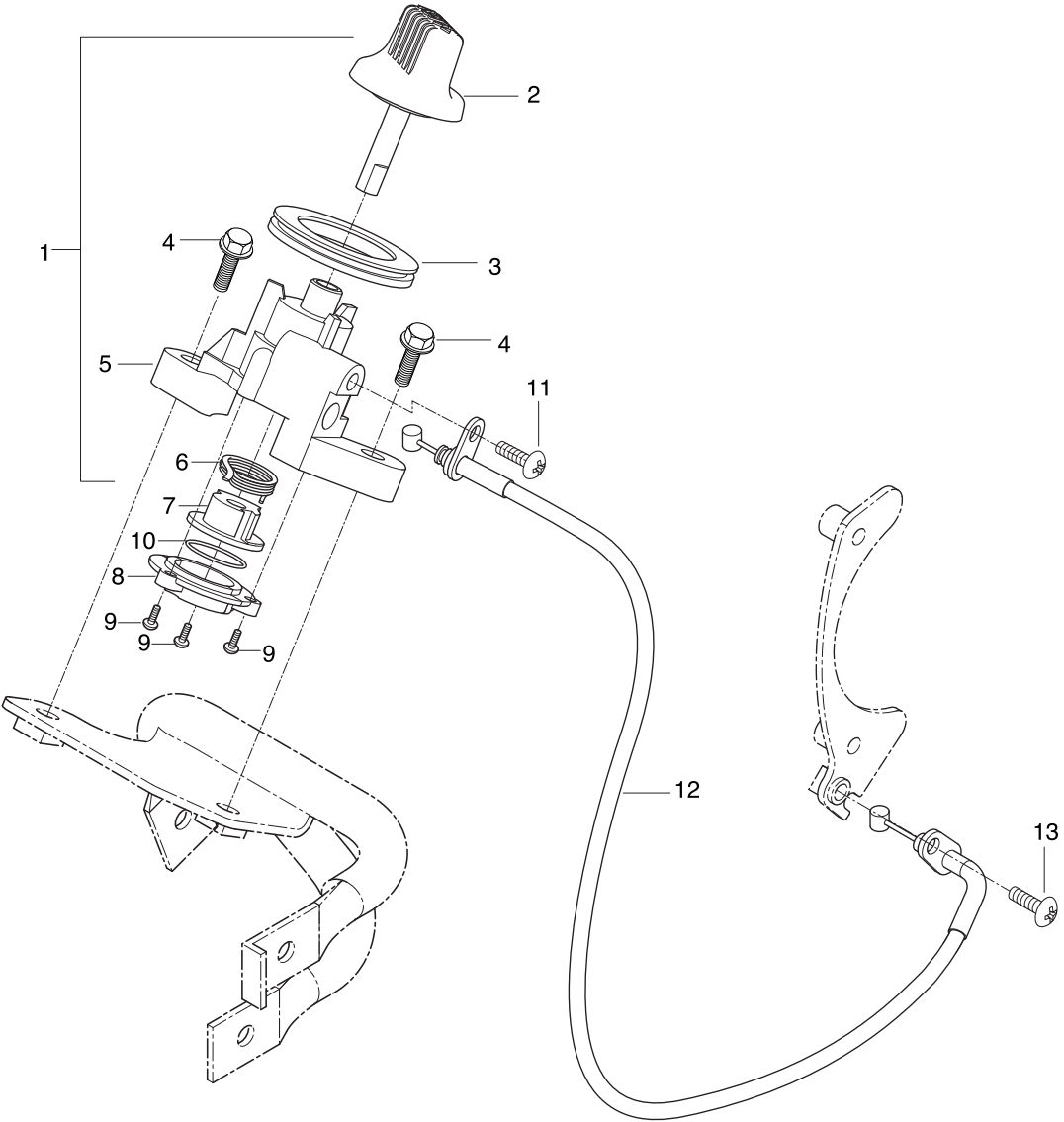


# FIG 31. FRAME

REF.				PARTS NAME	Q'TY	REMARKS	REC.Q'TY
NO.	7US02-UM	7US01-HSM	7CA01-CANADA				(PCS)
1	41100HP890003P	41100HP890003P	41100HP890003P	FRAME COMP	1		3
2	42100HP890003P	42100HP890003P	42100HP890003P	FRAME COMP, rear	1		5
3	07120-08258	07120-08258	07120-08258	BLT, rear frame upper	2		
4	09106H10259	09106H10259	09106H10259	BOLT, rear frame lower	2		10
5	53120HP8900	53120HP8900	53120HP8900	BRACE COMP, front fender RH	1		
6	53130HP8900	53130HP8900	53130HP8900	BRACE COMP, front fender LH	1		
7	01517-06166	01517-06166	01517-06166	BOLT, front fender brace & frame	4		
8	47171HP8900	47171HP8900	47171HP8900	BRACKET, side cover R/L	2		
9	09106H06150	09106H06150	09106H06150	SCREW, side cover brake & frame	2		
10				PLATE, front fender	1		
11	01517-06128	01517-06128	01517-06128	BOLT, front fender plate & frame	2		10
12	42511HP8900	42511HP8900	42511HP8900	PROTECT, engine lower	1		
13	09106H06150	09106H06150	09106H06150	SCREW, engine lower protect	3		
14	16421HP8900	16421HP8900	16421HP8900	PROTECT, oil tank	1		
15	09407-08307	09407-08307	09407-08307	SCRIVET, oil tank protector	3		
16	41993HP8900	41993HP8900	41993HP8900	PLATE, engine mounting front R	1		
17	41994HP8900	41994HP8900	41994HP8900	PLATE, engine mounting front L	1		
18	07120-08208	07120-08208	07120-08208	BOLT, engine mounting front lower	4		
19	16422HP8900	16422HP8900	16422HP8900	PROTECTOR, oil tank rear	1		
20	09106H06150	09106H06150	09106H06150	SCREW, oil tank protector	2		
21	41995HP8900	41995HP8900	41995HP8900	SPACE, engine mounting front L	1		
22	42199HP8900	42199HP8900	42199HP8900	CAP, rear frame main tube	2		
23	63112HP8900	63112HP8900	63112HP8900	BRACKET, rear fender rear upper	1		5
24	63113HP8900	63113HP8900	63113HP8900	BRACKET, rear fender rear lower	1		5
25	01517-06166	01517-06166	01517-06166	BOLT, rr fender rr & front	3		
26	09139H06016	09139H06016	09139H06016	SCREW, rr fender rr upper & lower	2		



FIG 32

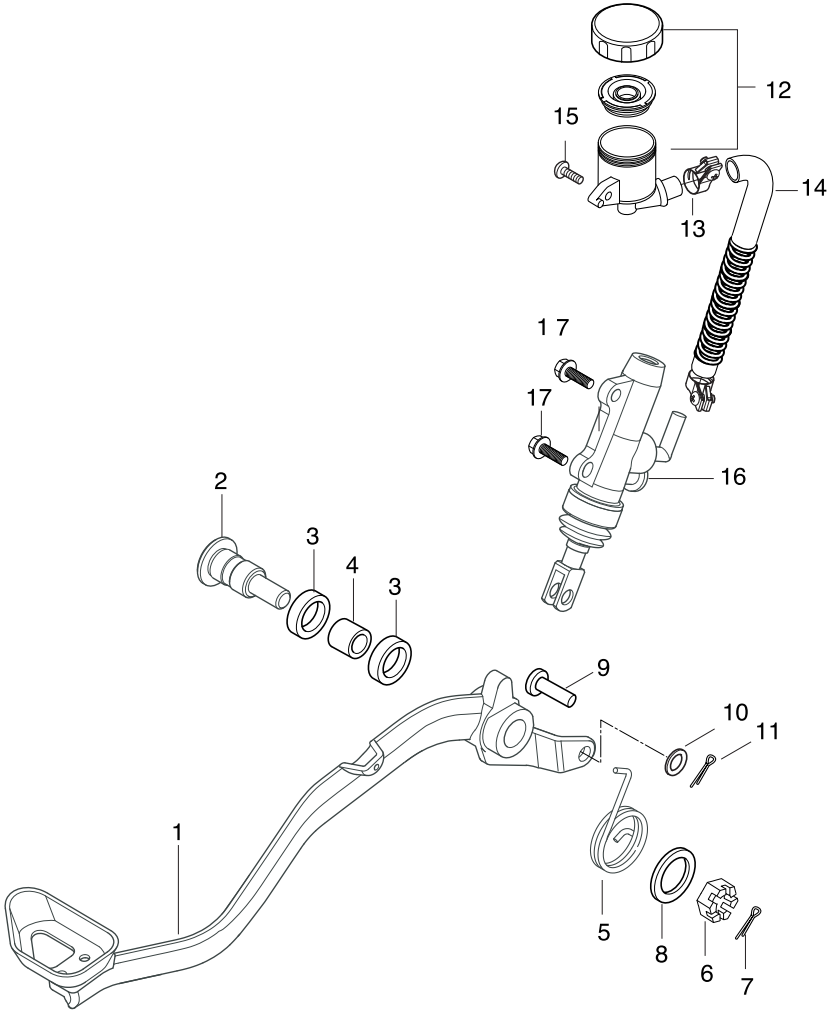


**FWD**

# FIG 32. REVERSE ASS'Y

REF.	PARTS NAME			Q'TY	REMARKS	REC.Q'TY
NO.	7US02-UM	7US01-HSM	7CA01-CANADA			(PCS)
1	56900HP8900	56900HP8900	56900HP8900	LEVER ASSY, reverse	1	10
2	56910HP8900	56910HP8900	56910HP8900	LEVER COMP, reverse	1	10
3	09281H28001	09281H28001	09281H28001	DUST SEAL, reverse lever	1	15
4	01517-06165	01517-06165	01517-06165	BOLT, reverse lever ASS'Y	2	
5	56921HP8900	56921HP8900	56921HP8900	HOUSING, reverse lever	1	
6	09448H11001	09448H11001	09448H11001	SPRING	1	
7	56922HP8900	56922HP8900	56922HP8900	SPOOL, reverse cable	1	
8	56923HP8900	56923HP8900	56923HP8900	CAP, reverse lever housing	1	
9	03211-03128	03211-03128	03211-03128	SCREW	3	
10	09281H22001	09281H22001	09281H22001	DUST SEAL	1	
11	02112-05106	02112-05106	02112-05106	SCREW	1	
12	56400HP8900	56400HP8900	56400HP8900	CABLE COMP, reverse	1	
13	02142-05125	02142-05125	02142-05125	SCREW, erverse cable & drive chain gu	1	

FIG 33

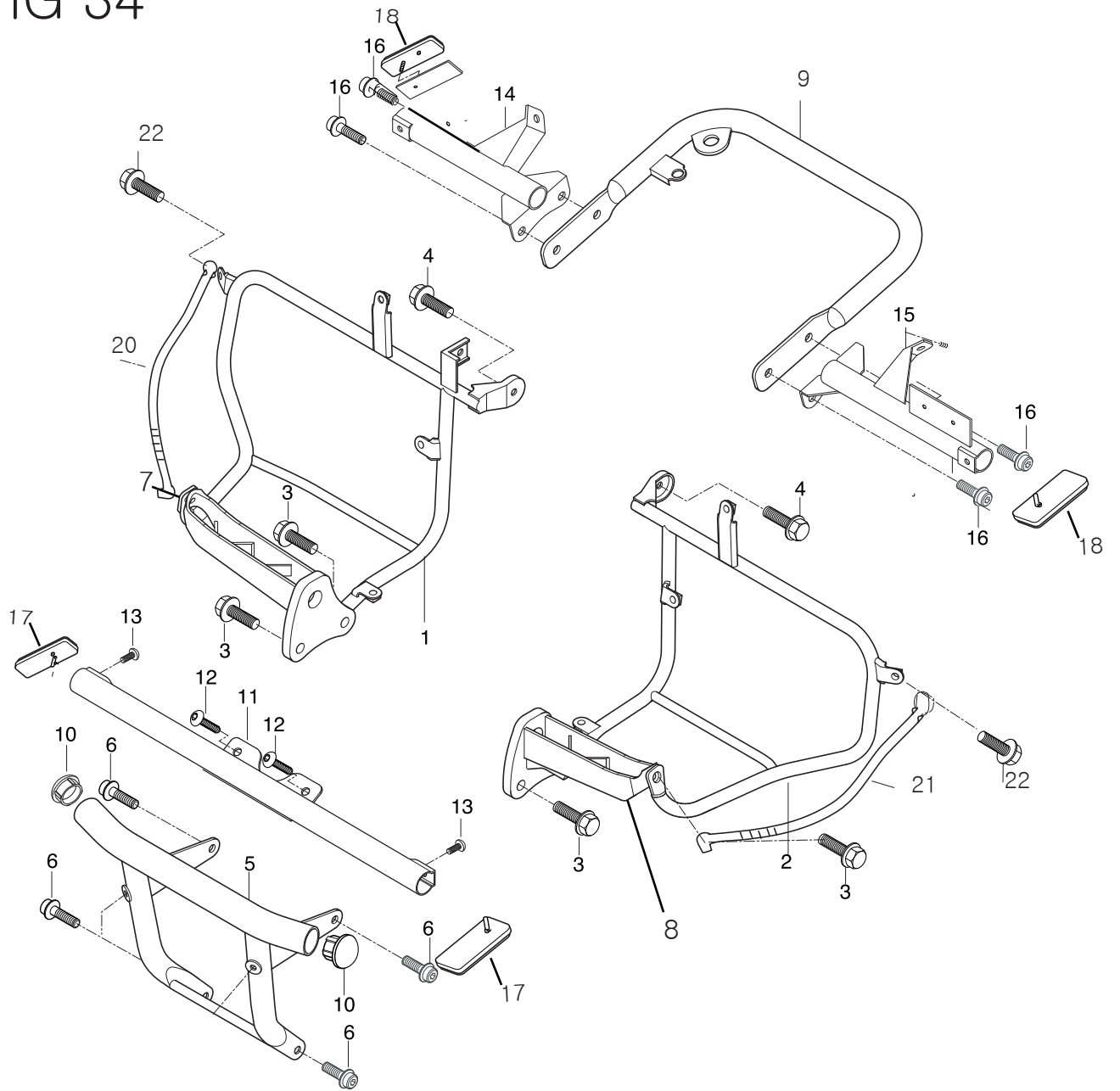


FWD

# FIG 33. REAR BRAKE

REF.				PARTS NAME	Q'TY	REMARKS	REC.Q'TY
NO.	7US02-UM	7US01-HSM	7CA01-CANADA				(PCS)
1	43110HP890003P	43110HP890003P	43110HP890003P	PEDAL COMP, rear brake	1		15
2	43114HP8900	43114HP8900	43114HP8900	BOSS, brake pedal	1		
3	09284H16007	09284H16007	09284H16007	SEAL, brake peda;	2		20
4	43115HP8900	43115HP8900	43115HP8900	BUSH, brake pedal	1		
5	09448H30002	09448H30002	09448H30002	SPRING, brakepedal , return	1		20
6	08314-40106	08314-40106	08314-40106	NUT, rear brake pedal	1		
7	04111-20206	04111-20206	04111-20206	COTTER PIN, rr brake pedal bolt	1		
8	08322-11106	08322-11106	08322-11106	WASHER, blake pedal	1		
9	09200H06040	09200H06040	09200H06040	PIN, rear master cylinder	1		
10	08322-21068	08322-21068	08322-21068	WASHER, rear master cylider	1		
11	04111-20208	04111-20208	04111-20208	COTTER PIN, rear m/cylinder	1		
12	69740HP8900	69740HP8900	69740HP8900	TANK ASS'Y, reservoir	1		10
13	69710HP8900	69710HP8900	69710HP8900	CLAMP, reserver tank hose	2		
14	69700HP8900	69700HP8900	69700HP8900	HOSE ASS'Y, reservoir tank	1		
15	09106H05150	09106H05150	09106H05150	SCREW, reservior tank	1		
16	69609HP8900	69609HP8900	69609HP8900	CYLINDER ASS'Y, rear master	1		8
17	09106H06200	09106H06200	09106H06200	BOLT, master cylinder	2		10

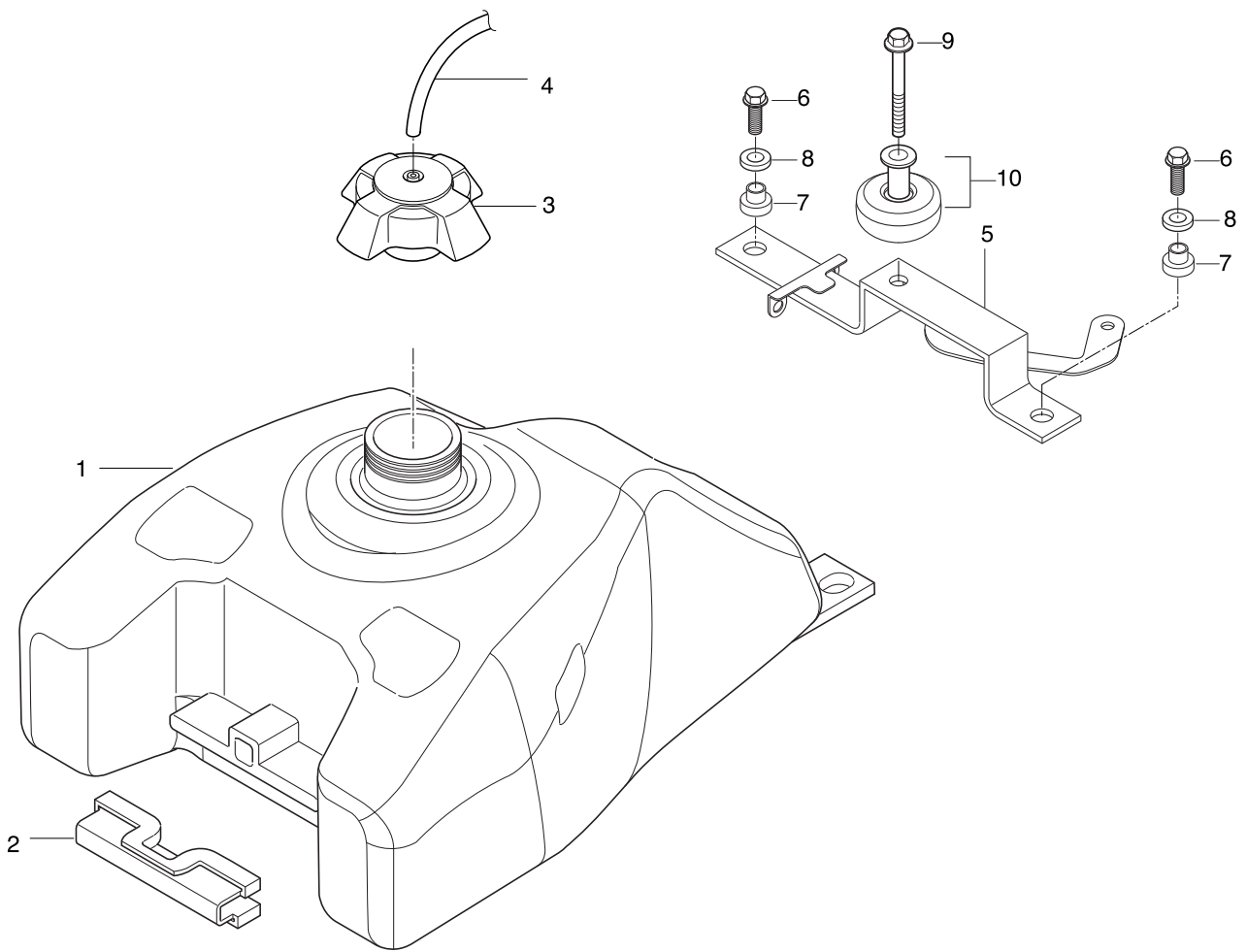
FIG 34



# FIG 34. FRONT FOOTREST

REF.	PARTS NAME			Q'TY	REMARKS	REC.Q'TY
NO.	7US02-UM	7US01-HSM	7CA01-CANADA			(PCS)
1	43530HP8900	43530HP8900	43530HP8900	BRACE, front footrest RH	1	10
2	43540HP8900	43540HP8900	43540HP8900	BRACE, front footrest LH	1	10
3	01517-10306	01517-10306	01517-10306	BOLT, footrest R/L	4	
4	01517-06166	01517-06166	01517-06166	BOLT, footrest guard brace R/L	2	
5	43990HP895003P	43990HP895003P	43990HP895003P	GRIP COMP, front	1	20
6	07120-08208	07120-08208	07120-08208	BOLT, front grip comp	4	
7	43510HP8900PAM	43510HP8900PAM	43510HP8900PAM	FOOT REST, front R	1	15
8	43520HP8900PAM	43520HP8900PAM	43520HP8900PAM	FOOT REST, front L	1	15
9	43980HP890003P	43980HP890003P	43980HP890003P	GRIP COMP, rear	1	5
10	43999HP8900	43999HP8900	43999HP8900	CAP, front grip main pipie	2	
11	51720HP890003P	51720HP890003P	51720HP890003P	TUBE COMP, front turnsignal	2	
12	09106H06150	09106H06150	09106H06150	BOLT, front turnsignal tube comp	2	
13	02142-05128	02142-05128	02142-05128	SCREW, turn signal lamp front	2	
14	61720HP8960	61720HP8960	61720HP8960	TUBE COMP, reart turnsignal RH	1	
15	61730HP8960	61730HP8960	61730HP8960	TUBE COMP, resrt turn signal LH	1	
16	07120-08208	07120-08208	07120-08208	BOLT, grip rear	4	
17	35950HG2601	35950HG2601	35950HG2601	REFLEX REFLECTOR ASS'Y, front	2	
18	35970-17303	35970-17303	35970-17303	REFLEX REFLECTOR ASS'Y, rear	2	
19	08316-26055	08316-26055	08316-26055	NUT, reflex reflector	2	
20	43620HP8900	43620HP8900	43620HP8900	BRACKET COMP, pillion footrest RH	1	
21	43630HP8900	43630HP8900	43630HP8900	BRACKET COMP, pillion footrest LH	1	
22	01547-06408	01547-06408	01547-06408	BOLT, footrest guard & pillion footrest	2	

FIG 35

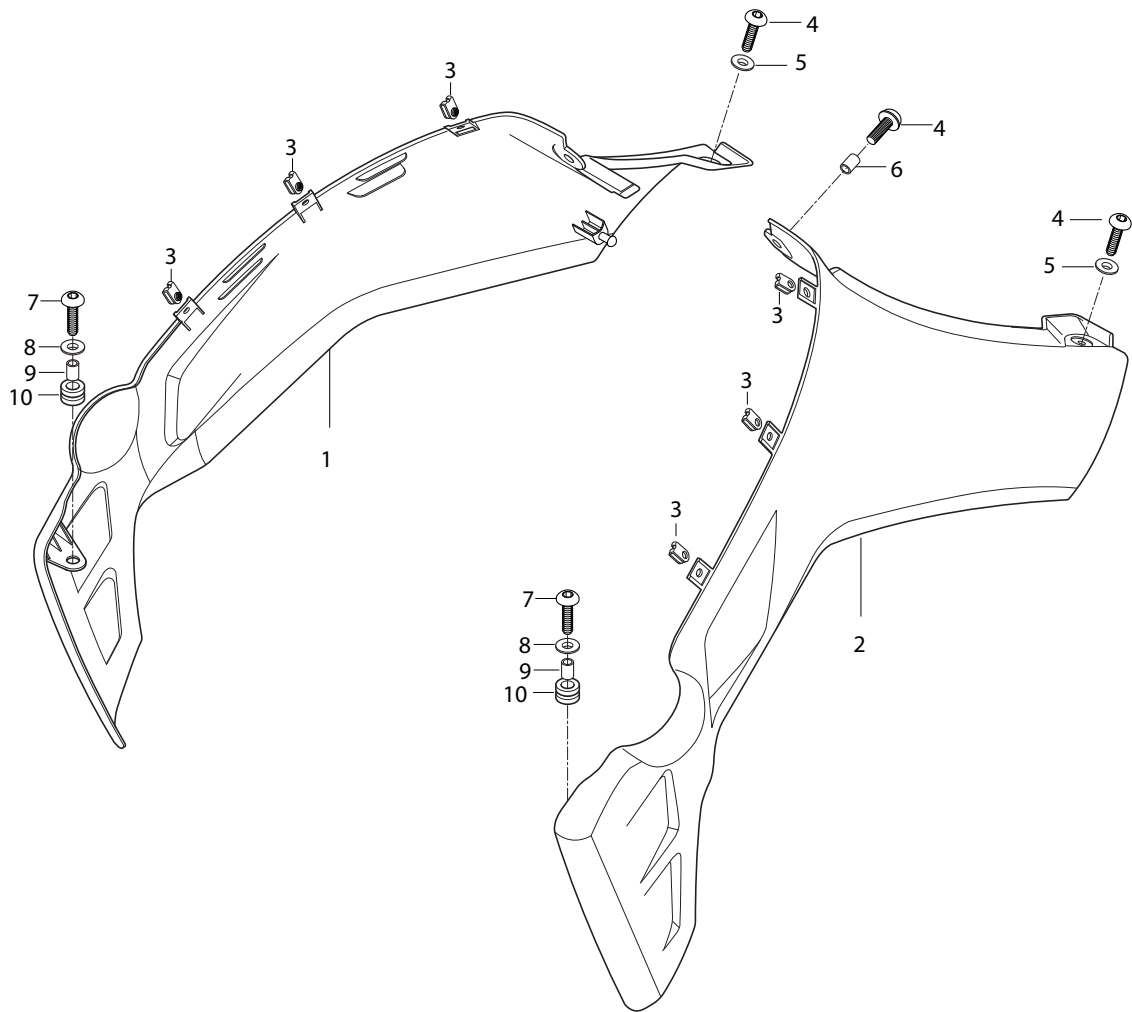


# FIG 35. FUEL TANK

REF.	PARTS NAME			Q'TY	REMARKS	REC.Q'TY
NO.	7US02-UM	7US01-HSM	7CA01-CANADA			(PCS)
1	44110HP8900PAH	44110HP8900PAH	44110HP8900PAH	TANK ASS'Y, fuel( without fuel gauge,	1	8
2	44511HP8900	44511HP8900	44511HP8900	CUSHION, fuel tank front	1	20
3	44200HP8900	44200HP8900	44200HP8900	CAP COMP, fuel tank	1	
4	09343-05052	09343-05052	09343-05052	HOSE, fuel tank bredther	1	5
5	45118HP8900	45118HP8900	45118HP8900	PLATE, seat front hook NO.1	1	
6	01107-06256	01107-06256	01107-06256	BOLT, fuel tank	2	
7	09320H10039	09320H10039	09320H10039	CUSHION, fuel tank NO.1	2	20
8	09180H06066	09180H06066	09180H06066	SPACER, fuel tank	2	
9	01517-08508	01517-08508	01517-08508	BOLT, seat front hook plate	1	
10	45220HP8900	45220HP8900	45220HP8900	HOOK COMP, seat	1	



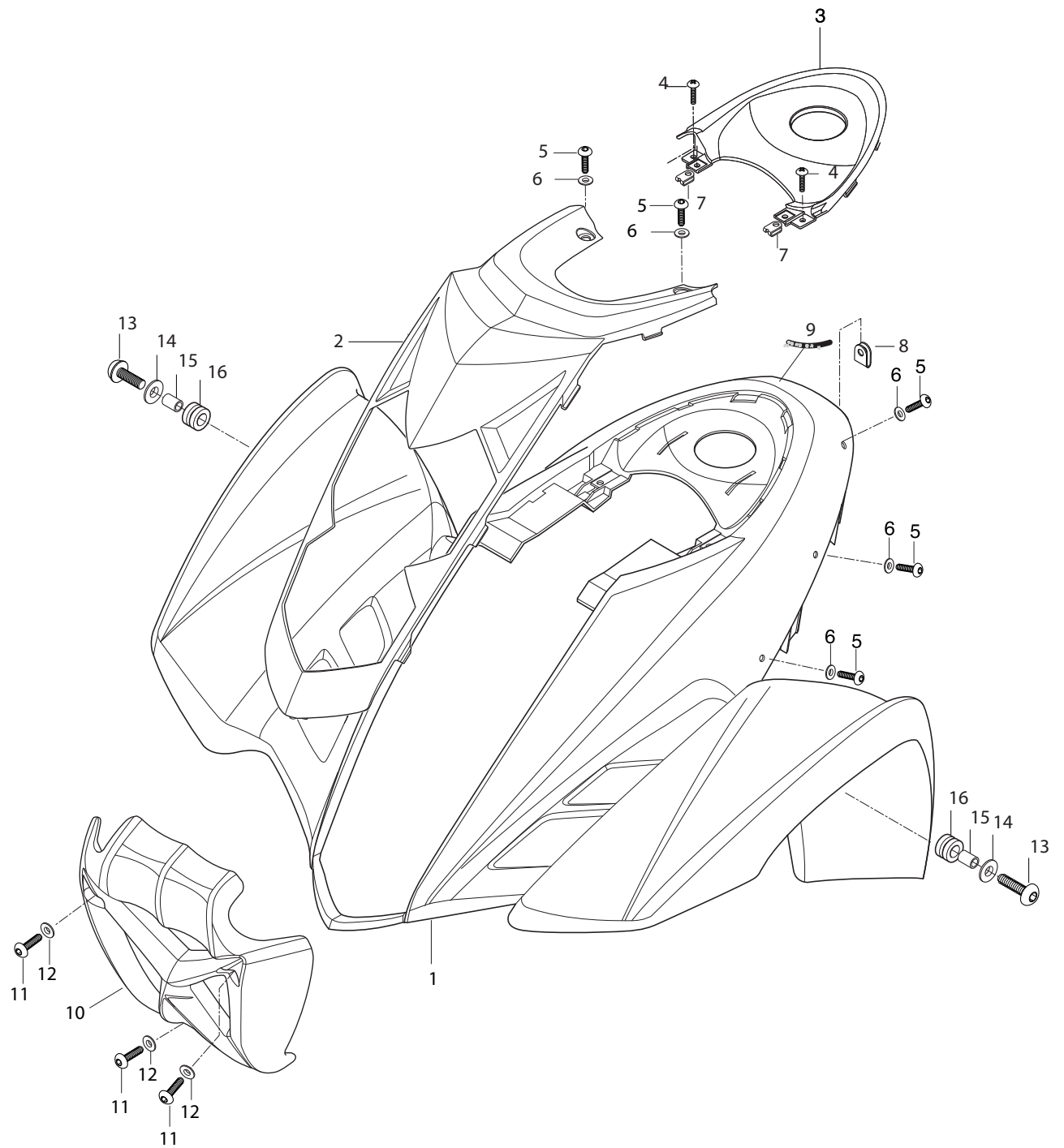
FIG 36



# FIG 36. SIDE COVER

REF.	PARTS NAME			Q'TY	REMARKS	REC.Q'TY
NO.	7US02-UM	7US01-HSM	7CA01-CANADA			(PCS)
1	47111HP8900	47111HP8900	47111HP8900	COVER, side R (color : OLR, SDK)	1	15
2	47211HP8900	47211HP8900	47211HP8900	COVER, side L (color : OLR, SDK)	1	15
3	09148H05029	09148H05029	09148H05029	NUT, side cover & front fender	6	
4	09106H06208	09106H06208	09106H06208	SCREW, side cover	1	
5	09160-06060	09160-06060	09160-06060	WASHER, side cover	1	
6	09180-06084	09180-06084	09180-06084	SPACER, side cover	1	
7	09119H06208	09119H06208	09119H06208	SCREW, side cover & frame	2	
8	09160-06060	09160-06060	09160-06060	WASHER, side cover	2	
9	09180-06030	09180-06030	09180-06030	SPACER, side cover & side cover BRK	2	
10	09320-09016	09320-09016	09320-09016	CUSHION, side cover & side cover BR	2	
11	68134H789C00C4	68134HP89000B8	68134HP89000B8	TAPE, side front fender R (OLR)	1	
	68134H789C00D4	68134HP89000B9	68134HP89000B9	TAPE, side front fender R (SDK)	1	
12	68136H789C00C4	68136HP89000B8	68136HP89000B8	TAPE, side front fender L (OLR)	1	
	68136H789C00D4	68136HP89000B9	68136HP89000B9	TAPE, side front fender L (SDK)	1	

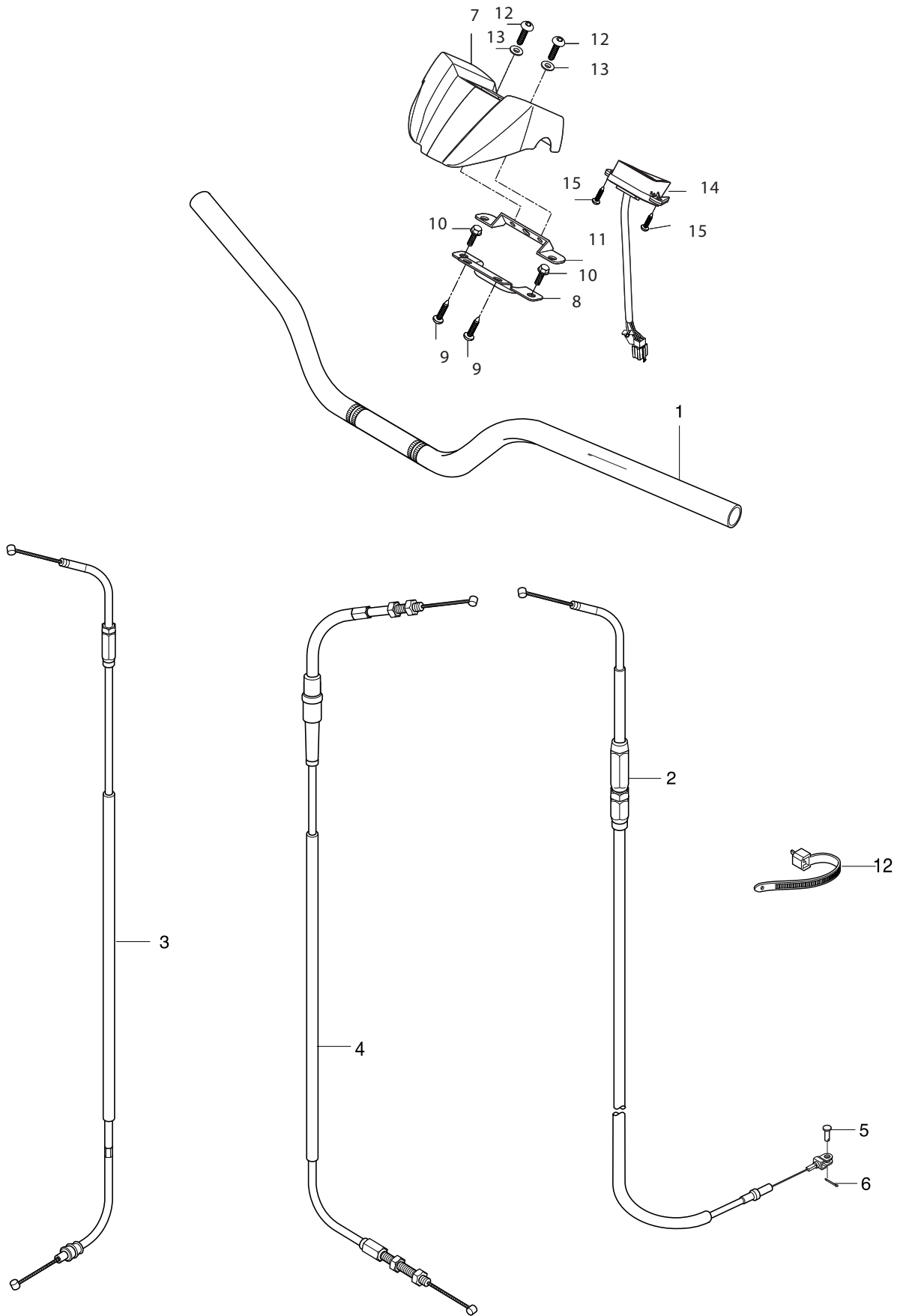
FIG 37



# FIG 37. FRONT FENDER

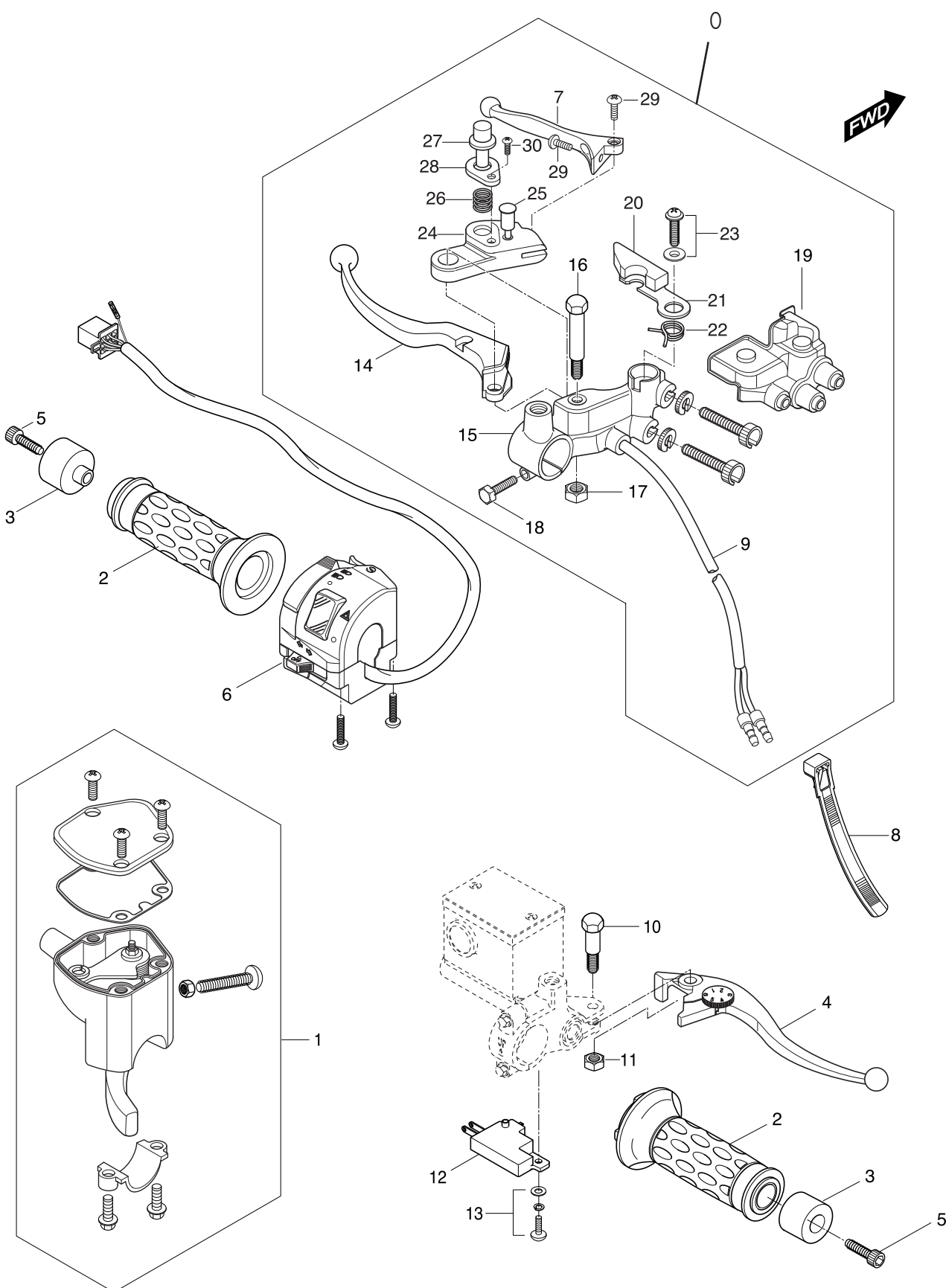
REF.				PARTS NAME	Q'TY	REMARKS	REC.Q'TY
NO.	7US02-UM	7US01-HSM	7CA01-CANADA				(PCS)
1	53111HP8950	53111HP8950	53111HP8950	FENDER, front (color : OLR, SDK)	1		15
2	53118HP8950	53118HP8950	53118HP8950	FENDER, center front	1		15
3	53119HP8900	53119HP8900	53119HP8900	FENDER, center rear	1		15
4	02142-05125	02142-05125	02142-05125	SCREW, front fender center rear	2		
5	09106H05150	09106H05150	09106H05150	SCREW, front fender & side cover	8		
6	09106H05078	09106H05078	09106H05078	WASHER, front fender & side cover	8		
7	09148H05029	09148H05029	09148H05029	NUT, front fender center rear	2		
8	09148H05029	09148H05029	09148H05029	NUT, front fender rear	1		
9	68930HP8950	68930HP8950	68930HP8950	LABEL, unleaded fuel	1		
10	43970HP8950	43970HP8950	43970HP8950	GRIP COMP, FRONT	2		
11	09106H06150	09106H06150	09106H06150	SCREW, front grip	2		
12	09169H06078	09169H06078	09169H06078	WASHER, fdront grip	2		
13	09106H06200	09106H06200	09106H06200	SCREW, front grip	2		
14	09160-06006	09160-06006	09160-06006	WASHER, fdront grip	2		
15	09180-06030	09180-06030	09180-06030	LAMP ASS'Y, indicator	2		
16	09320-09016	09320-09016	09320-09016	SCREW, indicator lamp	1		
17	68120H789C00C1	68120HP890003P	68120HP890003P	EMBLEM,	1		
18	68130H78960	68130H78960	68130H78960	EMBLEM, 450R	1		
19	68124H789C00C3	68124HP89000B8	68124HP89000B8	TAPE, front fender RH(OLR)	1		
	68124H789C00D4	68124HP89000B9	68124HP89000B9	TAPE, front fender RH(SDK)	1		
20	68126H789C00C3	68126HP89000B8	68126HP89000B8	TAPE, front fenderb LH (OLR)	1		10
	68126H789C00D4	68126HP89000B9	68126HP89000B9	TAPE, front fenderb LH (SDK)	1		

FIG 38



# FIG 38. HANDLE BAR

REF.				PARTS NAME	Q`TY	REMARKS	REC.Q'TY
NO.	7US02-UM	7US01-HSM	7CA01-CANADA				(PCS)
1	56110HP8900	56110HP8900	56110HP8900	HANDLEBAR COMP	1		12
2	58300HP8900	58300HP8900	58300HP8900	CABLE ASS'Y, throttle	1		20
3	58800HP8900	58800HP8900	58800HP8900	CABLE ASS'Y, parking	1		20
4	58200HP8900	58200HP8900	58200HP8900	CABLE ASS'Y, clutch	1		20
5	09200-06004	09200-06004	09200-06004	PIN, clutch cable	1		
6	04111-20158	04111-20158	04111-20158	COTTER PIN, clutch cable	1		
7	56171HP8950	56171HP8950	56171HP8950	COVER, steering head	1		
8	56181HP8950	56181HP8950	56181HP8950	PLATE, steering head cover No.1	1		
9	02142-05125	02142-05125	02142-05125	SCREW,steering head cover No.1	2		
10	01517-08166	01517-08166	01517-08166	BOLT, plate No.1 & steering shaft	2		
11	56182HP8950	56182HP8950	56182HP8950	PLATE, steering head cover No.2	1		
12	09106H05150	09106H05150	09106H05150	BOLT,steering head cover No.2	2		
13	09169H05078	09169H05078	09169H05078	WASHER,steering head cover No.2	2		
14	39000HP8980	39000HP8980	39000HP8980	LAMP ASS'Y, indicator	1		
15	03241-05126	03241-05126	03241-05126	SCREW,indicator lamp	2		

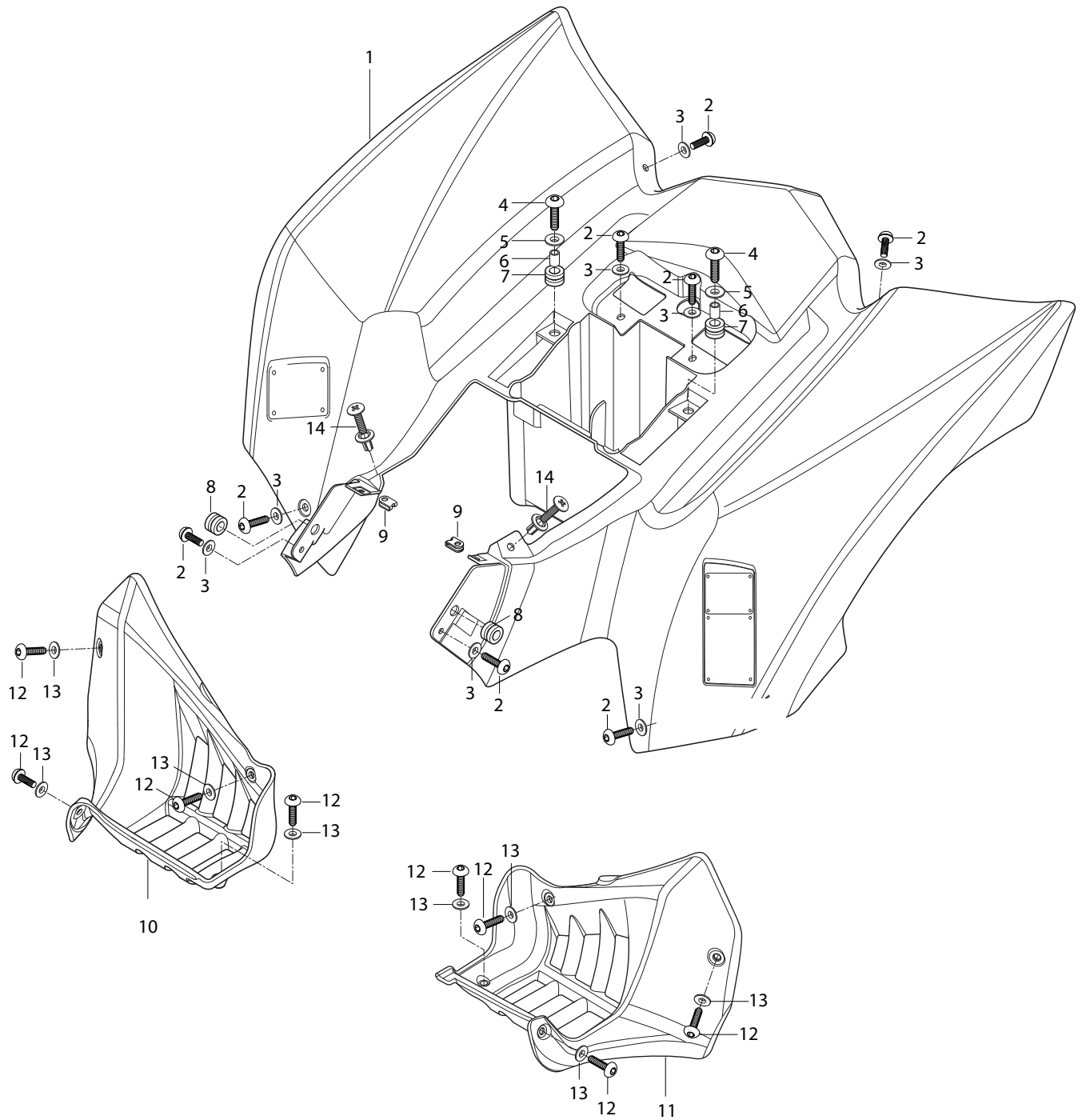


# FIG 39. HANDLE SWITCH

REF.	PARTS NAME			Q'TY	REMARKS	REC.Q'TY
NO.	7US02-UM	7US01-HSM	7CA01-CANADA			(PCS)
0	57500HP8900	57500HP8900	57500HP8900	CLUTCH LEVER ASS'Y	1	
1	57100HP8900	57100HP8900	57100HP8900	CASE ASSY, throttle	1	5
2	57211HG5800	57211HG5800	57211HG5800	GRIP, handle	2	30
3	56271H93B010BF	56271H93B010BF	56271H93B010BF	BALANCER, handlebar	2	10
4	57300HP9500	57300HP9500	57300HP9500	LEVER ASS'Y, brake	1	5
5	07110-08255	07110-08255	07110-08255	BOLT, handle balancer	2	10
6	37400HP8980	37400HP8980	37400HP8980	SWITCH ASSY, handle LH	1	10
7	57351HP8900	57351HP8900	57351HP8900	LEVER, secondary brake	1	10
8	09407-20406	09407-20406	09407-20406	CLAMP	2	
9	57460HP8900	57460HP8900	57460HP8900	SWITCH ASS'Y, clutch	1	10
10	57431HN9101	57431HN9101	57431HN9101	BOLT, brake lever pivot	1	
11	08319-21068	08319-21068	08319-21068	NUT, brake lever pivot	1	
12	57460-17C00	57460-17C00	57460-17C00	SWITCH ASS'Y STOP	1	
13	02112-74108	02112-74108	02112-74108	SCREW, stop switch	1	
14	57620HP8900	57620HP8900	57620HP8900	LEVER COMP, clutch	1	
15	57511HP8900	57511HP8900	57511HP8900	HOLDER, clutch lever	1	
16	57531HP8900	57531HP8900	57531HP8900	BOLT, clutch lever pivot	1	
17	08319-21068	08319-21068	08319-21068	NUT, clutch lever pivot	1	
18	57451H93B00	57451H93B00	57451H93B00	BOLT, clutch lever holder	1	
19	57661HP8900	57661HP8900	57661HP8900	COVER, clutch lever	1	10
20	57811HP8900	57811HP8900	57811HP8900	KNOB, parking brake lever	1	
21	57812HP8900	57812HP8900	57812HP8900	LEVER, parking brake	1	
22	09448H15003	09448H15003	09448H15003	SPRING	1	
23	02112-95105	02112-95105	02112-95105	SCREW	1	
24	57820HP8900	57820HP8900	57820HP8900	ARM COMP, parking brake	1	10
25	57825HP8900	57825HP8900	57825HP8900	CAP, PIN	1	
26	09440H14011	09440H14011	09440H14011	SPRING	1	10
27	57823HP8900	57823HP8900	57823HP8900	PIN, parking brake	1	10
28	57824HP8900	57824HP8900	57824HP8900	COVER, parking brake spring	1	10
29	02112-05125	02112-05125	02112-05125	BOLT	2	
30	02112-43085	02112-43085	02112-43085	SCREW	1	



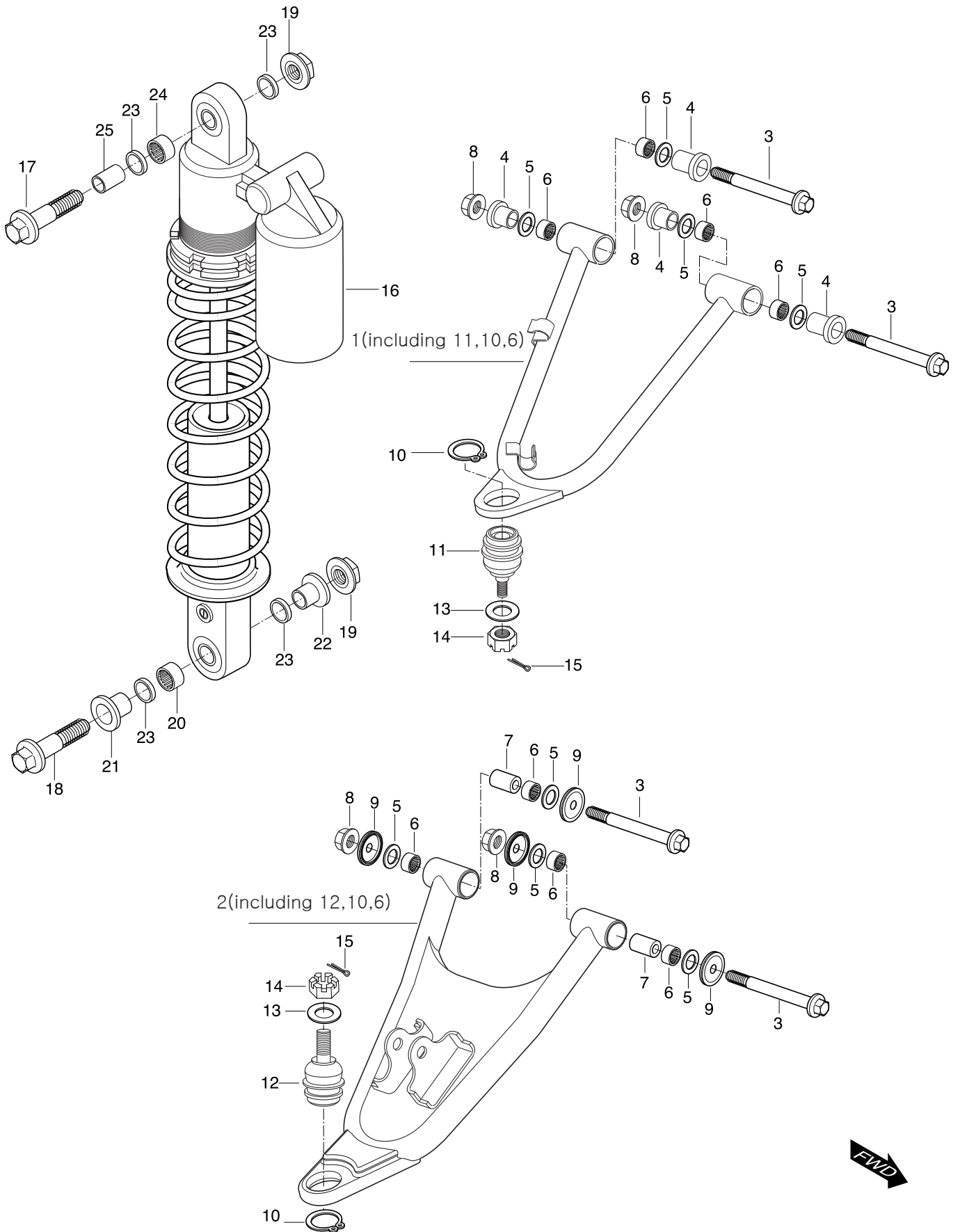
FIG 40



# FIG 40. REAR FENDER

REF.	PARTS NAME			Q'TY	REMARKS	REC.Q'TY
NO.	7US02-UM	7US01-HSM	7CA01-CANADA			(PCS)
1	63111HP89003R3	63111HP89003R3	63111HP89003R3	FENDER, rear(OLR)	1	15
	63111HP8900291	63111HP8900291	63111HP8900291	FENDER, rear(SDK )	1	
2	09106H06150	09106H06150	09106H06150	BOLT, rear fender & rear turnsignal	2	
3	09169H06078	09169H06078	09169H06078	WASHER, rear fender & rear turn signa	2	
4	09106H06200	09106H06200	09106H06200	BOTL, front fender brace & fender	2	
5	09160-06006	09160-06006	09160-06006	WASHER, front fender brace & fender	2	
6	09180-06030	09180-06030	09180-06030	SPACER, front fender brace & fender	2	
7	09320-09016	09320-09016	09320-09016	CUSHION, front fender brace & fender	2	20
8	09320-08018	09320-08018	09320-08018	CUSHION, rear fender & side cover	2	20
9	09148H05029	09148H05029	09148H05029	NUT, rear fender & side cover	2	
10	63331HP8900	63331HP8900	63331HP8900	MUDGUARD, footrest RH	1	15
11	63341HP8900	63341HP8900	63341HP8900	MUDGUARD, footrest LH	1	15
12	09106H06150	09106H06150	09106H06150	SCREW, footrest mudguard R/L	8	
13	09169H06078	09169H06078	09169H06078	WASHER, footrest mudguard R/L	8	
14	09407-08307	09407-08307	09407-08307	SCRIVET, rear fender & rear frame froi	2	
15	68144H789C00C4	68144HP89000B8	68144HP89000B8	TAPE, rear fender RH (OLR)	1	10
	68144H789C00D4	68144HP89000B9	68144HP89000B9	TAPE, rear fender RH (SDK)	1	
16	68146H789C00C4	68146HP89000B8	68146HP89000B8	TAPE, rear fender LH (OLR)	1	10
	68146H789C00D4	68146HP89000B9	68146HP89000B9	TAPE, rear fender LH (SDK)	1	
17	68320HP8950PL	68320HP8950PL	68320HP8950PL	LABEL, chain case	1	
18	68332HP8950PL	68332HP8950PL	68332HP8950PL	LABEL, air press	1	
			68332HP8970PL	LABEL, air press	1	
19	68366HP8950PL	68366HP8950PL	68366HP8950PL	LABEL, waring	1	
20	68931HP8950PL	68931HP8950PL	68931HP8950PL	LABEL, AGE 16	1	
			68931HP8970PL			

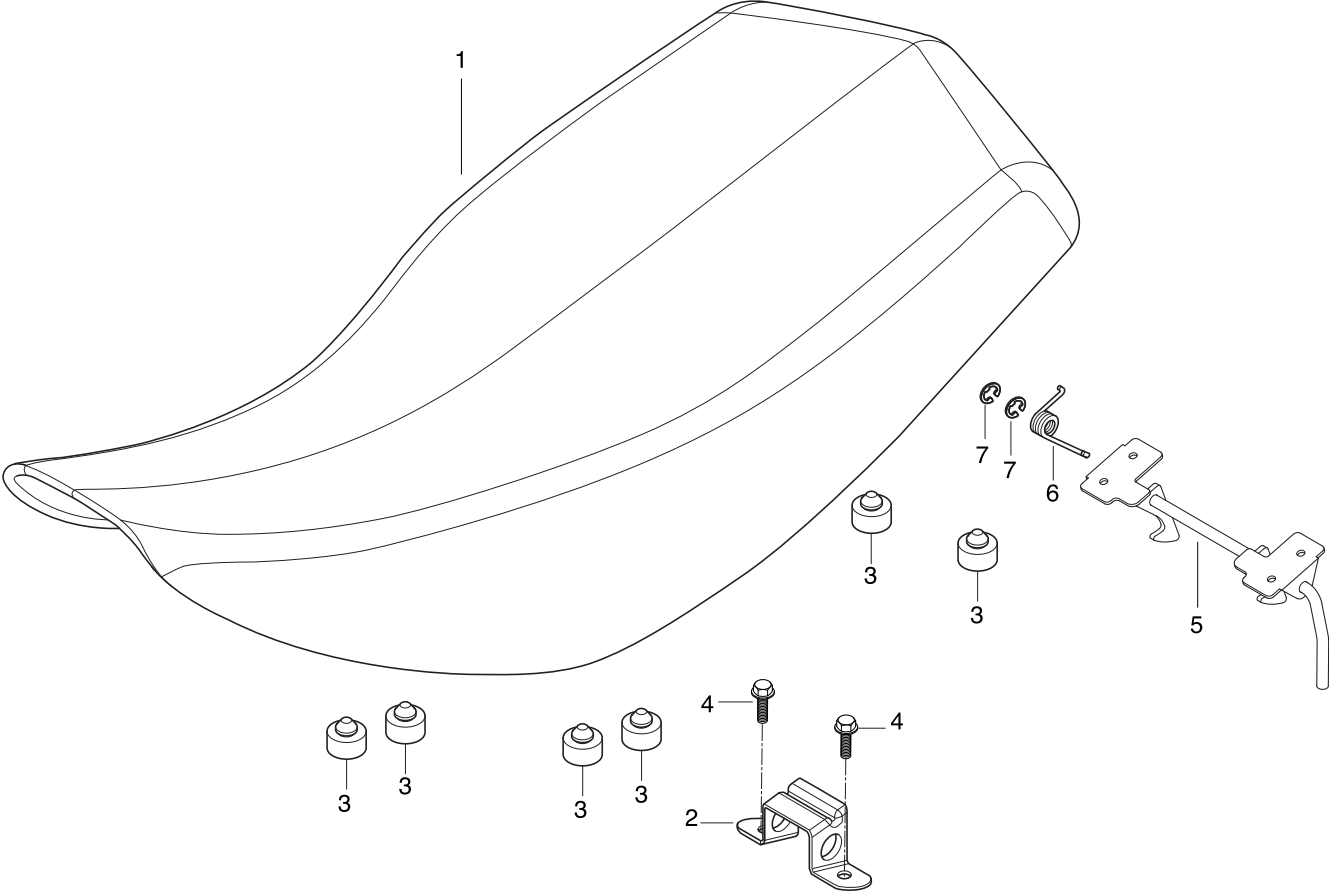
FIG 41



# FIG 41. SUSPENSION ARM RH

REF.	PARTS NAME			Q'TY	REMARKS	REC.Q'TY
NO.	7US02-UM	7US01-HSM	7CA01-CANADA			(PCS)
1	52410HP8900HPA	52410HP8900HPA	52410HP8900HPA	ARM COMP, suspension upper R	1	10
2	52450HP8900HPA	52450HP8900HPA	52450HP8900HPA	ARM COMP, suspension lower R	1	10
3	09103H10758	09103H10758	09103H10758	BOLT, suspension arm R	4	
4	52455HP8900	52455HP8900	52455HP8900	SPACER, suspensing upper arm	4	
5	09285H17001	09285H17001	09285H17001	SEAL, suspension arm	8	
6	09263H17007	09263H17007	09263H17007	BEARING, suspension arm	8	10
7	52456HP8900	52456HP8900	52456HP8900	SPACER, suspension lower arm	2	
8	08319-31108	08319-31108	08319-31108	NUT, suspension arm R	4	
9	09284H28003	09284H28003	09284H28003	DUST CAP, suspension lower arm R	4	15
10	08331-31329	08331-31329	08331-31329	CIRCLIP, knuckle steering end	2	
11	51210HP8900	51210HP8900	51210HP8900	ENG, knuckle steering upper	1	
12	51220HP8900	51220HP8900	51220HP8900	ENG, knuckle steering lower	1	
13	09160-12011	09160-12011	09160-12011	WASHER, knuckle steering end	2	
14	08314-31128	08314-31128	08314-31128	NUT, knuckle steering end	2	
15	04111-20206	04111-20206	04111-20206	COTTER PIN, knouckle steering end'	2	
16	52100HP8900	52100HP8900	52100HP8900	ABSORBER ASSY(RE D), front shock	1	10
17	61181-02C00	61181-02C00	61181-02C00	BOLT, front shock absorber ass'y upper	1	
18	09103H10101	09103H10101	09103H10101	BOLT, front shock absorber ass'y upper	1	
19	08319-31108	08319-31108	08319-31108	NUT, front shock absorber ass'y R	2	
20	09263H16002	09263H16002	09263H16002	BEARING, front shock absorber lower	1	10
21	62684HP8900	62684HP8900	62684HP8900	SPACER, ft shock absorber upper NO1	1	
22	62685HP8900	62685HP8900	62685HP8900	SPACER, ft shock absorber upper NO2	1	
23	09284H16223	09284H16223	09284H16223	SEAL, ft shock absorber upper R	4	
24	09263H16002	09263H16002	09263H16002	BEARING, ft shock absorber upper R	1	10
25	62686HP8900	62686HP8900	62686HP8900	SPACER, ft shockabsorber lower R	1	

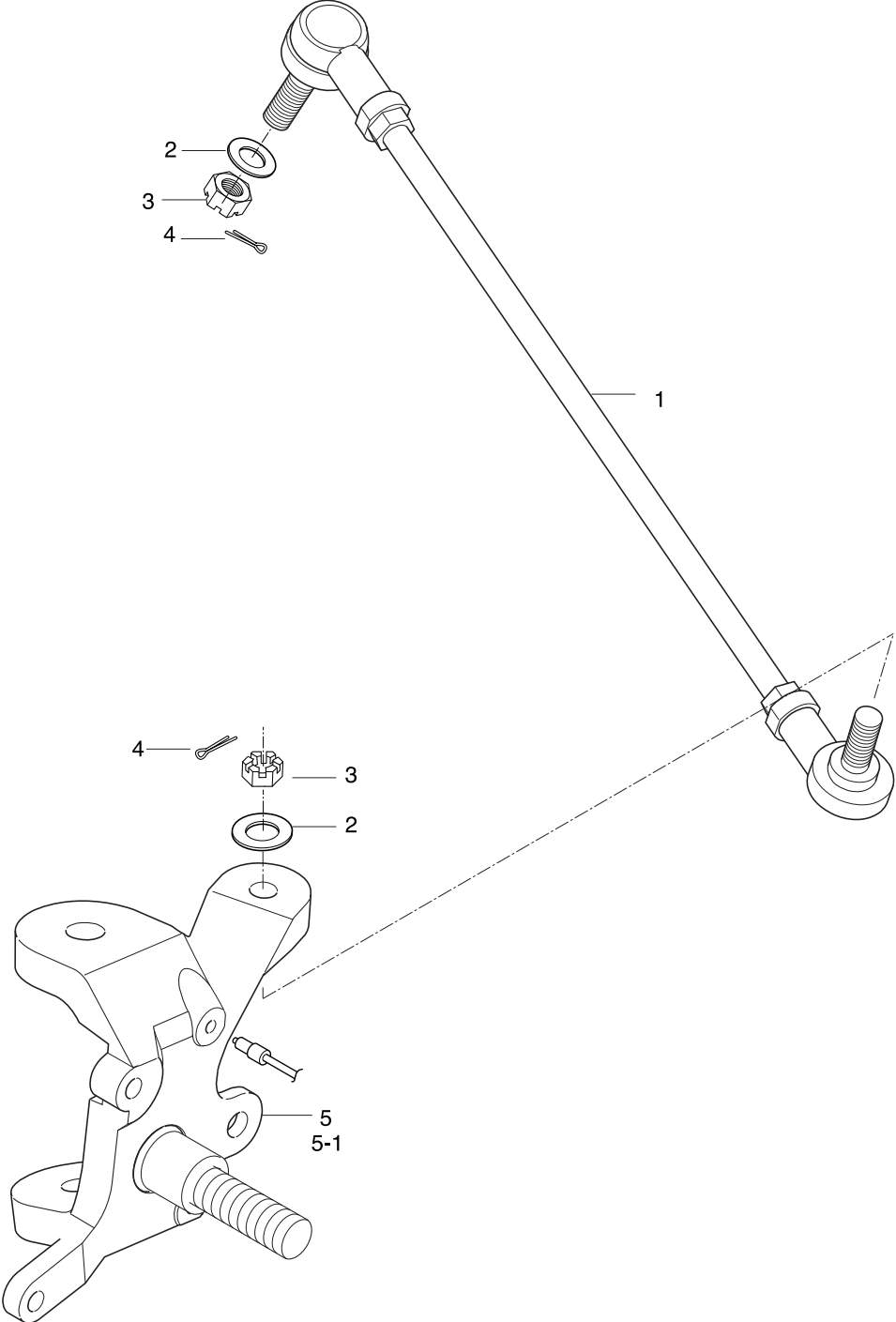
FIG 42



# FIG 42. SEAT

REF.				PARTS NAME	Q`TY	REMARKS	REC.Q'TY
NO.	7US02-UM	7US01-HSM	7CA01-CANADA				(PCS)
1	45100HP8960L06	45100HP8900L06	45100HP8900L06	SEAT SET(OLR)	1		10
	45100HP8960L07	45100HP8900L07	45100HP8900L07	SEAT SET(SDK)	1		10
2	45119-02C00	45119-02C00	45119-02C00	PLATE, seat front hook	1		
3	09321-100B2	09321-100B2	09321-100B2	CUSHION, seat set	6		20
4	01107-06256	01107-06256	01107-06256	BOLT, seat front hook plate	2		
5	45120HP8900	45120HP8900	45120HP8900	CLAMP COMP, seat	1		
6	45135-243A2	45135-243A2	45135-243A2	SPRING, seat set	1		
7	08332-11066	08332-11066	08332-11066	E-RING, seat set	2		

FIG 43

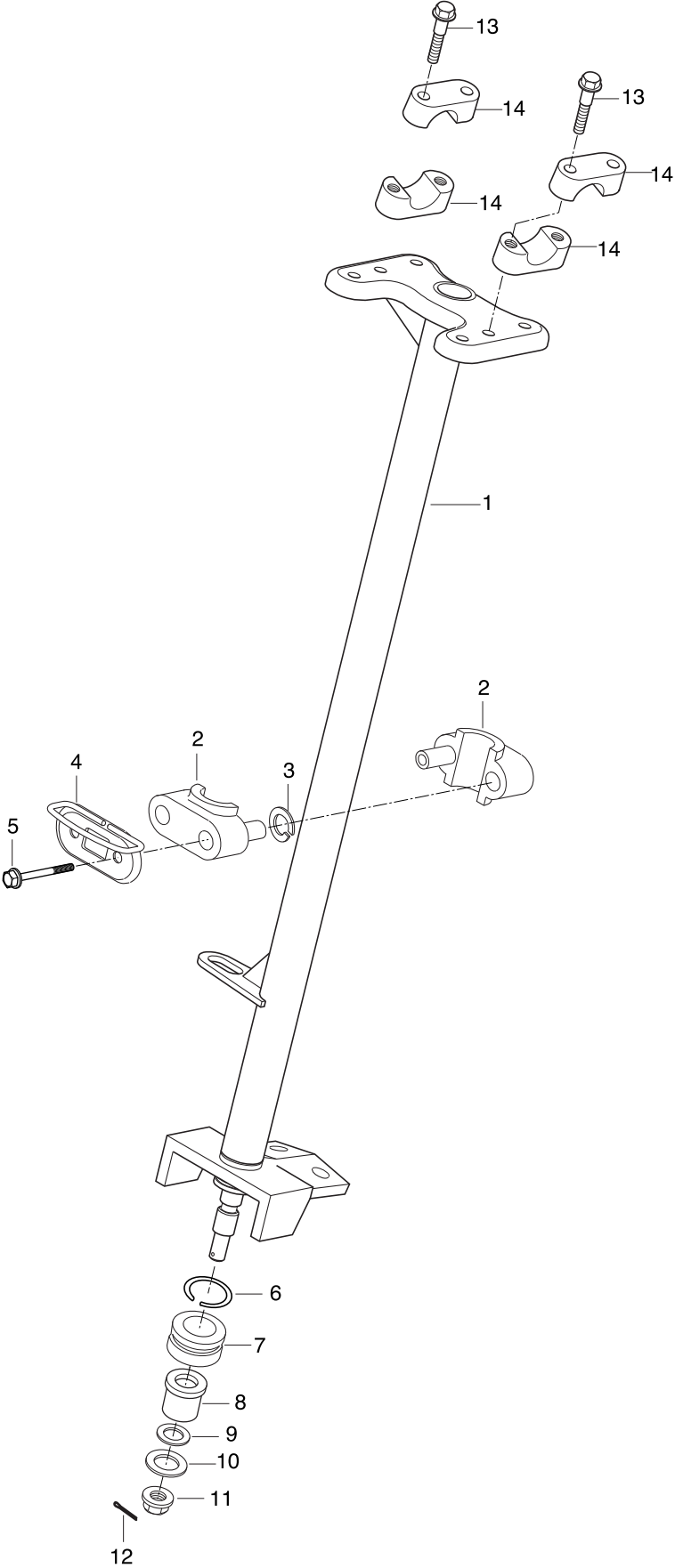


# FIG 43. KNUCKLE STEERING

REF.				PARTS NAME	Q`TY	REMARKS	REC.Q'TY
NO.	7US02-UM	7US01-HSM	7CA01-CANADA				(PCS)
1	51281HP8900	51281HP8900	51281HP8900	TIE ROD, steering	2		10
2	08322-11108	08322-11108	08322-11108	WASHER, suspension upper arm R	4		
3	08314-40103	08314-40103	08314-40103	NUT, rod end	4		
4	04111-20206	04111-20206	04111-20206	COTTER PIN, rod end	4		
5	51232HP8900HPA	51232HP8900HPA	51232HP8900HPA	KNUCKLE ASS'Y, steering L	1		10
5-1	51231HP8900HPA	51231HP8900HPA	51231HP8900HPA	KNUCKLE ASS'Y, steering R	1		10



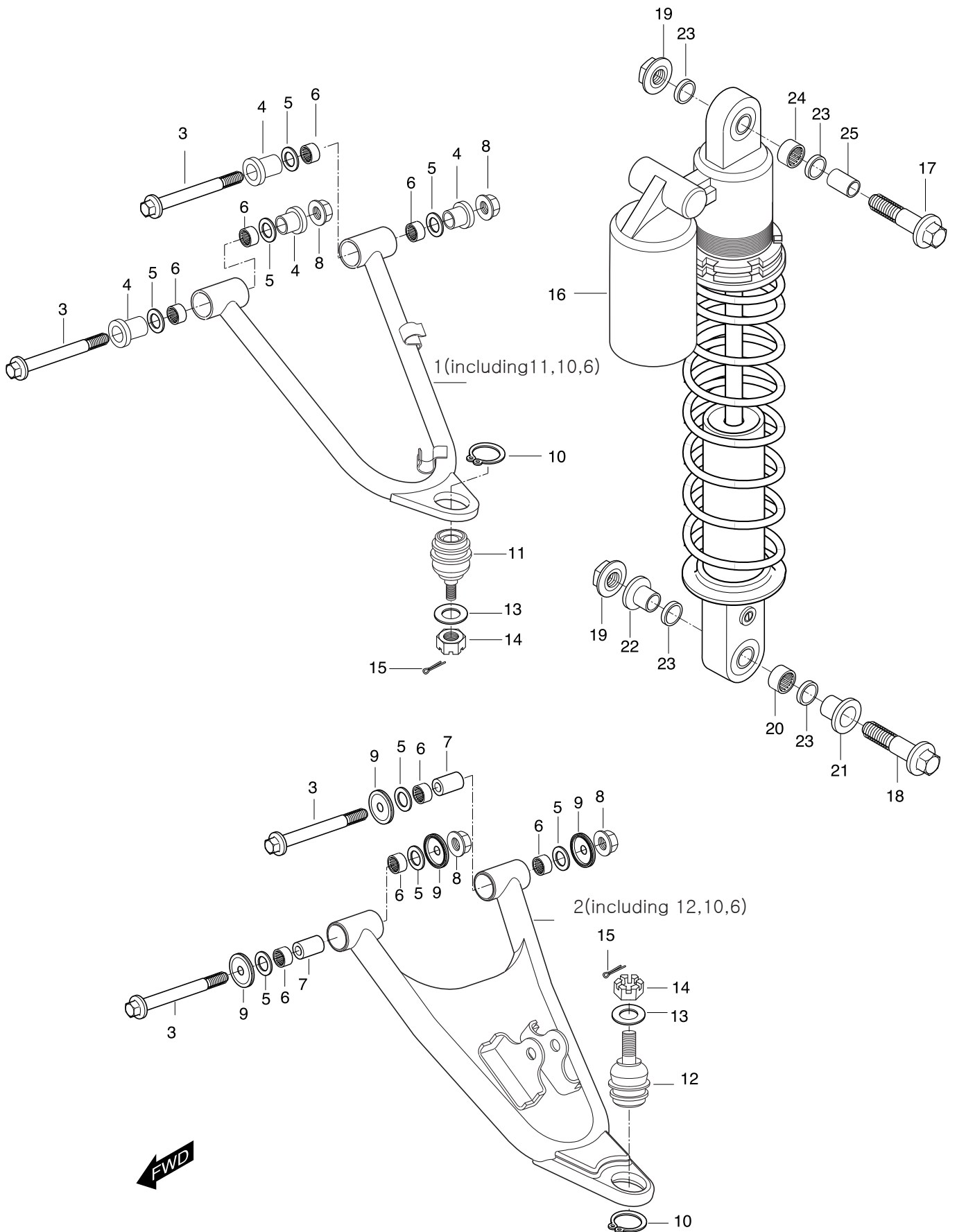
FIG 44



# FIG 44. STEERING SHAFT

REF.				PARTS NAME	Q'TY	REMARKS	REC.Q'TY
NO.	7US02-UM	7US01-HSM	7CA01-CANADA				(PCS)
1	51650HP8900	51650HP8900	51650HP8900	SHAFT COMP, steering	1		10
2	51670-245A0	51670-245A0	51670-245A0	HOLDER, steering shaft	2		20
3	51678-24500	51678-24500	51678-24500	DUST SEAL, steering shaft holder	2		30
4	51680HP8900	51680HP8900	51680HP8900	REINFORCEMENT, holder	1		10
5	09103-081B6	09103-081B6	09103-081B6	BOLT, steering holder	2		10
6	09380H30002	09380H30002	09380H30002	SNAP RING, dust seal	1		10
7	51662-18900	51662-18900	51662-18900	DUST SEAL, steering shaft	1		20
8	51661-40B00KOR	51661-40B00KOR	51661-40B00KOR	BUSH, steering shaft lower	1		10
9	09280-14003	09280-14003	09280-14003	O-RING, steering shaft lower	1		30
10	09160-10068	09160-10068	09160-10068	WASHER, steering	1		20
11	08319-31106	08319-31106	08319-31106	NUT, steering shaft	1		20
12	04111-20206	04111-20206	04111-20206	COTTER PIN, steering	1		20
13	01234-08556	01234-08556	01234-08556	BOTL, handlebar clamp	4		20
14	56211-272A0	56211-272A0	56211-272A0	CLAMP, handlebar	4		20

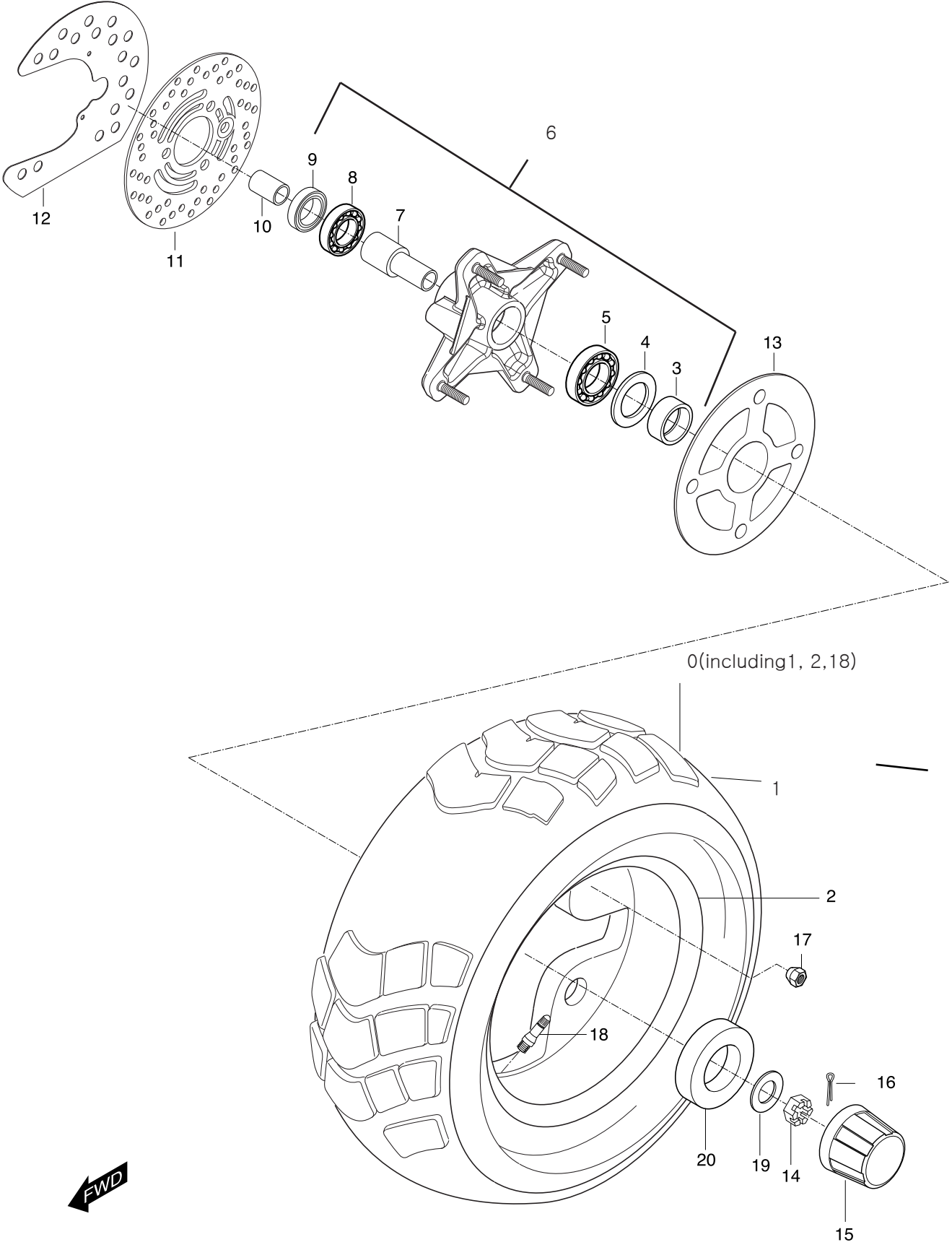
FIG 45



# FIG 45. SUSPENSION ARM LH

REF.				PARTS NAME	Q'TY	REMARKS	REC.Q'TY
NO.	7US02-UM	7US01-HSM	7CA01-CANADA				(PCS)
1	52420HP8900HPA	52420HP8900HPA	52420HP8900HPA	ARM COMP, suspension upper L	1		10
2	52460HP8900HPA	52460HP8900HPA	52460HP8900HPA	ARM COMP, suspension lower L	1		10
3	09103H10758	09103H10758	09103H10758	BOLT, suspension arm L	4		
4	52455HP8900	52455HP8900	52455HP8900	SPACER, suspension upper arm	4		
5	09285H17001	09285H17001	09285H17001	SEAL,suspension arm	8		
6	09263H17007	09263H17007	09263H17007	BEARING, suspension arm	8		10
7	52456HP8900	52456HP8900	52456HP8900	SPACER, suspension lower arm	2		
8	08319-31108	08319-31108	08319-31108	NUT, suspension arm L	4		
9	09284H28003	09284H28003	09284H28003	DUST CAP, suspension lowerarm L	4		15
10	08331-31329	08331-31329	08331-31329	CIRCLIP, knuckle steering end	2		
11	51210HP8900	51210HP8900	51210HP8900	END, knuckle steering upper	1		
12	51220HP8900	51220HP8900	51220HP8900	END, knuckle steering lower	1		
13	09160-12011	09160-12011	09160-12011	WASHER, knuckle steering end	2		
14	08314-31128	08314-31128	08314-31128	NUT, knuckle steering end	2		
15	04111-20206	04111-20206	04111-20206	COTTER PIN, knouckle steering end'	2		
16	52100HP8900	52100HP8900	52100HP8900	ABSORBER ASSY, front shock L	1		10
17	61181-02C10	61181-02C10	61181-02C10	BOLT, front shock absorber ass'y upper	1		
18	09103H10101	09103H10101	09103H10101	BOLT, front shock absorber ass'y lower	1		
19	08319-31108	08319-31108	08319-31108	NUT, front shock absorber ass'y L	2		
20	09263H16002	09263H16002	09263H16002	BEARING, ft shock absorber lower L	1		10
21	62684HP8900	62684HP8900	62684HP8900	SPACER, ft shock absorber upper NO1	1		
22	62685HP8900	62685HP8900	62685HP8900	SPACER, ft shock absorber upper NO2	1		
23	09284H16223	09284H16223	09284H16223	SEAL, ft shkck absorber upper L	4		
24	09263H16002	09263H16002	09263H16002	BEARING, ft shock absorber upper L	1		10
25	62686HP8900	62686HP8900	62686HP8900	SPACER, ft shock absorber lower L	1		

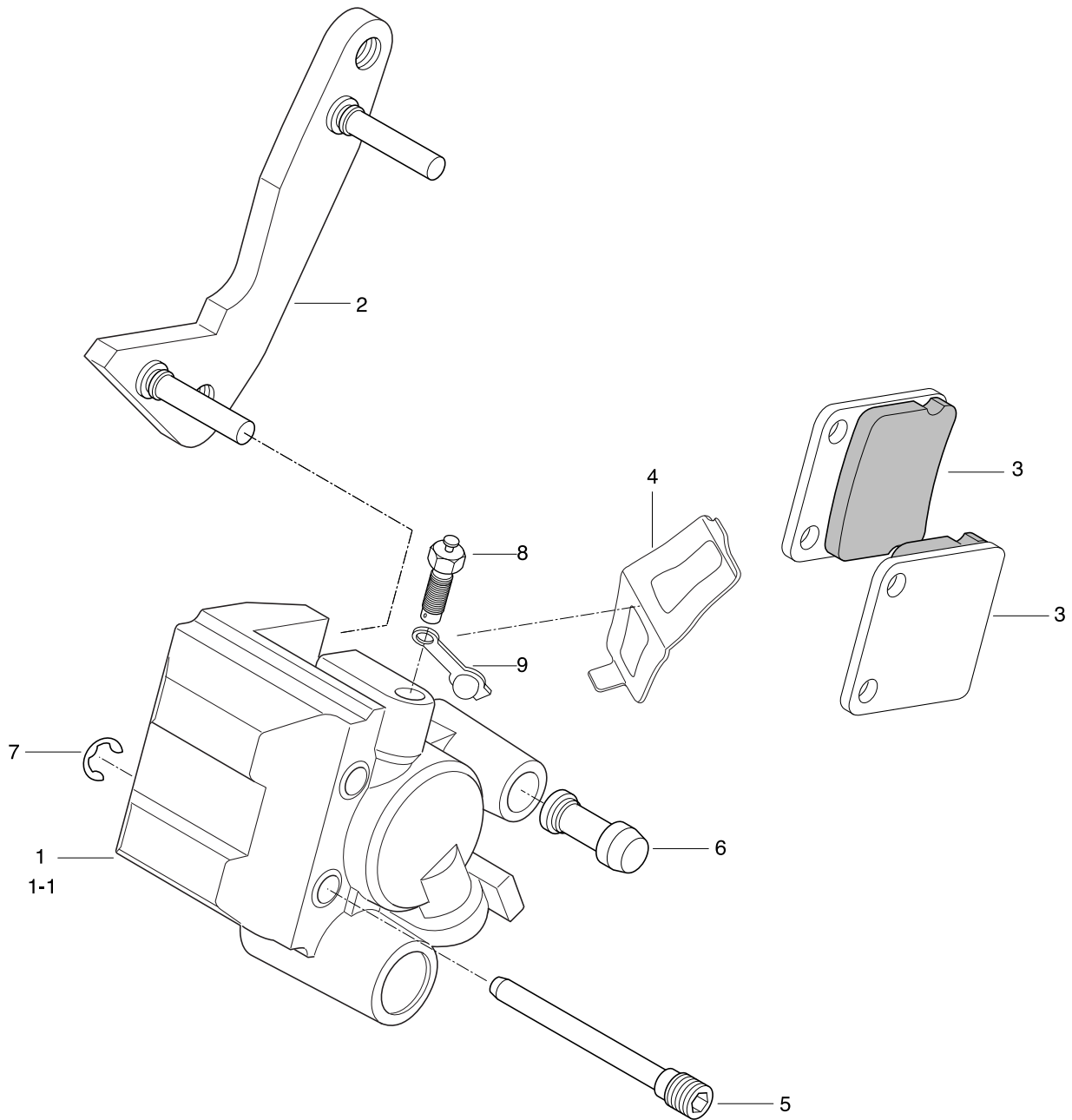
FIG 46



# FIG 46. FRONT WHEEL

REF.	PARTS NAME			Q'TY	REMARKS	REC.Q'TY
NO.	7US02-UM	7US01-HSM	7CA01-CANADA			(PCS)
0	55310SP8900HPA	55310SP8900HPA	55310SP8900HPA	TIRE+WHEEL RH ASS'Y,FT(175/75-1	1	
0-1	55410SP8900HPA	55410SP8900HPA	55410SP8900HPA	TIRE+WHEEL LH ASS'Y,FT(175/75-1	1	
1	55100HP8900	55100HP8900	55100HP8900	TIRE COMP,FT(175/75-10)	2	20
2	54150HP8900	54150HP8900	54150HP8900	WHEEL COMP, front	2	10
3	09180H20102	09180H20102	09180H20102	SPACER, front axle inner	2	
4	09284-26002	09284-26002	09284-26002	SEAL, front hub r/l inner	2	
5	08130-60037	08130-60037	08130-60037	BEARING, front hub R/l inner	2	10
6	54110HP8900HPA	54110HP8900HPA	54110HP8900HPA	HUB COMP, front	2	
7	54733HP8900	54733HP8900	54733HP8900	RETAINER, front wheel	2	
8	08130-60047	08130-60047	08130-60047	BEARING, front hub R/L outer	2	
9	09284-21001	09284-21001	09284-21001	SEAL, front hub R/L outer	2	20
10	09180H14012	09180H14012	09180H14012	SPACER, front axle outer	2	20
11	59211HP8900	59211HP8900	59211HP8900	DISK, front brake	2	15
12	59214HP8900	59214HP8900	59214HP8900	COVER, front hub inner	2	10
13	54138HP8900	54138HP8900	54138HP8900	PLATE, front hub	2	10
14	08314-40146	08314-40146	08314-40146	NUT, front axle end	2	
15	54725HK3101	54725HK3101	54725HK3101	CAP, wheel center	2	
16	04111-30258	04111-30258	04111-30258	PIN, front axle end	2	
17	09159H10098	09159H10098	09159H10098	NUT, wheel	8	
18	55220-29C20	55220-29C20	55220-29C20	VALVE, pressure control	2	
19	09164H18002	09164H18002	09164H18002	WASHER, front axle end	2	
20	64725HP8900	64725HP8900	64725HP8900	HOLDER, front center cap	2	

FIG 47

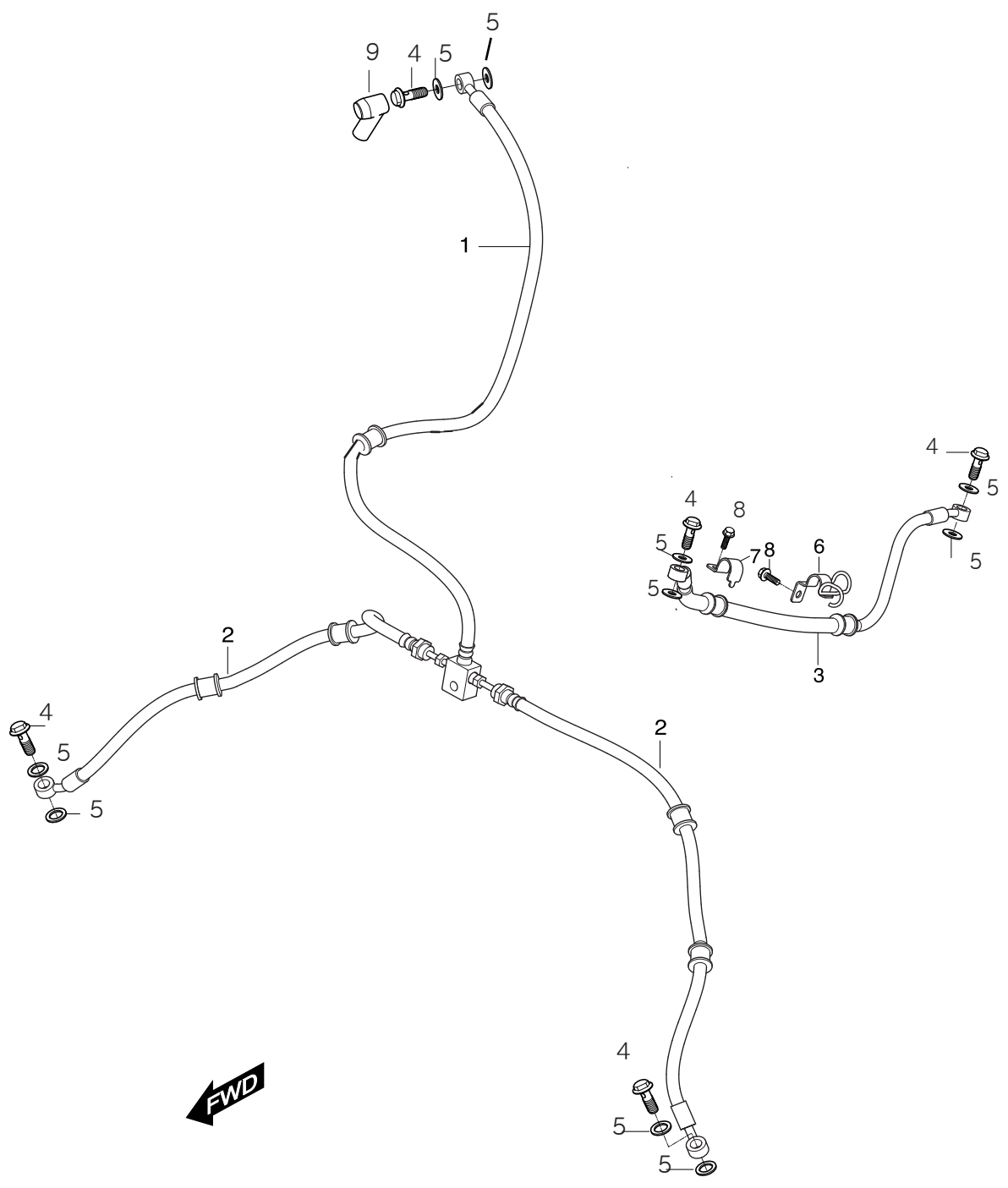


# FIG 47. FRONT CALIPER

REF.				PARTS NAME	Q'TY	REMARKS	REC.Q'TY
NO.	7US02-UM	7US01-HSM	7CA01-CANADA				(PCS)
1	59400HP8900	59400HP8900	59400HP8900	CALIPER ASS'Y R	1		10
1-1	59300HP8900	59300HP8900	59300HP8900	CALIPER ASS'Y L	1		10
2				CALIPER CARRIER	2		
3	59301HP8900	59301HP8900	59301HP8900	PAD SET, caliper	2		50
4	59315HP8900	59315HP8900	59315HP8900	SPRING	2		
5	59302HP8900	59302HP8900	59302HP8900	AXLE CALIPER PAD	4		
6	59313HP8900	59313HP8900	59313HP8900	INSULATOR CALIPER	2		
7	59303HP8900	59303HP8900	59303HP8900	E-RING	4		
8	59121HP8900	59121HP8900	59121HP8900	BREATHER	2		
9	59122HP8900	59122HP8900	59122HP8900	CAP	2		



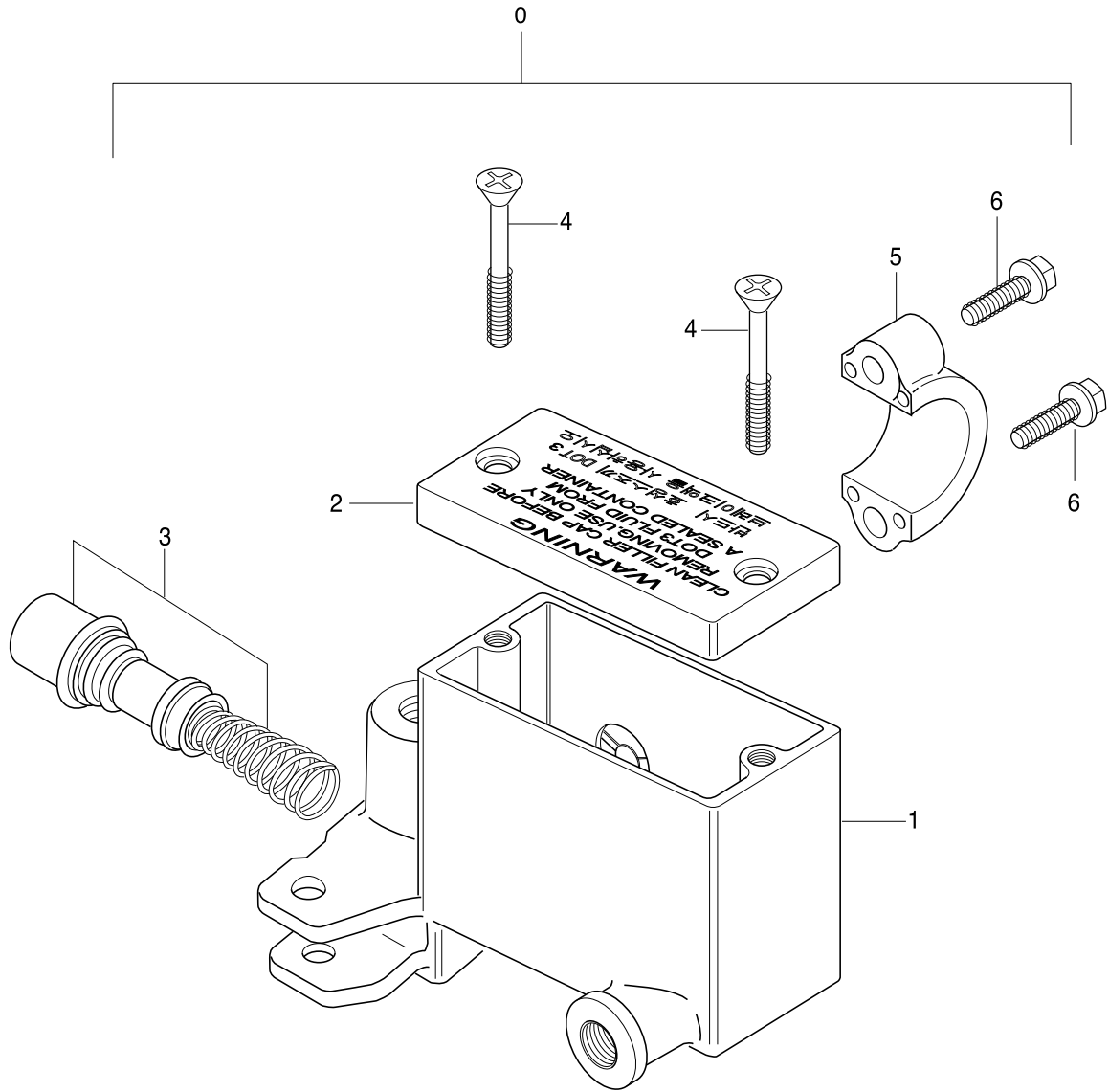
FIG 48



# FIG 48. BRAKE HOSE

REF.				PARTS NAME	Q`TY	REMARKS	REC.Q'TY
NO.	7US02-UM	7US01-HSM	7CA01-CANADA				(PCS)
1	59450HP8960	59450HP8960	59450HP8960	HOSE COMP, ft brake center	1		10
2	59450HP8900	59450HP8900	59450HP8900	HOSE COMP, ft brake R/L	2		20
3	69480HP8960	69480HP8960	69480HP8960	HOSE COMP, rr brake caliper	1		10
4	09360-10039	09360-10039	09360-10039	BOLT, front brake master	5		20
5	09161-10009	09161-10009	09161-10009	WASHER, brake fluid	10		50
6	61520HP8900	61520HP8900	61520HP8900	CLAMP COMP, rear brake hose	1		5
7	61531HP8900	61531HP8900	61531HP8900	CLAMP, rear brake hose front	1		5
8	01517-06125	01517-06125	01517-06125	BOLT, rr brale hose clamp	2		20

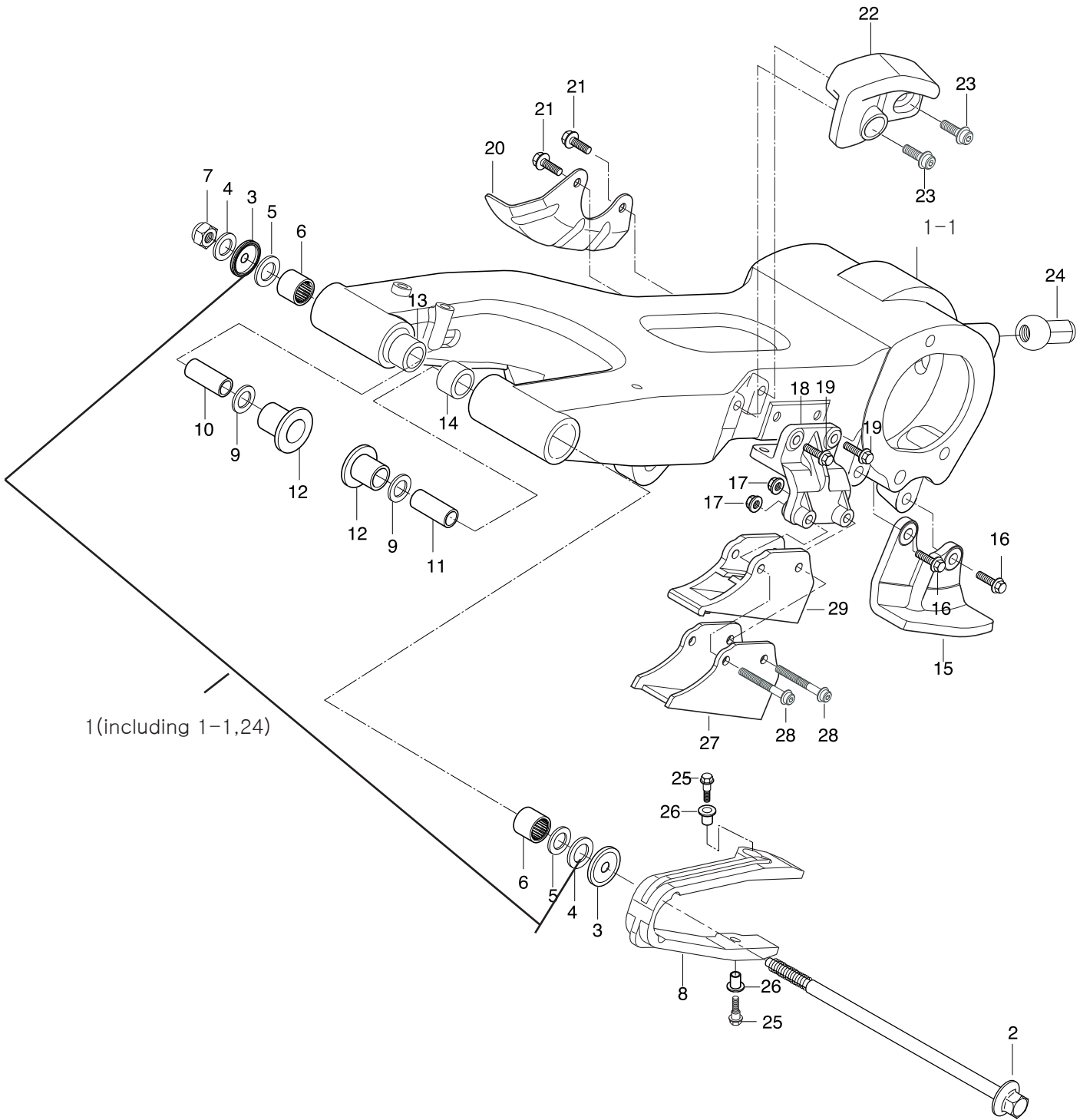
FIG 49



# FIG 49. MASTER CYLINDER

REF.				PARTS NAME	Q`TY	REMARKS	REC.Q'TY
NO.	7US02-UM	7US01-HSM	7CA01-CANADA				(PCS)
0	59600HP8900	59600HP8900	59600HP8900	CYLINDER ASSY, front master	1		10
1	59687HM8162	59687HM8162	59687HM8162	BODY, master cylinder	1		
2	59669-36510	59669-36510	59669-36510	.CAP, reservoir	1		
3	59600-35C00	59600-35C00	59600-35C00	.PISTON, SET	1		
4	59691-35C00	59691-35C00	59691-35C00	.SCREW	2		
5	59671-35C00	59671-35C00	59671-35C00	.HOLDER	1		
6	01107-35C00	01107-35C00	01107-35C00	.BOLT, holder	2		
7	59511HP9200	59511HP9200	59511HP9200	RESERVOIR CAP PLATE	1		
8	59667HP9200	59667HP9200	59667HP9200	DIAPHRAGM	1		

FIG 50



# FIG 50. REAR SWINING

REF.	PARTS NAME			Q'TY	REMARKS	REC.Q'TY
NO.	7US02-UM	7US01-HSM	7CA01-CANADA			(PCS)
1	61100HP8900HPA	61100HP8900HPA	61100HP8900HPA	SWINGINGARM ASSY,rear	1	5
2	61211HP8900	61211HP8900	61211HP8900	SHAFT, rear swingarm pivot	1	5
3	09284H38003	09284H38003	09284H38003	DUST CAP, rear swingingarm pivot	2	10
4	08211-14321	08211-14321	08211-14321	WASHER, rear swingingarm pivot dust	2	
5	09285-22001	09285-22001	09285-22001	SEAL, rear swingarmarm pivot bearing	2	
6	09263-22017	09263-22017	09263-22017	BEARING, rear swingingarm pivot	2	10
7	09159H14008	09159H14008	09159H14008	NUT, rear swingingarm pivot	1	
8	61273HN9100	61273HN9100	61273HN9100	BUFFER, chain touch defense	1	10
9	09285-22001	09285-22001	09285-22001	SEAL, rear swingingarm pivot bearing	2	20
10	61251HP8900	61251HP8900	61251HP8900	SPACER, rear swingingarm pivot R	1	10
11	61252HP8900	61252HP8900	61252HP8900	SPACER, rear swingingarm pivot L	1	10
12	61253HP8900	61253HP8900	61253HP8900	SPACER, rear swingingarm pivot	2	
13	61261HP8900	61261HP8900	61261HP8900	BUSH, rear swingingarm pivot R	1	
14	61262HP8900	61262HP8900	61262HP8900	BUSH, rear swingingarm pivot L	1	
15	61390HP8900	61390HP8900	61390HP8900	GUARD, spocket	1	10
16	01517-10306	01517-10306	01517-10306	BOLT, sprocket guard	2	
17	08316-16088	08316-16088	08316-16088	NUT, chain guide	2	
18	61154HP8900	61154HP8900	61154HP8900	BRACKET, chain guide	1	
19	07120-08608	07120-08608	07120-08608	BOLT, chain guide	2	
20	69232HP8900	69232HP8900	69232HP8900	COVER, rear disk	1	10
21	01517-10306	01517-10306	01517-10306	BOLT	2	
22	61274HP8900	61274HP8900	61274HP8900	SLIDER, chain touch defense	1	
23	07120-08208	07120-08208	07120-08208	BOLT	2	
24	61423HP8900	61423HP8900	61423HP8900	NUT, chain adhuster	1	
25	09106H06150	09106H06150	09106H06150	SCREW, chain touch defense buffer	2	
26	09169H06011	09169H06011	09169H06011	WASHER, chain touch defense buffer	2	
27	61342HP8900	61342HP8900	61342HP8900	PLATE, chain guide	1	
28	07120-08608	07120-08608	07120-08608	BOLT, chain guide	2	
29	61341HP8900	61341HP8900	61341HP8900	GUIDE, chain	1	10



# FIG 51. REAR SHOCK ABSORBER

REF.	PARTS NAME			Q'TY	REMARKS	REC.Q'TY
NO.	7US02-UM	7US01-HSM	7CA01-CANADA			(PCS)
1	62100HP8900	62100HP8900	62100HP8900	ABSORBER ASS'Y(RE D), rear shock	1	20
2	62684HP8900	62684HP8900	62684HP8900	SPACER, ft shock absorber upper NO1	1	10
3	62685HP8900	62685HP8900	62685HP8900	SPACER, ft shock absorber upper NO2	1	10
4	09263H16002	09263H16002	09263H16002	BEARING, ft shock absorber upper	1	10
5	09284H16223	09284H16223	09284H16223	SEAL, ft shock absorber upper	2	20
6	09103H10230	09103H10230	09103H10230	BOLT, rear shock absorber upper	1	
7	08319-31108	08319-31108	08319-31108	NUT, rear shock absorber upper	1	
8	09103H10101	09103H10101	09103H10101	BOLT, rear shock absorber lower	1	
9	08319-31108	08319-31108	08319-31108	NUT, rear shock absorber upper	1	
10	62960HP8900	62960HP8900	62960HP8900	HOSE COMP, rear shock absorber	1	NOT SALE
11	09360-10039	09360-10039	09360-10039	BOLT, brake hose	2	NOT SALE
12	09161-10005	09161-10005	09161-10005	WASHER, brake hose	4	NOT SALE
13	61250HP8900	61250HP8900	61250HP8900	RESERVIOR TANK	1	NOT SALE
14	62920HP8900	62920HP8900	62920HP8900	PLATE, rr shock absorber reservior tanl	1	
15	01517-06166	01517-06166	01517-06166	BOLT, rr shock absorber reservior tank	1	
16	68350HP8900	68350HP8900	68350HP8900	COVER, rear cushion lever	1	10
17	62612HP8900HPA	62612HP8900HPA	62612HP8900HPA	ROD ASS'Y, rear cushion	1	10
18	09263-20061	09263-20061	09263-20061	BEARING, rear cushion lever	2	
19	09284H20001	09284H20001	09284H20001	SEAL, rear cushion lever	2	
20	09180H14013	09180H14013	09180H14013	SPACER, rear cushion	1	
21	08319-31128	08319-31128	08319-31128	NUT, rear cushion lever front	1	
22	09180H14014	09180H14014	09180H14014	SPACER, rear cushion lever front	1	
23	09103H14756	09103H14756	09103H14756	BOLT, rear cushion lever	1	
24	09103H14076	09103H14076	09103H14076	BOLT, rear cushion lever rear	1	
25	08319-31128	08319-31128	08319-31128	NUT, rear cushion lever rear	1	
26	62611HP8900HPA	62611HP8900HPA	62611HP8900HPA	LEVER REAR ASS'Y, rear cushion	1	10
27	09263H20004	09263H20004	09263H20004	BEARING, rear cushion lever	1	
28	09284H20001	09284H20001	09284H20001	SEAL, rear cushion lever	2	
29	09180H10004	09180H10004	09180H10004	SPACER, rear shock absorber lower	1	
30	09263-20061	09263-20061	09263-20061	BEARING, rear cushion lever	2	

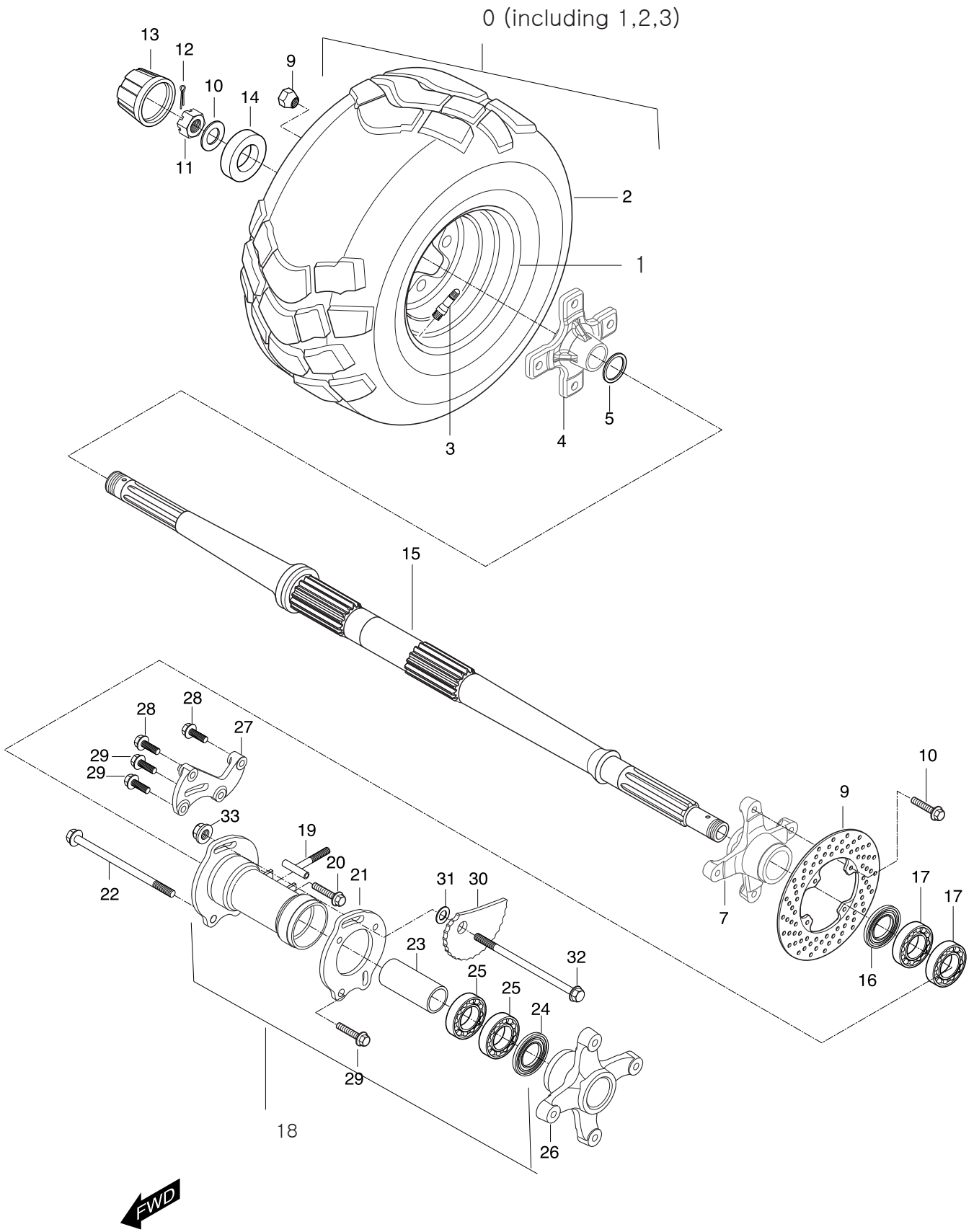




# FIG 51. REAR SHOCKABSORBER

REF.				PARTS NAME	Q'TY	REMARKS	REC.Q'TY
NO.	7US02-UM	7US01-HSM	7CA01-CANADA				(PCS)
31	09284H20001	09284H20001	09284H20001	SEAL, rear cushion lever	2		
32	09180H14013	09180H14013	09180H14013	SPACER, rear cushion	2		
33	09180H14014	09180H14014	09180H14014	SPACER, rear cushion lever front	1		
34	09103H14756	09103H14756	09103H14756	BOLT, rear cushion lever	1		
35	08319-31128	08319-31128	08319-31128	NUT, rear cushion lever front	1		
36	09263-20061	09263-20061	09263-20061	BEARING, rear cushion lever	2		
37	09284H20001	09284H20001	09284H20001	SEAL, rear cushion lever	2		
38	09180H14013	09180H14013	09180H14013	SPACER, rear cushion	2		
39	09180H14011	09180H14011	09180H14011	SPACER, rear cushion lever rear	1		
40	09106H06150	09106H06150	09106H06150	BOLT, rear cushion lever cover	2		

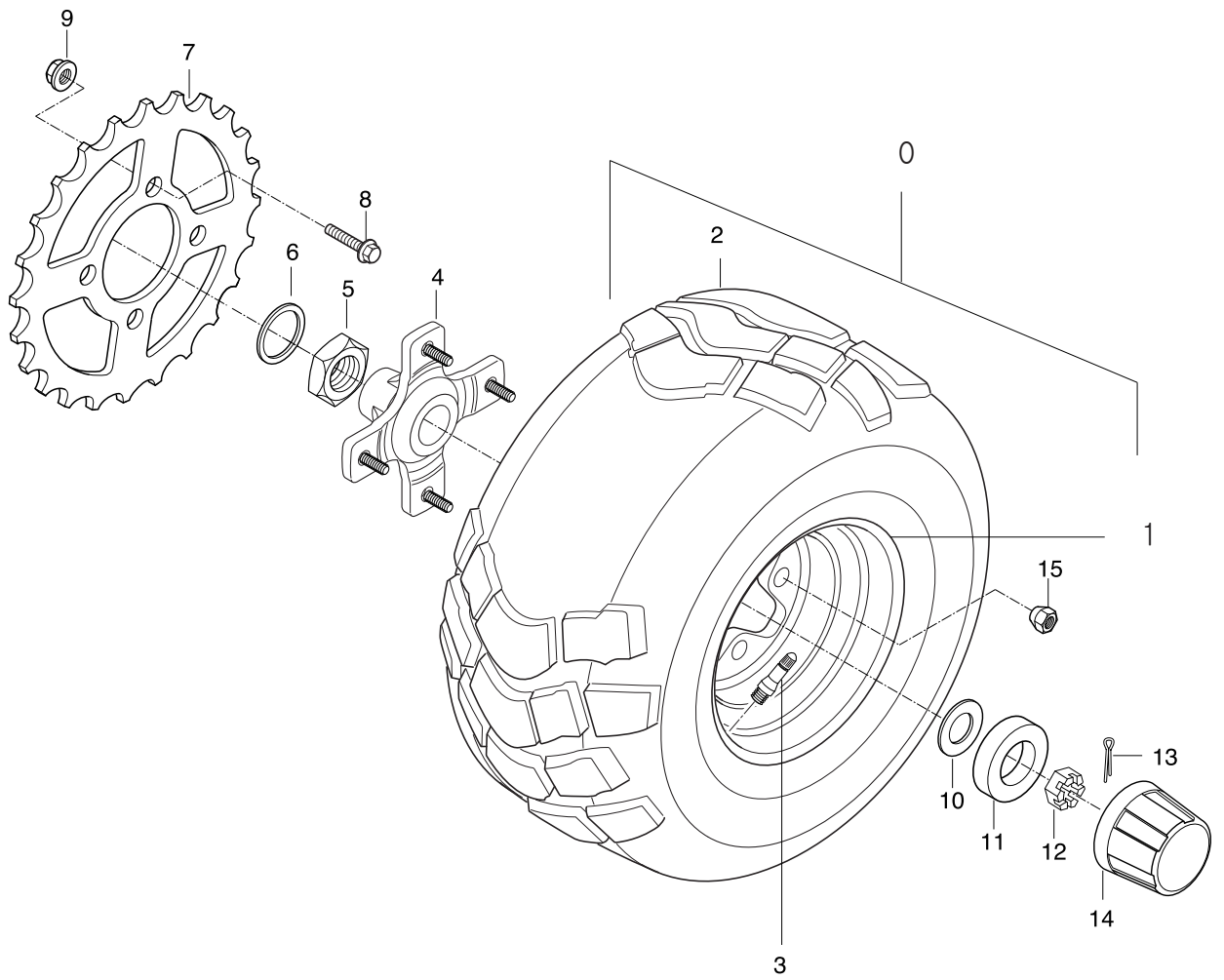
FIG 52



# FIG 52. AXLE, REAR

REF.	PARTS NAME			Q'TY	REMARKS	REC.Q'TY
NO.	7US02-UM	7US01-HSM	7CA01-CANADA			(PCS)
0	65310SP8900HPA	65310SP8900HPA	65310SP8900HPA	TIRE+WHEEL RH ASS'Y, rear	1	
1	64150HP8900	64150HP8900	64150HP8900	WHEEL COMP, rear	1	5
2	65100HP8900	65100HP8900	65100HP8900	TIRE COMP, rear	1	10
3	55220-29C20	55220-29C20	55220-29C20	VALVE, pressure control	1	
4	64110HP8900HPA	64110HP8900HPA	64110HP8900HPA	HUB COMP, rear	1	
5	09180H44001	09180H44001	09180H44001	SPACER, rear axle R	1	
6	69221HP8900	69221HP8900	69221HP8900	FLANGE, rear disk	1	
7	69211HP8900	69211HP8900	69211HP8900	DISK, rear brake	1	10
8	59421-03A01	59421-03A01	59421-03A01	BOLT, rr disk flange	4	
9	09159H10098	09159H10098	09159H10098	NUT, rear wheel	4	20
10	09164H18001	09164H18001	09164H18001	WASHER, rear axle	1	10
11	09141-18008	09141-18008	09141-18008	NUT, rear axle end	1	10
12	04111-40328	04111-40328	04111-40328	COTTER PIN REAR HUB	1	20
13	54725HK3101	54725HK3101	54725HK3101	CAP, wheel center	1	20
14	64726HP8900	64726HP8900	64726HP8900	HOLDER, front center cap	1	
15	64711HP8900	64711HP8900	64711HP8900	AXLE, rear	1	5
16	09283-50006	09283-50006	09283-50006	SEAL, rear axle	1	
17	08130-60087	08130-60087	08130-60087	BEARING, rear axle	2	
18	64720HP8900HPA	64720HP8900HPA	64720HP8900HPA	HOUSING ASS'Y, rear axle bearing	1	
19	61420HP8900	61420HP8900	61420HP8900	BOLT COMP, chain adjuster	1	
20	43919HP8900	43919HP8900	43919HP8900	BOLT, chain adjuster	1	
21	64750HP890003P	64750HP890003P	64750HP890003P	PLATER, housing L	1	
22	09103H12056	09103H12056	09103H12056	BOTL, housing	1	
23	64731HP8900	64731HP8900	64731HP8900	SPACER, rear axle bearing	1	
24	09283-50006	09283-50006	09283-50006	SEAL, rear axle	1	
25	08130-60087	08130-60087	08130-60087	BEARING, rear axle	2	
26	64611HP8900HPA	64611HP8900HPA	64611HP8900HPA	FLANGE ASS'Y, sprocket mounting	1	
27	69341HP8900	69341HP8900	69341HP8900	CARRIER, caliper	1	
28	07120-08258	07120-08258	07120-08258	CALIPER ASSY REAR BOLT(M8 X 1	2	
29	07120-10306	07120-10306	07120-10306	BOLT(M10 X 1.25P)	4	
30	64755HP8900	64755HP8900	64755HP8900	STAY, housing	1	
31	08322-21108	08322-21108	08322-21108	WASHER, stay housing	2	
32	09103H10122	09103H10122	09103H10122	BOLT, rr axle housing & plate No.2	1	
33	08316-26108	08316-26108	08316-26108	NUT, rr axle housing & plate No.2	1	

FIG 53

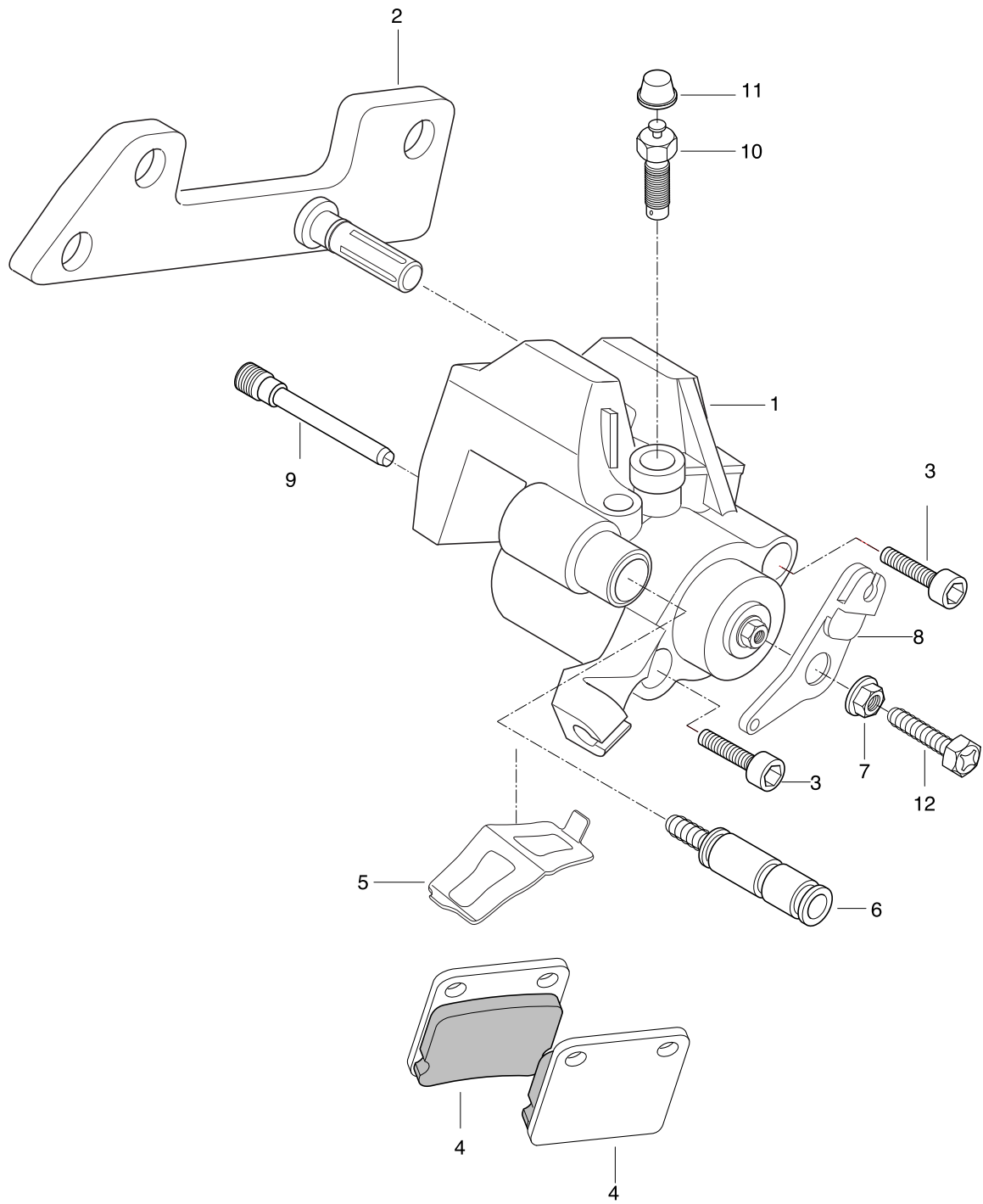


FWD

# FIG 53. REAR WHEEL LH

REF.	PARTS NAME			Q'TY	REMARKS	REC.Q'TY
NO.	7US02-UM	7US01-HSM	7CA01-CANADA			(PCS)
0	65410SP8900HPA	65410SP8900HPA	65410SP8900HPA	TIRE+WHEEL LH ASS'Y, rear	1	
1	64150HP8900	64150HP8900	64150HP8900	WHEEL COMP, rear	1	5
2	65100HP8900	65100HP8900	65100HP8900	TIRE COMP, rear	1	10
3	55220-29C20	55220-29C20	55220-29C20	VALVE, pressure control	1	
4	09180H44001	09180H44001	09180H44001	SPACER, rear axle L	1	
5	09140H36103	09140H36103	09140H36103	NUT, axle No.1	1	
6	09140H36163	09140H36163	09140H36163	NUT, axle No.2	1	
7	64511HP8900	64511HP8900	64511HP8900	SPROCKET, rear(44T)	1	5
8	09106H08308	09106H08308	09106H08308	BOLT, sprocket mtg flange	4	
9	08319-31088	08319-31088	08319-31088	NUT, sprocket mtg flange	4	
10	09160-18009	09160-18009	09160-18009	WASHER, rear axle	1	10
11	64726HP8900	64726HP8900	64726HP8900	HOLDER, front center cap	1	10
12	09141-18008	09141-18008	09141-18008	NUT, rear axle end	1	10
13	04111-40328	04111-40328	04111-40328	COTTER PIN REAR HUB	1	20
14	54725HK3101	54725HK3101	54725HK3101	CAP, wheel center	1	20
15	09159H10098	09159H10098	09159H10098	NUT, rear wheel	4	20

FIG 54



# FIG 54. REAR CALIPER

REF.				PARTS NAME	Q'TY	REMARKS	REC.Q'TY
NO.	7US02-UM	7US01-HSM	7CA01-CANADA				(PCS)
1	69300HP8900	69300HP8900	69300HP8900	CALIPER ASS'Y, rear	1		10
2				BRACKET CALIPER	1		
3	69330HP8900	69330HP8900	69330HP8900	BOLTS, connet back cover	2		
4	69301HP8900	69301HP8900	69301HP8900	PAD SET, caliper	1		50
5	69350HP8900	69350HP8900	69350HP8900	SPRING PAD	1		
6	69340HP8900	69340HP8900	69340HP8900	PIN BOLT	1		
7	69320HP8900	69320HP8900	69320HP8900	NUT COMP	1		
8	69360HP8900	69360HP8900	69360HP8900	CONNECT PART, tigtwire	1		
9	69370HP8900	69370HP8900	69370HP8900	PIN, hanger	2		
10	69381HP8900	69381HP8900	69381HP8900	BOLT, shaft	1		
11	59122HP8900	59122HP8900	59122HP8900	CAP	1		
12	69781HP8900	69781HP8900	69781HP8900	BOLT, shaft	1		



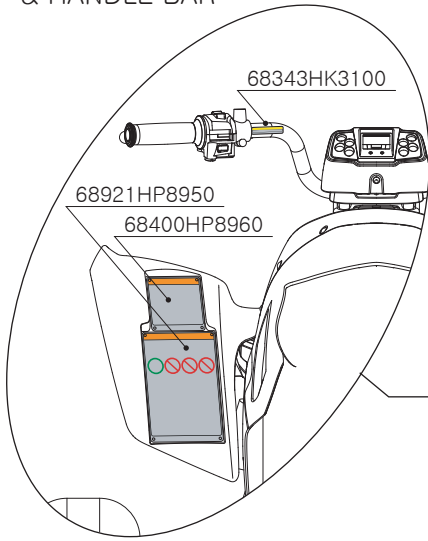
# SHIM, TAPPET

12892HP8900-0-230  
12892HP8900-0-232  
12892HP8900-0-235  
12892HP8900-0-238  
12892HP8900-0-240  
12892HP8900-0-242  
12892HP8900-0-245  
12892HP8900-0-248  
12892HP8900-0-250  
12892HP8900-0-252  
12892HP8900-0-255  
12892HP8900-0-258  
12892HP8900-0-260  
12892HP8900-0-262  
12892HP8900-0-265  
12892HP8900-0-268  
12892HP8900-0-270  
12892HP8900-0-272  
12892HP8900-0-275  
12892HP8900-0-278  
12892HP8900-0-280  
12892HP8900-0-282  
12892HP8900-0-285  
12892HP8900-0-288  
12892HP8900-0-290  
12892HP8900-0-292  
12892HP8900-0-295  
12892HP8900-0-298  
12892HP8900-0-300  
12892HP8900-0-302  
12892HP8900-0-305  
12892HP8900-0-308  
12892HP8900-0-310  
12892HP8900-0-312  
12892HP8900-0-315  
12892HP8900-0-318  
12892HP8900-0-320

12892HP8900-0-322  
12892HP8900-0-325  
12892HP8900-0-328  
12892HP8900-0-330  
12892HP8900-0-332  
12892HP8900-0-335  
12892HP8900-0-338  
12892HP8900-0-340  
12892HP8900-0-342  
12892HP8900-0-345  
12892HP8900-0-348  
12892HP8900-0-350

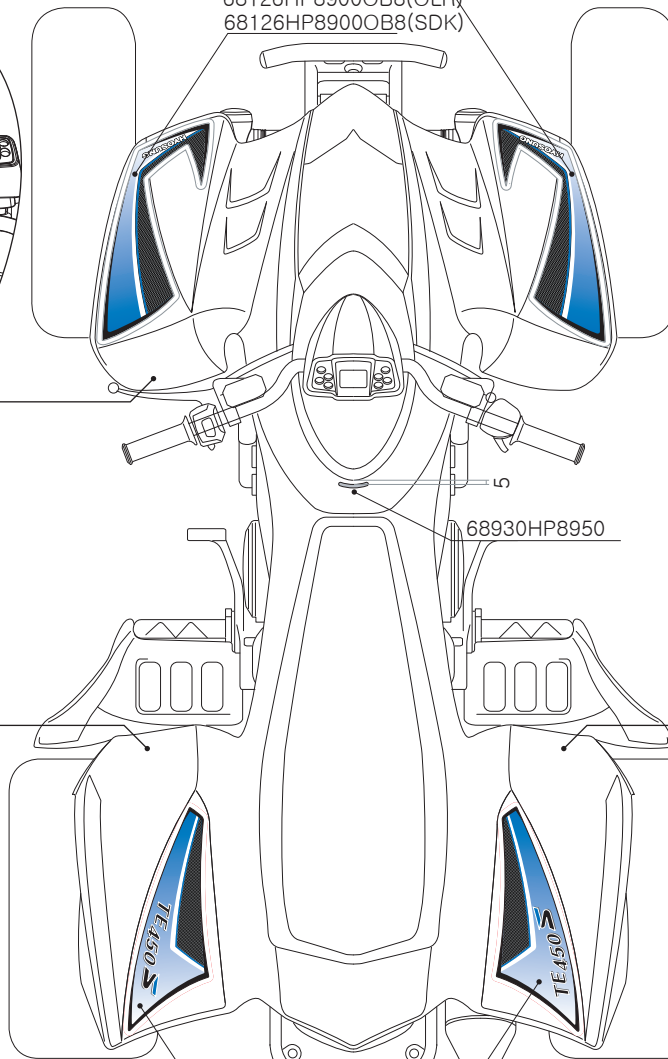
# LABEL NUMBER FOR TE450(HYOSUNG)

FENDER, FRONT L  
& HANDLE BAR

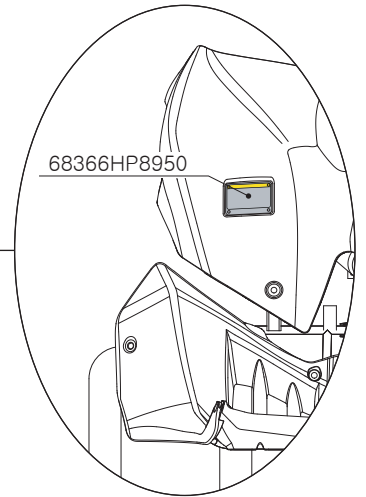


68124HP89000B8(OLR)  
68124HP89000B9(SDK)

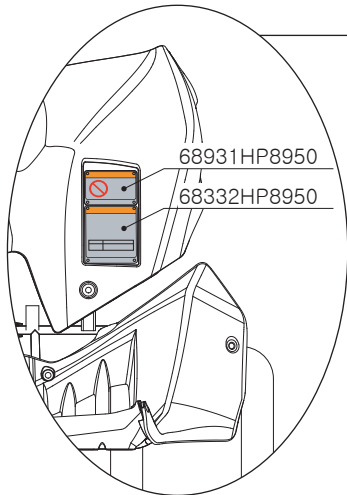
68126HP89000B8(OLR)  
68126HP89000B8(SDK)



FENDER, REAR R



FENDER, REAR L



COVER, ENGINE SPROCKET

