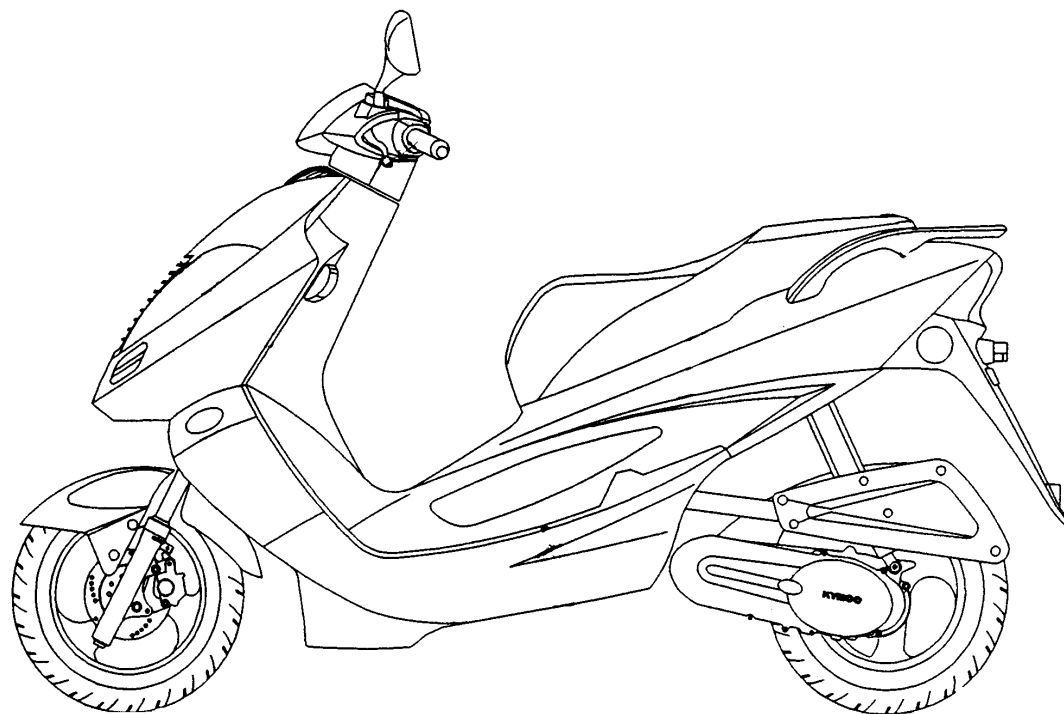




B&W 150

零件型錄
PARTS CATALOGUE

SH30CA(US) : DEC/13/'05 制訂



光陽機車

KYMCO

光陽機車

KYMCO

光陽機車

KYMCO

前 言

- 本零件目錄適用於 SH30CA(US) 機種，訂購零件時，請參照本冊。
- 本冊之配色表僅供參考，若與實車不符之處，以實車為準。
- 販賣記號(Sales mark)：
 - 1、註明 ★★ 記號，表示訂購該零件時，請參照機車相片及配色表，並請在基本零件號碼最後加上色碼。
- 本冊付梓印刷倉促，倘有錯誤或遺漏之處，敬請不吝賜教指正。

ABOUT THIS PARTS LIST

- This parts list is compiled all service parts for model SH30CA(US)。
- Any difference between color chart and motorcycle will be revised according to motorcycle。
- The sales mark：
 - 1、marking "★★" must add color code in the end before ordering parts。
- When modification or additions to this parts list are made a revised edition at an appropriate time。

目 次

| | |
|----------------------|-----|
| ●前 言 | 1 |
| ●SH30CA(US) 配色表..... | 5 |
| ●引擎分組圖 | 7 |
| ●車架分組圖 | 9 |
| ●引擎零件號碼表..... | 13 |
| ●車架零件號碼表..... | 45 |
| ●零件號碼索引 | 119 |

CONTENTS

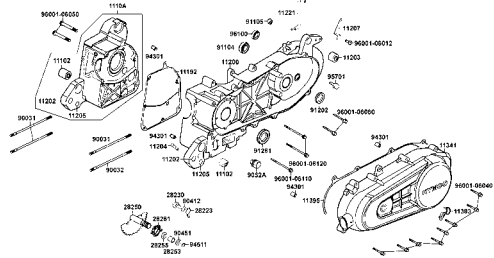
| | |
|---------------------------------|-----|
| ●ABOUT THIS PARTS LIST..... | 1 |
| ●COLOR CHART OF SH30CA(US)..... | 5 |
| ●CONTENTS-ENGINE GROUP | 7 |
| ●CONTENTS-FRAME GROUP | 9 |
| ●ENGINE PARTS LIST | 13 |
| ●FRAME PARTS LIST..... | 45 |
| ●PART NO. INDEX..... | 119 |

| 項次 | 機種名稱 (MODEL) | | | SH30CA(US) COLOR CHART | | | | |
|-----|-------------------------------|------------------|----------|------------------------|----------|--------------------|----------|---------------|
| | 相片號碼 (PHOTO NO) | | | NO.1 | NO.2 | NO.3 | NO.4 | NO.5 |
| | 主體色 (BASIC COLOR) | | | 亮銀 | 深藍 | 深鐵灰 | 豔紅 | 水晶藍 |
| | 色碼 (CODE) | | | NH045MA | PB183MA | NH124MAA | RR004CA | PB041MA |
| NO. | 色別零件名稱(PARTS NAME) | 基本零件號碼(PARTS NO) | 版數(VER.) | Bright Silver | Ruby Red | Dark Gray Metallic | Ruby Red | Cryst al Blue |
| 1 | COVER FRONT | 64301-KHE7-900 | 2 | N8P | BHP | NFP | R1P | B5P |
| 2 | COVER R BODY | 83500-KHD8-900 | 3 | | | | | |
| 3 | COVER L BODY | 83600-KHD8-900 | 3 | | | | | |
| 4 | MIRROR ASSY R BACK | 88110-KHD8-900 | 2 | | | | | |
| 5 | MIRROR ASSY L BACK | 88120-KHD8-900 | 2 | | | | | |
| 6 | COVER CENTER | 80151-KHD8-900 | 2 | | | | | |
| 7 | FENDER FR | 61110-KHD8-900 | 2 | | | | | |
| 8 | COVER HANDLE UP | 53205-KHD8-900 | 1 | | | | | |
| 9 | MOLDING FR | 64302-KHD8-900 | 0 | | | | | |
| 10 | SKIRT R SIDE | 64305-KHD8-900 | 0 | | | | | |
| 11 | SKIRT L SIDE | 64306-KHD8-900 | 0 | | | | | |
| 12 | CARRIER REAR | 81200-KHD8-900 | 1 | N8P | | | | |
| 13 | COVER HANDLE LOW | 53206-KHD8-M30 | 2 | N1R | | | | |
| 14 | COVER HANDLE RR | 53207-KHD8-900 | 1 | | | | | |
| 15 | COWL UNDER | 64400-KHD8-900 | 1 | | | | | |
| 16 | FLOOR PANEL | 64310-KHD8-900 | 0 | | | | | |
| 17 | MAT R FLOOR | 64320-KHD8-900 | 2 | | | | | |
| 18 | MAT L FLOOR | 64321-KHD8-900 | 2 | | | | | |
| 19 | LEG SHIELD | 81131-KHD8-M30 | 0 | | | | | |
| 20 | COVER R GRILL | 64351-KHD8-900 | 0 | | | | | |
| 21 | COVER L GRILL | 64361-KHD8-900 | 0 | | | | | |
| 22 | GRIP COMP THROT | 53140-KFC8-900 | 0 | | | | | |
| 23 | GRIP L HANDLE | 53166-KNBN-911 | 0 | | | | | |
| 24 | COVER BATTERY | 50326-KHD8-900 | 2 | | | | | |
| 25 | COVER UNDER | 50621-KEBE-E00 | 3 | | | | | |
| 26 | LID LEG SHIELD | 81132-KEB7-900 | 1 | | | | | |
| 27 | COLLAR FUEL CAP | 17623-KEBE-900 | 1 | | | | | |
| 28 | PLUG RR CARRIER | 81201-KHD8-900 | 1 | | | | | |
| 29 | PLUG FLOOR PANEL | 64316-KEB7-900 | 0 | | | | | |
| 30 | COVER FR TOP | 64303-KHE7-900 | 1 | | | | | |
| 31 | FORK ASSY R FR | 51400-KHD8-900 | 1 | NJA | | | | |
| 32 | FORK ASSY L FR | 5150A-KHD8-900 | 1 | | | | | |
| 33 | WHEEL SET FRONT | 44650-KHD8-30A | 3 | | | | | |
| 34 | WHEEL SET FRONT | 44650-KHD8-30B | 3 | | | | | |
| 35 | WHEEL SET FRONT | 44650-KHD8-30C | 4 | | | | | |
| 36 | WHEEL REAR CAST | 42601-KHD8-90A | 1 | | | | | |
| 37 | WHEEL REAR CAST | 42601-KHD8-90B | 1 | | | | | |
| | 生產日期 (DATE OF STARTING-SALES) | | | | | | | |
| | 停產日期 (DATE OF ENDING-SALES) | | | | | | | |

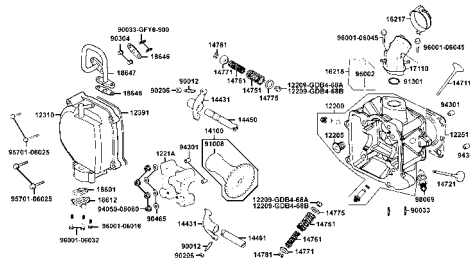
| 項次 | 機種名稱 (MODEL) | | | SH30CA(US) COLOR CHART | | | | |
|-------------------------------|---------------------|------------------|----------|------------------------|--------------------|---------------|--------------------|---------------|
| | 相片號碼 (PHOTO NO) | | | NO.1 | NO.2 | NO.3 | NO.4 | NO.5 |
| | 主體色 (BASIC COLOR) | | | 亮銀 | 深藍 | 深鐵灰 | 深鐵灰 | 水晶藍 |
| | 色碼 (CODE) | | | NH045MA | PB183MA | NH124MAA | NH124MAB | PB041MA |
| NO. | 色別零件名稱(PARTS NAME) | 基本零件號碼(PARTS NO) | 版數(VER.) | Bright Silver | Deep Blue Metallic | Cryst al Blue | Dark Gray Metallic | Cryst al Blue |
| 38 | WHEEL REAR CAST | 42601-KHD8-90C | 1 | NJA | | | | |
| 39 | CALIPER ASSY FRONT | 45200-KHD8-E90 | 0 | | | | | |
| 40 | CALIPER ASSY REAR | 43100-KHD8-900 | 0 | | | | | |
| 41 | LEVER R STRG HANDLE | 53175-KFA5-E10 | 0 | M3A | | | | |
| 42 | LEVER L STRG HANDLE | 53178-KFC8-E10 | 0 | | | | | |
| 43 | GRILL R BODY COVER | 83501-KHD8-900 | 4 | N1S | | | | |
| 44 | GRILL L BODY COVER | 83601-KHD8-900 | 4 | | | | | |
| 45 | COVER R TUNNEL | 64331-KHD8-900 | 0 | N4T | | | | |
| 46 | COVER L TUNNEL | 64341-KHD8-900 | 0 | | | | | |
| 47 | COVER LEFT | 11341-KHD8-900 | 0 | N8A | | | | |
| 48 | SEAT ASSY | 77200-KHD8-E00 | 1 | T02 | | | | |
| 49 | MARK MIT | 87571-KBE2-A40 | 1 | T02 | T01 | | T01 | T02 |
| 50 | MARK DRIVE CAUTION | 87560-GFY6-E00 | 3 | T01 | | | | |
| 51 | LABEL TIRE | 87505-KHD8-E00 | 0 | | | | | |
| 52 | EMB B BOUY COVER | 86212-KHD8-E00 | 0 | | | | | |
| | | | | | | | | |
| | | | | | | | | |
| | | | | | | | | |
| | | | | | | | | |
| | | | | | | | | |
| | | | | | | | | |
| | | | | | | | | |
| | | | | | | | | |
| | | | | | | | | |
| | | | | | | | | |
| | | | | | | | | |
| | | | | | | | | |
| | | | | | | | | |
| | | | | | | | | |
| | | | | | | | | |
| | | | | | | | | |
| | | | | | | | | |
| 生產日期 (DATE OF STARTING-SALES) | | | | | | | | |
| 停產日期 (DATE OF ENDING-SALES) | | | | | | | | |

CONTENTS-ENGINE GROUP

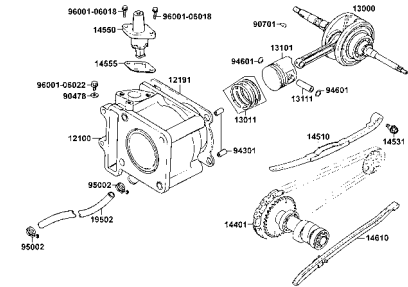
E1 Crank Case



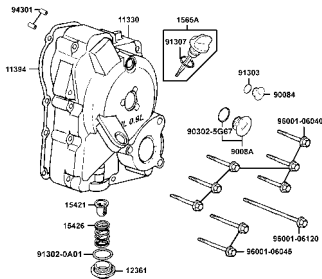
E2 Cylinder Head Cover Cylinder Head



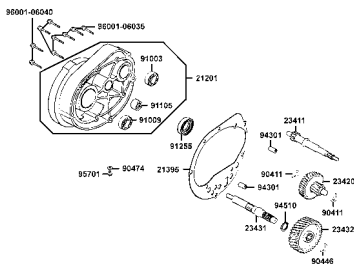
E3 Cylinder Piston Crankshaft



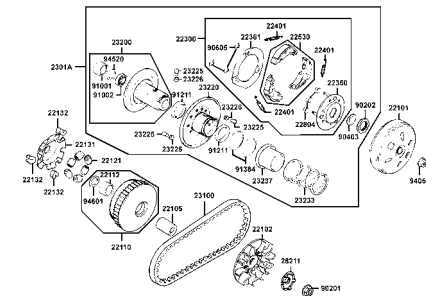
E4 Right Crankcase Cover



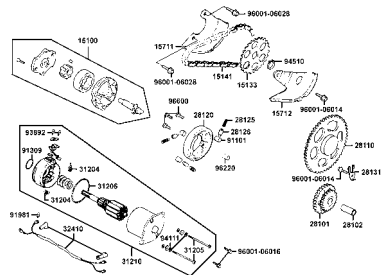
E5 Transmission



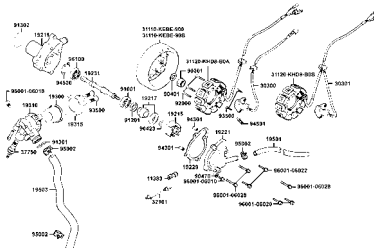
E6 Drive Pulley



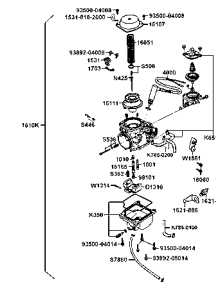
E7 Starting Motor Oil Pump



E8 Generator Water Pump

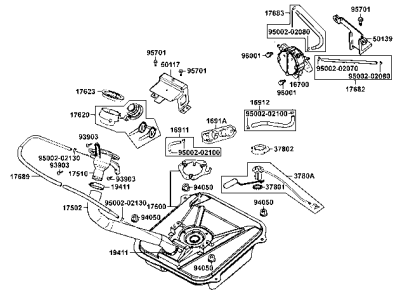


E9 Carburetor

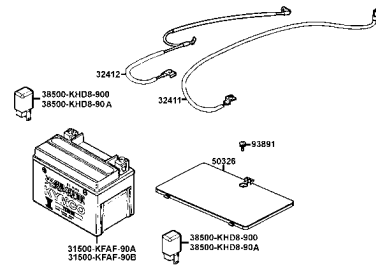


CONTENTS-FRAME GROUP

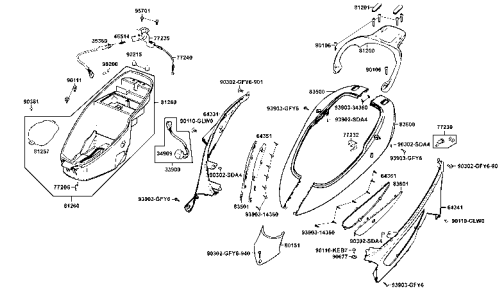
F10 Fuel Tank



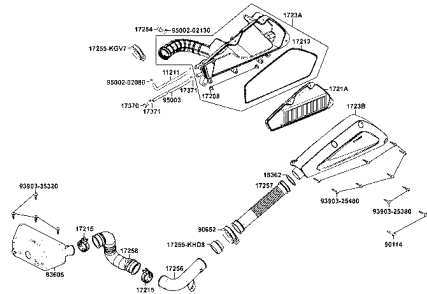
F11 Battery



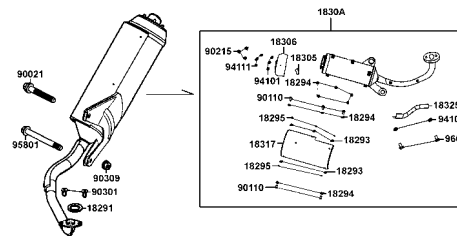
F12 Body Cover Luggage Box



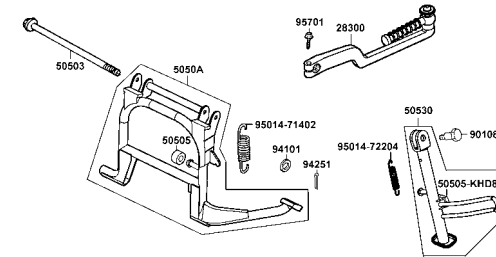
F13 Air Cleaner



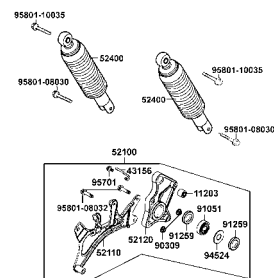
F14 Exhaust Muffler



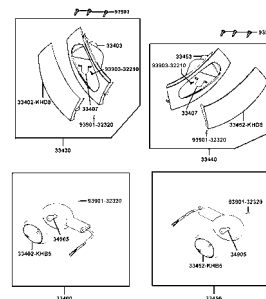
F15 Stand Kick Starter Arm



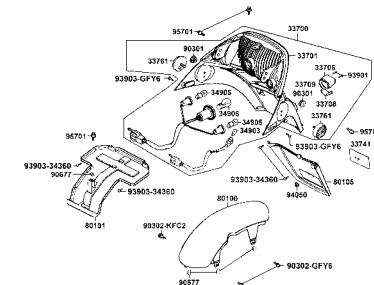
F16 Rear Cushion

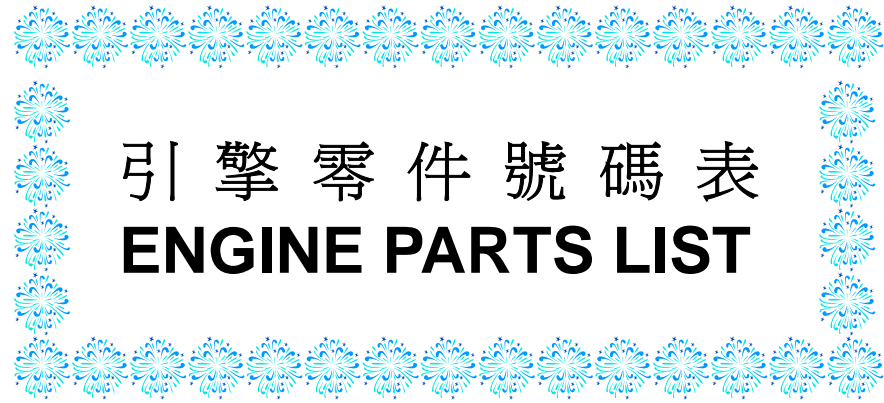


F17 Front Winker



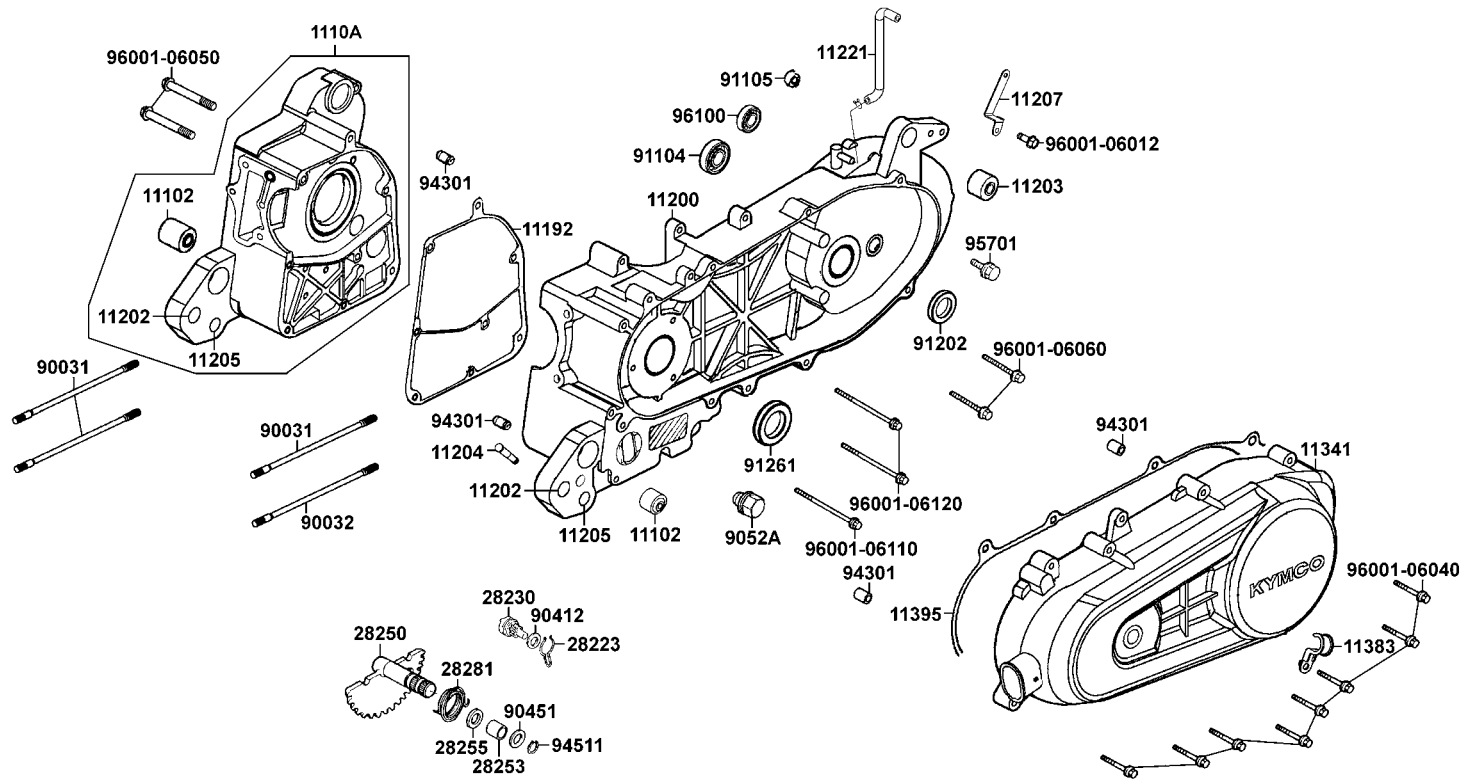
F18 Rear Light Rear Fender





引擎零件號碼表
ENGINE PARTS LIST

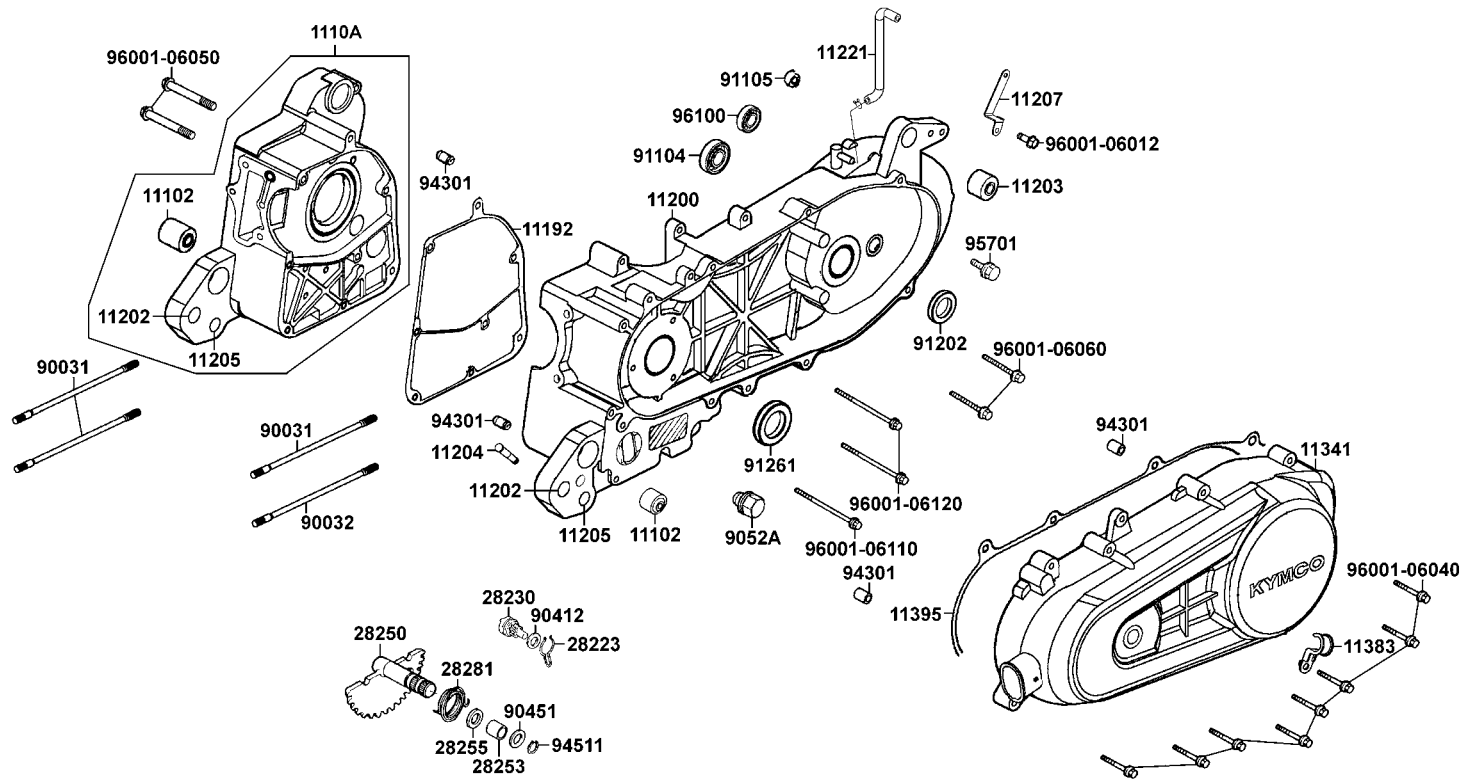
E 1 Crank Case



| 販賣記號 Sales mark | 項目 Ref no | 零件號碼 Part no | 版數 Ver | 英文名稱 Description | 中文名稱 Chinese | 需要用量 Regd no | 參考價 Ref Price |
|-----------------------|--------------|-----------------|-----------|-----------------------------|-----------------|-----------------|------------------|
| | | 11102-1G87-004 | 3 | RUB BUSH ENG HANGER | 引擎吊架襯套 | 2 | |
| | | 1110A-KEBE-900 | 4 | CRANK CASE ASSY R | 右曲軸箱組 | 1 | |
| | | 11192-KEBE-900 | 0 | GASKET CRANK CASE A | 曲軸箱墊片 | 1 | |
| | | 11200-KFC8-305 | 2 | CRANK CASE SET L | 左曲軸箱組 | 1 | |
| | | 11202-KEBE-900 | 0 | BUSH HANGER A | 引擎吊架襯套 A | 2 | |
| | | 11203-GGC7-301 | 2 | UNDER BUSH REAR CUSHION | 後緩衝下襯套 | 1 | |
| | | 11204-KNBN-901 | 0 | PIN SPG HOOK | 固定銷 | 1 | |
| | | 11205-KNBN-901 | 0 | BUSH M STAND | 襯套 | 2 | |
| | | 11207-KHD8-900 | 4 | STAY RR FENDER | 後土除支架 | 1 | |
| | | 11221-KHD8-900 | 0 | TUBE BREATHER MISSION | 主軸箱通氣管 | 1 | |
| ** | | 11341-KFC8-900 | 0 | COVER LEFT | 左曲軸箱蓋 | 1 | |
| | | 11383-GFY6-901 | 2 | CLAMPER BREATHER DRAIN TUBE | 通氣管夾 | 1 | |
| | | 11395-KFC8-900 | 0 | GASKET L COVER A | 左曲軸箱蓋墊片 A | 1 | |
| | | 28223-KNBN-901 | 0 | SPG KICK DRIVEN GEAR | 起動惰齒輪彈簧 | 1 | |
| | | 28230-KNBN-901 | 0 | GEAR COMP KICK DRIVEN | 起動惰齒輪 | 1 | |
| | | 28250-KFC8-900 | 0 | SPINDLE COMP KICK STARTER | 起動臂軸 | 1 | |
| | | 28253-GBN2-60A | 0 | BUSH KICK SPINDLE | 起動臂軸襯套 | 1 | |
| | | 28255-GFS6-001 | 0 | COLLAR KICK BOSS | 套筒 | 1 | |
| | | 28281-KKC2-900 | 0 | SPG KICK RETURN | 起動彈簧 | 1 | |
| | | 90031-KEBE-900 | 0 | BOLT A STUD 8MM | 雙頭螺絲 8MM | 3 | |

E 1

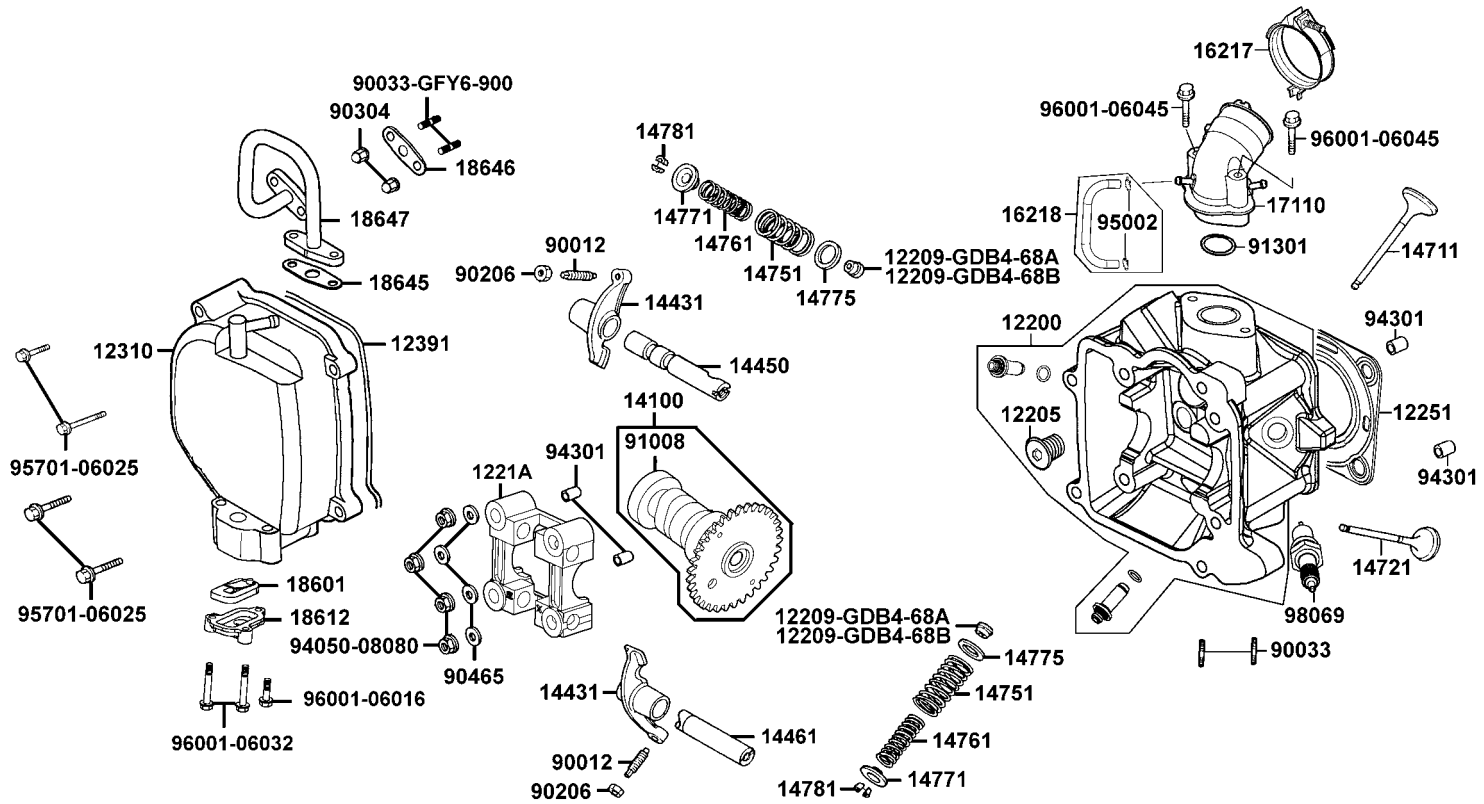
E 1 Crank Case



| 販賣記號 Sales mark | 項目 Ref no | 零件號碼 Part no | 版數 Ver | 英文名稱 Description | 中文名稱 Chinese | 需要用量 Regd no | 參考價 Ref Price |
|-----------------------|--------------|-----------------|-----------|----------------------|-----------------|-----------------|------------------|
| | | 90032-KEBE-900 | 0 | BOLT B STUD 8MM | 雙頭螺絲 8MM | 1 | |
| | | 90412-3K29-001 | 0 | WASHER THRUST 10MM | 華司 10MM | 1 | |
| | | 90451-GBN2-601 | 0 | WASHER KICK SPINDLE | 華司 | 1 | |
| | | 9052A-GFY6-950 | 1 | BOLT ASSY DRAIN PLUG | 洩油螺絲 | 1 | |
| | | 91104-KGN7-671 | 0 | BRG BALL RADIAL 6204 | 軸承 6204 | 1 | |
| | | 91105-KGN7-672 | 0 | BEARING NEEDLE | 滾針軸承 | 1 | |
| | | 91202-KKJ9-004 | 0 | OIL SEAL 20*32*6 | 油封 20*32*6 | 1 | |
| | | 91261-4E15-004 | 0 | OIL SEAL 25*40*8 | 油封 25*40*8 | 1 | |
| | | 94301-08140 | 0 | DOWEL PIN 8*14 | 定位銷 8*14 | 4 | |
| | | 94511-14000 | 0 | CIR CLIP EX 14 | 外環夾 14MM | 1 | |
| | | 95701-08012-08 | 0 | BOLT FLANGE 8*12 | 螺絲 8*12 | 1 | |
| | | 96001-06012-08 | 0 | BOLT FLANGE 6*12 | 螺絲 6*12 | 1 | |
| | | 96001-06040-08 | 0 | BOLT FLANGE SH 6*40 | 螺絲 6*40 | 8 | |
| | | 96001-06050-08 | 0 | BOLT FLANGE 6*50 | 螺絲 6*50 | 2 | |
| | | 96001-06060-08 | 0 | BOLT FLANGE SH 6*60 | 螺絲 6*60 | 2 | |
| | | 96001-06110-08 | 0 | BOLT FLANGE SH 6*110 | 螺絲 6*110 | 1 | |
| | | 96001-06120-08 | 0 | BOLT FLANGE SH 6*120 | 螺絲 6*120 | 2 | |
| | | 96100-62030-00 | 0 | BRG BALL RADIAL 6203 | 軸承 6203 | 1 | |

E 1

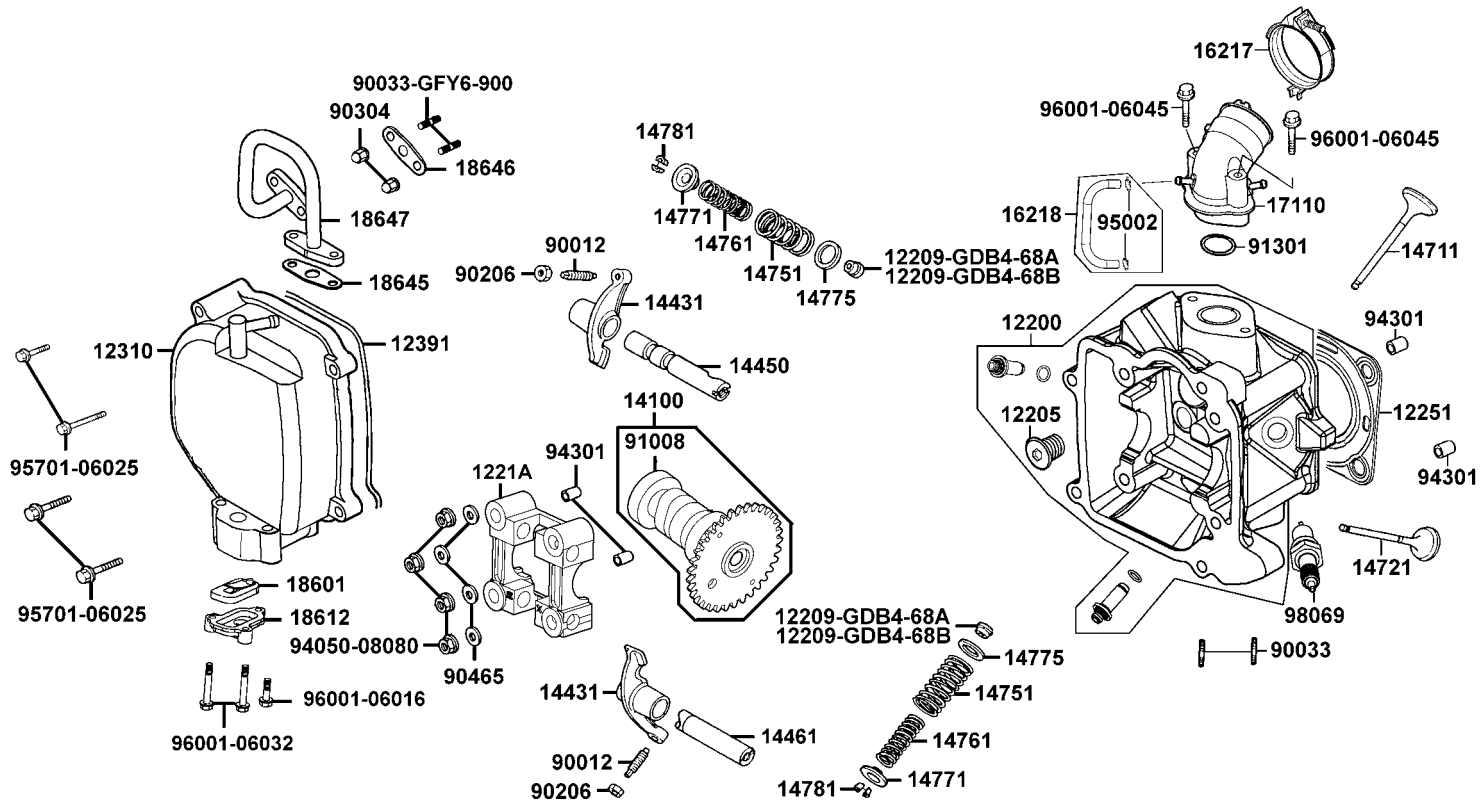
E 2 Cylinder Head Cover ● Cylinder Head



| 販賣記號 Sales mark | 項目 Ref no | 零件號碼 Part no | 版數 Ver | 英文名稱 Description | 中文名稱 Chinese | 需要用量 Regd no | 參考價 Ref Price |
|-----------------------|--------------|-----------------|-----------|--------------------------|-----------------|-----------------|------------------|
| | | 12200-KEBE-E00 | 11 | HEAD COMP CYLN | 汽缸頭 | 1 | |
| | | 12205-KHE8-301 | 0 | BOLT SEALING 12MM | 封閉螺栓 | 1 | |
| | | 12209-GDB4-68A | 0 | SEAL VALVE STEM | 門閥徑封 | 2 | |
| | | 12209-GDB4-68B | 0 | SEAL VALVE STEM | 門閥徑封 | 2 | |
| | | 1221A-KEBE-900 | 1 | HOLDER CAM SHAFT COMP | 凸輪軸固定座 | 1 | |
| | | 12251-KEBE-901 | 0 | GASKET CYLINDER HEAD | 汽缸頭墊片 | 1 | |
| | | 12310-KEBE-900 | 4 | COVER COMP CYLN HEAD | 汽缸頭蓋 | 1 | |
| | | 12391-KEBE-900 | 0 | GASKET HEAD COVER | 汽缸頭蓋墊圈 | 1 | |
| | | 14100-KEBE-220 | 3 | SHAFT COMP CAM | 凸輪軸 | 1 | |
| | | 14431-KKC1-900 | 0 | ARM VALVE ROCKER | 門閥搖臂 | 2 | |
| | | 14450-KEBE-900 | 0 | SHAFT COMP IN ROCKER ARM | 進氣閥搖臂軸 | 1 | |
| | | 14461-KEBE-900 | 0 | SHAFT EX ROCKER ARM | 排氣閥搖臂軸 | 1 | |
| | | 14711-KEBE-900 | 1 | VALVE INLET | 進氣門閥 | 1 | |
| | | 14721-KAAA-900 | 3 | VALVE EXHAUST | 排氣門閥 | 1 | |
| | | 14751-KKJ9-003 | 1 | SPG VALVE OUTER | 門閥外彈簧 | 2 | |
| | | 14761-KKJ9-003 | 1 | SPG VALVE INNER | 門閥內彈簧 | 2 | |
| | | 14771-GDB4-680 | 2 | RETAINER VALVE SPRING | 閥門彈簧保持器 | 2 | |
| | | 14775-MFA6-001 | 0 | SEAT VALVE SPG OUTER | 門閥彈簧外座 | 2 | |
| | | 14781-MFA6-001 | 0 | COTTER VALVE | 閥門鎖扣 | 4 | |
| | | 16217-KEBE-900 | 1 | BAND INSULATOR | 隔熱管夾 | 1 | |

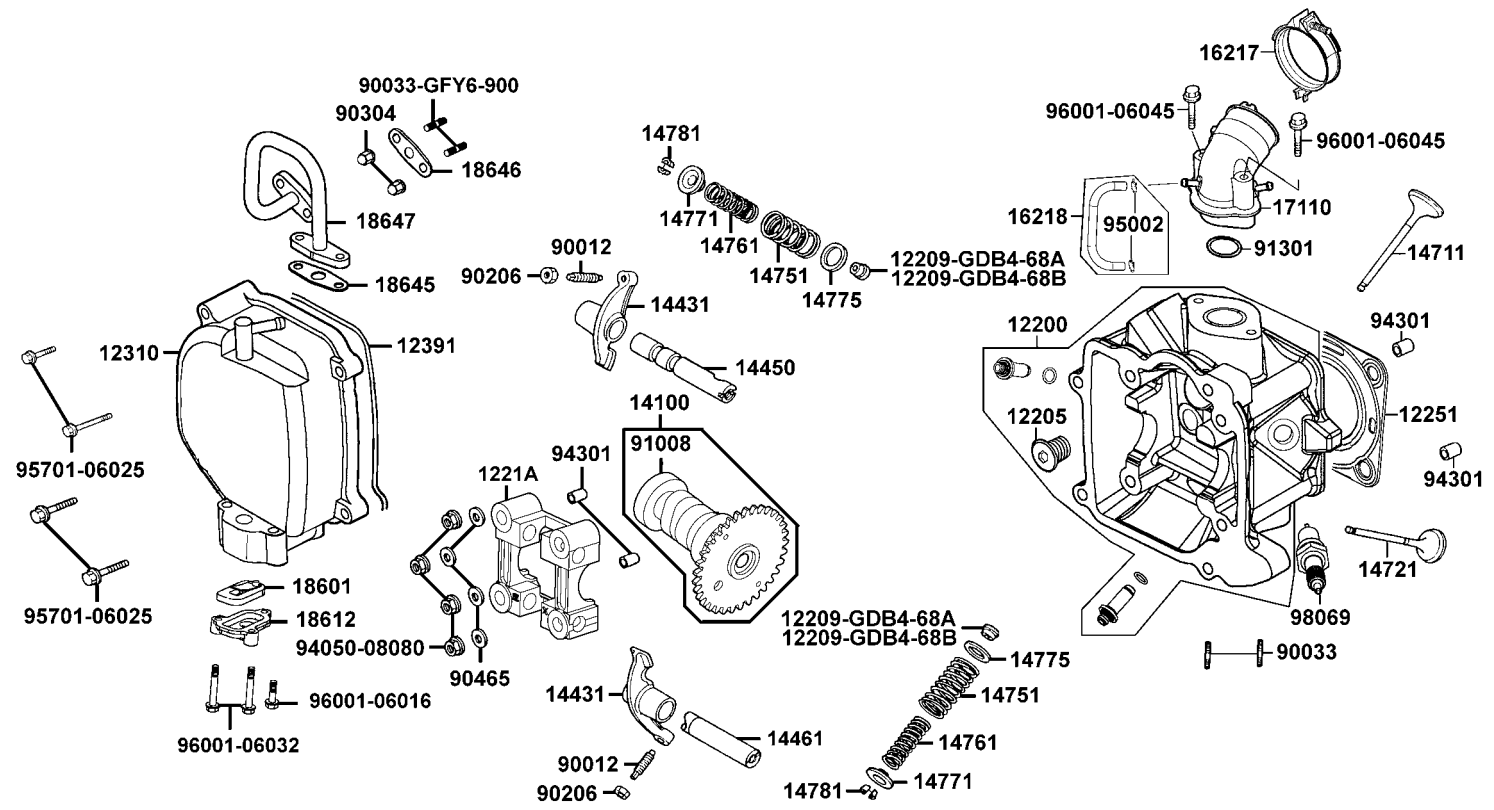
E 2

E 2 Cylinder Head Cover ● Cylinder Head



| 販賣記號 Sales mark | 項目 Ref no | 零件號碼 Part no | 版數 Ver | 英文名稱 Description | 中文名稱 Chinese | 需要用量 Regd no | 參考價 Ref Price |
|-----------------------|--------------|-----------------|-----------|---------------------------|-----------------|-----------------|------------------|
| | | 16218-KHD8-E00 | 1 | TUBE ASSY INLET PIPE CARB | 通氣管 | 1 | |
| | | 17110-KEBE-900 | 0 | PIPE COMP INLET | 進氣管 | 1 | |
| | | 18601-KHD8-900 | 0 | REED VALVE COMP | 簧片門閥總成 | 1 | |
| | | 18612-KEBE-900 | 0 | COVER REED VALVE | 簧片單向閥蓋 | 1 | |
| | | 18645-GFY6-941 | 0 | GSKT A/I PIPE | 通氣鐵管墊片 | 1 | |
| | | 18646-GFY6-941 | 0 | GASKET A/I PIPE | 通氣管墊片 | 1 | |
| | | 18647-KEBE-900 | 0 | PIPE COMP AIR | 通氣鐵管 | 1 | |
| | | 90012-3C33-001 | 0 | SCREW TAPPET ADJUSTING | 樞軸調整螺絲 | 2 | |
| | | 90033-GFY6-900 | 0 | BOLT STUD 8*32 | 雙頭螺絲 8*32 | 2 | |
| | | 90033-GFY6-941 | 0 | BOLT STUD 8*32 | 雙頭螺絲 8*32 | 2 | |
| | | 90206-0A01-001 | 0 | NUT TAPPET ADJG | 挺桿調整螺帽 | 2 | |
| | | 90304-4H38-001 | 0 | NUT HEX CAP 6MM | 螺帽 | 2 | |
| | | 90465-MDC4-001 | 0 | WASHER 8MM | 華司 8MM | 4 | |
| | | 91008-GLE0-004 | 0 | BRG BALL RADIAL 6002 | 軸承 6002 | 1 | |
| | | 91301-0H28-001 | 0 | O RING 27*2 | O環 27*2.0 | 1 | |
| | | 94050-08080 | 0 | NUT FLANGE 8MM | 螺帽 8MM | 4 | |
| | | 94301-10160 | 0 | DOWEL PIN 10*16 | 定位銷 10*16 | 4 | |
| | | 95002-02070 | 0 | CLIP B7 TUBE | 管夾 | 2 | |
| | | 95701-06025-08 | 0 | BOLT FLANGE 6*25 | 螺絲 6*25 | 4 | |
| | | 96001-06045-08 | 0 | BOLT FLANGE SH 6*45 | 螺絲 6*45 | 2 | |

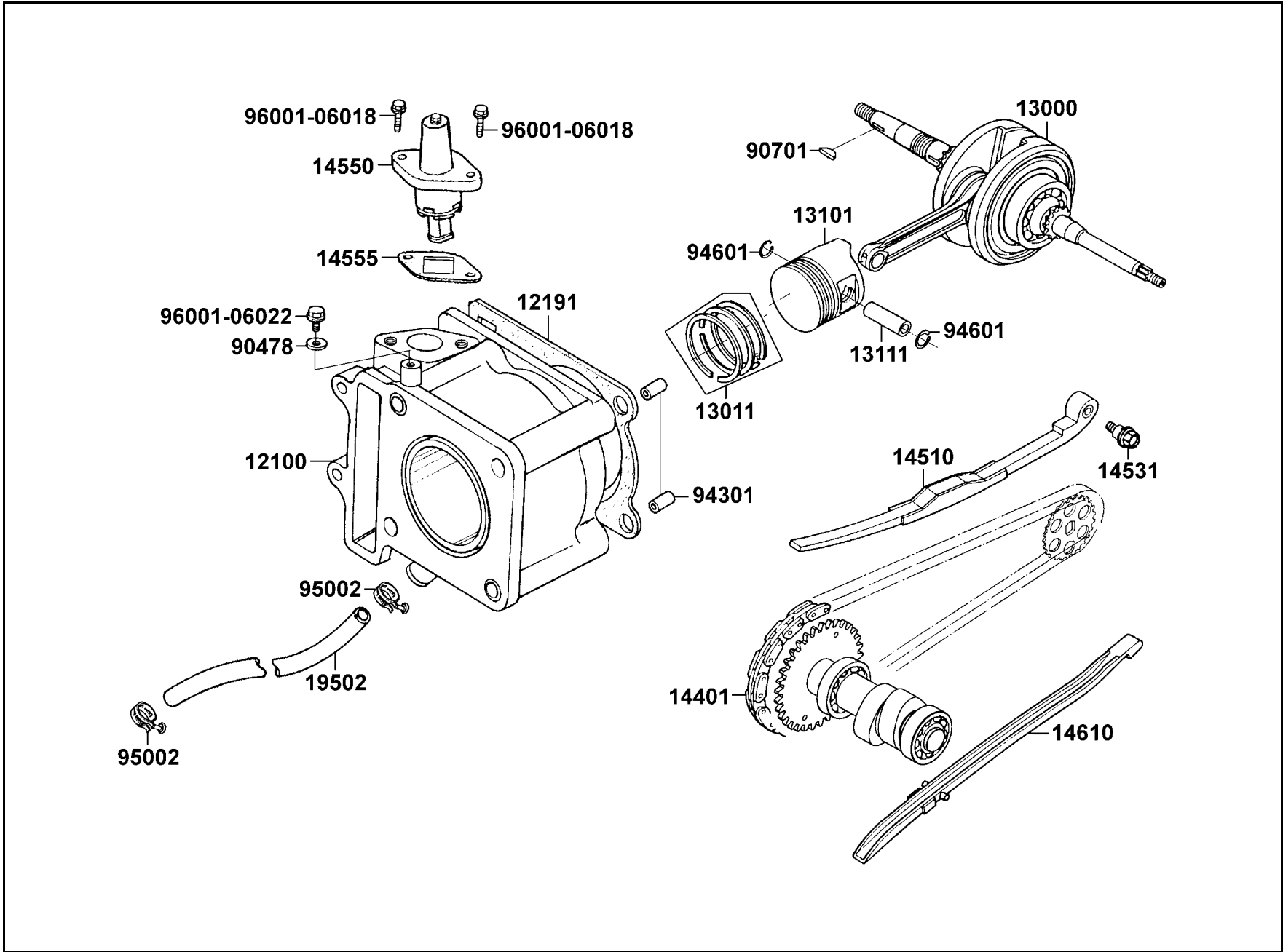
E 2 Cylinder Head Cover ● Cylinder Head



| 販賣記號 Sales mark | 項目 Ref no | 零件號碼 Part no | 版數 Ver | 英 文 名 稱 Description | 中 文 名 稱 Chinese | 需要用量 Regd no | 參考價 Ref Price |
|-----------------------|--------------|-----------------|-----------|------------------------|--------------------|-----------------|------------------|
|-----------------------|--------------|-----------------|-----------|------------------------|--------------------|-----------------|------------------|

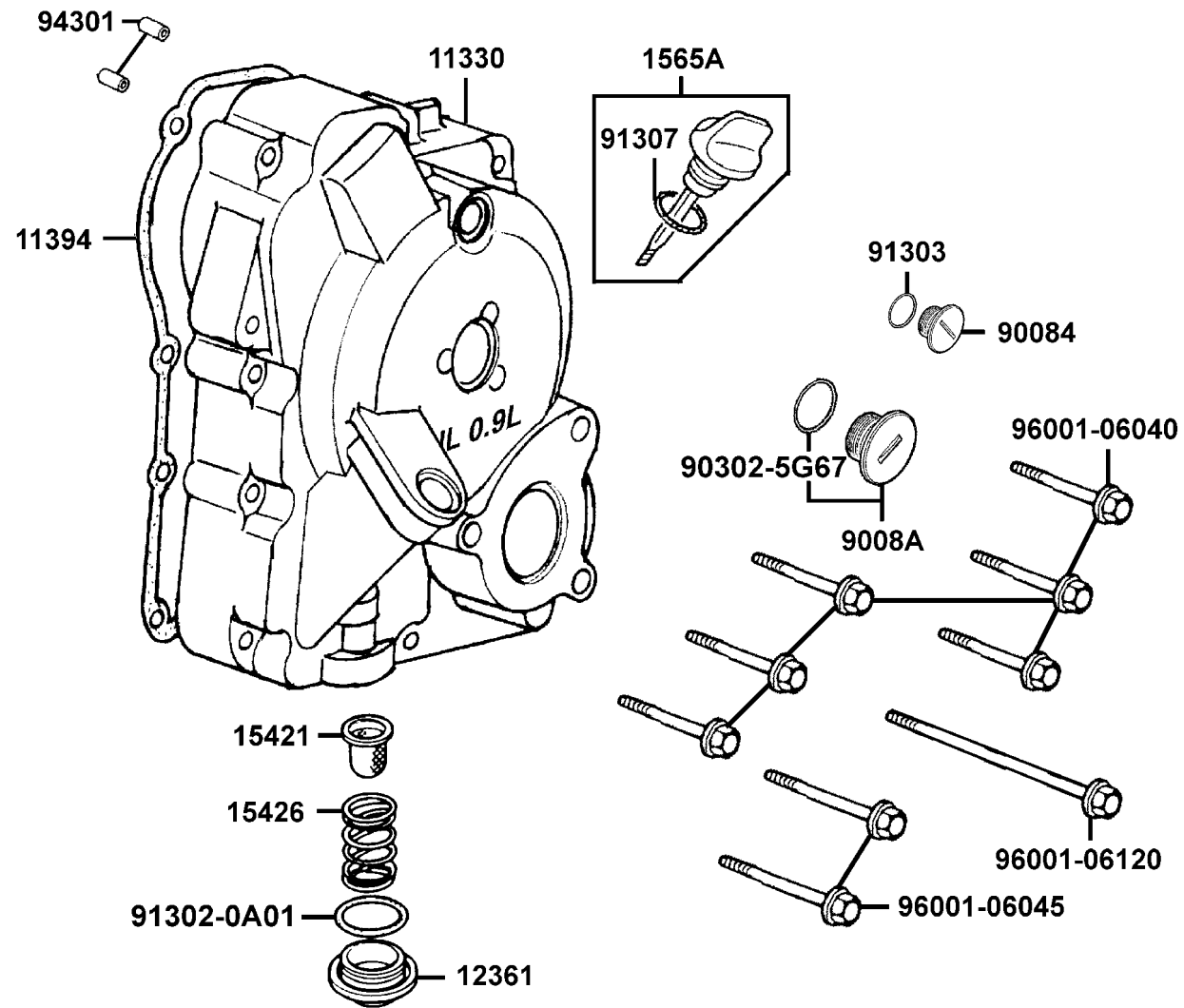
| | | | | | | | |
|--|--|----------------|---|---------------------|---------|---|--|
| | | 96001-06016-08 | 0 | BOLT FLANGE SH 6*16 | 螺絲 6*16 | 1 | |
| | | 96001-06032-08 | 0 | BOLT FLANGE SH 6*32 | 螺絲 6*32 | 2 | |
| | | 98069-5791R-00 | 0 | SPARK PLUG DPR7EA-9 | 火星塞 | 1 | |

E 3 Cylinder Piston Crankshaft



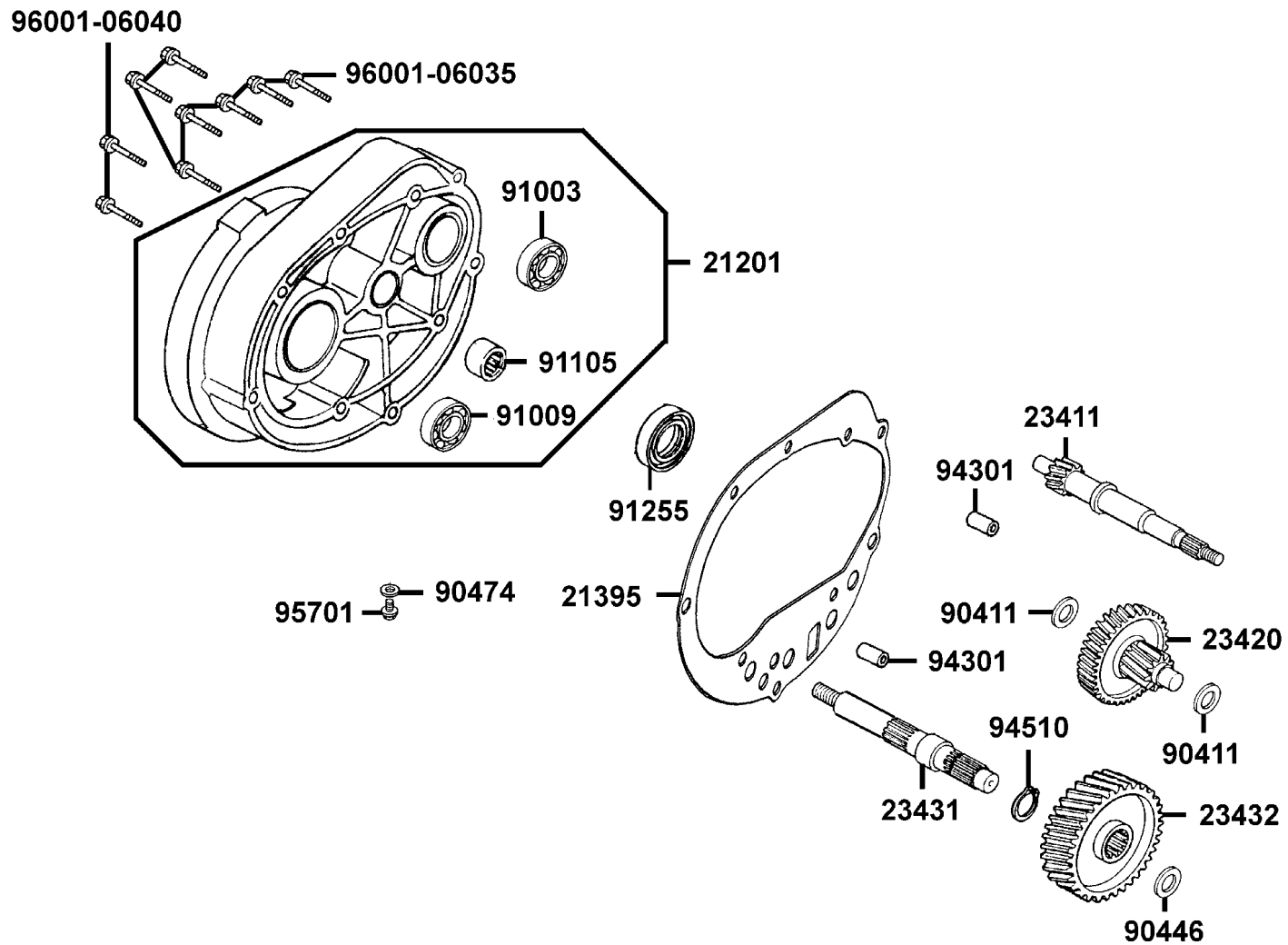
| 販賣記號 Sales mark | 項目 Ref no | 零件號碼 Part no | 版數 Ver | 英文名稱 Description | 中文名稱 Chinese | 需要用量 Regd no | 參考價 Ref Price |
|-----------------------|--------------|-----------------|-----------|---------------------------|-----------------|-----------------|------------------|
| | | 12100-KEBE-900 | 8 | CYLINDER COMP | 汽缸 | 1 | |
| | | 12191-KEBE-900 | 0 | GASKET CYLINDER | 汽缸墊片 | 1 | |
| | | 13000-KFC8-900 | 4 | CRANK SHAFT COMP | 曲軸 | 1 | |
| | | 13011-KFBF-E0A | 2 | RING SET PISTON | 活塞環 | 1 | |
| | | 13101-KEBE-900 | 3 | PISTON | 活塞 | 1 | |
| | | 13111-KKJ9-001 | 1 | PIN PISTON | 活塞銷 | 1 | |
| | | 14401-KGN7-67A | 0 | CHAIN CAM | 凸輪軸驅動鏈條 | 1 | |
| | | 14510-KEBE-900 | 1 | TENSIONER CAM CHAIN | 凸輪軸鏈條張力桿 | 1 | |
| | | 14531-KKJ9-001 | 0 | PIVOT CAM CHAIN TENSIONER | 張力桿螺栓 | 1 | |
| | | 14550-KEBE-900 | 0 | ADJUSTER CAM CHAIN | 鏈條張力調節器 | 1 | |
| | | 14555-KKJ9-001 | 0 | GASKET CAM CHAIN ADJUSTER | 調整器墊片 | 1 | |
| | | 14610-KKJ9-001 | 0 | GUIDE COMP CAM CHAIN | 鏈條導桿 | 1 | |
| | | 19502-KEBE-900 | 0 | HOSE WATER B | 水管 | 1 | |
| | | 90478-7L00-001 | 0 | WASHER 6MM | 華司 6MM | 1 | |
| | | 90701-HFB6-011 | 1 | KEY WOODRUFF 25*14*4 | 固定鍵 25*14*4 | 1 | |
| | | 94301-10160 | 0 | DOWEL PIN 10*16 | 定位銷 10*16 | 2 | |
| | | 94601-15000 | 0 | CLIP PISTON PIN 15MM | 活塞銷環夾 15MM | 2 | |
| | | 95002-KGN7-910 | 1 | CLIP TUBE | 管夾 | 2 | |
| | | 96001-06018-08 | 0 | BOLT FLANGE SH 6*18 | 螺絲 6*18 | 2 | |
| | | 96001-06022-08 | 0 | BOLT FLANGE SH 6*22 | 螺絲 6*22 | 1 | |

E 4 Right Crankcase Cover



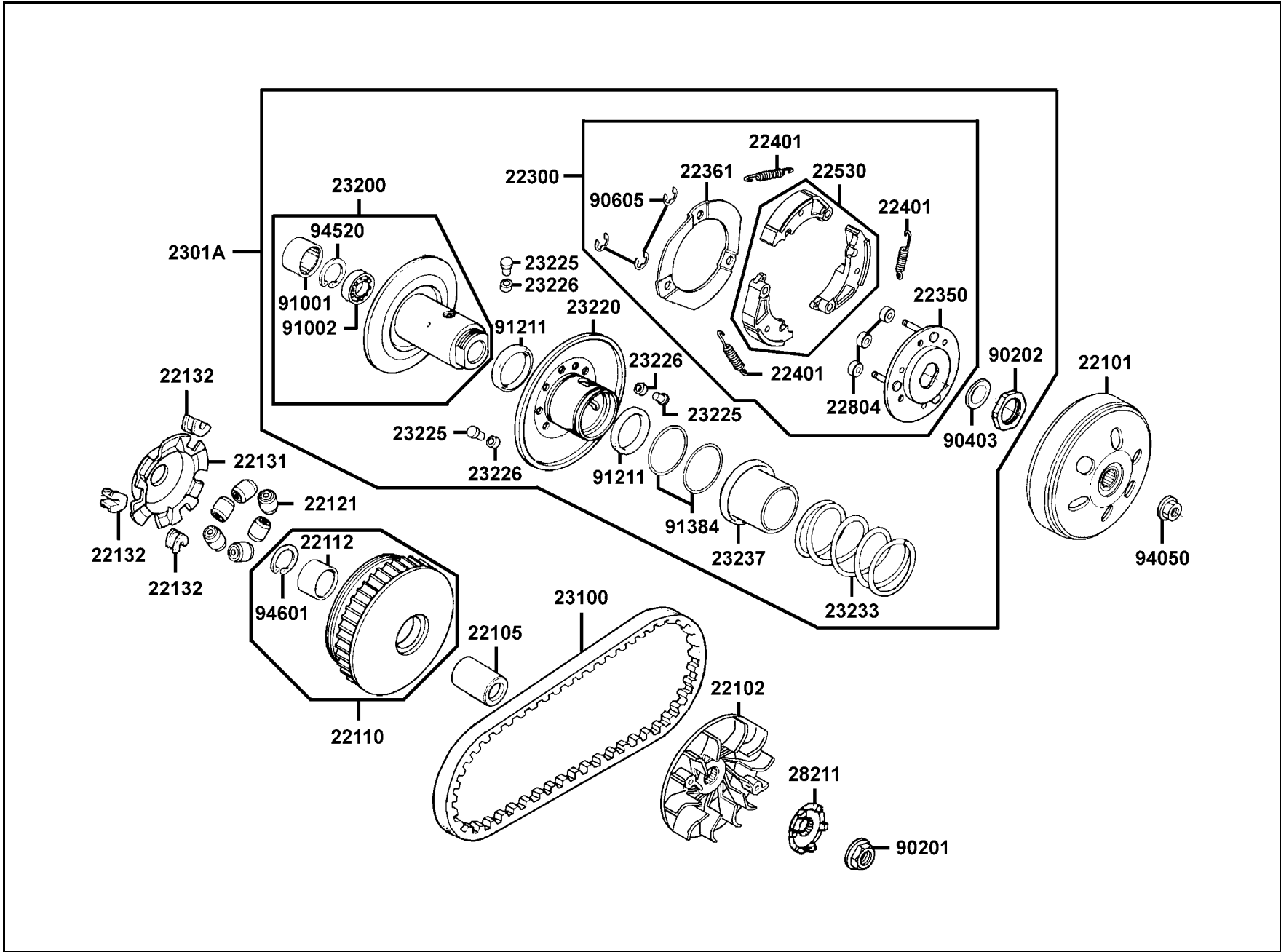
| 販賣記號 Sales mark | 項目 Ref no | 零件號碼 Part no | 版數 Ver | 英文名稱 Description | 中文名稱 Chinese | 需要用量 Regd no | 參考價 Ref Price |
|-----------------------|--------------|-----------------|-----------|---------------------------|-----------------|-----------------|------------------|
| | | 11330-KEBE-500 | 2 | COVER COMP RIGHT | 右曲軸箱蓋 | 1 | |
| | | 11394-KEBE-900 | 0 | GASKET R COVER A | 右曲軸箱蓋墊片 A | 1 | |
| | | 12361-GFY6-901 | 1 | HOLE CAP TAPPET ADJUSTING | 調節螺帽 | 1 | |
| | | 15421-1G07-001 | 1 | SCREEN OIL FILTER | 濾油網 | 1 | |
| | | 15426-GAE1-921 | 0 | SPG OIL FILTER SCREEN | 濾油網彈簧 | 1 | |
| | | 1565A-KEBE-900 | 0 | GAUGE OIL LEVEL ASSY | 機油尺組 | 1 | |
| | | 90084-4H28-001 | 0 | CAP A.C.G GERATOR | A. C. G. 蓋 | 1 | |
| | | 9008A-KEE2-900 | 0 | CAP ASSY 30MM | 蓋組 | 1 | |
| | | 91302-0A01-021 | 0 | O-RING 30.8M/M | O 環 30.8MM | 1 | |
| | | 91302-5G67-004 | 0 | O-RING 27.4*2.4 | O 環 27.4*2.4 | 1 | |
| | | 91303-3G77-001 | 0 | O-RING 13.8*2.5 | O 環 13.8*2.5 | 1 | |
| | | 91307-0E35-001 | 0 | O RING 18*3 | O 環 18*3 | 1 | |
| | | 94301-08140 | 0 | DOWEL PIN 8*14 | 定位銷 8*14 | 2 | |
| | | 96001-06040-08 | 0 | BOLT FLANGE SH 6*40 | 螺絲 6*40 | 6 | |
| | | 96001-06045-08 | 0 | BOLT FLANGE SH 6*45 | 螺絲 6*45 | 2 | |
| | | 96001-06120-08 | 0 | BOLT FLANGE SH 6*120 | 螺絲 6*120 | 1 | |

E 5 Transmission



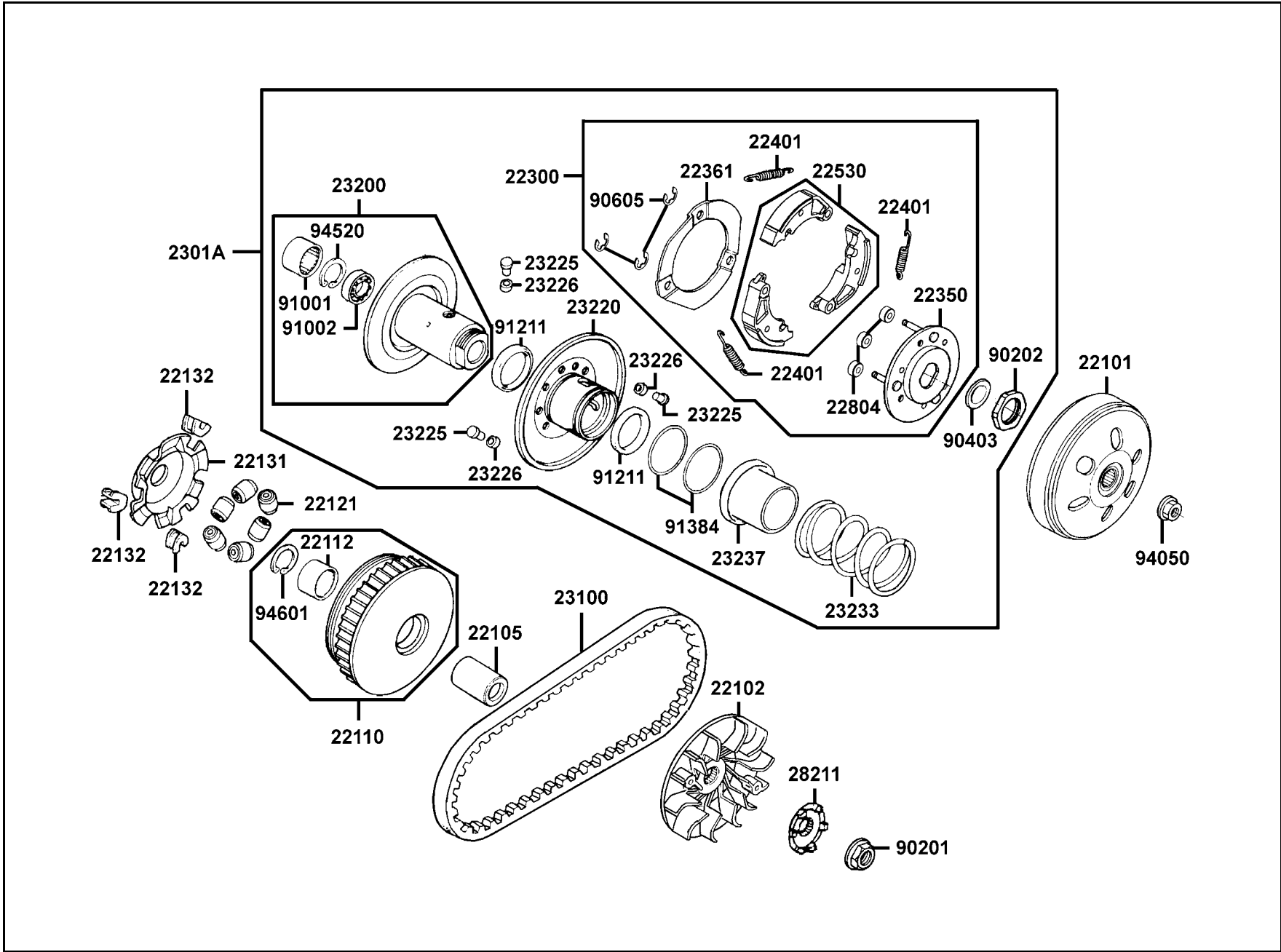
| 販賣記號 Sales mark | 項目 Ref no | 零件號碼 Part no | 版數 Ver | 英文名稱 Description | 中文名稱 Chinese | 需要用量 Regd no | 參考價 Ref Price |
|-----------------------|--------------|-----------------|-----------|-------------------------|-----------------|-----------------|------------------|
| | | 21201-KFC8-305 | 0 | CASE SET MISSION | 主軸箱組 | 1 | |
| | | 21395-KFC8-900 | 0 | GASKET MISSION CASE A | 主軸蓋墊片 | 1 | |
| | | 23411-LBF6-E00 | 1 | SHAFT DRIVE | 驅動軸 | 1 | |
| | | 23420-KFC8-900 | 5 | SHAFT COMP COUNTER | 副軸組 | 1 | |
| | | 23431-KFC8-900 | 0 | SHAFT FINAL | 最終軸 | 1 | |
| | | 23432-KFC8-900 | 4 | GEAR FINAL | 最終齒輪 | 1 | |
| | | 90411-KAM1-001 | 0 | WASHER THRUST 14*32*1 | 華司 14*32*1 | 2 | |
| | | 90446-3G57-001 | 0 | WASHER THRUST 17.2MM | 華司 17.2MM | 1 | |
| | | 90474-3C33-001 | 0 | WASHER PLAIN 8MM | 華司 8MM | 1 | |
| | | 91003-KDS4-004 | 1 | BRG BALL RADIAL 6301TMB | 軸承 6301 | 1 | |
| | | 91009-GLE0-004 | 1 | BRG BALL RADIAL 6004 UU | 軸承 6004 | 1 | |
| | | 91105-KGN7-672 | 0 | BRG NEEDLE | 滾針軸承 | 1 | |
| | | 91255-GLE0-006 | 0 | OIL SEAL 27*42*7 | 油封 27*42*7 | 1 | |
| | | 94301-08140 | 0 | DOWEL PIN 8*14 | 定位銷 8*14 | 2 | |
| | | 94510-20000 | 0 | CIR CLIP EXTERNAL 20MM | 外環夾 20MM | 1 | |
| | | 95701-08012-08 | 0 | BOLT FLANGE 8*12 | 螺絲 8*12 | 1 | |
| | | 96001-06035-08 | 0 | BOLT FLANGE SH 6*35 | 螺絲 6*35 | 7 | |
| | | 96001-06040-08 | 0 | BOLT FLANGE SH 6*40 | 螺絲 6*40 | 2 | |

E 6 Drive Pulley



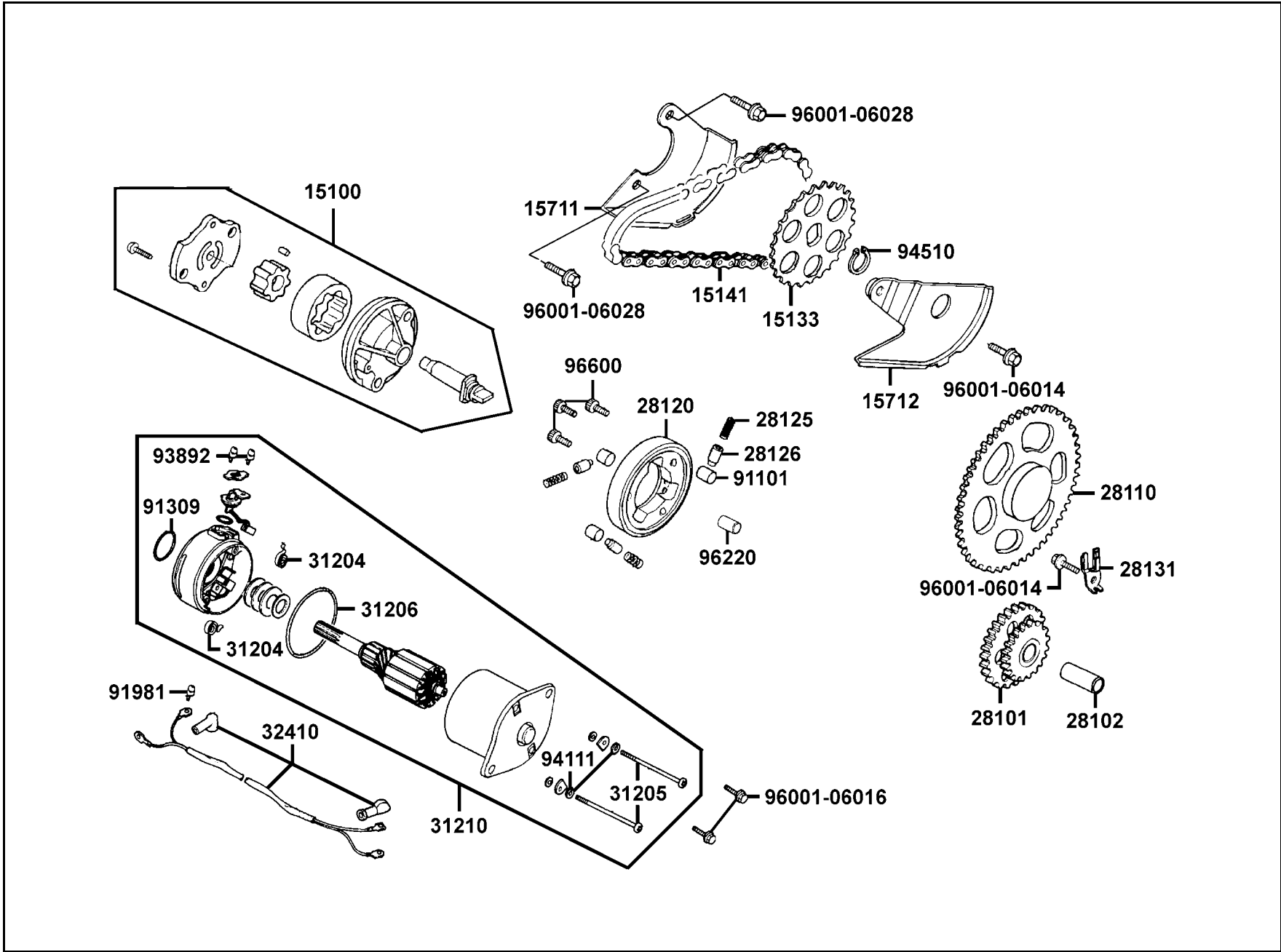
| 販賣記號 Sales mark | 項目 Ref no | 零件號碼 Part no | 版數 Ver | 英文名稱 Description | 中文名稱 Chinese | 需要用量 Regd no | 參考價 Ref Price |
|-----------------------|--------------|-----------------|-----------|-------------------------|-----------------|-----------------|------------------|
| | | 22101-KEBE-900 | 1 | OUTER CLUTCH | 離合器外套 | 1 | |
| | | 22102-KEBE-900 | 3 | FACE DRIVE | 驅動皮帶扇葉盤 | 1 | |
| | | 22105-KHD4-E00 | 1 | BOSS DRIVE FACE | 襯套 | 1 | |
| | | 22110-KEBE-900 | 2 | FACE COMP MOVABLE DRIVE | 平面傳動組 | 1 | |
| | | 22112-KAAA-90 | 0 | COLLAR DRIVE FACE | 套筒 | 1 | |
| | | 22121-KAAA-900 | 2 | ROLLER COMP WEIGHT | 配重滾子 | 6 | |
| | | 22131-KAAA-900 | 1 | PLATE RAMP | 斜板 | 1 | |
| | | 22132-KGN7-670 | 3 | PIECE SLIDE | 斜板邊件 | 3 | |
| | | 22300-KHD8-900 | 2 | PLATE ASSY DRIVE | 驅動板組 | 1 | |
| | | 22350-KGN7-671 | 0 | PLATE COMP DRIVE | 驅動板 | 1 | |
| | | 22361-KGN7-671 | 1 | PLATE CLUTCH SIDE | 離合器舉升板 | 1 | |
| | | 22401-GFY6-94A | 0 | SPRING CLUTCH | 離合器彈簧 | 3 | |
| | | 22530-KGN7-671 | 2 | WEIGHT COMP CLUTCH | 離合器配重組 | 1 | |
| | | 22804-GBB2-001 | 0 | RUBBER CLUTCH DUMPER | 橡皮 | 3 | |
| | | 2301A-KHD8-900 | 2 | PULLEY SUB ASSY | 從動皮帶輪組 | 1 | |
| | | 23100-KKC2-900 | 0 | BELT DRIVE | 從動皮帶 | 1 | |
| | | 23200-KEBE-900 | 2 | FACE ASSY DRIVEN | 平面轉動組 | 1 | |
| | | 23220-KGN7-671 | 0 | FACE SET MOVABLE DRIVEN | 平面滑動輪 | 1 | |
| | | 23225-GHC8-004 | 0 | PIN ROLLER GUIDE | 滾導銷 | 3 | |
| | | 23226-GHC8-004 | 0 | ROLLER GUIDE | 滾子 | 3 | |

E 6 Drive Pulley



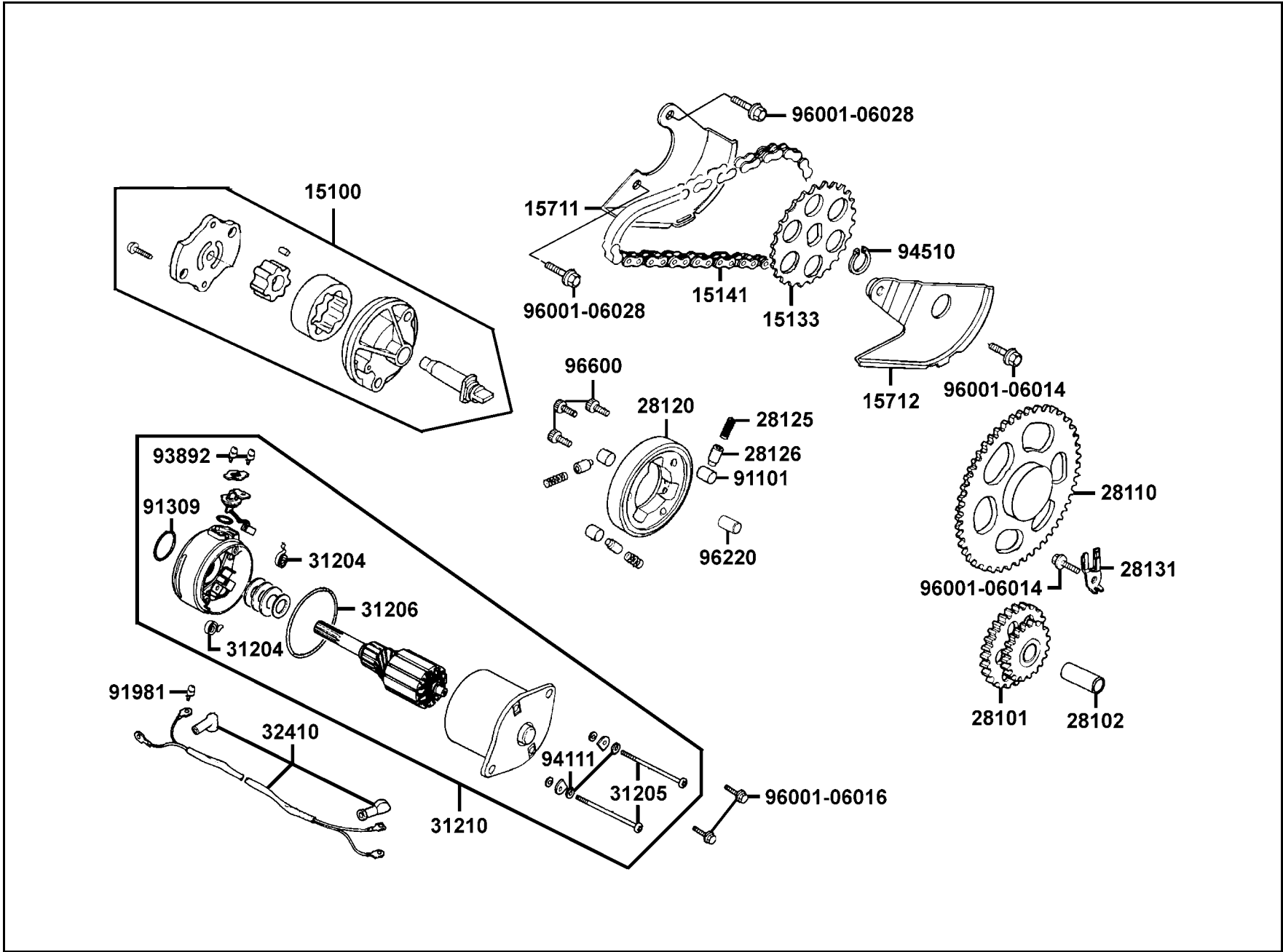
| 販賣記號 Sales mark | 項目 Ref no | 零件號碼 Part no | 版數 Ver | 英文名稱 Description | 中文名稱 Chinese | 需要用量 Regd no | 參考價 Ref Price |
|-----------------------|--------------|-----------------|-----------|----------------------------|-----------------|-----------------|------------------|
| | | 23233-KGN7-671 | 0 | SPG DRIVEN FACE | 驅動彈簧 | 1 | |
| | | 23237-KHG8-901 | 0 | COLLAR SEAL | 套筒 | 1 | |
| | | 28211-KFC8-900 | 0 | RATCHET KICK STARTER | 起動齒盤 | 1 | |
| | | 90201-PHB8-001 | 0 | NUT COMPRESSOR FLANGE 12mm | 螺帽 12MM | 1 | |
| | | 90202-KGN7-671 | 0 | NUT SPECIAL 28MM | 螺帽 28MM | 1 | |
| | | 90403-KGN7-671 | 0 | WASHER THRUST 28*44*1.5 | 華司 28*44*1.5 | 1 | |
| | | 90605-1F66-721 | 0 | CIR CLIP 7MM | 環夾 7MM | 3 | |
| | | 91001-GFY6-90A | 2 | BRG NDL 20*29*18 | 軸承 20*29*18 | 1 | |
| | | 91002-GGA7-70A | 0 | BRG BALL RADIAL 6902U | 軸承 6902U | 1 | |
| | | 91211-KEBE-900 | 0 | SEAL DRIVEN FACE 34*41*4 | 驅動油封 34*41*4 | 2 | |
| | | 91384-KEBE-900 | 0 | O-RING | O環 | 2 | |
| | | 94050-12080 | 0 | NUT FLANGE 12MM | 螺帽 12MM | 1 | |
| | | 94520-28000 | 0 | CIR CLIP IN 28 | 內環夾 28MM | 1 | |
| | | 94601-33000 | 0 | CLIP PISTON PIN 33MM | 環夾 33MM | 1 | |

E 7 Starting Motor Oil Pump



| 販賣記號 Sales mark | 項目 Ref no | 零件號碼 Part no | 版數 Ver | 英文名稱 Description | 中文名稱 Chinese | 需要用量 Regd no | 參考價 Ref Price |
|-----------------------|--------------|-----------------|-----------|------------------------------|-----------------|-----------------|------------------|
| | | 15100-KEBE-900 | 0 | PUMP ASSY OIL | 油泵 | 1 | |
| | | 15133-KAM1-001 | 0 | SPROCKET OIL PUMP DRIVE | 機油泵驅動齒輪 | 1 | |
| | | 15141-KKJ9-004 | 0 | CHAIN OIL PUMP | 機油泵驅動鏈條 | 1 | |
| | | 15711-KEBE-900 | 0 | OIL SEPARATER A | 機油分隔板 A | 1 | |
| | | 15712-KEBE-900 | 0 | OIL SEPARATER COMP B | 機油分隔板 B | 1 | |
| | | 28101-KKJ9-011 | 0 | GEAR STARTER REDUCTION | 起動減速齒輪 | 1 | |
| | | 28102-KKJ9-001 | 0 | SHAFT STARTER REDUCTION GEAR | 起動減速齒輪軸 | 1 | |
| | | 28110-KGN7-672 | 0 | GEAR COMP STARTING CLUTCH | 起動齒輪 | 1 | |
| | | 28120-KEBE-305 | 0 | OUTER COMP STARTING CLUTCH | 離合器外套 | 1 | |
| | | 28125-4F26-001 | 0 | SPRING ROLLER STARTER CLUTCH | 離合器滾子彈簧 | 3 | |
| | | 28126-KUDU-900 | 0 | CAP STARTING ROLLER SPRING | 滾子彈簧蓋 | 3 | |
| | | 28131-KGN7-671 | 0 | GUIDE STARTING DRIVEN GEAR | 起動齒輪導片 | 1 | |
| | | 31204-KGN7-670 | 0 | SPG CARBON BRUSH | 碳刷彈簧 | 2 | |
| | | 31205-KGN7-670 | 0 | BOLT SET | 螺絲 | 2 | |
| | | 31206-KGN7-670 | 0 | O-RING | O環 | 1 | |
| | | 31210-KEBE-900 | 0 | MOTOR UNIT START | 起動馬達組 | 1 | |
| | | 32410-KEBE-900 | 1 | CABLE START MOTOR | 起動馬達接地線 | 1 | |
| | | 91101-1K79-711 | 1 | ROLLER 10*10 | 滾子 10*10 | 3 | |
| | | 91309-4E25-004 | 0 | O-RING 24.4*3.1 | O環 24.4*3.1 | 1 | |
| | | 91981-KGN7-670 | 0 | SCREW WASH 5X8 | 螺絲 5*8 | 1 | |

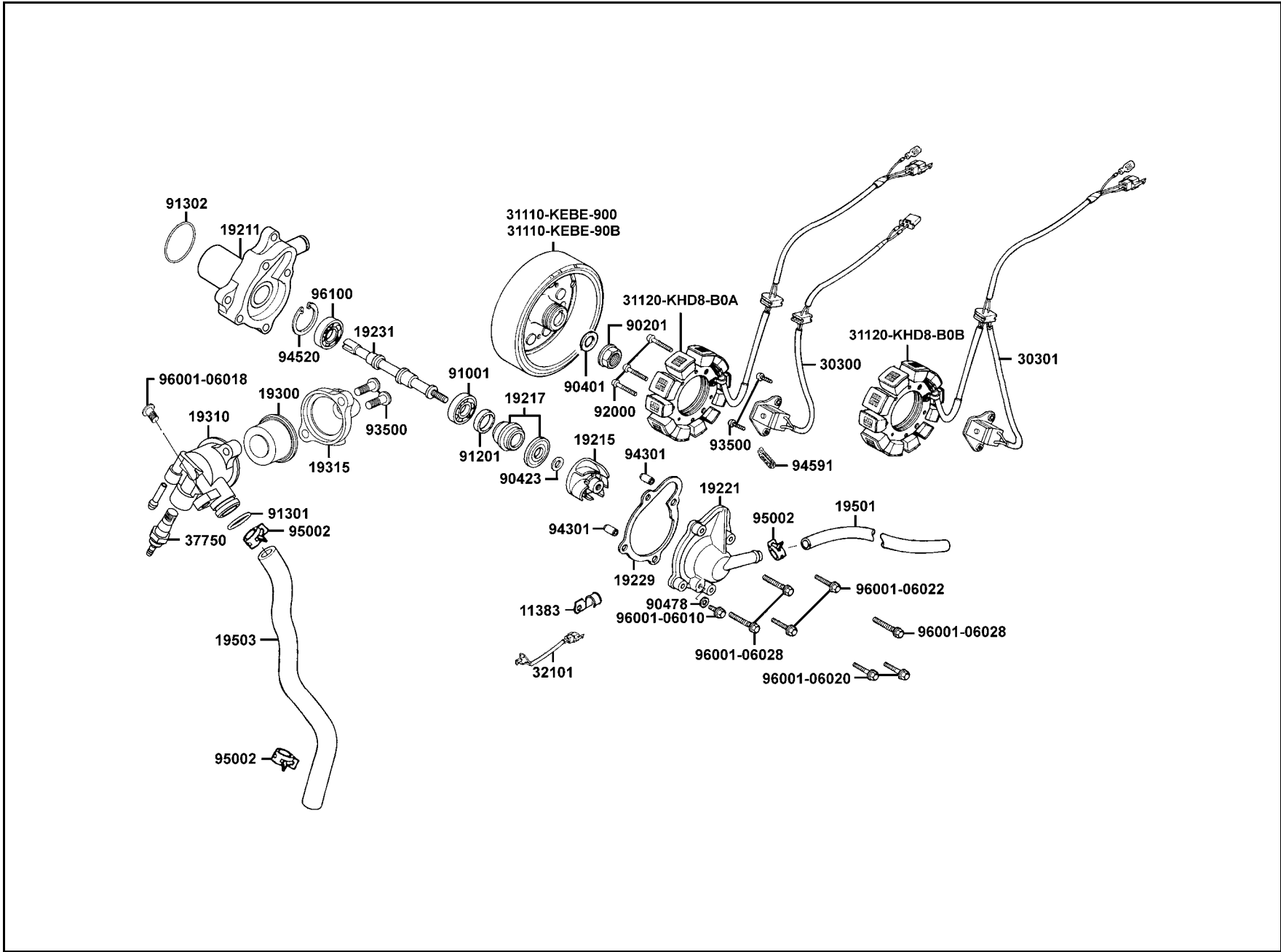
E 7 Starting Motor Oil Pump



E 7

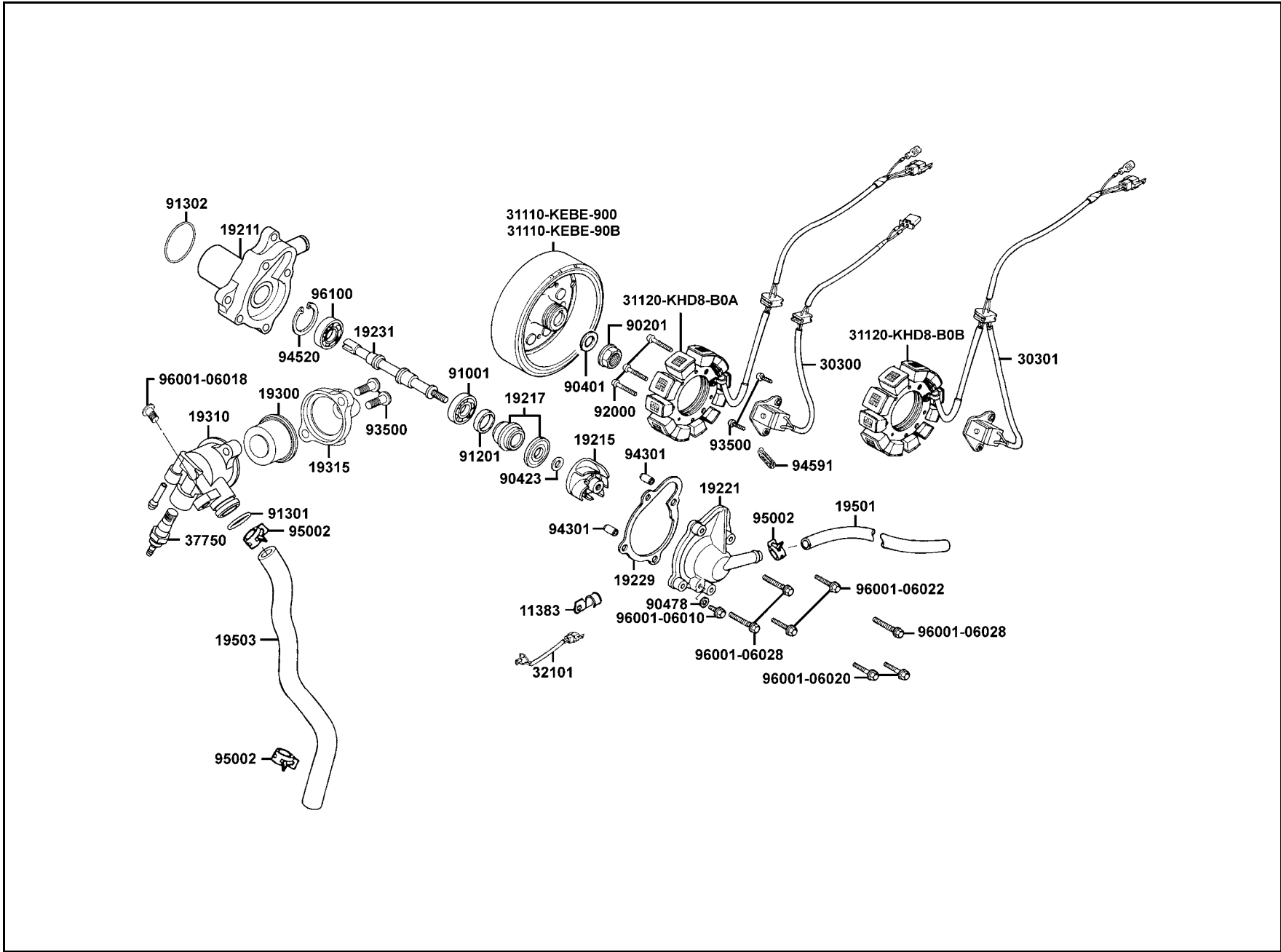
| 販賣記號 Sales mark | 項目 Ref no | 零件號碼 Part no | 版數 Ver | 英文名稱 Description | 中文名稱 Chinese | 需要用量 Regd no | 參考價 Ref Price |
|-----------------------|--------------|-----------------|-----------|---------------------|-----------------|-----------------|------------------|
| | | 93892-04006-08 | 0 | SCREW WASH 4*6 | 螺絲 4*6 | 2 | |
| | | 94111-05800 | 0 | WASHER SPRING 5MM | 華司 5MM | 2 | |
| | | 94510-10000 | 0 | CIR CLIP EX 10MM | 外環夾 10MM | 1 | |
| | | 96001-06014-08 | 0 | BOLT FLANGE SH 6*14 | 螺絲 6*14 | 2 | |
| | | 96001-06016-08 | 0 | BOLT FLANGE SH 6*16 | 螺絲 6*16 | 2 | |
| | | 96001-06028-08 | 0 | BOLT FLANGE SH 6*28 | 螺絲 6*28 | 2 | |
| | | 96220-60100 | 0 | PIN DOWEL 6*10 | 定位銷 6*10 | 1 | |
| | | 96600-08015-10 | 1 | SOCKET BOLT 8*15 | 螺絲 8*15 | 3 | |

E 8 Generator Water Pump



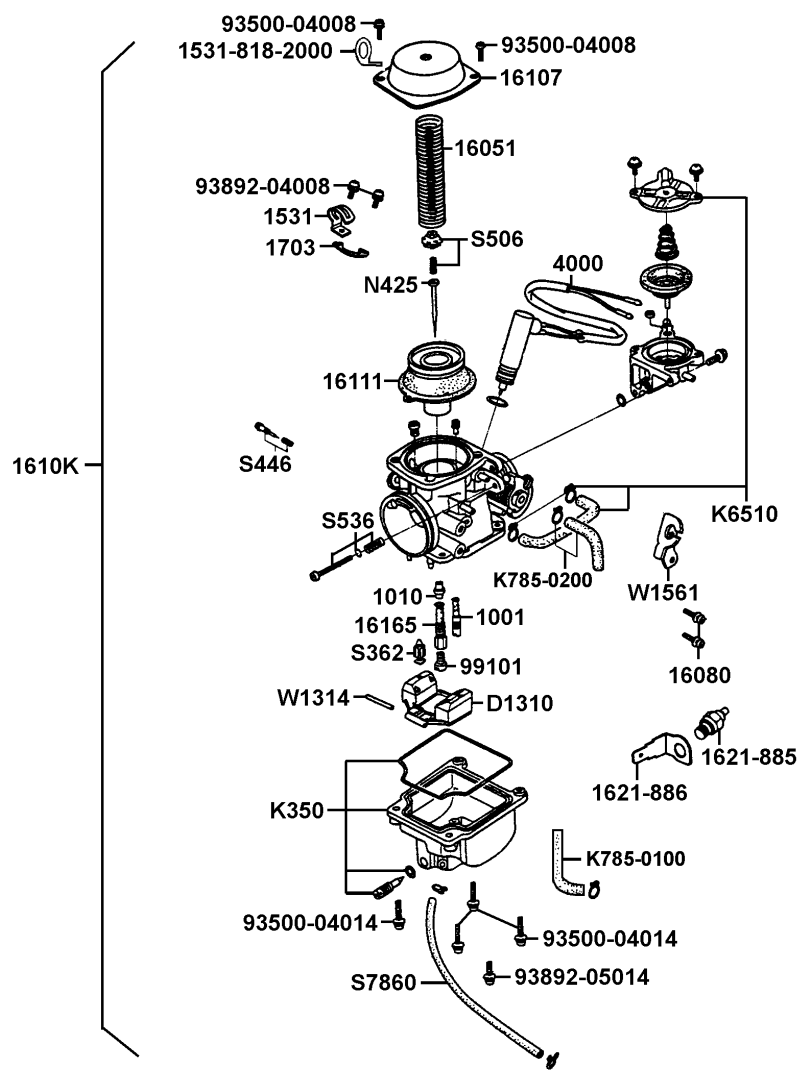
| 販賣記號 Sales mark | 項目 Ref no | 零件號碼 Part no | 版數 Ver | 英文名稱 Description | 中文名稱 Chinese | 需要用量 Regd no | 參考價 Ref Price |
|-----------------------|--------------|-----------------|-----------|----------------------|-----------------|-----------------|------------------|
| | | 11383-KEBE-900 | 3 | CLAMPER RR BRK HOSE | 後煞車油管夾 | 1 | |
| | | 19211-KEBE-900 | 0 | BODY WATER PUMP | 水泵本體 | 1 | |
| | | 19215-KKJ9-011 | 0 | IMPELLER WATER PUMP | 水泵葉輪 | 1 | |
| | | 19217-6G57-024 | 0 | SEAL MECHANICAL | 機械油封 | 1 | |
| | | 19221-KKJ9-011 | 0 | COVER WATER PUMP | 水泵蓋 | 1 | |
| | | 19229-KKJ9-001 | 0 | GASKET WATER PUMP | 水泵墊片 | 1 | |
| | | 19231-KEBE-900 | 2 | SHAFT WATER PUMP | 水泵樞軸 | 1 | |
| | | 19300-KAE1-004 | 1 | THERMOSTAT ASSY | 恆溫器 | 1 | |
| | | 19310-KEBE-900 | 0 | CASE COMP THERMOSTAT | 恆溫器室 | 1 | |
| | | 19315-KEBE-900 | 2 | COVER THERMOSTAT | 恆溫器蓋 | 1 | |
| | | 19501-KEBE-900 | 2 | HOSE WATER A | 冷卻水管 A | 1 | |
| | | 19503-KEBE-900 | 0 | HOSE C WATER | 冷卻水管 | 1 | |
| | | 30300-KEBE-900 | 2 | GEN ASSY PULSE | 脈動線圈 | 1 | |
| | | 30301-KEBE-90B | 0 | GEN ASSY PULSE | 脈動線圈 | 1 | |
| | | 31110-KEBE-900 | 2 | FLYWHEEL COMP | 飛輪 | 1 | |
| | | 31110-KEBE-90B | 1 | FLYWHEEL COMP | 飛輪 | 1 | |
| | | 31120-KHD8-B0A | 2 | STATOR COMP | 轉子線圈 | 1 | |
| | | 31120-KHD8-B0B | 2 | STATOR COMP | 轉子線圈 | 1 | |
| | | 32101-KHD8-900 | 1 | SUB CORD | 配線 | 1 | |
| | | 37750-PAC1-005 | 0 | THERMO UNIT ASSY | 自動控溫器 | 1 | |

E 8 Generator Water Pump



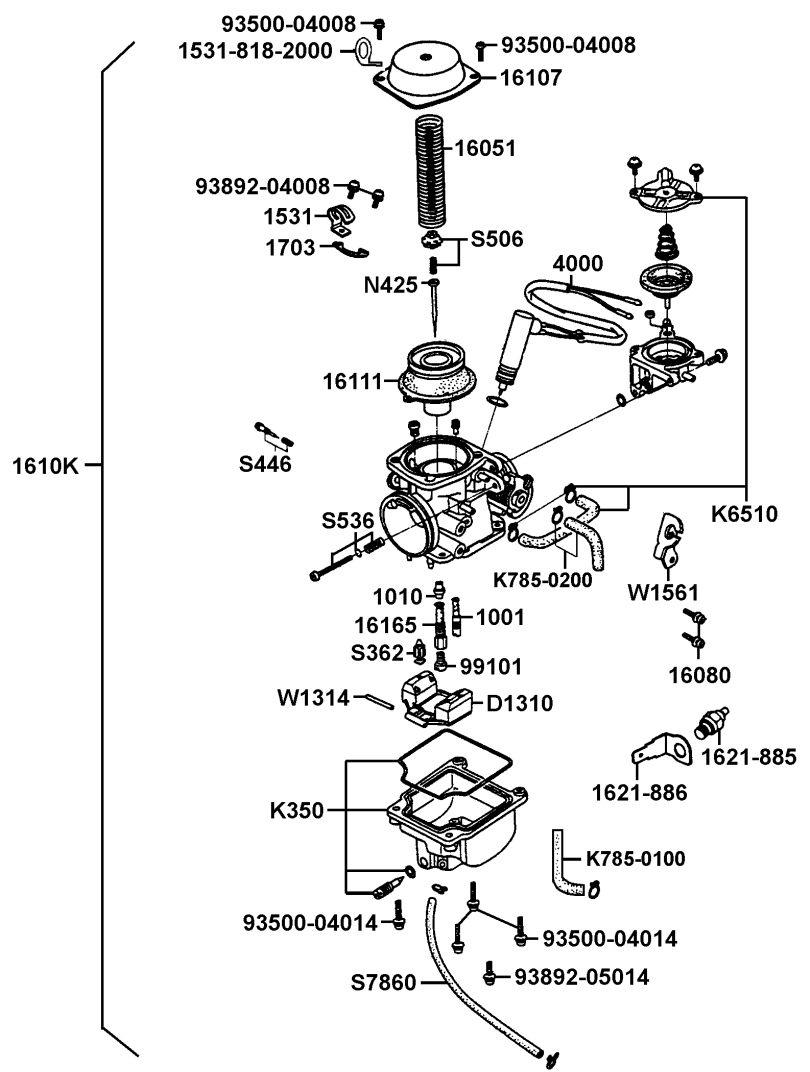
| 販賣記號 Sales mark | 項目 Ref no | 零件號碼 Part no | 版數 Ver | 英文名稱 Description | 中文名稱 Chinese | 需要用量 Regd no | 參考價 Ref Price |
|-----------------------|--------------|-----------------|-----------|--------------------------|-----------------|-----------------|------------------|
| | | 90201-KHR8-75A | 0 | NUT FLANGE 14MM | 螺帽 14MM | 1 | |
| | | 90401-KKJ9-001 | 0 | WASHER THRUST 14*28*2 | 華司 14*28*2 | 1 | |
| | | 90423-KKJ9-001 | 0 | WASHER 7.2*13*1.2 | 華司 7.2*13*1.2 | 1 | |
| | | 90478-7L00-001 | 0 | WASHER 6MM | 華司 6MM | 1 | |
| | | 91001-KKJ9-006 | 0 | BRG BALL RADIAL 6901 | 軸承 6901 | 1 | |
| | | 91201-KKJ9-004 | 0 | OIL SEAL 12*20*4 | 油封 12*20*4 | 1 | |
| | | 91301-KGV7-671 | 0 | O-RING 14.8*1.9 | O環 14.8*1.9 | 1 | |
| | | 91302-5G67-004 | 0 | O-RING 27.4*2.4 | O環 27.4*2.4 | 1 | |
| | | 92000-05032-0H | 0 | BOLT HEX 5*32 | 螺絲 5*32 | 3 | |
| | | 93500-05016-0H | 0 | SCREW PAN 5*16 | 螺絲 5*16 | 4 | |
| | | 94301-08140 | 0 | DOWEL PIN 8*14 | 定位銷 8*14 | 2 | |
| | | 94520-26000 | 0 | CIR CLIP INTERAL 26MM | 內環夾 26MM | 1 | |
| | | 94591-KFBF-900 | 2 | CLIP 2*71 | 固定夾 2*71 | 1 | |
| | | 95002-KGN7-910 | 1 | CLIP TUBE | 水管夾 | 3 | |
| | | 96001-06010-08 | 0 | BOLT FLANGE SH 6X10 | 螺絲 6*10 | 1 | |
| | | 96001-06018-08 | 0 | BOLT FLANGE SH 6*18 | 螺絲 6*18 | 1 | |
| | | 96001-06020-08 | 0 | BOLT FLANGE SH 6*20 | 螺絲 6*20 | 2 | |
| | | 96001-06022-08 | 0 | BOLT FLANGE SH 6*22 | 螺絲 6*22 | 2 | |
| | | 96001-06028-08 | 0 | BOLT FLANGE SH 6*28 | 螺絲 6*28 | 3 | |
| | | 96100-60000-00 | 0 | BEARING BALL RADIAL 6000 | 軸承 6000 | 1 | |

E 9 Carburetor

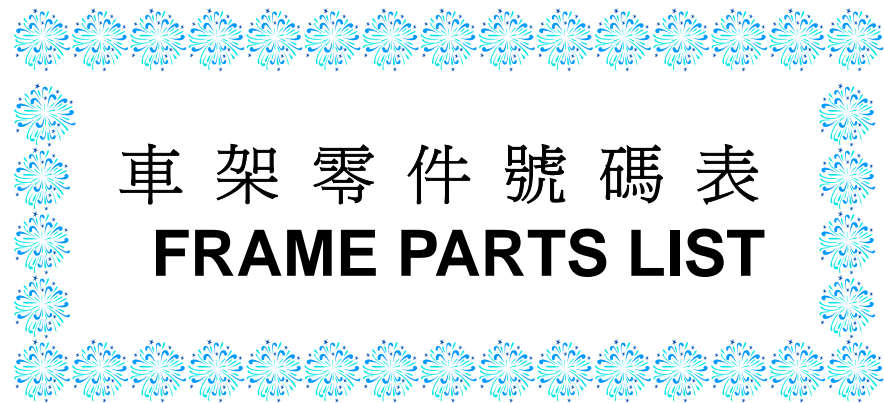


| 販賣記號 Sales mark | 項目 Ref no | 零件號碼 Part no | 版數 Ver | 英文名稱 Description | 中文名稱 Chinese | 需要用量 Regd no | 參考價 Ref Price |
|-----------------------|--------------|-------------------|-----------|---------------------|-----------------|-----------------|------------------|
| | | 1001-MA1H-0351 | 0 | SLOW JET | 慢速噴油嘴 | 1 | |
| | | 1010-43BH-9900 | 0 | NEEDLE JET | 小噴油嘴 | 1 | |
| | | 1531-803-2000 | 0 | BINDER | 線夾 | 1 | |
| | | 16051-KN7-7410-M1 | 0 | SPG COMPR | 彈簧 | 1 | |
| | | 16080-KJ9-0030 | 0 | SCREW PAN | 螺絲 | 2 | |
| | | 16107-KJ9-0030 | 0 | TOP SET | 真空活塞閥蓋 | 1 | |
| | | 1610K-KHD8-M00 | 0 | CARBURETOR ASSY | 化油器 | 1 | |
| | | 16111-KN7-7410-M1 | 0 | VACUUM PISTON COMP | 真空活塞閥 | 1 | |
| | | 16165-KJ9-0030 | 0 | NEEDLE JET HOLDER | 油針支架 | 1 | |
| | | 1621-885-2000 | 0 | HEATER | 加熱器 | 1 | |
| | | 1621-886-2000 | 0 | PLATE | 座 | 1 | |
| | | 1703-GJ2H-0040 | 0 | SET PLATE | 固定板 | 1 | |
| | | 4000-170-0000 | 0 | AUTO BYSTARTER SET | 自動旁通器 | 1 | |
| | | 93500-04008-1H | 0 | SCREW PAN | 螺絲 | 2 | |
| | | 93500-04014-1H | 0 | SCREW PAN | 螺絲 | 4 | |
| | | 93892-04008-18 | 0 | SCREW WASHER | 螺絲 | 2 | |
| | | 93892-05014-18 | 0 | SCREW WASHER | 螺絲 | 1 | |
| | | 99101-393-0980 | 0 | MAIN JET #98 | 主噴油嘴 #98 | 1 | |
| | | D1310-853-0110 | 0 | FLOAT COMP | 浮筒組 | 1 | |
| | | K350-GY6-0200 | 0 | FLOAT CHAMBER SET | 浮筒室組 | 1 | |

E 9 Carburetor

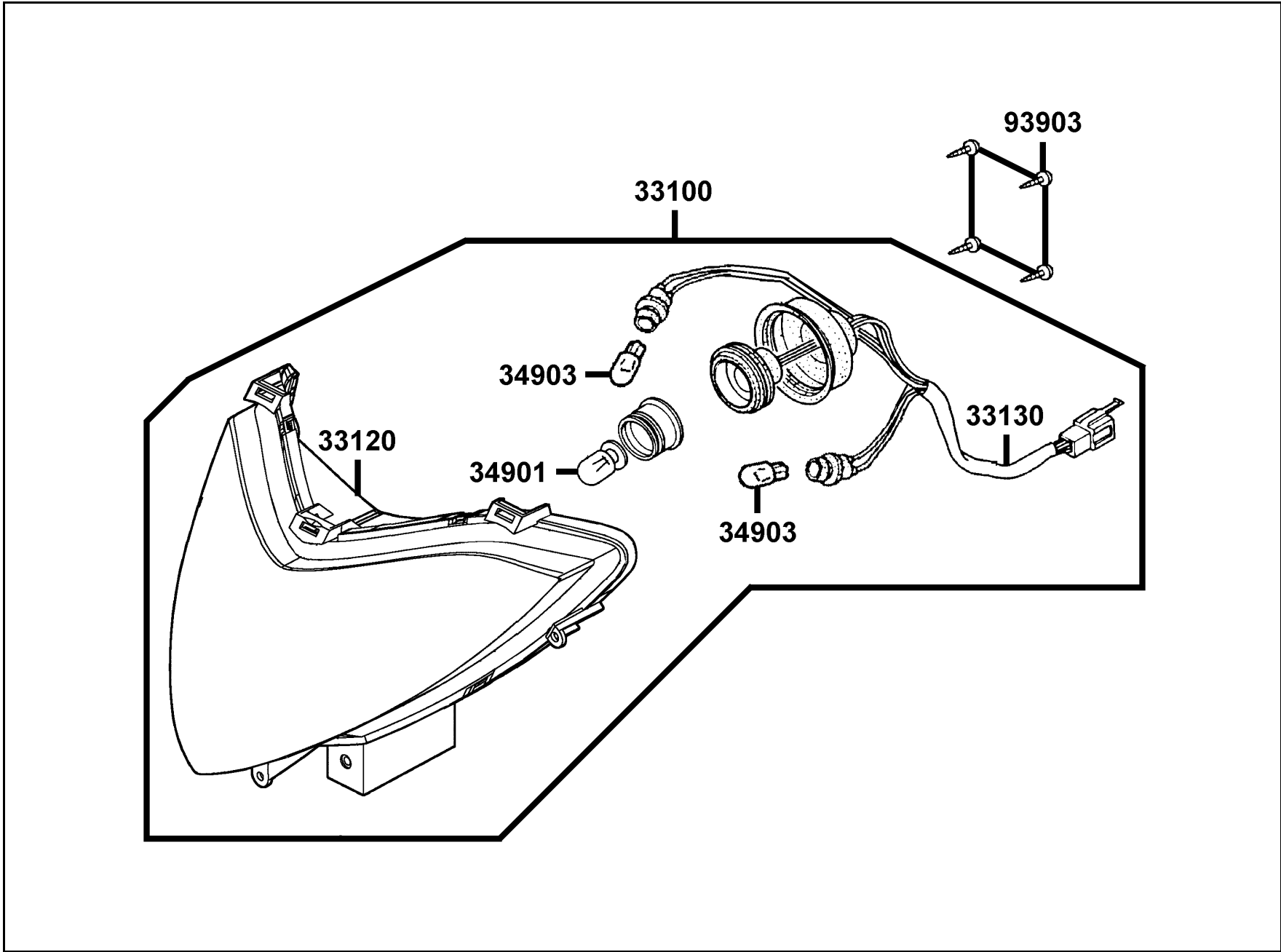


| 販賣記號 Sales mark | 項目 Ref no | 零件號碼 Part no | 版數 Ver | 英文名稱 Description | 中文名稱 Chinese | 需要用量 Regd no | 參考價 Ref Price |
|-----------------------|--------------|-----------------|-----------|---------------------|-----------------|-----------------|------------------|
| | | K6510-KBE-0100 | 0 | A.C.V ASSY | 阻風閥組 | 1 | |
| | | N413-30A00 | 0 | NEEDLE JET HOLDER | 油針支座 | 1 | |
| | | N425-9ZA00 | 0 | JET NEEDLE COMP | 油針 | 1 | |
| | | S362-0080 | 0 | FLOAT VALVE SET | 浮筒閥 | 1 | |
| | | S446-1210 | 0 | SCREW SET | 螺絲組 | 1 | |
| | | S506-0052 | 0 | VALVE PLATE SET | 阻板 | 1 | |
| | | S536-1050 | 0 | SCREW SET | 螺絲組 | 1 | |
| | | K785-KHD-0200 | 0 | TUBE SET | 通氣管 | 1 | |
| | | K785-KHD-0100 | 0 | TUBE SET | 通氣管 | 1 | |
| | | S7860-112-B000 | 0 | TUBE SET | 溢流管 | 1 | |
| | | W1314-014-9901 | 0 | ARM PIN | 浮筒閥臂銷 | 1 | |
| | | W1561-107-9920 | 0 | STAY WIRE | 起動閥配線支架 | 1 | |



車架零件號碼表
FRAME PARTS LIST

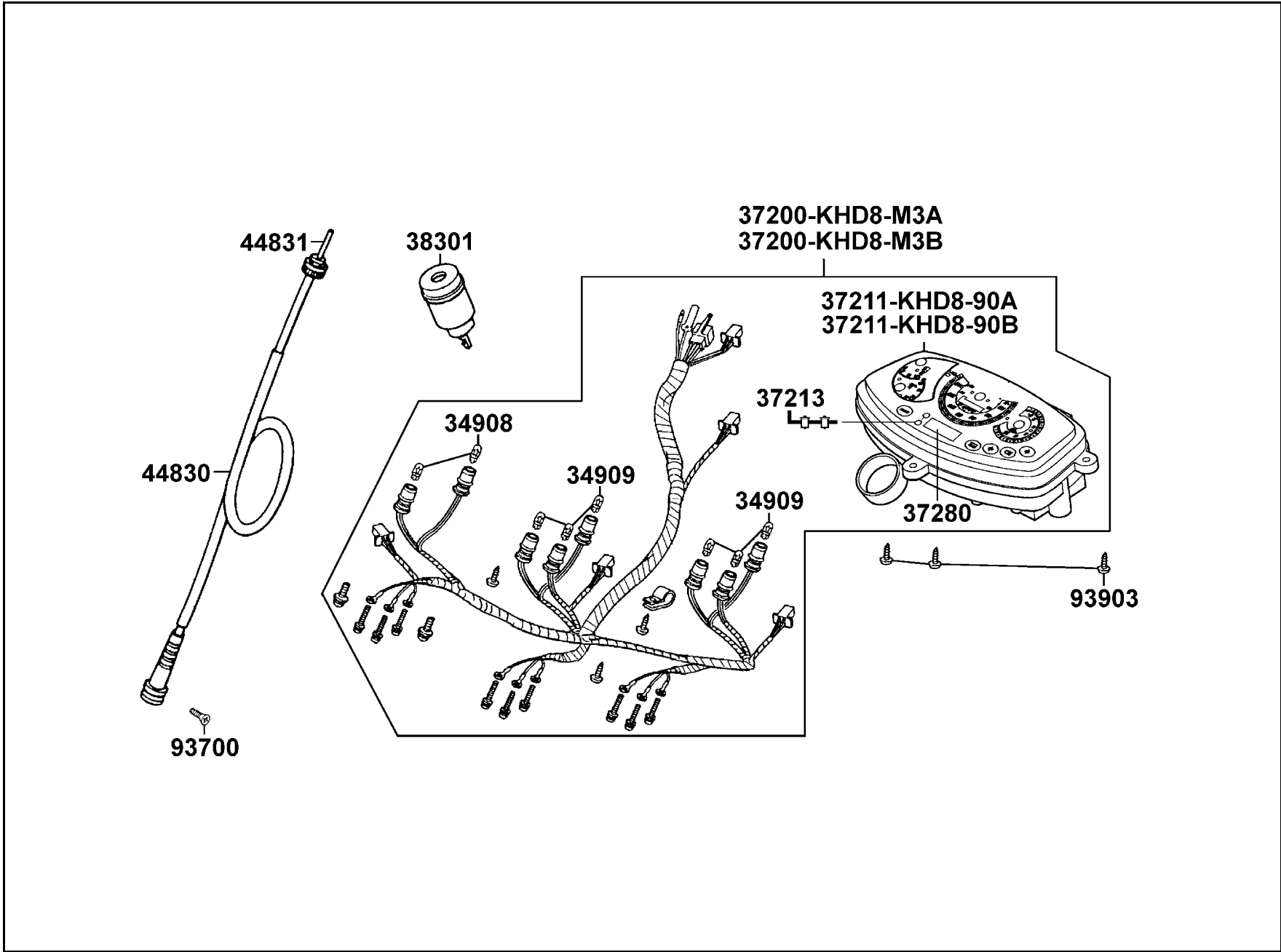
F 1 Head Light



F 1

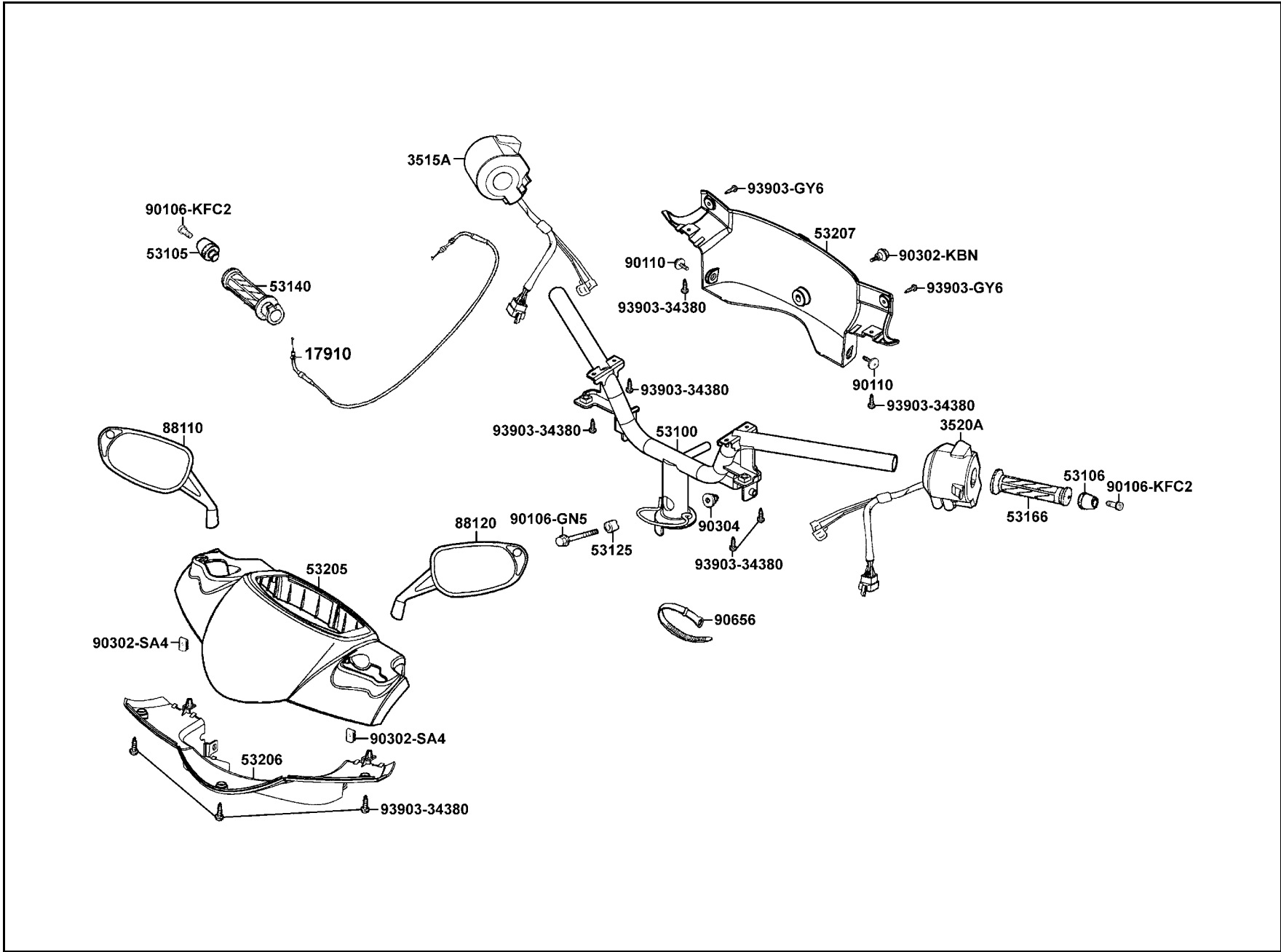
| 販賣記號 Sales mark | 項目 Ref no | 零件號碼 Part no | 版數 Ver | 英 文 名 稱 Description | 中 文 名 稱 Chinese | 需要用量 Regd no | 參考價 Ref Price |
|-----------------------|--------------|-----------------|-----------|------------------------|--------------------|-----------------|------------------|
| | | 33100-KHE7-M00 | 2 | LIGHT ASSY FR COMB | 前燈組 | 1 | |
| | | 33120-KHE7-M00 | 0 | UNIT HEAD LIGHT | 前燈殼 | 1 | |
| | | 33130-KHE7-M30 | 0 | SOCKET COMP | 前燈配線 | 1 | |
| | | 34901-KFA6-900 | 0 | BULB HEAD LIGHT | 前燈泡 | 1 | |
| | | 34903-KPCP-900 | 0 | BULB POSITION LIGHT | 位置燈燈泡 | 2 | |
| | | 93903-34360 | 0 | SCREW TAPPING 4*12 | 螺釘 4*12 | 4 | |

F 2 Speedometer



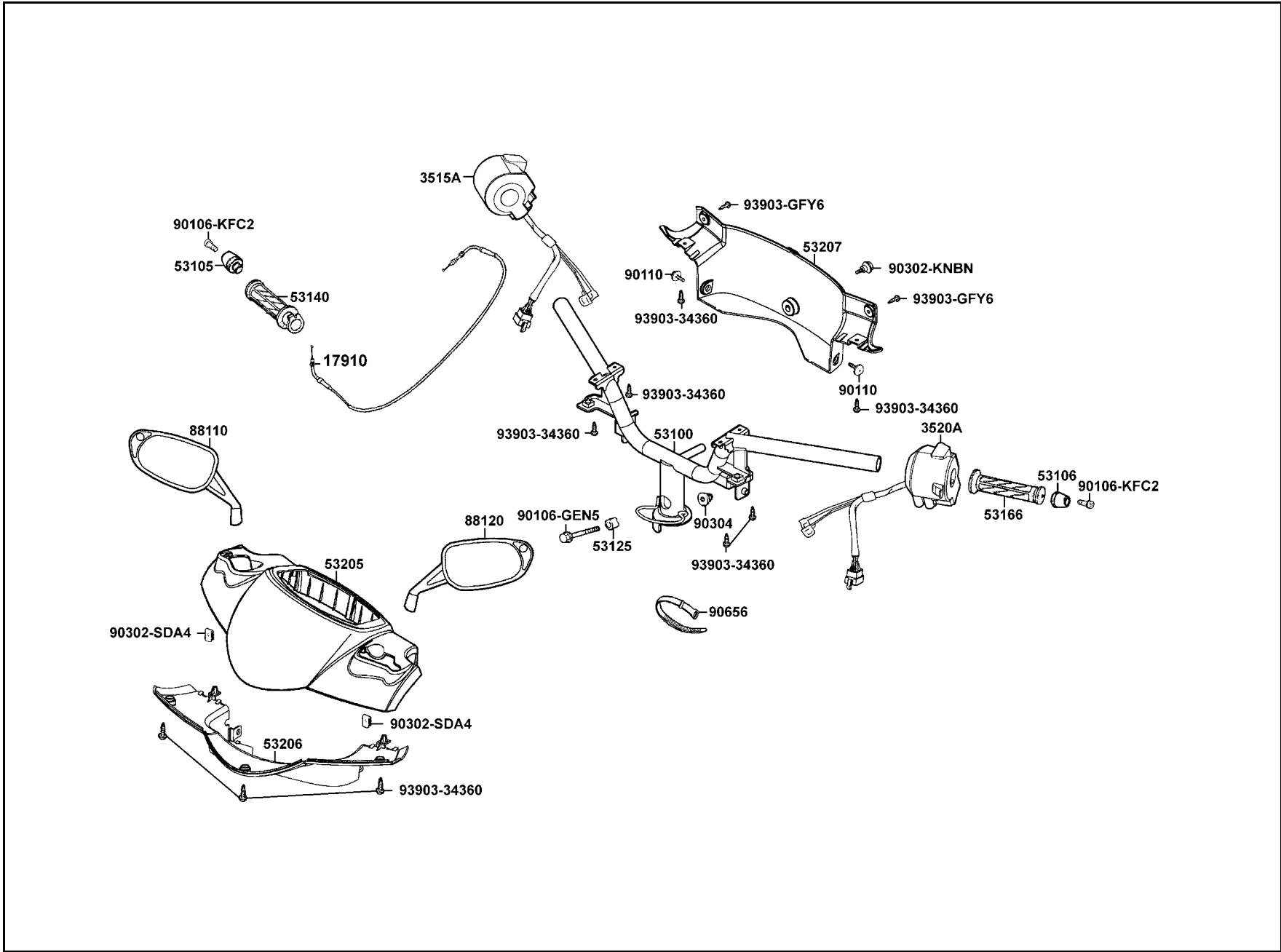
| 販賣記號 Sales mark | 項目 Ref no | 零件號碼 Part no | 版數 Ver | 英文名稱 Description | 中文名稱 Chinese | 需要用量 Regd no | 參考價 Ref Price |
|-----------------------|--------------|-----------------|-----------|----------------------|-----------------|-----------------|------------------|
| | | 34908-MKB9-87A | 0 | BULB WEDGE BASE | 儀錶內指示燈泡 | 2 | |
| | | 34909-KEBE-900 | 0 | BULB WEDGE BASE T6.5 | 儀錶內指示燈泡 | 6 | |
| | | 37200-KHD8-M3A | 1 | METER ASSY SPEED | 儀錶組 | 1 | |
| | | 37200-KHD8-M3B | 1 | METER ASSY SPEED | 儀錶組 | 1 | |
| | | 37211-KHD8-90A | 0 | LENS ASSY | 儀錶蓋 | 1 | |
| | | 37211-KHD8-90B | 0 | LENS ASSY | 儀錶蓋 | 1 | |
| | | 37213-KHD8-90A | 0 | PACKING (BOTTOM) | 電子鐘按鍵 | 2 | |
| | | 37213-KHD8-90B | 0 | PACKING (BOTTOM) | 電子鐘按鍵 | 2 | |
| | | 37280-KFA6-900 | 0 | LCD ASSY (CLOCK) | 電子時鐘 | 1 | |
| | | 38301-KHB5-M30 | 1 | RELAY COMP AP WINKER | 方向燈繼電器 | 1 | |
| | | 44830-KHD8-900 | 1 | CABLE COMP SPDMT | 速度錶導線 | 1 | |
| | | 44831-KHD8-900 | 0 | CABLE INNER | 速度錶內導線 | 1 | |
| | | 93700-05018-0H | 0 | SCREW OVAL 5*18 | 螺絲 5*18 | 1 | |
| | | 93903-35320 | 0 | SCREW TAPPING 5*16 | 螺釘 5*16 | 3 | |

F 3 Handle Steering ● Handle Cover



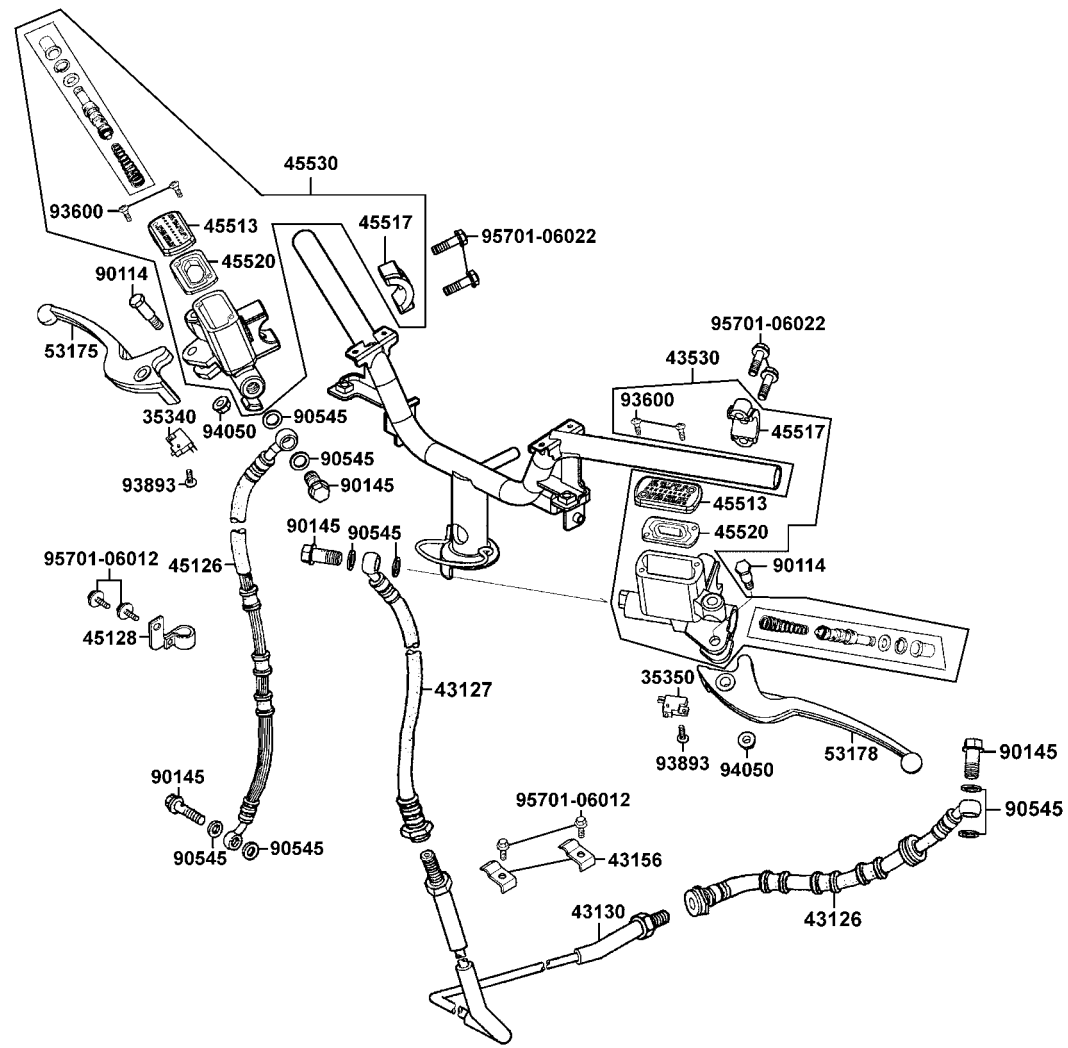
| 販賣記號 Sales mark | 項目 Ref no | 零件號碼 Part no | 版數 Ver | 英文名稱 Description | 中文名稱 Chinese | 需要用量 Regd no | 參考價 Ref Price |
|-----------------------|--------------|-----------------|-----------|-----------------------|-----------------|-----------------|------------------|
| | | 17910-KEBE-900 | 0 | CABLE COMP THROT | 節流導線 | 1 | |
| | | 3515A-KHD8-M00 | 0 | SW ASSY R HANDLE COMP | 手把右開關組 | 1 | |
| | | 3520A-KHD8-900 | 0 | SW ASSY L HANDLE COMP | 手把左開關組 | 1 | |
| | | 53100-KHD8-900 | 2 | HANDLE COMP STRG | 轉向手柄 | 1 | |
| | | 53105-KFC8-900 | 2 | END R STRG HANDLE | 手柄右平衡端子 | 1 | |
| | | 53106-KFC8-900 | 2 | END L STRG HANDLE | 手柄左平衡端子 | 1 | |
| | | 53125-GEN5-901 | 0 | COLLAR HANDLE SET | 套筒 | 1 | |
| ** | | 53140-KFC8-900 | 0 | GRIP COMP THROT | 節流管套組 | 1 | |
| ** | | 53166-KNBN-911 | 0 | GRIP L HANDLE | 手柄左橡皮套 | 1 | |
| ** | | 53205-KHD8-900 | 1 | COVER HNDL UP | 手柄上蓋 | 1 | |
| ** | | 53206-KHD8-M30 | 2 | COVER HANDLE LOW | 手柄下蓋 | 1 | |
| ** | | 53207-KHD8-900 | 1 | COVER HANDLE RR | 手把後蓋 | 1 | |
| ** | | 88110-KHD8-900 | 2 | MIRROR ASSY R BACK | 右後視鏡 | 1 | |
| ** | | 88120-KHD8-900 | 2 | MIRROR ASSY L BACK | 左後視鏡 | 1 | |
| | | 90106-GEN5-901 | 0 | BOLT FLANGE 10*50 | 螺絲 10*50 | 1 | |
| | | 90106-KFC2-900 | 0 | BOLT SPECIAL 8*42 | 螺絲 8*42 | 2 | |
| | | 90110-KEB7-900 | 1 | SCREW SPECIAL 6*14 | 特殊螺絲 6*14 | 2 | |
| | | 90302-KNBN-900 | 0 | BOLT PAN 5*10 | 螺絲 5*10 | 1 | |
| | | 90302-SDA4-004 | 1 | NUT SPRING 4MM | 彈簧螺帽 4MM | 2 | |
| | | 90304-GHE8-004 | 0 | NUT U 10MM | 螺帽 10MM | 1 | |

F 3 Handle Steering ● Handle Cover



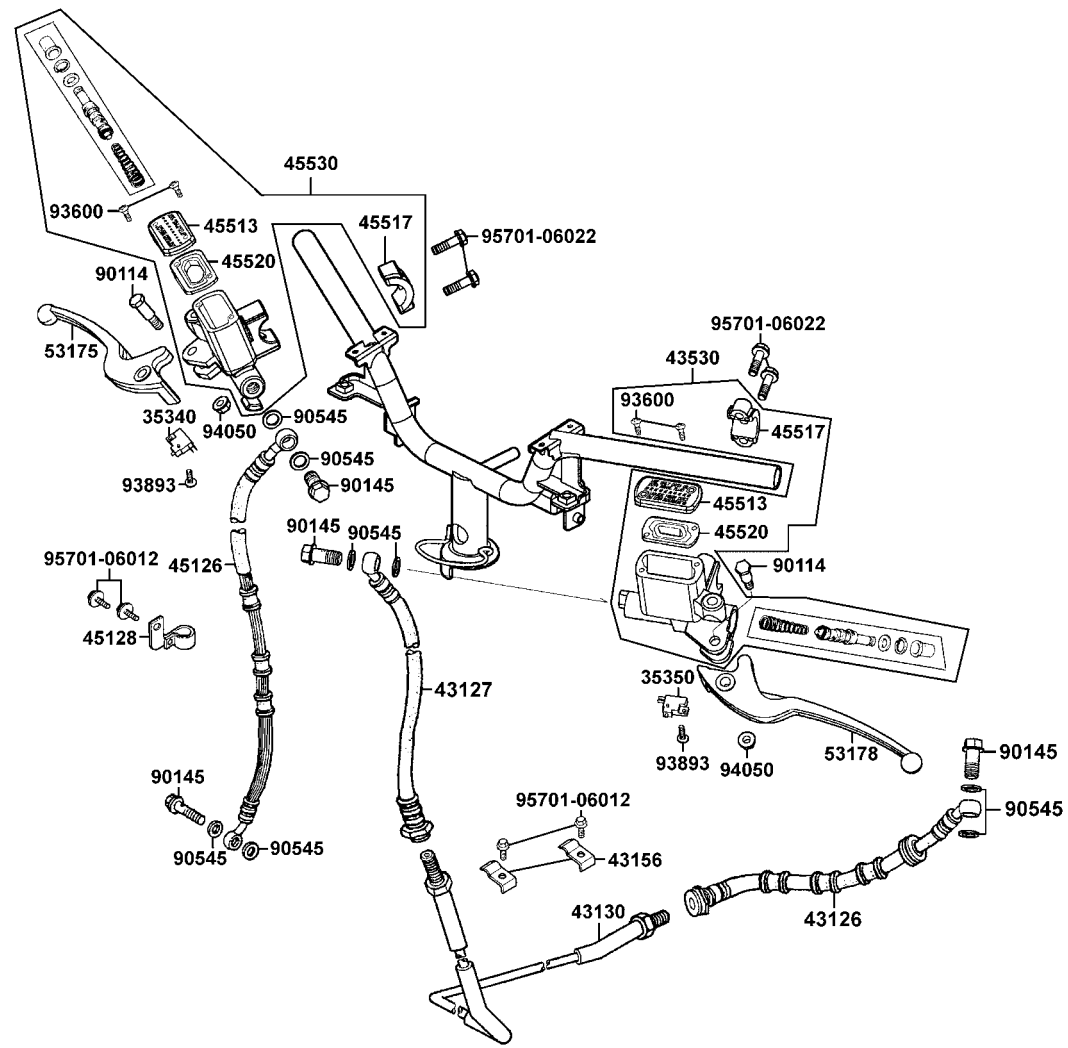
| 販賣記號 Sales mark | 項目 Ref no | 零件號碼 Part no | 版數 Ver | 英 文 名 稱 Description | 中 文 名 稱 Chinese | 需要用量 Regd no | 參考價 Ref Price |
|-----------------------|--------------|-----------------|-----------|------------------------|--------------------|-----------------|------------------|
| | | 90656-GFY6-911 | 0 | BAND OIL HOSE | 束帶 | 1 | |
| | | 93903-34360 | 0 | SCREW TAPPING 4*12 | 螺釘 4*12 | 9 | |
| | | 93903-GFY6-900 | 1 | SCREW TAPPING 4*14 | 螺絲 4*14 | 2 | |

F 4 Brake Master Cylinder



| 販賣記號 Sales mark | 項目 Ref no | 零件號碼 Part no | 版數 Ver | 英文名稱 Description | 中文名稱 Chinese | 需要用量 Regd no | 參考價 Ref Price |
|-----------------------|--------------|-----------------|-----------|------------------------|-----------------|-----------------|------------------|
| | | 35340-KNBN-900 | 0 | SW ASSY FR STOP | 煞車燈前置開關 | 1 | |
| | | 35350-KNBN-900 | 0 | SW ASSY RR STOP | 煞車燈後置開關 | 1 | |
| | | 43126-KHD8-900 | 2 | HOSE ASSY C/P RR BRAKE | 後煞車油管後段 | 1 | |
| | | 43127-KHD8-900 | 1 | HOSE ASSY M/C RR BRAKE | 後煞車油管前段 | 1 | |
| | | 43130-KHD8-900 | 0 | TUBE ASSY RR BRAKE | 後煞車油連接銅管 | 1 | |
| | | 43156-KEBE-900 | 0 | STAY RR BRAKE HOSE | 後煞車油管支架 | 2 | |
| | | 43530-KHD4-3050 | 0 | CYLINDER SET RR MASTER | 後煞車主油缸 | 1 | |
| | | 45126-KHD8-900 | 1 | HOSE ASSY FR BRAKE | 前煞車油管 | 1 | |
| | | 45128-KEBE-900 | 0 | CLAMPER FR BRAKE HOSE | 煞車油管夾 | 1 | |
| | | 45513-KHD4-B00 | 2 | CAP MASTER CYLINDER | 煞車主油缸蓋 | 2 | |
| | | 45517-KFAF-910 | 0 | HOLDER M/C | 主油缸固定座 | 2 | |
| | | 45520-GLW0-91A | 0 | DIAPHRAGM | 隔膜 | 2 | |
| | | 45530-KHD4-3050 | 0 | CYLN SET FR MASTER | 前煞車主油缸 | 1 | |
| | | 53175-KFA5-E10 | 0 | LEVER R STRG HANDLRE | 手柄右拉桿 | 1 | |
| | | 53178-KFC8-E10 | 0 | LEVER L STRG HANDLE | 手柄左拉桿 | 1 | |
| | | 90114-1F66-007 | 2 | BOLT HANDLE LEVER | 拉桿固定螺絲 | 2 | |
| | | 90145-MKS9-61A | 1 | OIL BOLT 10*22 | 油管螺絲 10*22 | 4 | |
| | | 90545-3L00-001 | 2 | WASHER OIL BOLT | 華司 | 8 | |
| | | 93600-04012-1G | 0 | SCREW FLAT 4*12 | 螺絲 4*12 | 4 | |
| | | 93893-04012-18 | 0 | SCREW WASHER 4*12 | 螺絲 4*12 | 2 | |

F 4 Brake Master Cylinder

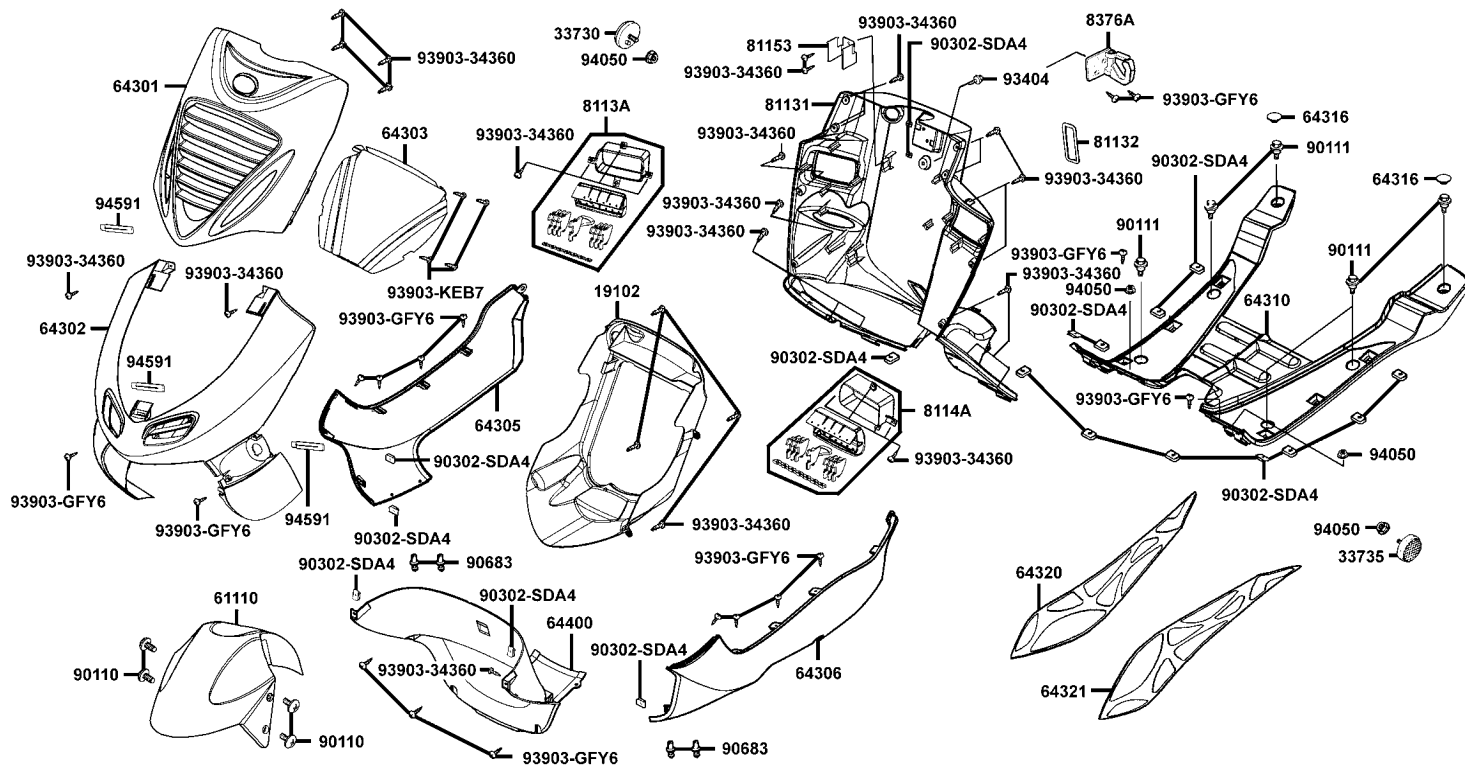


F 4

| 販賣記號 Sales mark | 項目 Ref no | 零件號碼 Part no | 版數 Ver | 英 文 名 稱 Description | 中 文 名 稱 Chinese | 需要用量 Regd no | 參考價 Ref Price |
|-----------------------|--------------|-----------------|-----------|------------------------|--------------------|-----------------|------------------|
| | | 94050-06070 | 0 | NUT FLANGE 6MM | 螺帽 6MM | 2 | |
| | | 95701-06012-08 | 0 | BOLT FLANGE 6*12 | 螺絲 6*12 | 4 | |
| | | 95701-06022-06 | 1 | BOLT FLANGE 6*22 | 螺絲 6*22 | 4 | |

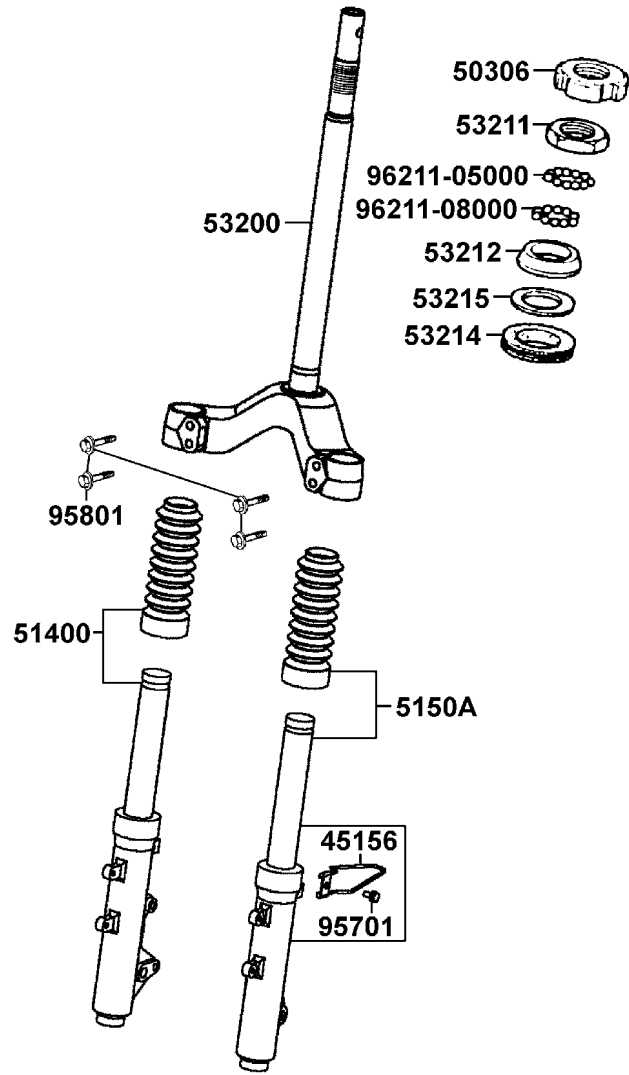
| 販賣記號 Sales mark | 項目 Ref no | 零件號碼 Part no | 版數 Ver | 英文名稱 Description | 中文名稱 Chinese | 需要用量 Regd no | 參考價 Ref Price |
|-----------------------|--------------|-----------------|-----------|---------------------------------|-----------------|-----------------|------------------|
| | | 19102-KHE7-900 | 0 | DUCT COOLING AIR | 冷卻空氣導入口 | 1 | |
| | | 33730-KHD8-M00 | 0 | REFLEX REFLECTOR COMP FR R SIDE | 右反射器 | 1 | |
| | | 33735-KHD8-M00 | 0 | REFLEX REFLECTOR COMP FR L SIDE | 左反射器 | 1 | |
| ** | | 61110-KHD8-900 | 2 | FENDER FR | 前土除 | 1 | |
| ** | | 64301-KHE7-900 | 2 | COVER FR | 前護蓋 | 1 | |
| ** | | 64302-KHD8-900 | 0 | MOLDING FR | 前護條 | 1 | |
| | | 64303-KHE7-900 | 1 | GRILL FR COVER | 前護蓋通氣孔 | 1 | |
| ** | | 64305-KHD8-900 | 0 | SKIRT R SIDE | 右邊軌 | 1 | |
| ** | | 64306-KHD8-900 | 0 | SKIRT L SIDE | 左邊軌 | 1 | |
| ** | | 64310-KHD8-900 | 0 | FLOOR PANEL | 腳踏板 | 1 | |
| ** | | 64316-KEB7-900 | 0 | PLUG FLOOR PANEL | 腳踏板塞蓋 | 2 | |
| ** | | 64320-KHD8-900 | 2 | MAT R FLOOR | 右腳踏板橡皮墊 | 1 | |
| ** | | 64321-KHD8-900 | 2 | MAT L FLOOR | 左腳踏板橡皮墊 | 1 | |
| ** | | 64400-KHD8-900 | 1 | COWL UNDER | 下罩 | 1 | |
| ** | | 81131-KHD8-M30 | 0 | LEG SHIELD | 內箱幹殼 | 1 | |
| ** | | 81132-KEB7-900 | 1 | LID LEG SHIELD | 內箱蓋 | 1 | |
| | | 8113A-KHD8-900 | 0 | LOUVER ASSY R | 右通氣窗 | 1 | |
| | | 8114A-KHD8-900 | 0 | LOUVER ASSY L | 左通氣窗 | 1 | |
| | | 81153-KHD8-900 | 0 | STAY RELAY | 繼電器支架 | 1 | |
| | | 8376A-KEBE-900 | 4 | CLIP ASSY CENTER | 中心掛鉤 | 1 | |

F 5 Front Cover●Floor Panel



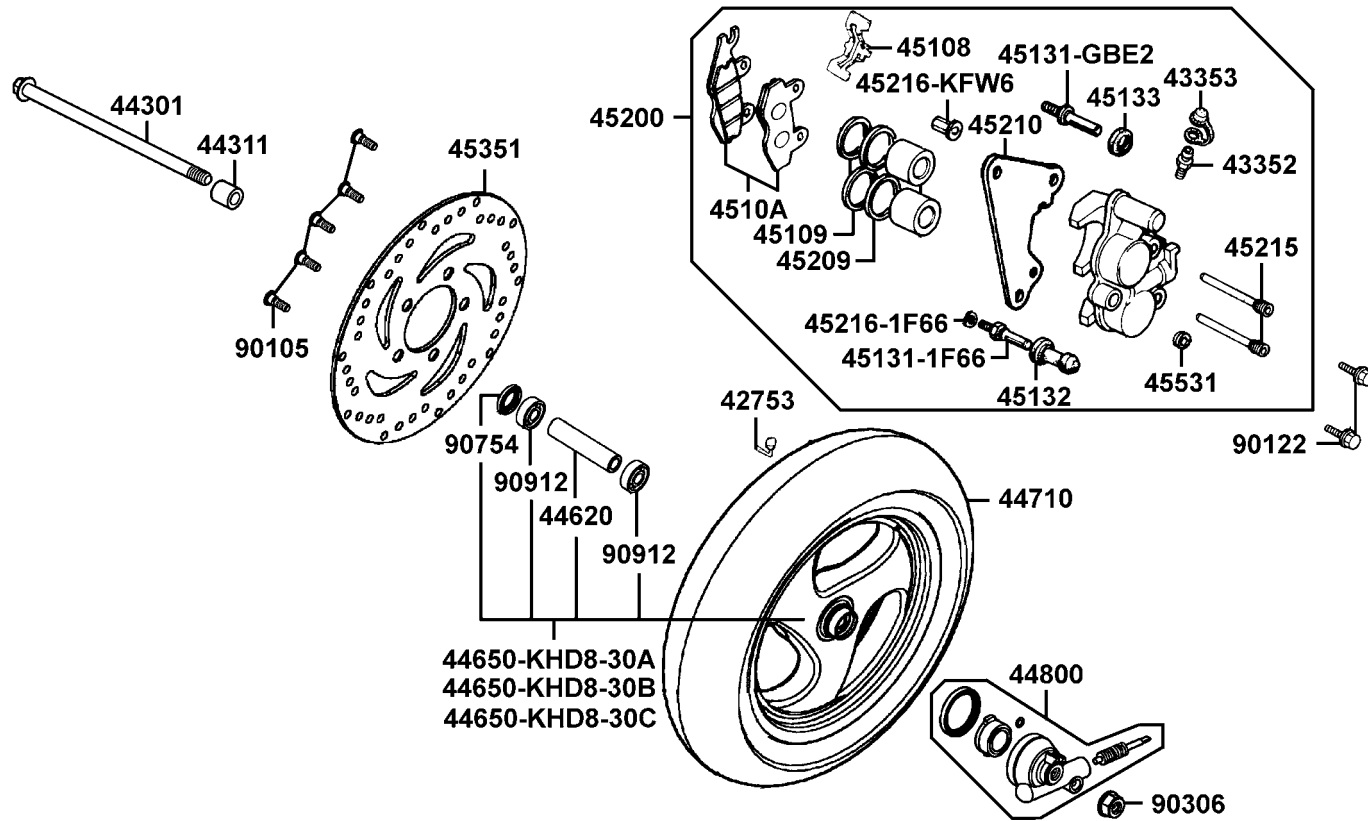
| 販賣記號 Sales mark | 項目 Ref no | 零件號碼 Part no | 版數 Ver | 英文名稱 Description | 中文名稱 Chinese | 需要用量 Regd no | 參考價 Ref Price |
|-----------------------|--------------|-----------------|-----------|---------------------|-----------------|-----------------|------------------|
| | | 90110-KEB7-900 | 1 | SCREW SPECIAL 6*14 | 特殊螺絲 6*14 | 4 | |
| | | 90111-1G87-001 | 1 | BOLT FLANGE 6MM | 螺絲 6MM | 6 | |
| | | 90302-SDA4-004 | 1 | NUT SPRING 4MM | 螺帽 4MM | 19 | |
| | | 90683-GAR1-004 | 4 | CLIP BODY COVER | 邊蓋夾 | 4 | |
| | | 93404-KKC2-900 | 1 | BOLT WASHER 6*16 | 螺絲 6*16 | 1 | |
| | | 93903-34360 | 0 | SCREW TAPPING 4*12 | 螺釘 4*12 | 35 | |
| | | 93903-GFY6-900 | 1 | SCREW TAPPING 4*14 | 螺釘 4*14 | 17 | |
| | | 93903-KEB7-900 | 1 | SCREW WASHER 4MM | 螺絲 4MM | 4 | |
| | | 94050-06080 | 0 | NUT FLANGE 6MM | 螺帽 6MM | 4 | |
| | | 94591-27000 | 0 | CLIP 2*70 | 夾子 2*70 | 3 | |

F 6 Steering Stem ● Front Cushion



| 販賣記號 Sales mark | 項目 Ref no | 零件號碼 Part no | 版數 Ver | 英 文 名 稱 Description | 中 文 名 稱 Chinese | 需要用量 Regd no | 參考價 Ref Price |
|-----------------------|--------------|-----------------|-----------|---------------------------|--------------------|-----------------|------------------|
| | | 45156-KECE-900 | 1 | CLAMPER CABLE | 導線夾 | 1 | |
| | | 50306-1F96-001 | 1 | NUT STRG STEM LOCK | 主幹螺帽 | 1 | |
| ** | | 51400-KHD8-900 | 1 | FORK ASSY R FR | 右前避震器組 | 1 | |
| ** | | 5150A-KHD8-900 | 1 | FORK SET L FR | 左前避震器組 | 1 | |
| | | 53200-KHD8-900 | 0 | STEM COMP STRG | 轉向主桿 | 1 | |
| | | 53211-GFY6-940 | 1 | RACE STRG TOP CONE | 上錐體座圈 | 1 | |
| | | 53212-2L50-011 | 1 | RACE (STRG BOTTOM) CONE | 下錐體座圈 | 1 | |
| | | 53214-2L50-001 | 0 | DUST SEAL STRG (HEAD) | 防塵油封 | 1 | |
| | | 53215-2L50-001 | 0 | WASHER STRG HDL DUST-SEAL | 華司 | 1 | |
| | | 95701-06012-08 | 0 | BOLT FLANGE 6*12 | 螺絲 6*12 | 1 | |
| | | 95801-08040-08 | 0 | BOLT FLANGE 8*40 | 螺絲 8*40 | 4 | |
| | | 96211-05000 | 0 | BALL STEEL #5 | 鋼珠 #5 | 26 | |
| | | 96211-08000 | 0 | BALL STEEL #8 | 鋼珠 #8 | 19 | |

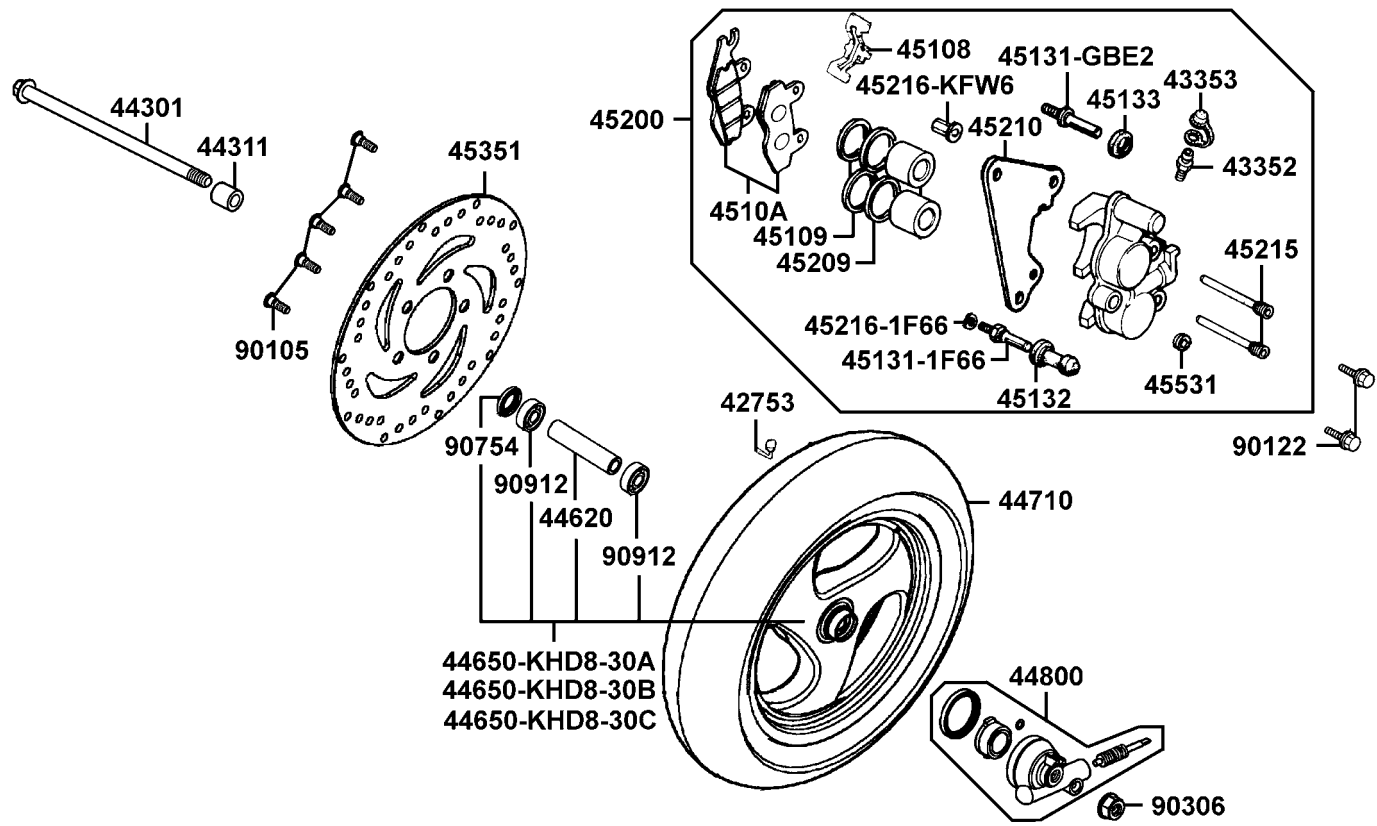
F 7 Front Wheel



F 7

| 販賣記號 Sales mark | 項目 Ref no | 零件號碼 Part no | 版數 Ver | 英文名稱 Description | 中文名稱 Chinese | 需要用量 Regd no | 參考價 Ref Price |
|-----------------------|--------------|-----------------|-----------|-------------------------|-----------------|-----------------|------------------|
| | | 42753-KXCX-900 | 1 | VALVE RIM PVR 70B | 打氣嘴 | 1 | |
| | | 43352-KKD6-E90 | 1 | SCREW BLEEDER | 加油嘴 | 1 | |
| | | 43353-4A61-77A | 0 | CAP BLEEDER | 加油嘴蓋 | 1 | |
| | | 44301-KXCX-900 | 2 | AXLE FR WHEEL | 前輪軸 | 1 | |
| | | 44311-KEBE-900 | 0 | COLLAR FR WHEEL SIDE | 前輪邊套筒 | 1 | |
| | | 44620-KHD8-900 | 0 | COLLAR FR AXLE DISTANCE | 前輪軸距套筒 | 1 | |
| ** | | 44650-KHD8-30A | 3 | WHEEL SET FR | 前輪圈組 | 1 | |
| ** | | 44650-KHD8-30B | 3 | WHEEL SET FR | 前輪圈組 | 1 | |
| ** | | 44650-KHD8-30C | 4 | WHEEL SET FR | 前輪圈組 | 1 | |
| | | 44710-KEB7-E1A | 3 | TIRE ASSY FR | 前輪胎 | 1 | |
| | | 44800-KFA5-900 | 1 | GEAR BOX ASSY | 速度齒輪箱組 | 1 | |
| | | 45108-MDL4-007 | 0 | PAD SPG | 摩擦板彈簧 | 1 | |
| | | 45109-GBE2-007 | 0 | DUST SEAL | 防塵封 | 2 | |
| | | 4510A-KFW6-900 | 2 | PAD SET | 煞車摩擦板組 | 1 | |
| | | 45131-1F66-017 | 1 | PIN BOLT | 螺絲銷 | 1 | |
| | | 45131-GBE2-007 | 1 | PIN BOLT A | 螺絲銷 A | 1 | |
| | | 45132-1F66-017 | 0 | BUSH BOOT PIN | 襯套 | 1 | |
| | | 45133-MCA3-007 | 0 | BOOT B | 襯套 B | 1 | |
| ** | | 45200-KHD8-E90 | 0 | CALIPER ASSY FR | 前煞車卡鉗組 | 1 | |
| | | 45209-GBE2-007 | 0 | SEAL PISTON | 油封 | 2 | |

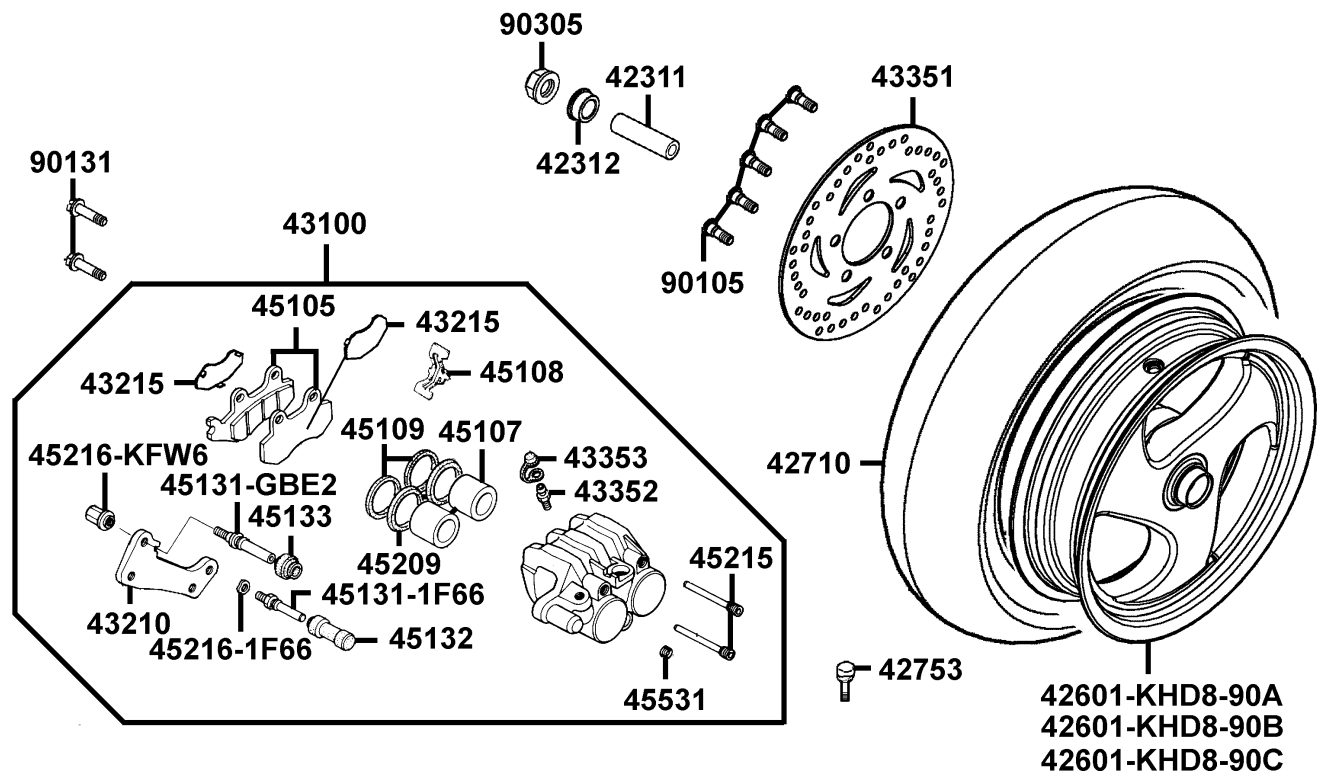
F 7 Front Wheel



F 7

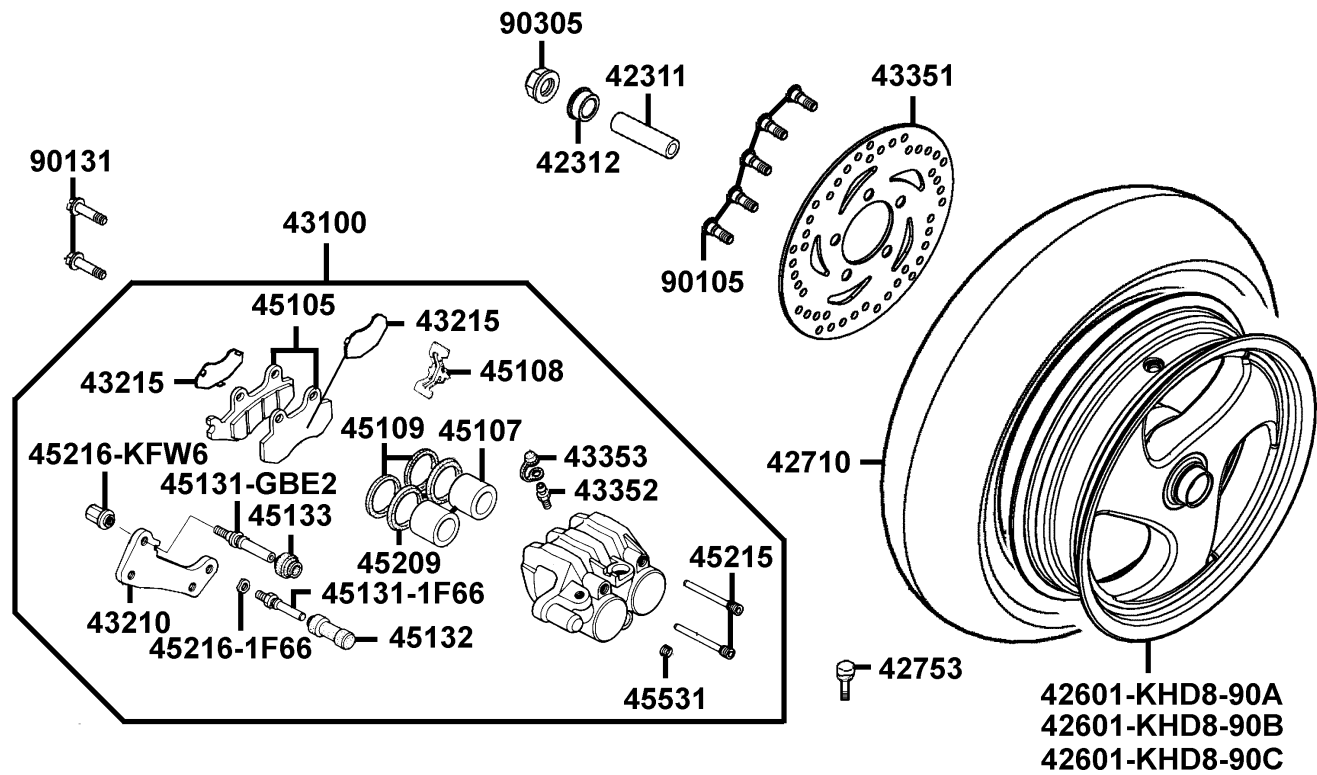
| 販賣記號 Sales mark | 項目 Ref no | 零件號碼 Part no | 版數 Ver | 英 文 名 稱 Description | 中 文 名 稱 Chinese | 需要用量 Regd no | 參考價 Ref Price |
|-----------------------|--------------|-----------------|-----------|------------------------|--------------------|-----------------|------------------|
| | | 45210-KHD8-900 | 0 | BRACKET FR | 前煞車卡鉗托架 | 1 | |
| | | 45215-KKD6-E90 | 1 | PIN HANGER | 吊架銷 | 2 | |
| | | 45216-1F66-007 | 0 | WASHER WAVE | 華司 | 1 | |
| | | 45216-KFW6-90A | 0 | TORQUE NUT | 螺帽 | 1 | |
| | | 45351-KHD8-900 | 0 | DISK FR BRAKE | 煞車摩擦圓盤 | 1 | |
| | | 45531-GAR1-951 | 0 | PLUG | 塞蓋 | 1 | |
| | | 90105-KCR3-001 | 1 | BOLT FR DISK 8*24 | 螺絲 8*24 | 5 | |
| | | 90122-KEBE-900 | 2 | BOLT FLANGE 8X32 | 螺絲 8*32 | 2 | |
| | | 90306-KLF0-901 | 0 | NUT FLANGE 12MM | 螺帽 12MM | 1 | |
| | | 90754-GHC8-00A | 1 | DUST SEAL 20*32*5 | 油封 20*32*5 | 1 | |
| | | 90912-KFLF-00A | 0 | BEARING 6201 LLU | 軸承 6201 | 2 | |

F 8 Rear Wheel



| 販賣記號 Sales mark | 項目 Ref no | 零件號碼 Part no | 版數 Ver | 英文名稱 Description | 中文名稱 Chinese | 需要用量 Regd no | 參考價 Ref Price |
|-----------------------|--------------|-------------------|-----------|---------------------|-----------------|-----------------|------------------|
| | | 42311-KFC8-900 | 2 | COLLAR RR AXLE A | 後輪軸套筒 A | 1 | |
| | | 42312-KEBE-900 | 0 | COLLAR RR AXLE SIDE | 後輪軸邊套筒 | 1 | |
| ** | | 42601-KHD8-90A | 1 | WHEEL RR CAST | 後輪圈 | 1 | |
| ** | | 42601-KHD8-90B | 1 | WHEEL RR CAST | 後輪圈 | 1 | |
| ** | | 42601-KHD8-90C | 1 | WHEEL RR CAST | 後輪圈 | 1 | |
| | | 42710-KFC8-90A | 1 | TIRE ASSY RR | 後輪胎 | 1 | |
| | | 42753-KNBN-90B | 0 | RIM VALVE (PVR-70) | 打氣嘴 | 1 | |
| ** | | 43100-KHD8-900 | 0 | CALIPER ASSY RR | 後煞車卡鉗組 | 1 | |
| | | 43210-KHD8-900 | 0 | BRACKET RR C/P | 後煞車卡鉗托架 | 1 | |
| | | 43215-KEBE-900 | 0 | PAD HANGER | 填隙片 | 2 | |
| | | 43351-KHD8-900 | 0 | DISK RR BRAKE | 煞車摩擦圓盤 | 1 | |
| | | 43352-5H68-004 | 0 | SCREW BLEEDER | 加油嘴 | 1 | |
| | | 43353-4A61-77A | 0 | CAP BLEEDER | 加油嘴蓋 | 1 | |
| | | 45105-KEBE-305-M2 | 0 | PAD SET | 煞車摩擦板組 | 1 | |
| | | 45107-MEN5-007 | 0 | PISTON | 卡鉗活塞 | 2 | |
| | | 45108-MDL4-007 | 0 | PAD SPG | 摩擦板彈簧 | 1 | |
| | | 45109-GBE2-007 | 0 | DUST SEAL | 防塵封 | 2 | |
| | | 45131-1F66-017 | 0 | PIN BOLT | 螺絲銷 | 1 | |
| | | 45131-GBE2-007 | 0 | PIN BOLT A | 螺絲銷 A | 1 | |
| | | 45132-1F66-017 | 0 | BUSH BOOT PIN | 襯套 | 1 | |

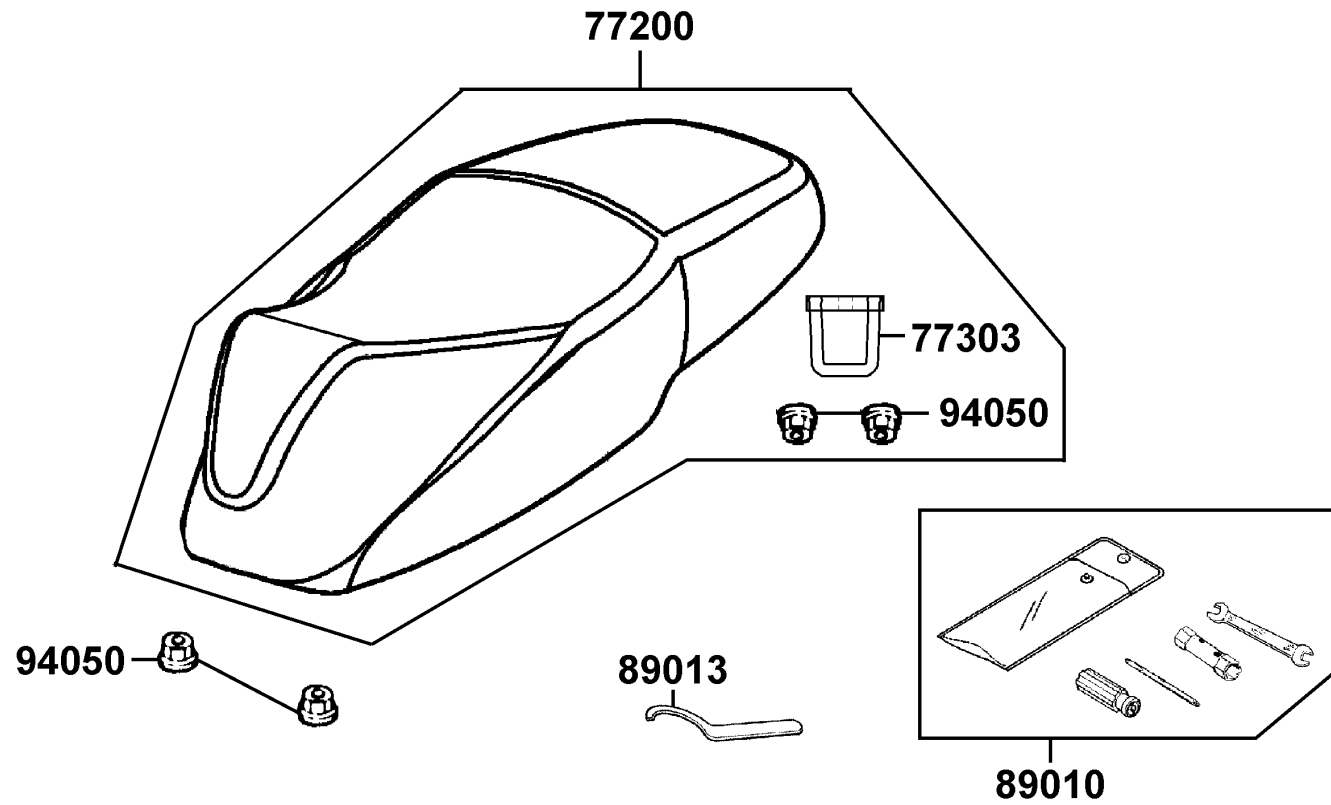
F 8 Rear Wheel



F 8

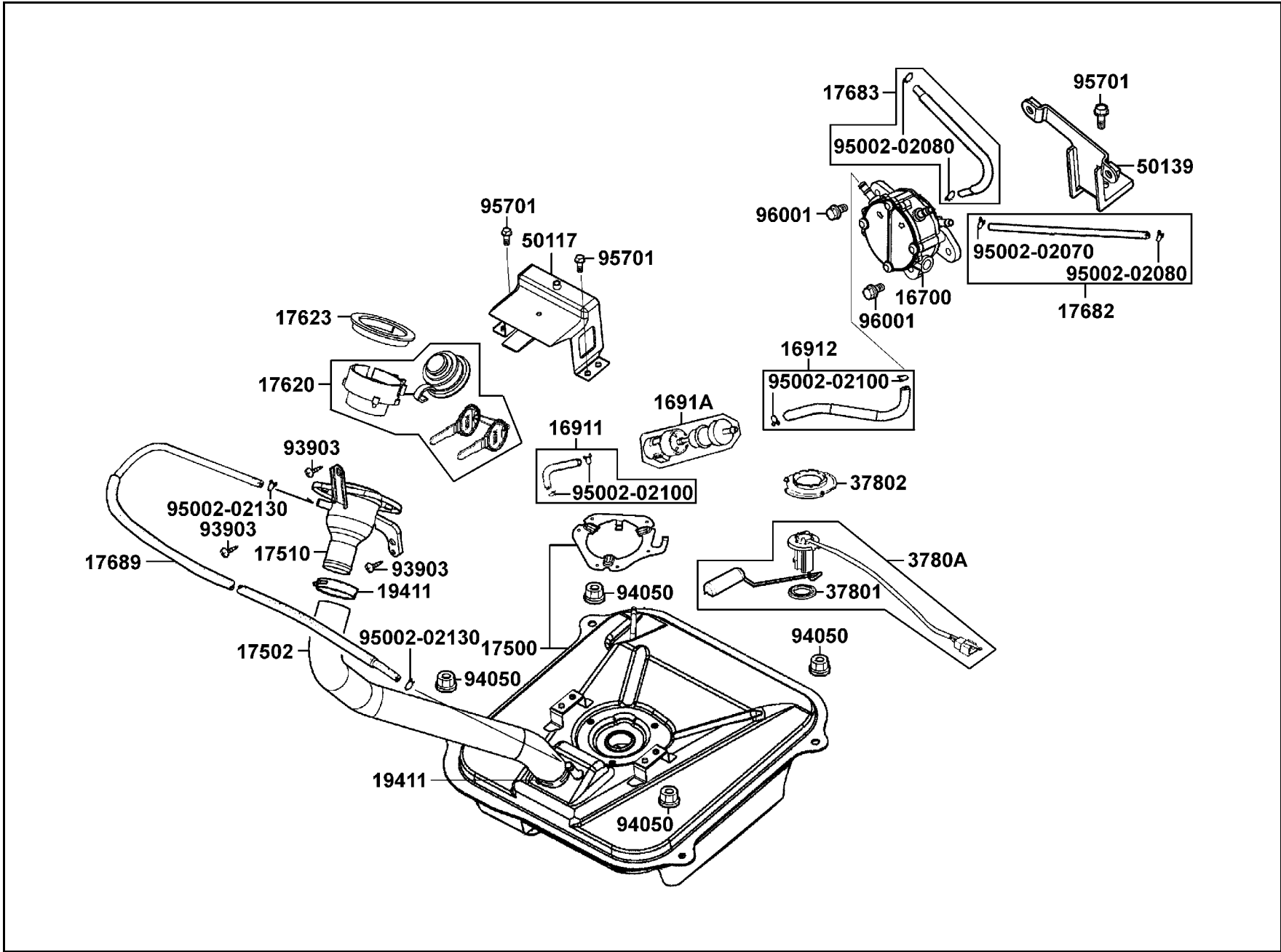
| 販賣記號 Sales mark | 項目 Ref no | 零件號碼 Part no | 版數 Ver | 英 文 名 稱 Description | 中 文 名 稱 Chinese | 需要用量 Regd no | 參考價 Ref Price |
|-----------------------|--------------|-----------------|-----------|------------------------|--------------------|-----------------|------------------|
| | | 45133-MCA3-007 | 0 | BOOT B | 襯套 B | 1 | |
| | | 45209-GBE2-007 | 0 | SEAL PISTON | 油封 | 2 | |
| | | 45215-KECE-900 | 0 | PIN HANGER | 卡鉗吊架銷 | 2 | |
| | | 45216-1F66-007 | 0 | WASHER WAVE | 華司 | 1 | |
| | | 45216-KFW6-90A | 0 | TORQUE NUT | 螺帽 | 1 | |
| | | 45531-GAR1-951 | 0 | PLUG | 塞蓋 | 1 | |
| | | 90105-KCR3-001 | 1 | BOLT FR DISK 8*24 | 螺絲 8*24 | 5 | |
| | | 90131-GLW0-911 | 0 | BOLT FLANGE 8*35 | 螺絲 8*35 | 2 | |
| | | 90305-KFW6-91A | 0 | NUT U FLANGE 16MM | 螺帽 16MM | 1 | |

F 9 Seat



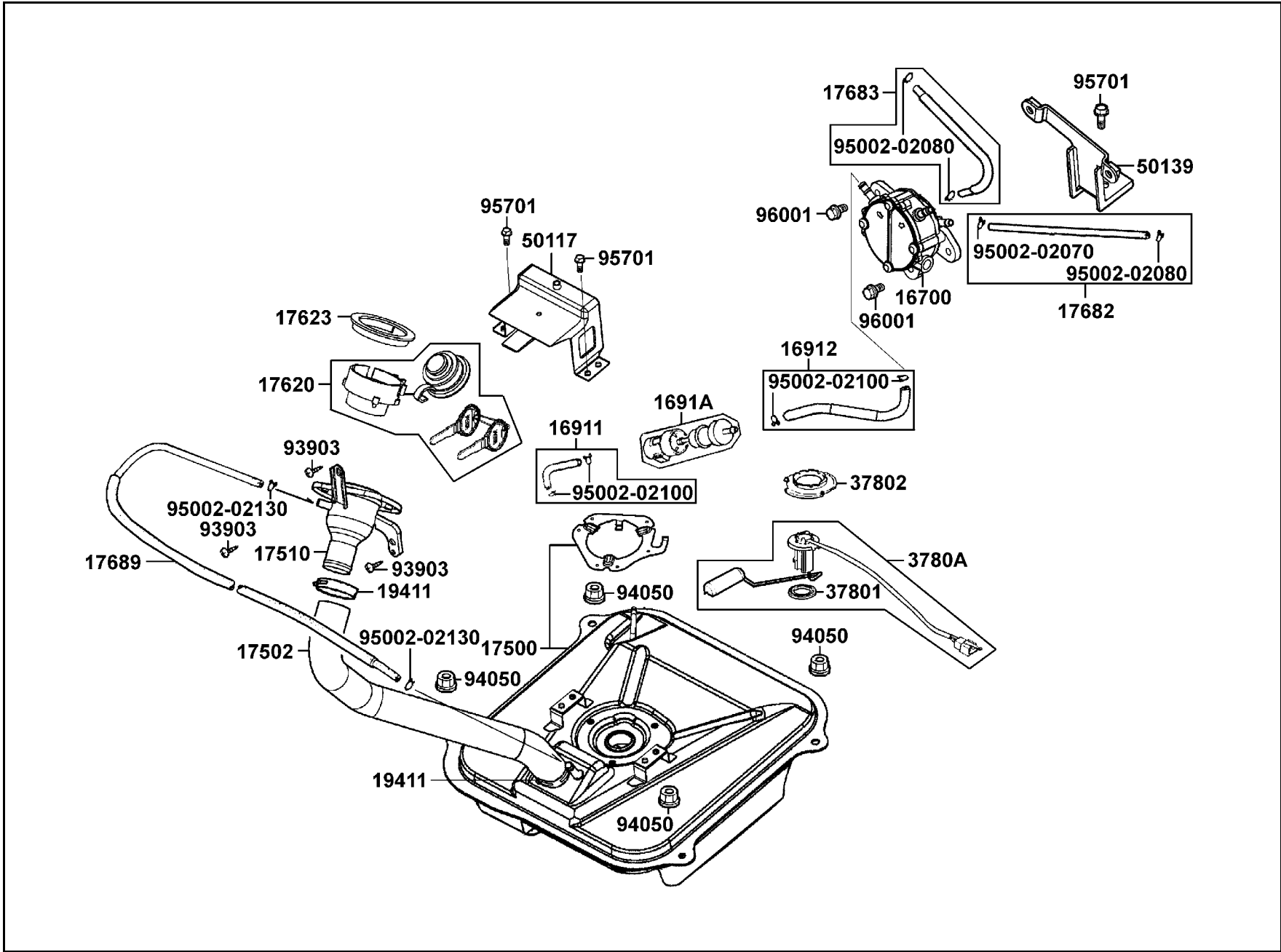
| 販賣記號 Sales mark | 項目 Ref no | 零件號碼 Part no | 版數 Ver | 英 文 名 稱 Description | 中 文 名 稱 Chinese | 需要用量 Regd no | 參考價 Ref Price |
|-----------------------|--------------|-----------------|-----------|------------------------|--------------------|-----------------|------------------|
| ** | | 77200-KHD8-E00 | 1 | SEAT ASSY | 座墊 | 1 | |
| | | 77303-KEBE-900 | 1 | HOOK SEAT LOCK | 座墊鉤 | 1 | |
| | | 89010-KGN7-C00 | 2 | TOOL SET | 工具包組 | 1 | |
| | | 89013-KFC8-E00 | 1 | ADJUSTER REAR CUSHION | 後避震器調整工具 | 1 | |
| | | 94050-06080 | 0 | NUT FLANGE 6MM | 螺帽 6MM | 4 | |

F 10 Fuel Tank



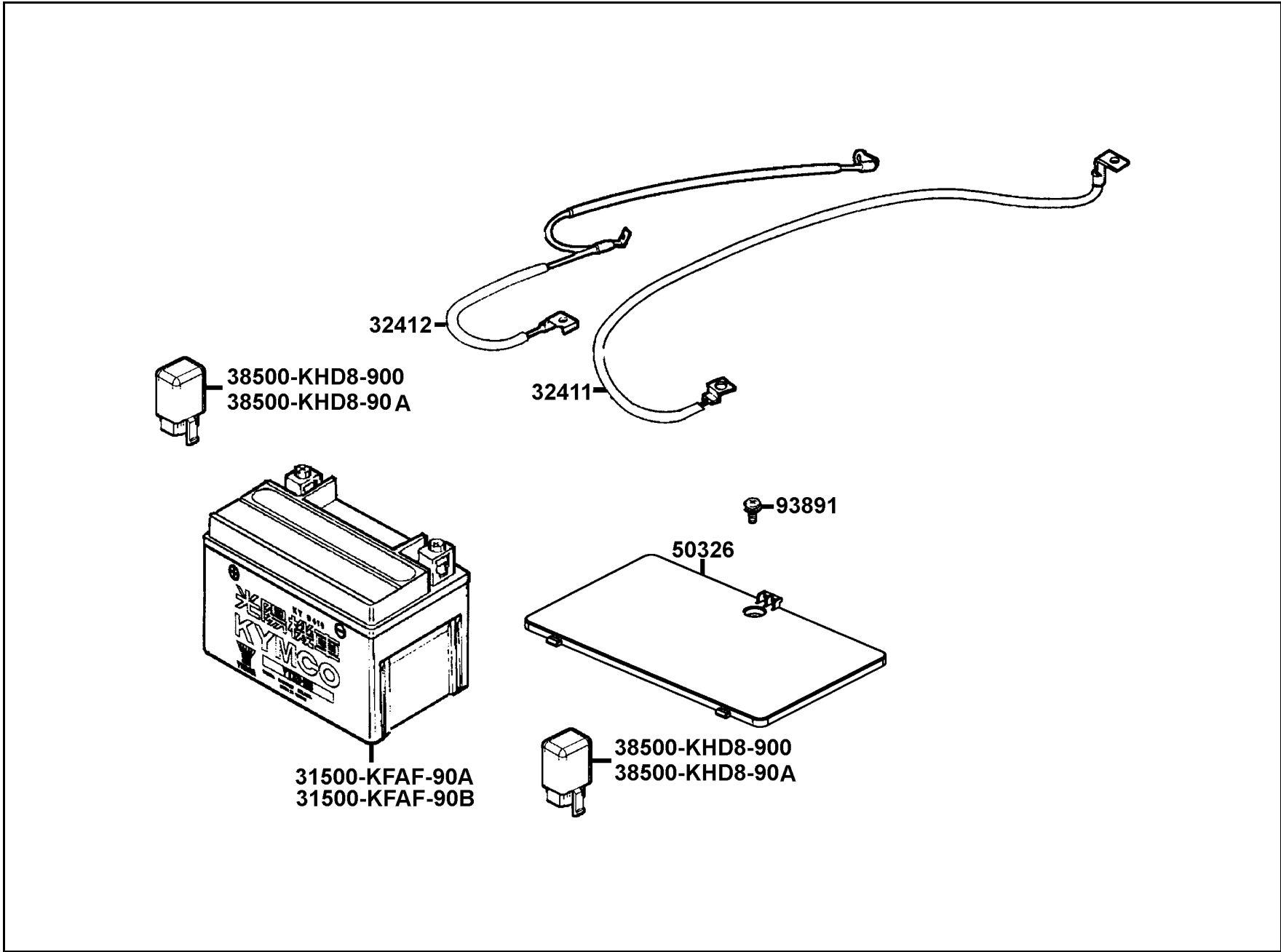
| 販賣記號 Sales mark | 項目 Ref no | 零件號碼 Part no | 版數 Ver | 英文名稱 Description | 中文名稱 Chinese | 需要用量 Regd no | 參考價 Ref Price |
|-----------------------|--------------|-------------------|-----------|---------------------------------|-----------------|-----------------|------------------|
| | | 16700-KHE7-220 | 0 | FUEL PUMP ASSY | 汽油泵浦 | 1 | |
| | | 16911-KEBE-910 | 0 | TUBE ASSY STRAINER TO TANK | 油管組 | 1 | |
| | | 16912-KEBE-910 | 0 | TUBE ASSY STRAINER TO FUEL PUMP | 油管組 | 1 | |
| | | 1691A-KEC2-E00 | 0 | STRAINER COMP FUEL ASSY | 汽油濾清器 | 1 | |
| | | 17500-KHD8-900 | 2 | TANK COMP FUEL | 油箱 | 1 | |
| | | 17502-KHD8-900 | 0 | TUBE FUEL | 油管 | 1 | |
| | | 17510-KHD8-E00 | 1 | PIPE ASSY FUEL FILLER | 油管接頭 | 1 | |
| | | 17620-KEBE-315-M2 | 0 | CAP SET FUEL FILLER | 油箱蓋 | 1 | |
| ** | | 17623-KEBE-900 | 1 | COLLAR FUEL CAP | 固定蓋 | 1 | |
| | | 17682-KEBE-900 | 0 | TUBE ASSY FUEL PUMP TO ACV | 油管組 | 1 | |
| | | 17683-KHD8-900 | 0 | TUBE ASSY FUEL PUMP TO-CARB | 油管組 | 1 | |
| | | 17689-KEBE-900 | 1 | TUBE ASSY TANK-FILLER | 油管 | 1 | |
| | | 19411-KBCB-900 | 0 | CLIP HOSE | 管夾 | 2 | |
| | | 37801-GGA7-701 | 1 | PACKING BASE | 墊圈盤 | 1 | |
| | | 37802-GGA7-701 | 2 | RET FUEL UNIT | 浮筒計承件 | 1 | |
| | | 3780A-KHD8-900 | 1 | FUEL UNIT ASSY | 油量指示器組 | 1 | |
| | | 50117-KHD8-900 | 1 | BRKT FLOOR PANEL | 踏板托架 | 1 | |
| | | 50139-KHE7-900 | 0 | STAY COMP PUMP | 汽油泵蓋支架 | 1 | |
| | | 93903-35220 | 0 | SCREW TAPPING 5*12 | 螺釘 5*12 | 3 | |
| | | 94050-06080 | 0 | NUT FLANGE 6MM | 螺帽 6MM | 4 | |

F 10 Fuel Tank



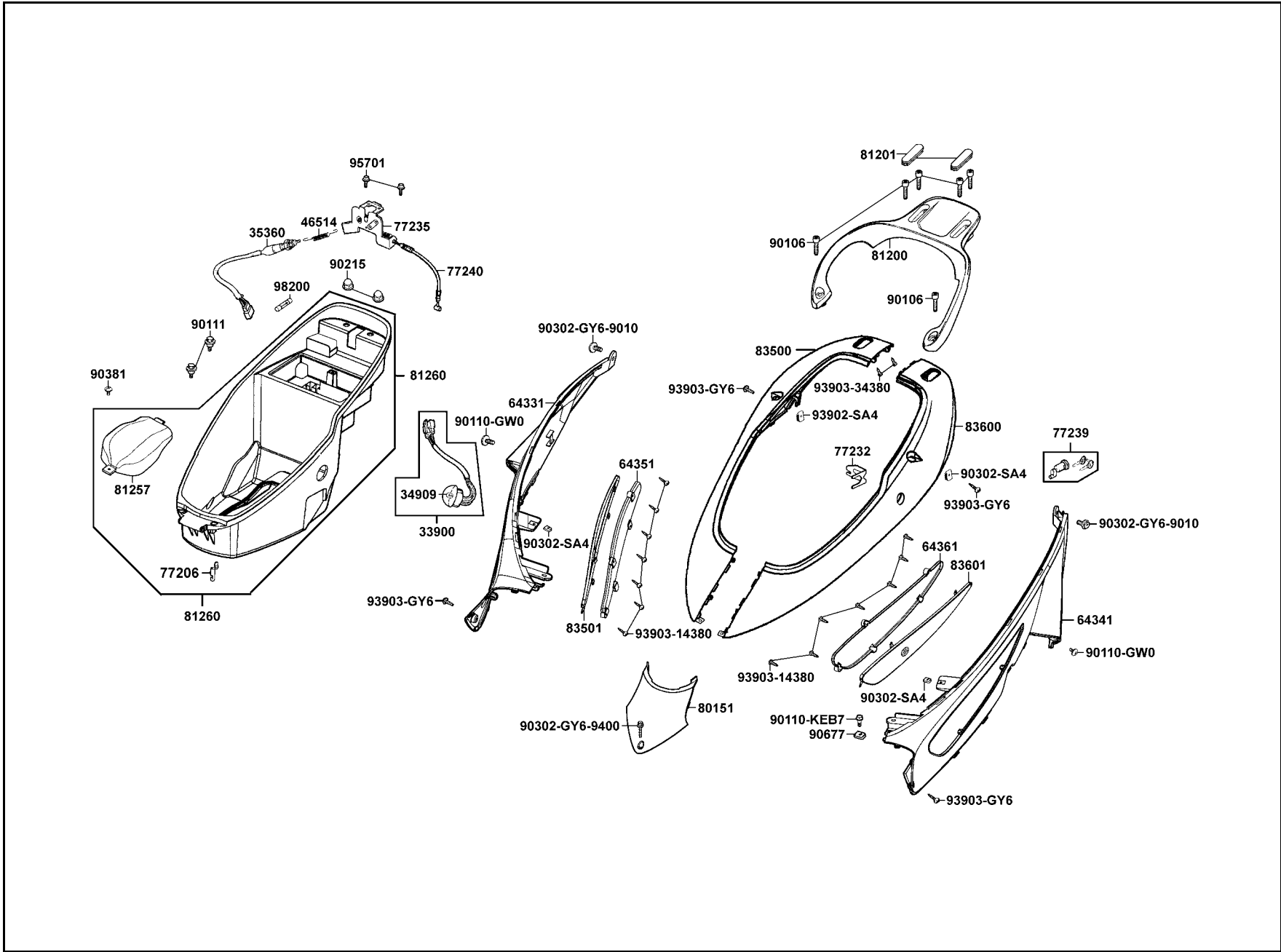
| 販賣記號 Sales mark | 項目 Ref no | 零件號碼 Part no | 版數 Ver | 英 文 名 稱 Description | 中 文 名 稱 Chinese | 需要用量 Regd no | 參考價 Ref Price |
|-----------------------|--------------|-----------------|-----------|------------------------|--------------------|-----------------|------------------|
| | | 95002-02070 | 0 | CLIP B7 TUBE | 管夾 | 1 | |
| | | 95002-02080 | 0 | CLIP B8 TUBE | 管夾 | 3 | |
| | | 95002-02100 | 0 | CLIP B10 TUBE | 管夾 | 4 | |
| | | 95002-02130 | 0 | CLIP B12.5 TUBE | 管夾 | 2 | |
| | | 95701-06012-08 | 0 | BONT FLANGE 6*12 | 螺絲 6*12 | 3 | |
| | | 96001-06014-08 | 0 | BOLT FLANGE 6*14 | 螺絲 6*14 | 2 | |

F 11 Battery



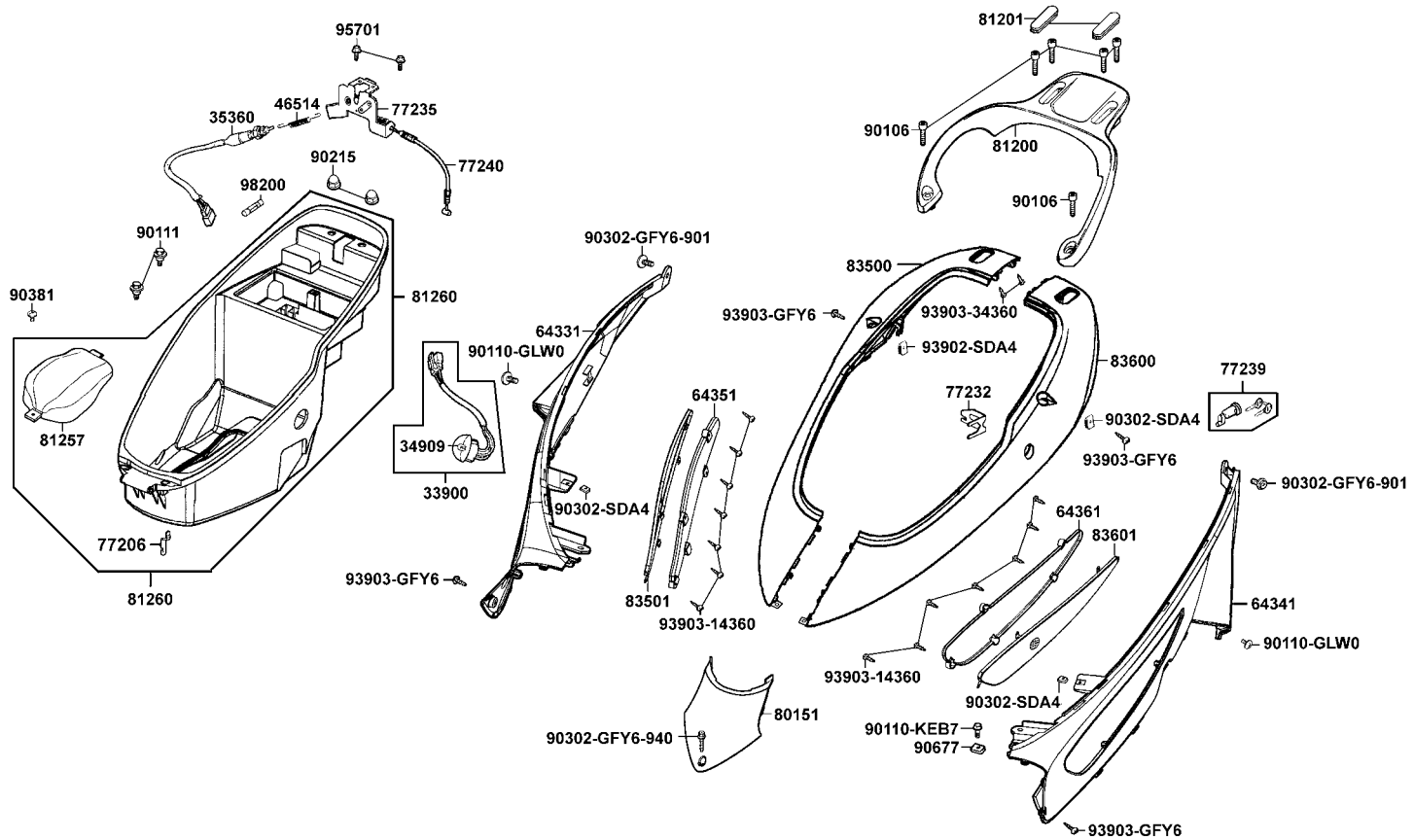
| 販賣記號 Sales mark | 項目 Ref no | 零件號碼 Part no | 版數 Ver | 英 文 名 稱 Description | 中 文 名 稱 Chinese | 需要用量 Regd no | 參考價 Ref Price |
|-----------------------|--------------|-----------------|-----------|------------------------|--------------------|-----------------|------------------|
| | | 31500-KFAF-90A | 4 | BATTERY YTX9-BS | 電瓶 | 1 | |
| | | 31500-KFAF-90B | 6 | BATTERY YTX9-BS | 電瓶 | 1 | |
| | | 32411-KHD8-900 | 0 | CABLE BATTERY | 電瓶導線 | 1 | |
| | | 32412-KHD8-900 | 0 | CABLE EARTH | 電瓶接地線 | 1 | |
| | | 38500-KHD8-900 | 0 | RELAY ASSY | 繼電器 | 2 | |
| | | 38500-KHD8-90A | 0 | RELAY ASSY | 繼電器 | 2 | |
| ** | | 50326-KHD8-900 | 2 | COVER BATTERY | 電瓶蓋 | 1 | |
| | | 93891-05016-06 | 0 | SCREW WASHER 5*16 | 螺絲 5*16 | 1 | |

F 12 Body Cover●Luggage Box



| 販賣記號 Sales mark | 項目 Ref no | 零件號碼 Part no | 版數 Ver | 英文名稱 Description | 中文名稱 Chinese | 需要用量 Regd no | 參考價 Ref Price |
|-----------------------|--------------|-------------------|-----------|---------------------------|-----------------|-----------------|------------------|
| | | 33900-KFBF-900 | 0 | LIGHT ASSY LUGGAGE BOX | 行李箱照明燈 | 1 | |
| | | 34909-KFBF-900 | 0 | BULB WEDGE BASE | 燈泡 | 1 | |
| | | 35360-KFBF-900 | 1 | SW UNIT LUGGAGE BOX LIGHT | 行李箱燈開關 | 1 | |
| | | 46514-KFBF-900 | 0 | SPRING STOP SWITCH | 行李箱燈開關彈簧 | 1 | |
| ** | | 64331-KHD8-900 | 0 | COVER R TUNNEL | 右邊蓋嵌條 | 1 | |
| ** | | 64341-KHD8-900 | 0 | COVER L TUNNEL | 左邊蓋嵌條 | 1 | |
| ** | | 64351-KHD8-900 | 0 | COVER R GRILL | 右邊蓋塞蓋 | 1 | |
| ** | | 64361-KHD8-900 | 0 | COVER L GRILL | 左邊蓋塞蓋 | 1 | |
| | | 77206-KEC6-900 | 0 | KOOK HELMET L | 安全帽左掛鉤 | 1 | |
| | | 77232-KCAC-901 | 2 | SET SPG SEAT LOCK | 座墊鎖彈簧 | 1 | |
| | | 77235-KEBE-900 | 0 | CATCH COMP SEAT | 座墊檔器 | 1 | |
| | | 77239-GFY6-315-M2 | 0 | KEY SEAT SET | 座墊鎖 | 1 | |
| | | 77240-KEBE-900 | 0 | CABLE SEAT LOCK | 座墊鎖導線 | 1 | |
| ** | | 80151-KHD8-900 | 2 | COVER CENTER | 中心蓋 | 1 | |
| ** | | 81200-KHD8-900 | 1 | CARRIER RR | 後架 | 1 | |
| | | 81201-KHD8-900 | 1 | PLUG RR CARRIER | 後架塞蓋 | 2 | |
| | | 81257-KHD8-900 | 0 | COVER ASSY CARB | 汽化器保養蓋 | 1 | |
| | | 81260-KHD8-M30 | 2 | BOX ASSY LUGGAGE | 行李箱組 | 1 | |
| ** | | 83500-KHD8-900 | 3 | COVER R BODY | 車體右邊蓋 | 1 | |
| ** | | 83501-KHD8-900 | 4 | GRILL R BODY COVER | 車體右邊蓋通氣架 | 1 | |

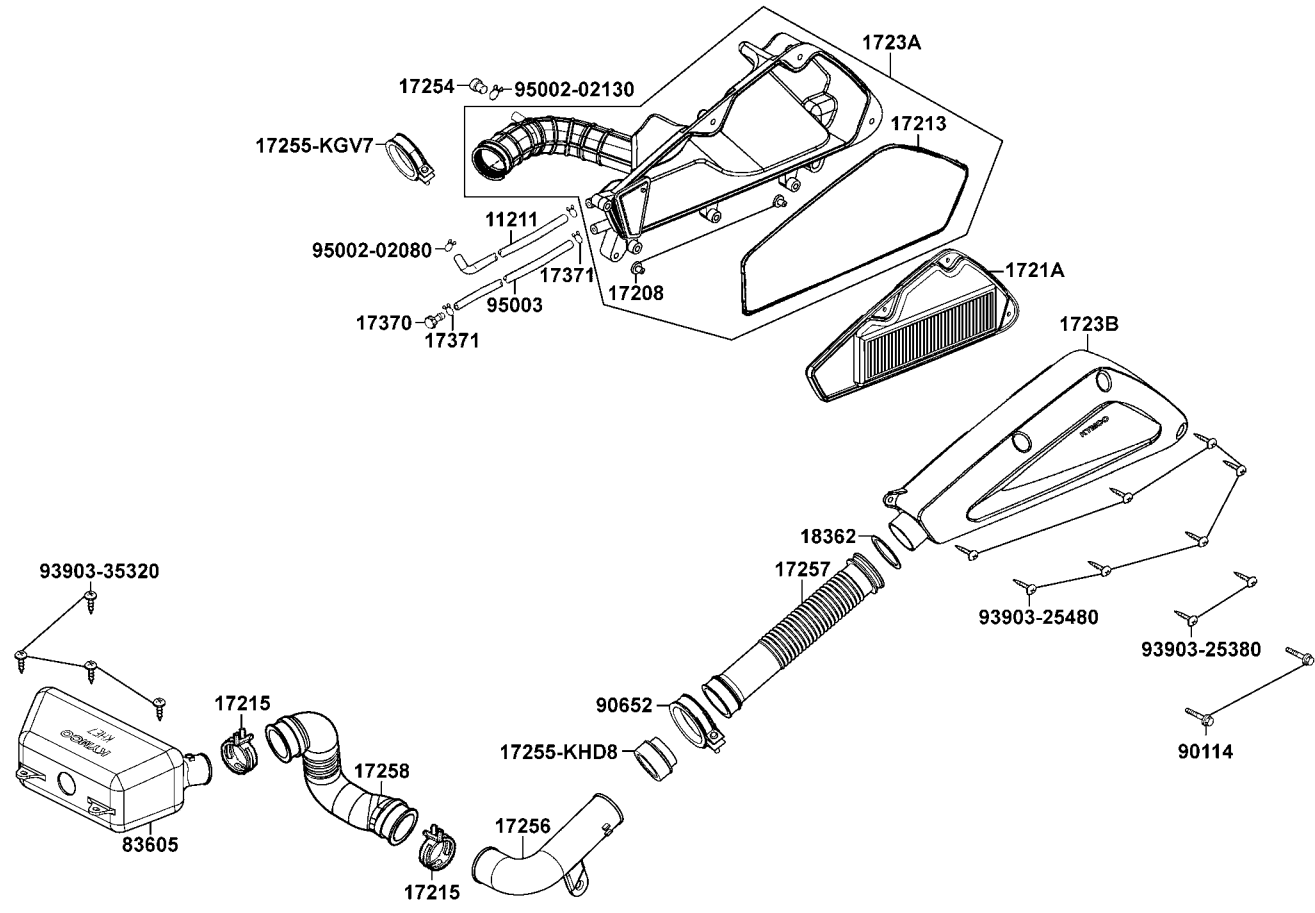
F 12 Body Cover●Luggage Box



| 販賣記號 Sales mark | 項目 Ref no | 零件號碼 Part no | 版數 Ver | 英文名稱 Description | 中文名稱 Chinese | 需要用量 Regd no | 參考價 Ref Price |
|-----------------------|--------------|-----------------|-----------|---------------------|-----------------|-----------------|------------------|
| ** | | 83600-KHD8-900 | 3 | COVER L BODY | 車體左邊蓋 | 1 | |
| ** | | 83601-KHD8-900 | 4 | GRILL L BODY COVER | 車體左邊蓋通氣架 | 1 | |
| | | 90106-KFC2-900 | 0 | BOLT WASHER 8MM | 螺絲 8MM | 6 | |
| | | 90110-GLW0-001 | 0 | SCREW SPECIAL 6*14 | 特殊螺絲 6*14 | 2 | |
| | | 90110-KEB7-900 | 1 | SCREW SPECIAL 6*14 | 特殊螺絲 6*14 | 1 | |
| | | 90111-1G47-001 | 0 | BOLT FLANGE 6*17 | 螺絲 6*17 | 2 | |
| | | 90215-KKC4-900 | 0 | NUT CAP 6MM | 螺帽 6MM | 2 | |
| | | 90302-GFY6-901 | 1 | BOLT WASHER 5*12 | 螺絲 5*12 | 2 | |
| | | 90302-GFY6-940 | 1 | BOLT WASHER 5*16 | 螺絲 5*16 | 1 | |
| | | 90302-SDA4-004 | 1 | NUT SPRING 4MM | 夾螺帽 4MM | 4 | |
| | | 90381-GEZ5-001 | 1 | SCREW SPECIAL 6MM | 螺絲 6MM | 1 | |
| | | 90677-GAR1-004 | 1 | NUT CLIP 5MM | 夾螺帽 5MM | 1 | |
| | | 93903-14360 | 0 | SCREW TAPP 4*12 | 螺釘 4*12 | 14 | |
| | | 93903-34360 | 0 | SCREW TAPPING 4*12 | 螺釘 4*12 | 2 | |
| | | 93903-GFY6-900 | 1 | SCREW TAPPING 4*14 | 螺釘 4*14 | 4 | |
| | | 95701-06012-08 | 0 | BOLT FLANGE 6*12 | 螺絲 6*12 | 2 | |
| | | 98200-12000 | 0 | BLADE FUSE 20A | 保險絲/圓筒形 20A | 1 | |

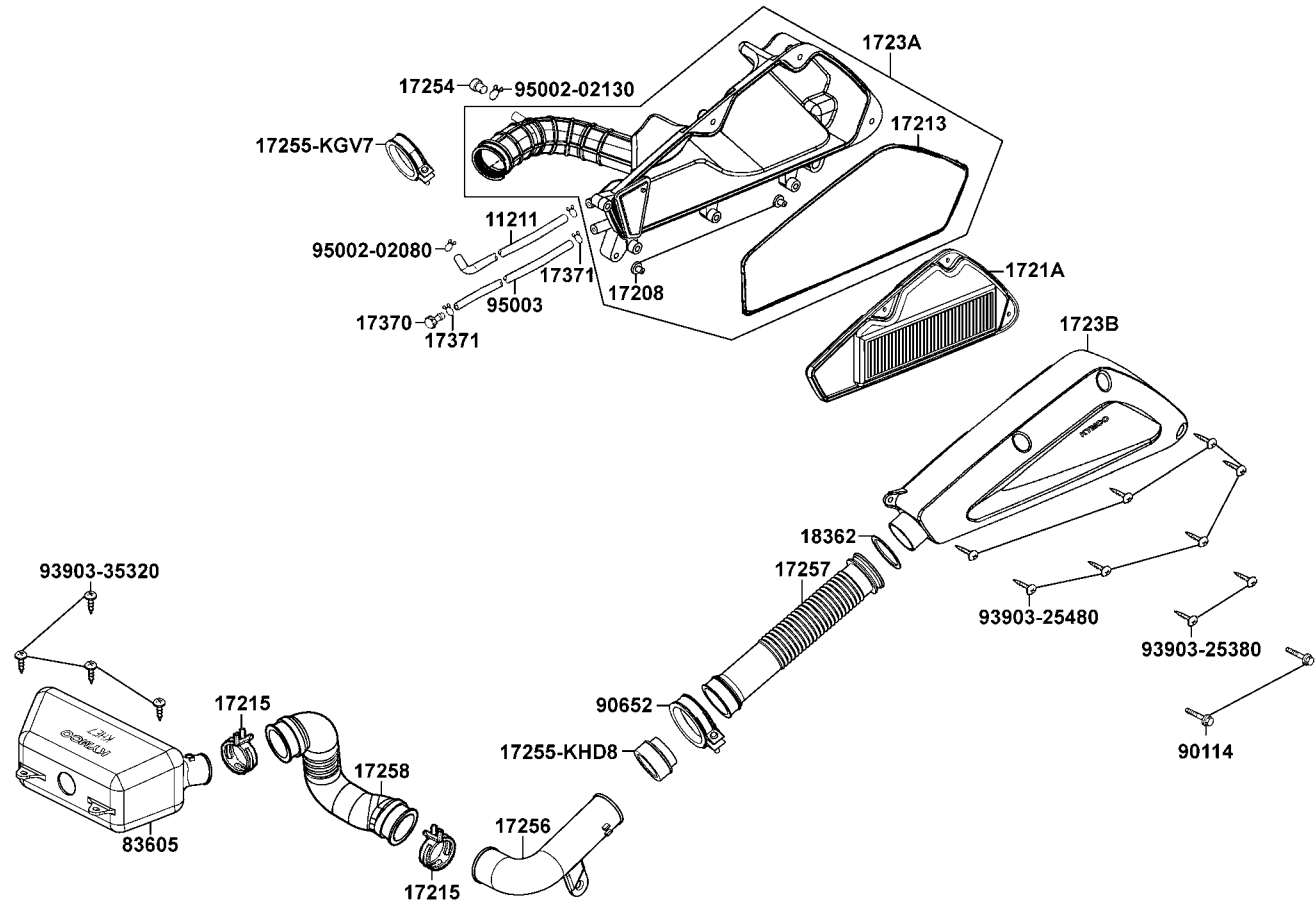
F 12

F 13 Air Cleaner



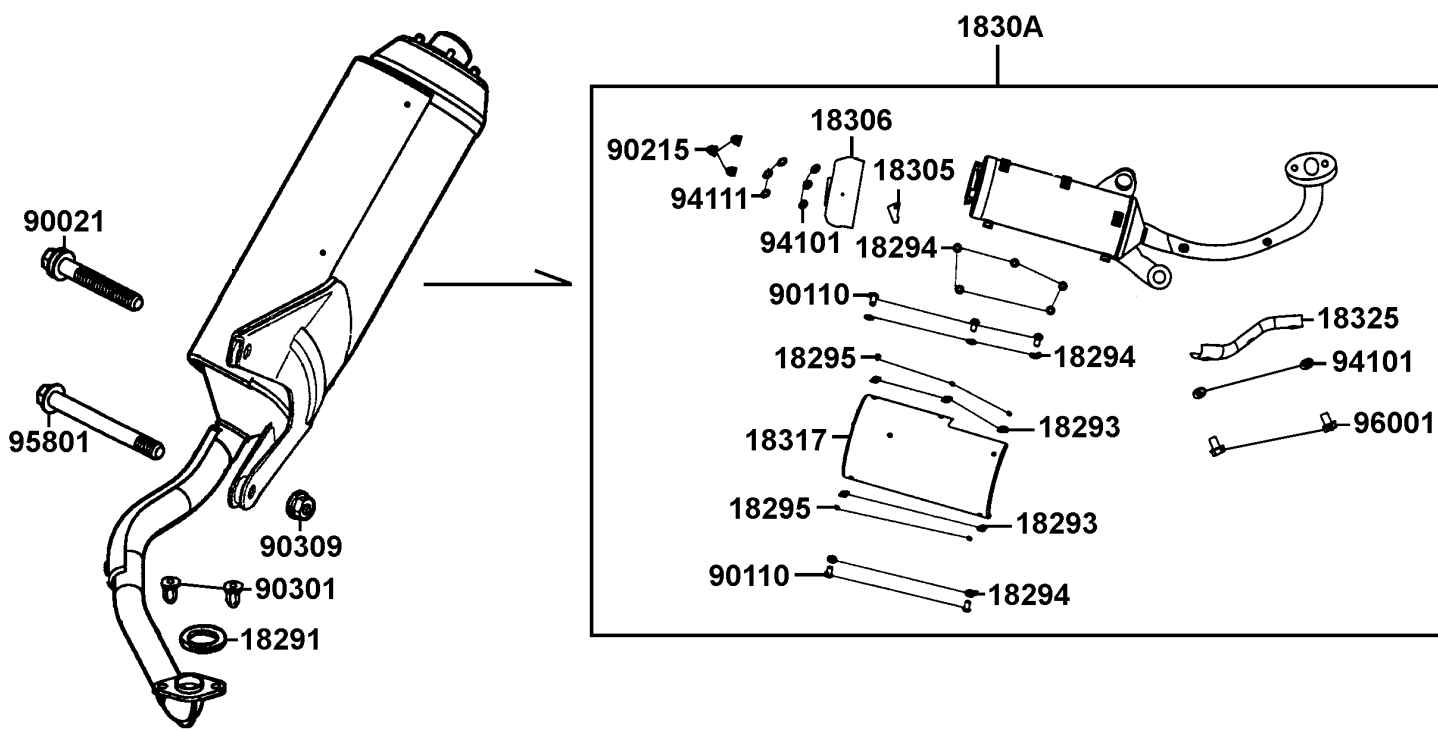
| 販賣記號 Sales mark | 項目 Ref no | 零件號碼 Part no | 版數 Ver | 英 文 名 稱 Description | 中 文 名 稱 Chinese | 需要用量 Regd no | 參考價 Ref Price |
|-----------------------|--------------|-----------------|-----------|------------------------|--------------------|-----------------|------------------|
| | | 11211-KHD8-900 | 0 | TUBE BREATHER | 通氣管 | 1 | |
| | | 17208-GAR1-011 | 0 | COLLAR AIR/C SET | 套筒 | 2 | |
| | | 17213-KHD8-900 | 0 | SEAL ELEMENT COMP | 防塵封 | 1 | |
| | | 17215-KGBG-90A | 2 | CLIP ASSY AIR/C DUCT | 固定管夾 | 2 | |
| | | 1721A-KHD8-900 | 0 | ELEMENT ASSY AIR/C | 空氣濾清海綿組 | 1 | |
| | | 1723A-KHD8-900 | 0 | CASE ASSY AIR/C | 空氣濾清器箱組 | 1 | |
| | | 1723B-KHD8-900 | 0 | COVER ASSY AIR/C | 空氣濾清器蓋組 | 1 | |
| | | 17254-KACA-P00 | 0 | PLUG AIR/C CONN TUBE | 管塞 | 1 | |
| | | 17255-KHD8-900 | 0 | PLUG AIR/C DUCT | 導管塞蓋 | 1 | |
| | | 17255-KGV7-671 | 0 | BAND AIR/C CONN | 連接管夾 | 1 | |
| | | 17256-KHE7-900 | 0 | JOINT AIR/C DUCT | 空氣連接導管 | 1 | |
| | | 17257-KHD8-900 | 0 | DUCT AIR/C COVER | 空氣濾清蓋導管 | 1 | |
| | | 17258-KHD8-900 | 0 | DUCT AIR/C CHAMBER | 空氣濾清室導管 | 1 | |
| | | 17370-4K19-701 | 0 | PLUG BREATHER TUBE | 管塞 | 1 | |
| | | 17371-1D74-671 | 0 | CLIP BREATHER TUBE | 通氣管夾 | 2 | |
| | | 18362-KHD8-900 | 0 | BAND SILENCR SEAL | 束帶 | 1 | |
| | | 83605-KHD8-900 | 0 | CHAMBER AIR/C | 空氣濾清室 | 1 | |
| | | 90114-GDM4-011 | 1 | BOLT FLANGE SH 6*28 | 螺絲 6*28 | 2 | |
| | | 90652-GFY6-901 | 1 | BAND 49 AIR/C | 管夾 | 1 | |
| | | 93903-25380 | 0 | SCREW TAPPING 5*16 | 螺釘 5*16 | 2 | |

F 13 Air Cleaner



| 販賣記號 Sales mark | 項目 Ref no | 零件號碼 Part no | 版數 Ver | 英 文 名 稱 Description | 中 文 名 稱 Chinese | 需要用量 Regd no | 參考價 Ref Price |
|-----------------------|--------------|-----------------|-----------|------------------------|--------------------|-----------------|------------------|
| | | 93903-25480 | 0 | SCREW TAPPING 5*20 | 螺釘 5*20 | 7 | |
| | | 93903-35320 | 0 | SCREW TAPPING 5*16 | 螺釘 5*16 | 4 | |
| | | 95002-02080 | 0 | CLIP B8 TUBE | 管夾 | 1 | |
| | | 95002-02130 | 0 | CLIP B 12.5 TURE | 管夾 | 1 | |
| | | 95003-23024-60 | 0 | V TUBE 8*12*240 | 通氣管 8*12*240 | 1 | |

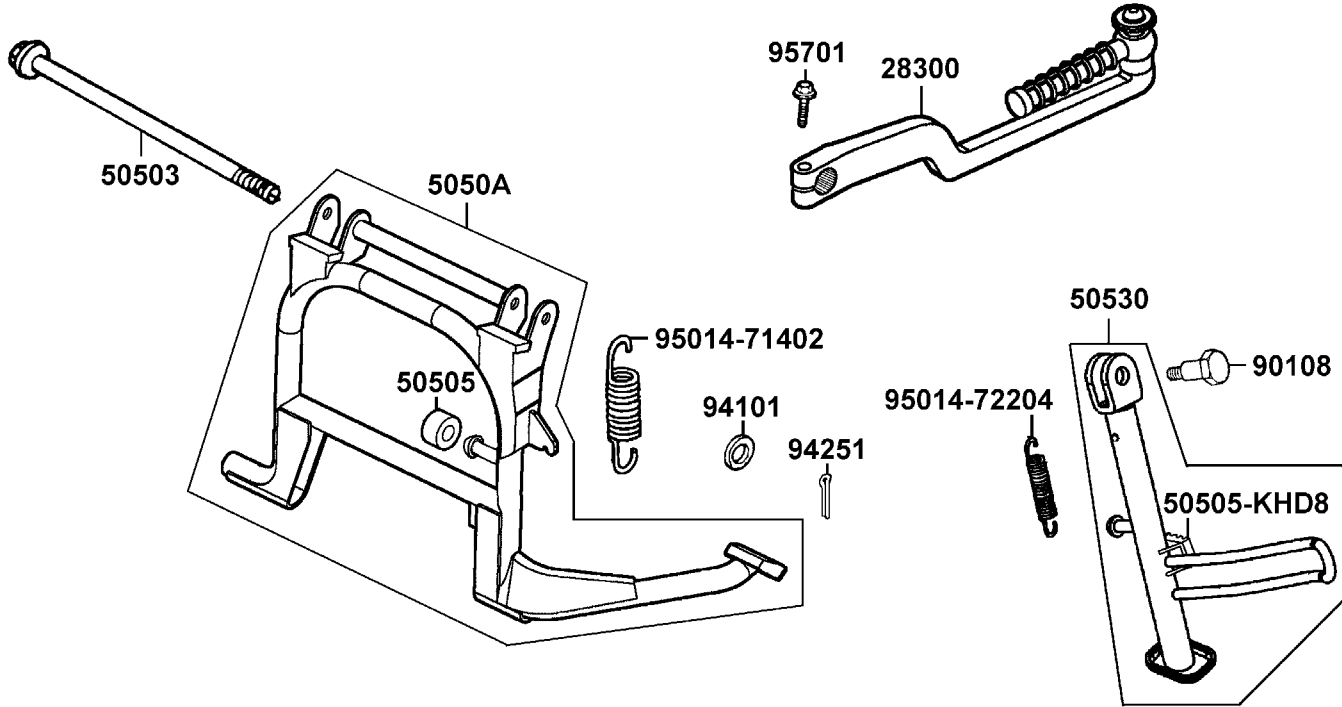
F 14 Exhaust Muffler



| 販賣記號 Sales mark | 項目 Ref no | 零件號碼 Part no | 版數 Ver | 英文名稱 Description | 中文名稱 Chinese | 需要用量 Regd no | 參考價 Ref Price |
|-----------------------|--------------|-----------------|-----------|---------------------|-----------------|-----------------|------------------|
| | | 18291-GGA7-001 | 0 | GASKET EXH PIPE | 排氣管墊圈 | 1 | |
| | | 18293-KECE-900 | 0 | RUBBER A PROTR | 橡皮 | 5 | |
| | | 18294-KEBE-900 | 0 | PACKING PROTECTOR | 墊片 | 10 | |
| | | 18295-KECE-900 | 0 | COLLAR M6 | 套筒 | 5 | |
| | | 18305-KHD8-900 | 0 | PROTECTOR TAIL PIPE | 排氣管後護蓋座 | 1 | |
| | | 18306-KHD8-900 | 1 | TAIL CAP MUFFLER | 排氣管後護蓋 | 1 | |
| | | 1830A-KHD8-M00 | 1 | MUFFLER ASSY | 排氣管組 | 1 | |
| | | 18317-KHD8-M00 | 0 | PROTECTOR MUFFLER | 排氣管護板 | 1 | |
| | | 18325-KHD8-E00 | 0 | PROTECTOR EXH PIPE | 排氣管護板 | 1 | |
| | | 90021-GFY6-900 | 1 | BOLT WASHER COMP | 螺絲 | 1 | |
| | | 90110-KHD8-900 | 0 | SCREW SPECIAL 6*20 | 螺絲 6*20 | 5 | |
| | | 90215-GLM0-910 | 0 | NUT CAP 6MM | 螺帽 6MM | 3 | |
| | | 90301-GFY6-901 | 1 | NUT (HEX) CAP 8MM | 圓螺帽 8MM | 2 | |
| | | 90309-GLW0-90A | 0 | NUT U FLANGE 8MM | 螺帽 8MM | 1 | |
| | | 94101-06200 | 0 | WASHER PLAIN | 華司 | 3 | |
| | | 94101-06700 | 0 | WASHER PLAIN 6MM | 華司 6MM | 2 | |
| | | 94111-06800 | 0 | WASHER SPG | 彈簧華司 | 3 | |
| | | 95801-08105-06 | 0 | BOLT FLANGE 8*105 | 螺絲 8*105 | 1 | |
| | | 96001-06008-07 | 0 | BOLT FLANGE SH 6*8 | 螺絲 6*8 | 2 | |

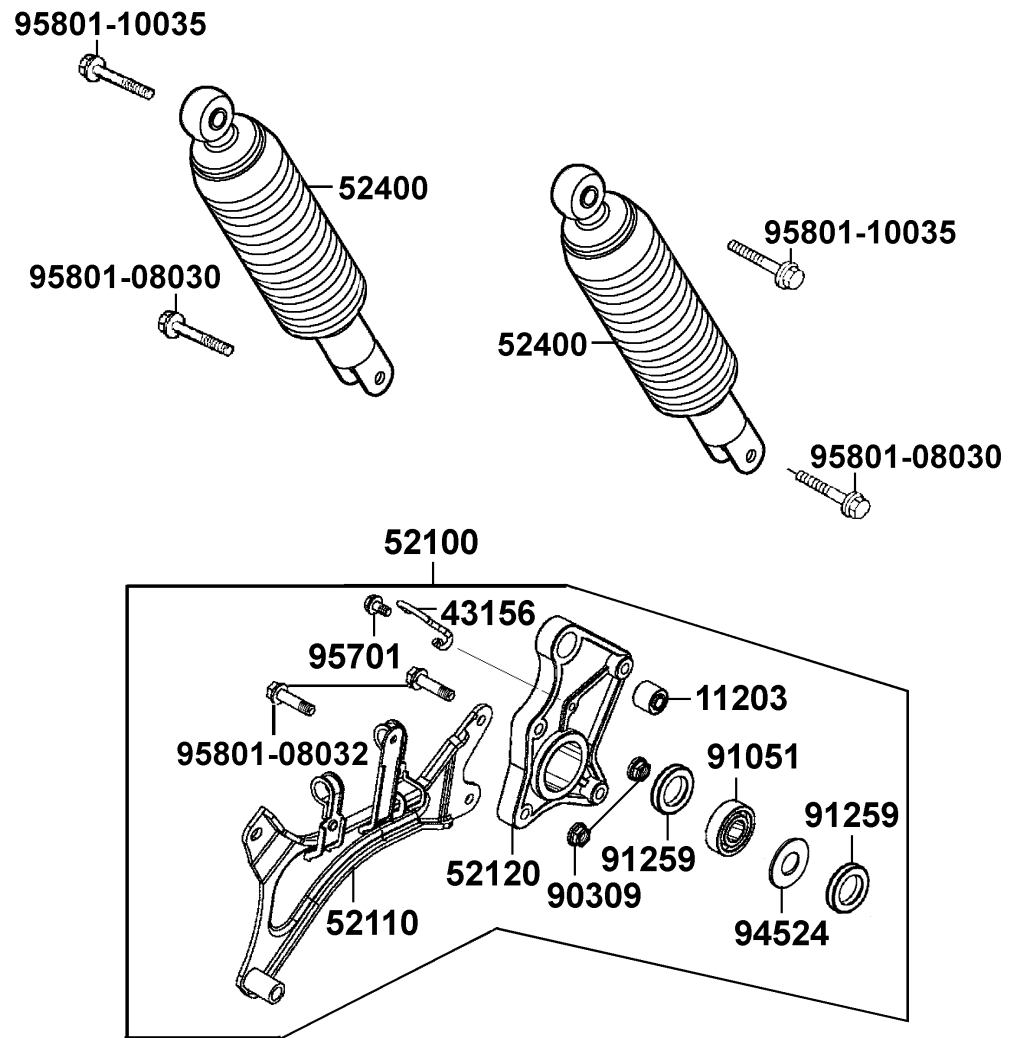
F 15

Stand●Kick Starter Arm



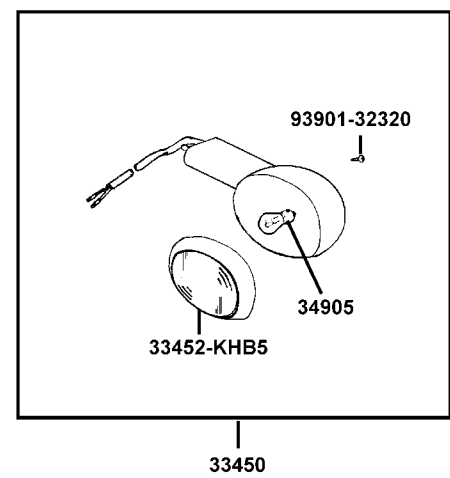
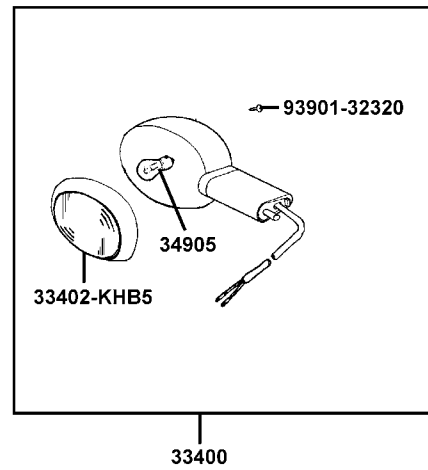
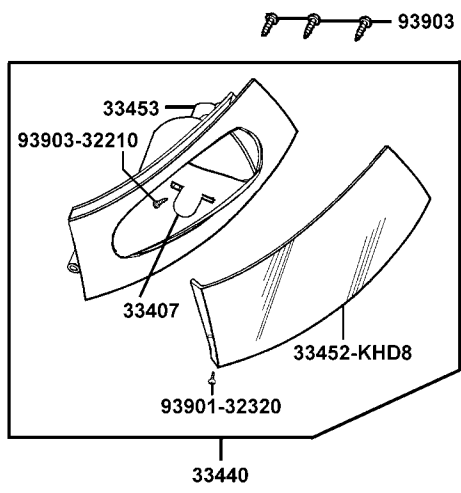
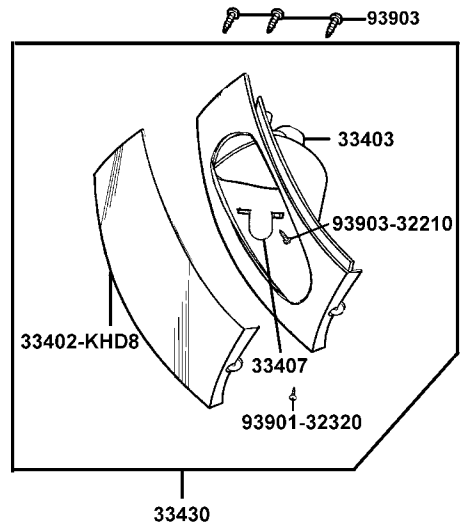
| 販賣記號 Sales mark | 項目 Ref no | 零件號碼 Part no | 版數 Ver | 英文名稱 Description | 中文名稱 Chinese | 需要用量 Regd no | 參考價 Ref Price |
|-----------------------|--------------|-----------------|-----------|------------------------|-----------------|-----------------|------------------|
| | | 28300-KHD8-900 | 1 | ARM ASSY KICK STARTER | 起動踏桿組 | 1 | |
| | | 50503-KHD8-900 | 0 | SHAFT MAIN STAND | 主腳架軸 | 1 | |
| | | 50505-KKD7-900 | 1 | STOPPER RUBBER | 主腳架橡皮 | 1 | |
| | | 50505-KHD8-900 | 0 | RUBBER SIDE STAND | 主腳架橡皮 | 1 | |
| | | 5050A-KHD8-900 | 2 | STAND ASSY MAIN | 主腳架組 | 1 | |
| | | 50530-KHD8-E00 | 3 | BAR SIDE STAND | 側腳架 | 1 | |
| | | 90108-KFC8-E10 | 0 | SCREW SIDE STAND PIVOT | 側腳架螺絲 | 1 | |
| | | 94101-08600 | 0 | WASHER PLAIN 8MM | 華司 8MM | 1 | |
| | | 94251-08400 | 0 | PIN LOCK 8MM | 開口銷 8MM | 1 | |
| | | 95701-06022-06 | 1 | BOLT FLANGE 6*22 | 螺絲 6*22 | 1 | |
| | | 95014-71402 | 0 | SPRING D MAIN STAND | 主腳架彈簧 | 1 | |
| | | 95014-72204 | 0 | SPRING BI SIDE STAND | 側腳架彈簧 | 1 | |

F 16 Rear Cushion



| 販賣記號 Sales mark | 項目 Ref no | 零件號碼 Part no | 版數 Ver | 英文名稱 Description | 中文名稱 Chinese | 需要用量 Regd no | 參考價 Ref Price |
|-----------------------|--------------|-----------------|-----------|------------------------------|-----------------|-----------------|------------------|
| | | 11203-GGC7-301 | 2 | UNDER RUBBER BUSH RR CUSHION | 後緩衝下襯套 | 1 | |
| | | 43156-KFC8-900 | 0 | CLAMPER HOSE RR | 後煞車油管夾 | 1 | |
| | | 52100-KHD8-900 | 0 | FORK ASSY RR | 後叉組 | 1 | |
| | | 52110-KHD8-900 | 0 | STOP ARM RR FORK | 後叉制動器臂 | 1 | |
| | | 52120-KFC8-900 | 1 | BRACKET CAST RR FORK | 後叉托架 | 1 | |
| | | 52400-KHD8-E00 | 0 | CUSHION ASSY RR | 後緩衝器組 | 2 | |
| | | 90309-KLF0-004 | 0 | NUT U FLANGE 8MM | 螺帽 8MM | 2 | |
| | | 91051-KFBF-901 | 1 | BRG BALL RAKIAL 6203ZZ | 軸承 6203 | 1 | |
| | | 91259-KFBF-900 | 0 | SEAL OIL | 油封 | 2 | |
| | | 94524-42000 | 0 | CIR CLIP IN 42 | 環夾 | 1 | |
| | | 95701-06010-00 | 0 | BOLT FLANGE 6*10 | 螺絲 6*10 | 1 | |
| | | 95801-08030-08 | 0 | BOLT FLANGE 8*30 | 螺絲 8*30 | 2 | |
| | | 95801-08032-06 | 1 | BOLT FLANGE 8*32 | 螺絲 8*32 | 2 | |
| | | 95801-10035-08 | 0 | BOLT FLANGE 10*35 | 螺絲 10*35 | 2 | |

F 17 Front Winker

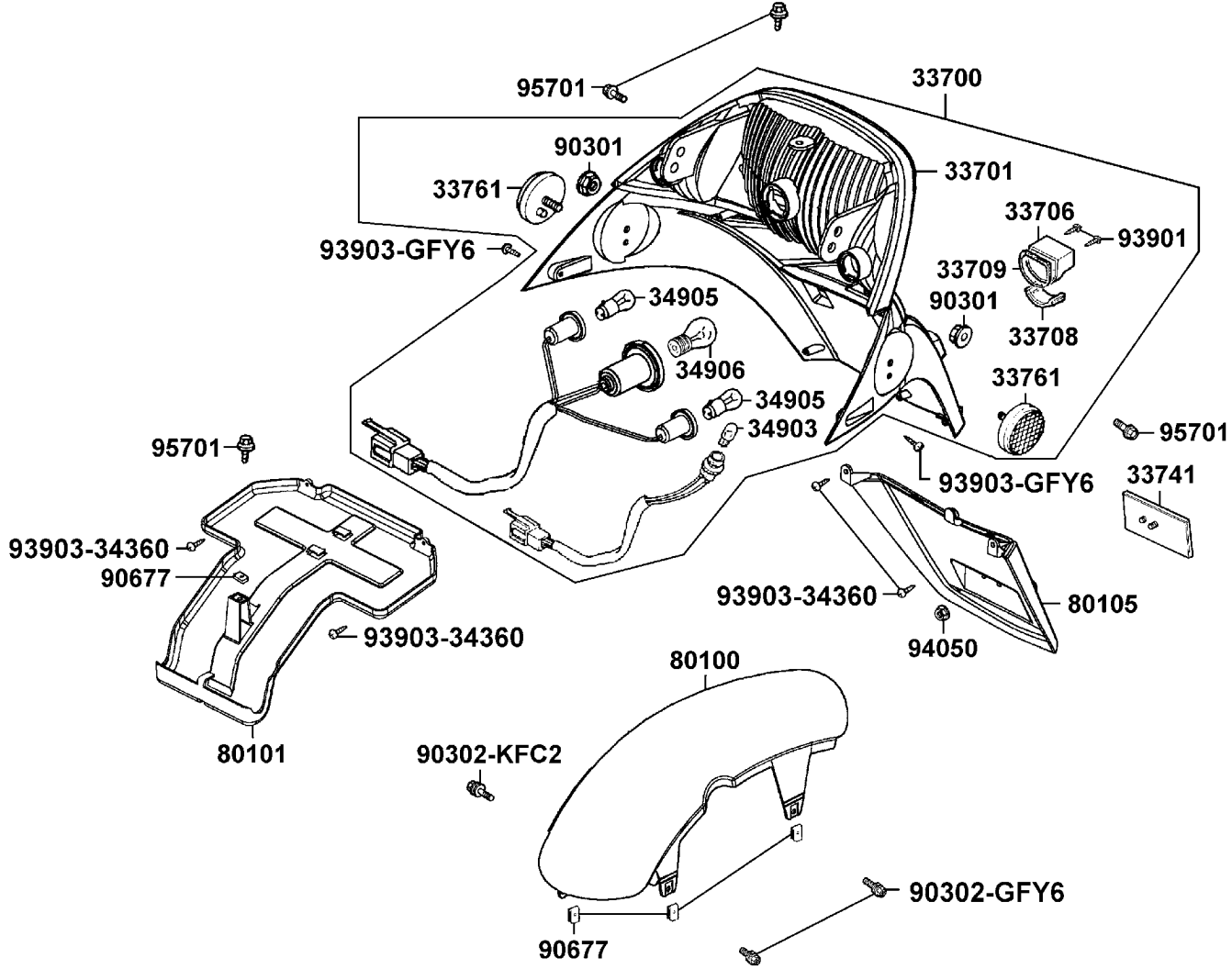


| 販賣記號 Sales mark | 項目 Ref no | 零件號碼 Part no | 版數 Ver | 英文名稱 Description | 中文名稱 Chinese | 需要用量 Regd no | 參考價 Ref Price |
|-----------------------|--------------|-----------------|-----------|---------------------|-----------------|-----------------|------------------|
| | | 33400-KHB5-M00 | 1 | WINKER ASSY R FR | 右前方向燈組 | 1 | |
| | | 33402-KHB5-M00 | 0 | LENS FR WINKER R | 右前方向燈殼 | 1 | |
| | | 33402-KHD8-900 | 0 | LENS R FR WINKER | 右前方向燈殼 | 1 | |
| | | 33403-KHD8-M00 | 0 | BASE R FR WINKER | 右前方向燈座 | 1 | |
| | | 33407-KHD8-900 | 0 | PACKING | 襯墊 | 2 | |
| | | 33430-KHD8-M00 | 2 | WINKER ASSY R FR | 右前方向燈組 | 1 | |
| | | 33440-KHD8-M00 | 0 | WINKER ASSY L FR | 左前方向燈組 | 1 | |
| | | 33450-KHB5-M00 | 1 | WINKER ASSY L FR | 左前方向燈組 | 1 | |
| | | 33452-KHD8-900 | 0 | LENS FR WINKER L | 左前方向燈殼 | 1 | |
| | | 33452-KHB5-M00 | 0 | LENS FR WINKER L | 左前方向燈殼 | 1 | |
| | | 33453-KHD8-M00 | 0 | BASE L FR WINKER | 左前方向燈座 | 1 | |
| | | 34905-KHB5-900 | 0 | BULB WINKER | 方向燈泡 | 2 | |
| | | 93901-32320 | 0 | SCREW TAPPING 3*12 | 螺釘 3*12 | 4 | |
| | | 93903-34360 | 0 | SCREW TAPPING 4*12 | 螺釘 4*12 | 6 | |
| | | 93903-32210 | 0 | SCREW TAPPING 3*10 | 螺釘 3*10 | 2 | |

F 17

F 18

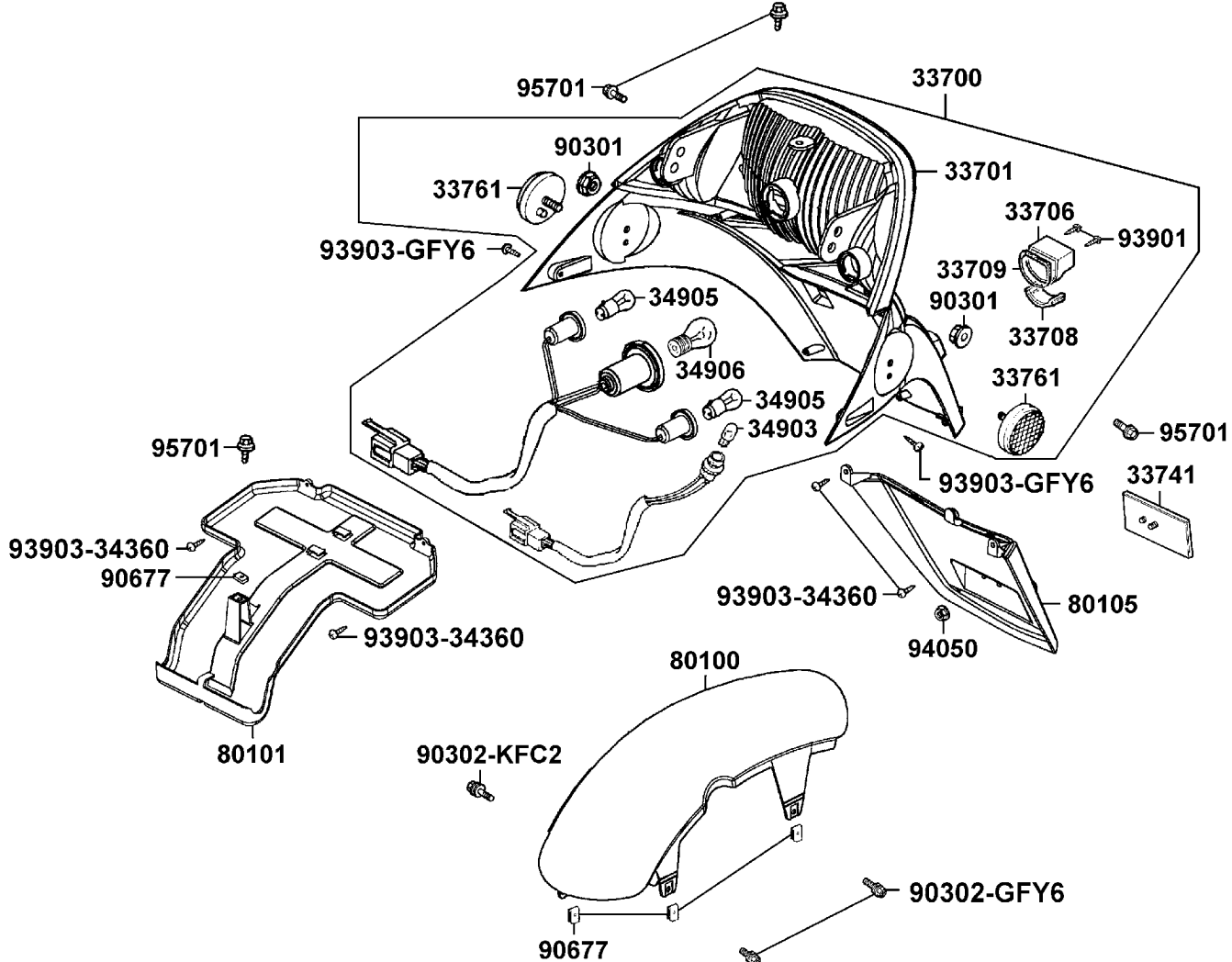
Rear Light Rear Fender



| 販賣記號 Sales mark | 項目 Ref no | 零件號碼 Part no | 版數 Ver | 英文名稱 Description | 中文名稱 Chinese | 需要用量 Regd no | 參考價 Ref Price |
|-----------------------|--------------|-----------------|-----------|---------------------|-----------------|-----------------|------------------|
| | | 33700-KHD8-M00 | 0 | LIGHT ASSY RR COMB | 後燈組 | 1 | |
| | | 33701-KHD8-E00 | 0 | LENS TAIL LIGHT | 後燈殼 | 1 | |
| | | 33706-GCN3-67A | 0 | COVER LICENSE | 後牌照燈蓋 | 1 | |
| | | 33708-KHD8-M00 | 0 | LENS LICENSE | 牌照燈殼 | 1 | |
| | | 33709-KBAB-003 | 0 | PACKING LICENSE | 後牌照燈蓋墊圈 | 1 | |
| | | 33741-KHC5-M00 | 0 | REFLEX REFLECTOR | 反光鏡片 | 1 | |
| | | 33761-KHC5-M00 | 1 | REFLEX REFLECTOR | 反光鏡片 | 2 | |
| | | 34903-KPCP-900 | 0 | BULB WEDGE BASE | 位置燈燈泡 | 1 | |
| | | 34905-KPCP-900 | 0 | BULB WINKER | 方向燈泡 | 2 | |
| | | 34906-KPCP-900 | 0 | BULB TAIL & STOP | 後燈泡 | 1 | |
| | | 80100-KHD8-900 | 0 | FENDER RR TIRE | 後輪土除 | 1 | |
| | | 80101-KHD8-900 | 1 | FENDER RR UP | 後上土除 | 1 | |
| | | 80105-KHD8-900 | 0 | FENDER RR | 後土除 | 1 | |
| | | 90301-6D34-670 | 1 | NUT FLANGE 6MM | 螺帽 6MM | 2 | |
| | | 90302-GFY6-940 | 1 | BOLT WASHER 5*16 | 螺絲 5*16 | 2 | |
| | | 90302-KFC2-900 | 1 | BOLT WASHER 5*25 | 螺絲 5*25 | 1 | |
| | | 90677-GAR1-004 | 1 | NUT CLIP 5MM | 彈簧螺帽 5MM | 4 | |
| | | 93901-32220 | 0 | SCREW TAPPING 3*10 | 螺釘 3*10 | 2 | |
| | | 93903-34360 | 0 | SCREW TAPPING 4*12 | 螺釘 4*12 | 4 | |
| | | 93903-GFY6-900 | 1 | SCREW TAPPING 4*14 | 螺釘 4*14 | 2 | |

F 18

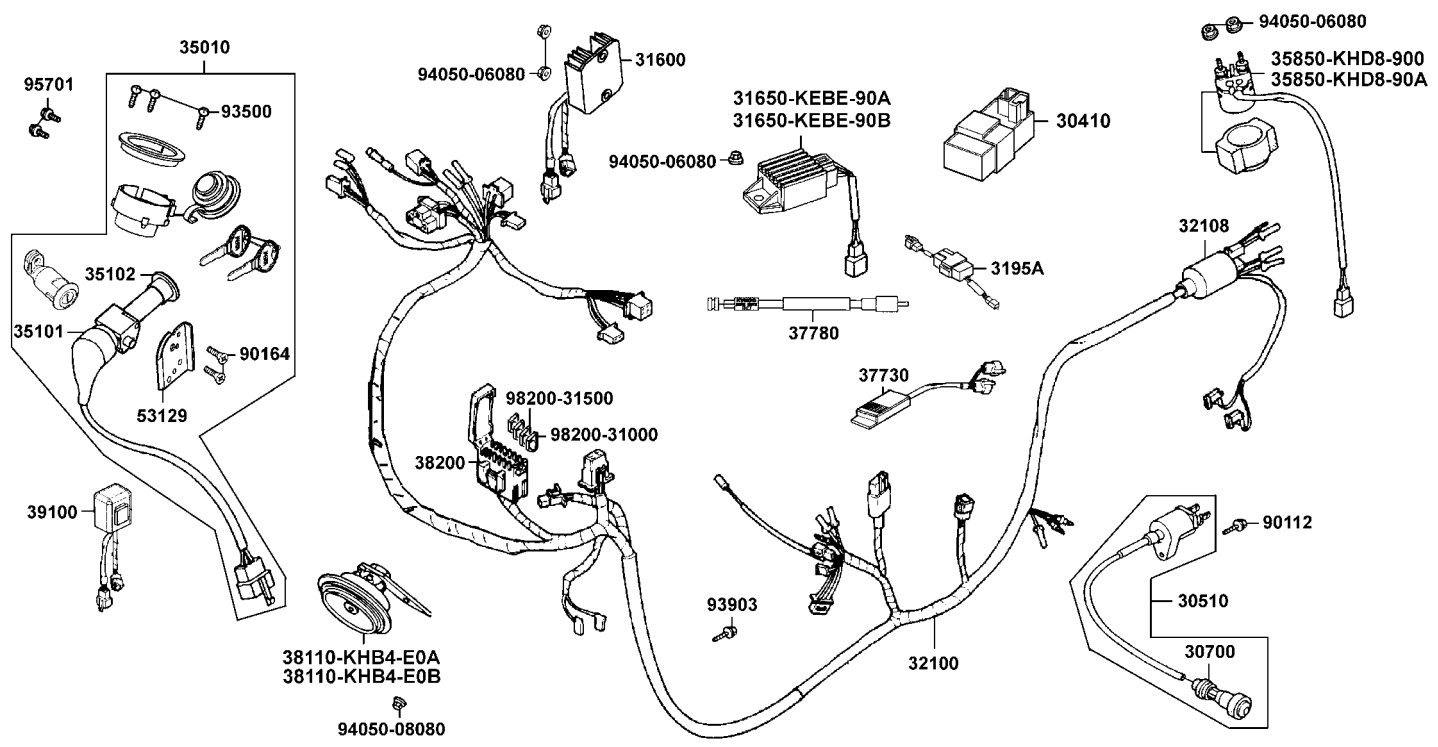
Rear Light Rear Fender



| 販賣記號 Sales mark | 項目 Ref no | 零件號碼 Part no | 版數 Ver | 英 文 名 稱 Description | 中 文 名 稱 Chinese | 需要用量 Regd no | 參考價 Ref Price |
|-----------------------|--------------|-----------------|-----------|------------------------|--------------------|-----------------|------------------|
| | | 94050-05080 | 0 | NUT FLANGE 5MM | 螺帽 5MM | 1 | |
| | | 95701-06012-08 | 0 | BOLT FLANGE 6*12 | 螺絲 6*12 | 4 | |

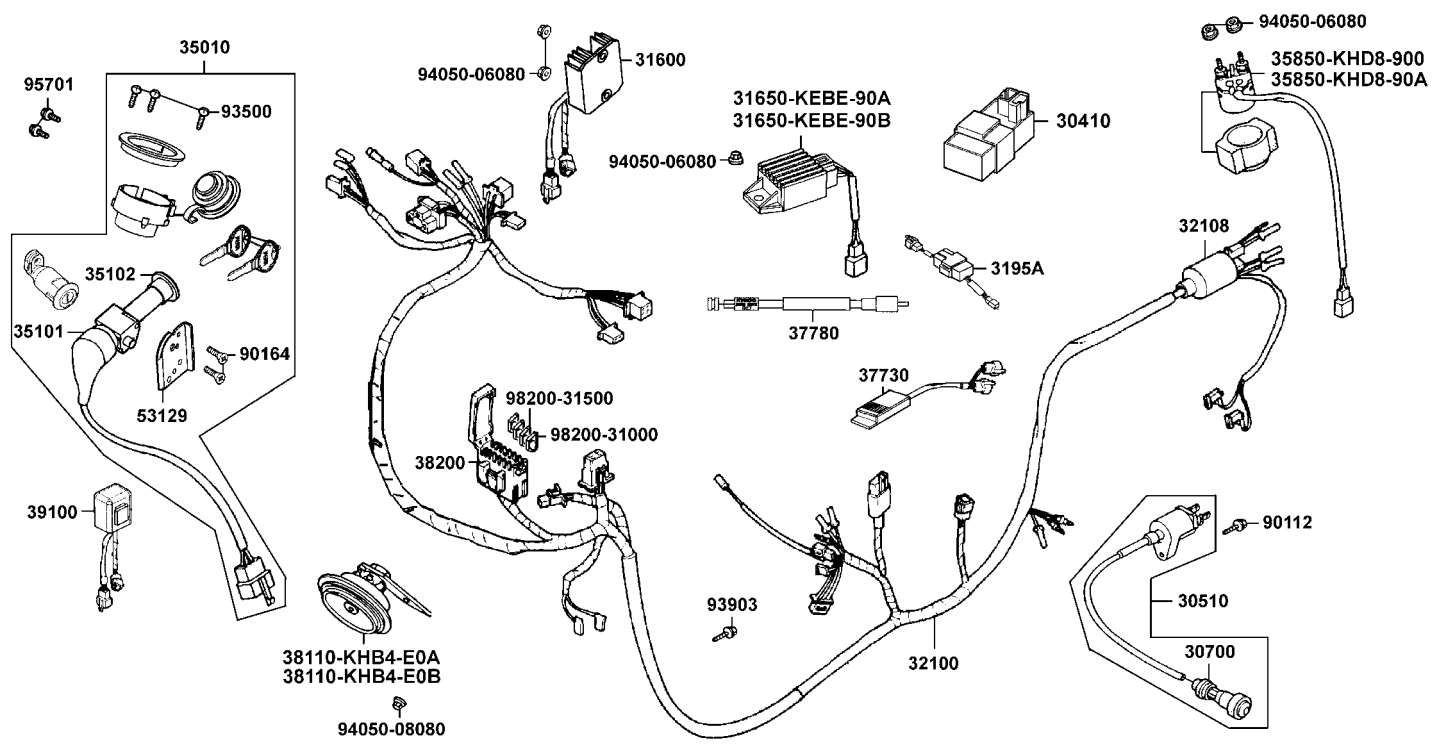
F 18

F 19 Wire Harness



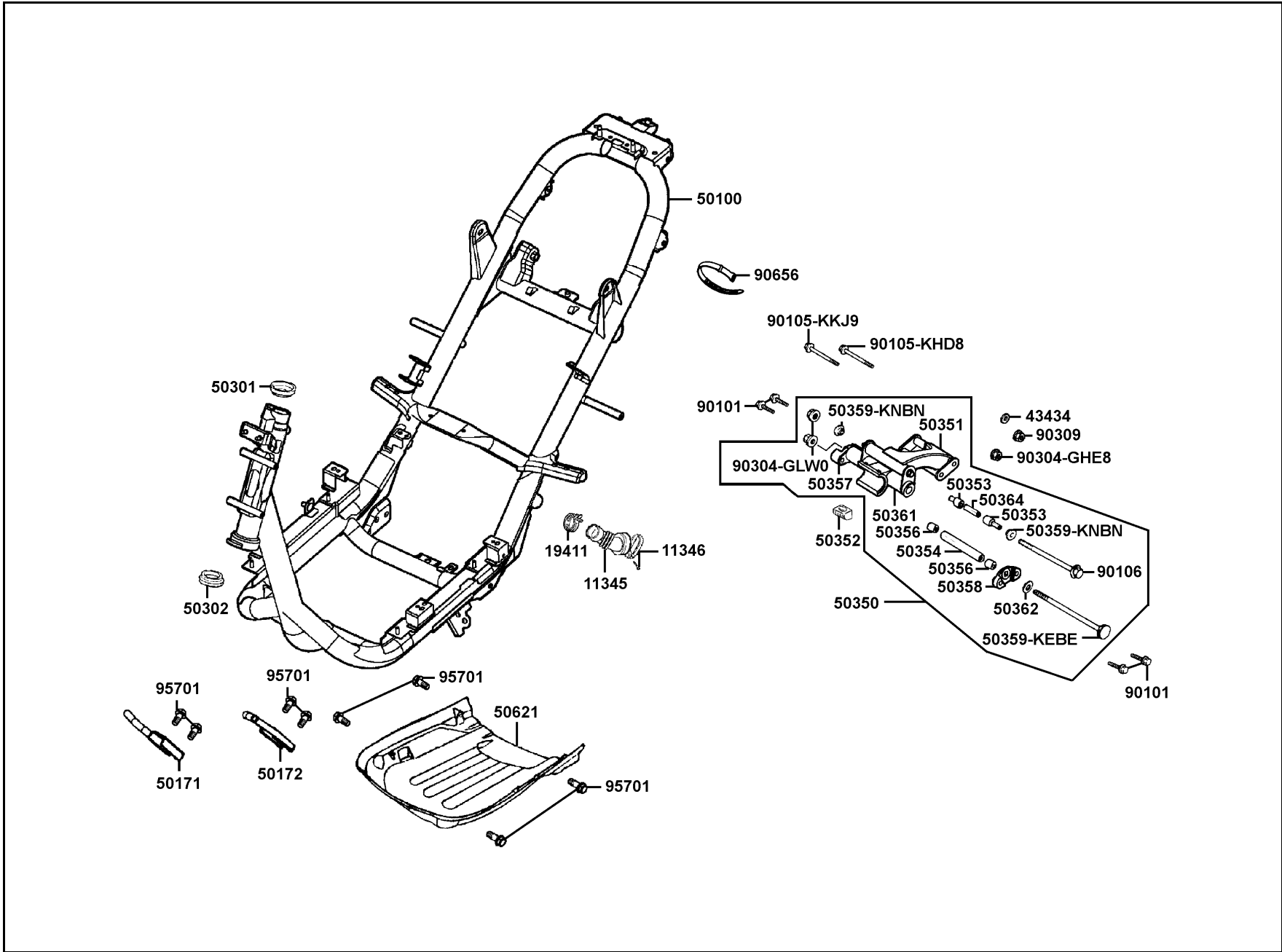
| 販賣記號 Sales mark | 項目 Ref no | 零件號碼 Part no | 版數 Ver | 英文名稱 Description | 中文名稱 Chinese | 需要用量 Regd no | 參考價 Ref Price |
|-----------------------|--------------|-----------------|-----------|--------------------------|-----------------|-----------------|------------------|
| | | 30410-KGN7-671 | 0 | UNIT ASSY C.D.I | C. D. I. 組 | 1 | |
| | | 30510-KEBE-900 | 6 | COIL COMP IGN | 點火線圈 | 1 | |
| | | 30700-KGN7-671 | 2 | CAP ASSY NOISE | 火星塞蓋 | 1 | |
| | | 31600-KAM1-009 | 1 | REG REC COMP | 整流器 | 1 | |
| | | 31650-KEBE-90A | 1 | CHARGE LAMP CONTROL UNIT | 充電控制器 | 1 | |
| | | 31650-KEBE-90B | 1 | CHARGE LAMP CONTROL UNIT | 充電控制器 | 1 | |
| | | 3195A-KBCB-900 | 0 | HAZARD CNTR ASSY | 警示燈控制器組 | 1 | |
| | | 32100-KHD8-M00 | 1 | HARNES WIRE | 主配線 | 1 | |
| | | 32108-GFY6-900 | 0 | COVER HARNES WIRE | 主配線接頭護蓋 | 1 | |
| | | 35010-KHD8-E00 | 3 | KEY SET | 開關組 | 1 | |
| | | 35101-KHD8-305 | 0 | SW SET COMB & LOCK | 主開關 | 1 | |
| | | 35102-KHE7-900 | 0 | COLLAR MAIN SW | 主開關指示器套筒 | 1 | |
| | | 35850-KHD8-900 | 1 | SET START MAG | 起動開關組 | 1 | |
| | | 35850-KHD8-90A | 0 | SET START MAG | 起動開關組 | 1 | |
| | | 37730-KHD8-E00 | 1 | THERMOSTAT SWITCH ASSY | 自動控溫器 | 1 | |
| | | 37780-KHE7-900 | 0 | SENSOR ASSY ROOM TEMP | 溫度接收器 | 1 | |
| | | 38110-KHB4-E0A | 0 | HORN COMP | 喇叭 | 1 | |
| | | 38110-KHB4-E0B | 0 | HORN COMP | 喇叭 | 1 | |
| | | 38200-KEBE-900 | 0 | BOX COMP FUSE | 保險絲盒 | 1 | |
| | | 39100-KHD8-900 | 0 | EMI FILTER MOTOR | 風扇馬達濾波器 | 1 | |

F 19 Wire Harness



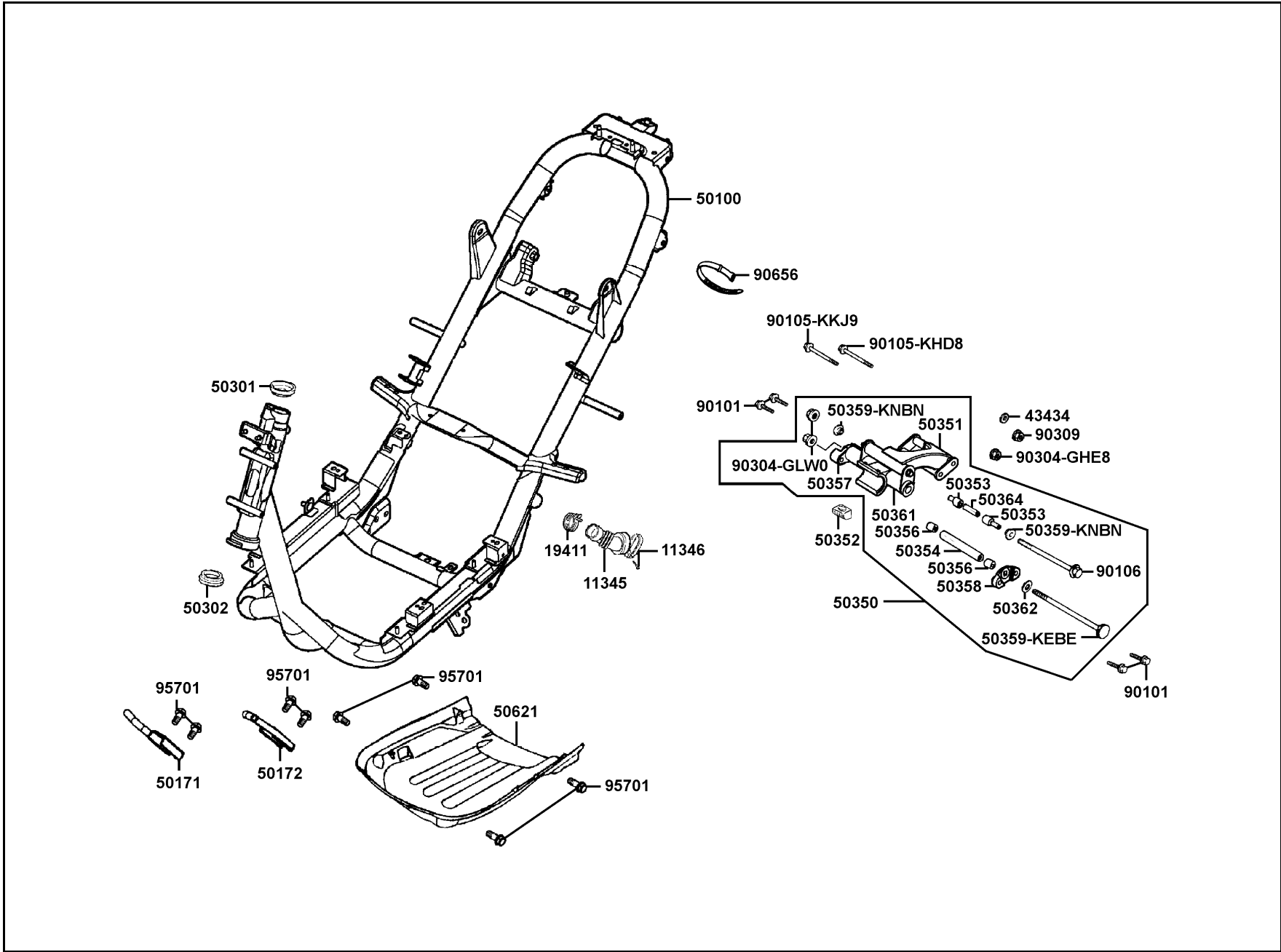
| 販賣記號 Sales mark | 項目 Ref no | 零件號碼 Part no | 版數 Ver | 英 文 名 稱 Description | 中 文 名 稱 Chinese | 需要用量 Regd no | 參考價 Ref Price |
|-----------------------|--------------|-----------------|-----------|------------------------|--------------------|-----------------|------------------|
| | | 53129-KHE7-900 | 0 | PLATE HNDL LOCK | 主開關固定板 | 1 | |
| | | 90112-KRDR-900 | 0 | BOLT FLANGE 5*22 | 螺絲 5*22 | 1 | |
| | | 90164-0H28-900 | 1 | SCREW FLAT U LOCK 6*12 | 特殊螺絲 6*12 | 2 | |
| | | 93500-04025-0H | 0 | SCREW PAN 4*25 | 螺絲 4*25 | 3 | |
| | | 93903-35220 | 0 | SCREW TAPPING 5*12 | 螺絲 5*12 | 1 | |
| | | 94050-06080 | 0 | NUT FLANGE 6MM | 螺帽 6MM | 5 | |
| | | 94050-08080 | 0 | NUT FLANGE 8*16 | 螺帽 8*16 | 1 | |
| | | 95701-KEBE-E00 | 1 | BOLT FLANGE 8*16 | 螺絲 8*16 | 2 | |
| | | 98200-31000 | 0 | BLADE FUSE 10A | 保險絲 10A | 1 | |
| | | 98200-31500 | 0 | BLADE FUSE 15A | 保險絲 15A | 3 | |

F 20 Frame Body



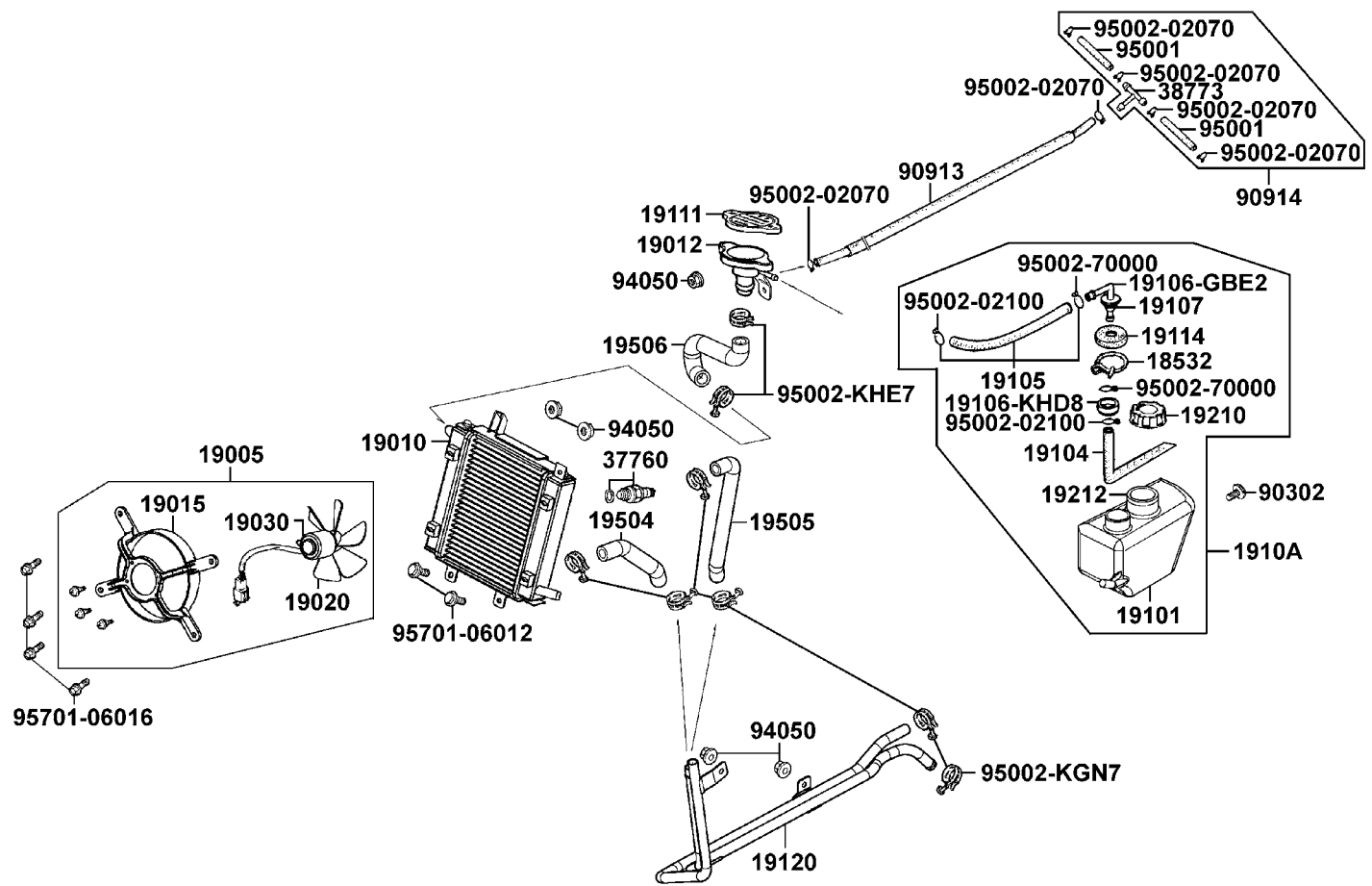
| 販賣記號 Sales mark | 項目 Ref no | 零件號碼 Part no | 版數 Ver | 英文名稱 Description | 中文名稱 Chinese | 需要用量 Regd no | 參考價 Ref Price |
|-----------------------|--------------|-----------------|-----------|---------------------------|-----------------|-----------------|------------------|
| | | 11345-KEBE-901 | 0 | DUCT L COVER | 冷卻導管 | 1 | |
| | | 11346-KEBE-900 | 0 | BAND L COVER DUCT | 導管束帶 | 1 | |
| | | 19411-KNBN-900 | 1 | CLIP HOSE | 冷卻通風管夾 | 1 | |
| | | 43434-2F86-001 | 0 | RUBBER STOPPER ARM CUSHOM | 阻止臂橡皮 | 1 | |
| | | 50100-KHD8-M10 | 5 | BODY COMP FRAME | 車體 | 1 | |
| | | 50171-KHD8-900 | 1 | STAY R LEG SHIELD | 內務箱右邊支架 | 1 | |
| | | 50172-KHD8-900 | 1 | STAY L LEG SHIELD | 內務箱左邊支架 | 1 | |
| | | 50301-KGN7-671 | 2 | RACE UP STRG BALL | 上珠碗 | 1 | |
| | | 50302-2H68-011 | 2 | RACE (STRG BOT) BALL | 下珠碗 | 1 | |
| | | 50350-KEBE-900 | 8 | HANGER ASSY ENG | 引擎吊架 | 1 | |
| | | 50351-KEBE-900 | 5 | BRKT ENG HANGER B | 引擎吊架 B | 1 | |
| | | 50352-KEBE-900 | 1 | STOPPER RUB HANGER | 橡皮 | 1 | |
| | | 50353-KGN7-901 | 0 | BUSH A ENG HANGER | 引擎吊架襯套 A | 2 | |
| | | 50354-KEBE-900 | 0 | COLLAR B ENG HANGER | 吊架套筒 B | 1 | |
| | | 50356-KEBE-900 | 1 | RUBBER BUSH ENG HANGER | 引擎吊架橡皮襯套 | 2 | |
| | | 50357-KEBE-900 | 0 | BRKT ENG HANGER R | 引擎吊架右托件 | 1 | |
| | | 50358-KEBE-900 | 0 | BRKT ENG HANGER L | 引擎吊架左托件 | 1 | |
| | | 50359-KEBE-900 | 0 | BOLT SQUARE 10*260 | 四角特殊螺絲 10*260 | 1 | |
| | | 50359-KNBN-200 | 0 | BEARING ENG HANGER | 吊架軸承 | 2 | |
| | | 50361-KEBE-900 | 6 | BRKT ENG HANGER A | 引擎吊架 A | 1 | |

F 20 Frame Body



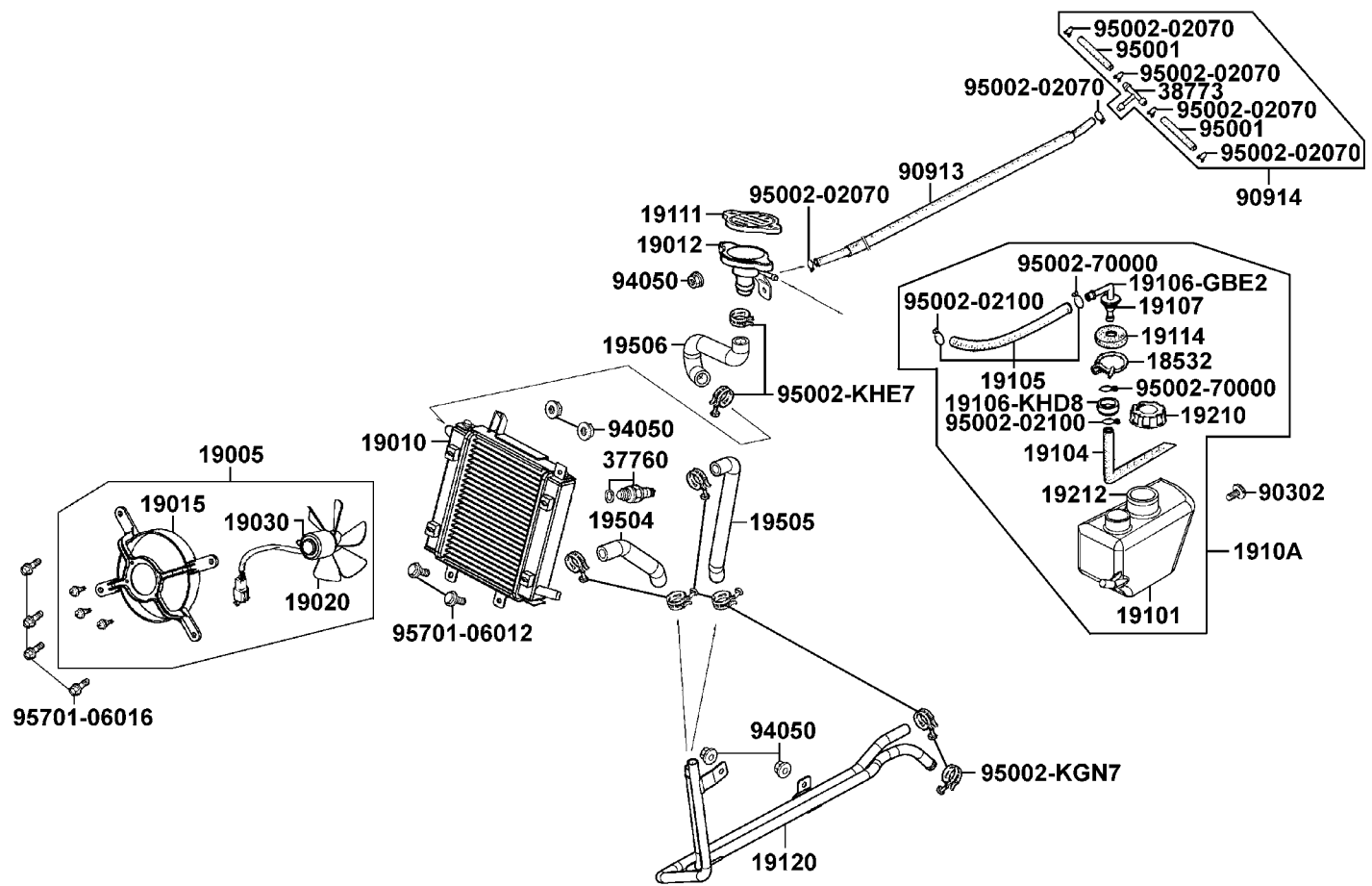
| 販賣記號 Sales mark | 項目 Ref no | 零件號碼 Part no | 版數 Ver | 英文名稱 Description | 中文名稱 Chinese | 需要用量 Regd no | 參考價 Ref Price |
|-----------------------|--------------|-----------------|-----------|---------------------|-----------------|-----------------|------------------|
| | | 50362-KEBE-900 | 0 | SQUARE WASHER | 四角孔華司 | 1 | |
| | | 50364-KEBE-900 | 1 | COLLAR B ENG HANGER | 吊架套筒 B | 1 | |
| ** | | 50621-KEBE-E00 | 3 | COVER UNDER | 下罩 | 1 | |
| | | 90101-KEBE-900 | 1 | BOLT FLANGE 10*25 | 特殊螺絲 10*25 | 4 | |
| | | 90105-KHD8-900 | 1 | BOLT FLANGE | 吊板螺絲 | 1 | |
| | | 90105-KKJ9-000 | 2 | BOLT FLANGE 10*210 | 螺絲 10*210 | 1 | |
| | | 90106-KEBE-900 | 0 | BOLT FLANGE 10*175 | 螺絲 10*175 | 1 | |
| | | 90304-GHE8-004 | 0 | NUT U 10MM | 螺帽 10MM | 1 | |
| | | 90304-GLW0-90A | 0 | NUT U FLANGE 10MM | 螺帽 10MM | 2 | |
| | | 90309-GLW0-90A | 0 | NUT U FLANGE 8MM | 螺帽 8MM | 1 | |
| | | 90656-KUDU-900 | 0 | BAND HARNESS WIRE | 主配線束帶 | 1 | |
| | | 95701-06012-08 | 0 | BOLT FLANGE 6*12 | 螺絲 6*12 | 8 | |

F 21 Radiator



| 販賣記號 Sales mark | 項目 Ref no | 零件號碼 Part no | 版數 Ver | 英文名稱 Description | 中文名稱 Chinese | 需要用量 Regd no | 參考價 Ref Price |
|-----------------------|--------------|-----------------|-----------|------------------------------|-----------------|-----------------|------------------|
| | | 18532-KEBE-900 | 0 | CLIP RESERVE TANK CAP | 預備水箱管夾 | 1 | |
| | | 19005-KHD8-900 | 2 | SHROUD ASSY | 風扇馬達組 | 1 | |
| | | 19010-KHD8-900 | 6 | RADIATOR COMP | 水箱 | 1 | |
| | | 19012-KHD8-900 | 4 | UNIT RADIATOR | 水箱蓋組 | 1 | |
| | | 19015-KHD8-900 | 1 | SHROUD COMP | 風扇覆環 | 1 | |
| | | 19020-KHD8-900 | 0 | FAN COOLING | 風扇 | 1 | |
| | | 19030-KHD8-900 | 0 | MOTOR ASSY FAN | 風扇馬達 | 1 | |
| | | 19101-KHD8-900 | 5 | TANK RESERVE | 預備水箱 | 1 | |
| | | 19104-KHD8-900 | 0 | HISE RESERVE TANK | 水管 | 1 | |
| | | 19105-KHD8-900 | 1 | HOSE ASSY RESERVE TANK-WATER | 水管 | 1 | |
| | | 19106-GBE2-001 | 2 | ADPT RESERVE CAP | 連結管蓋 | 1 | |
| | | 19106-KHD8-900 | 0 | STOPPER RADIATOR FLUID | 止回流襯 | 1 | |
| | | 19107-GBE2-001 | 2 | STOPPER RAD FLUID | 減震墊圈 | 1 | |
| | | 1910A-KHD8-900 | 8 | TANK ASSY RESERVE | 預備水箱組 | 1 | |
| | | 19111-GBE2-004 | 1 | CAP COMP | 水箱蓋 | 1 | |
| | | 19114-KEBE-900 | 1 | CAP RESERVE | 預備水箱蓋 | 1 | |
| | | 19120-KHD8-900 | 4 | PIPE COMP WATER | 水管 | 1 | |
| | | 19210-HAJ1-900 | 2 | CAP RESERVE FUEL TANK | 預備水箱蓋 | 1 | |
| | | 19212-KHD8-900 | 0 | PACKING RESERVE TANK | 預備水箱襯墊 | 1 | |
| | | 19504-KHD8-900 | 0 | HOSE WATER D | 水管 D | 1 | |

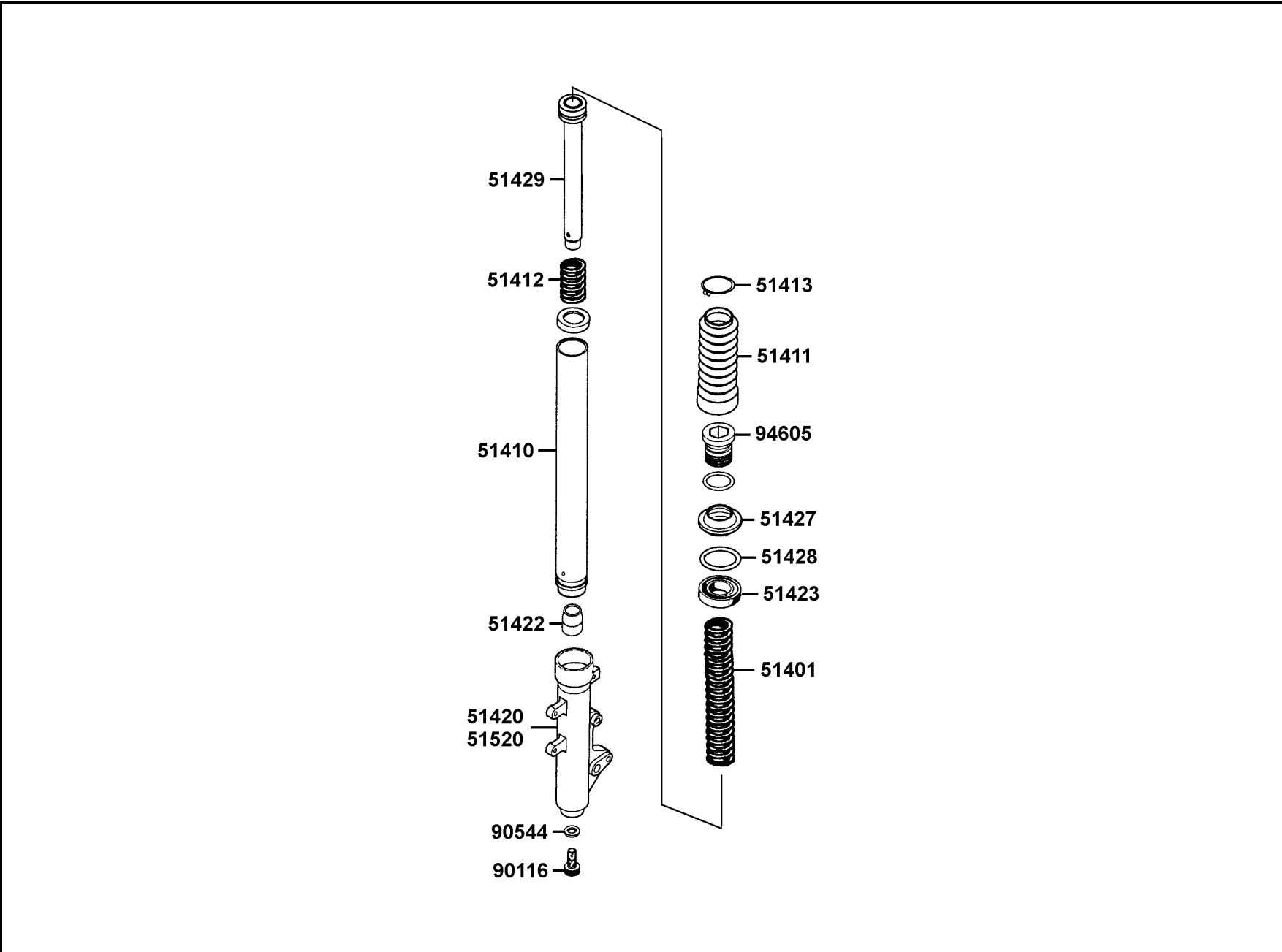
F 21 Radiator



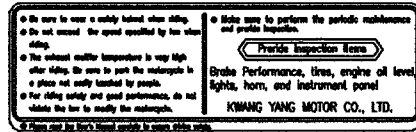
| 販賣記號 Sales mark | 項目 Ref no | 零件號碼 Part no | 版數 Ver | 英文名稱 Description | 中文名稱 Chinese | 需要用量 Regd no | 參考價 Ref Price |
|-----------------------|--------------|-----------------|-----------|----------------------|-----------------|-----------------|------------------|
| | | 19505-KHD8-900 | 0 | HOSE WATER F | 水管 F | 1 | |
| | | 19506-KHD8-900 | 1 | HOSE WATER G | 水管 G | 1 | |
| | | 37760-KHD8-900 | 0 | SW ASSY THERMO | 調溫開關 | 1 | |
| | | 38773-PKB9-001 | 0 | JOINT 3 WAY 3.5 | 三向管接頭 | 1 | |
| | | 90302-GBR2-001 | 1 | BOLT WASHER 5*16 | 螺絲 5*16 | 1 | |
| | | 90913-KHD8-900 | 0 | TUBE ASSY WATER PUMP | 水管 | 1 | |
| | | 90914-KHD8-900 | 0 | TUBE ASSY WATER | 水管 | 1 | |
| | | 94050-06080 | 0 | NUT FLANGE 6MM | 螺帽 6MM | 5 | |
| | | 95001-35135-40 | 0 | TUBE FUEL 3.5*135 | 油管 3.5*135 | 2 | |
| | | 95002-02070 | 0 | CLIP B7 TUBE | 管夾 | 6 | |
| | | 95002-02100 | 0 | CLIP B10 TUBE | 管夾 | 2 | |
| | | 95002-70000 | 0 | CLIP C11 TUBE | 管夾 | 2 | |
| | | 95002-KHE7-900 | 0 | CLIP WATER HOSE | 水管夾 | 2 | |
| | | 95002-KGN7-910 | 1 | CLAMP TUBE | 水管夾 | 6 | |
| | | 95701-06012-08 | 0 | BOLT FLANGE 6*12 | 螺絲 6*12 | 2 | |
| | | 95701-06016-08 | 0 | BOLT FLANGE 6*16 | 螺絲 6*16 | 4 | |

F 22

Separated Pats Of Fr Fork



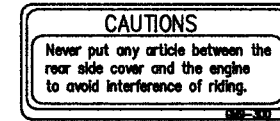
| 販賣記號 Sales mark | 項目 Ref no | 零件號碼 Part no | 版數 Ver | 英文名稱 Description | 中文名稱 Chinese | 需要用量 Regd no | 參考價 Ref Price |
|-----------------------|--------------|-----------------|-----------|-----------------------|-----------------|-----------------|------------------|
| | | 51401-KHD8-900 | 0 | SPRING | 彈簧 | 1 | |
| | | 51410-KHD8-900 | 0 | FORK PIPE COMP | 前避震器管 | 1 | |
| | | 51411-KHD8-900 | 0 | BOOT | 護套 | 1 | |
| | | 51412-KHD8-900 | 0 | REBOUND SPRING | 回位彈簧 | 1 | |
| | | 51413-KHD8-900 | 0 | BOOT BAND | 護套夾 | 1 | |
| | | 51420-KHD8-900 | 0 | BOTTOM CASE R | 右前避震器底管 | 1 | |
| | | 51422-KEC8-900 | 0 | OIL LOCK PIECE | 止油接頭 | 1 | |
| | | 51423-KKAK-900 | 0 | OIL SEAL | 油封 | 1 | |
| | | 51427-KKAK-900 | 0 | DUST SEAL | 防塵封 | 1 | |
| | | 51428-KKAK-900 | 0 | OIL SEAL STOPPER RING | 油封止位環 | 1 | |
| | | 51429-KHD8-900 | 0 | PIPE SEAT COMP | 避震管座 | 1 | |
| | | 51520-KHD8-900 | 0 | BOTTOM CASE L | 左前避震器底管 | 1 | |
| | | 90116-KHD8-900 | 0 | BOLT | 螺絲 | 1 | |
| | | 90544-KEC8-900 | 0 | PACKING | 特殊華司 | 1 | |
| | | 94605-KHD8-900 | 0 | FORK BOLT | 螺絲 | 1 | |



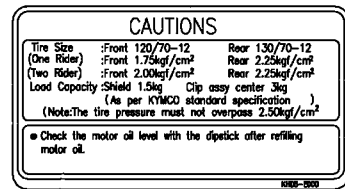
87560



87501



87542



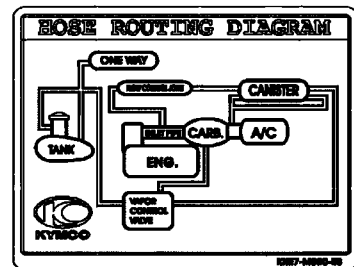
87505



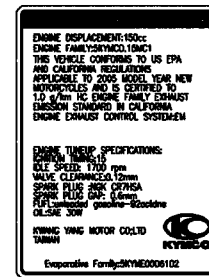
87571



87512



87507



87122

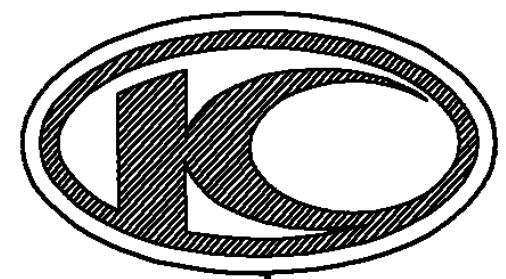
| 販賣記號 Sales mark | 項目 Ref no | 零件號碼 Part no | 版數 Ver | 英文名稱 Description | 中文名稱 Chinese | 需要用量 Regd no | 參考價 Ref Price |
|-----------------------|--------------|-----------------|-----------|----------------------|-----------------|-----------------|------------------|
| | | 87505-KHD8-E00 | 0 | LABEL TIRE | 英法文輪胎規格標籤 | 1 | |
| | | 87512-KEBE-E00 | 0 | CAUTION FILTER | 英法文警示標籤 | 1 | |
| | | 87542-GAR1-E00 | 2 | MARK MAINT CAUTION | 英法文警示標籤 | 1 | |
| | | 87560-GFY6-E00 | 3 | MARK DRIVE CAUTION | 英法文警示標籤 | 1 | |
| | | 87501-KRDR-E00 | 2 | CAUTION USE GAS ONLY | 警告標示貼紙 | 1 | |
| | | 87571-KBE2-A40 | 1 | MARK MIT | 貼紙 | 1 | |
| | | 87507-KHE7-M30 | 3 | MARK OF CANISTER L/O | B&W 250美國法規貼紙 | 1 | |
| | | 87122-KHD8-M30 | 2 | MARK EVAPORATIVE E/M | 美國引擎排放管制貼紙 | 1 | |



86202




86212



86102

| 販賣記號 Sales mark | 項目 Ref no | 零件號碼 Part no | 版數 Ver | 英文名稱 Description | 中文名稱 Chinese | 需要用量 Regd no | 參考價 Ref Price |
|-----------------------|--------------|-----------------|-----------|---------------------|-----------------|-----------------|------------------|
| | | 86102-KFA6-E00 | 0 | EMB K-LOGO 30MM | 標誌 | 1 | |
| | | 86202-KHD8-E00 | 0 | EMB BODY COVER | 車體邊蓋標誌 | 2 | |
| | | 86212-KHD8-E00 | 0 | EMB B BODY COVER | 車體邊蓋標誌 B | 2 | |



零件號碼索引
PARTS NO. INDEX

零 件 號 碼 索 引

PART NO. INDEX

| 零 件 號 碼 PART NO. | 版 數 VERSION | 頁 次 PAGE | 零 件 號 碼 PART NO. | 版 數 VERSION | 頁 次 PAGE | 零 件 號 碼 PART NO. | 版 數 VERSION | 頁 次 PAGE |
|---------------------|----------------|-------------|---------------------|----------------|-------------|---------------------|----------------|-------------|
| | | | 12191-KEBE-900 | 0 | E03 | 14761-KKJ9-003 | 1 | E02 |
| | | | 12200-KEBE-E00 | 11 | E02 | 14771-GDB4-680 | 2 | E02 |
| 10000 | | | 12205-KHE8-301 | 0 | E02 | 14775-MFA6-001 | 0 | E02 |
| | | | 12209-GDB4-68A | 0 | E02 | 14781-MFA6-001 | 0 | E02 |
| 1001-MA1H-0351 | 0 | E09 | 12209-GDB4-68B | 0 | E02 | | | |
| 1010-43BH-9900 | 0 | E09 | 1221A-KEBE-900 | 1 | E02 | | | |
| | | | 12251-KEBE-901 | 0 | E02 | 15000 | | |
| 11000 | | | 12310-KEBE-900 | 4 | E02 | | | |
| | | | 12361-GFY6-901 | 1 | E04 | 15100-KEBE-900 | 0 | |
| | | | 12391-KEBE-900 | 0 | E02 | 15133-KAM1-001 | 0 | |
| 11102-1G87-004 | 3 | E01 | | | | 15141-KKJ9-004 | 0 | |
| 1110A-KEBE-900 | 4 | E01 | | | | 1531-803-2000 | 0 | |
| 11192-KEBE-900 | 0 | E01 | 13000 | | | 15421-1G07-001 | 1 | |
| 11200-KFC8-305 | 2 | E01 | | | | 15426-GAE1-921 | 0 | |
| 11202-KEBE-900 | 0 | E01 | 13000-KFC8-900 | 4 | E03 | 1565A-KEBE-900 | 0 | |
| 11203-GGC7-301 | 2 | E01 | 13011-KFBF-E0A | 2 | E03 | 15711-KEBE-900 | 0 | |
| 11203-GGC7-301 | 2 | F16 | 13101-KEBE-900 | 3 | E03 | 15712-KEBE-900 | 0 | |
| 11204-KNBN-901 | 0 | E01 | 13111-KKJ9-001 | 1 | E03 | | | |
| 11205-KNBN-901 | 0 | E01 | | | | 16000 | | |
| 11207-KHD8-900 | 4 | E01 | | | | | | |
| 11211-KHD8-900 | 0 | F13 | 14000 | | | | | |
| 11221-KHD8-900 | 0 | E01 | | | | 16051-KN7-7410-M1 | 0 | E09 |
| 11330-KEBE-500 | 2 | E04 | 14100-KEBE-220 | 3 | E02 | 16080-KJ9-0030 | 0 | E09 |
| 11341-KFC8-900 | 0 | E01 | 14401-KGN7-67A | 0 | E03 | 16107-KJ9-0030 | 0 | E09 |
| 11345-KEBE-901 | 0 | F20 | 14431-KKC1-900 | 0 | E02 | 1610K-KHD8-M00 | 0 | E09 |
| 11346-KEBE-900 | 0 | F20 | 14450-KEBE-900 | 0 | E02 | 16111-KN7-7410-M1 | 0 | E09 |
| 11383-GFY6-901 | 2 | E01 | 14461-KEBE-900 | 0 | E02 | 16165-KJ9-0030 | 0 | E09 |
| 11383-KEBE-900 | 3 | E08 | 14510-KEBE-900 | 1 | E03 | 16217-KEBE-900 | 1 | E02 |
| 11394-KEBE-900 | 0 | E04 | 14531-KKJ9-001 | 0 | E03 | 1621-885-2000 | 0 | E09 |
| 11395-KFC8-900 | 0 | E01 | 14550-KEBE-900 | 0 | E03 | 1621-886-2000 | 0 | E09 |
| | | | 14555-KKJ9-001 | 0 | E03 | 16218-KHD8-E00 | 1 | E02 |
| | | | 14610-KKJ9-001 | 0 | E03 | 16700-KHE7-220 | 0 | F10 |
| 12000 | | | 14711-KEBE-900 | 1 | E02 | 16911-KEBE-910 | 0 | F10 |
| | | | 14721-KAAA-900 | 3 | E02 | 16912-KEBE-910 | 0 | F10 |
| 12100-KEBE-900 | 8 | E03 | 14751-KKJ9-003 | 1 | E02 | 1691A-KEC2-E00 | 0 | F10 |

零 件 號 碼 索 引

PART NO. INDEX

| 零 件 號 碼 PART NO. | 版 數 VERSION | 頁 次 PAGE | 零 件 號 碼 PART NO. | 版 數 VERSION | 頁 次 PAGE | 零 件 號 碼 PART NO. | 版 數 VERSION | 頁 次 PAGE |
|---------------------|----------------|-------------|---------------------|----------------|-------------|---------------------|----------------|-------------|
| | | | 18294-KEBE-900 | 0 | F14 | 19210-HAJ1-900 | 2 | F21 |
| | | | 18295-KECE-900 | 0 | F14 | 19211-KEBE-900 | 0 | E08 |
| | | | 18305-KHD8-900 | 0 | F14 | 19212-KHD8-900 | 0 | F21 |
| | | | 18306-KHD8-900 | 1 | F14 | 19215-KKJ9-011 | 0 | E08 |
| | | | 1830A-KHD8-M00 | 1 | F14 | 19217-6G57-024 | 0 | E08 |
| 17000 | | | 18317-KHD8-M00 | 0 | F14 | 19221-KKJ9-011 | 0 | E08 |
| 1703-GJ2H-0040 | 0 | E09 | 18325-KHD8-E00 | 0 | F14 | 19229-KKJ9-001 | 0 | E08 |
| 17110-KEBE-900 | 0 | E02 | 18362-KHD8-900 | 0 | F13 | 19231-KEBE-900 | 2 | E08 |
| 17208-GAR1-011 | 0 | F13 | 18532-KEBE-900 | 0 | F21 | 19300-KAE1-004 | 1 | E08 |
| 17213-KHD8-900 | 0 | F13 | 18601-KHD8-900 | 0 | E02 | 19310-KEBE-900 | 0 | E08 |
| 17215-KGBG-90A | 2 | F13 | 18612-KEBE-900 | 0 | E02 | 19315-KEBE-900 | 2 | E08 |
| 1721A-KHD8-900 | 0 | F13 | 18645-GFY6-941 | 0 | E02 | 19411-KBCB-900 | 0 | F10 |
| 1723A-KHD8-900 | 0 | F13 | 18646-GFY6-941 | 0 | E02 | 19411-KNBN-900 | 1 | F20 |
| 1723B-KHD8-900 | 0 | F13 | 18647-KEBE-900 | 0 | E02 | 19501-KEBE-900 | 2 | E08 |
| 17254-KACA-P00 | 0 | F13 | | | | 19502-KEBE-900 | 0 | E03 |
| 17255-KGV7-671 | 0 | F13 | | | | 19503-KEBE-900 | 0 | E08 |
| 17255-KHD8-900 | 0 | F13 | | | | 19504-KHD8-900 | 0 | F21 |
| 17256-KHE7-900 | 0 | F13 | | | | 19505-KHD8-900 | 0 | F21 |
| 17257-KHD8-900 | 0 | F13 | 19000 | | | 19506-KHD8-900 | 1 | F21 |
| 17258-KHD8-900 | 0 | F13 | | | | | | |
| 17370-4K19-701 | 0 | F13 | 19005-KHD8-900 | 2 | F21 | | | |
| 17371-1D74-671 | 0 | F13 | 19010-KHD8-900 | 6 | F21 | | | |
| 17500-KHD8-900 | 2 | F10 | 19012-KHD8-900 | 4 | F21 | | | |
| 17502-KHD8-900 | 0 | F10 | 19015-KHD8-900 | 1 | F21 | 21000 | | |
| 17510-KHD8-E00 | 1 | F10 | 19020-KHD8-900 | 0 | F21 | | | |
| 17620-KEBE-315-M2 | 0 | F10 | 19030-KHD8-900 | 0 | F21 | 21201-KFC8-305 | 0 | E05 |
| 17623-KEBE-900 | 1 | F10 | 19101-KHD8-900 | 5 | F21 | 21395-KFC8-900 | 0 | E05 |
| 17682-KEBE-900 | 0 | F10 | 19102-KHE7-900 | 0 | F05 | | | |
| 17683-KHD8-900 | 0 | F10 | 19104-KHD8-900 | 0 | F21 | | | |
| 17689-KEBE-900 | 1 | F10 | 19105-KHD8-900 | 1 | F21 | 22000 | | |
| 17910-KEBE-900 | 0 | F03 | 19106-GBE2-001 | 2 | F21 | | | |
| | | | 19106-KHD8-900 | 0 | F21 | 22101-KEBE-900 | 1 | E06 |
| | | | 19107-GBE2-001 | 2 | F21 | 22102-KEBE-900 | 3 | E06 |
| | | | 1910A-KHD8-900 | 8 | F21 | 22105-KHD4-E00 | 1 | E06 |
| | | | 19111-GBE2-004 | 1 | F21 | 22110-KEBE-900 | 2 | E06 |
| 18000 | | | 19114-KEBE-900 | 1 | F21 | 22112-KAAA-90 | 0 | E06 |
| 18291-GGA7-001 | 0 | F14 | 19120-KHD8-900 | 4 | F21 | 22121-KAAA-900 | 2 | E06 |
| 18293-KECE-900 | 0 | F14 | | | | | | |

零 件 號 碼 索 引

PART NO. INDEX

| 零 件 號 碼 PART NO. | 版 數 VERSION | 頁 次 PAGE | 零 件 號 碼 PART NO. | 版 數 VERSION | 頁 次 PAGE | 零 件 號 碼 PART NO. | 版 數 VERSION | 頁 次 PAGE |
|---------------------|----------------|-------------|---------------------|----------------|-------------|---------------------|----------------|-------------|
| 22131-KAAA-900 | 1 | E06 | 28211-KFC8-900 | 0 | E06 | | | |
| 22132-KGN7-670 | 3 | E06 | 28223-KNBN-901 | 0 | E01 | | | |
| 22300-KHD8-900 | 2 | E06 | 28230-KNBN-901 | 0 | E01 | 32000 | | |
| 22350-KGN7-671 | 0 | E06 | 28250-KFC8-900 | 0 | E01 | | | |
| 22361-KGN7-671 | 1 | E06 | 28253-GBN2-60A | 0 | E01 | 32100-KHD8-M00 | 1 | F19 |
| 22401-GFY6-94A | 0 | E06 | 28255-GFS6-001 | 0 | E01 | 32101-KHD8-900 | 1 | E08 |
| 22530-KGN7-671 | 2 | E06 | 28281-KKC2-900 | 0 | E01 | 32108-GFY6-900 | 0 | F19 |
| 22804-GBB2-001 | 0 | E06 | 28300-KHD8-900 | 1 | F15 | 32410-KEBE-900 | 1 | E07 |
| | | | | | | 32411-KHD8-900 | 0 | F11 |
| 23000 | | | 30000 | | | 32412-KHD8-900 | 0 | F11 |
| | | | | | | 33000 | | |
| 2301A-KHD8-900 | 2 | E06 | 30300-KEBE-900 | 2 | E08 | | | |
| 23100-KKC2-900 | 0 | E06 | 30301-KEBE-90B | 0 | E08 | | | |
| 23200-KEBE-900 | 2 | E06 | 30410-KGN7-671 | 0 | F19 | 33100-KHE7-M00 | 2 | F01 |
| 23220-KGN7-671 | 0 | E06 | 30510-KEBE-900 | 6 | F19 | 33120-KHE7-M00 | 0 | F01 |
| 23225-GHC8-004 | 0 | E06 | 30700-KGN7-671 | 2 | F19 | 33130-KHE7-M00 | 0 | F01 |
| 23226-GHC8-004 | 0 | E06 | | | | 33400-KHB5-M00 | 1 | F17 |
| 23233-KGN7-671 | 0 | E06 | | | | 33402-KHB5-M00 | 0 | F17 |
| 23237-KHG8-901 | 0 | E06 | 31000 | | | 33402-KHD8-900 | 0 | F17 |
| 23411-LBF6-E00 | 1 | E05 | | | | 33403-KHD8-M00 | 0 | F17 |
| 23420-KFC8-900 | 5 | E05 | 31110-KEBE-900 | 2 | E08 | 33407-KHD8-900 | 0 | F17 |
| 23431-KFC8-900 | 0 | E05 | 31110-KEBE-90B | 1 | E08 | 33430-KHD8-M00 | 2 | F17 |
| 23432-KFC8-900 | 4 | E05 | 31120-KHD8-B0A | 2 | E08 | 33440-KHD8-M00 | 0 | F17 |
| | | | 31200-KHD8-B0B | 2 | E08 | 33450-KHB5-M00 | 1 | F17 |
| 28000 | | | 31204-KGN7-670 | 0 | E07 | 33452-KHB5-M00 | 0 | F17 |
| | | | 31205-KGN7-670 | 0 | E07 | 33452-KHD8-900 | 0 | F17 |
| | | | 31206-KGN7-670 | 0 | E07 | 33453-KHD8-M00 | 0 | F17 |
| 28101-KKJ9-011 | 0 | E07 | 31210-KEBE-900 | 0 | E07 | 33700-KHD8-M00 | 0 | F18 |
| 28102-KKJ9-001 | 0 | E07 | 31500-KFAF-90A | 4 | F11 | 33701-KHD8-E00 | 0 | F18 |
| 28110-KGN7-672 | 0 | E07 | 31500-KFAF-90B | 6 | F11 | 33706-GCN3-67A | 0 | F18 |
| 28120-KEBE-305 | 0 | E07 | 31600-KAM1-009 | 1 | F19 | 33708-KHD8-M00 | 0 | F18 |
| 28125-4F26-001 | 0 | E07 | 31650-KEBE-90A | 1 | F19 | 33709-KBAB-003 | 0 | F18 |
| 28126-KUDU-900 | 0 | E07 | 31650-KEBE-90B | 1 | F19 | 33730-KHD8-M00 | 0 | F05 |
| 28131-KGN7-671 | 0 | E07 | 3195A-KBCB-900 | 0 | F19 | 33735-KHD8-M00 | 0 | F05 |

零 件 號 碼 索 引

PART NO. INDEX

| 零 件 號 碼 PART NO. | 版 數 VERSION | 頁 次 PAGE | 零 件 號 碼 PART NO. | 版 數 VERSION | 頁 次 PAGE | 零 件 號 碼 PART NO. | 版 數 VERSION | 頁 次 PAGE |
|---------------------|----------------|-------------|---------------------|----------------|-------------|---------------------|----------------|-------------|
| 33741-KHC5-M00 | 0 | F18 | 37200-KHD8-M3B | 1 | F02 | | | |
| 33761-KHC5-M00 | 1 | F18 | 37211-KHD8-90A | 0 | F02 | | | |
| 33900-KFBF-900 | 0 | F12 | 37211-KHD8-90B | 0 | F02 | 42000 | | |
| | | | 37213-KHD8-90A | 0 | F02 | | | |
| 34000 | | | 37213-KHD8-90B | 0 | F02 | 42311-KFC8-900 | 2 | F08 |
| | | | 37280-KFA6-900 | 0 | F02 | 42312-KEBE-900 | 0 | F08 |
| 34901-KFA6-900 | 0 | F01 | 37730-KHD8-E00 | 1 | F19 | 42601-KHD8-90A | 1 | F08 |
| 34903-KPCP-900 | 0 | F01 | 37750-PAC1-005 | 0 | E08 | 42601-KHD8-90B | 1 | F08 |
| 34903-KPCP-900 | 0 | F18 | 37760-KHD8-900 | 0 | F21 | 42601-KHD8-90C | 1 | F08 |
| 34905-KPCP-900 | 0 | F17 | 37780-KHE7-900 | 0 | F19 | 42710-KFC8-90A | 1 | F08 |
| 34905-KPCP-900 | 0 | F18 | 37801-GGA7-701 | 1 | F10 | 42753-KNBN-90B | 0 | F08 |
| 34906-KPCP-900 | 0 | F18 | 37802-GGA7-701 | 2 | F10 | 42753-KXCX-900 | 1 | F07 |
| 34908-MKB9-87A | 0 | F02 | 3780A-KHD8-900 | 1 | F10 | | | |
| 34909-KEBE-900 | 0 | F02 | | | | 43000 | | |
| 34909-KFBF-900 | 0 | F12 | 38000 | | | | | |
| | | | | | | 43100-KHD8-900 | 0 | F08 |
| 35000 | | | 38110-KHB4-E0A | 0 | F19 | 43126-KHD8-900 | 2 | F04 |
| | | | 38110-KHB4-E0B | 0 | F19 | 43127-KHD8-900 | 1 | F04 |
| 35010-KHD8-E00 | 3 | F19 | 38200-KEBE-900 | 0 | F19 | 43130-KHD8-900 | 0 | F04 |
| 35101-KHD8-305 | 0 | F19 | 38301-KHB5-M30 | 1 | F02 | 43156-KEBE-900 | 0 | F04 |
| 35102-KHE7-900 | 0 | F19 | 38500-KHD8-900 | 0 | F11 | 43156-KFC8-900 | 0 | F16 |
| 3515A-KHD8-M00 | 0 | F03 | 38500-KHD8-90A | 0 | F11 | 43210-KHD8-900 | 0 | F08 |
| 3520A-KHD8-900 | 0 | F03 | 38773-PKB9-001 | 0 | F21 | 43215-KEBE-900 | 0 | F08 |
| 35340-KNBN-900 | 0 | F04 | | | | 43351-KHD8-900 | 0 | F08 |
| 35350-KNBN-900 | 0 | F04 | 39000 | | | 43352-5H68-004 | 0 | F08 |
| 35360-KFBF-900 | 1 | F12 | | | | 43352-KKD6-E90 | 1 | F07 |
| 35850-KHD8-900 | 1 | F19 | 39100-KHD8-900 | 0 | F19 | 43353-4A61-77A | 0 | F07 |
| 35850-KHD8-90A | 0 | F19 | | | | 43353-4A61-77A | 0 | F08 |
| | | | | | | 43434-2F86-001 | 0 | F20 |
| 37000 | | | 40000 | | | 43530-KHD4-3050 | 0 | F04 |
| | | | | | | | | |
| | | | 4000-170-0000 | 0 | E09 | 44000 | | |
| 37200-KHD8-M3A | 1 | F02 | | | | | | |

零 件 號 碼 索 引

PART NO. INDEX

| 零 件 號 碼 PART NO. | 版 數 VERSION | 頁 次 PAGE | 零 件 號 碼 PART NO. | 版 數 VERSION | 頁 次 PAGE | 零 件 號 碼 PART NO. | 版 數 VERSION | 頁 次 PAGE |
|---------------------|----------------|-------------|---------------------|----------------|-------------|---------------------|----------------|-------------|
| 44301-KXCX-900 | 2 | F07 | 45210-KHD8-900 | 0 | F07 | 50353-KGN7-901 | 0 | F20 |
| 44311-KEBE-900 | 0 | F07 | 45215-KECE-900 | 0 | F08 | 50354-KEBE-900 | 0 | F20 |
| 44620-KHD8-900 | 0 | F07 | 45215-KKD6-E90 | 1 | F07 | 50356-KEBE-900 | 1 | F20 |
| 44650-KHD8-30A | 3 | F07 | 45216-1F66-007 | 0 | F07 | 50357-KEBE-900 | 0 | F20 |
| 44650-KHD8-30B | 3 | F07 | 45216-1F66-007 | 0 | F08 | 50358-KEBE-900 | 0 | F20 |
| 44650-KHD8-30C | 4 | F07 | 45216-KFW6-90A | 0 | F07 | 50359-KEBE-900 | 0 | F20 |
| 44710-KEB7-E1A | 3 | F07 | 45216-KFW6-90A | 0 | F08 | 50359-KNBN-200 | 0 | F20 |
| 44800-KFA5-900 | 1 | F07 | 45351-KHD8-900 | 0 | F07 | 50361-KEBE-900 | 6 | F20 |
| 44830-KHD8-900 | 1 | F02 | 45513-KHD4-B00 | 2 | F04 | 50362-KEBE-900 | 0 | F20 |
| 44831-KHD8-900 | 0 | F02 | 45517-KFAF-910 | 0 | F04 | 50364-KEBE-900 | 1 | F20 |
| | | | 45520-GLW0-91A | 0 | F04 | 50503-KHD8-900 | 0 | F15 |
| | | | 45530-KHD4-3050 | 0 | F04 | 50505-KHD8-900 | 0 | F15 |
| 45000 | | | 45531-GAR1-951 | 0 | F07 | 50505-KKD7-900 | 1 | F15 |
| | | | 45531-GAR1-951 | 0 | F08 | 5050A-KHD8-900 | 2 | F15 |
| 45105-KEBE-305-M2 | 0 | F08 | | | | 50530-KHD8-E00 | 3 | F15 |
| 45107-MEN5-007 | 0 | F08 | 46000 | | | 50621-KEBE-E00 | 3 | F20 |
| 45108-MDL4-007 | 0 | F07 | | | | | | |
| 45108-MDL4-007 | 0 | F08 | | | | 51000 | | |
| 45109-GBE2-007 | 0 | F07 | 46514-KFBF-900 | 0 | F12 | | | |
| 45109-GBE2-007 | 0 | F08 | | | | | | |
| 4510A-KFW6-900 | 2 | F07 | | | | 51400-KHD8-900 | 1 | F06 |
| 45126-KHD8-900 | 1 | F04 | 50000 | | | 51401-KHD8-900 | 0 | F22 |
| 45128-KEBE-900 | 0 | F04 | | | | 51410-KHD8-900 | 0 | F22 |
| 45131-1F66-017 | 0 | F07 | 50100-KHD8-M10 | 5 | F20 | 51411-KHD8-900 | 0 | F22 |
| 45131-1F66-017 | 0 | F08 | 50117-KHD8-900 | 1 | F10 | 51412-KHD8-900 | 0 | F22 |
| 45131-GBE2-007 | 1 | F07 | 50139-KHE7-900 | 0 | F10 | 51413-KHD8-900 | 0 | F22 |
| 45131-GBE2-007 | 1 | F08 | 50171-KHD8-900 | 1 | F20 | 51420-KHD8-900 | 0 | F22 |
| 45132-1F66-017 | 0 | F07 | 50172-KHD8-900 | 1 | F20 | 51422-KEC8-900 | 0 | F22 |
| 45132-1F66-017 | 0 | F08 | 50301-KGN7-671 | 2 | F20 | 51423-KKAK-900 | 0 | F22 |
| 45133-MCA3-007 | 0 | F07 | 50302-2H68-011 | 2 | F20 | 51427-KKAK-900 | 0 | F22 |
| 45133-MCA3-007 | 0 | F08 | 50306-1F96-001 | 1 | F06 | 51428-KKAK-900 | 0 | F22 |
| 45156-KECE-900 | 1 | F06 | 50326-KHD8-900 | 2 | F11 | 51429-KHD8-900 | 0 | F22 |
| 45200-KHD8-E90 | 0 | F07 | 50350-KEBE-900 | 8 | F20 | 5150A-KHD8-900 | 1 | F06 |
| 45209-GBE2-007 | 0 | F07 | 50351-KEBE-900 | 5 | F20 | 51520-KHD8-900 | 0 | F22 |
| 45209-GBE2-007 | 0 | F08 | 50352-KEBE-900 | 1 | F20 | | | |

零件號碼索引

PART NO. INDEX

| 零件號碼 PART NO. | 版數 VERSION | 頁次 PAGE | 零件號碼 PART NO. | 版數 VERSION | 頁次 PAGE | 零件號碼 PART NO. | 版數 VERSION | 頁次 PAGE |
|------------------|---------------|------------|-------------------|---------------|------------|------------------|---------------|------------|
| 52000 | | | 64000 | | | 80105-KHD8-900 | 0 | F18 |
| 52100-KHD8-900 | 0 | F16 | 64301-KHE7-900 | 2 | F05 | 80151-KHD8-900 | 2 | F12 |
| 52110-KHD8-900 | 0 | F16 | 64302-KHD8-900 | 0 | F05 | 81000 | | |
| 52120-KFC8-900 | 1 | F16 | 64303-KHE7-900 | 1 | F05 | 81131-KHD8-M30 | 0 | F05 |
| 52400-KHD8-E00 | 0 | F16 | 64305-KHD8-900 | 0 | F05 | 81132-KEB7-900 | 1 | F05 |
| | | | 64306-KHD8-900 | 0 | F05 | 8113A-KHD8-900 | 0 | F05 |
| 53000 | | | 64310-KHD8-900 | 0 | F05 | 8114A-KHD8-900 | 0 | F05 |
| 53100-KHD8-900 | 2 | F03 | 64316-KEB7-900 | 0 | F05 | 81153-KHD8-900 | 0 | F05 |
| 53105-KFC8-900 | 2 | F03 | 64320-KHD8-900 | 2 | F05 | 81200-KHD8-900 | 1 | F12 |
| 53106-KFC8-900 | 2 | F03 | 64321-KHD8-900 | 2 | F05 | 81201-KHD8-900 | 1 | F12 |
| 53125-GEN5-901 | 0 | F03 | 64331-KHD8-900 | 0 | F12 | 81257-KHD8-900 | 0 | F12 |
| 53129-KHE7-900 | 0 | F19 | 64341-KHD8-900 | 0 | F12 | 81260-KHD8-M30 | 2 | F12 |
| 53140-KFC8-900 | 0 | F03 | 64351-KHD8-900 | 0 | F12 | | | |
| 53166-KNBN-911 | 0 | F03 | 64361-KHD8-900 | 0 | F12 | 83000 | | |
| 53175-KFA5-E10 | 0 | F04 | 64400-KHD8-900 | 1 | F05 | 83500-KHD8-900 | 3 | F12 |
| 53178-KFC8-E10 | 0 | F04 | | | | 83501-KHD8-900 | 4 | F12 |
| 53200-KHD8-900 | 0 | F06 | 77000 | | | 83600-KHD8-900 | 3 | F12 |
| 53205-KHD8-900 | 1 | F03 | 77200-KHD8-E00 | 1 | F09 | 83601-KHD8-900 | 4 | F12 |
| 53206-KHD8-M30 | 2 | F03 | 77206-KEC6-900 | 0 | F12 | 83605-KHD8-900 | 0 | F13 |
| 53207-KHD8-900 | 1 | F03 | 77232-KCAC-901 | 2 | F12 | 8376A-KEBE-900 | 4 | F05 |
| 53211-GFY6-940 | 1 | F06 | 77235-KEBE-900 | 0 | F12 | | | |
| 53212-2L50-011 | 1 | F06 | 77239-GFY6-315-M2 | 0 | F12 | 86000 | | |
| 53214-2L50-001 | 0 | F06 | 77240-KEBE-900 | 0 | F12 | 86102-KFA6-E00 | 0 | F24 |
| 53215-2L50-001 | 0 | F06 | 77303-KEBE-900 | 1 | F09 | 86202-KHD8-E00 | 0 | F24 |
| 61000 | | | 80000 | | | 86212-KHD8-E00 | 0 | F24 |
| 61110-KHD8-900 | 2 | F05 | 80100-KHD8-900 | 0 | F18 | | | |
| | | | 80101-KHD8-900 | 1 | F18 | | | |

零 件 號 碼 索 引

PART NO. INDEX

| 零 件 號 碼 PART NO. | 版 數 VERSION | 頁 次 PAGE | 零 件 號 碼 PART NO. | 版 數 VERSION | 頁 次 PAGE | 零 件 號 碼 PART NO. | 版 數 VERSION | 頁 次 PAGE | |
|---------------------|----------------|-------------|---------------------|----------------|-------------|---------------------|----------------|-------------|-----|
| 87000 | | | 9008A-KEE2-900 | 0 | E04 | 90302-GFY6-901 | 1 | F12 | |
| | | | 90101-KEBE-900 | 1 | F20 | 90302-GFY6-940 | 1 | F12 | |
| | | | 90105-KCR3-001 | 1 | F07 | 90302-GFY6-940 | 1 | F18 | |
| | | | 90105-KCR3-001 | 1 | F08 | 90302-KFC2-900 | 1 | F18 | |
| | 87122-KHD8-M30 | 2 | F23 | 90105-KHD8-900 | 1 | F20 | 90302-KNBN-900 | 0 | F03 |
| | 87501-KRDR-E00 | 2 | F23 | 90105-KKJ9-000 | 2 | F20 | 90302-SDA4-004 | 1 | F03 |
| | 87505-KHD8-E00 | 0 | F23 | 90106-GEN5-901 | 0 | F03 | 90302-SDA4-004 | 1 | F05 |
| | 87507-KHE7-M30 | 3 | F23 | 90106-KEBE-900 | 0 | F20 | 90302-SDA4-004 | 1 | F12 |
| | 87512-KEBE-E00 | 0 | F23 | 90106-KFC2-900 | 0 | F03 | 90304-4H38-001 | 0 | E02 |
| | 87542-GAR1-E00 | 2 | F23 | 90106-KFC2-900 | 0 | F12 | 90304-GHE8-004 | 0 | F03 |
| 87560-GFY6-E00 | 3 | F23 | 90108-KFC8-E10 | 0 | F15 | 90304-GHE8-004 | 0 | F20 | |
| 87571-KBE2-A40 | 1 | F23 | 90110-GLW0-001 | 0 | F12 | 90304-GLW0-90A | 0 | F20 | |
| 88000 | | | 90110-KEB7-900 | 0 | F03 | 90305-KFW6-91A | 0 | F08 | |
| | | | 90110-KEB7-900 | 1 | F05 | 90306-KLF0-901 | 0 | F07 | |
| | | | 90110-KEB7-900 | 1 | F12 | 90309-GLW0-90A | 0 | F14 | |
| | | | 90110-KHD8-900 | 0 | F14 | 90309-GLW0-90A | 0 | F20 | |
| | 88110-KHD8-900 | 2 | F03 | 90111-1G47-001 | 0 | F12 | 90309-KLF0-004 | 0 | F16 |
| | 88120-KHD8-900 | 2 | F03 | 90111-1G87-001 | 1 | F05 | 90381-GEZ5-001 | 1 | F12 |
| | | | | 90112-KRDR-900 | 0 | F19 | 90401-KKJ9-001 | 0 | E08 |
| | | | | 90114-1F66-007 | 2 | F04 | 90403-KGN7-671 | 0 | E06 |
| | | | | 90114-GDM4-011 | 1 | F13 | 90411-KAM1-001 | 0 | E05 |
| | | | | 90116-KHD8-900 | 0 | F22 | 90412-3K29-001 | 0 | E01 |
| 89010-KGN7-C00 | 2 | F09 | 90122-KEBE-900 | 2 | F07 | 90423-KKJ9-001 | 0 | E08 | |
| 89013-KFC8-E00 | 1 | F09 | 90131-GLW0-911 | 0 | F08 | 90446-3G57-001 | 0 | E05 | |
| 90000 | | | 90145-MKS9-61A | 1 | F04 | 90451-GBN2-601 | 0 | E01 | |
| | | | 90164-0H28-900 | 1 | F19 | 90465-MDC4-001 | 0 | E02 | |
| | | | 90201-KHR8-75A | 0 | E08 | 90474-3C33-001 | 0 | E05 | |
| | | | 90201-PHB8-001 | 0 | E06 | 90478-7L00-001 | 0 | E03 | |
| | 90012-3C33-001 | 0 | E02 | 90202-KGN7-671 | 0 | E06 | 90478-7L00-001 | 0 | E08 |
| | 90021-GFY6-900 | 1 | F14 | 90206-0A01-001 | 0 | E02 | 9052A-GFY6-950 | 1 | E01 |
| | 90031-KEBE-900 | 0 | E01 | 90215-GLM0-910 | 0 | F14 | 90544-KEC8-900 | 0 | F22 |
| | 90032-KEBE-900 | 0 | E01 | 90215-KKC4-900 | 0 | F12 | 90545-3L00-001 | 2 | F04 |
| | 90033-GFY6-900 | 0 | E02 | 90301-6D34-670 | 1 | F18 | 90605-1F66-721 | 0 | E06 |
| | 90033-GFY6-941 | 0 | E02 | 90301-GFY6-901 | 1 | F14 | 90652-GFY6-901 | 1 | F13 |
| 90084-4H28-001 | 0 | E04 | 90302-GBR2-001 | 1 | F21 | 90656-GFY6-911 | 0 | F03 | |

零 件 號 碼 索 引

PART NO. INDEX

| 零 件 號 碼 PART NO. | 版 數 VERSION | 頁 次 PAGE | 零 件 號 碼 PART NO. | 版 數 VERSION | 頁 次 PAGE | 零 件 號 碼 PART NO. | 版 數 VERSION | 頁 次 PAGE |
|---------------------|----------------|-------------|---------------------|----------------|-------------|---------------------|----------------|-------------|
| 90656-KUDU-900 | 0 | F20 | 91303-3G77-001 | 0 | E04 | 93903-34360 | 0 | F12 |
| 90677-GAR1-004 | 1 | F12 | 91307-0E35-001 | 0 | E04 | 93903-34360 | 0 | F17 |
| 90677-GAR1-004 | 1 | F18 | 91309-4E25-004 | 0 | E07 | 93903-34360 | 0 | F18 |
| 90683-GAR1-004 | 4 | F05 | 91384-KEBE-900 | 0 | E06 | 93903-35220 | 0 | F10 |
| 90701-HFB6-011 | 1 | E03 | 91981-KGN7-670 | 0 | E07 | 93903-35220 | 0 | F19 |
| 90754-GHC8-00A | 1 | F07 | | | | 93903-35320 | 0 | F02 |
| 90912-KFLF-00A | 0 | F07 | | | | 93903-35320 | 0 | F13 |
| 90913-KHD8-900 | 0 | F21 | 92000 | | | 93903-GFY6-900 | 1 | F03 |
| 90914-KHD8-900 | 0 | F21 | | | | 93903-GFY6-900 | 1 | F05 |
| | | | 92000-05032-0H | 0 | E08 | 93903-GFY6-900 | 1 | F12 |
| 91000 | | | | | | 93903-GFY6-900 | 1 | F18 |
| | | | 93000 | | | 93903-KEB7-900 | 1 | F05 |
| 91001-GFY6-90A | 2 | E06 | | | | | | |
| 91001-KKJ9-006 | 0 | E08 | 93404-KKC2-900 | 1 | F05 | 94000 | | |
| 91002-GGA7-70A | 0 | E06 | 93500-04008-1H | 0 | E09 | | | |
| 91003-KDS4-004 | 1 | E05 | 93500-04014-1H | 0 | E09 | 94050-05080 | 0 | F18 |
| 91008-GLE0-004 | 0 | E02 | 93500-04025-0H | 0 | F19 | 94050-06070 | 0 | F04 |
| 91009-GLE0-004 | 1 | E05 | 93500-05016-0H | 0 | E08 | 94050-06080 | 0 | F05 |
| 91051-KFBF-901 | 1 | F16 | 93600-04012-1G | 0 | F04 | 94050-06080 | 0 | F09 |
| 91101-1K79-711 | 1 | E07 | 93700-05018-0H | 0 | F02 | 94050-06080 | 0 | F10 |
| 91104-KGN7-671 | 0 | E01 | 93891-05016-06 | 0 | F11 | 94050-06080 | 0 | F19 |
| 91105-KGN7-672 | 0 | E01 | 93892-04006-08 | 0 | E07 | 94050-06080 | 0 | F21 |
| 91105-KGN7-672 | 0 | E05 | 93892-04008-18 | 0 | E09 | 94050-08080 | 0 | E02 |
| 91201-KKJ9-004 | 0 | E08 | 93892-05014-18 | 0 | E09 | 94050-08080 | 0 | F19 |
| 91202-KKJ9-004 | 0 | E01 | 93893-04012-18 | 0 | F04 | 94050-12080 | 0 | E06 |
| 91211-KEBE-900 | 0 | E06 | 93901-32220 | 0 | F18 | 94101-06200 | 0 | F14 |
| 91255-GLE0-006 | 0 | E05 | 93901-32320 | 0 | F17 | 94101-06700 | 0 | F14 |
| 91259-KFBF-900 | 0 | F16 | 93903-14360 | 0 | F12 | 94101-08600 | 0 | F15 |
| 91261-4E15-004 | 0 | E01 | 93903-25380 | 0 | F13 | 94111-05800 | 0 | E07 |
| 91301-0H28-001 | 0 | E02 | 93903-25480 | 0 | F13 | 94111-06800 | 0 | F14 |
| 91301-KGV7-671 | 0 | E08 | 93903-32210 | 0 | F17 | 94251-08400 | 0 | F15 |
| 91302-0A01-021 | 0 | E04 | 93903-34360 | 0 | F01 | 94301-08140 | 0 | E01 |
| 91302-5G67-004 | 0 | E04 | 93903-34360 | 0 | F03 | 94301-08140 | 0 | E04 |
| 91302-5G67-004 | 0 | E08 | 93903-34360 | 0 | F05 | 94301-08140 | 0 | E05 |

零件號碼索引

PART NO. INDEX

| 零件號碼 PART NO. | 版數 VERSION | 頁次 PAGE | 零件號碼 PART NO. | 版數 VERSION | 頁次 PAGE | 零件號碼 PART NO. | 版數 VERSION | 頁次 PAGE |
|------------------|---------------|------------|------------------|---------------|------------|------------------|---------------|------------|
| 94301-08140 | 0 | E08 | 95014-72204 | 0 | F15 | 96001-06022-08 | 0 | E03 |
| 94301-10160 | 0 | E02 | 95701-06010-00 | 0 | F16 | 96001-06022-08 | 0 | E08 |
| 94301-10160 | 0 | E03 | 95701-06012-08 | 0 | F04 | 96001-06028-08 | 0 | E07 |
| 94510-10000 | 0 | E07 | 95701-06012-08 | 0 | F06 | 96001-06028-08 | 0 | E08 |
| 94510-20000 | 0 | E05 | 95701-06012-08 | 0 | F10 | 96001-06032-08 | 0 | E02 |
| 94511-14000 | 0 | E01 | 95701-06012-08 | 0 | F12 | 96001-06035-08 | 0 | E05 |
| 94520-26000 | 0 | E08 | 95701-06012-08 | 0 | F18 | 96001-06040-08 | 0 | E01 |
| 94520-28000 | 0 | E06 | 95701-06012-08 | 0 | F20 | 96001-06040-08 | 0 | E04 |
| 94524-42000 | 0 | F16 | 95701-06012-08 | 0 | F21 | 96001-06040-08 | 0 | E05 |
| 94591-27000 | 0 | F05 | 95701-06016-08 | 0 | F21 | 96001-06045-08 | 0 | E02 |
| 94591-KFBF-900 | 2 | E08 | 95701-06022-06 | 1 | F15 | 96001-06045-08 | 0 | E04 |
| 94601-15000 | 0 | E03 | 95701-06022-06 | 1 | F04 | 96001-06050-08 | 0 | E01 |
| 94601-33000 | 0 | E06 | 95701-06025-08 | 0 | E02 | 96001-06060-08 | 0 | E01 |
| 94605-KHD8-900 | 0 | F22 | 95701-08012-08 | 0 | E01 | 96001-06110-08 | 0 | E01 |
| | | | 95701-08012-08 | 0 | E05 | 96001-06120-08 | 0 | E01 |
| | | | 95701-KEBE-E00 | 1 | F19 | 96001-06120-08 | 0 | E04 |
| 95000 | | | 95801-08030-08 | 0 | F16 | 96100-60000-00 | 0 | E08 |
| | | | 95801-08032-06 | 1 | F16 | 96100-62030-00 | 0 | E01 |
| 95001-35135-40 | 0 | F21 | 95801-08040-08 | 0 | F06 | 96211-05000 | 0 | F06 |
| 95002-02070 | 0 | E02 | 95801-08105-06 | 0 | F14 | 96211-08000 | 0 | F06 |
| 95002-02070 | 0 | F10 | 95801-10035-08 | 0 | F16 | 96220-60100 | 0 | E07 |
| 95002-02070 | 0 | F21 | | | | 96600-08015-10 | 1 | E07 |
| 95002-02080 | 0 | F10 | | | | | | |
| 95002-02080 | 0 | F13 | 96000 | | | 98000 | | |
| 95002-02100 | 0 | F10 | | | | | | |
| 95002-02100 | 0 | F21 | 96001-06008-07 | 0 | F14 | | | |
| 95002-02130 | 0 | F10 | 96001-06010-08 | 0 | E08 | 98069-5791R-00 | 0 | E02 |
| 95002-02130 | 0 | F13 | 96001-06012-08 | 0 | E01 | 98200-12000 | 0 | F12 |
| 95002-70000 | 0 | F21 | 96001-06014-08 | 0 | E07 | 98200-31000 | 0 | F19 |
| 95002-KGN7-910 | 1 | E03 | 96001-06014-08 | 0 | F10 | 98200-31500 | 0 | F19 |
| 95002-KGN7-910 | 1 | E08 | 96001-06016-08 | 0 | E02 | | | |
| 95002-KGN7-910 | 1 | F21 | 96001-06016-08 | 0 | E07 | | | |
| 95002-KHE7-900 | 0 | F21 | 96001-06018-08 | 0 | E03 | 99000 | | |
| 95003-23024-60 | 0 | F13 | 96001-06018-08 | 0 | E08 | | | |
| 95014-71402 | 0 | F15 | 96001-06020-08 | 0 | E08 | 99101-393-0980 | 0 | E09 |

零 件 號 碼 索 引

PART NO. INDEX

| 零 件 號 碼 PART NO. | 版 數 VERSION | 頁 次 PAGE | 零 件 號 碼 PART NO. | 版 數 VERSION | 頁 次 PAGE | 零 件 號 碼 PART NO. | 版 數 VERSION | 頁 次 PAGE |
|---------------------|----------------|-------------|---------------------|----------------|-------------|---------------------|----------------|-------------|
| D | | | | | | | | |
| D1310-853-0110 | 0 | E09 | | | | | | |
| K | | | | | | | | |
| K350-GY6-0200 | 0 | E09 | | | | | | |
| K6510-KBE-0100 | 0 | E09 | | | | | | |
| K785-KHD-0100 | 0 | E09 | | | | | | |
| K785-KHD-0200 | 0 | E09 | | | | | | |
| N | | | | | | | | |
| N413-30A00 | 0 | E09 | | | | | | |
| N425-9ZA00 | 0 | E09 | | | | | | |
| S | | | | | | | | |
| S362-0080 | 0 | E09 | | | | | | |
| S446-1210 | 0 | E09 | | | | | | |
| S506-0052 | 0 | E09 | | | | | | |
| S536-1050 | 0 | E09 | | | | | | |
| S7860-112-B000 | 0 | E09 | | | | | | |
| W | | | | | | | | |
| W1314-014-9901 | 0 | E09 | | | | | | |
| W1561-107-9920 | 0 | E09 | | | | | | |