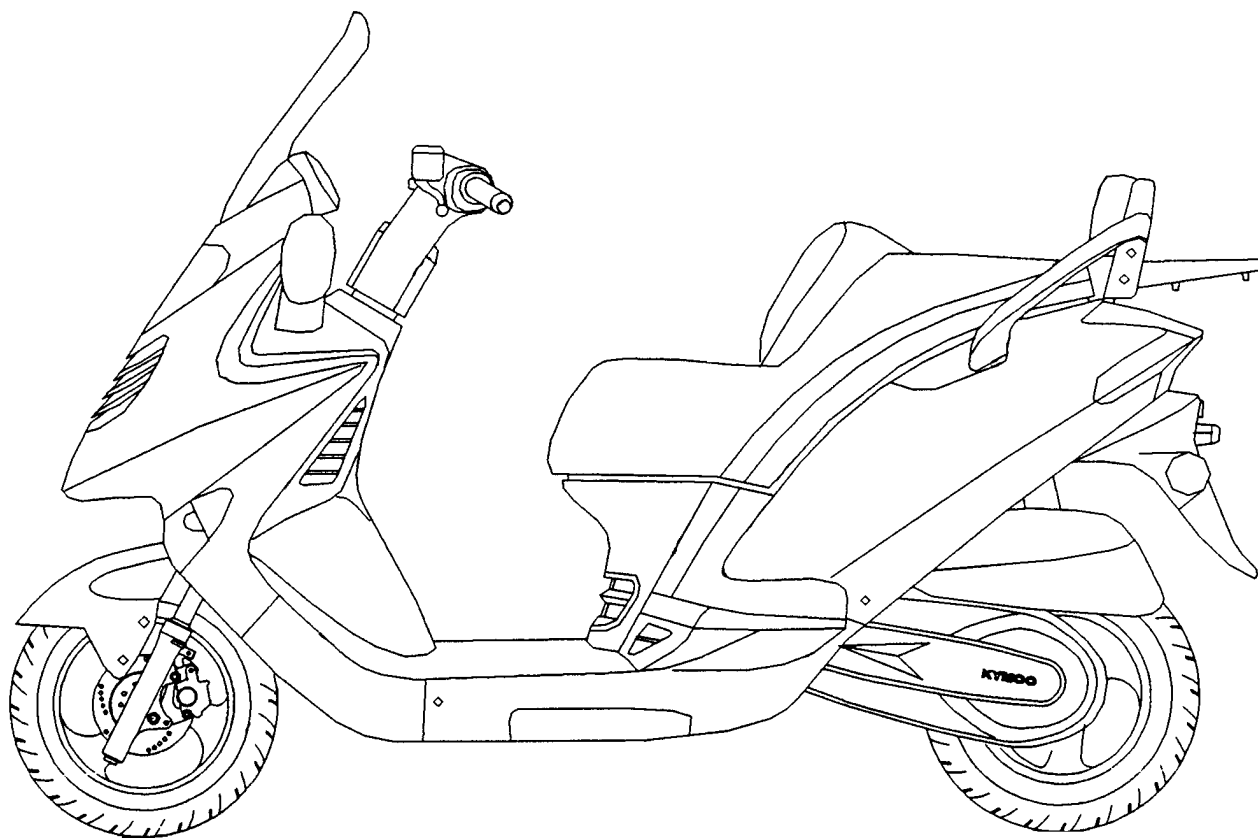




GRANDVISTA

零件型錄
PARTS CATALOGUE

SH50DG(US)



光陽機車

KYMCO

光陽機車

KYMCO

光陽機車

KYMCO

前 言

- 本零件目錄適用於 SH50DG(US) 機種，訂購零件時，請參照本冊。
- 本冊之配色表僅供參考，若與實車不符之處，以實車為準。
- 販賣記號(Sales mark)：
 - 1、註明 ★★ 記號，表示訂購該零件時，請參照機車相片及配色表，並請在基本零件號碼最後加上色碼。
 - 2、註明 ★ 記號，表示該零件為補修零件。
- 本冊付梓印刷倉促，倘有錯誤或遺漏之處，敬請不吝賜教指正。

ABOUT THIS PARTS LIST

- This parts list is compiled all service parts for model SH50DG(US)。
- Any difference between color chart and motorcycle will be revised according to motorcycle。
- The sales mark：
 - 1、marking "★★" must add color code in the end before ordering parts。
 - 2、marking "★" is a saleable item。
- When modification or additions to this parts list are made a revised edition at an appropriate time。

目 次

| | |
|----------------------|-----|
| ●前 言 | 1 |
| ●SH50DG(US)配色表 | 5 |
| ●引擎分組圖 | 7 |
| ●車架分組圖 | 9 |
| ●引擎零件號碼表 | 13 |
| ●車架零件號碼表 | 49 |
| ●零件號碼索引 | 133 |

CONTENTS

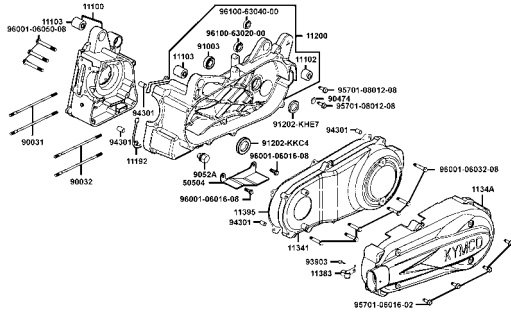
| | |
|----------------------------------|-----|
| ●ABOUT THIS PARTS LIST | 1 |
| ●COLOR CHART OF SH50DG(US) | 5 |
| ●CONTENTS-ENGINE GROUP | 7 |
| ●CONTENTS-FRAME GROUP | 9 |
| ●ENGINE PARTS LIST | 13 |
| ●FRAME PARTS LIST | 49 |
| ●PART NO. INDEX | 133 |

| 機種名稱 (MODEL) | | | | SH50DG(US) COLOR CHART | | | | | | |
|-------------------------------|----------------------|------------------|-------------|------------------------|--------------------|----------|--------------|--------------------|------------|-------------|
| 項次 | 相片號碼 (PHOTO NO) | | | NO.1 | NO.2 | NO.3 | NO.4 | NO.5 | NO.6 | NO.7 |
| NO | 主體色 (BASIC COLOR) | | | NH045MA | NH124MA | RR004CA | YG025MA | PB183MA | NH193PA | PB107MA |
| | 色碼 (CODE) | | | Bright Silver | Dark Gray Metallic | Ruby Red | Yellow Green | Deep Blue Metallic | Pear White | Bright Blue |
| | 色別零件名稱(PARTS NAME) | 基本零件號碼(PARTS NO) | 版數(VERSION) | 亮銀 | 深鐵灰 | 豔紅 | 黃綠 | 深藍 | 珍珠白 | 亮藍 |
| 1 | COVER SCREEN | 64301-KKC4-900 | 0 | N8P | NFP | R1P | W3P | BHP | NVP | BAM |
| 2 | COVER SET R SIDE | 83500-KKC4-800 | 2 | N8P | NFP | R1P | W3P | BHP | NVP | BAM |
| 3 | COVER SET L SIDE | 83600-KKC4-800 | 2 | N8P | NFP | R1P | W3P | BHP | NVP | BAM |
| 4 | MIRROR ASSY R BACK | 88110-KKC4-900 | 7 | N8P | NFP | R1P | W3P | BHP | NVP | BAM |
| 5 | MIRROR ASSY L BACK | 88120-KKC4-900 | 7 | N8P | NFP | R1P | W3P | BHP | NVP | BAM |
| 6 | SKIRT R SIDE | 64305-KKC4-900 | 2 | N8P | NFP | R1P | W3P | BHP | NVP | BAM |
| 7 | SKIRT L SIDE | 64306-KKC4-900 | 2 | N8P | NFP | R1P | W3P | BHP | NVP | BAM |
| 8 | MOLDING FR | 64302-KKC4-900 | 0 | N8P | NFP | R1P | W3P | BHP | NVP | BAM |
| 9 | FENDER FRONT | 61110-KKC4-M30 | 0 | N8P | NFP | R1P | W3P | BHP | NVP | BAM |
| 10 | COWL UNDER | 64400-KKC4-900 | 0 | N8P | NFP | R1P | W3P | BHP | NVP | BAM |
| 11 | COVER RR CENTER | 83750-KKC4-900 | 1 | N8P | NFP | R1P | W3P | BHP | NVP | BAM |
| 12 | METER COVER FR | 37203-KKC4-900 | 0 | N8P | N8P | N8P | N8P | N8P | N8P | N8P |
| 13 | METER COVER RR | 37204-KKC4-900 | 0 | N8P | N8P | N8P | N8P | N8P | N8P | N8P |
| 14 | COVER R HANDLE LOW | 53206-KKC4-900 | 1 | N1R | N1R | N1R | N1R | N1R | N1R | N1R |
| 15 | COVER L HANDLE LOW | 53207-KKC4-900 | 0 | N1R | N1R | N1R | N1R | N1R | N1R | N1R |
| 16 | LEG SHIELD | 81131-KKC4-900 | 0 | N1R | N1R | N1R | N1R | N1R | N1R | N1R |
| 17 | LID LEG SHIELD | 81132-KEB7-900 | 1 | N1R | N1R | N1R | N1R | N1R | N1R | N1R |
| 18 | FLOOR PANEL | 64310-KKC4-900 | 0 | N1R | N1R | N1R | N1R | N1R | N1R | N1R |
| 19 | COVER R PILLION STEP | 64311-KKC4-900 | 3 | N1R | N1R | N1R | N1R | N1R | N1R | N1R |
| 20 | COVER L PILLION STEP | 64321-KKC4-900 | 3 | N1R | N1R | N1R | N1R | N1R | N1R | N1R |
| 21 | MAT FLOOR | 64320-KKC4-900 | 0 | N1R | N1R | N1R | N1R | N1R | N1R | N1R |
| 22 | LID RESERVE TANK | 81136-KKC4-900 | 0 | N1R | N1R | N1R | N1R | N1R | N1R | N1R |
| 23 | GRID R LEG SHIELD | 53214-KKC4-900 | 0 | N1R | N1R | N1R | N1R | N1R | N1R | N1R |
| 24 | GRID L LEG SHIELD | 53224-KKC4-900 | 0 | N1R | N1R | N1R | N1R | N1R | N1R | N1R |
| 25 | GRIP R PILLION STEP | 64312-KKC4-900 | 3 | N1R | N1R | N1R | N1R | N1R | N1R | N1R |
| 26 | GRIP L PILLION STEP | 64322-KKC4-900 | 1 | N1R | N1R | N1R | N1R | N1R | N1R | N1R |
| 27 | COVER METER | 53204-KKC4-900 | 2 | N1R | N1R | N1R | N1R | N1R | N1R | N1R |
| 28 | COVER CENTER | 80151-KKC4-900 | 0 | N1R | N1R | N1R | N1R | N1R | N1R | N1R |
| 29 | GRID R LEG SHIELD | 81137-KKC4-900 | 0 | N1R | N1R | N1R | N1R | N1R | N1R | N1R |
| 30 | GRID L LEG SHIELD | 81147-KKC4-900 | 0 | N1R | N1R | N1R | N1R | N1R | N1R | N1R |
| 31 | LEVER R STRG HNDL | 53175-KFA5-E10 | 0 | M3A | M3A | M3A | M3A | M3A | M3A | M3A |
| 32 | LEVER L STRG HNDL | 53178-KFC8-E10 | 0 | M3A | M3A | M3A | M3A | M3A | M3A | M3A |
| 33 | COVER HANDLE UP | 53205-KKC4-900 | 0 | N8P | N8P | N8P | N8P | N8P | N8P | N8P |
| 34 | GRILL HANDLE UP | 53208-KKC4-900 | 0 | N8P | N8P | N8P | N8P | N8P | N8P | N8P |
| 35 | COVER L | 1134A-KHE7-900 | 3 | N8P | N8P | N8P | N8P | N8P | N8P | N8P |
| 36 | GRIP R HANDLE | 53140-KKC4-900 | 0 | N1R | N1R | N1R | N1R | N1R | N1R | N1R |
| 37 | GRIP L HANDLE | 53166-KGB5-900 | 0 | N1R | N1R | N1R | N1R | N1R | N1R | N1R |
| 38 | SIDE R GRIP | 81400-KKC4-900 | 0 | N1R | N1R | N1R | N1R | N1R | N1R | N1R |
| 39 | SIDE L GRIP | 81500-KKC4-900 | 0 | N1R | N1R | N1R | N1R | N1R | N1R | N1R |
| 40 | CALIPER ASSY RR | 43100-KKC4-900 | 0 | NJA | NJA | NJA | NJA | NJA | NJA | NJA |
| 41 | BODY CALIPER FR | 45200-KKC2-E00 | 1 | NJA | NJA | NJA | NJA | NJA | NJA | NJA |
| 42 | WHEEL FR CAST | 44650-KHD8-30A | 3 | NJA | NJA | NJA | NJA | NJA | NJA | NJA |
| 生產日期 (DATE OF STARTING-SALES) | | | | | | | | | 2007.06.21 | 2007.06.23 |

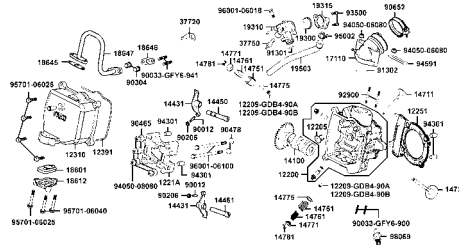
| | | | | | | | | |
|-------------------------------|--|--|--|--|--|--|------------|------------|
| 生產日期 (DATE OF STARTING-SALES) | | | | | | | 2007.06.21 | 2007.06.23 |
| 停產日期 (DATE OF ENDING-SALES) | | | | | | | | |

CONTENTS-ENGINE GROUP

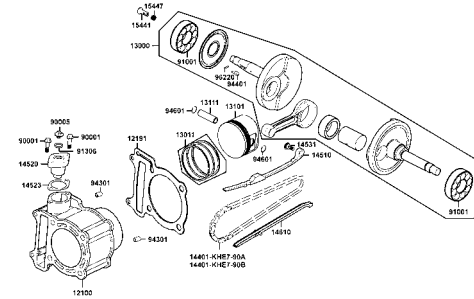
E01 曲軸箱 Crank Case



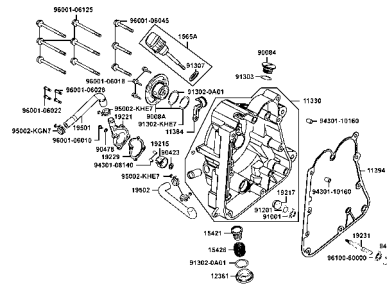
E02 汽缸頭蓋 汽缸頭 Cylinder Head Cover Cylinder Head



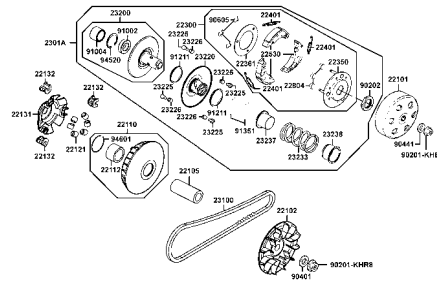
E03 汽缸 活塞 曲軸 Cylinder Piston Crankshaft



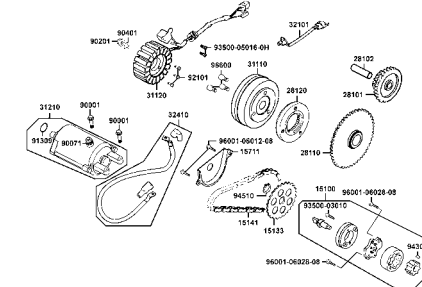
E04 右曲軸箱蓋 水泵 Right Crankcase Cover Water Pump



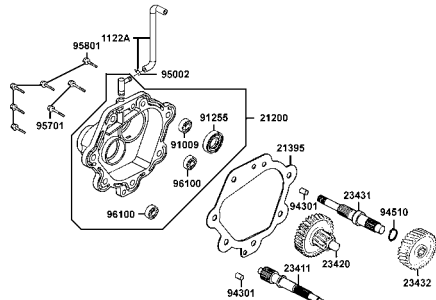
E05 皮帶輪 Transmission Pulley



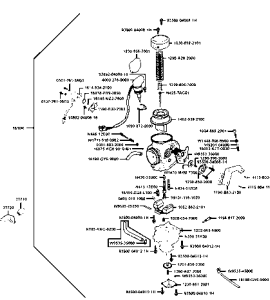
E06 起動馬達 發電機 Starting Motor Generator



E07 傳動系 Transmission

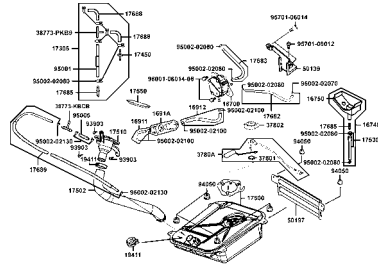


E08 化油器 Carburetor

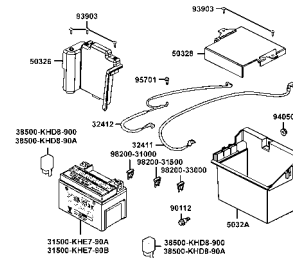


CONTENTS-FRAME GROUP

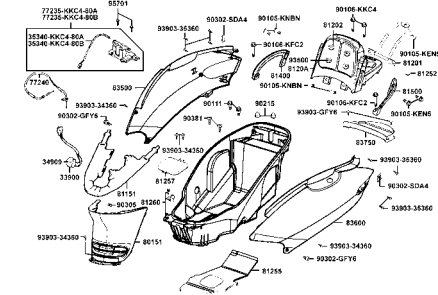
F10 油箱
Fuel Tank -79-



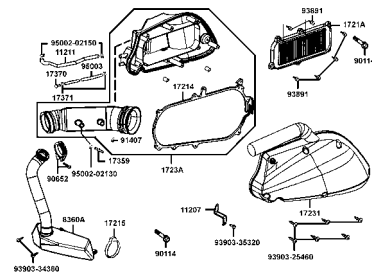
F11 電瓶
Battery -83-



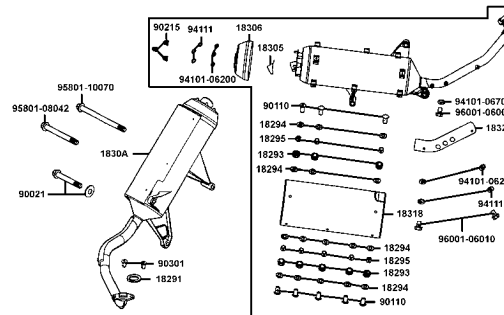
F12 車體蓋 行李箱
Body Cover Luggage Box -85-



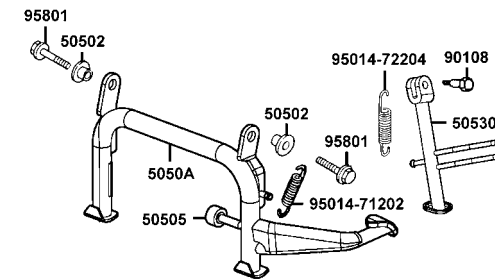
F13 空氣濾清器
Air Cleaner



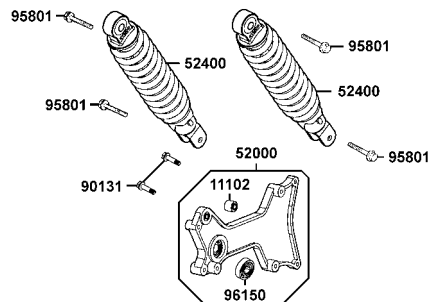
F14 排氣管
Exhaust Muffler



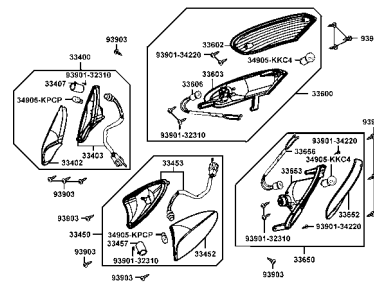
F15 腳架 起動踏桿
Stand Kick Starter Arm



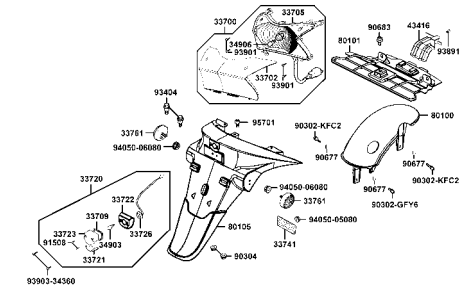
F16 後避震器
Rear Cushion



F17 前方向燈
Front Winker

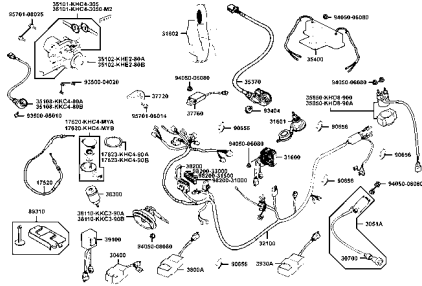


F18 後燈 後土除
Rear Light Rear Fender

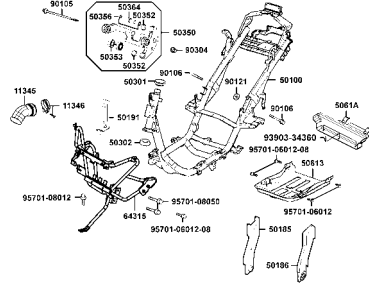


CONTENTS-FRAME GROUP

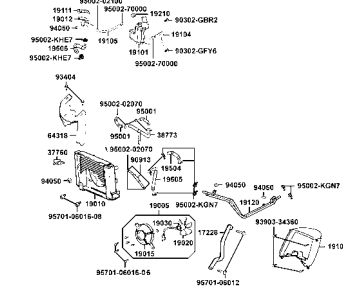
F19 主電路配線 Wire Harness



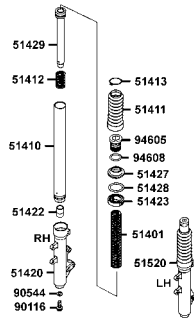
F20 車體 Frame Body



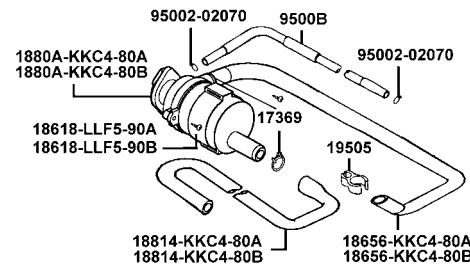
F21 水箱 Radiator



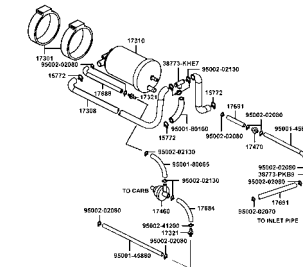
F22 前叉附件 Separated Parts Of Fr Fork



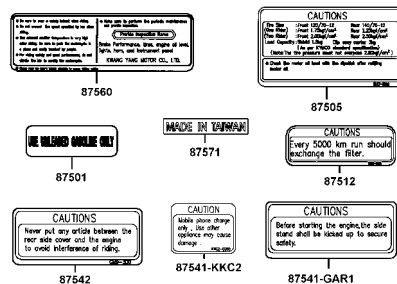
F23 二次空氣濾清器 Air Cleaner Two



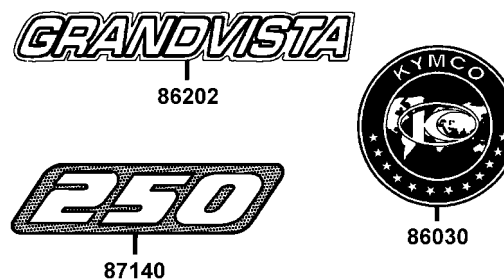
F24 活碳罐埋 Canister

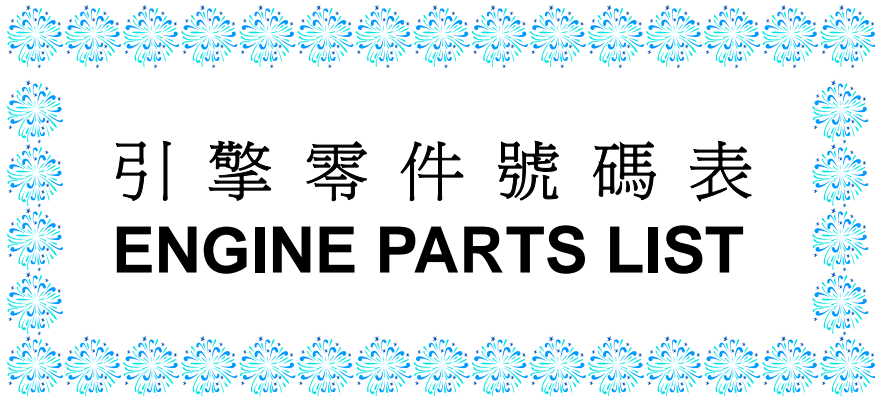


F25 注意標籤 Caution Label



F26 標徽 貼紙 Emblem Stripe

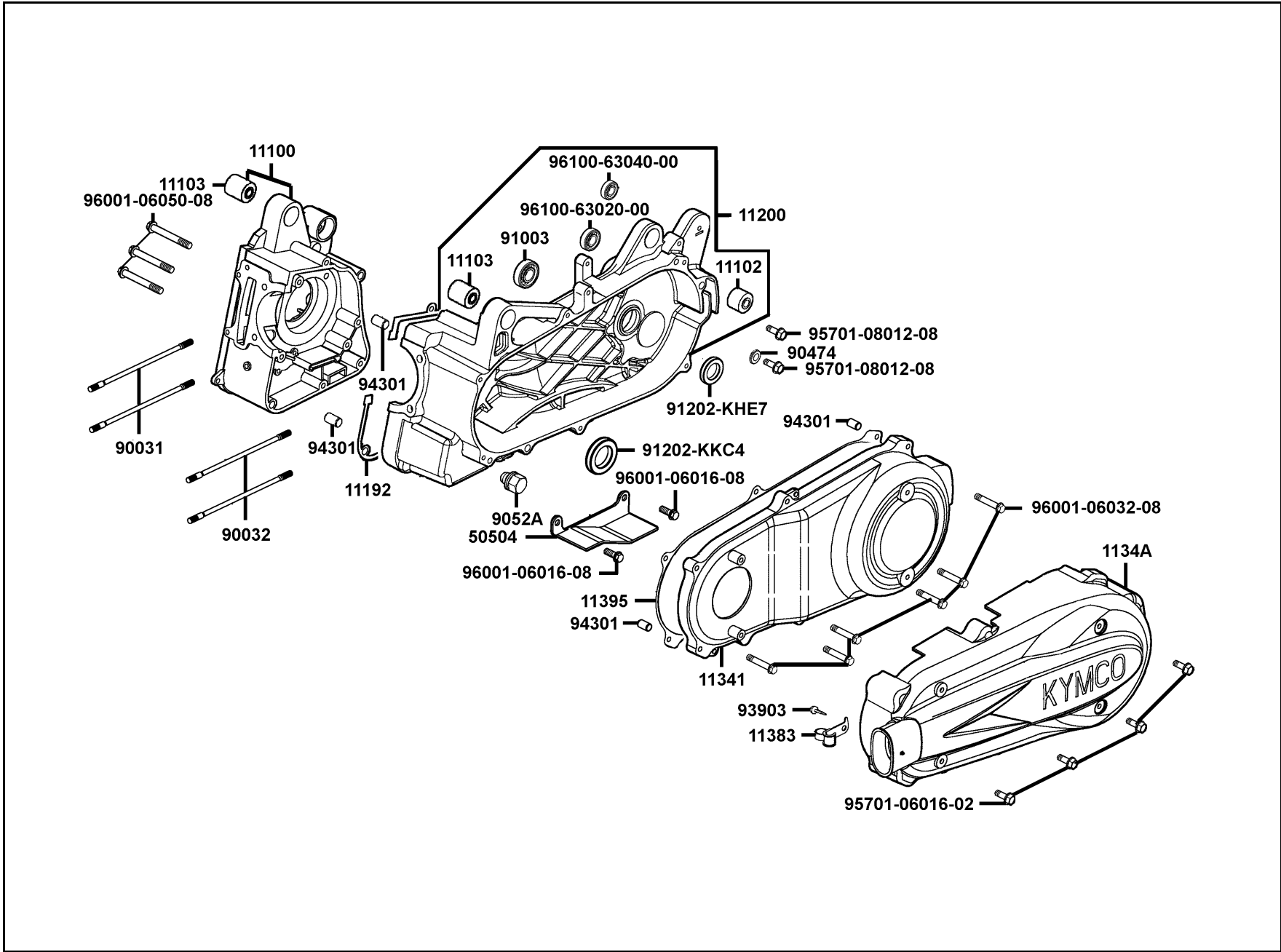




引擎零件號碼表
ENGINE PARTS LIST

E 01 Crank Case

曲
軸
箱

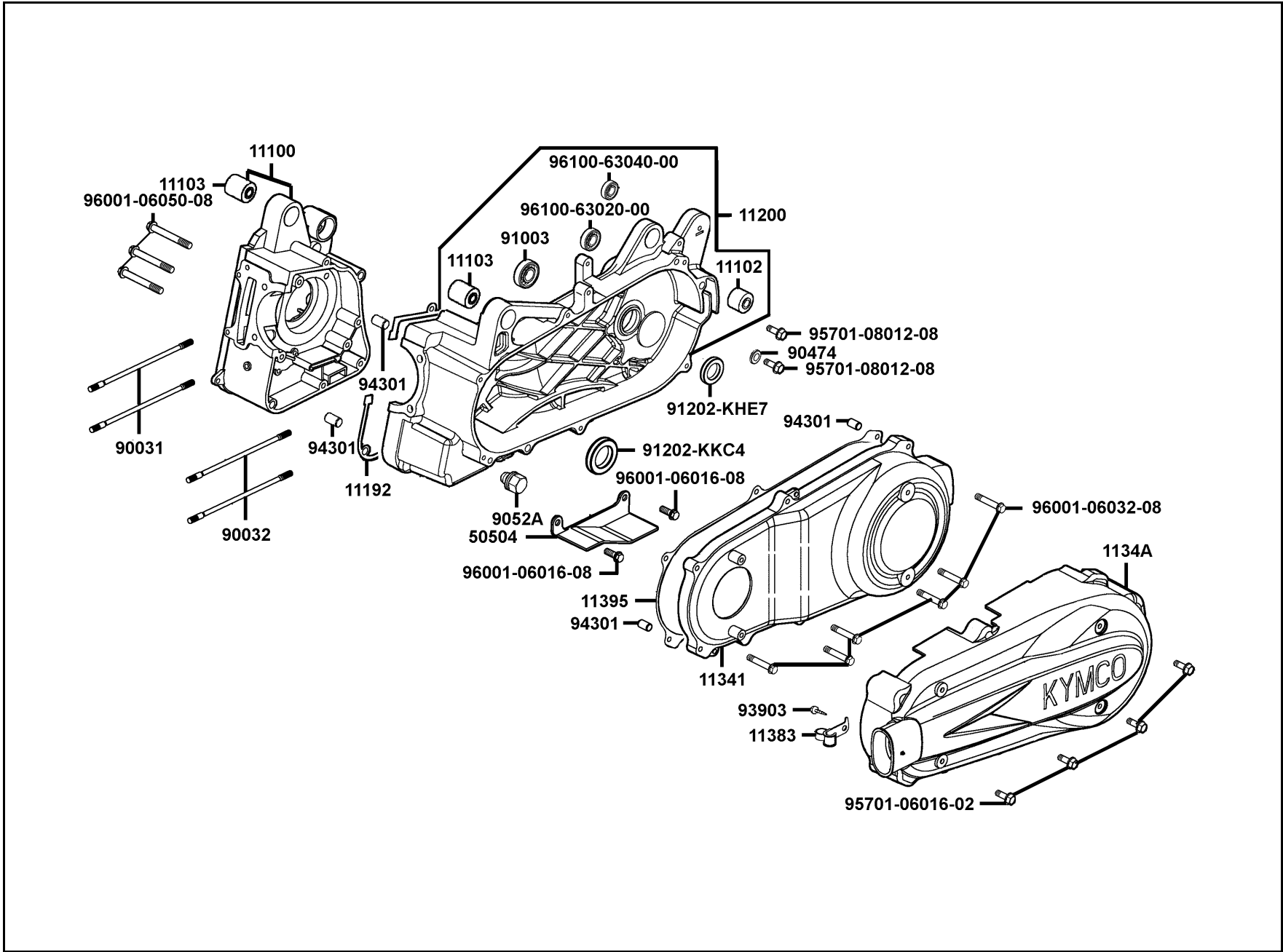


E01

| 販賣記號 Sales mark | 項目 Ref no | 零件號碼 Part no | 版數 Ver | 英文名稱 Description | 中文名稱 Chinese | 需要用量 Regd no | 參考價 Ref Price |
|-----------------------|--------------|-----------------|-----------|------------------------------|-----------------|-----------------|------------------|
| | | 11100-KHE7-305 | 5 | CASE SET R CRANK | 右曲軸箱 | 1 | |
| | | 11102-1G87-004 | 3 | RUB BUSH ENG HANGER | 引擎吊架襯套橡皮 | 1 | |
| | | 11103-KHE7-900 | 0 | RUB BUSH ENG HANGER | 引擎吊架襯套 | 2 | |
| | | 11192-KHE7-900 | 0 | GASKET CRANK CASE @ A | 曲軸箱墊片 | 1 | |
| | | 11200-KKC4-305 | 2 | CRANK CASE SET L | 左曲軸箱 | 1 | |
| | | 11341-KHE7-900 | 1 | COVER LEFT | 左曲軸箱蓋 | 1 | |
| ** | | 1134A-KHE7-900 | 3 | COVER COMP L COVER | 左曲軸箱蓋外蓋 | 1 | |
| | | 11383-KUDU-900 | 0 | CLAMPER BREATHER DRAIN TUBE | 通氣管夾 | 1 | |
| | | 11395-KHE7-900 | 0 | GASKET L COVER @ A | 左曲軸箱蓋墊片 A | 1 | |
| | | 50504-KKC4-900 | 2 | STAY COMP MAIN STAND STOPPER | 主腳架制止板 | 1 | |
| | | 90031-KEBE-900 | 0 | BOLT A STUD 8MM | 雙頭螺絲 8MM | 2 | |
| | | 90032-KEBE-900 | 0 | BOLT B STUD 8MM | 雙頭螺絲 8MM | 2 | |
| | | 90474-3C33-001 | 1 | WASHER 8MM | 華司 8MM | 1 | |
| | | 9052A-GFY6-950 | 1 | BOLT ASSY DRAIN PLUG | 洩油螺絲 | 1 | |
| | | 91003-KHE7-900 | 0 | BRG BALL RADIAL | 軸承 | 1 | |
| | | 91202-KHE7-900 | 0 | OIL SEAL 22*34*6 | 油封 22*34*6 | 1 | |
| | | 91202-KKC4-900 | 0 | OIL SEAL 27*42*7 | 油封 27*42*7 | 1 | |
| | | 93903-45360 | 0 | SCREW TAPPING 5*16 | 螺絲 5*16 | 1 | |
| | | 94301-10160 | 0 | DOWEL PIN 10*16 | 定位銷 10*16 | 4 | |
| | | 95701-06016-02 | 0 | BOLT FLANGE 6*16 | 螺絲 6*16 | 4 | |

E 01 Crank Case

曲
軸
箱



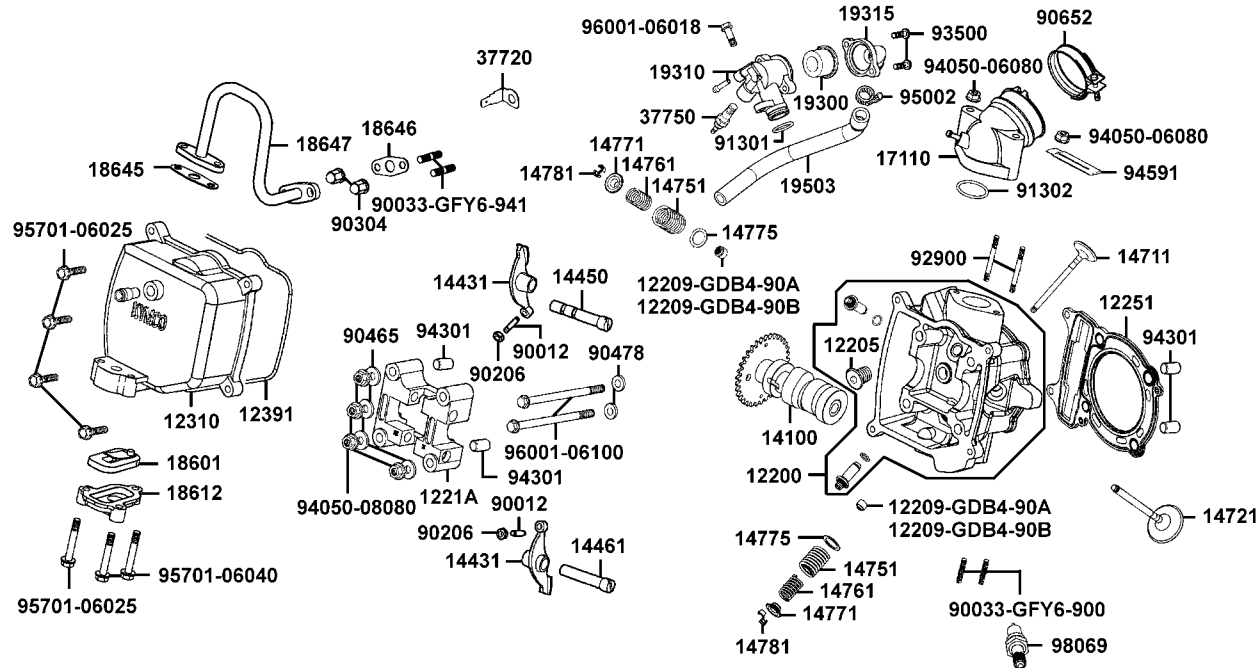
E01

| 販賣記號 Sales mark | 項目 Ref no | 零件號碼 Part no | 版數 Ver | 英文名稱 Description | 中文名稱 Chinese | 需要用量 Regd no | 參考價 Ref Price |
|-----------------------|--------------|-----------------|-----------|----------------------|-----------------|-----------------|------------------|
| | | 95701-08012-08 | 0 | BOLT FLANGE 8*12 | 螺絲 8*12 | 2 | |
| | | 96001-06016-08 | 0 | BOLT FLANGE SH 6*16 | 螺絲 6*16 | 2 | |
| | | 96001-06032-08 | 0 | BOLT FLANGE SH 6*32 | 螺絲 6*32 | 6 | |
| | | 96001-06050-08 | 0 | BOLT FLANGE 6*50 | 螺絲 6*50 | 3 | |
| | | 96100-63020-00 | 0 | BRG BALL RADIAL 6302 | 軸承 6302 | 1 | |
| | | 96100-63040-00 | 1 | BRG BALL RADIAL 6304 | 軸承 6304 | 1 | |

E 02

Cylinder Head Cover Cylinder Head

汽缸頭蓋
汽缸頭



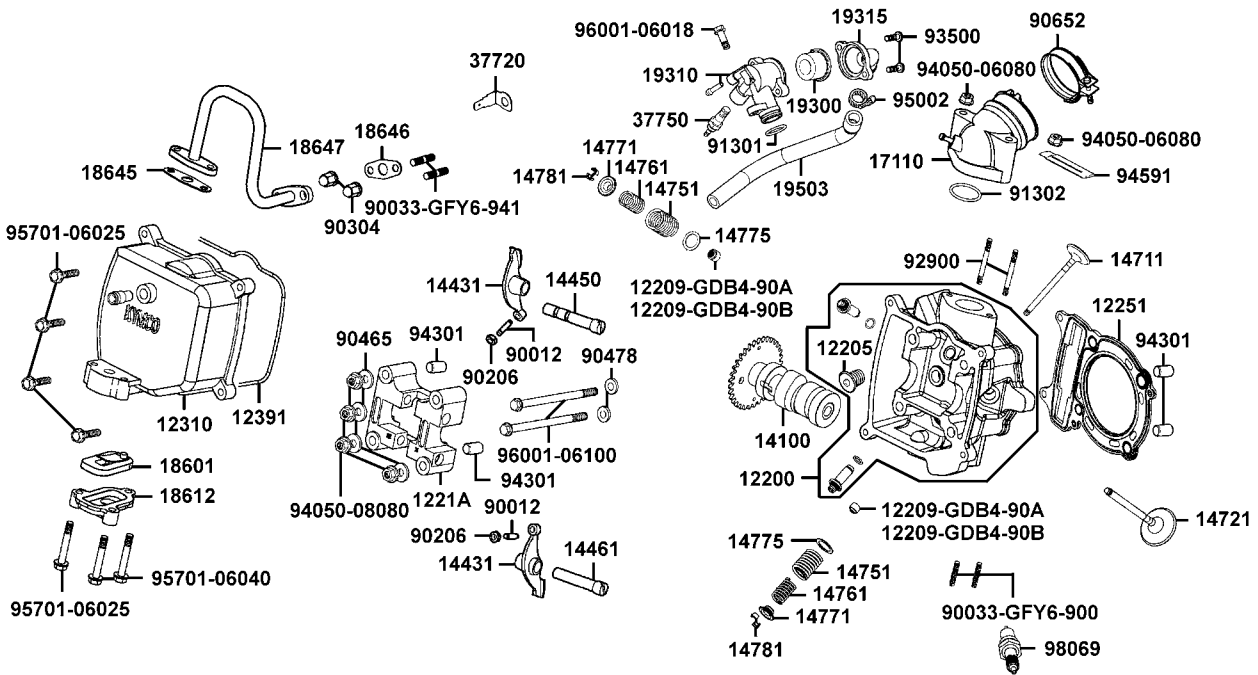
| 販賣記號 Sales mark | 項目 Ref no | 零件號碼 Part no | 版數 Ver | 英文名稱 Description | 中文名稱 Chinese | 需要用量 Regd no | 參考價 Ref Price |
|-----------------------|--------------|-----------------|-----------|--------------------------|-----------------|-----------------|------------------|
| | | 12200-KHE7-900 | 3 | HEAD COMP CYLN | 汽缸頭 | 1 | |
| | | 12205-KHE8-301 | 1 | BOLT SEALING 12MM | 封閉螺栓 | 1 | |
| | | 12209-GDB4-68A | 0 | SEAL VALVE STEM | 門閥徑封 | 2 | |
| | | 12209-GDB4-68B | 0 | SEAL VALVE STEM | 門閥徑封 | 2 | |
| | | 1221A-KHE7-900 | 1 | HOLDER COMP CAM SHAFT | 凸輪軸固定座 | 1 | |
| | | 12251-KHE7-901 | 1 | GASKET CYLINDER HEAD | 汽缸頭墊片 | 1 | |
| | | 12310-KHE7-900 | 1 | COVER COMP CYLN HEAD | 汽缸頭蓋 | 1 | |
| | | 12391-KHE7-900 | 0 | GASKET HEAD COVER | 汽缸頭蓋墊圈 | 1 | |
| | | 14100-KHE7-220 | 0 | SHAFT COMP CAM | 凸輪軸 | 1 | |
| | | 14431-KHE7-900 | 0 | ARM VALVE ROCKER | 門閥搖臂 | 2 | |
| | | 14450-KEBE-900 | 0 | SHAFT COMP IN ROCKER ARM | 進氣閥搖臂軸 | 1 | |
| | | 14461-KHE7-900 | 0 | SHAFT EX ROCKER | 排氣閥搖臂軸 | 1 | |
| | | 14711-KHE7-900 | 0 | VALVE INLET | 進氣門閥 | 1 | |
| | | 14721-KHE7-900 | 1 | VALVE EXHAUST | 排氣門閥 | 1 | |
| | | 14751-KHE7-900 | 0 | SPG VALVE OUTER | 門閥外彈簧 | 2 | |
| | | 14761-KHE7-900 | 0 | SPG VALVE INNER | 門閥內彈簧 | 2 | |
| | | 14771-GDB4-680 | 2 | RETAINER VALVE SPRING | 閥門彈簧保持器 | 2 | |
| | | 14775-MFA6-001 | 0 | SEAT VALVE SPG OUTER | 門閥彈簧外座 | 2 | |
| | | 14781-MFA6-001 | 0 | COTTER VALVE | 閥門鎖扣 | 4 | |
| | | 17110-KHE7-900 | 3 | PIPE COMP INLET | 進氣管 | 1 | |

E02

E 02

Cylinder Head Cover Cylinder Head

汽缸頭蓋
汽缸頭



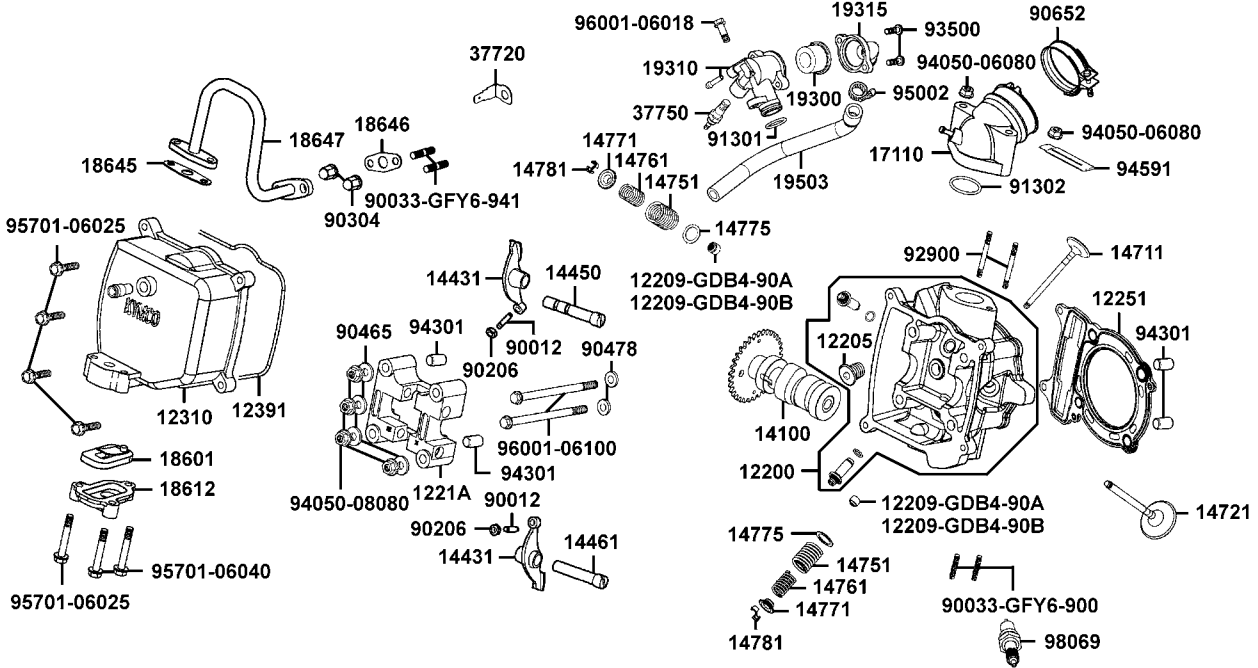
E02

| 販賣記號 Sales mark | 項目 Ref no | 零件號碼 Part no | 版數 Ver | 英文名稱 Description | 中文名稱 Chinese | 需要用量 Regd no | 參考價 Ref Price |
|-----------------------|--------------|-----------------|-----------|-------------------------------|-----------------|-----------------|------------------|
| | | 18601-MAJ1-791 | 1 | REED VALVE COMP | 簧片單向閥 | 1 | |
| | | 18612-GFY6-941 | 0 | COVER REED VALVE | 簧片單向閥蓋 | 1 | |
| | | 18645-GFY6-941 | 0 | GSKT A/I PIPE | 通氣管墊片 | 1 | |
| | | 18646-GFY6-941 | 0 | GAKT A/I PIPE | 通氣管墊片 | 1 | |
| | | 18647-KHE7-900 | 1 | PIPE COMP AIR | 通氣鐵管 | 1 | |
| | | 19300-KAE1-004 | 1 | THERMOSTAT ASSY | 恆溫器 | 1 | |
| | | 19310-KHE7-900 | 1 | CASE COMP THERMOSTAT | 恆溫器室 | 1 | |
| | | 19315-KHE7-900 | 0 | COVER THERMOSTAT | 恆溫器蓋 | 1 | |
| | | 19503-KHE7-900 | 1 | HOSE C WATER | 冷卻水管 | 1 | |
| | | 37720-KGB5-900 | 0 | EARTH TERMINAL THERMO | 恆溫器座 | 1 | |
| | | 37750-PAC1-005 | 0 | THERMO UNIT ASSY | 自動控溫器 | 1 | |
| | | 90012-3C33-001 | 0 | SCREW TAPPET ADJUSTING | 樞軸調整螺絲 | 2 | |
| | | 90033-GFY6-900 | 0 | BOLT STUD 8*32 | 螺絲 6*16 | 2 | |
| | | 90033-GFY6-941 | 0 | BOLT STUD 6*16 | 特殊螺絲 6*16 | 2 | |
| | | 90206-0A01-001 | 1 | NUT TAPPET ADJUSTING | 挺桿調整螺帽 | 2 | |
| | | 90304-4H38-001 | 2 | NUT HEX CAP 6MM | 螺帽 6MM | 2 | |
| | | 90465-MDC4-001 | 0 | WASHER 8MM | 華司 8MM | 4 | |
| | | 90478-7L00-001 | 0 | WASHER A 6MM | 華司 6MM | 2 | |
| | | 90652-GFY6-901 | 1 | BAND 49 AIR/C CONNECTING TUBE | 連接管固定帶 | 1 | |
| | | 91301-KHE7-900 | 0 | O-RING 17.8*1.9 | O環 17.8*1.9 | 1 | |

E02

Cylinder Head Cover Cylinder Head

汽缸頭蓋
汽缸頭



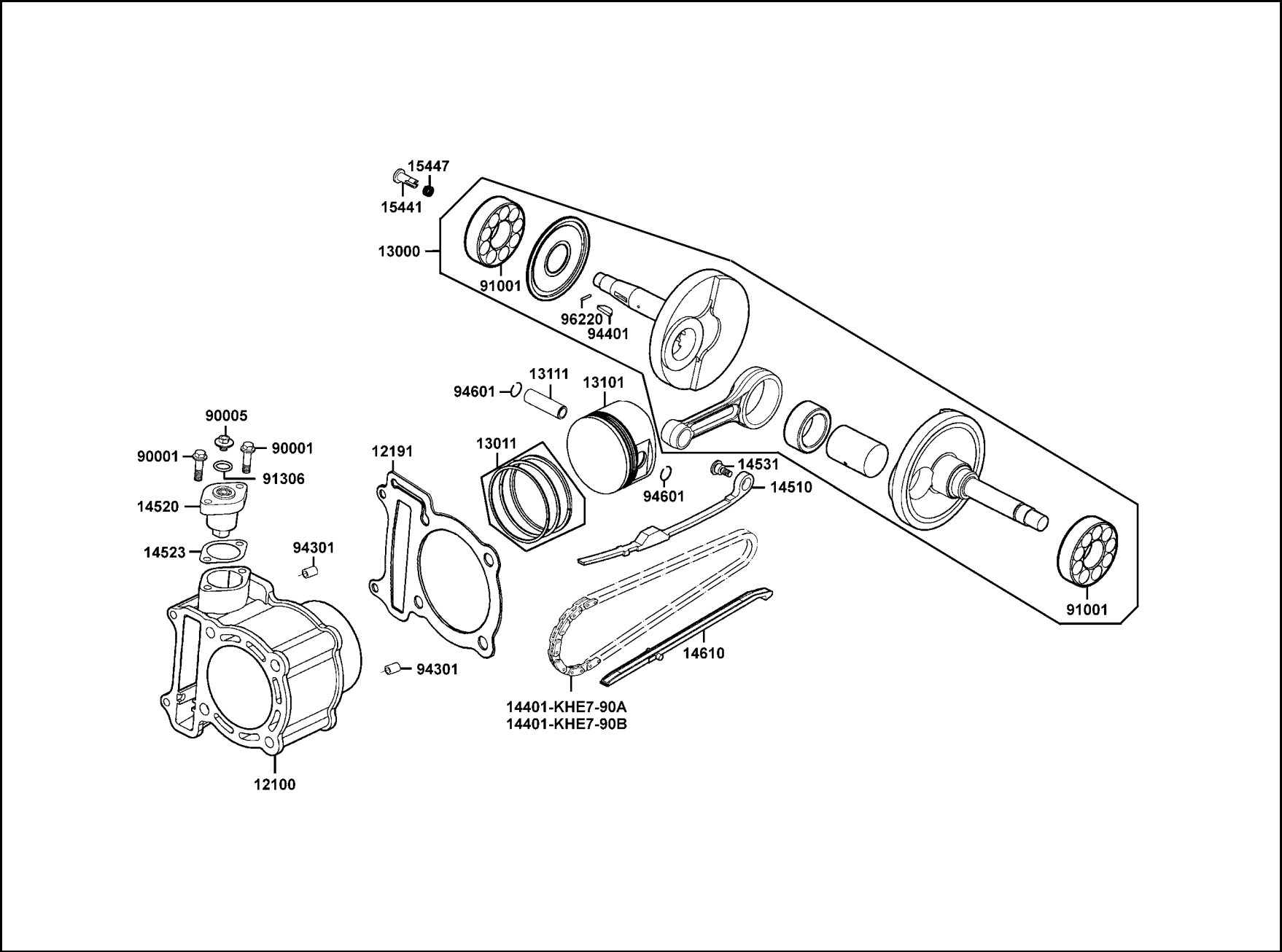
E02

| 販賣記號 Sales mark | 項目 Ref no | 零件號碼 Part no | 版數 Ver | 英文名稱 Description | 中文名稱 Chinese | 需要用量 Regd no | 參考價 Ref Price |
|-----------------------|--------------|-----------------|-----------|-----------------------|-----------------|-----------------|------------------|
| | | 91302-2L00-001 | 0 | O-RING 33.5*3 | O環 33.5*3 | 1 | |
| | | 92900-06050-0B | 0 | BOLT STUD II 6*50 | 雙頭螺絲 6*50 | 2 | |
| | | 93500-05016-0H | 0 | SCREW PAN 5*16 | 螺絲 5*16 | 2 | |
| | | 94050-06080 | 0 | NUT FLANGE 6MM | 特殊螺帽 6MM | 2 | |
| | | 94050-08080 | 0 | NUT FLANGE 8MM | 螺帽 8MM | 4 | |
| | | 94301-10160 | 0 | DOWEL PIN 10*16 | 定位銷 10*16 | 4 | |
| | | 94591-KFBF-900 | 2 | CLIP 2*71 | 配線夾 2*71 | 1 | |
| | | 95002-KHE7-900 | 0 | CLIP WATER HOSE | 水管夾 | 1 | |
| | | 95701-06025-08 | 0 | BOLT FLANGE 6*25 | 螺絲 6*25 | 5 | |
| | | 95701-06040-08 | 0 | BOLT FLANGE 6*40 | 螺絲 6*40 | 2 | |
| | | 96001-06018-08 | 0 | BOLT FLANGE SH 6*18 | 螺絲 6*18 | 1 | |
| | | 96001-06100-08 | 0 | BOLT FLANGE SH 6*100 | 特殊螺絲 6*100 | 2 | |
| | | 98069-5791R-00 | 0 | SPARK PLUG DPR(7EA-9) | 火星塞 | 1 | |

E03

Cylinder Piston Crankshaft

汽缸
活塞
曲軸

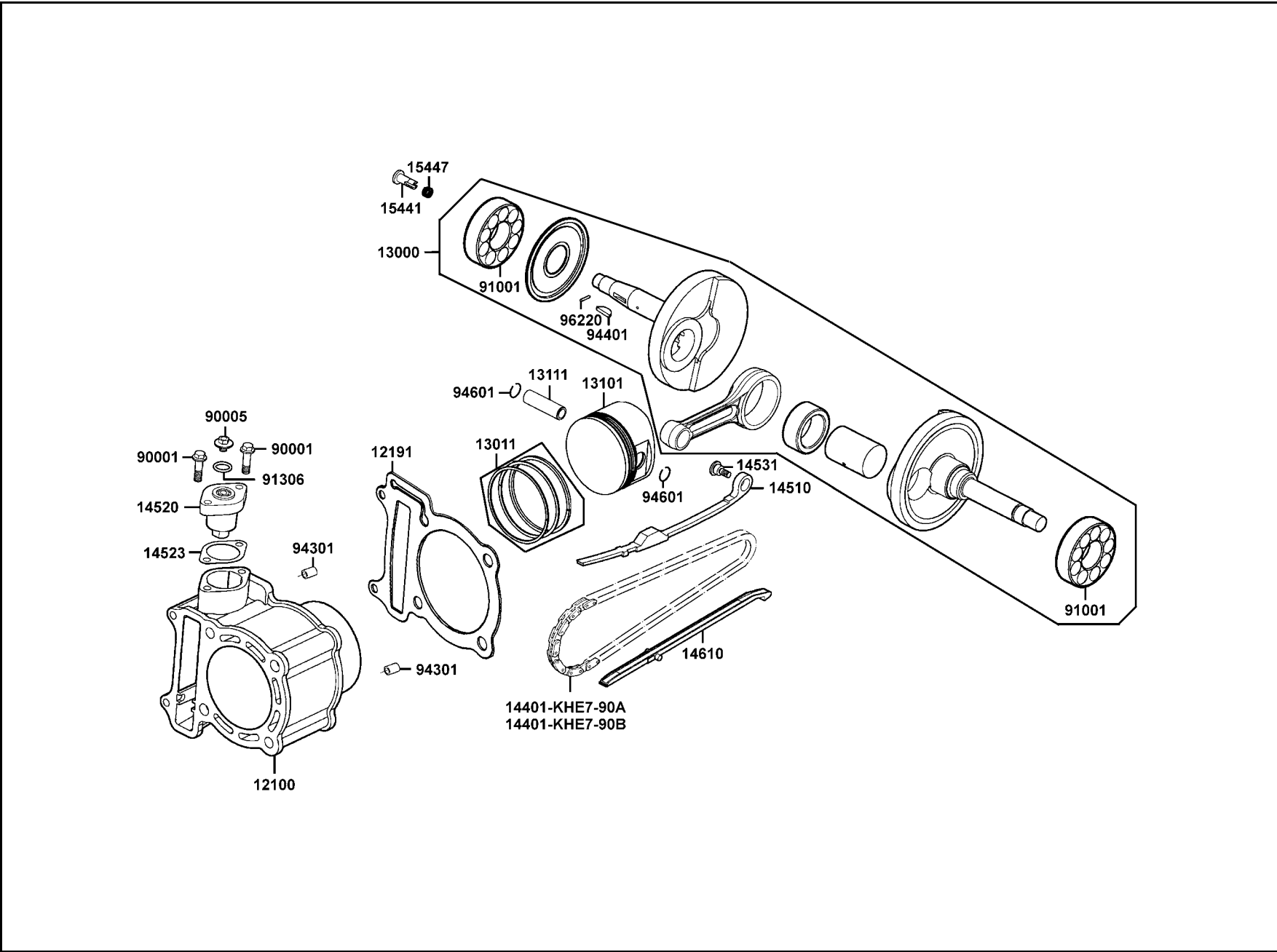


| 販賣記號 Sales mark | 項目 Ref no | 零件號碼 Part no | 版數 Ver | 英文名稱 Description | 中文名稱 Chinese | 需要用量 Regd no | 參考價 Ref Price |
|-----------------------|--------------|-----------------|-----------|----------------------------|-----------------|-----------------|------------------|
| | | 12100-KHE7-900 | 5 | CYLINDER COMP | 汽缸 | 1 | |
| | | 12191-KHE7-910 | 0 | GASKET CYLINDER | 汽缸墊片 | 1 | |
| | | 13000-KHE7-900 | 11 | CRANK SHAFT COMP | 曲軸 | 1 | |
| | | 13011-KHE7-900 | 0 | RING SET PISTON | 活塞環 | 1 | |
| | | 13101-KHE7-900 | 5 | PISTON | 活塞 | 1 | |
| | | 13111-KHE7-900 | 2 | PIN PISTON | 活塞銷 | 1 | |
| | | 14401-KHE7-90A | 0 | CHAIN CAM | 凸輪軸驅動鏈條 | 1 | |
| | | 14401-KHE7-90B | 0 | CHAIN CAM | 凸輪軸驅動鏈條 | 1 | |
| | | 14510-KHE7-900 | 0 | TENSIONER CAM CHAIN | 凸輪軸內鏈條拉力桿 | 1 | |
| | | 14520-GFY6-90A | 1 | LIFTER ASSY TENSIONER | 內鏈條調整器 | 1 | |
| | | 14523-GFY6-901 | 0 | GASKET TENSIONER LIFTER @A | 內鏈條調整器墊片 | 1 | |
| | | 14531-KHE7-900 | 0 | PIVOT CAM CHAIN TENSIONER | 拉力桿螺絲 | 1 | |
| | | 14610-KHE7-900 | 0 | GUIDE COMP CAM CHAIN | 鏈條導件 | 1 | |
| | | 15441-1K49-001 | 0 | OIL THROUGH | 通油器 | 1 | |
| | | 15447-1K49-001 | 0 | SPG OIL THROUGH | 通油器彈簧 | 1 | |
| | | 90001-GHHB-661 | 0 | BOLT FLANGE SHF 6*22 | 螺絲 6*22 | 2 | |
| | | 90005-KEC8-900 | 1 | BOLT SPECIAL 6*6 | 特殊螺絲 6*6 | 1 | |
| | | 91001-KHE7-900 | 0 | BRG BALL RADIAL | 軸承 | 2 | |
| | | 91306-1E05-691 | 0 | O-RING 1.5*9.5 | O環 1.5*9.5 | 1 | |
| | | 94301-10160 | 0 | DOWEL PIN 10*16 | 定位銷 10*16 | 2 | |

E03

Cylinder●Piston●Crankshaft

汽缸
活塞
曲軸



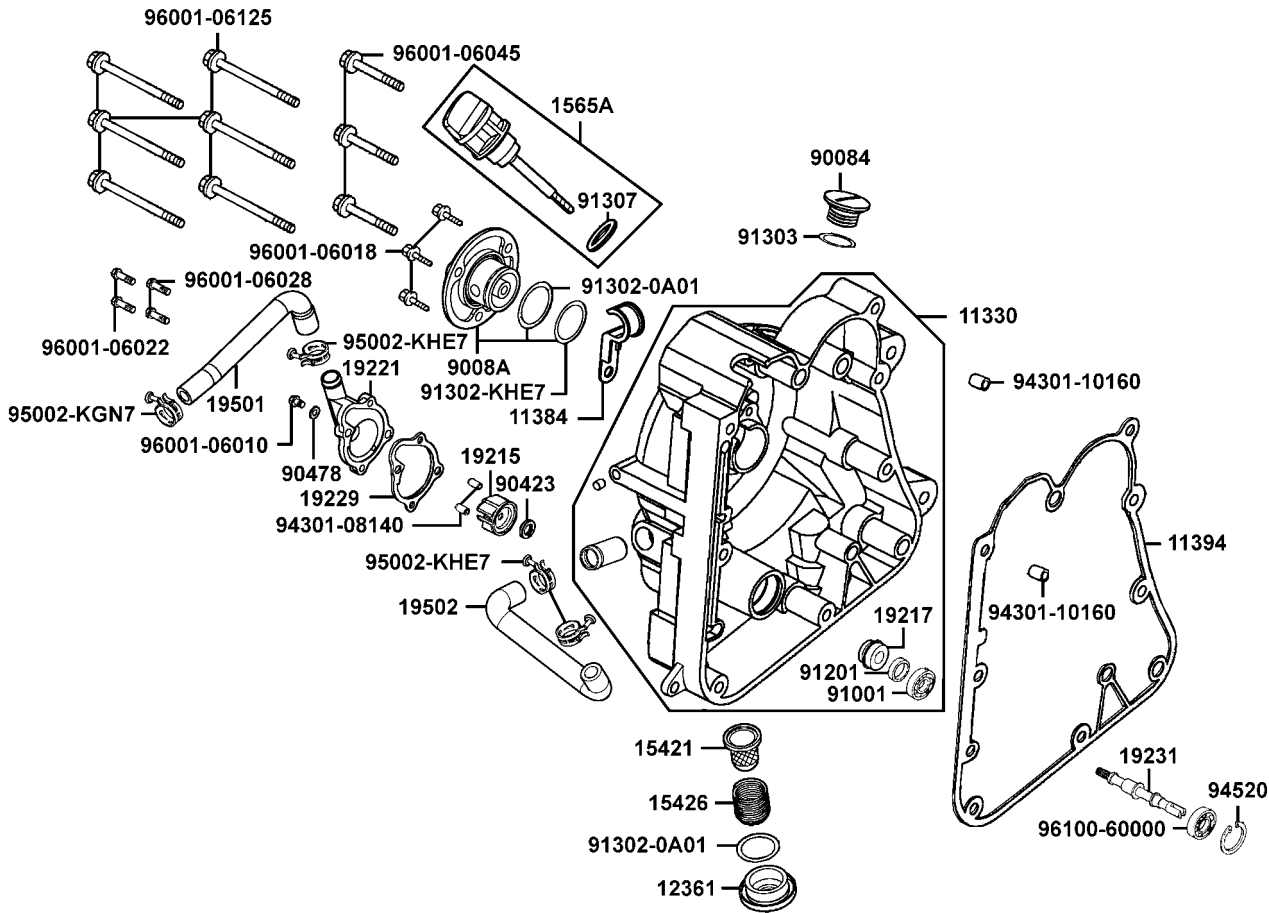
E03

| 販賣記號 Sales mark | 項目 Ref no | 零件號碼 Part no | 版數 Ver | 英文名稱 Description | 中文名稱 Chinese | 需要用量 Regd no | 參考價 Ref Price |
|-----------------------|--------------|-----------------|-----------|----------------------|-----------------|-----------------|------------------|
| | | 94401-25140 | 4 | WOODRUFF KEY 25*14 | 固定鍵 25*14 | 1 | |
| | | 94601-17000 | 0 | CLIP PISTON PIN 17MM | 活塞銷環夾 17MM | 2 | |
| | | 96220-20118 | 0 | ROLLER 2*11.8 | 滾子 2*11.8 | 1 | |

E04

Right Crankcase Cover Water Pump

右曲軸箱蓋
水泵



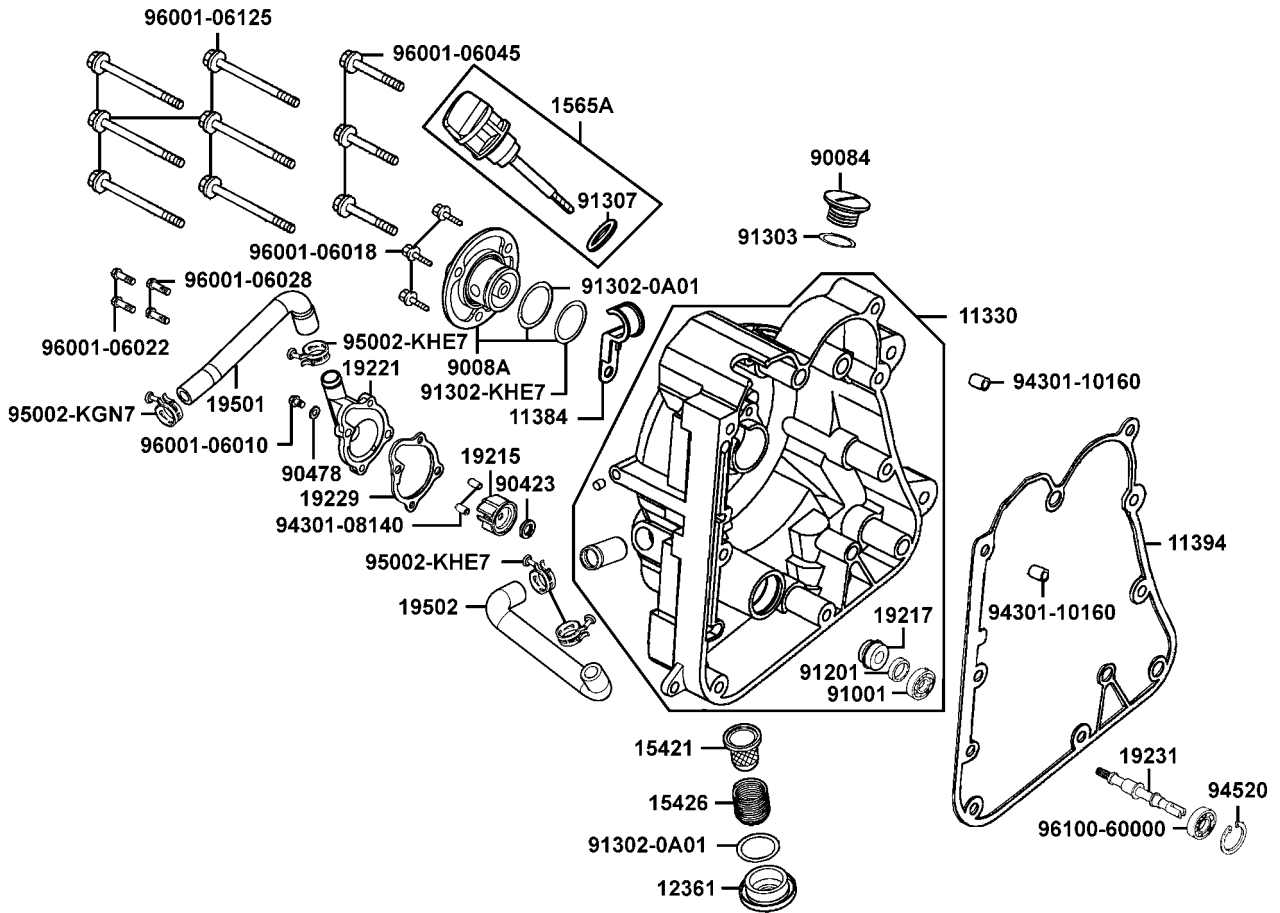
E04

| 販賣記號 Sales mark | 項目 Ref no | 零件號碼 Part no | 版數 Ver | 英文名稱 Description | 中文名稱 Chinese | 需要用量 Regd no | 參考價 Ref Price |
|-----------------------|--------------|-----------------|-----------|---------------------------|-----------------|-----------------|------------------|
| | | 11330-KHE7-900 | 6 | COVER COMP RIGHT | 右曲軸箱蓋 | 1 | |
| | | 11384-KHE7-900 | 1 | CLAMPER A RR BRK HOSE | 後煞車油管夾 A | 1 | |
| | | 11394-KHE7-900 | 1 | GASKET R COVER @ A | 右曲軸箱蓋墊片 A | 1 | |
| | | 12361-GFY6-901 | 0 | HOLE CAP TAPPET ADJUSTING | 調節螺帽 | 1 | |
| | | 15421-1G07-001 | 1 | SCREEN OIL FILTER | 濾油網 | 1 | |
| | | 15426-GAE1-921 | 0 | SPG OIL FILTER SCREEN | 濾油網彈簧 | 1 | |
| | | 1565A-KEBE-900 | 0 | GAUGE OIL LEVEL ASSY | 機油尺組 | 1 | |
| | | 19215-KHE7-900 | 0 | IMPELLER WATER PUMP | 水泵葉輪 | 1 | |
| | | 19217-6G57-024 | 0 | SEAL MECHANICAL | 機械油封 | 1 | |
| | | 19221-KHE7-900 | 2 | COVER WATER PUMP | 水泵蓋 | 1 | |
| | | 19229-KHE7-900 | 0 | GASKET WATER PUMP | 水泵墊片 | 1 | |
| | | 19231-KKJ9-011 | 0 | SHAFT WATER PUMP | 水泵樞軸 | 1 | |
| | | 19501-KHE7-900 | 0 | HOSE A WATER | 冷卻水管 A | 1 | |
| | | 19502-KHE7-900 | 0 | HOSE B WATER | 冷卻水管 B | 1 | |
| | | 90084-4H28-001 | 0 | CAP A.C.G | A.C.G. 蓋 | 1 | |
| | | 9008A-KHE7-900 | 0 | CAP ASSY R COVER | 蓋組 | 1 | |
| | | 90423-KKJ9-001 | 0 | WASHER 7.2*13*1.2 | 華司 7.2*13*1.2 | 1 | |
| | | 90478-7L00-001 | 0 | WASHER A 6MM | 華司 6MM | 1 | |
| | | 91001-KKJ9-006 | 0 | BEARING BALL RADIAL 6901 | 軸承 6901 | 1 | |
| | | 91201-KKJ9-004 | 0 | OIL SEAL 12*20*4 | 油封 12*20*4 | 1 | |

E04

Right Crankcase Cover Water Pump

右曲軸箱蓋
水泵

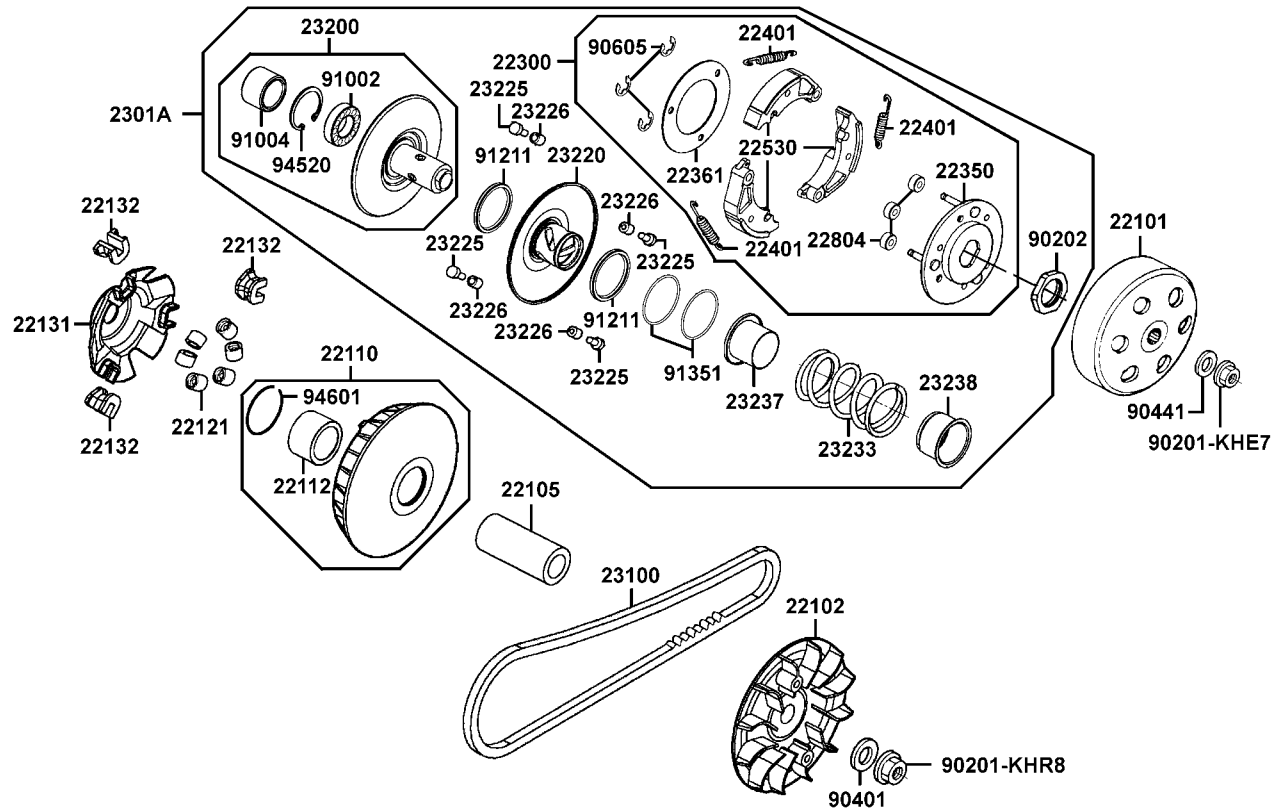


E04

| 販賣記號 Sales mark | 項目 Ref no | 零件號碼 Part no | 版數 Ver | 英文名稱 Description | 中文名稱 Chinese | 需要用量 Regd no | 參考價 Ref Price |
|-----------------------|--------------|-----------------|-----------|--------------------------|-----------------|-----------------|------------------|
| | | 91302-0A01-021 | 0 | O-RING 30.8M/M | O環 30.8MM | 2 | |
| | | 91302-KHE7-900 | 0 | O-RING 27.4*2.1MM | O環 27.4*2.1MM | 1 | |
| | | 91303-3G77-001 | 0 | O-RING 13.8*2.5 | O環 13.8*2.5 | 1 | |
| | | 91307-0E35-001 | 0 | O-RING 18*3 | O環 18*3 | 1 | |
| | | 94301-08140 | 0 | DOWEL PIN 8*14 | 定位銷 8*14 | 2 | |
| | | 94301-10160 | 0 | DOWEL PIN 10*16 | 定位銷 10*16 | 2 | |
| | | 94520-26000 | 0 | CIR CLIP INTERAL 26MM | 內環夾 26MM | 1 | |
| | | 95002-KHE7-900 | 0 | CLIP WATER HOSE | 水管夾 | 3 | |
| | | 95002-KGN7-910 | 1 | CLIP TUBE | 管夾 | 1 | |
| | | 96001-06010-08 | 0 | BOLT FLANGE SH 6*10 | 螺絲 6*10 | 1 | |
| | | 96001-06018-02 | 0 | BOLT FLANGE SH 6*18 | 螺絲 6*18 | 3 | |
| | | 96001-06022-08 | 0 | BOLT FLANGE SH 6*22 | 螺絲 6*22 | 2 | |
| | | 96001-06028-08 | 0 | BOLT FLANGE SH 6*28 | 螺絲 6*28 | 2 | |
| | | 96001-06045-08 | 0 | BOLT FLANGE SH 6*45 | 螺絲 6*45 | 3 | |
| | | 96001-06125-08 | 0 | BOLT FLANGE SH 6*125 | 螺絲 6*125 | 6 | |
| | | 96100-60000-00 | 0 | BEARING BALL RADIAL 6000 | 軸承 6000 | 1 | |

E05 Pulley

皮帶輪

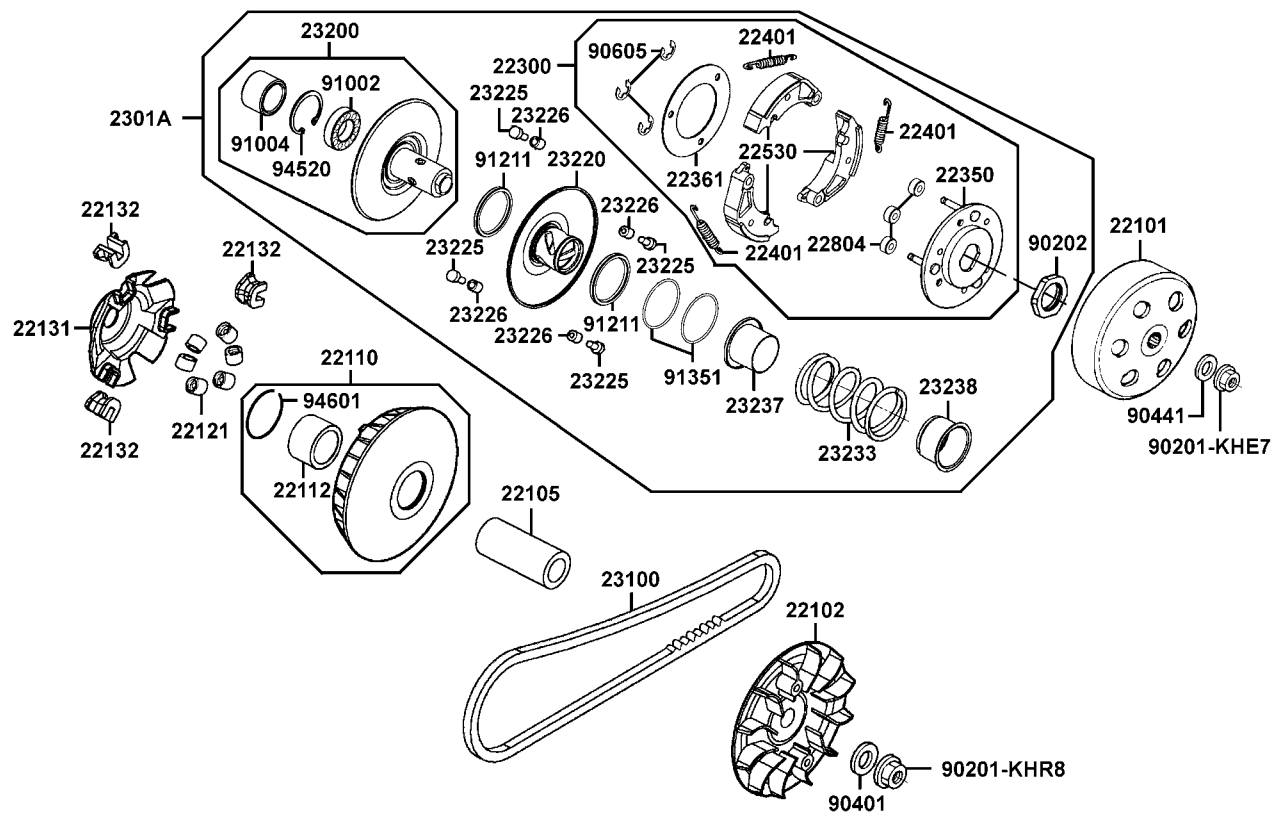


E05

| 販賣記號 Sales mark | 項目 Ref no | 零件號碼 Part no | 版數 Ver | 英文名稱 Description | 中文名稱 Chinese | 需要用量 Regd no | 參考價 Ref Price |
|-----------------------|--------------|-----------------|-----------|--------------------------|-----------------|-----------------|------------------|
| | | 22101-KHE7-900 | 1 | OUTER CLUTCH | 離合器外套 | 1 | |
| | | 22102-KHE7-900 | 1 | FACE DRIVE | 驅動皮帶扇葉盤 | 1 | |
| | | 22105-KHE7-900 | 1 | BOSS DRIVE FACE | 襯套 | 1 | |
| | | 22110-KHE7-900 | 5 | FACE COMP MOVABLE DRIVE | 滑動式驅動盤組 | 1 | |
| | | 22112-KHE7-900 | 1 | BUSH 27*33*37 | 襯套 27*33*37 | 1 | |
| | | 22121-KHE7-90A | 1 | ROLLER COMP WEIGHT | 配重滾子 | 6 | |
| | | 22131-KHE7-900 | 1 | PLATE RAMP | 斜坡板 | 1 | |
| | | 22132-KHE7-900 | 2 | PIECE SLIDE | 斜坡板邊件 | 3 | |
| | | 22300-KHE7-900 | 1 | PLATE ASSY DRIVE | 驅動板組 | 1 | |
| | | 22350-KHE7-900 | 0 | PLATE COMP DRIVE | 驅動板 | 1 | |
| | | 22361-KHE7-900 | 0 | PLATE CLUTCH SIDE | 離合器舉升板 | 1 | |
| | | 22401-KHE7-900 | 0 | SPRING CLUTCH | 離合器彈簧 | 3 | |
| | | 22530-KHE7-900 | 0 | WEIGHT CLUTCH | 離合器配重 | 3 | |
| | | 22804-GBB2-001 | 0 | RUBBER CLUTCH DAMPER | 橡皮 | 3 | |
| | | 2301A-LLJ3-E00 | 3 | PULLEY SUB ASSY | 從動皮帶輪組 | 1 | |
| | | 23100-KHE7-900 | 0 | BELT DRIVE | 驅動皮帶 | 1 | |
| | | 23200-KHE7-900 | 6 | FACE ASSY DRIVEN | 平面傳動盤組 | 1 | |
| | | 23220-KHE7-900 | 3 | FACE COMP MOVABLE DRIVEN | 滑動式從動皮帶盤 | 1 | |
| | | 23225-KHE7-900 | 0 | PIN ROLLER GUIDE | 滾導銷 | 4 | |
| | | 23226-GHC8-004 | 0 | ROLLER GUIDE | 滾子 | 4 | |

E05 Pulley

皮帶輪



E05

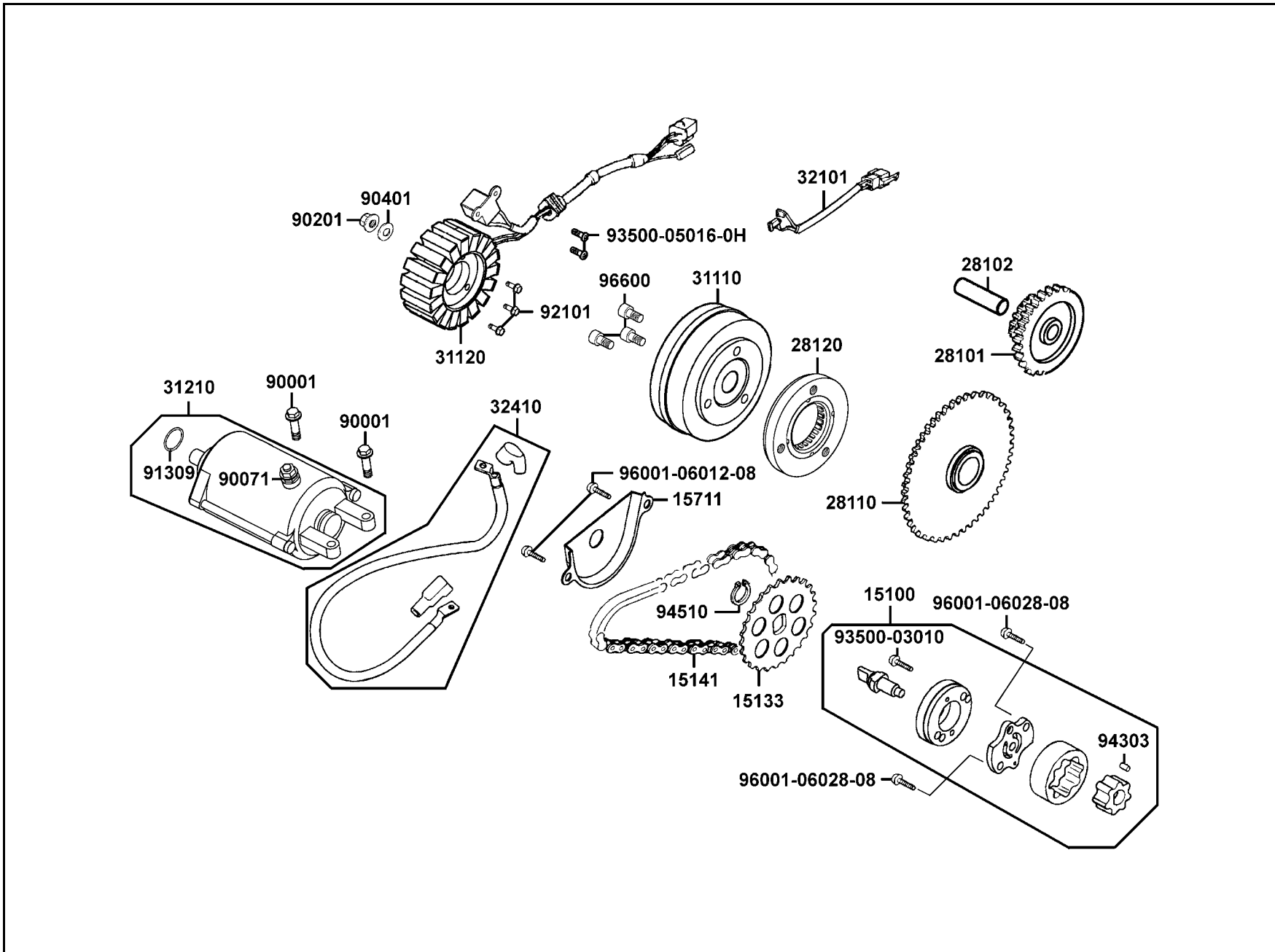
| 販賣記號 Sales mark | 項目 Ref no | 零件號碼 Part no | 版數 Ver | 英文名稱 Description | 中文名稱 Chinese | 需要用量 Regd no | 參考價 Ref Price |
|-----------------------|--------------|-----------------|-----------|-----------------------|-----------------|-----------------|------------------|
| | | 23233-KHE7-900 | 0 | SPG DRIVEN FACE | 驅動彈簧 | 1 | |
| | | 23237-KHE7-900 | 0 | COLLAR SEAL | 套筒 | 1 | |
| | | 23238-KHE7-900 | 0 | COLLAR SPG | 套筒 | 1 | |
| | | 90201-KHE7-900 | 0 | NUT C FLANGE M12 | 螺帽 12MM | 1 | |
| | | 90201-KHR8-75A | 0 | NUT FLANGE 14MM | 螺帽 14MM | 1 | |
| | | 90202-1G87-001 | 0 | NUT SPECIAL 28MM | 螺帽 28MM | 1 | |
| | | 90401-KKJ9-001 | 0 | WASHER THRUST 14*28*2 | 華司 14*28*2 | 1 | |
| | | 90441-GFY6-941 | 0 | WASHER 12.2*29*2.5 | 華司 12.2*29*2.5 | 1 | |
| | | 90605-1F66-721 | 0 | CIR CLIP 7MM | 環夾 7MM | 3 | |
| | | 91002-GGA7-70A | 0 | BRG BALL RADIAL 6902U | 軸承 6902U | 1 | |
| | | 91004-KHE7-900 | 1 | BRG NDL 22*29*18 | 軸承 22*29*18 | 1 | |
| | | 91211-KHE7-900 | 0 | SEAL DRIVEN FACE | 驅動油封 | 2 | |
| | | 91351-KHE7-900 | 0 | O-RING PINION CAP | O環 | 2 | |
| | | 94520-28000 | 0 | CIR CLIP IN 28 | 內環夾 28MM | 1 | |
| | | 94601-33000 | 0 | CLIP PISTON PIN 33MM | 夾子 33MM | 1 | |

E06

Starting Motor Generator

起
動
馬
達

發
電
機



E06

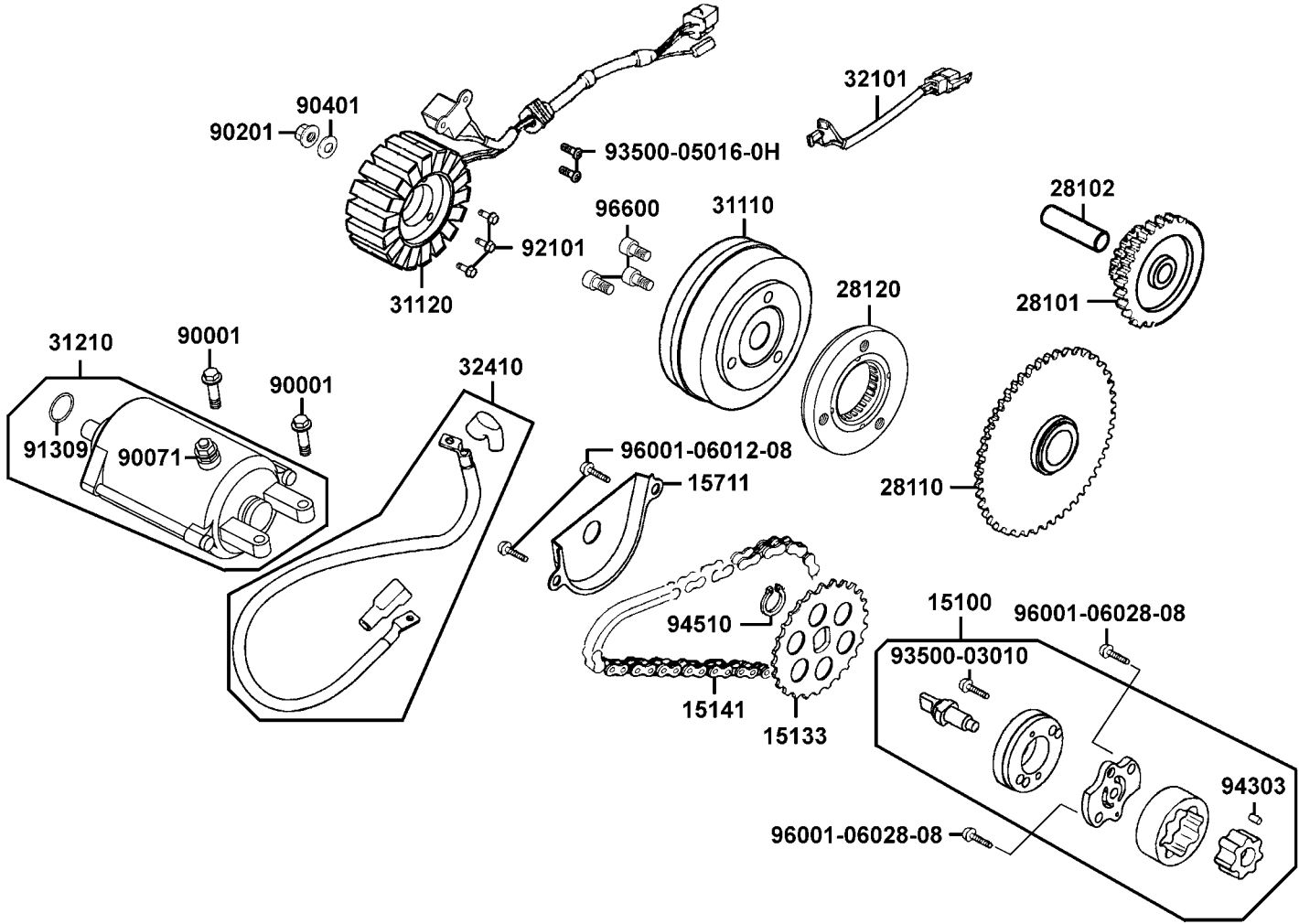
| 販賣記號 Sales mark | 項目 Ref no | 零件號碼 Part no | 版數 Ver | 英文名稱 Description | 中文名稱 Chinese | 需要用量 Regd no | 參考價 Ref Price |
|-----------------------|--------------|-----------------|-----------|------------------------------|-----------------|-----------------|------------------|
| | | 15100-KEBE-900 | 0 | PUMP ASSY OIL | 油泵 | 1 | |
| | | 15133-KAM1-001 | 0 | SPROCKET OIL PUMP DRIVE | 機油泵驅動齒輪 | 1 | |
| | | 15141-KKJ9-004 | 0 | CHAIN OIL PUMP | 機油泵驅動鏈條 | 1 | |
| | | 15711-KHE7-900 | 0 | SEPARATER OIL | 機油分隔板 | 1 | |
| | | 28101-KHE7-900 | 0 | GEAR STARTER REDUCTION | 起動減速齒輪 | 1 | |
| | | 28102-KHE7-900 | 0 | SHAFT STARTER REDUCTION GEAR | 起動減速齒輪軸 | 1 | |
| | | 28110-LDB2-E00 | 2 | GEAR COMP STARTING CLUTCH | 起動齒輪 | 1 | |
| | | 28120-LDB2-E00 | 0 | ONE WAY CLUTCH | 離合器外套 | 1 | |
| | | 31110-KHE7-90A | 0 | FLYWHEEL COMP | 飛輪 | 1 | |
| | | 31120-KKC4-90A | 2 | STATOR COMP | 轉子線圈 | 1 | |
| | | 31210-KHE7-90A | 1 | MOTOR UNIT STARTER | 起動馬達組 | 1 | |
| | | 32101-KHE7-E00 | 0 | SUB CORD | 配線 | 1 | |
| | | 32410-KKC4-900 | 1 | CABLE STARTER MOTOR | 起動馬達配線 | 1 | |
| | | 90001-GBHB-661 | 0 | BOLT FLANGE SHF 6*22 | 螺絲 6*22 | 2 | |
| | | 90071-MLB0-001 | 0 | NUT WASH 6MM | 螺帽 6MM | 1 | |
| | | 90201-KHR8-75A | 0 | NUT FLANGE 14MM | 螺帽 14MM | 1 | |
| | | 90401-KKJ9-001 | 0 | WASHER THRUST 14*28*2 | 華司 14*28*2 | 1 | |
| | | 91309-4E25-004 | 0 | O-RING 24.4*3.1 | O環 24.4*3.1 | 1 | |
| | | 92101-05032-0H | 0 | BOLT HEX 5*32 | 螺絲 5*32 | 3 | |
| | | 93500-03010-1A | 0 | SCREW PAN 3*10 | 螺絲 3*10 | 1 | |

E06

Starting Motor Generator

起
動
馬
達

發
電
機



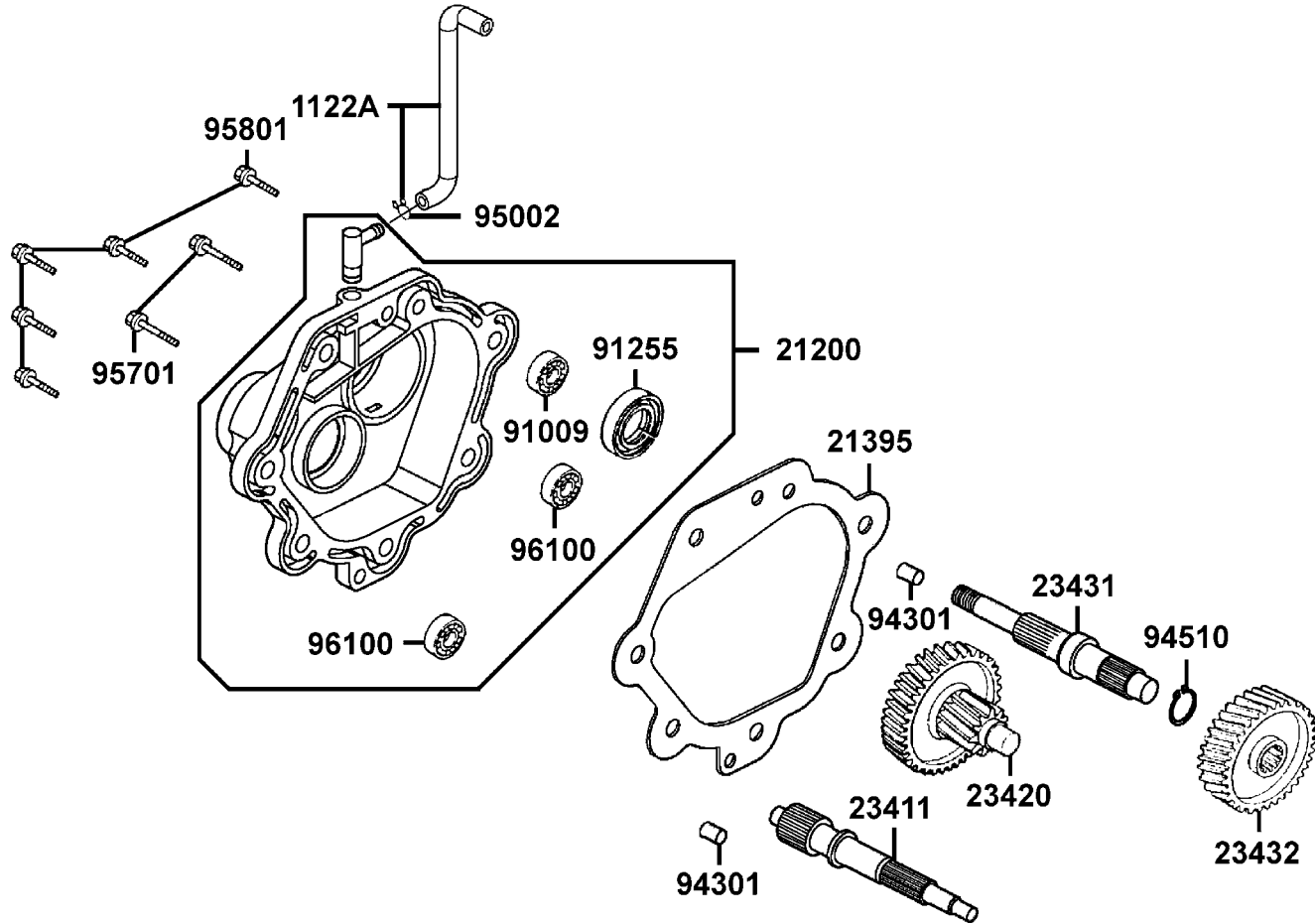
E06

| 販賣記號 Sales mark | 項目 Ref no | 零件號碼 Part no | 版數 Ver | 英文名稱 Description | 中文名稱 Chinese | 需要用量 Regd no | 參考價 Ref Price |
|-----------------------|--------------|-----------------|-----------|---------------------|-----------------|-----------------|------------------|
| | | 93500-05016-0H | 0 | SCREW PAN 5*16 | 螺絲 5*16 | 2 | |
| | | 94303-04065 | 0 | PIN DOWEL 4*65 | 定位銷 4*65 | 1 | |
| | | 94510-10000 | 0 | CIR CLIP EX 10MM | 外環夾 10MM | 1 | |
| | | 96001-06012-08 | 0 | BOLT FLANGE SH 6*12 | 螺絲 6*12 | 2 | |
| | | 96001-06028-08 | 0 | BOLT FLANGE SH 6*28 | 螺絲 6*28 | 2 | |
| | | 96600-08015-10 | 1 | SOCKET BOLT 8*15 | 螺絲 8*15 | 3 | |

E07

Transmission

傳
動
系



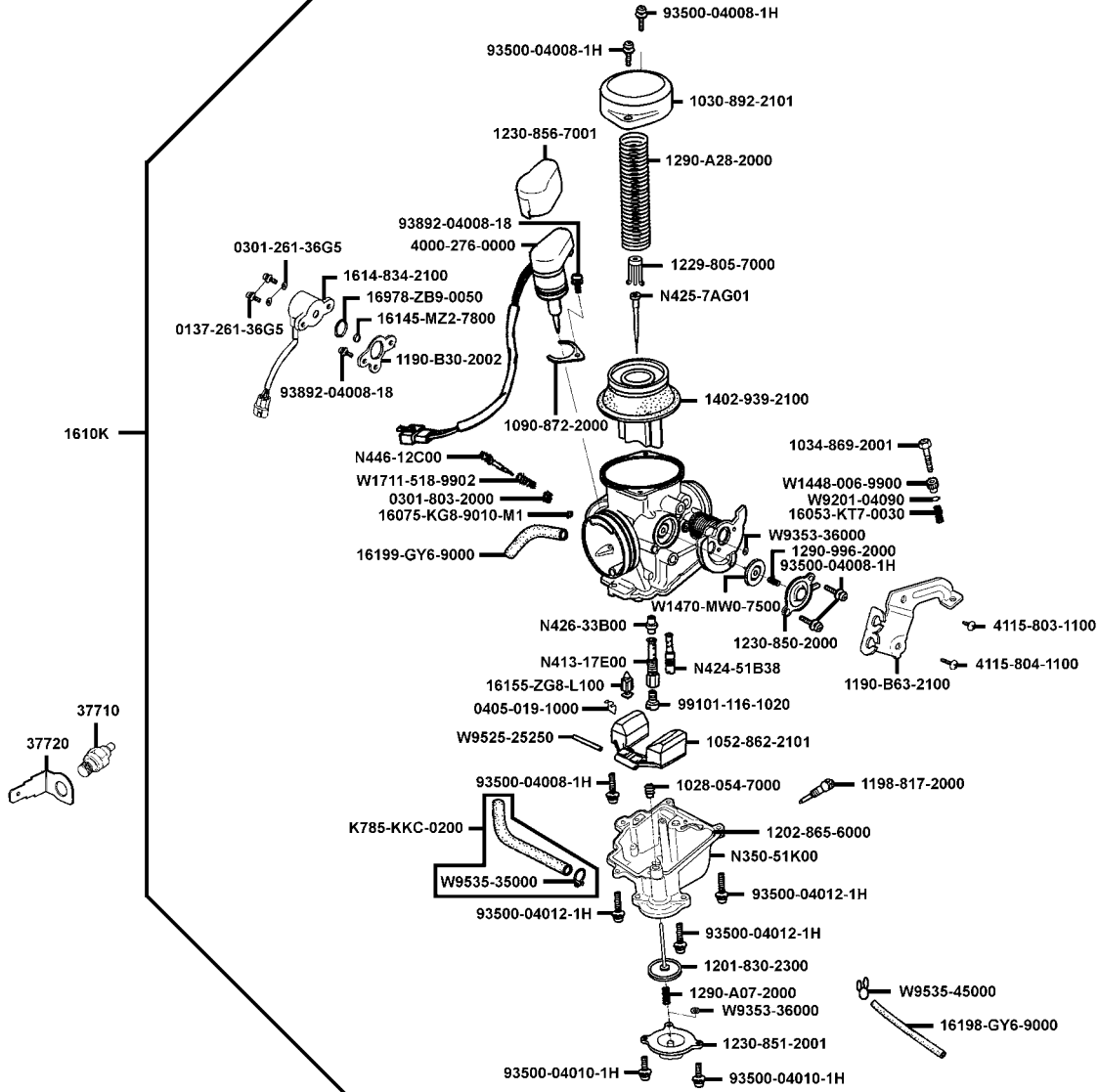
E07

| 販賣記號 Sales mark | 項目 Ref no | 零件號碼 Part no | 版數 Ver | 英文名稱 Description | 中文名稱 Chinese | 需要用量 Regd no | 參考價 Ref Price |
|-----------------------|--------------|-----------------|-----------|----------------------------|-----------------|-----------------|------------------|
| | | 1122A-KKC4-900 | 0 | TUBE ASSY MISSION BREATHER | 通氣管組 | 1 | |
| | | 21200-KHE7-305 | 0 | CASE SET MISSION | 主軸箱 | 1 | |
| | | 21395-KHE7-900 | 0 | GASKET MISSION COVER @ A | 主軸蓋墊片 | 1 | |
| | | 23411-KHE7-900 | 3 | SHAFT DRIVE | 驅動軸 | 1 | |
| | | 23420-KHE7-910 | 1 | SHAFT COMP COUNTER | 副軸組 | 1 | |
| | | 23431-KHE7-900 | 2 | SHAFT FINAL | 最終軸 | 1 | |
| | | 23432-KHE7-910 | 0 | GEAR FINAL | 最終齒輪 | 1 | |
| | | 91009-KHE7-900 | 0 | BRG BALL RADIAL 6205LLU | 軸承 6205 | 1 | |
| | | 91255-KHE7-900 | 0 | OIL SEAL 34*52*7 | 油封 34*52*7 | 1 | |
| | | 94301-10160 | 0 | DOWEL PIN 10*16 | 定位銷 10*16 | 2 | |
| | | 94510-25000 | 0 | CIR CLIP EXTERNAL 25 | 外環夾 25MM | 1 | |
| | | 95002-02080 | 0 | CLIP B8 TUBE | 管夾 | 1 | |
| | | 95701-08035-08 | 0 | BOLT FLANGE 8*35 | 螺絲 8*35 | 2 | |
| | | 95801-08030-08 | 0 | BOLT FLANGE 8*30 | 螺絲 8*30 | 5 | |
| | | 96100-63020-00 | 0 | BRG BALL RADIAL 6302 | 軸承 6302 | 2 | |

E08

Carburetor

化油器



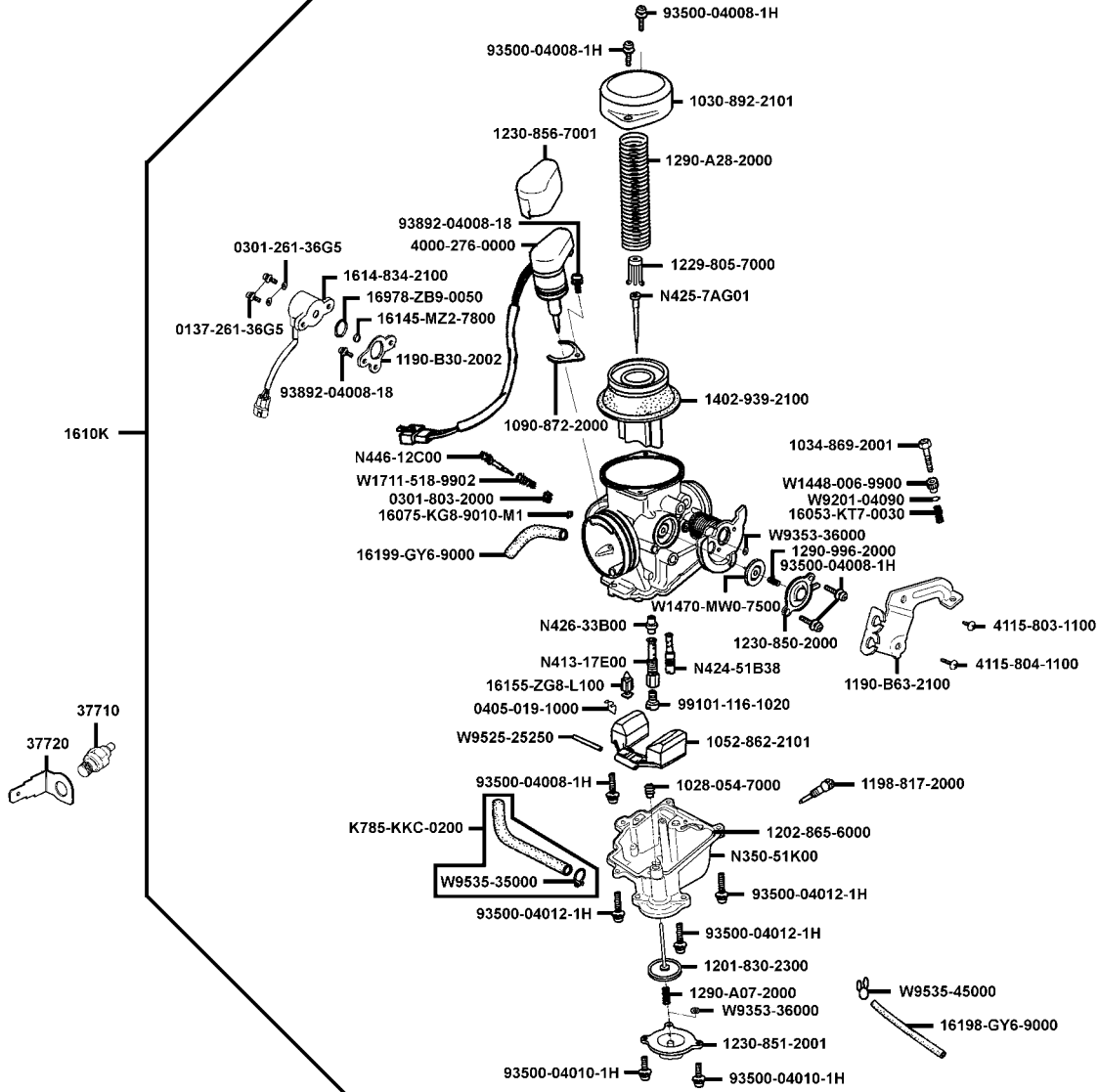
E08

| 販賣記號 Sales mark | 項目 Ref no | 零件號碼 Part no | 版數 Ver | 英 文 名 稱 Description | 中 文 名 稱 Chinese | 需要用量 Regd no | 參考價 Ref Price |
|-----------------------|--------------|-----------------|-----------|------------------------|--------------------|-----------------|------------------|
| | | 0137-261-36G5 | 0 | SCREW PAN | 螺絲 | 2 | |
| | | 0301-261-36G5 | 0 | PLAIN WASHER | 華司 | 2 | |
| | | 0301-803-2000 | 0 | PLAIN WASHER | 華司 | 1 | |
| | | 0405-019-1000 | 0 | CLIP | 浮筒閥固定器 | 1 | |
| | | 1028-054-7000 | 0 | SEALING CAP | 護蓋油封 | 1 | |
| | | 1030-892-2101 | 0 | TOP SET | 真空活塞閥蓋 | 1 | |
| | | 1034-869-2001 | 0 | SCREW (S.S) | 螺絲 | 1 | |
| | | 1052-862-2101 | 0 | FLOAT COMP | 浮筒組 | 1 | |
| | | 1090-872-2000 | 0 | SET PLATE | 固定板 | 1 | |
| | | 1190-B30-2002 | 0 | STAY PLATE | 支板 | 1 | |
| | | 1190-B63-2100 | 0 | STAY PLATE SET | 推動臂支座 | 1 | |
| | | 1198-817-2000 | 0 | SCREW (D.S) | 洩油螺絲 | 1 | |
| | | 1201-830-2300 | 1 | DIAPHRAGM COMP | 泵浦閥 | 1 | |
| | | 1202-865-6000 | 0 | PACKING | 浮筒室墊片 | 1 | |
| | | 1229-805-7000 | 0 | VALVE PLATE SET | 安全閥固定板 | 1 | |
| | | 1230-850-2000 | 0 | COVER | 護蓋 | 1 | |
| | | 1230-851-2001 | 0 | COVER | 護蓋 | 1 | |
| | | 1230-856-7001 | 0 | HOLDER CAP | 自動起動閥蓋 | 1 | |
| | | 1290-996-2000 | 0 | SPG COMPR | 彈簧 | 1 | |
| | | 1290-A07-2000 | 0 | SPG COMPR | 彈簧 | 1 | |

E08

Carburetor

化油器



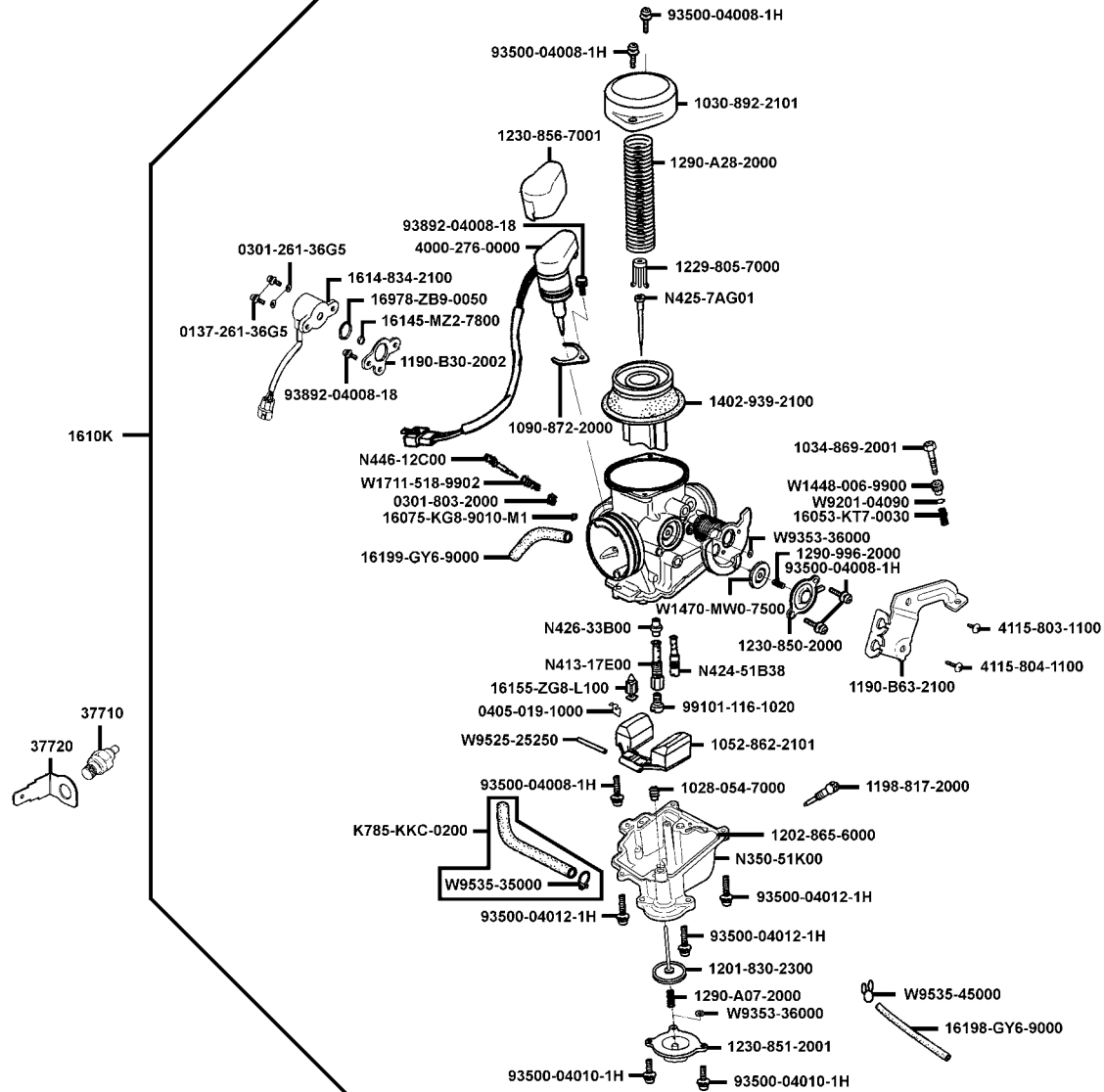
E08

| 販賣記號 Sales mark | 項目 Ref no | 零件號碼 Part no | 版數 Ver | 英文名稱 Description | 中文名稱 Chinese | 需要用量 Regd no | 參考價 Ref Price |
|-----------------------|--------------|-------------------|-----------|---------------------|-----------------|-----------------|------------------|
| | | 1290-A28-2000 | 0 | SPG COMPR | 彈簧 | 1 | |
| | | 1402-939-2100 | 0 | VACUUM PISTON COMP | 真空活塞閥 | 1 | |
| | | 16053-KT7-0030 | 0 | SPG COMPR | 彈簧 | 1 | |
| | | 16075-KG8-9010-M1 | 0 | O-RING | O 環 | 1 | |
| | | 1610K-KKC4-M30 | 2 | CARBURETOR ASSY | 化油器 | 1 | |
| | | 16145-MZ2-7800 | 0 | JOINT COLLAR | 套筒 | 1 | |
| | | 1614-834-2100 | 0 | THROTTLE SENSOR | 節流閥開度感應器 | 1 | |
| | | 16155-ZG8-L100 | 0 | FLOAT VALVE COMP | 浮筒閥 | 1 | |
| | | 16199-GY6-9000 | 0 | TUBE SET | 通氣管 | 1 | |
| | | 16978-ZB9-0050 | 0 | O-RING | O環 | 1 | |
| | | 37710-KGBG-E00 | 0 | HEATER | 加熱器 | 1 | |
| | | 37720-KGBG-E00 | 0 | EARTH TERMINAL | 接地板 | 1 | |
| | | 4000-276-0000 | 0 | AUTO BYSTARTER SET | 自動旁通器 | 1 | |
| | | 4115-803-1100 | 0 | SCREW PAN | 螺絲 | 1 | |
| | | 4115-804-1100 | 0 | SCREW PAN | 螺絲 | 1 | |
| | | 93500-04008-1H | 0 | SCREW PAN | 螺絲 | 5 | |
| | | 93500-04010-1H | 0 | SCREW PAN | 螺絲 | 2 | |
| | | 93500-04012-1H | 0 | SCREW PAN | 螺絲 | 3 | |
| | | 93892-04008-18 | 0 | SCREW WASHER | 螺絲 | 2 | |
| | | 99101-116-1020 | 0 | MAIN JET | 主噴油嘴 | 1 | |

E08

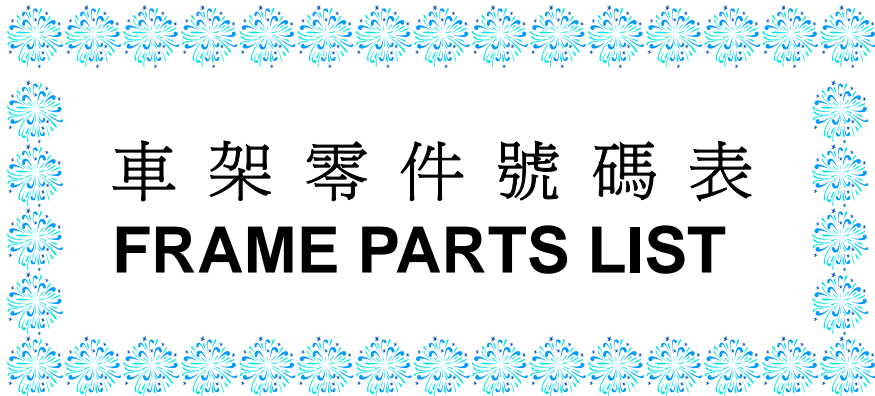
Carburetor

化油器



E08

| 販賣記號 Sales mark | 項目 Ref no | 零件號碼 Part no | 版數 Ver | 英文名稱 Description | 中文名稱 Chinese | 需要用量 Regd no | 參考價 Ref Price |
|-----------------------|--------------|-----------------|-----------|---------------------|-----------------|-----------------|------------------|
| | | K785-KKC-0200 | 0 | TUBE COMP | 溢流管 | 1 | |
| | | N350-51K00 | 0 | FLOAT CHAMBER COMP | 浮筒室 | 1 | |
| | | N413-17E00 | 0 | NEEDLE JET HOLDER | 油針支座 | 1 | |
| | | N424-51B38 | 0 | SLOW JET | 慢速噴油嘴 | 1 | |
| | | N425-7AG01 | 0 | JET NEEDLE COMP | 油針 | 1 | |
| | | N426-33B00 | 0 | NEEDLE JET | 油針座 | 1 | |
| | | N446-12C00 | 0 | SCREW | 螺絲 | 1 | |
| | | W1448-006-9900 | 0 | ADJUST HOLDER | 調整支架 | 1 | |
| | | W1470-MW0-7500 | 0 | DIAPHRAGM COMP | 阻風閥組 | 1 | |
| | | W1711-518-9902 | 0 | SPG COMPR | 彈簧 | 1 | |
| | | W9201-04090 | 0 | WASHER | 華司 | 1 | |
| | | W9353-36000 | 0 | U RING | U形環 | 2 | |
| | | W9525-25250 | 0 | ARM PIN | 浮筒閥臂銷 | 1 | |
| | | W9535-35000 | 0 | TUBE CLIP | 管夾 | 1 | |

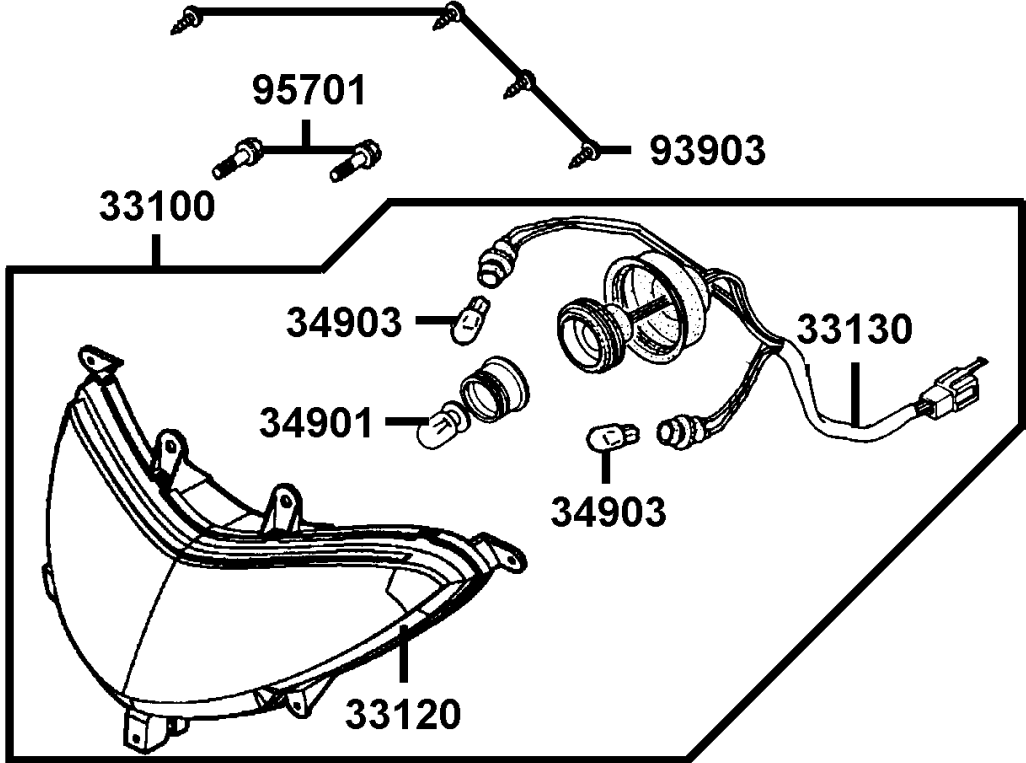


車架零件號碼表
FRAME PARTS LIST

F01

Head Light

前
燈



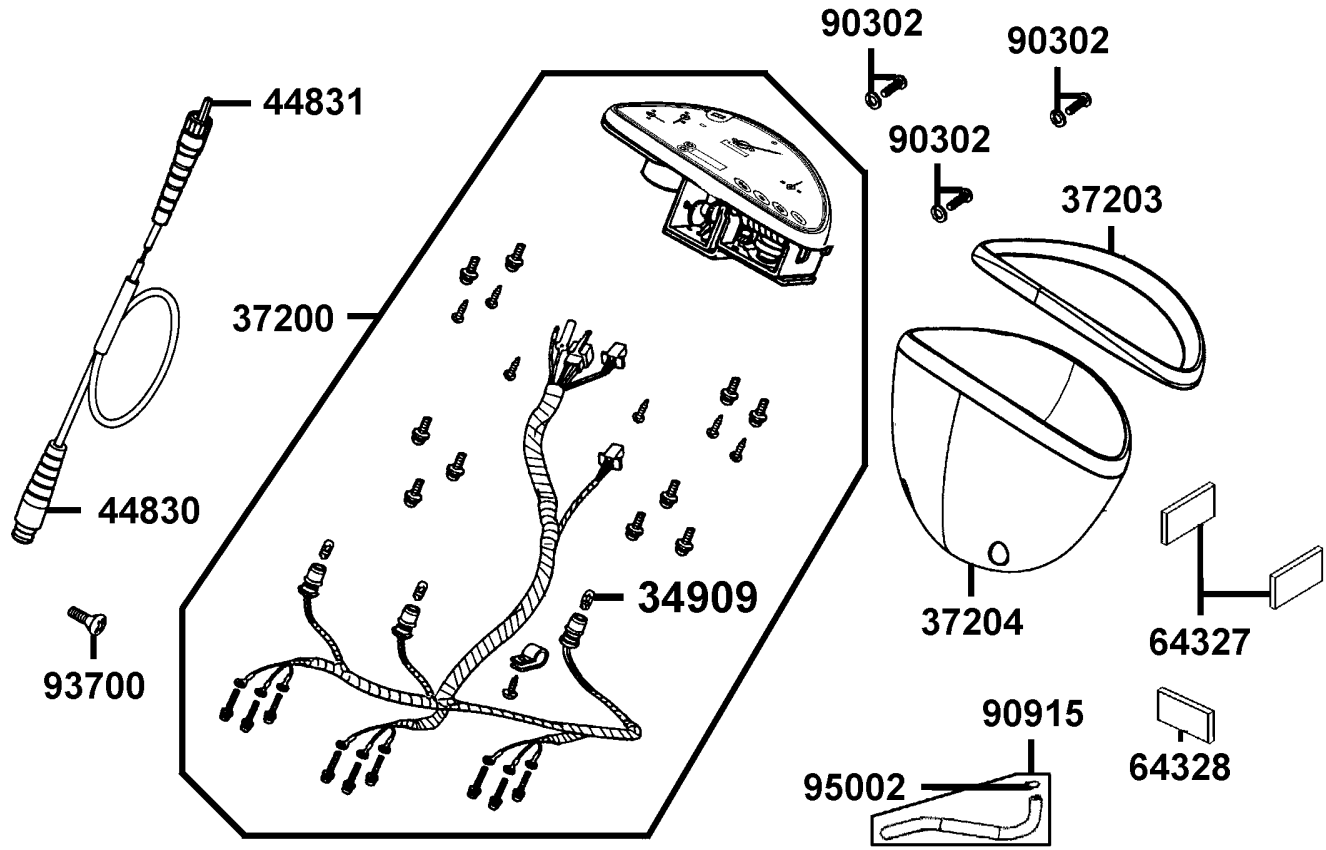
F01

| 販賣記號 Sales mark | 項目 Ref no | 零件號碼 Part no | 版數 Ver | 英文名稱 Description | 中文名稱 Chinese | 需要用量 Regd no | 參考價 Ref Price |
|-----------------------|--------------|-----------------|-----------|---------------------|-----------------|-----------------|------------------|
| | | 33100-KKC4-M30 | 0 | LIGHT ASSY HEAD | 前燈組 | 1 | |
| | | 33120-KKC4-M30 | 0 | UNIT HEAD LIGHT | 前燈殼 | 1 | |
| | | 33130-KKC4-E00 | 0 | SOCKET COMP | 前燈配線 | 1 | |
| | | 34901-KED9-900 | 0 | BULB HEAD LIGHT | 前燈泡 | 1 | |
| | | 34903-KPCP-900 | 0 | BULB POSITION LIGHT | 位置燈燈泡 | 2 | |
| | | 93903-35360 | 0 | SCREW TAPPING 5*16 | 螺釘 5*16 | 4 | |
| | | 95701-06012-08 | 0 | BOLT FLANGE 6*12 | 螺絲 6*12 | 2 | |

F02

Speedometer

儀
錶

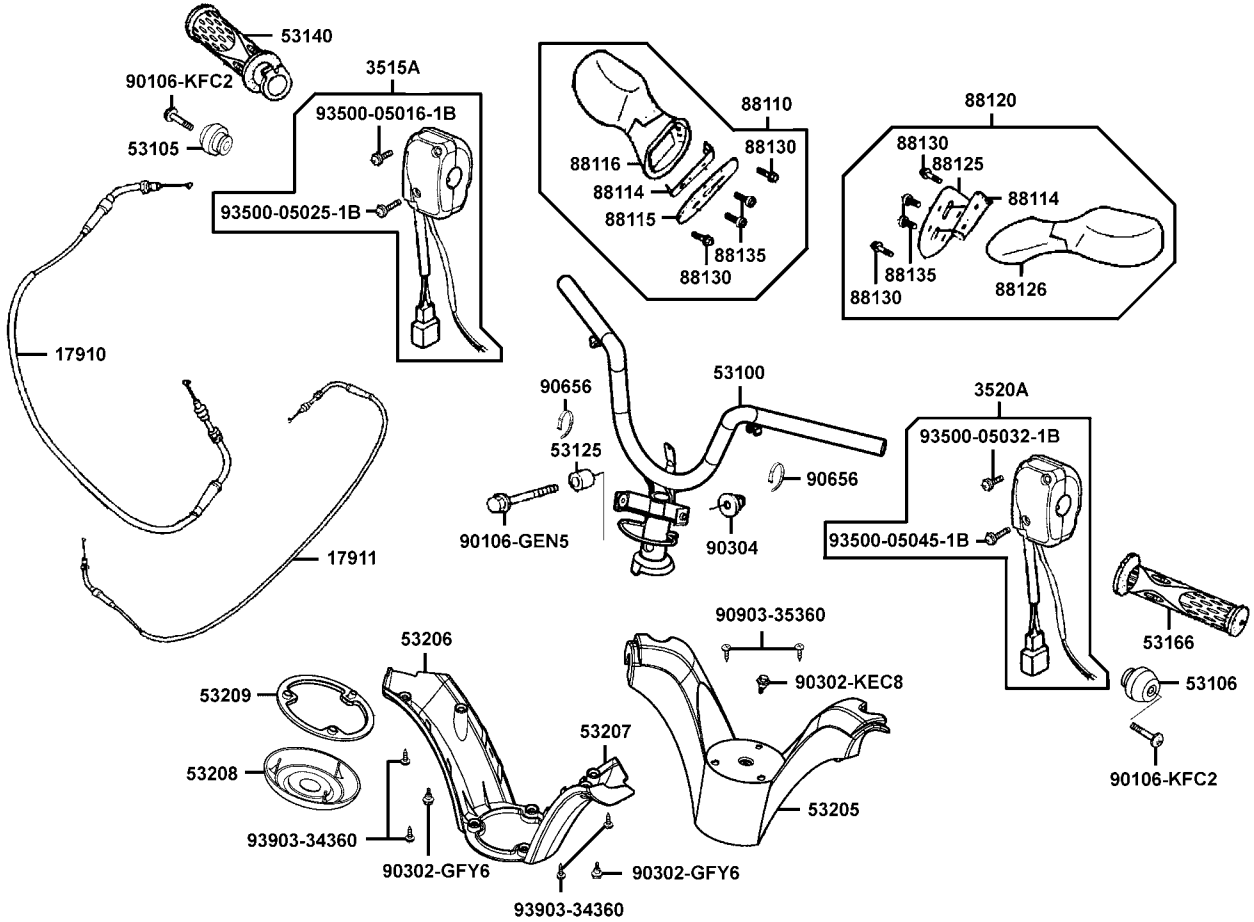


| 販賣記號 Sales mark | 項目 Ref no | 零件號碼 Part no | 版數 Ver | 英文名稱 Description | 中文名稱 Chinese | 需要用量 Regd no | 參考價 Ref Price |
|-----------------------|--------------|-----------------|-----------|-------------------------|-----------------|-----------------|------------------|
| | | 34909-KEBE-900 | 0 | BULB WEDGE BASE T6.5 | 儀錶內指示燈泡 | 3 | |
| | | 37200-KKC4-900 | 3 | METER ASSY SPEED (LCD) | 儀錶 | 1 | |
| ** | | 37203-KKC4-900 | 0 | METER COVER FR | 儀錶上蓋 | 1 | |
| ** | | 37204-KKC4-900 | 0 | METER COVER RR | 儀錶下蓋 | 1 | |
| | | 44830-KKC4-900 | 2 | CABLE COMP SPDMT | 速度錶導線 | 1 | |
| | | 44831-KKC4-900 | 0 | CABLE INNER | 速度錶內導線 | 1 | |
| | | 64327-KKC4-900 | 1 | SPONGE TAPE METER COVER | 儀錶用海綿雙面膠 | 2 | |
| | | 64328-KKC4-900 | 0 | SPONGE TAPE METER COVER | 儀錶用海綿雙面膠 | 1 | |
| | | 90302-GFY6-940 | 1 | BOLT -WASH 5*16 | 螺絲 5*16 | 3 | |
| | | 90915-KKC4-900 | 1 | TUBE DRAIN | 洩流管 | 1 | |
| | | 93700-05018-0H | 0 | SCREW OVAL 5*18 | 螺絲 5*18 | 1 | |
| | | 95002-50000 | 0 | CLIP C9 TUBE | 管夾 | 1 | |

F03

Handle Steering Handle Cover

轉向手柄
手柄蓋

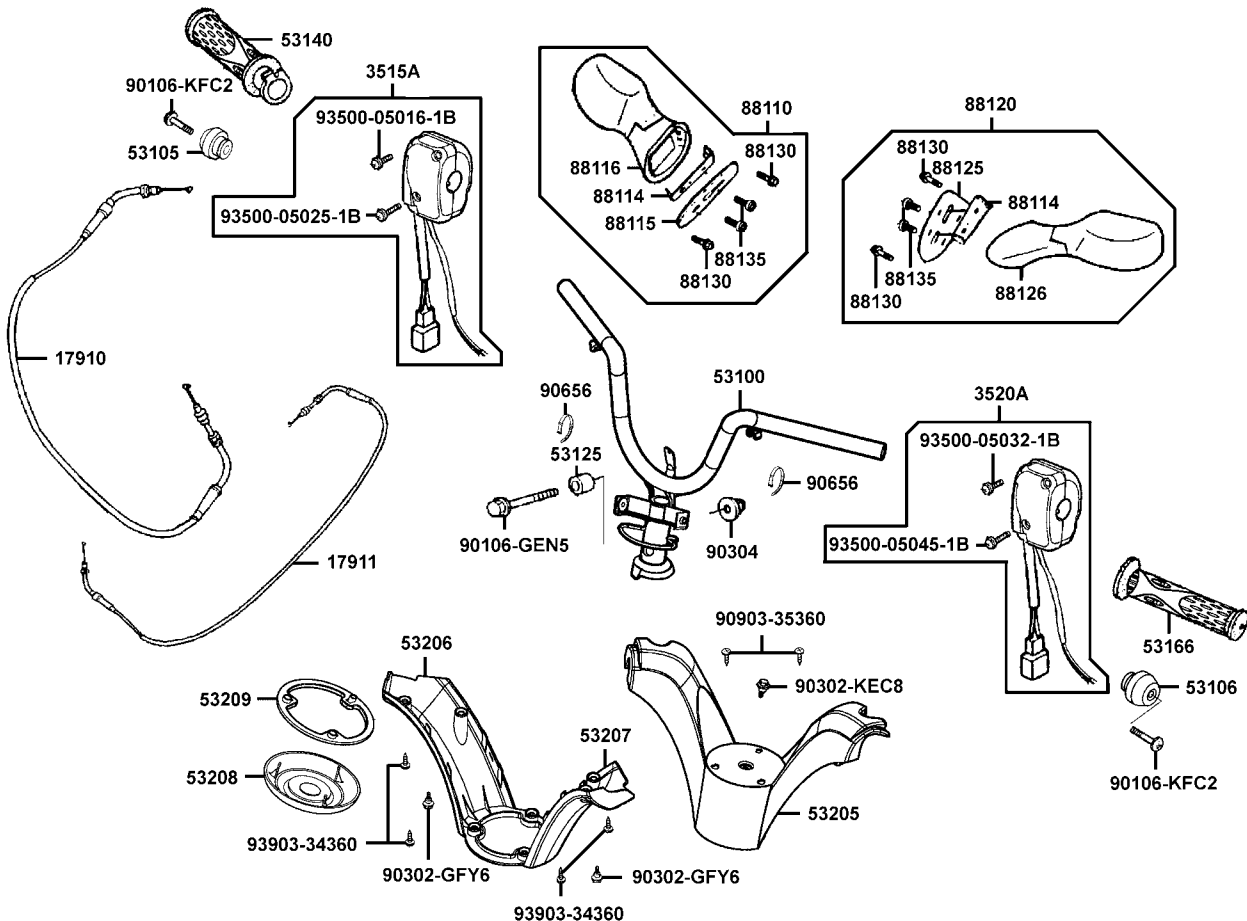


| 販賣記號 Sales mark | 項目 Ref no | 零件號碼 Part no | 版數 Ver | 英文名稱 Description | 中文名稱 Chinese | 需要用量 Regd no | 參考價 Ref Price |
|-----------------------|--------------|--------------------|-----------|----------------------|-----------------|-----------------|------------------|
| | | 17910-KKC4-900 | 0 | CABLE COMP THROT | 節流導線 | 1 | |
| | | 17911-KKC4-900 | 0 | CABLE B COMP THROT | 節流導線 B | 1 | |
| | | 3515A-KKC4-B000-SG | 0 | SW ASSY RH HNDL COMP | 右邊開關組 | 1 | |
| | | 3520A-KEBE-900 | 2 | SW ASSY L HNDL COMP | 左邊開關組 | 1 | |
| | | 53100-KKC4-900 | 0 | HANDLE COMP STRG | 轉向手柄 | 1 | |
| | | 53105-KFC8-900 | 2 | END R STRG HANDLE | 手柄右平衡端子 | 1 | |
| | | 53106-KFC8-900 | 2 | END L STRG HANDLE | 手柄左平衡端子 | 1 | |
| | | 53125-GEN5-901 | 0 | COLLAR HANDLE SET | 套筒 | 1 | |
| ** | | 53140-KKC4-900 | 0 | GRIP COMP THROT | 節流管套組 | 1 | |
| ** | | 53166-KGB5-900 | 0 | GRIP L HANDLE | 手柄左橡皮套 | 1 | |
| ** | | 53205-KKC4-900 | 2 | COVER HNDL UP | 手柄上蓋 | 1 | |
| ** | | 53206-KKC4-900 | 1 | COVER R HANDLE LOW | 手柄下蓋右側蓋 | 1 | |
| ** | | 53207-KKC4-900 | 0 | COVER L HANDLE LOW | 手柄下蓋左側蓋 | 1 | |
| ** | | 53208-KKC4-900 | 0 | GRILL HANDLE UP | 手柄底蓋 | 1 | |
| | | 53209-KKC4-900 | 0 | PACKING HANDLE UP | 手柄底蓋襯墊 | 1 | |
| ** | | 88110-KKC4-900 | 7 | MIRROR ASSY R BACK | 右後視鏡 | 1 | |
| | | 88114-KKC4-900 | 3 | STAY MIRROR | 後視鏡鐵座 | 2 | |
| | | 88115-KKC4-900 | 0 | PAD R MIRROR | 右後視鏡襯墊 | 1 | |
| | | 88116-KKC4-900 | 3 | BASE R MIRROR | 右後視鏡底座 | 1 | |
| ** | | 88120-KKC4-900 | 7 | MIRROR ASSY L BACK | 左後視鏡 | 1 | |

F03

Handle Steering Handle Cover

轉向手柄
手柄蓋



F03

| 販賣記號 Sales mark | 項目 Ref no | 零件號碼 Part no | 版數 Ver | 英文名稱 Description | 中文名稱 Chinese | 需要用量 Regd no | 參考價 Ref Price |
|-----------------------|--------------|-----------------|-----------|---------------------|-----------------|-----------------|------------------|
| | | 88125-KKC4-900 | 0 | PAD L MIRROR | 左後視鏡襯墊 | 1 | |
| | | 88126-KKC4-900 | 3 | BASE L MIRROR | 左後視鏡底座 | 1 | |
| | | 88130-KKC4-900 | 0 | BOLT SPECIAL | 特殊螺絲 | 4 | |
| | | 88135-KKC4-900 | 1 | SCREW PAN 5*20 | 螺絲 5*20 | 4 | |
| | | 90106-GEN5-901 | 0 | BOLT FLANGE 10*50 | 特殊螺絲 10X50 | 1 | |
| | | 90106-KFC2-900 | 0 | BOLT WASH 8MM | 螺絲 8MM | 2 | |
| | | 90302-GFY6-901 | 1 | BOLT WASH 5*12 | 螺絲 5X12 | 2 | |
| | | 90302-KEC8-900 | 1 | BOLT PAN 5*9 | 螺釘 5*9 | 1 | |
| | | 90304-GHE8-004 | 0 | NUT U 10MM | 螺帽 10MM | 1 | |
| | | 90656-GFY6-911 | 0 | BAND OIL HOSE | 油管束帶 | 2 | |
| | | 93500-05016-1B | 0 | SCREW PAN 5*16 | 螺絲 5*16 | 1 | |
| | | 93500-05025-1B | 0 | SCREW PAN 5*25 | 螺絲 5*25 | 1 | |
| | | 93500-05032-1B | 0 | SCREW PAN 5*32 | 螺絲 5*32 | 1 | |
| | | 93500-05045-1B | 0 | SCREW PAN 5*45 | 螺絲 5*45 | 1 | |
| | | 93903-34360 | 0 | SCREW TAPPING 4*12 | 螺釘 4X12 | 4 | |
| | | 93903-35360 | 0 | SCREW TAPPING 5*16 | 螺釘 5*16 | 2 | |

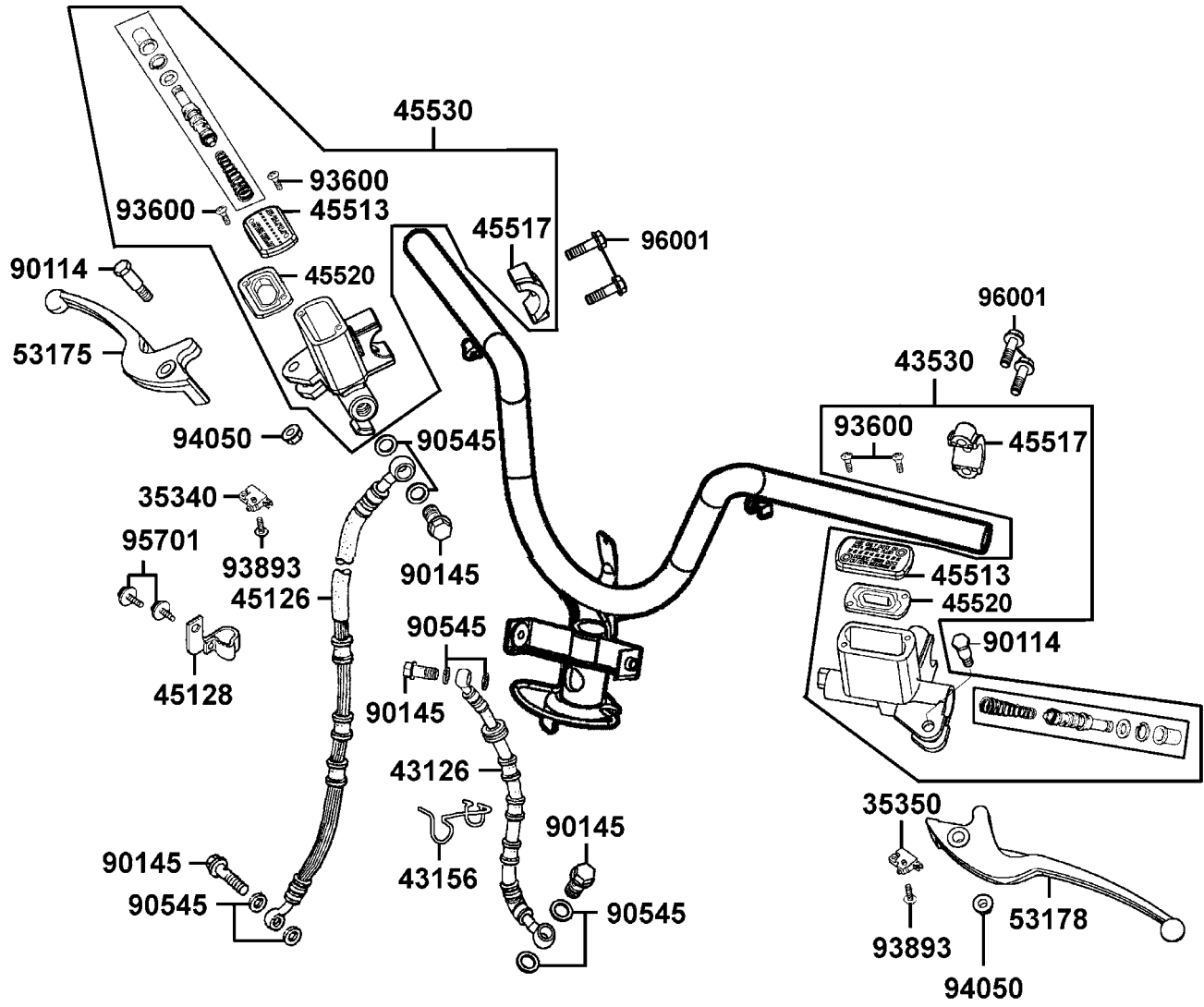
F04

| 販賣記號 Sales mark | 項目 Ref no | 零件號碼 Part no | 版數 Ver | 英文名稱 Description | 中文名稱 Chinese | 需要用量 Regd no | 參考價 Ref Price |
|-----------------------|--------------|--------------------|-----------|------------------------|-----------------|-----------------|------------------|
| | | 35340-KNBN-901 | 0 | SW ASSY FR STOP | 煞車燈前置開關 | 1 | |
| | | 35350-KNBN-901 | 0 | SW ASSY RR STOP | 煞車燈後置開關 | 1 | |
| | | 43126-KKC4-B21 | 1 | HOSE ASSY C/P RR BRAKE | 後煞車管組後段 | 1 | |
| | | 43156-KKC4-900 | 1 | CLAMPER HOSE RR | 後煞車管夾 | 2 | |
| | | 43530-KFC8-305 | 1 | CYLINDER SET RR MASTER | 後煞車主油缸 | 1 | |
| | | 45126-KKC2-B20 | 2 | HOSE ASSY FR BRAKE | 前煞車油管 | 1 | |
| | | 45128-KEBE-900 | 0 | CLAMPER FR BRAKE HOSE | 前煞車管夾 | 1 | |
| | | 45513-KXCX-M00 | 1 | CAP MASTER CYLINDER | 煞車主油缸蓋 | 2 | |
| | | 45517-KFAF-910 | 0 | HOLDER M/C | 主油缸固定座 | 2 | |
| | | 45520-GLW0-91A | 0 | DIAPHRAGM | 隔膜 | 2 | |
| | | 45530-KFC8-E000-IT | 2 | CYLINDER SET FR MASTER | 前煞車主油缸 | 1 | |
| ** | | 53175-KFA5-E10 | 0 | LEVER R STRG HANDLE | 手柄右拉桿 | 1 | |
| ** | | 53178-KFC8-E10 | 0 | LEVER L STRG HANDLE | 手柄左拉桿 | 1 | |
| | | 90114-1F66-007 | 2 | BOLT HANDLE LEVER | 右拉桿固定螺栓 | 2 | |
| | | 90145-MKS9-61A | 1 | OIL BOLT 10*22 | 油管螺絲 10*22 | 4 | |
| | | 90545-3L00-001 | 2 | WASHER OIL BOLT | 華司 | 8 | |
| | | 93600-04012-1G | 0 | SCREW FLAT 4*12 | 螺絲 4*12 | 4 | |
| | | 93893-04012-18 | 0 | SCREW WASHER 4*12 | 螺絲 4*12 | 2 | |
| | | 94050-06080 | 0 | NUT FLANGE 6MM | 螺帽 6MM | 2 | |
| | | 95701-06012-08 | 0 | BOLT FLANGE 6*12 | 螺絲 6*12 | 2 | |

F04

Brake Master Cylinder

煞車主油缸



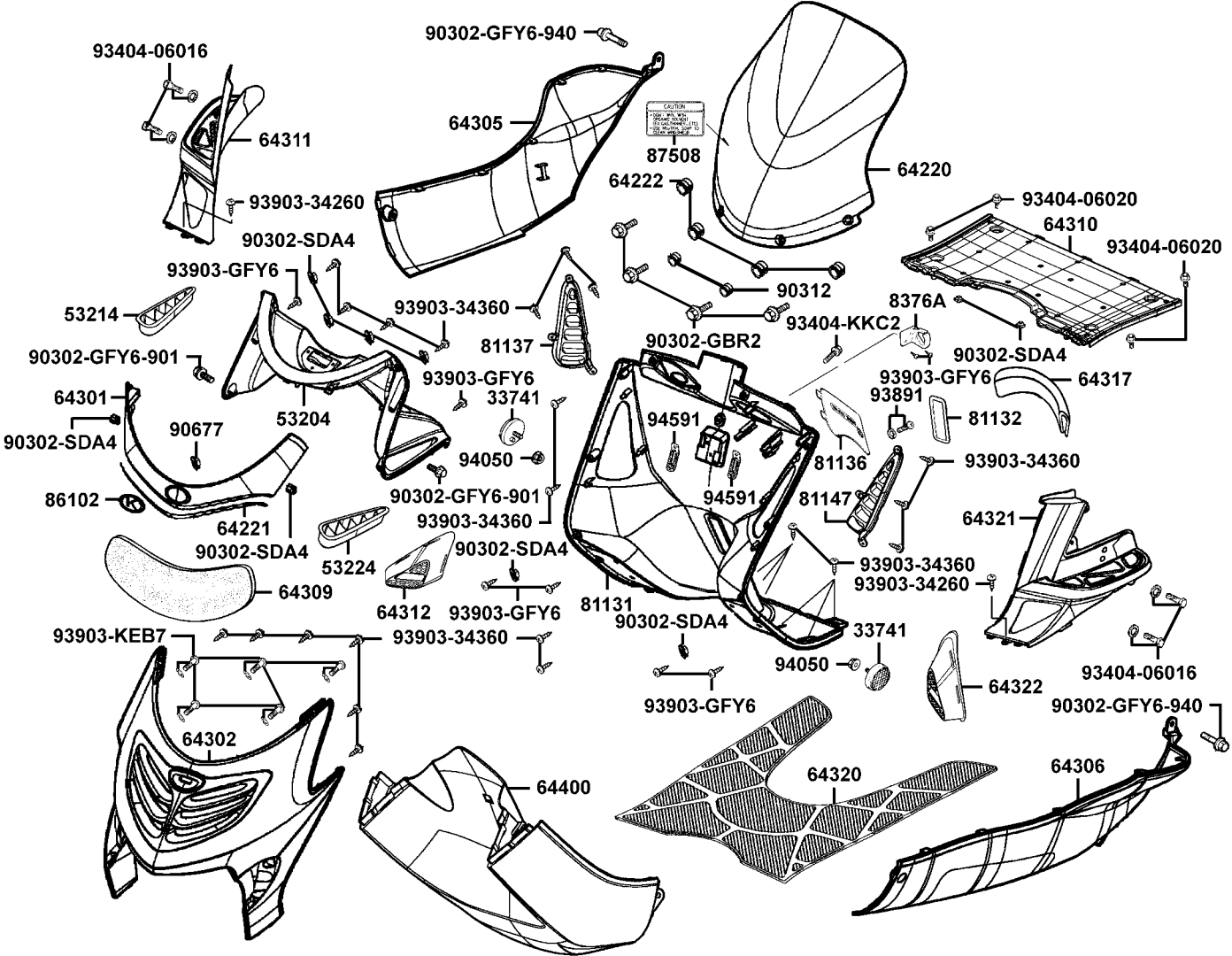
| 販賣記號 Sales mark | 項目 Ref no | 零件號碼 Part no | 版數 Ver | 英文名稱 Description | 中文名稱 Chinese | 需要用量 Regd no | 參考價 Ref Price |
|-----------------------|--------------|-----------------|-----------|---------------------|-----------------|-----------------|------------------|
| | | 96001-06022-06 | 1 | BOLT FLANGE 6*22 | 螺絲 6*22 | 4 | |

F04

F05

Front Cover Floor Panel

前護蓋
腳踏板



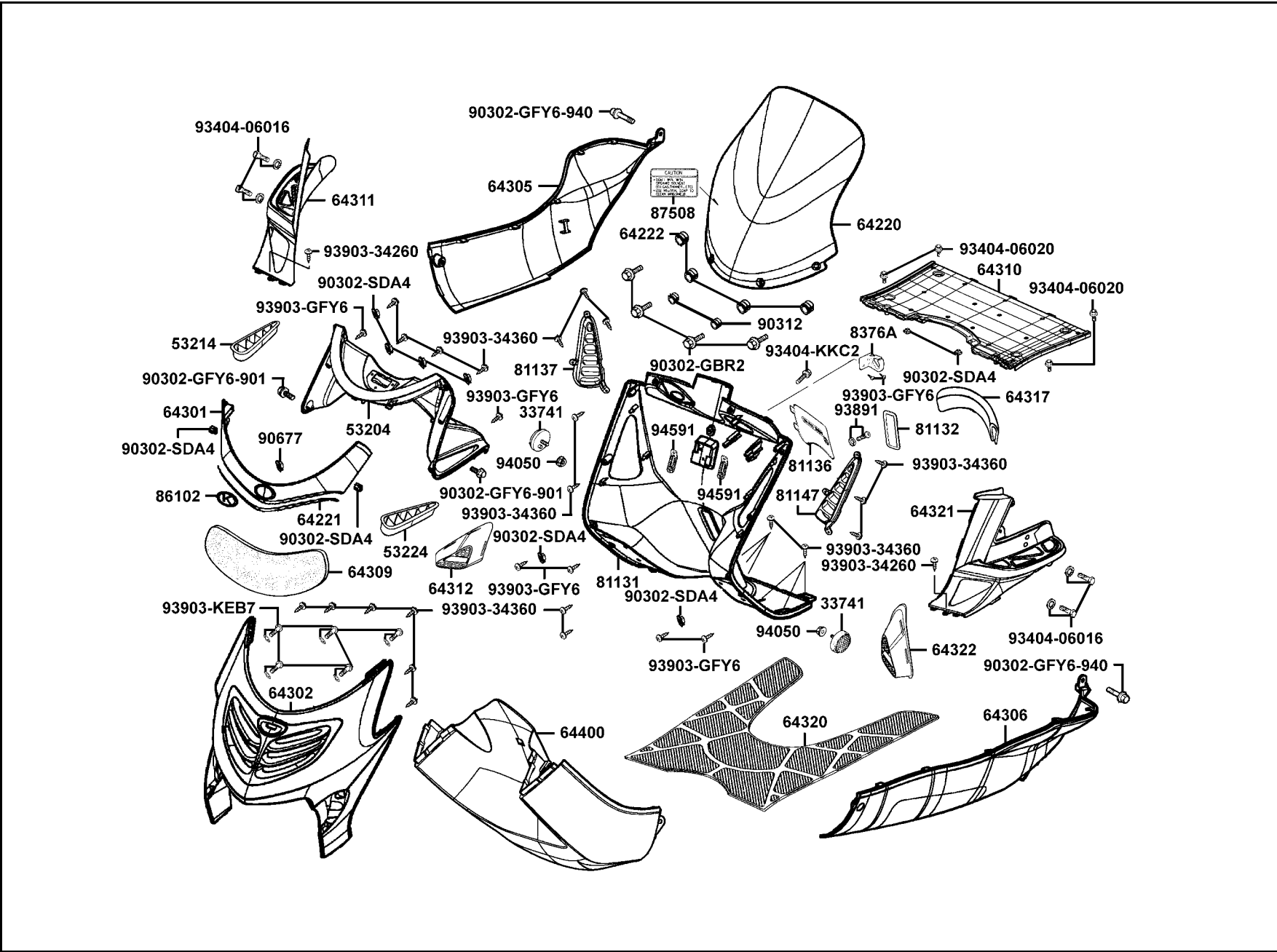
| 販賣記號 Sales mark | 項目 Ref no | 零件號碼 Part no | 版數 Ver | 英文名稱 Description | 中文名稱 Chinese | 需要用量 Regd no | 參考價 Ref Price |
|-----------------------|--------------|-----------------|-----------|----------------------|-----------------|-----------------|------------------|
| ** | | 53204-KKC4-900 | 2 | COVER METER | 儀錶外蓋 | 1 | |
| ** | | 53214-KKC4-900 | 0 | GRID R METER COVER | 儀錶外蓋右格板 | 1 | |
| ** | | 53224-KKC4-900 | 0 | GRID L METER COVER | 儀錶外蓋左格板 | 1 | |
| | | 64220-KKC4-900 | 1 | WIND SCREEN | 遮陽板 | 1 | |
| | | 64221-KKC4-900 | 0 | SEAL WIND SCREEN | 橡皮 | 1 | |
| | | 64222-KKC4-900 | 3 | RUBBER WIND SCREEN | 遮陽板橡皮 | 4 | |
| ** | | 64301-KKC4-900 | 0 | COVER SCREEN | 前燈上蓋 | 1 | |
| ** | | 64302-KKC4-900 | 0 | MOLDING FR | 前護板 | 1 | |
| ** | | 64305-KKC4-900 | 2 | SKIRT R SIDE | 右邊軌 | 1 | |
| ** | | 64306-KKC4-900 | 2 | SKIRT L SIDE | 左邊軌 | 1 | |
| | | 64309-KKC4-900 | 0 | GRILL FR COVER | 前蓋格板 | 1 | |
| ** | | 64310-KKC4-900 | 0 | FLOOR PANEL | 腳踏板 | 1 | |
| ** | | 64311-KKC4-900 | 3 | COVER R PILLION STEP | 後座右踏板蓋 | 1 | |
| ** | | 64312-KKC4-900 | 3 | GRID R PILLION STEP | 後座右踏板蓋格板 | 1 | |
| | | 64317-KKC4-900 | 1 | SEAL METER COVER | 碼錶蓋防水封 | 1 | |
| ** | | 64320-KKC4-900 | 0 | MAT FLOOR | 踏板墊 | 1 | |
| ** | | 64321-KKC4-900 | 3 | COVER L PILLION STEP | 後座左踏板蓋 | 1 | |
| ** | | 64322-KKC4-900 | 1 | GRID L PILLION STEP | 後座左踏板蓋格板 | 1 | |
| ** | | 64400-KKC4-900 | 0 | COWL UNDER | 下罩 | 1 | |
| ** | | 81131-KKC4-900 | 0 | LEG SHIELD | 行旅內箱 | 1 | |

F05

Front Cover Floor Panel

前
護
蓋

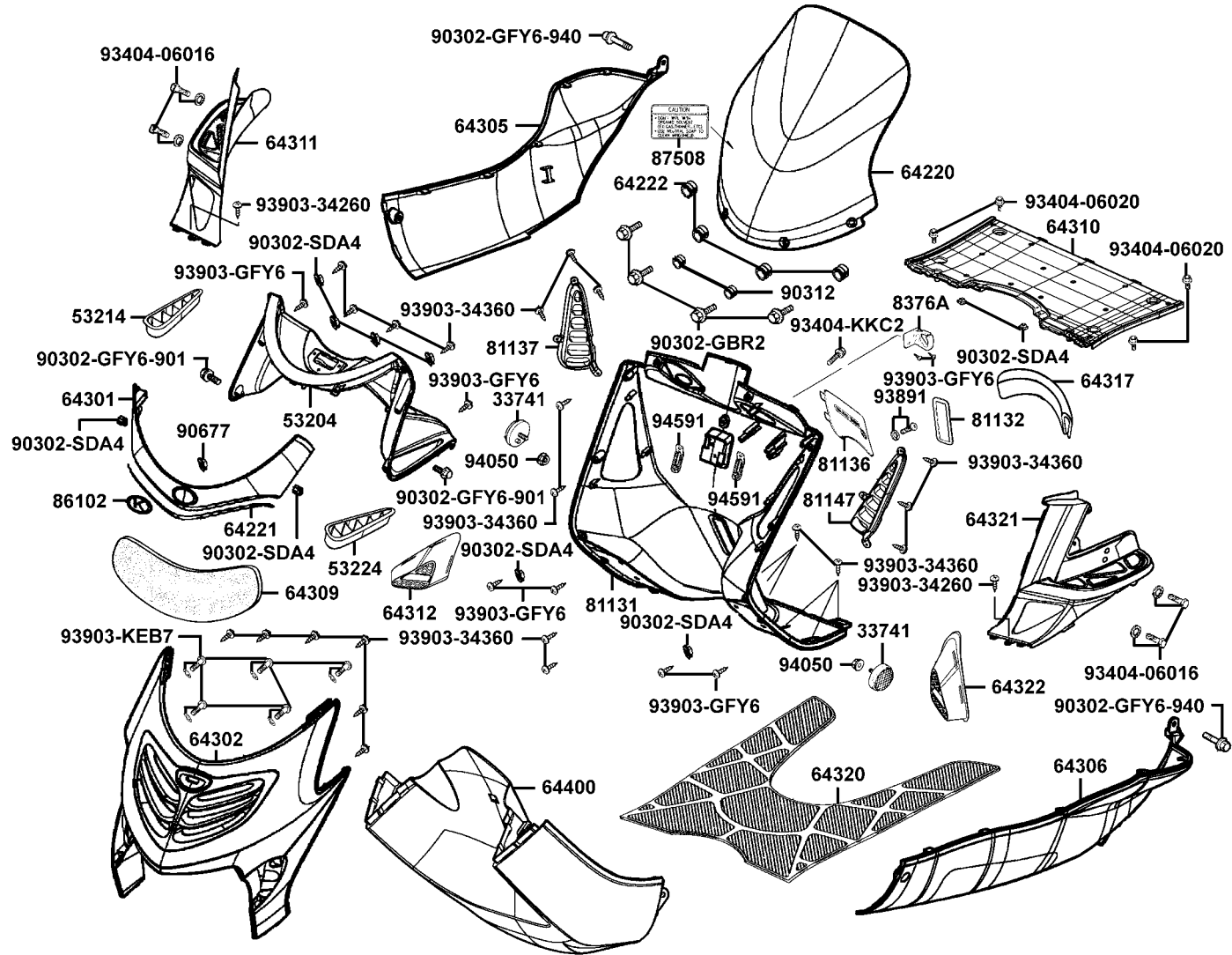
腳
踏
板



| 販賣記號 Sales mark | 項目 Ref no | 零件號碼 Part no | 版數 Ver | 英文名稱 Description | 中文名稱 Chinese | 需要用量 Regd no | 參考價 Ref Price |
|-----------------------|--------------|-------------------|-----------|-------------------------|-----------------|-----------------|------------------|
| ** | | 81132-KEB7-900 | 1 | LID LEG SHIELD | 內箱蓋 | 1 | |
| ** | | 81136-KKC4-900 | 0 | LID RESERVE TANK | 預備水箱覆蓋 | 1 | |
| ** | | 81137-KKC4-900 | 0 | GRID R LEG SHIELD | 內箱右通風格板 | 1 | |
| ** | | 81147-KKC4-900 | 0 | GRID L LEG SHIELD | 內箱左通風格板 | 1 | |
| | | 8376A-KEBE-900 | 4 | CLIP ASSY CENTER | 中心掛鉤 | 1 | |
| | | 86102-KKC4-900 | 1 | EMB K-LOGO 28.5MM | 標誌 | 1 | |
| | | 87508-KKC4-E00 | 1 | LABEL CLEANNESS CAUTION | 貼紙 | 1 | |
| | | 90302-GBR2-001 | 1 | BOLT WASH 5*16 | 螺絲 5*16 | 4 | |
| | | 90302-GFY6-901 | 1 | BOLT WASH 5*12 | 螺絲 5*12 | 2 | |
| | | 90302-GFY6-940 | 1 | BOLT WASH 5*16 | 螺絲 5*16 | 2 | |
| | | 90302-SDA4-004 | 1 | NUT SPRING 4MM | 螺帽 4MM | 10 | |
| | | 90677-GAR1-004 | 1 | NUT CLIP 5MM | 彈簧螺帽 5MM | 1 | |
| | | 93404-06016-06 | 0 | BOLT WASHER 6*16 | 螺絲 6*16 | 4 | |
| | | 93404-06020-06 | 1 | BOLT WASHER 6*20 | 螺絲 6*20 | 4 | |
| | | 93404-KKC2-900 | 1 | BOLT WASHER 6*16 | 螺絲 6*16 | 1 | |
| | | 93891-05012-06 | 0 | SCREW WASHER 5*12 | 螺絲 5*12 | 1 | |
| | | 93903-34260 | 0 | SCREW TAPPING 4*10 | 螺釘 4*10 | 2 | |
| | | 93903-34360 | 0 | SCREW TAPPING 4*12 | 螺釘 4*12 | 26 | |
| | | 93903-GFY6-900 | 1 | SCREW TAPPING 4*14 | 螺釘 4*14 | 8 | |
| | | 93903-KEB7-900-06 | 1 | SCREW WASHER 4MM | 螺絲華司 4MM | 5 | |

前
護
蓋

腳
踏
板



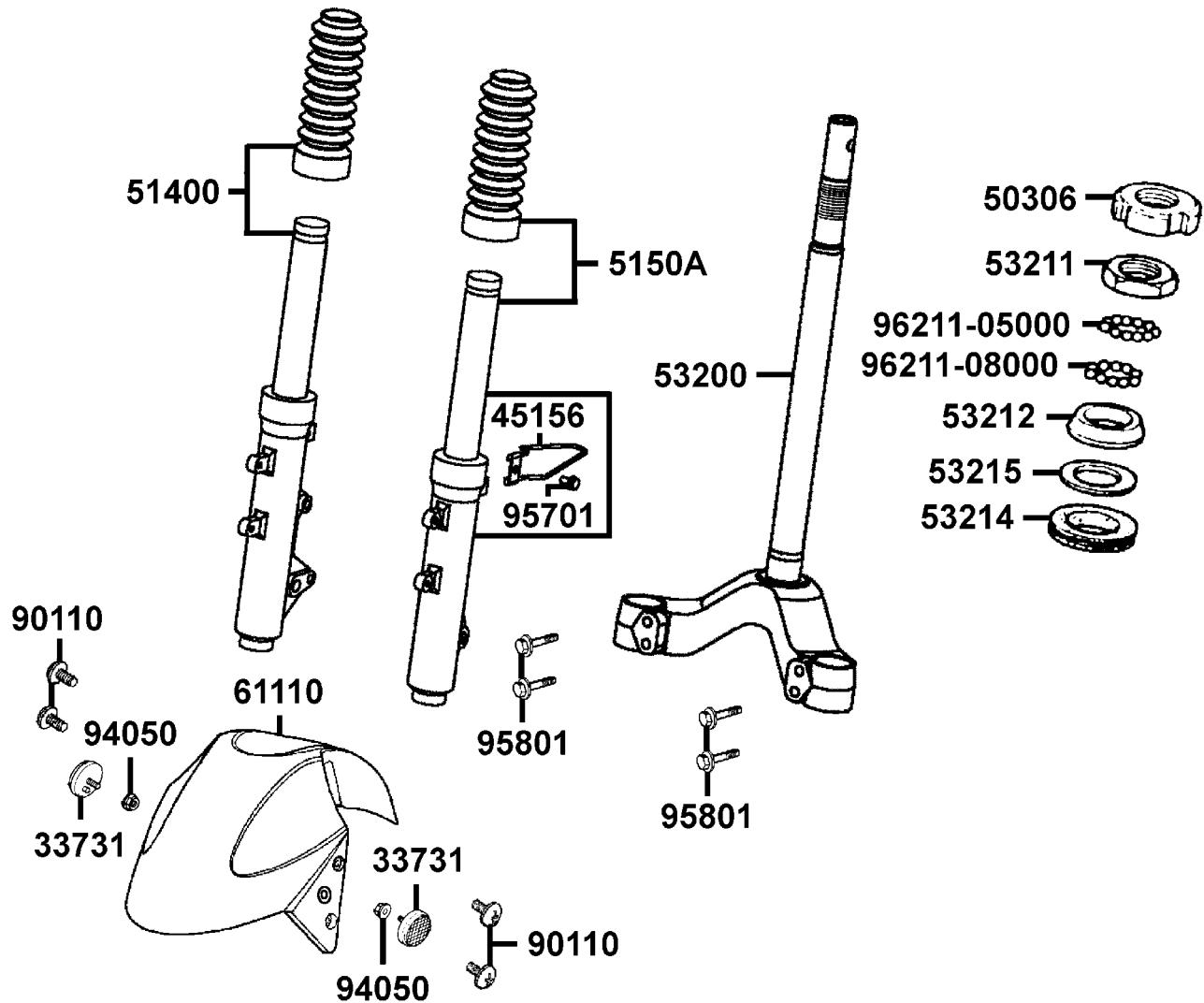
F05

| 販賣記號 Sales mark | 項目 Ref no | 零件號碼 Part no | 版數 Ver | 英文名稱 Description | 中文名稱 Chinese | 需要用量 Regd no | 參考價 Ref Price |
|-----------------------|--------------|-----------------|-----------|---------------------|-----------------|-----------------|------------------|
| | | 94591-27000 | 0 | CLIP 2*70 | 夾子 2*70 | 2 | |

F06

Front Cushion

前
避
震
器



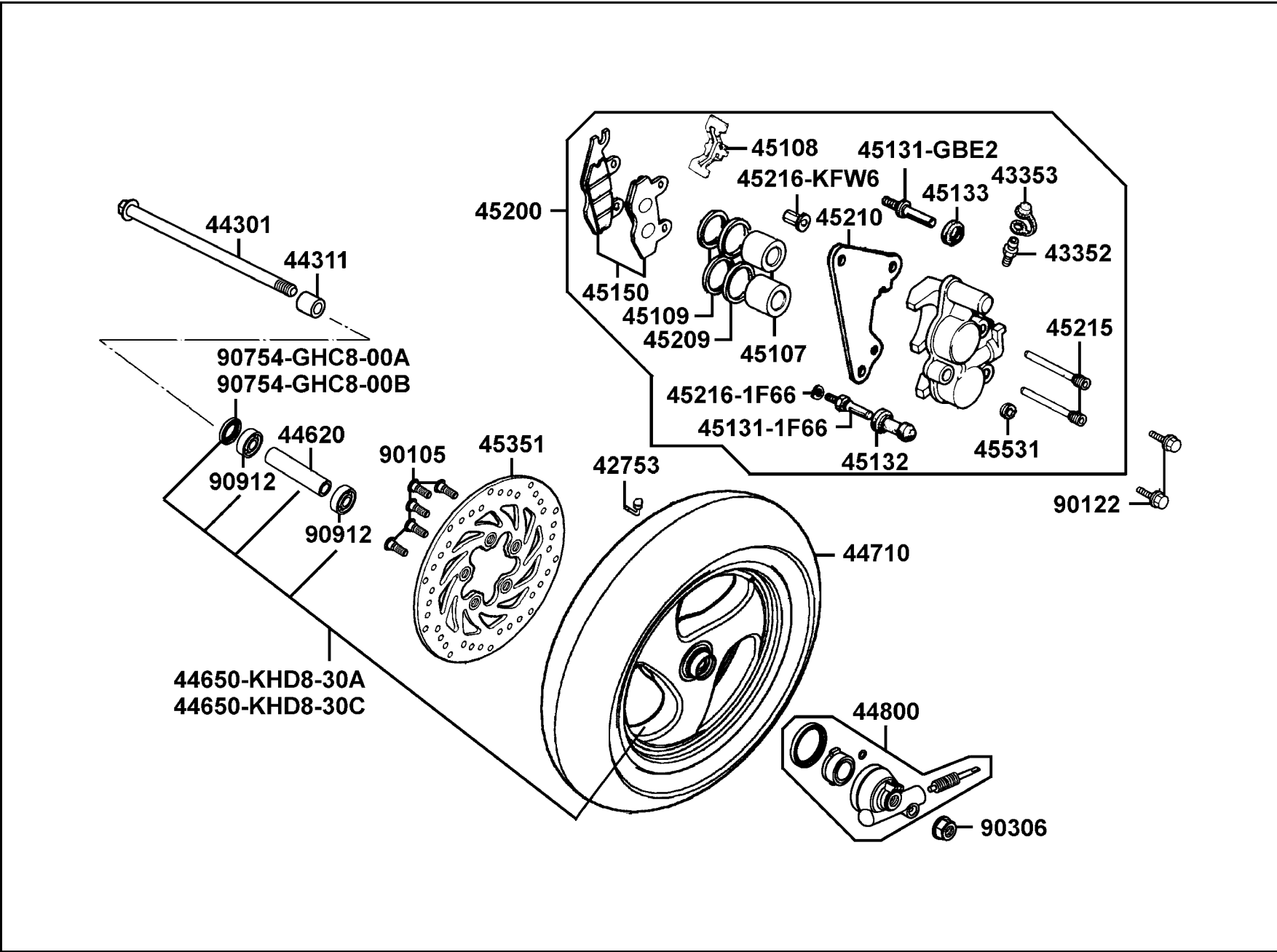
F06

| 販賣記號 Sales mark | 項目 Ref no | 零件號碼 Part no | 版數 Ver | 英文名稱 Description | 中文名稱 Chinese | 需要用量 Regd no | 參考價 Ref Price |
|-----------------------|--------------|-----------------|-----------|---------------------------|-----------------|-----------------|------------------|
| | | 33731-KHC5-M00 | 1 | REFLEX REFLECTOR | 反光鏡片 | 2 | |
| | | 45156-KECE-900 | 1 | CLAMPER FR BRK CABLE | 導線夾 | 1 | |
| | | 50306-1F96-001 | 0 | NUT STRG STEM LOCK | 主幹螺帽 | 1 | |
| ** | | 51400-KKC4-900 | 2 | FORK ASSY R FR | 右前避震器組 | 1 | |
| ** | | 5150A-KKC4-900 | 3 | FORK SET L FR | 左前避震器組 | 1 | |
| | | 53200-KKC2-900 | 2 | STEM COMP STRG | 轉向主桿 | 1 | |
| | | 53211-GFY6-940 | 1 | RACE STRG TOP CONE | 上錐體座圈 | 1 | |
| | | 53212-2L50-011 | 0 | RACE (STRG BOTTOM) CONE | 下錐體座圈 | 1 | |
| | | 53214-2L50-001 | 0 | DUST SEAL STRG (HEAD) | 防塵油封 | 1 | |
| | | 53215-2L50-001 | 0 | WASHER STRG HDL DUST-SEAL | 華司 | 1 | |
| ** | | 61110-KKC4-M30 | 0 | FENDER FR | 前土除 | 1 | |
| | | 90110-KEB7-900 | 1 | SCREW SPECIAL 6*14 | 特殊螺絲 6*14 | 4 | |
| | | 94050-06080 | 0 | NUT FLANGE 6MM | 特殊螺帽 6MM | 2 | |
| | | 95701-06012-08 | 0 | BOLT FLANGE 6*12 | 螺絲 6*12 | 1 | |
| | | 95801-08040-08 | 0 | BOLT FLANGE 8*40 | 螺絲 8*40 | 4 | |
| | | 96211-05000 | 0 | BALL STEEL #5 | 鋼珠 #5 | 26 | |
| | | 96211-08000 | 0 | BALL STEEL #8 | 鋼珠 #8 | 19 | |

F07

Front Wheel

前
輪



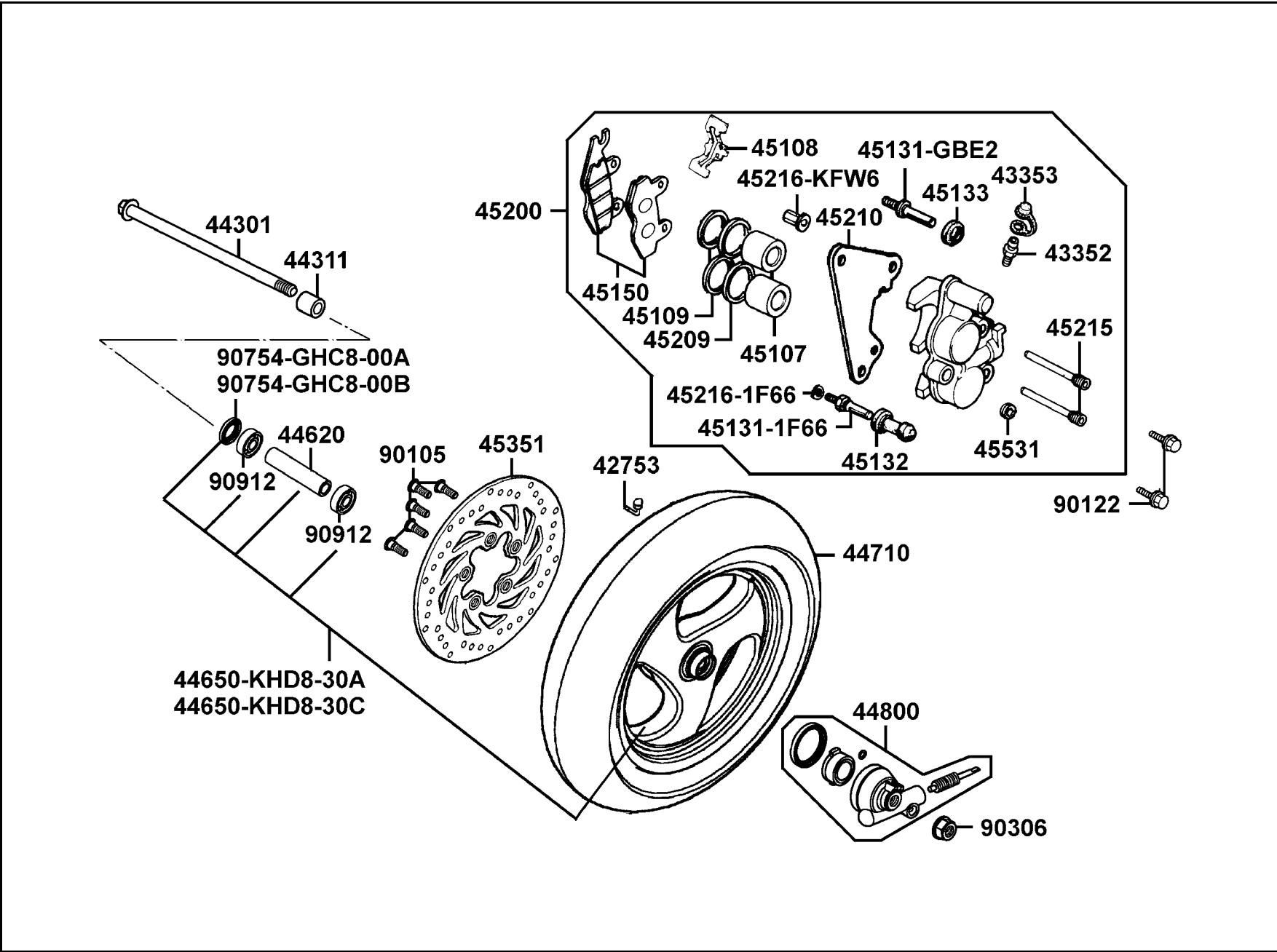
F07

| 販賣記號 Sales mark | 項目 Ref no | 零件號碼 Part no | 版數 Ver | 英文名稱 Description | 中文名稱 Chinese | 需要用量 Regd no | 參考價 Ref Price |
|-----------------------|--------------|-----------------|-----------|-------------------------|-----------------|-----------------|------------------|
| | | 42753-KNBN-90B | 1 | RIM VALVE (PVR-70B) | 打氣嘴 | 1 | |
| | | 43352-5H68-004 | 3 | SCREW BLEEDER | 加油嘴 | 1 | |
| | | 43353-4A61-77A | 0 | CAP BLEEDER | 加油嘴蓋 | 1 | |
| | | 44301-KXCX-900 | 4 | AXLE FR WHEEL | 前輪軸 | 1 | |
| | | 44311-KEBE-900 | 0 | COLLAR FR WHEEL SIDE | 前輪邊套筒 | 1 | |
| | | 44620-KHD8-900 | 1 | COLLAR FR AXLE DISTANCE | 前輪軸距套筒 | 1 | |
| ** | | 44650-KHD8-30A | 3 | WHEEL SET FR | 前輪圈組 | 1 | |
| ** | | 44650-KHD8-30C | 4 | WHEEL SET FR | 前輪圈組 | 1 | |
| | | 44710-KKC4-900 | 3 | TIRE ASSY FR | 前輪胎 | 1 | |
| | | 44800-KFA5-900 | 1 | GEAR BOX ASSY | 速度齒輪箱組 | 1 | |
| | | 45107-MEN5-007 | 0 | PISTON | 卡鉗活塞 | 2 | |
| | | 45108-MDL4-007 | 2 | PAD SPG | 煞車摩擦片彈簧 | 1 | |
| | | 45109-GBE2-007 | 0 | DUST SEAL | 防塵封 | 2 | |
| | | 45131-1F66-017 | 0 | PIN BOLT | 卡鉗螺絲銷 | 1 | |
| | | 45131-GBE2-007 | 1 | PIN BOLT A | 卡鉗螺絲銷 A | 1 | |
| | | 45132-1F66-017 | 0 | BUSH BOOT PIN | 卡鉗襯套 | 1 | |
| | | 45133-MCA3-007 | 0 | BOOT B | 襯套 | 1 | |
| | | 45150-LLB5-305 | 0 | PAD COMP | 煞車摩擦板組 | 1 | |
| ** | | 45200-KKC2-E00 | 1 | CALIPER ASSY FR | 前煞車卡鉗 | 1 | |
| | | 45209-GBE2-007 | 0 | SEAL PISTON | 油封 | 2 | |

F07

Front Wheel

前
輪



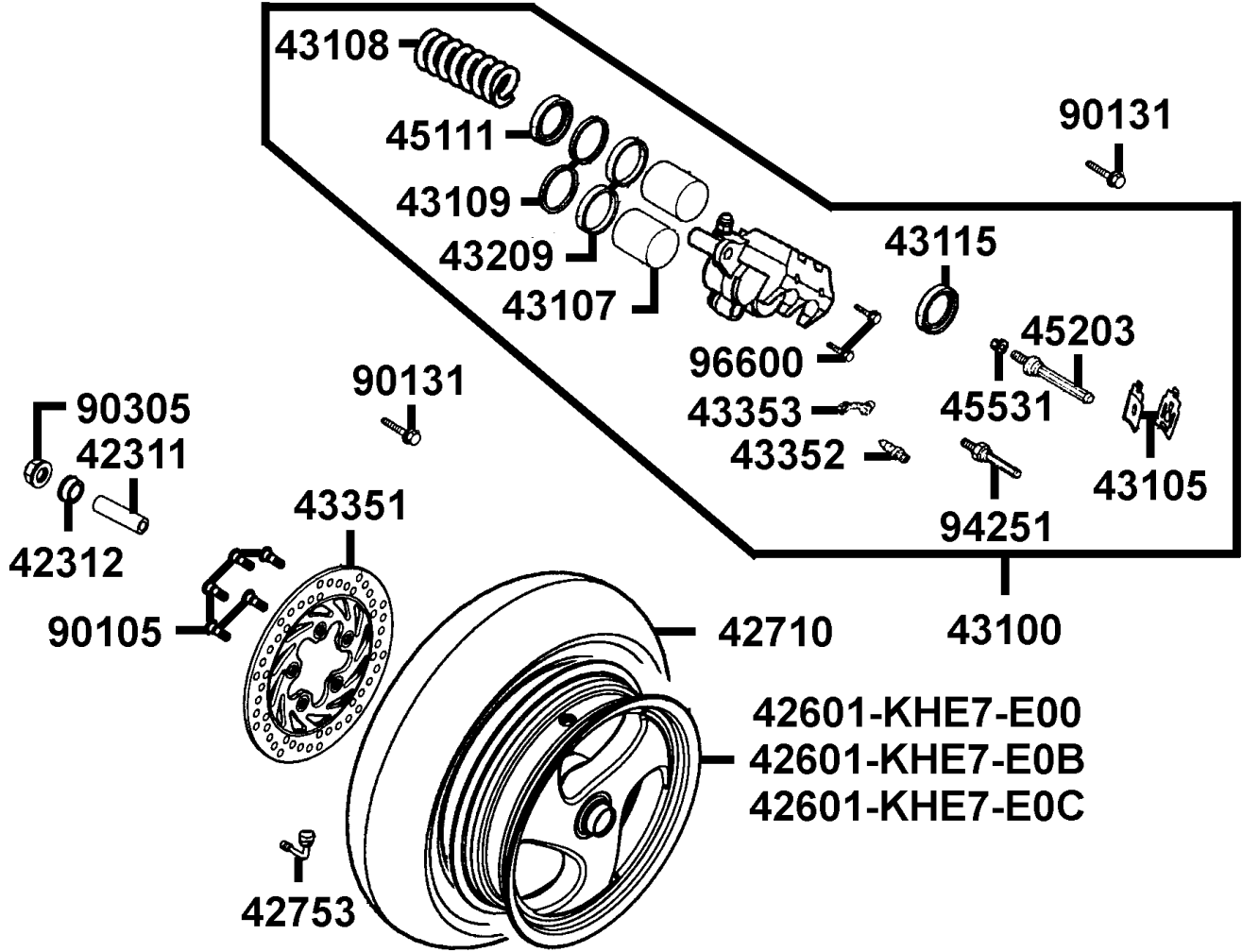
F07

| 販賣記號 Sales mark | 項目 Ref no | 零件號碼 Part no | 版數 Ver | 英文名稱 Description | 中文名稱 Chinese | 需要用量 Regd no | 參考價 Ref Price |
|-----------------------|--------------|-----------------|-----------|---------------------|-----------------|-----------------|------------------|
| | | 45210-KHD8-900 | 0 | BRACKET FR | 前煞車卡鉗托架 | 1 | |
| | | 45215-KECE-900 | 0 | PIN HANGER | 卡鉗吊架銷 | 2 | |
| | | 45216-1F66-007 | 0 | WASHER WAVE | 華司 | 1 | |
| | | 45216-KFW6-90A | 0 | TORQUE NUT | 特殊螺帽 | 1 | |
| | | 45351-KHE7-E00 | 1 | DISK RR BRAKE | 前煞車摩擦圓盤 | 1 | |
| | | 45531-GAR1-951 | 0 | PLUG | 塞蓋 | 1 | |
| | | 90105-KCR3-001 | 1 | BOLT FR DISK 8*24 | 螺絲 8X24 | 5 | |
| | | 90122-KEBE-900 | 2 | BOLT FLANGE 8X32 | 螺絲 8X32 | 2 | |
| | | 90306-KLF0-901 | 0 | NUT FLANGE 12MM | 螺帽 12MM | 1 | |
| | | 90754-GHC8-00A | 1 | DUST SEAL 20*32*5 | 油封 20X32X5 | 1 | |
| | | 90754-GHC8-00B | 1 | DUST SEAL 20*32*5 | 油封 20X32X5 | 1 | |
| | | 90912-KFLF-00A | 0 | BEARING 6201 LLU | 軸承 6201 | 2 | |

F08

Rear Wheel

後輪

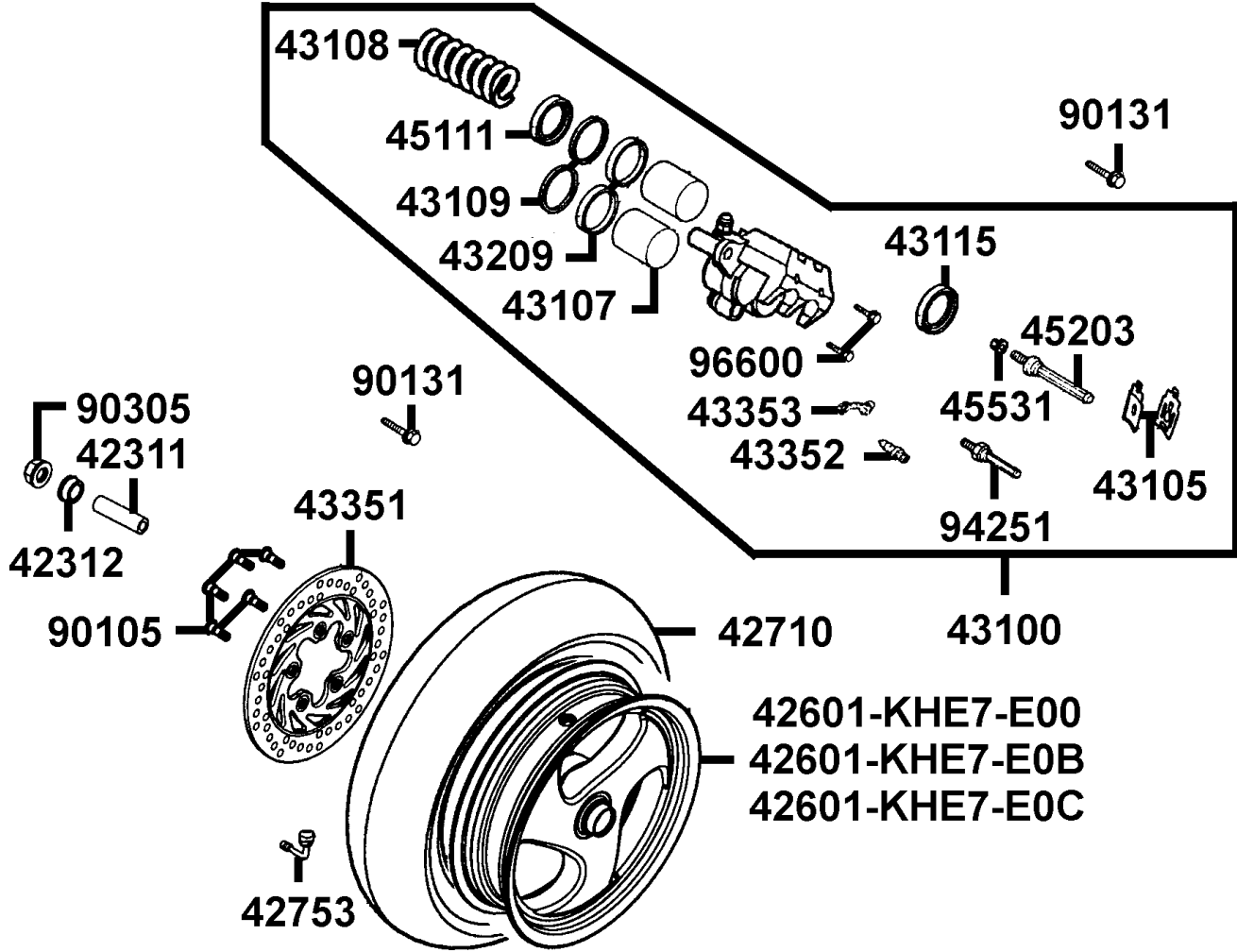


| 販賣記號 Sales mark | 項目 Ref no | 零件號碼 Part no | 版數 Ver | 英文名稱 Description | 中文名稱 Chinese | 需要用量 Regd no | 參考價 Ref Price |
|-----------------------|--------------|-----------------|-----------|---------------------|-----------------|-----------------|------------------|
| | | 42311-KHE7-E00 | 0 | COLLAR RR AXLE A | 後輪軸套筒 A | 1 | |
| | | 42312-KHE7-E00 | 0 | COLLAR RR AXLE SIDE | 後輪軸邊套筒 | 1 | |
| ** | | 42601-KHE7-E00 | 2 | WHEEL RR CAST | 後輪圈 | 1 | |
| ** | | 42601-KHE7-E0B | 1 | WHEEL RR CAST | 後輪圈 | 1 | |
| ** | | 42601-KHE7-E0C | 2 | WHEEL RR CAST | 後輪圈 | 1 | |
| | | 42710-KKC4-900 | 2 | TIRE ASSY RR | 後輪胎 | 1 | |
| | | 42753-KNBN-90B | 1 | VALVE (TR 412) | 打氣嘴 | 1 | |
| ** | | 43100-KKC4-900 | 0 | CALIPER ASSY RR | 後煞車卡鉗組 | 1 | |
| | | 43105-KKC4-900 | 0 | PAD COMP | 煞車摩擦板 | 2 | |
| | | 43107-KKC4-900 | 0 | PISTON | 卡鉗活塞 | 2 | |
| | | 43108-KKC4-900 | 0 | SPRING PAD | 摩擦板彈簧 | 1 | |
| | | 43109-KKC4-900 | 0 | DUST SEAL | 防塵封 | 2 | |
| | | 43115-KKC4-900 | 0 | COVER DUST | 防塵蓋 | 1 | |
| | | 43209-KKC4-900 | 0 | SEAL PISTON | 活塞油封 | 2 | |
| | | 43351-KHE7-E00 | 2 | DISK RR BRAKE | 後煞車圓盤 | 1 | |
| | | 43352-5H68-004 | 3 | SCREW BLEEDER | 加油嘴 | 1 | |
| | | 43353-4A61-77A | 0 | CAP BLEEDER | 加油嘴蓋 | 1 | |
| | | 45111-KKC4-900 | 0 | SEAL | 油封 | 1 | |
| | | 45203-KKC4-900 | 0 | PIN HANGER | 吊架銷 | 1 | |
| | | 45531-GAR1-951 | 0 | PLUG | 塞蓋 | 1 | |

F08

Rear Wheel

後輪

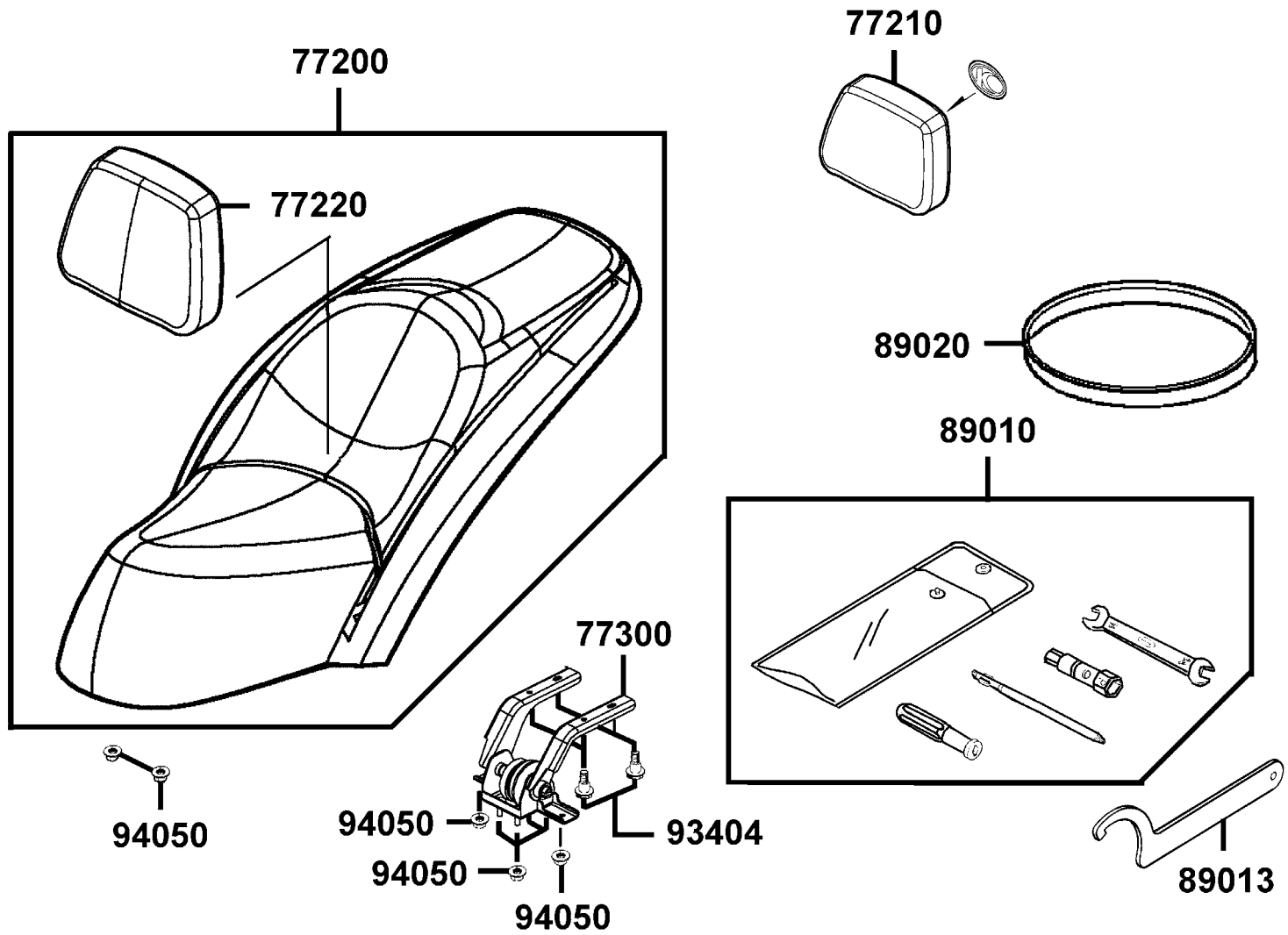


F08

| 販賣記號 Sales mark | 項目 Ref no | 零件號碼 Part no | 版數 Ver | 英文名稱 Description | 中文名稱 Chinese | 需要用量 Regd no | 參考價 Ref Price |
|-----------------------|--------------|-----------------|-----------|---------------------|-----------------|-----------------|------------------|
| | | 90105-KCR3-001 | 1 | BOLT FR DISK 8*24 | 螺絲 8*24 | 5 | |
| | | 90131-GLW0-911 | 0 | BOLT FLANGE 8*35 | 螺絲 8*35 | 2 | |
| | | 90305-KFW6-91A | 0 | NUT U FLANGE 16MM | 螺帽 16MM | 1 | |
| | | 94251-08400 | 0 | PIN LOCK 8MM | 固定銷 8MM | 1 | |
| | | 96600-KKC4-900 | 0 | SOCKET BOLT | 螺絲 | 2 | |

F09 **Seat**

座墊



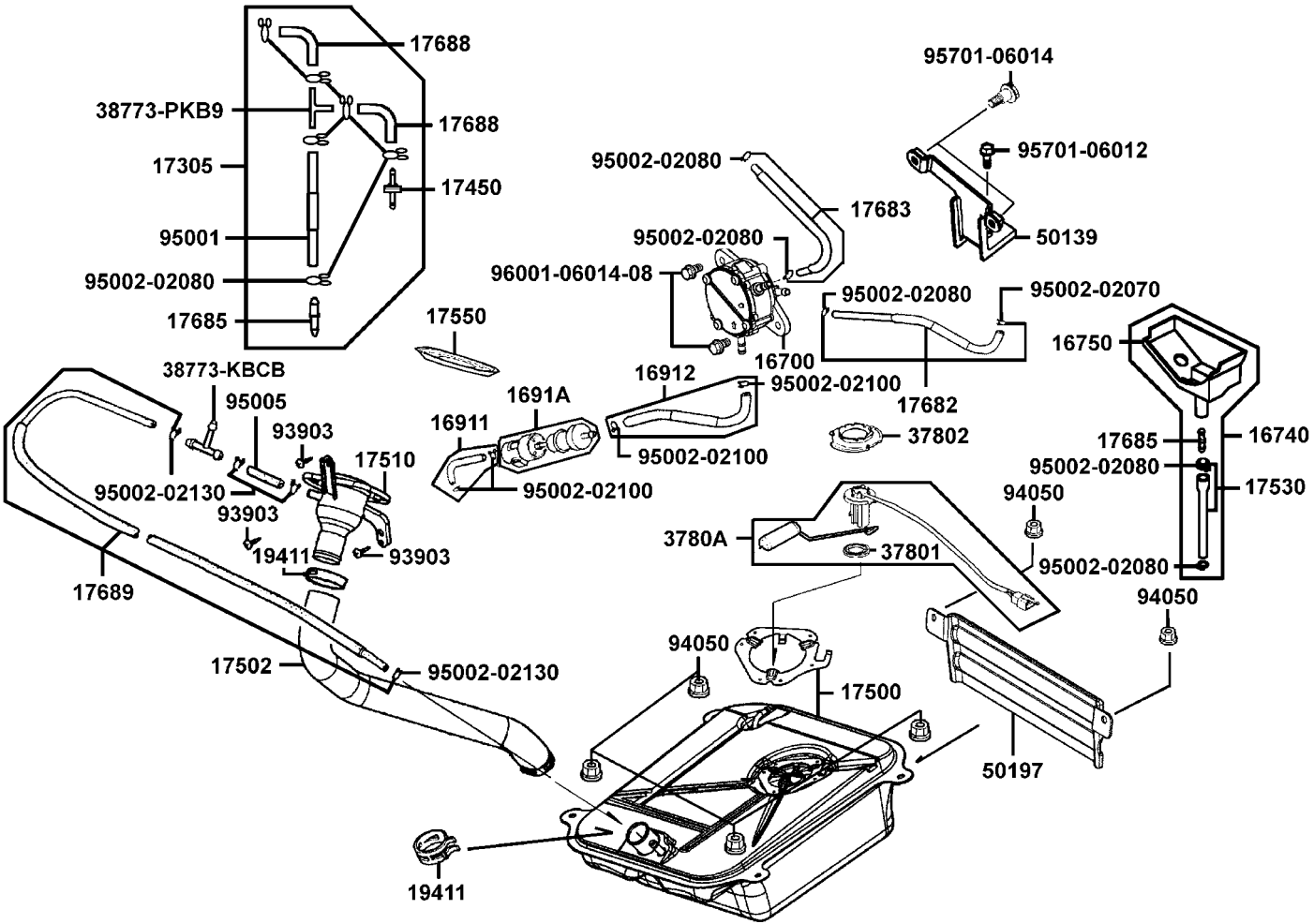
F09

| 販賣記號 Sales mark | 項目 Ref no | 零件號碼 Part no | 版數 Ver | 英文名稱 Description | 中文名稱 Chinese | 需要用量 Regd no | 參考價 Ref Price |
|-----------------------|--------------|-----------------|-----------|-----------------------|-----------------|-----------------|------------------|
| ** | | 77200-KKC4-B24 | 2 | SEAT ASSY | 座墊 | 1 | |
| ** | | 77210-KKC4-900 | 0 | SEAT ASSY BACK | 後座墊靠 | 1 | |
| | | 77220-KKC4-B24 | 1 | SEAT ASSY PAD | 前座墊靠 | 1 | |
| | | 77300-KKC4-800 | 1 | HINGE ASSY SEAT | 座墊鉸鏈 | 1 | |
| | | 89010-KKC4-800 | 1 | TOOL SET | 工具包組 | 1 | |
| | | 89013-KFC8-E00 | 1 | ADJUSTER REAR CUSHION | 後避震器調整工具 | 1 | |
| | | 89020-KKC4-900 | 1 | BAND TOOL SET | 束帶 | 1 | |
| | | 93404-06016-06 | 0 | BOLT WASHER 6*16 | 螺絲 6*16 | 4 | |
| | | 94050-06080 | 0 | NUT FLANGE 6MM | 螺帽 6MM | 8 | |

F10

Fuel Tank

油箱



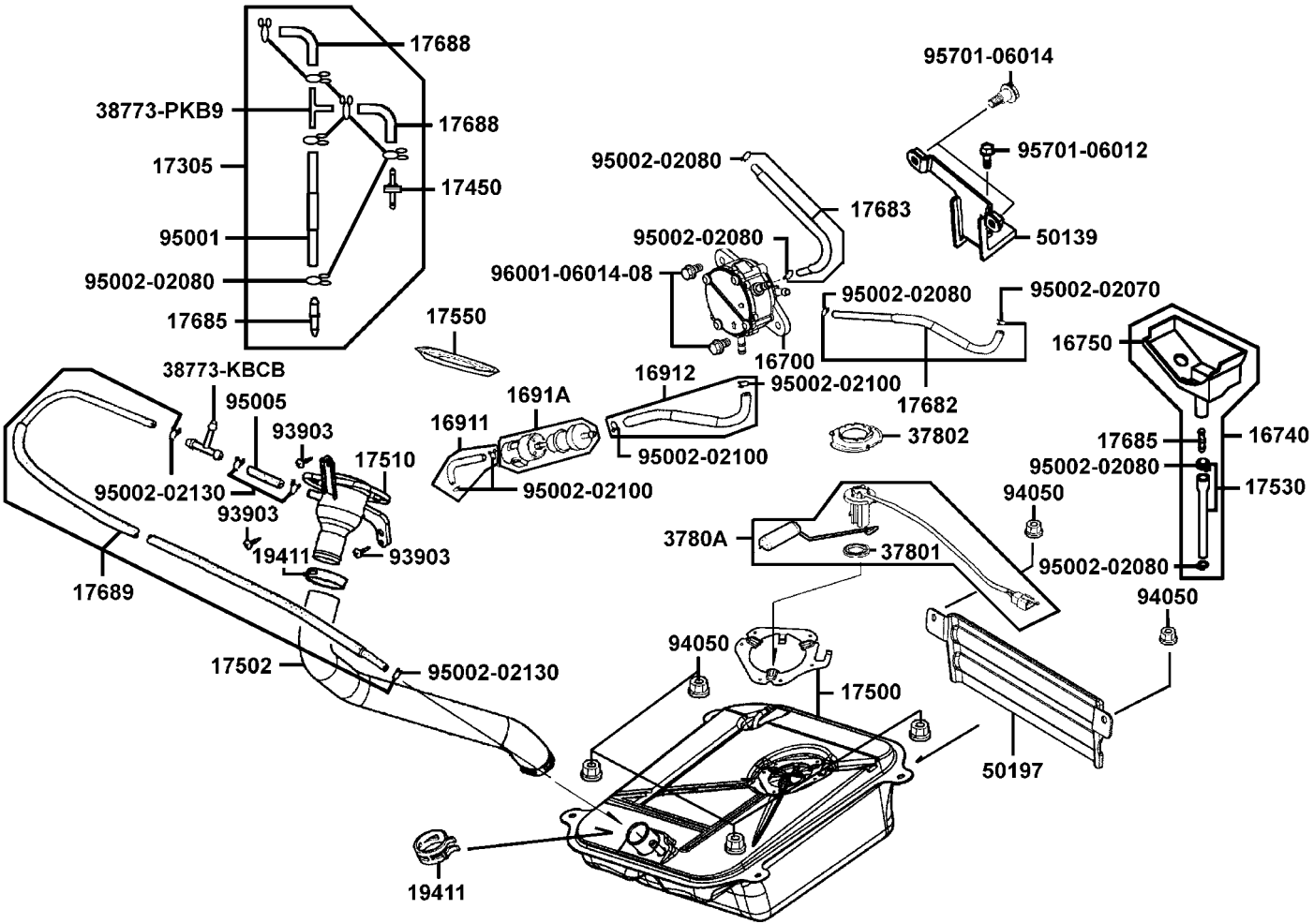
F10

| 販賣記號 Sales mark | 項目 Ref no | 零件號碼 Part no | 版數 Ver | 英文名稱 Description | 中文名稱 Chinese | 需要用量 Regd no | 參考價 Ref Price |
|-----------------------|--------------|-----------------|-----------|---------------------------------|-----------------|-----------------|------------------|
| | | 16700-KHE7-900 | 5 | FUEL PUMP ASSY | 汽油泵浦 | 1 | |
| | | 16740-LLJ3-M30 | 1 | LEAK COLLECTOR COMP | 集漏器 | 1 | |
| | | 16750-KHE7-900 | 1 | LEAK COLLECTOR FUEL PUMP | 集漏箱 | 1 | |
| | | 16911-KKC4-MY0 | 0 | TUBE ASSY TANK TO STRAINER | 油管組 | 1 | |
| | | 16912-KKC4-MY0 | 0 | TUBE ASSY STRAINER TO FUEL PUMP | 油管組 | 1 | |
| | | 1691A-KEC2-E00 | 0 | STRAINER ASSY FUEL | 汽油濾清器 | 1 | |
| | | 17305-KKC4-M30 | 0 | TUBE ASSY TANK-VAPOR CONTROL V | 通氣管 | 1 | |
| | | 17450-KED9-M30 | 1 | VALVE COMP ONE WAY | 門閥控制器 | 1 | |
| | | 17500-KKC4-900 | 2 | TANK COMP FUEL | 油箱 | 1 | |
| | | 17502-KKC4-MY0 | 2 | TUBE FUEL | 油管 | 1 | |
| | | 17510-KKC4-900 | 0 | PIPE ASSY FUEL FILLER | 加油漏斗 | 1 | |
| | | 17530-KGB5-900 | 1 | TUBE ASSY DRAIN | 油管組 | 1 | |
| | | 17550-KHC4-900 | 0 | TRAY FUEL CAP | 油箱護蓋 | 1 | |
| | | 17682-KKC4-900 | 0 | TUBE ASSY VACUUM | 真空管組 | 1 | |
| | | 17683-KKC4-MY0 | 0 | TUBE ASSY FUEL | 油管組 | 1 | |
| | | 17685-KZCZ-900 | 0 | JOINT TUBE | 通氣管接頭 | 2 | |
| | | 17688-KHE7-M30 | 1 | TUBE ASSY JOINT-ONE WAY | 通氣管 | 2 | |
| | | 17689-KEBE-900 | 1 | TUBE ASSY TANK-TO 3 WJT | 油管 | 1 | |
| | | 19411-KBCB-900 | 0 | CLIP HOSE | 管夾 | 2 | |
| | | 37801-KEB7-MY0 | 0 | PACKING BASE | 墊圈盤 | 1 | |

F10

Fuel Tank

油箱



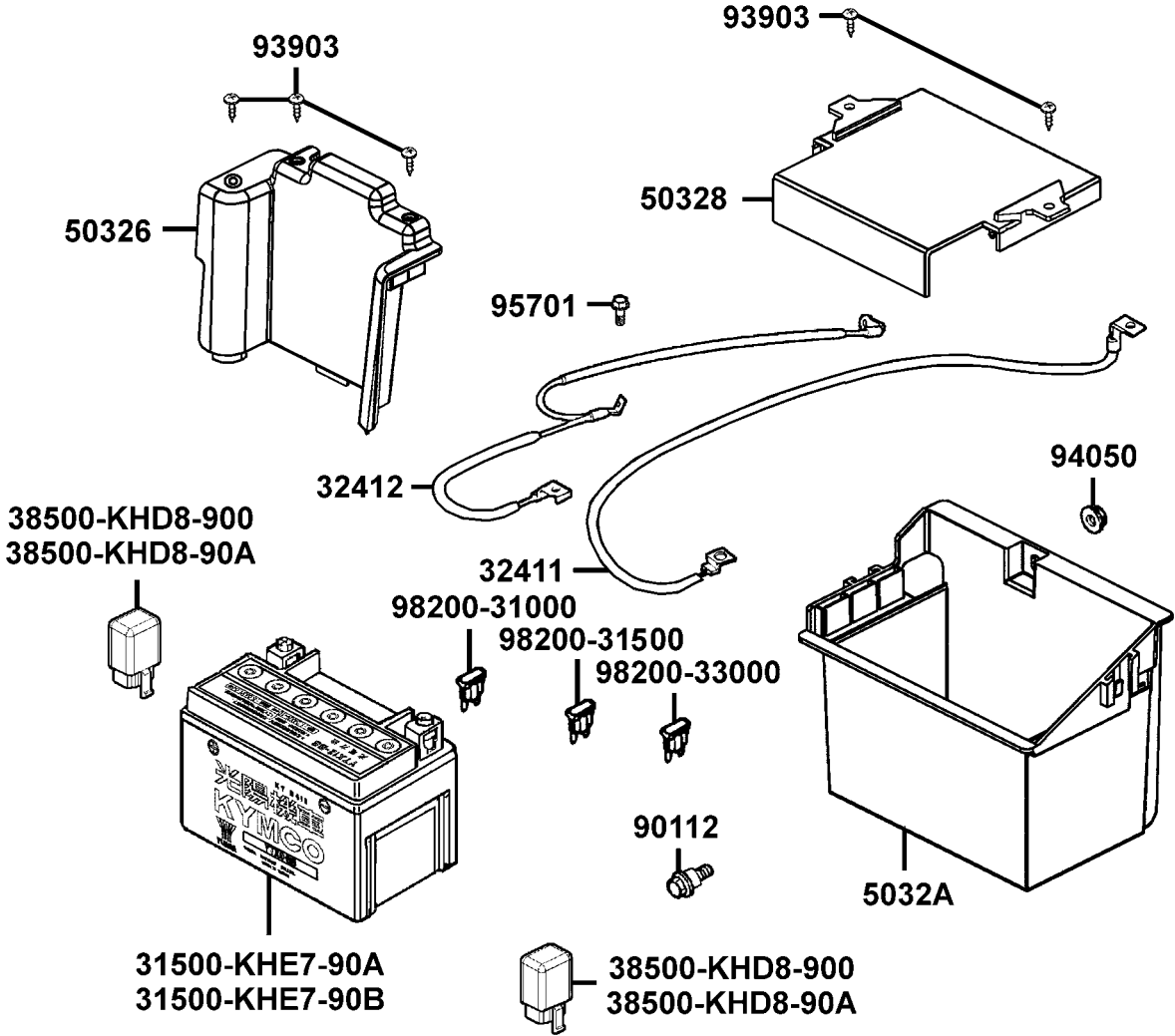
F10

| 販賣記號 Sales mark | 項目 Ref no | 零件號碼 Part no | 版數 Ver | 英文名稱 Description | 中文名稱 Chinese | 需要用量 Regd no | 參考價 Ref Price |
|-----------------------|--------------|-----------------|-----------|---------------------|-----------------|-----------------|------------------|
| | | 37802-GGA7-701 | 2 | RET FUEL UNIT | 浮筒計承件 | 1 | |
| | | 3780A-KKC4-MY0 | 1 | FUEL UNIT ASSY | 油量指示器組 | 1 | |
| | | 38773-KBCB-900 | 0 | JOINT 3 WAY | 三向管接頭 | 1 | |
| | | 38773-PKB9-001 | 0 | JOINT 3 WAY 3.5 | 三向管接頭 | 1 | |
| | | 50139-KKC4-800 | 1 | BRKT FUEL PUMP | 汽油泵蓋支架 | 1 | |
| | | 50197-KKC4-900 | 1 | STAY FLOOR | 踏板支架 | 1 | |
| | | 93903-35220 | 0 | SCREW TAPPING 5*12 | 螺釘 5*12 | 3 | |
| | | 94050-06080 | 0 | NUT FLANGE 6MM | 螺帽 6MM | 6 | |
| | | 95001-451050-60 | 0 | TUBE FUEL 4.5*1050 | 油管 4.5*1050 | 1 | |
| | | 95002-02070 | 0 | CLIP B7 TUBE | 管夾 | 1 | |
| | | 95002-02080 | 0 | CLIP B8 TUBE | 管夾 | 11 | |
| | | 95002-02100 | 0 | CLIP B10 TUBE | 管夾 | 4 | |
| | | 95002-02130 | 0 | CLIP B12.5 TUBE | 管夾 | 4 | |
| | | 95005-80025-20 | 0 | TUBE 8*25 | 油管 8*25 | 1 | |
| | | 95701-06012-08 | 0 | BOLT FLANGE 6*12 | 螺絲 6*12 | 1 | |
| | | 95701-06014-08 | 0 | BOLT FLANGE 6*14 | 螺絲 6*14 | 2 | |
| | | 96001-06014-08 | 0 | BOLT FLANGE SH 6*14 | 螺絲 6*14 | 2 | |

F11

Battery

電
瓶



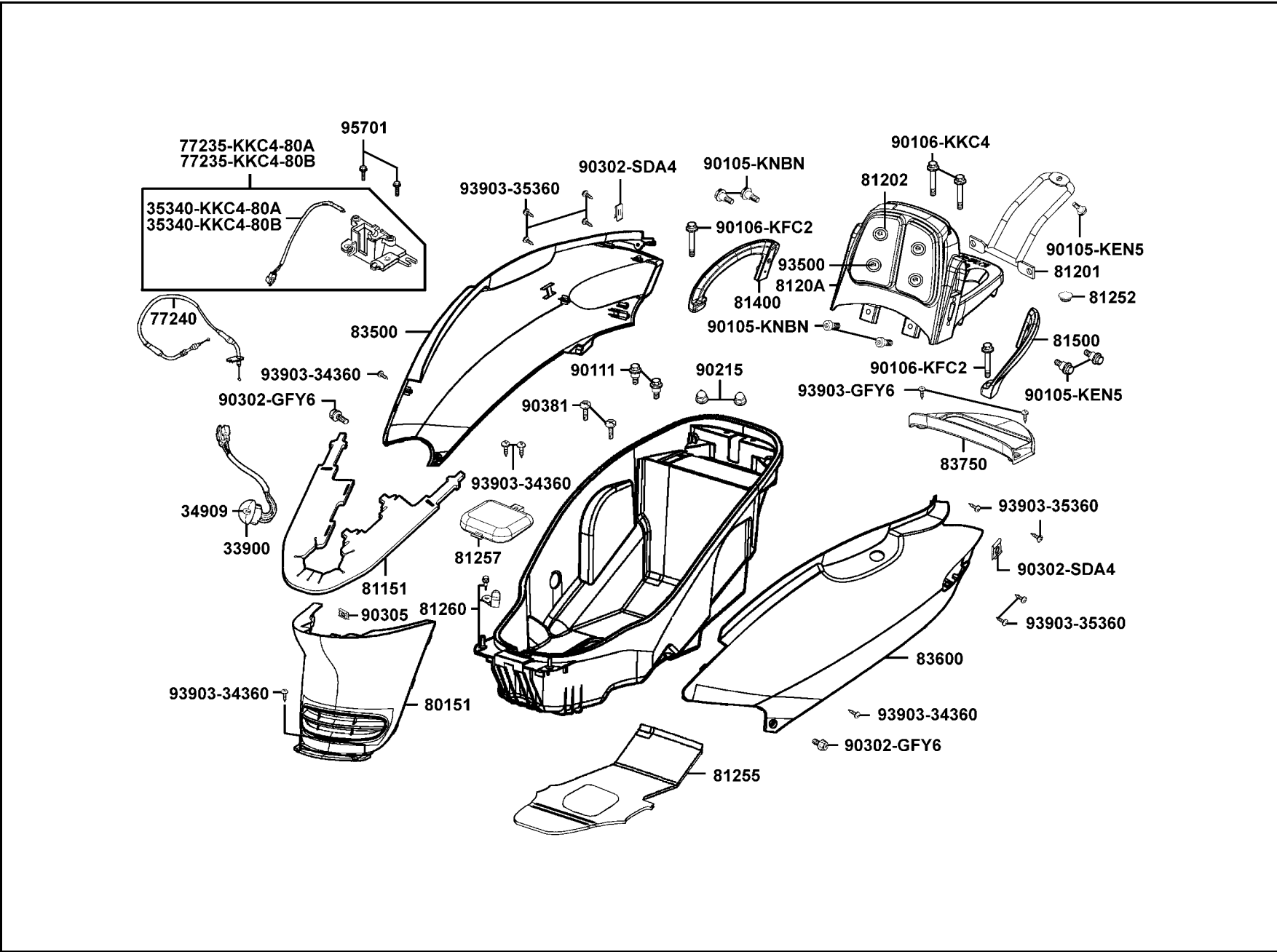
| 販賣記號 Sales mark | 項目 Ref no | 零件號碼 Part no | 版數 Ver | 英文名稱 Description | 中文名稱 Chinese | 需要用量 Regd no | 參考價 Ref Price |
|-----------------------|--------------|-----------------|-----------|---------------------|-----------------|-----------------|------------------|
| | | 31500-KHE7-90A | 2 | BATTERY YTX12-BS | 電瓶 | 1 | |
| | | 31500-KHE7-90B | 2 | BATTERY GTX12-BS | 電瓶 | 1 | |
| | | 32411-KKC4-800 | 1 | CABLE BATTERY | 電瓶導線 | 1 | |
| | | 32412-KKC4-800 | 2 | CABLE EARTH | 電瓶接地線 | 1 | |
| | | 38500-KHD8-900 | 0 | RELAY ASSY LIGHT | 繼電器 | 2 | |
| | | 38500-KHD8-90A | 0 | RELAY ASSY LIGHT | 繼電器 | 2 | |
| ** | | 50326-KKC4-800 | 2 | COVER BATTERY | 電瓶盒蓋 | 1 | |
| | | 50328-KKC4-800 | 2 | BAND BATTERY | 電瓶束帶 | 1 | |
| | | 5032A-KKC4-800 | 2 | CASE ASSY BATTERY | 電瓶箱 | 1 | |
| | | 90112-KNBN-901 | 1 | BOLT FLANGE 6MM | 螺絲 6MM | 1 | |
| | | 93903-GFY6-900 | 1 | SCREW TAPPING 4*14 | 螺釘 4*14 | 5 | |
| | | 94050-06080 | 0 | NUT FLANGE 6MM | 螺帽 6MM | 1 | |
| | | 95701-06012-08 | 0 | BOLT FLANGE 6*12 | 螺絲 6*12 | 1 | |
| | | 98200-31000 | 1 | BLADE FUSE 10A | 保險絲 10A | 1 | |
| | | 98200-31500 | 0 | BLADE FUSE 15A | 保險絲 15A | 1 | |
| | | 98200-33000 | 0 | BLADE FUSE 30A | 保險絲 30A | 1 | |

F12

Body Cover Luggage Box

車
體
蓋

行
李
箱



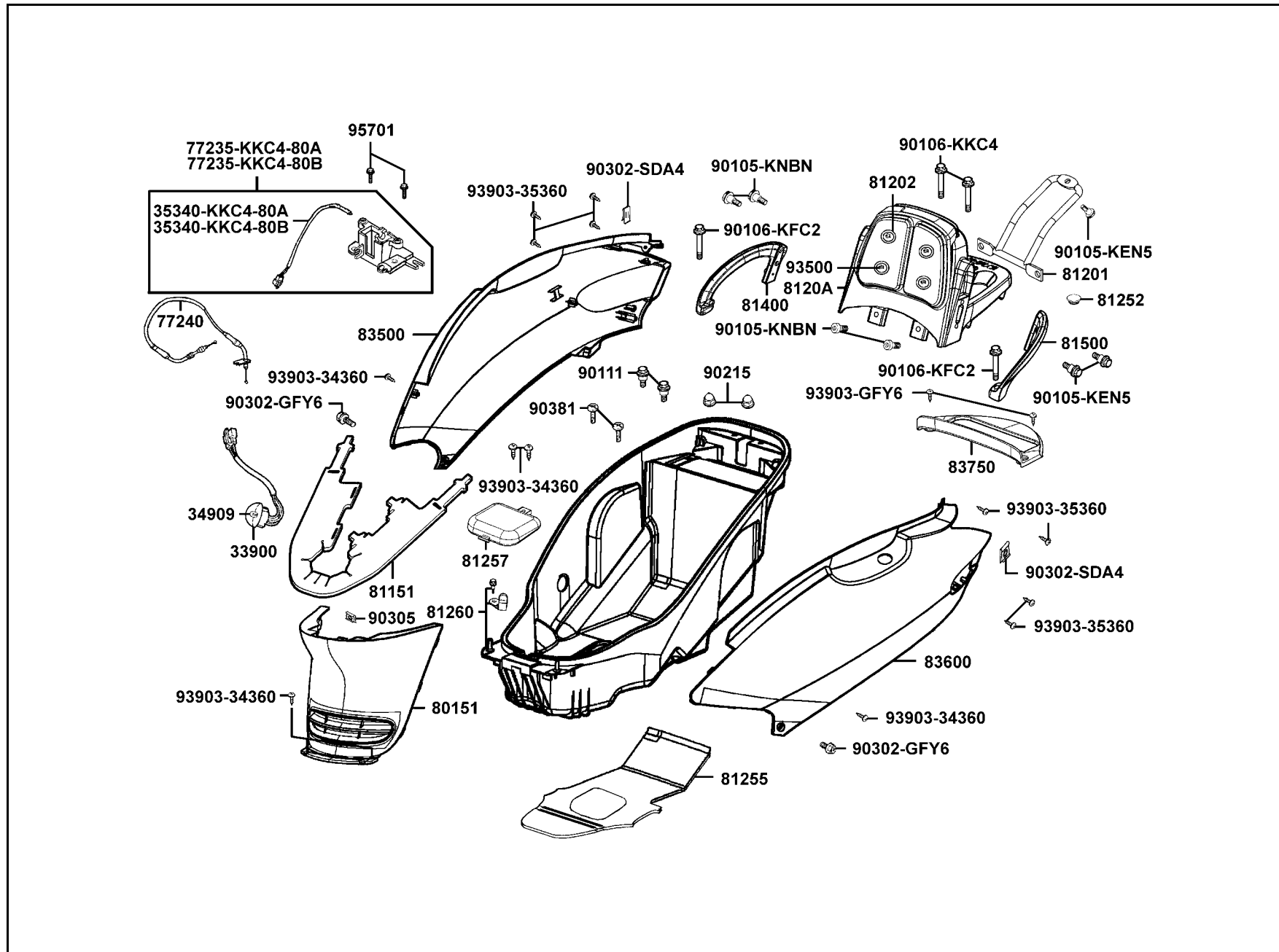
| 販賣記號 Sales mark | 項目 Ref no | 零件號碼 Part no | 版數 Ver | 英文名稱 Description | 中文名稱 Chinese | 需要用量 Regd no | 參考價 Ref Price |
|-----------------------|--------------|-----------------|-----------|------------------------|-----------------|-----------------|------------------|
| | | 33900-KFBF-900 | 0 | LIGHT ASSY LUGGAGE BOX | 行李箱照明燈 | 1 | |
| | | 34909-KFBF-900 | 0 | BULB WEDGE BASE | 燈泡 | 1 | |
| | | 35340-KKC4-80A | 0 | STOP SWITCH | 行李箱燈開關 | 1 | |
| | | 35340-KKC4-80B | 0 | STOP SWITCH | 行李箱燈開關 | 1 | |
| | | 77235-KKC4-80A | 0 | CATCH SET SEAT | 座墊檔器 | 1 | |
| | | 77235-KKC4-80B | 0 | CATCH SET SEAT | 座墊檔器 | 1 | |
| | | 77240-LLJ3-E01 | 1 | CABLE COMP SEAT LOCK | 座墊鎖導線 | 1 | |
| ** | | 80151-KKC4-900 | 0 | PLATE HEAT GUARD | 防熱板 | 1 | |
| | | 81151-KKC4-900 | 0 | PLATE HEAT GUARD | 防熱板 | 1 | |
| | | 81201-KKC4-800 | 1 | POWER BAR RR CARRIER | 後架拉柄 | 1 | |
| | | 81202-KKC4-900 | 0 | UNBRELLALIKE CLASP | 後座座墊連接套筒 | 4 | |
| | | 8120A-KKC4-900 | 6 | CARRIER ASSY RR | 後架 | 1 | |
| | | 81252-KKC4-800 | 2 | PLUG LUGGAGE BOX | 置物箱蓋 | 1 | |
| | | 81255-KKC4-800 | 1 | BAG LUGGAGE | 置物箱內襯 | 1 | |
| | | 81257-KKC4-800 | 1 | COVER CARB MAINT | 汽化器保養蓋 | 1 | |
| | | 81260-KKC4-700 | 3 | BOX ASSY LUGGAGE | 行李箱組 | 1 | |
| ** | | 81400-KKC4-900 | 0 | SIDE R GRIP | 右握桿 | 1 | |
| ** | | 81500-KKC4-900 | 0 | SIDE L GRIP | 左握桿 | 1 | |
| ** | | 83500-KKC4-800 | 2 | COVER R BODY | 車體右邊蓋 | 1 | |
| ** | | 83600-KKC4-800 | 2 | COVER L BODY | 車體左邊蓋 | 1 | |

F12

Body Cover Luggage Box

車
體
蓋

行
李
箱



F12

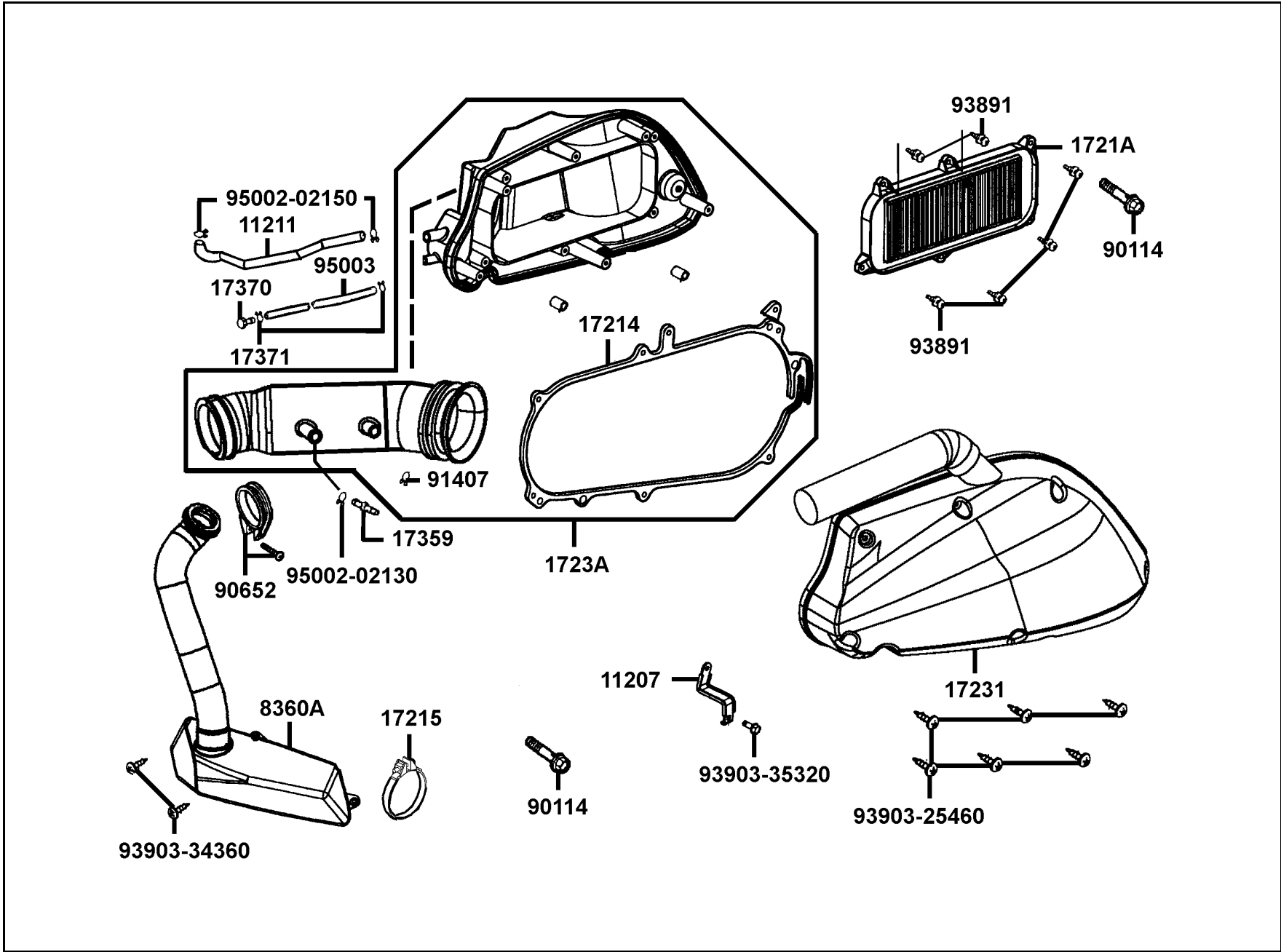
| 販賣記號 Sales mark | 項目 Ref no | 零件號碼 Part no | 版數 Ver | 英文名稱 Description | 中文名稱 Chinese | 需要用量 Regd no | 參考價 Ref Price |
|-----------------------|--------------|-----------------|-----------|---------------------|-----------------|-----------------|------------------|
| ** | | 83750-KKC4-900 | 1 | COVER RR CENTER | 後中心蓋 | 1 | |
| | | 90105-KNBN-901 | 0 | BOLTSPECIAL 8MM | 螺絲 8MM | 6 | |
| | | 90105-KEN5-001 | 0 | BOLT DISK 6*17 | 螺絲 6*17 | 1 | |
| | | 90106-KFC2-900 | 0 | BOLT WASHER 8MM | 螺絲 8MM | 2 | |
| | | 90106-KKC4-900 | 0 | BOLT WASHER 8*19.5 | 螺絲 8MM | 2 | |
| | | 90111-1G87-001 | 1 | BOLT FLANGE 6MM | 螺絲 6MM | 2 | |
| | | 90215-KKC4-900 | 1 | NUT CAP 6MM | 螺帽 6MM | 2 | |
| | | 90302-GFY6-940 | 1 | BOLT WASH 5*16 | 螺絲 5*16 | 2 | |
| | | 90302-SDA4-004 | 1 | NUT SPRING 4MM | 夾螺帽 4MM | 2 | |
| | | 90305-GHK8-001 | 1 | NUT CLIP 6MM | 夾螺帽 6MM | 1 | |
| | | 90381-GEZ5-001 | 1 | SCREW SPECIAL 6*17 | 特殊螺絲 6*17 | 2 | |
| | | 93500-04012-0H | 0 | SCREW 4*12 | 螺絲 4*12 | 4 | |
| | | 93903-34360 | 0 | SCREW TAPPING 4*12 | 螺釘 4*12 | 6 | |
| | | 93903-35360 | 0 | SCREW TAPPING 5*16 | 螺釘 5*16 | 8 | |
| | | 93903-GFY6-900 | 1 | SCREW TAPPING 4*14 | 螺釘4*14 | 2 | |
| | | 95701-06012-08 | 0 | BOLT FLANGE 6*12 | 螺絲 6*12 | 2 | |

| 販賣記號 Sales mark | 項目 Ref no | 零件號碼 Part no | 版數 Ver | 英文名稱 Description | 中文名稱 Chinese | 需要用量 Regd no | 參考價 Ref Price |
|--------------------|--------------|-----------------|-----------|----------------------|-----------------|-----------------|------------------|
| | | 11207-KKC4-900 | 3 | STAY RR FENDER | 後土除支架 | 1 | |
| | | 11211-KKC4-900 | 0 | TUBE BREATHER | 通氣管 | 1 | |
| | | 17214-KKC3-900 | 0 | SEAL AIR/C COVER | 空氣濾清器蓋油封 | 1 | |
| | | 17215-KGBG-90A | 2 | CLIP ASSY AIR/C DUCT | 固定管夾 | 1 | |
| | | 1721A-KKC3-900 | 1 | ELEMENT ASSY AIR/C | 空氣濾清器海綿組 | 1 | |
| | | 17231-KKC3-900 | 3 | COVER COMP AIR/C | 空氣濾清器蓋 | 1 | |
| | | 1723A-KKC4-E00 | 3 | CASE ASSY AIR/C | 空氣濾清器箱組 | 1 | |
| | | 17359-4K19-671 | 0 | PLUG BREATHER TUBE | 管塞 | 1 | |
| | | 17370-4K19-670 | 0 | PLUG BREATHER TUBE | 管塞 | 1 | |
| | | 17371-1D74-671 | 0 | CLIP BREATHER TUBE | 通氣管夾 | 2 | |
| | | 8360A-KKC4-900 | 0 | CHAMBER ASSY AIR/C | 空氣室組 | 1 | |
| | | 90114-GDM4-011 | 1 | BOLT FLANGE SH 6*28 | 螺絲 6*28 | 2 | |
| | | 90652-KHE7-900 | 0 | BAND CONNECTING TUBE | 連接管固定帶 | 1 | |
| | | 91407-SGA7-004 | 0 | CLAMP 17 FUSE HOSE | 油管夾 | 1 | |
| | | 93891-05016-08 | 0 | SCREW WASHER 5*16 | 螺絲 5*16 | 6 | |
| | | 93903-25460 | 0 | SCREW TAPPING 5*20 | 螺釘 5*20 | 6 | |
| | | 93903-34360 | 0 | SCREW TAPPING 4*12 | 螺釘 4*12 | 2 | |
| | | 93903-35320 | 0 | SCREW TAPPING 5*16 | 螺釘 5*16 | 1 | |
| | | 95002-02130 | 0 | CLIP B 12.5 TUBE | 管夾 | 1 | |
| | | 95002-02150 | 0 | CLIP B14.5 TUBE | 管夾 | 2 | |

F13

Air Cleaner

空氣濾清器



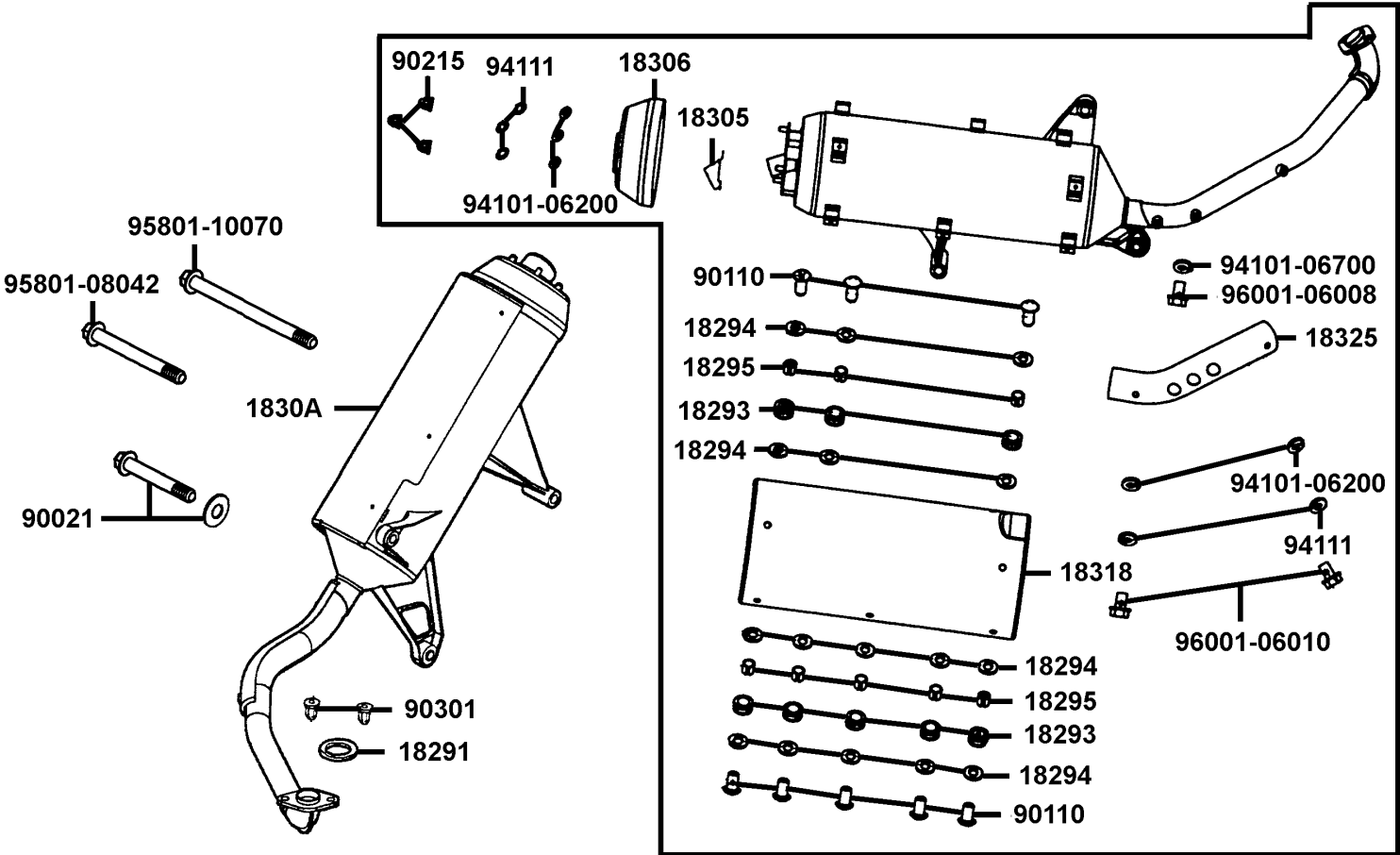
| 販賣記號 Sales mark | 項目 Ref no | 零件號碼 Part no | 版數 Ver | 英文名稱 Description | 中文名稱 Chinese | 需要用量 Regd no | 參考價 Ref Price |
|--------------------|--------------|-----------------|-----------|---------------------|-----------------|-----------------|------------------|
| | | 95003-23031-60 | 0 | V TUBE 8*12*310 | 通氣管 | 1 | |

F13

F14

Exhaust Muffler

排氣管

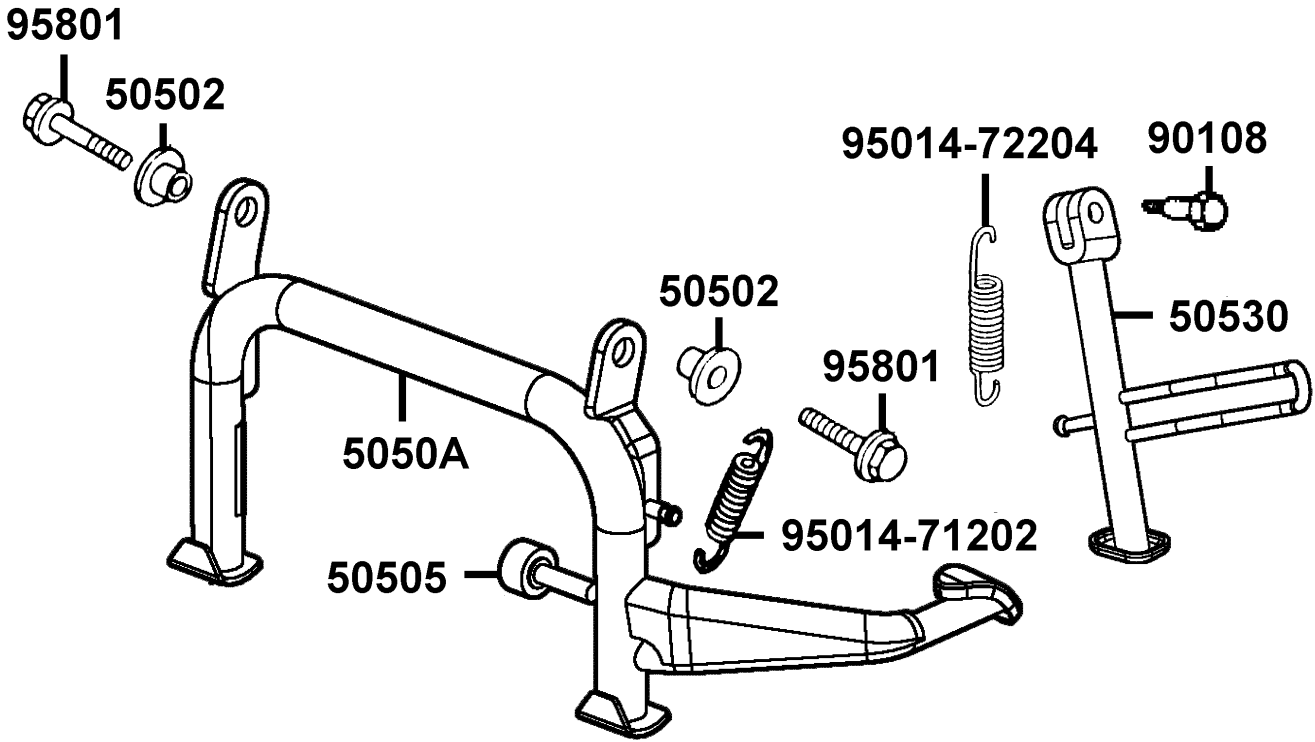


| 販賣記號 Sales mark | 項目 Ref no | 零件號碼 Part no | 版數 Ver | 英文名稱 Description | 中文名稱 Chinese | 需要用量 Regd no | 參考價 Ref Price |
|-----------------------|--------------|-----------------|-----------|---------------------|-----------------|-----------------|------------------|
| | | 18291-LBA7-900 | 2 | GASKET EXH PIPE | 排氣管墊圈 | 1 | |
| | | 18293-KECE-900 | 0 | RUBBER A PROTR | 橡皮 | 8 | |
| | | 18294-KEBE-900 | 0 | PACKING PROTECTOR | 墊片 | 16 | |
| | | 18295-KECE-900 | 0 | COLLAR M6 | 套筒 6MM | 8 | |
| | | 18305-KHD8-900 | 0 | PROTECTOR TAIL PIPE | 排氣管後護板座 | 1 | |
| | | 18306-KHE7-900 | 0 | TAIL CAP MUFFLER | 排氣管尾蓋 | 1 | |
| | | 1830A-KHE7-M30 | 0 | MUFFLER ASSY EXH | 排氣管組 | 1 | |
| | | 18318-KHE7-M30 | 0 | PROTECTOR MUFFLER | 排氣管護蓋 | 1 | |
| | | 18325-KHE7-900 | 1 | PROTECTOR EXH PIPE | 排氣連接管護蓋 | 1 | |
| | | 90021-GFY6-900 | 2 | BOLT WASHER COMP | 螺絲 | 1 | |
| | | 90110-KHD8-900 | 0 | SCREW SPECIAL 6*20 | 特殊螺絲 6*20 | 8 | |
| | | 90215-GLM0-910 | 1 | NUT CAP 6MM | 螺帽 6MM | 3 | |
| | | 90301-GFY6-901 | 1 | NUT (HEX) CAP 8MM | 圓螺帽 8MM | 2 | |
| | | 94101-06200 | 0 | WASHER PLAIN 6MM | 華司 6MM | 5 | |
| | | 94101-06700 | 0 | WASHER PLAIN 6MM | 平華司 6MM | 1 | |
| | | 94111-06800 | 0 | WASHER SPRING 6MM | 彈簧華司 6MM | 5 | |
| | | 95801-08042-06 | 0 | BOLT FLANGE 8*42 | 螺絲 8*42 | 1 | |
| | | 95801-10070-06 | 1 | BOLT FLANGE 10*70 | 螺絲 10*70 | 1 | |
| | | 96001-06008-07 | 0 | BOLT FLANGE SH 6*8 | 螺絲 6*8 | 1 | |
| | | 96001-06010-08 | 0 | BOLT FLANGE SH 6*10 | 螺絲 6*10 | 2 | |

F15

Stand●Kick Starter Arm

腳架
起動踏桿



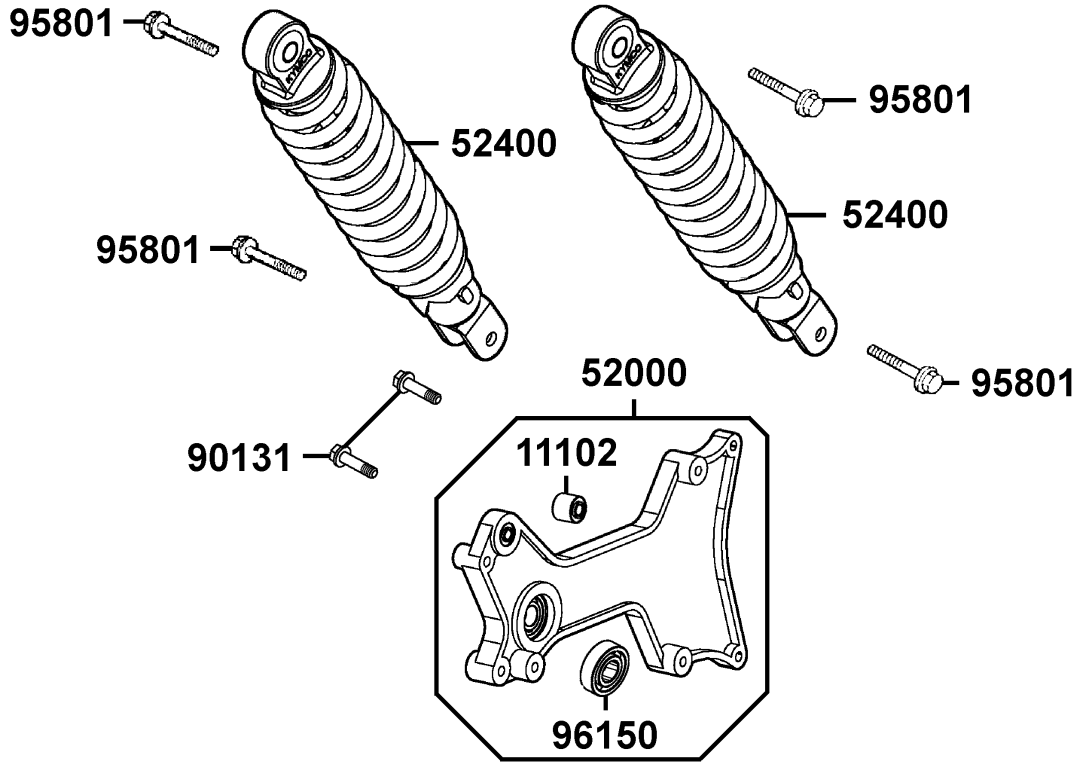
F15

| 販賣記號 Sales mark | 項目 Ref no | 零件號碼 Part no | 版數 Ver | 英文名稱 Description | 中文名稱 Chinese | 需要用量 Regd no | 參考價 Ref Price |
|-----------------------|--------------|-----------------|-----------|------------------------|-----------------|-----------------|------------------|
| | | 50502-GFY6-901 | 2 | COLLAR MAIN STAND | 主腳架套環 | 2 | |
| | | 50505-KKD7-900 | 1 | STOPPER RUBBER | 主腳架橡皮 | 1 | |
| | | 5050A-KKC4-800 | 3 | STAND ASSY MAIN | 主腳架組 | 1 | |
| | | 50530-KKC4-900 | 1 | BAR SIDE STAND | 側腳架 | 1 | |
| | | 90108-KKC4-900 | 1 | SCREW SIDE STAND PIVOT | 側腳架螺絲 | 1 | |
| | | 95014-71202 | 0 | SPRING B MAIN STAND | 主腳架彈簧 | 1 | |
| | | 95014-72204 | 0 | SPRING B1 SIDE STAND | 側腳架彈簧 | 1 | |
| | | 95801-10025-08 | 0 | BOLT FLANGE 10*25 | 螺絲 10*25 | 2 | |

F16

Rear Cushion

後
避
震
器



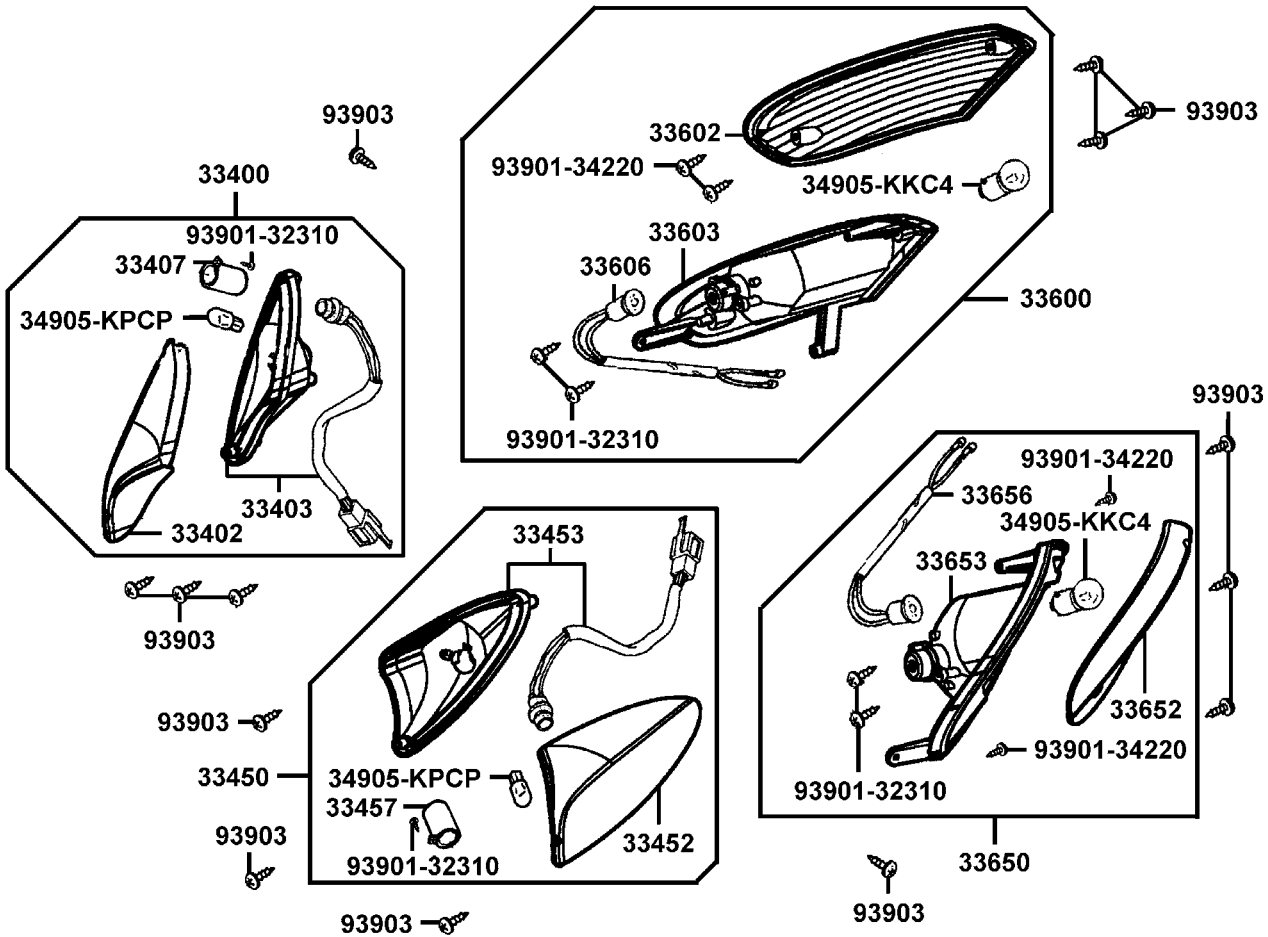
F16

| 販賣記號 Sales mark | 項目 Ref no | 零件號碼 Part no | 版數 Ver | 英文名稱 Description | 中文名稱 Chinese | 需要用量 Regd no | 參考價 Ref Price |
|-----------------------|--------------|-----------------|-----------|--------------------------|-----------------|-----------------|------------------|
| | | 11102-1G87-004 | 3 | RUB BUSH ENG HANGER | 引擎吊架襯套 | 1 | |
| ** | | 52000-KKC4-900 | 2 | FORK ASSY REAR | 後叉 | 1 | |
| ** | | 52400-KKC4-900 | 3 | CUSHION ASSY R RR | 後右避震器 | 2 | |
| | | 90131-KFAF-900 | 0 | BOLT FLANGE 8*42 | 螺絲 8*42 | 2 | |
| | | 95801-10035-08 | 0 | BOLT FLANGE 10*35 | 螺絲 10*35 | 4 | |
| | | 96150-62040-10 | 0 | BEARING BALL RADIAL 6204 | 後叉軸承 | 1 | |

F17

Front Winker

前
方
向
燈



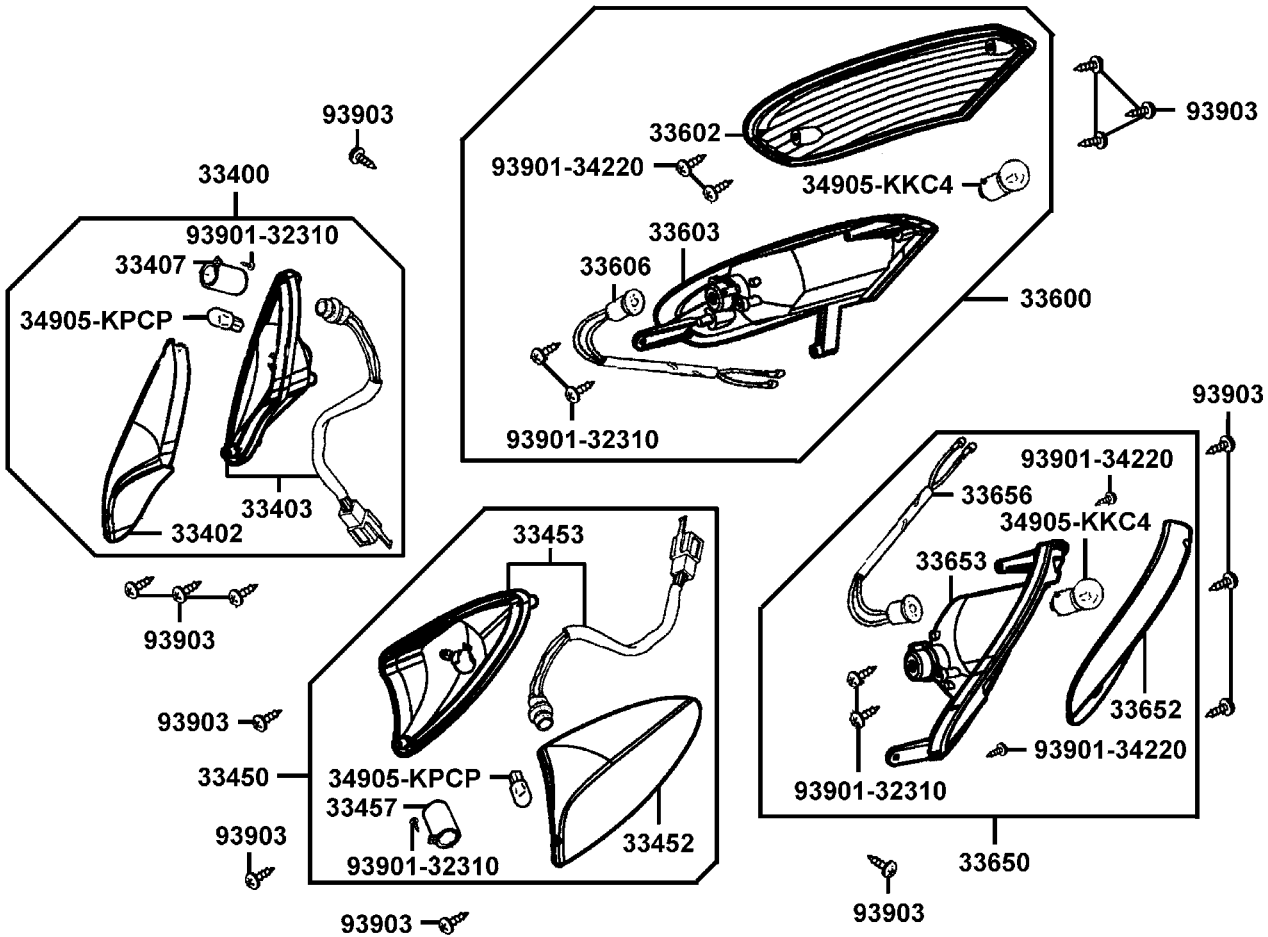
F17

| 販賣記號 Sales mark | 項目 Ref no | 零件號碼 Part no | 版數 Ver | 英文名稱 Description | 中文名稱 Chinese | 需要用量 Regd no | 參考價 Ref Price |
|-----------------------|--------------|-----------------|-----------|-------------------------|-----------------|-----------------|------------------|
| | | 33400-KKC4-E00 | 0 | WINKER ASSY R FR | 右前方向燈組 | 1 | |
| | | 33402-KKC4-E00 | 0 | LENS R FR WINKER | 右前方向燈殼 | 1 | |
| | | 33403-KKC4-E00 | 0 | BASE COMP R FR WINKER | 右前方向燈座 | 1 | |
| | | 33407-KKC4-E00 | 0 | INNER LENS WINKER R | 右前方向燈內燈殼 | 1 | |
| | | 33450-KKC4-E00 | 0 | WINKER ASSY L FR | 左前方向燈組 | 1 | |
| | | 33452-KKC4-E00 | 0 | LENS L FR WINKER | 左前方向燈殼 | 1 | |
| | | 33453-KKC4-E00 | 0 | BASE COMP L FR WINKER | 左前方向燈座 | 1 | |
| | | 33457-KKC4-E00 | 0 | INNER LENS WINKER L | 左前方向燈內燈殼 | 1 | |
| | | 33600-KKC4-M30 | 0 | WINKER ASSY R RR | 右後方向燈組 | 1 | |
| | | 33602-KKC4-E00 | 0 | LENS R RR WINKER | 右後方向燈殼 | 1 | |
| | | 33603-KKC4-E00 | 0 | BASE R RR WINKER | 右後方向燈座 | 1 | |
| | | 33606-KKC4-M30 | 0 | SOCKET COMP R RR WINKER | 右後方向燈配線 | 1 | |
| | | 33650-KKC4-M30 | 0 | WINKER ASSY L RR | 左後方向燈組 | 1 | |
| | | 33652-KKC4-E00 | 0 | LENS L RR WINKER | 左後方向燈殼 | 1 | |
| | | 33653-KKC4-E00 | 0 | BASE L RR WINKER | 左後方向燈座 | 1 | |
| | | 33656-KKC4-M30 | 0 | SOCKET COMP L RR WINKER | 左後方向燈配線 | 1 | |
| | | 34905-KPCP-900 | 0 | BULB WINKER | 方向燈泡 | 2 | |
| | | 34905-KKC4-M30 | 0 | BULB WINKER | 方向燈泡 | 2 | |
| | | 93901-32310 | 1 | SCREW TAPPING 3*12 | 螺釘 3*12 | 6 | |
| | | 93901-34220 | 0 | SCREW TAPPING 4*10 | 螺釘 4*10 | 4 | |

F17

Front Winker

前
方
向
燈



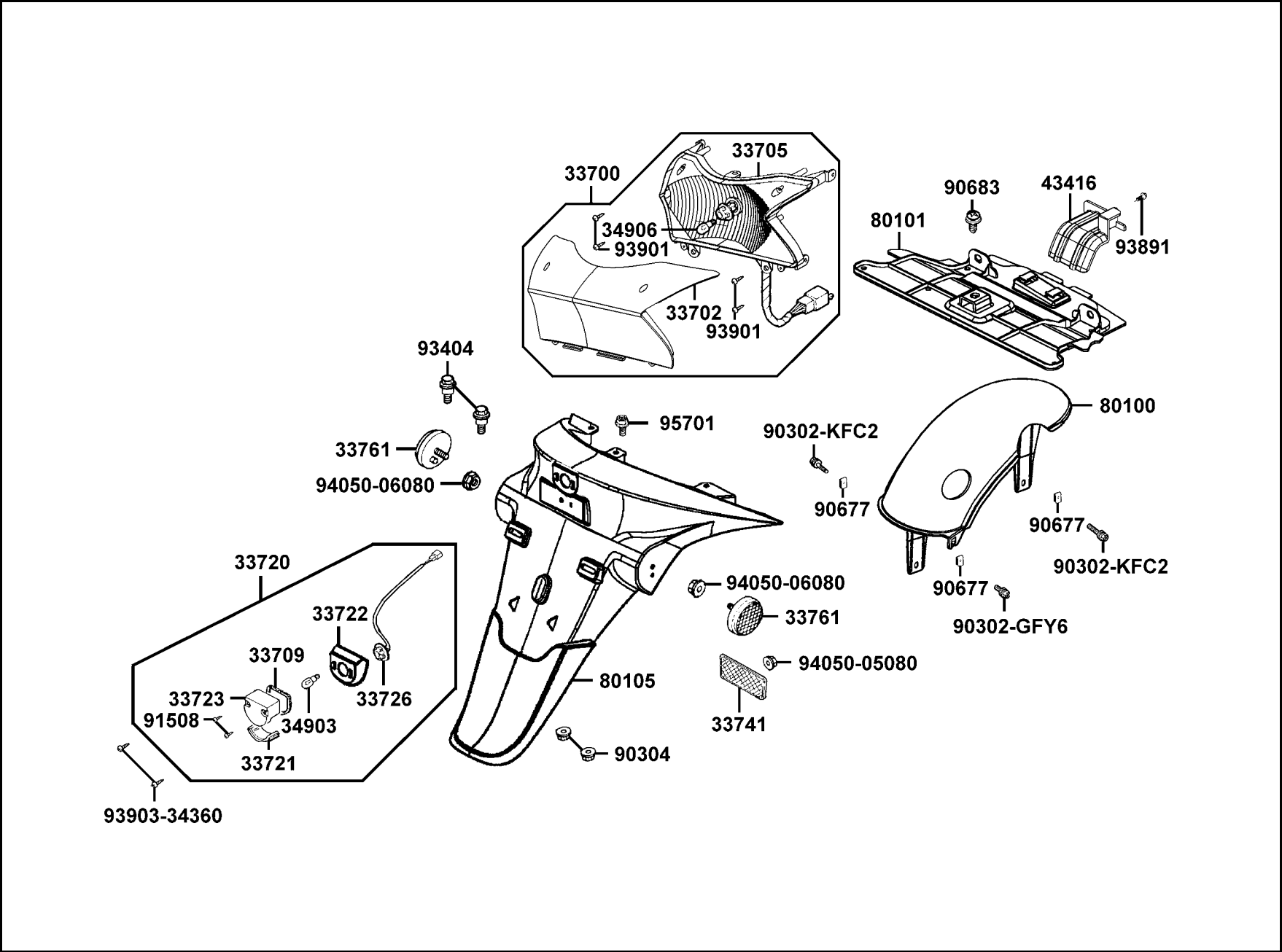
| 販賣記號 Sales mark | 項目 Ref no | 零件號碼 Part no | 版數 Ver | 英文名稱 Description | 中文名稱 Chinese | 需要用量 Regd no | 參考價 Ref Price |
|-----------------------|--------------|-----------------|-----------|---------------------|-----------------|-----------------|------------------|
| | | 93903-34360 | 0 | SCREW TAPPING 4*12 | 螺釘 4*12 | 14 | |

F17

F18

Rear Light Rear Fender

後
燈
後
土
除

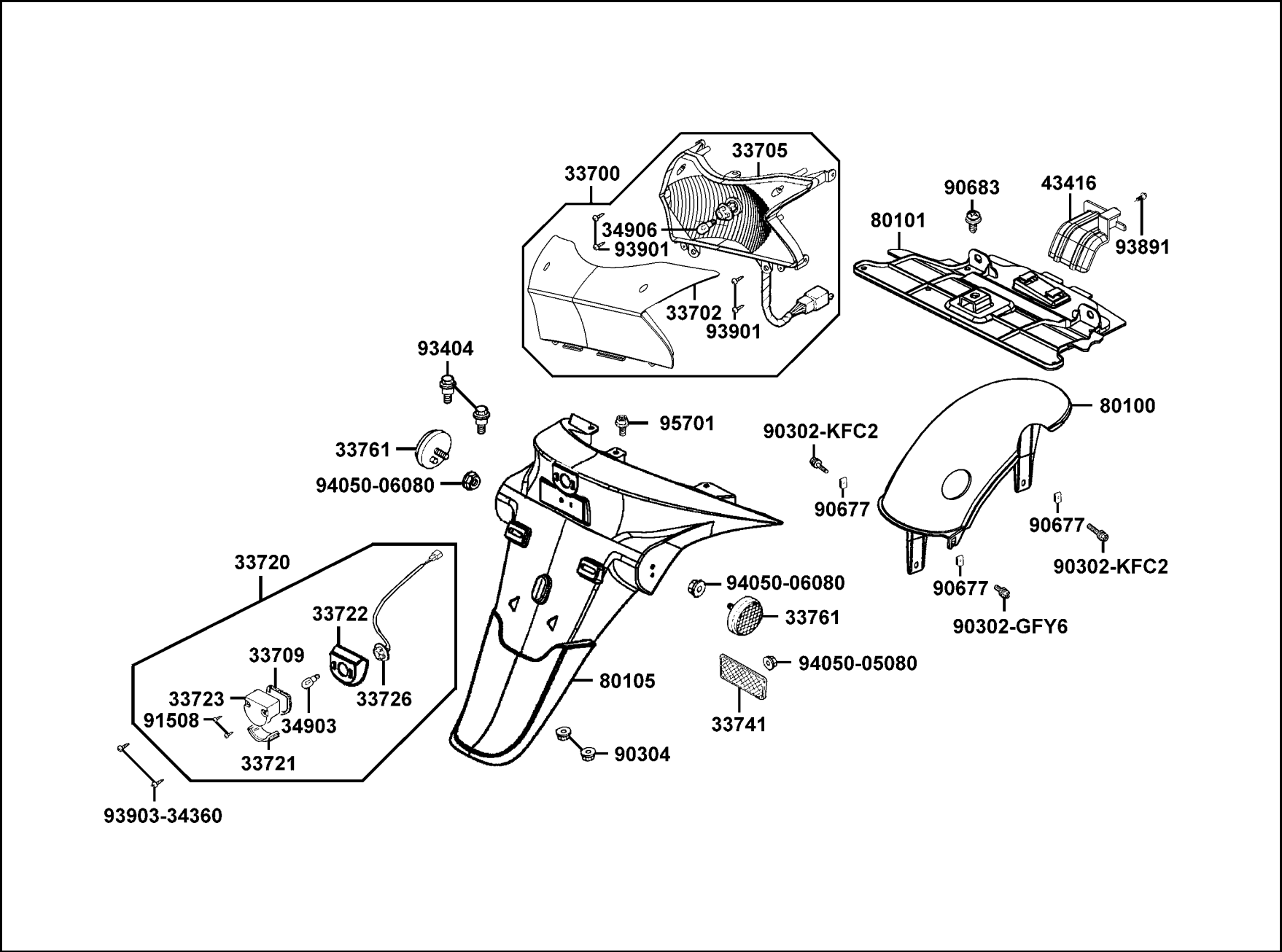


| 販賣記號 Sales mark | 項目 Ref no | 零件號碼 Part no | 版數 Ver | 英文名稱 Description | 中文名稱 Chinese | 需要用量 Regd no | 參考價 Ref Price |
|-----------------------|--------------|-----------------|-----------|----------------------|-----------------|-----------------|------------------|
| | | 33700-KKC4-M30 | 1 | LIGHT ASSY TAIL | 後燈組 | 1 | |
| | | 33702-KKC4-E00 | 0 | LENS TAIL LIGHT | 後燈殼 | 1 | |
| | | 33705-KKC4-M30 | 0 | BASE COMP TAIL LIGHT | 後燈座 | 1 | |
| | | 33709-KBAB-003 | 0 | PACKING LICENSE | 牌照燈蓋墊圈 | 1 | |
| | | 33720-KHB5-M00 | 1 | LIGHT ASSY LICENSE | 牌照燈組 | 1 | |
| | | 33721-KHB5-M00 | 0 | LENS LICENSE | 牌照燈殼 | 1 | |
| | | 33722-KHB4-E00 | 0 | BASE LICENSE | 牌照燈座 | 1 | |
| | | 33723-KHB5-M00 | 0 | COVER LICENSE | 牌照燈蓋 | 1 | |
| | | 33726-KHB5-M00 | 0 | SOCKET COMP | 牌照燈配線 | 1 | |
| | | 33741-KHC5-M00 | 0 | REFLEX REFLECTOR | 反光鏡片 | 1 | |
| | | 33761-KHC5-M00 | 0 | REFLEX REFLECTOR | 反光鏡片 | 1 | |
| | | 34903-KPCP-900 | 0 | BULB POSITION | 位置燈燈泡 | 1 | |
| | | 34906-KPCP-900 | 0 | BULB TAIL & STOP | 後燈燈泡 | 1 | |
| | | 43416-KKC4-900 | 3 | GUARD RR CALIPER | 後煞車卡鉗護蓋 | 1 | |
| | | 80100-KKC4-900 | 4 | FENDER RR TIRE | 後輪上土除 | 1 | |
| | | 80101-KKC4-800 | 3 | FENDER RR UP | 後上土除 | 1 | |
| | | 80105-KKC4-800 | 4 | FENDER RR | 後土除 | 1 | |
| | | 90302-GFY6-940 | 1 | BOLT WASHER 5*16 | 螺絲 5*16 | 1 | |
| | | 90302-KFC2-900 | 1 | BOLT WASHER 5*25 | 螺絲 5*25 | 2 | |
| | | 90304-4H38-001 | 2 | NUT SPECIAL 6MM | 螺帽 6MM | 2 | |

F18

Rear Light Rear Fender

後
燈
後
土
除



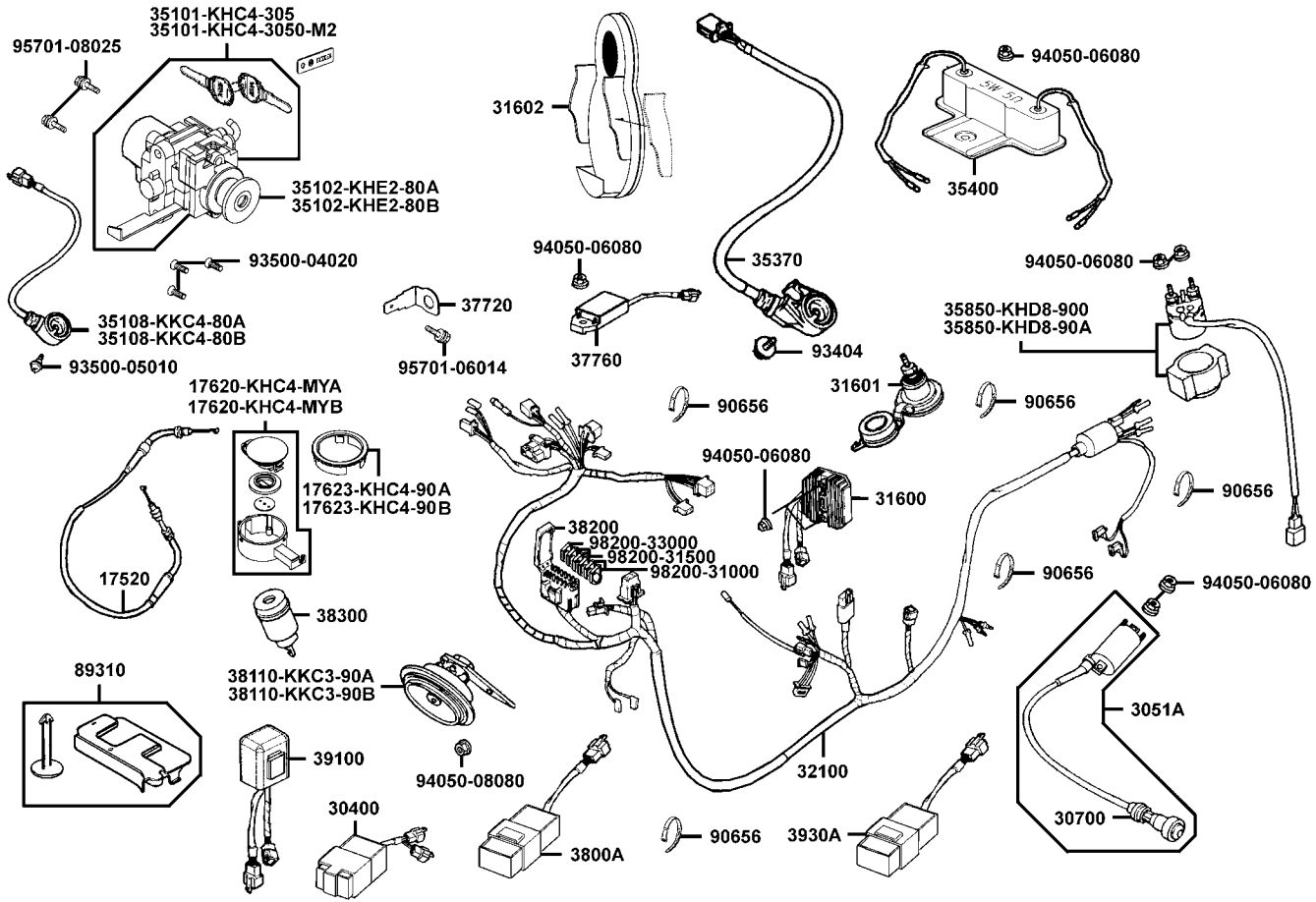
F18

| 販賣記號 Sales mark | 項目 Ref no | 零件號碼 Part no | 版數 Ver | 英文名稱 Description | 中文名稱 Chinese | 需要用量 Regd no | 參考價 Ref Price |
|-----------------------|--------------|-----------------|-----------|---------------------|-----------------|-----------------|------------------|
| | | 90677-GAR1-004 | 1 | NUT CLIP 5MM | 帽夾 5MM | 3 | |
| | | 90683-GAR1-004 | 4 | CLIP BODY COVER | 邊蓋夾 | 1 | |
| | | 91508-KGV7-67A | 0 | SCREW TAPPING 4*14 | 螺釘 4*14 | 2 | |
| | | 93404-06016-06 | 0 | BOLT WASHER 6*16 | 螺絲 6*16 | 2 | |
| | | 93891-05030-07 | 0 | SCREW WASHER 5*30 | 螺絲 5*30 | 1 | |
| | | 93901-34320 | 0 | SCREW TAPPING 4*12 | 螺釘 4*12 | 4 | |
| | | 93903-34360 | 0 | SCREW TAPPING 4*12 | 螺釘 4*12 | 2 | |
| | | 94050-05080 | 0 | NUT FLANGE 5MM | 螺帽 5MM | 1 | |
| | | 94050-06080 | 0 | NUT FLANGE 6MM | 螺帽 6MM | 2 | |
| | | 95701-06012-08 | 0 | BOLT FLANGE 6*12 | 螺絲 6*12 | 1 | |

F19

Wire Harness

主
電
路
配
線

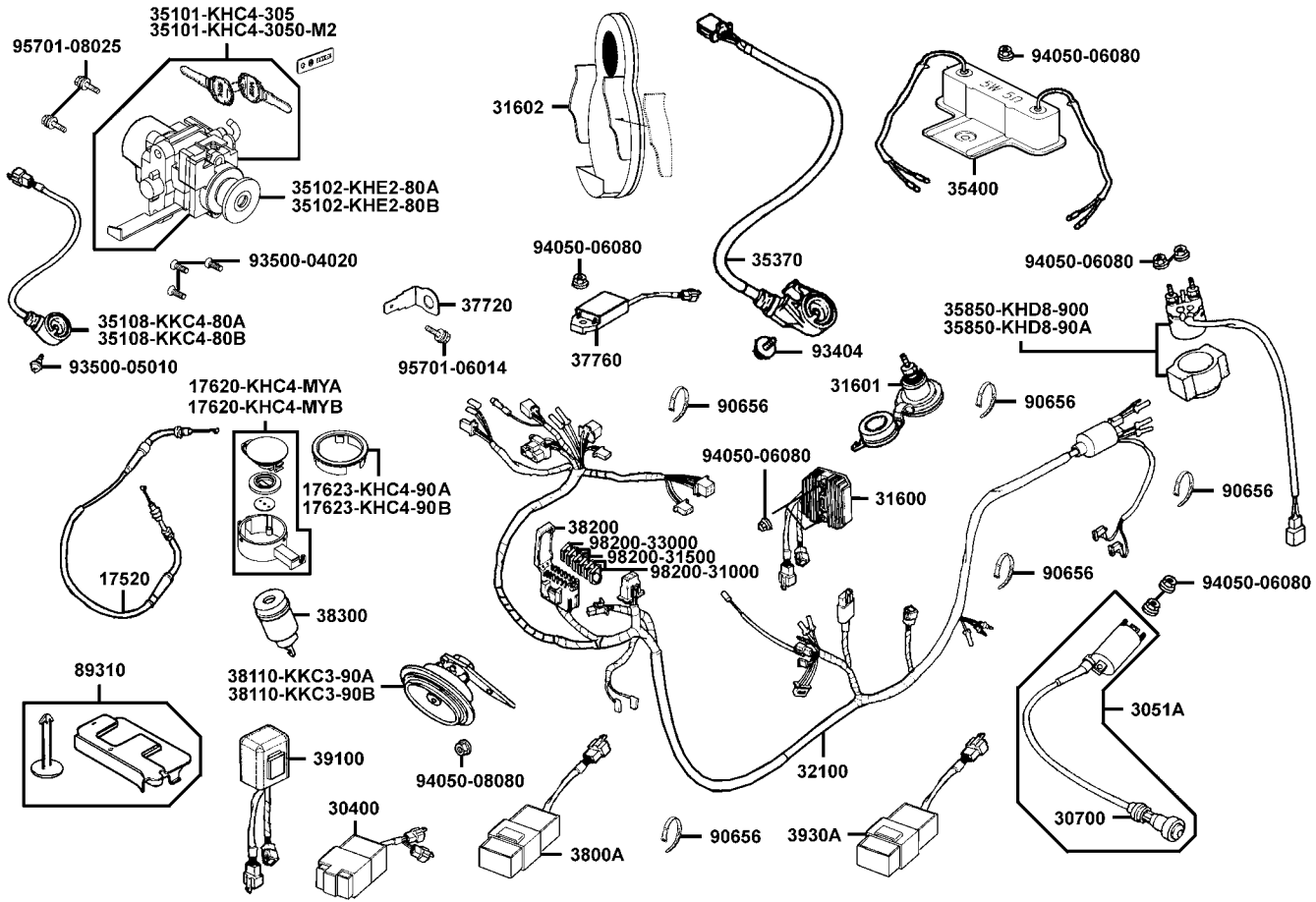


| 販賣記號 Sales mark | 項目 Ref no | 零件號碼 Part no | 版數 Ver | 英文名稱 Description | 中文名稱 Chinese | 需要用量 Regd no | 參考價 Ref Price |
|-----------------------|--------------|-------------------|-----------|---------------------------|-----------------|-----------------|------------------|
| | | 17520-KKC4-900 | 0 | CABLE COMP FUEL CAP | 油箱蓋導線 | 1 | |
| | | 17620-KHC4-MYA | 0 | CAP COMP FUEL FILLER | 油箱蓋 | 1 | |
| | | 17620-KHC4-MYB | 0 | CAP COMP FUEL FILLER | 油箱蓋 | 1 | |
| | | 17623-KHC4-90A | 6 | COLLAR FUEL CAP | 油箱蓋套筒 | 1 | |
| | | 17623-KHC4-90B | 1 | COLLAR FUEL CAP | 油箱蓋套筒 | 1 | |
| | | 30400-KHE7-900 | 2 | UNIT CDI | C.D.I.組 | 1 | |
| | | 3051A-KKC4-900 | 0 | COIL ASSY IGNITION | 點火線圈 | 1 | |
| | | 30700-KFC8-E0H | 1 | CAP ASSY NOISE SUPPRESSOR | 火星塞蓋 | 1 | |
| | | 31600-KAM1-009 | 1 | REG REC COMP | 整流器 | 1 | |
| | | 31601-KKC4-900 | 4 | SOCKET COMP DC 12V | 手機充電座 | 1 | |
| | | 31602-KKC4-900 | 0 | SOCKET COMP CELL-PHONE | 手機固定座 | 1 | |
| | | 32100-KKC4-M30 | 1 | HARNESS WIRE | 主配線 | 1 | |
| | | 35101-KHC4-305 | 5 | SW SET COMB & LOCK | 主開關 | 1 | |
| | | 35101-KHC4-305-M2 | 0 | SW SET COMB & LOCK | 主開關 | 1 | |
| | | 35102-KHE2-80A | 0 | COLLAR MAIN SW | 主開關指示器套筒 | 1 | |
| | | 35102-KHE2-80B | 0 | COLLAR MAIN SW | 主開關指示器套筒 | 1 | |
| | | 35108-KKC4-80A | 0 | KEY LIGHT COMP | 貼心鎖頭燈 | 1 | |
| | | 35108-KKC4-80B | 0 | KEY LIGHT COMP | 貼心鎖頭燈 | 1 | |
| | | 35370-KEC8-E00 | 2 | SW UNIT SIDE STAND | 側腳架開關 | 1 | |
| | | 35400-KHE7-900 | 1 | RESISTOR COMP | 電阻器組 | 1 | |

F19

Wire Harness

主
電
路
配
線

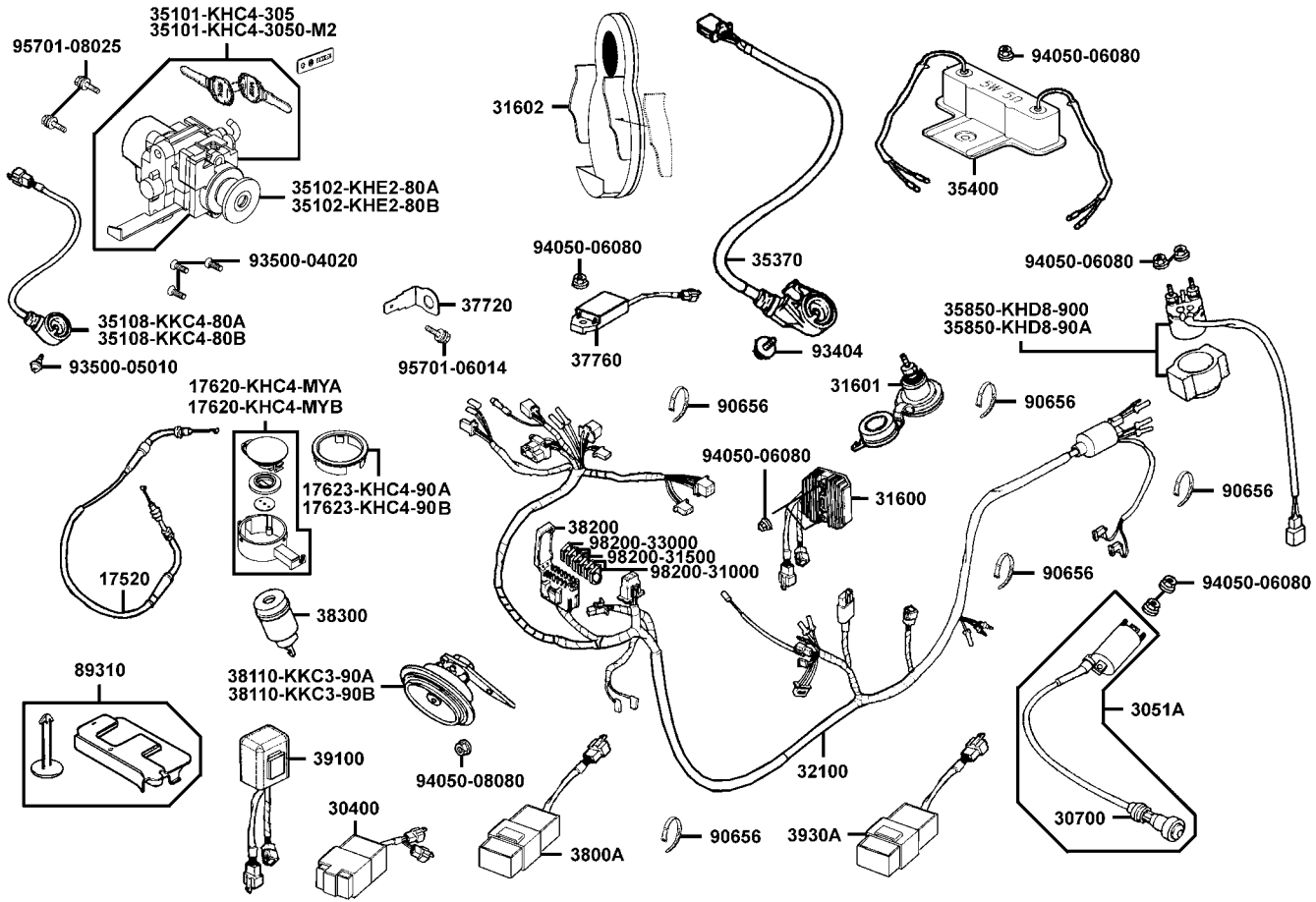


| 販賣記號 Sales mark | 項目 Ref no | 零件號碼 Part no | 版數 Ver | 英文名稱 Description | 中文名稱 Chinese | 需要用量 Regd no | 參考價 Ref Price |
|-----------------------|--------------|-----------------|-----------|-----------------------|-----------------|-----------------|------------------|
| | | 35850-KHD8-900 | 1 | SET START MAG | 起動開關組 | 1 | |
| | | 35850-KHD8-90A | 0 | SET START MAG | 起動開關組 | 1 | |
| | | 37720-KGBG-E00 | 0 | EARTH TERMINAL HEATER | 接地板 | 1 | |
| | | 37760-KGBG-E10 | 1 | UNIT HEATER CONTROL | 加熱控制器 | 1 | |
| | | 3800A-KKC4-800 | 1 | UNIT ASSY ENG STOP | 引擎斷電器 | 1 | |
| | | 38110-KKC3-90A | 1 | HORN COMP | 喇叭 | 1 | |
| | | 38110-KKC3-90B | 1 | HORN COMP | 喇叭 | 1 | |
| | | 38200-KHE7-900 | 0 | BOX COMP FUSE | 保險絲盒 | 1 | |
| | | 38300-KHB5-M30 | 2 | RELAY ASSY WINKER | 方向燈繼電器 | 1 | |
| | | 39100-KHD8-900 | 0 | EMI FILTER MOTOR | 風扇馬達濾波器 | 1 | |
| | | 3930A-KKC4-900 | 2 | BACK MIRROR CTRL ASSY | 後視鏡控制組 | 1 | |
| | | 89310-KGN7-306 | 1 | BOOSTER CABLE SET | 緊急救援電瓶線 | 1 | |
| | | 90656-KUDU-900 | 0 | BAND HARNESS WIRE | 配線束帶 | 5 | |
| | | 93404-06016-06 | 0 | BOLT WASHER 6*16 | 螺絲 6*16 | 1 | |
| | | 93500-04020-0G | 0 | SCREW PAN 4*20 | 螺絲 4*20 | 3 | |
| | | 93500-05010-0H | 0 | SCREW PAN 5*10 | 螺絲 5*10 | 1 | |
| | | 94050-06080 | 0 | NUT FLANGE 6MM | 螺帽 6MM | 8 | |
| | | 94050-08080 | 0 | NUT FLANGE 8MM | 螺帽 8MM | 1 | |
| | | 95701-06014-08 | 0 | BOLT FLANGE 6*14 | 螺絲 6*14 | 1 | |
| | | 95701-08025-08 | 0 | BOLT RQUE 8*25 | 螺絲 8*25 | 2 | |

F19

Wire Harness

主
電
路
配
線

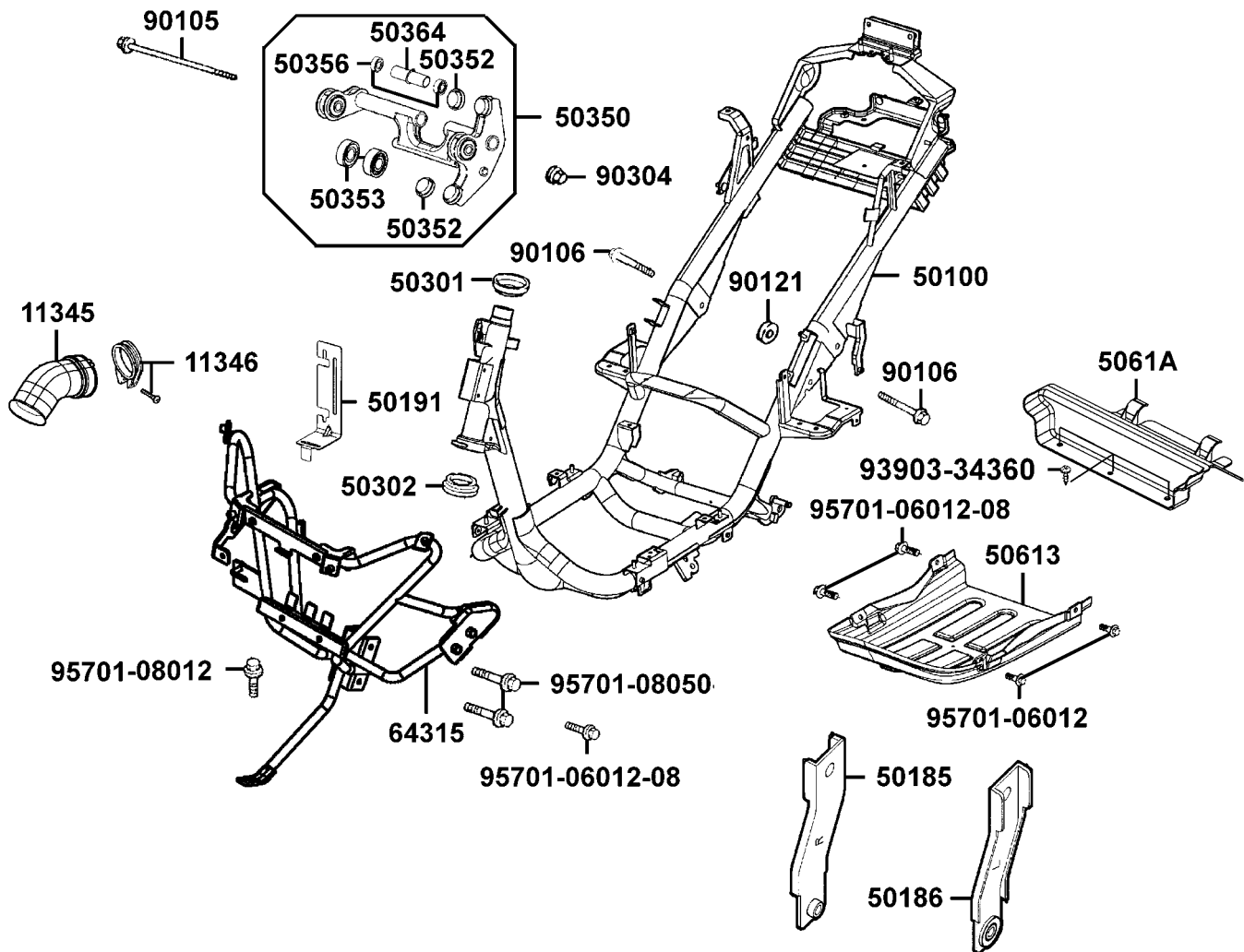


| 販賣記號 Sales mark | 項目 Ref no | 零件號碼 Part no | 版數 Ver | 英文名稱 Description | 中文名稱 Chinese | 需要用量 Regd no | 參考價 Ref Price |
|-----------------------|--------------|-----------------|-----------|---------------------|-----------------|-----------------|------------------|
| | | 98200-31000 | 1 | BLADE FUSE 10A | 保險絲 10A | 2 | |
| | | 98200-31500 | 0 | BLADE FUSE 15A | 保險絲 15A | 3 | |
| | | 98200-33000 | 0 | BLADE FUSE 30A | 保險絲 30A | 1 | |

F20

Frame Body

車體

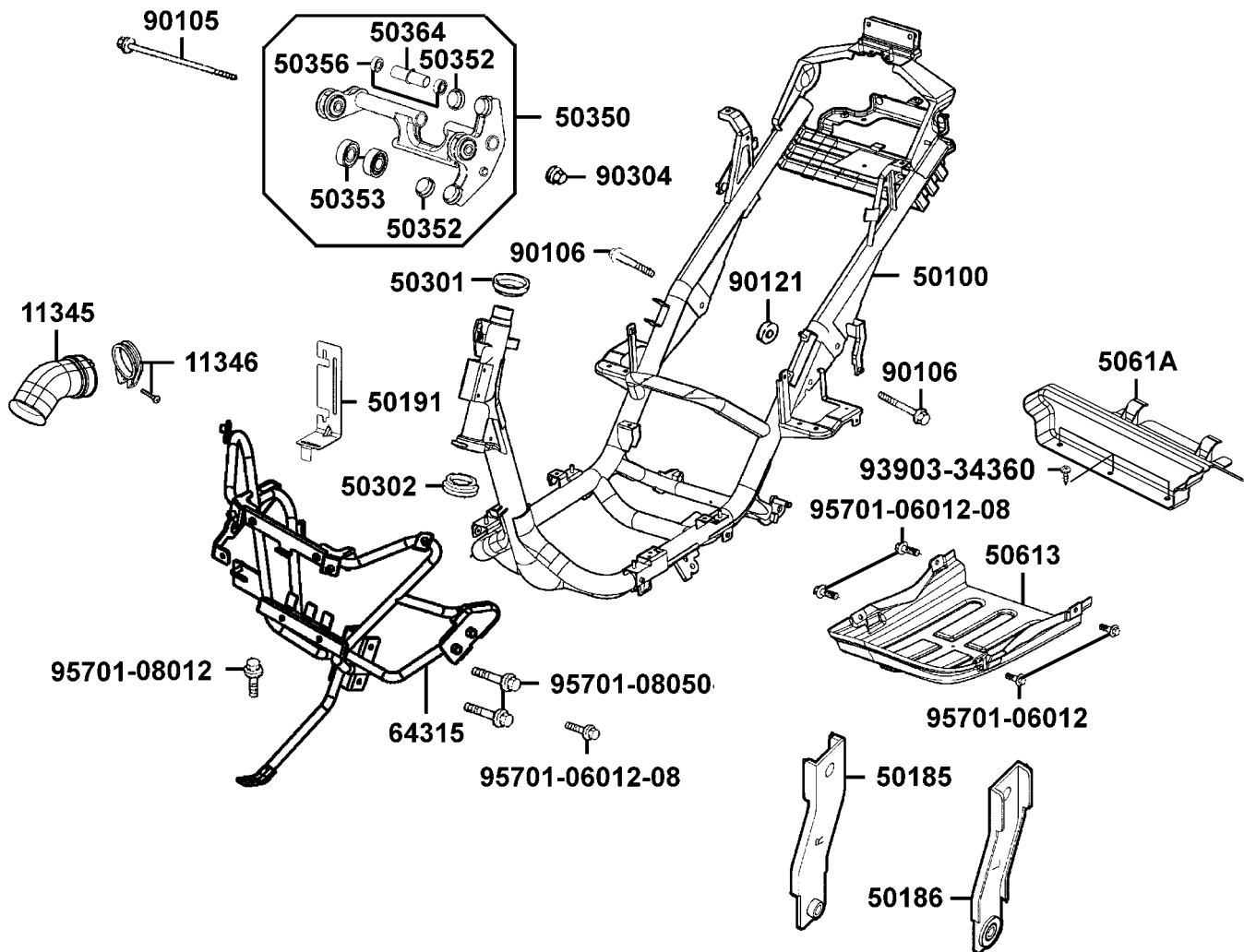


| 販賣記號 Sales mark | 項目 Ref no | 零件號碼 Part no | 版數 Ver | 英文名稱 Description | 中文名稱 Chinese | 需要用量 Regd no | 參考價 Ref Price |
|-----------------------|--------------|-----------------|-----------|----------------------|-----------------|-----------------|------------------|
| | | 11345-KKC4-900 | 0 | DUCT L COVER | 冷卻導管 | 1 | |
| | | 11346-GFY6-901 | 0 | BAND L COVER DUCT | 導管束帶 | 1 | |
| | | 50100-KKC4-M30 | 2 | BODY COMP FRAME | 車體 | 1 | |
| | | 50185-KKC4-900 | 0 | STAY R BODY COVER | 車體右邊蓋支柱 | 1 | |
| | | 50186-KKC4-900 | 0 | STAY L BODY COVER | 車體左邊蓋支柱 | 1 | |
| | | 50191-KKC4-900 | 0 | STAY ALARM SYSTEM | 警示器支架 | 1 | |
| | | 50301-KGN7-671 | 2 | RACE UP STRG BALL | 上珠碗 | 1 | |
| | | 50302-2H68-011 | 2 | RACE (STRG BOT) BALL | 下珠碗 | 1 | |
| | | 50350-KKC4-E00 | 0 | ENG HANGER COMP | 引擎吊架 | 1 | |
| | | 50352-GFY6-901 | 0 | RUBBER STOPPER | 引擎吊架止滑橡皮 | 2 | |
| | | 50353-KGN7-901 | 0 | BUSH A ENG HANGER | 引擎吊架襯套 A | 2 | |
| | | 50356-KHE7-E00 | 0 | BUSH SWING LOCK | 引擎吊架橡皮襯套 | 2 | |
| | | 50364-KKC4-E00 | 0 | COLLAR ENG HANGER | 引擎吊架套筒 | 1 | |
| | | 50613-KKC4-900 | 1 | COVER UNDER | 底蓋 | 1 | |
| | | 5061A-KKC3-900 | 1 | DEFECTION UNDER | 底蓋延伸板 | 1 | |
| | | 64315-KKC4-900 | 4 | STAY FR COVER | 前蓋支架 | 1 | |
| | | 90105-KGN7-671 | 1 | BOLT FLANGE 10*235.5 | 螺絲 10*235.5 | 1 | |
| | | 90106-KHE7-E00 | 0 | BOLT FLANGE 12*59 | 螺絲 12*59 | 2 | |
| | | 90121-KHE7-E00 | 0 | COLLAR DISTANCE | 套筒 | 1 | |
| | | 90304-GHE8-004 | 0 | NUT U 10MM | 螺帽 10MM | 1 | |

F20

Frame Body

車體



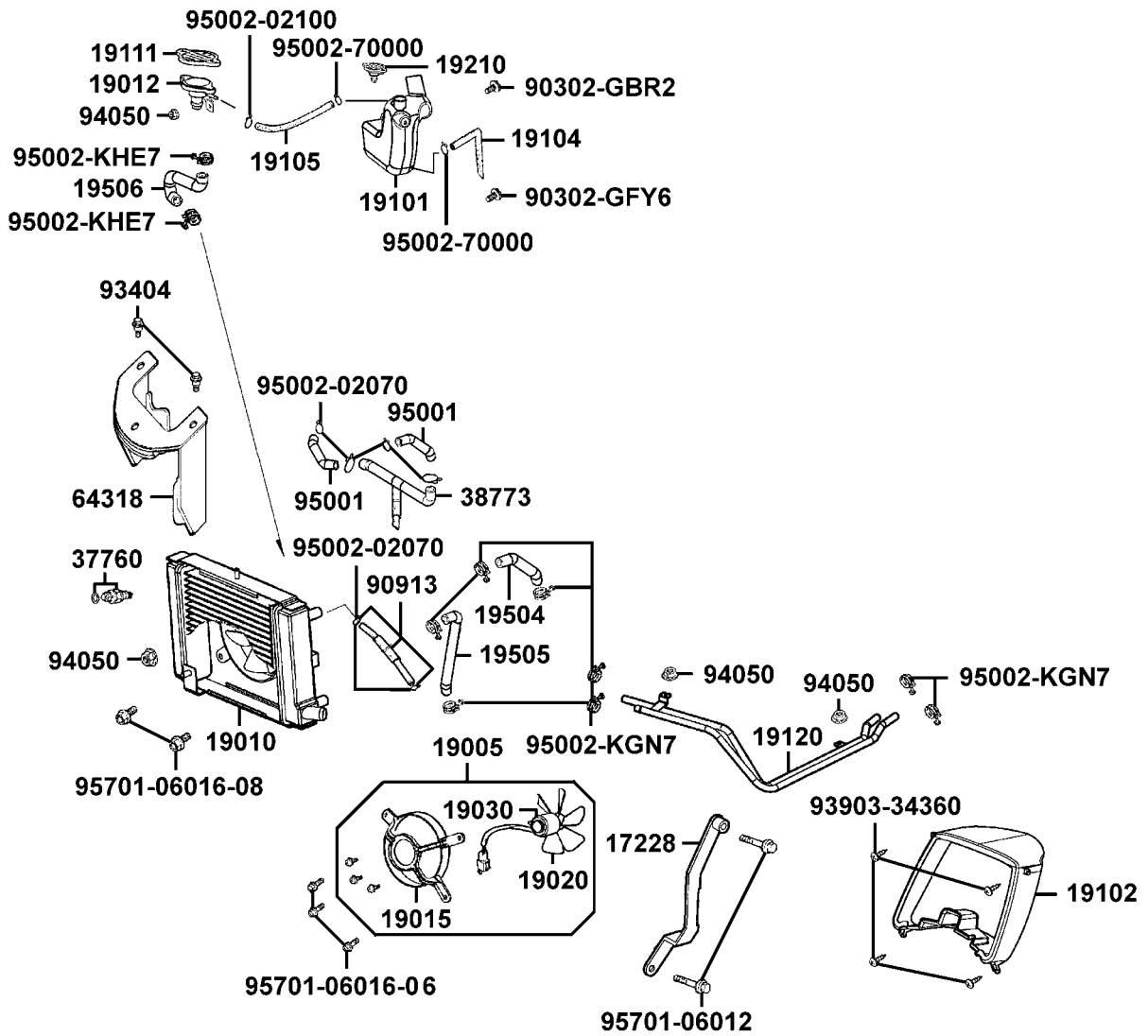
F20

| 販賣記號 Sales mark | 項目 Ref no | 零件號碼 Part no | 版數 Ver | 英文名稱 Description | 中文名稱 Chinese | 需要用量 Regd no | 參考價 Ref Price |
|-----------------------|--------------|-----------------|-----------|---------------------|-----------------|-----------------|------------------|
| | | 93903-34360 | 0 | SCREW TAPPING 4*12 | 螺釘 4*12 | 3 | |
| | | 95701-06012-08 | 0 | BOLT FLANGE 6*12 | 螺絲 6*12 | 5 | |
| | | 95701-08012-08 | 0 | BOLT FLANGE 8*12 | 螺絲 8*12 | 1 | |
| | | 95701-08050-08 | 0 | BOLT FLANGE 8*50 | 螺絲 8*50 | 2 | |

F21

Radiator

水箱

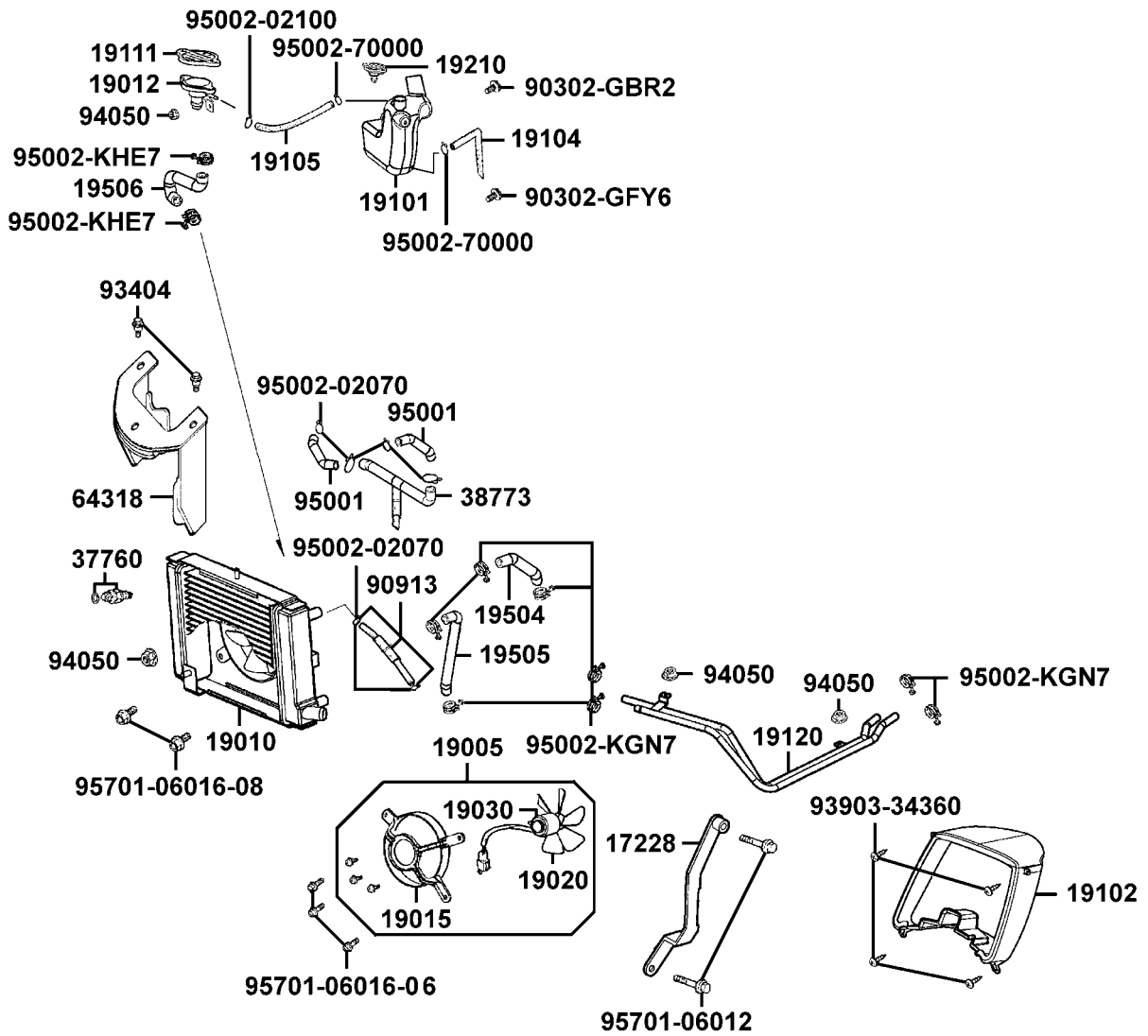


| 販賣記號 Sales mark | 項目 Ref no | 零件號碼 Part no | 版數 Ver | 英文名稱 Description | 中文名稱 Chinese | 需要用量 Regd no | 參考價 Ref Price |
|-----------------------|--------------|-----------------|-----------|----------------------------|-----------------|-----------------|------------------|
| | | 17228-KKC4-900 | 0 | STAY A/C | 空氣濾清器支架 | 1 | |
| | | 19005-KKC4-900 | 2 | SHROUD ASSY | 冷卻風扇組 | 1 | |
| | | 19010-KKC4-900 | 2 | RADIATOR COMP | 水箱 | 1 | |
| | | 19012-KHD8-900 | 4 | UNIT RADIATOR | 減壓蓋 | 1 | |
| | | 19015-KKC4-900 | 2 | SHROUD COMP | 風扇覆環 | 1 | |
| | | 19020-KED9-900 | 1 | FAN COOLING | 風扇 | 1 | |
| | | 19030-KHD8-900 | 1 | MOTOR ASSY FAN | 風扇馬達 | 1 | |
| | | 19101-KKC4-900 | 0 | TANK RESERVE | 預備水箱 | 1 | |
| | | 19102-KKC4-900 | 0 | DUCT COOLING AIR | 入風口 | 1 | |
| | | 19104-KKC4-900 | 0 | HOSE ASSY DRAIN | 溢流管 | 1 | |
| | | 19105-KKC4-900 | 0 | HOSE ASSY RESERVE-COOLER | 水管 | 1 | |
| | | 19111-GBE2-004 | 1 | CAP COMP | 水箱蓋 | 1 | |
| | | 19120-KKC4-900 | 4 | PIPE COMP WATER | 水管 | 1 | |
| | | 19210-KKC4-900 | 0 | CAP RESERVE TANK | 預備水箱蓋 | 1 | |
| | | 19504-KKC4-900 | 0 | HOSE WATER D RADIATOR-PIPE | 水管 D | 1 | |
| | | 19505-KKC4-900 | 0 | HOSE WATER F PIPE-RADIATOR | 水管 F | 1 | |
| | | 19506-KKC4-900 | 1 | HOSE WATER G RADIATOR-UNIT | 水管 G | 1 | |
| | | 37760-KHD8-900 | 0 | SW ASSY THERMO | 調溫開關 | 1 | |
| | | 38773-PKB9-001 | 0 | JOINT 3 WAY 3.5 | 三向管接頭 | 1 | |
| | | 64318-KKC4-900 | 0 | STAY METER | 儀錶支架 | 1 | |

F21

Radiator

水箱

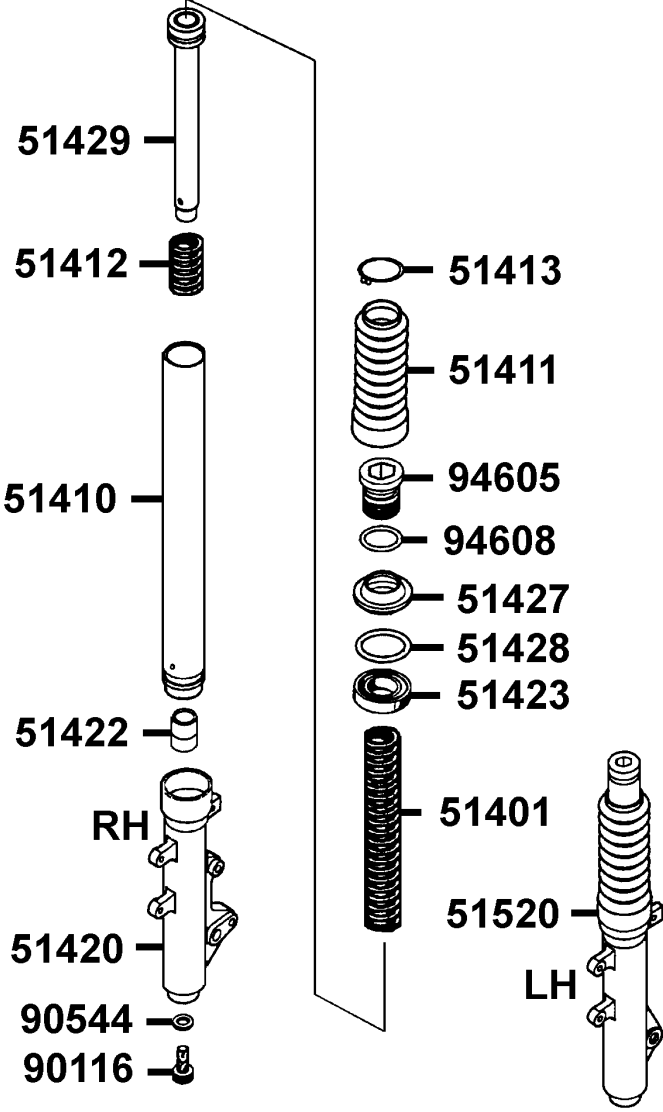


| 販賣記號 Sales mark | 項目 Ref no | 零件號碼 Part no | 版數 Ver | 英文名稱 Description | 中文名稱 Chinese | 需要用量 Regd no | 參考價 Ref Price |
|-----------------------|--------------|-----------------|-----------|-----------------------------|-----------------|-----------------|------------------|
| | | 90302-GBR2-001 | 1 | BOLT WASH 5*16 | 螺絲 5*16 | 1 | |
| | | 90302-GFY6-901 | 1 | BOLT WASH 5*12 | 螺絲 5*12 | 1 | |
| | | 90913-KKC4-900 | 0 | TUBE ASSY WATER PUMP TO RAD | 水管組 | 1 | |
| | | 93404-06016-06 | 0 | BOLT WASHER 6*16 | 螺絲 6*16 | 2 | |
| | | 93903-34360 | 0 | SCREW TAPPING 4*12 | 螺釘 4*12 | 4 | |
| | | 94050-06080 | 0 | NUT FLANGE 6MM | 螺帽 6MM | 4 | |
| | | 95001-35225-40 | 0 | TUBE FUEL 3.5*225 | 通氣管 3.5*225 | 2 | |
| | | 95002-02070 | 0 | CLAMP D6.8 TUBE | 管夾 | 6 | |
| | | 95002-02100 | 0 | CLIP B10 TUBE | 管夾 | 1 | |
| | | 95002-70000 | 0 | CLIP C11 TUBE | 管夾 | 2 | |
| | | 95002-KHE7-900 | 0 | CLIP WATER HOSE | 水管夾 | 2 | |
| | | 95002-KGN7-910 | 1 | CLIP TUBE | 水管夾 | 8 | |
| | | 95701-06012-08 | 0 | BOLT FLANGE 6*12 | 螺絲 6*12 | 2 | |
| | | 95701-06016-06 | 0 | BOLT FLANGE 6*16 | 螺絲 6*16 | 3 | |
| | | 95701-06016-08 | 0 | BOLT FLANGE 6*16 | 螺絲 6*16 | 2 | |

F22

Separated Parts Of Fr Fork

前
叉
附
件

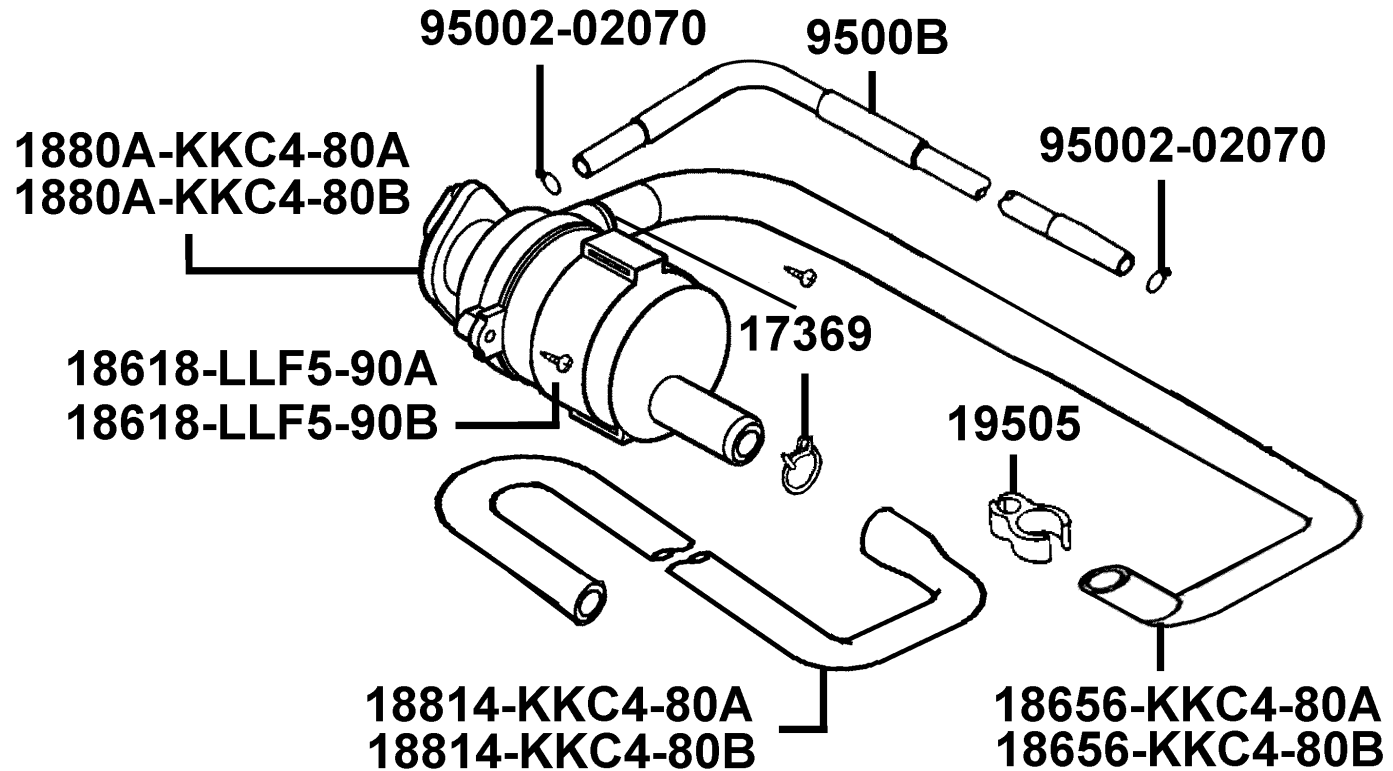


| 販賣記號 Sales mark | 項目 Ref no | 零件號碼 Part no | 版數 Ver | 英文名稱 Description | 中文名稱 Chinese | 需要用量 Regd no | 參考價 Ref Price |
|-----------------------|--------------|-----------------|-----------|-----------------------|-----------------|-----------------|------------------|
| | | 51401-KHD8-900 | 0 | SPRING | 彈簧 | 2 | |
| | | 51410-KHD8-900 | 0 | FORK PIPE COMP | 前避震器管 | 2 | |
| | | 51411-KHD8-900 | 0 | BOOT | 護套 | 2 | |
| | | 51412-KHD8-900 | 0 | REBOUND SPRING | 回位彈簧 | 2 | |
| | | 51413-KHD8-900 | 0 | BOOT BAND | 護套夾 | 2 | |
| | | 51420-KKC4-900 | 0 | BOTTOM CASE R | 右前避震器底管 | 1 | |
| | | 51422-KKC4-900 | 0 | OIL LOCK PIECE | 止油接頭 | 2 | |
| | | 51423-KKAK-900 | 0 | OIL SEAL | 前避震器油封 | 2 | |
| | | 51427-KKAK-900 | 0 | DUST SEAL | 防塵封 | 2 | |
| | | 51428-KKAK-900 | 0 | RING OIL SEAL STOPPER | 油封止位環 | 2 | |
| | | 51429-KHD8-900 | 0 | PIPE SEAT COMP | 避震管座 | 2 | |
| | | 51520-KKC4-900 | 0 | BOTTOM CASE L | 左前避震器底管 | 1 | |
| | | 90116-KHD8-900 | 0 | BOLT | 螺絲 | 2 | |
| | | 90544-KEC8-900 | 0 | PACKING | 墊片 | 2 | |
| | | 94605-KHD8-900 | 0 | FORK BOLT | 螺絲 | 2 | |
| | | 94608-30000 | 0 | O-RING 23*24 | O環 23*24 | 2 | |

F23

Air Cleaner Two

二次空氣濾清器

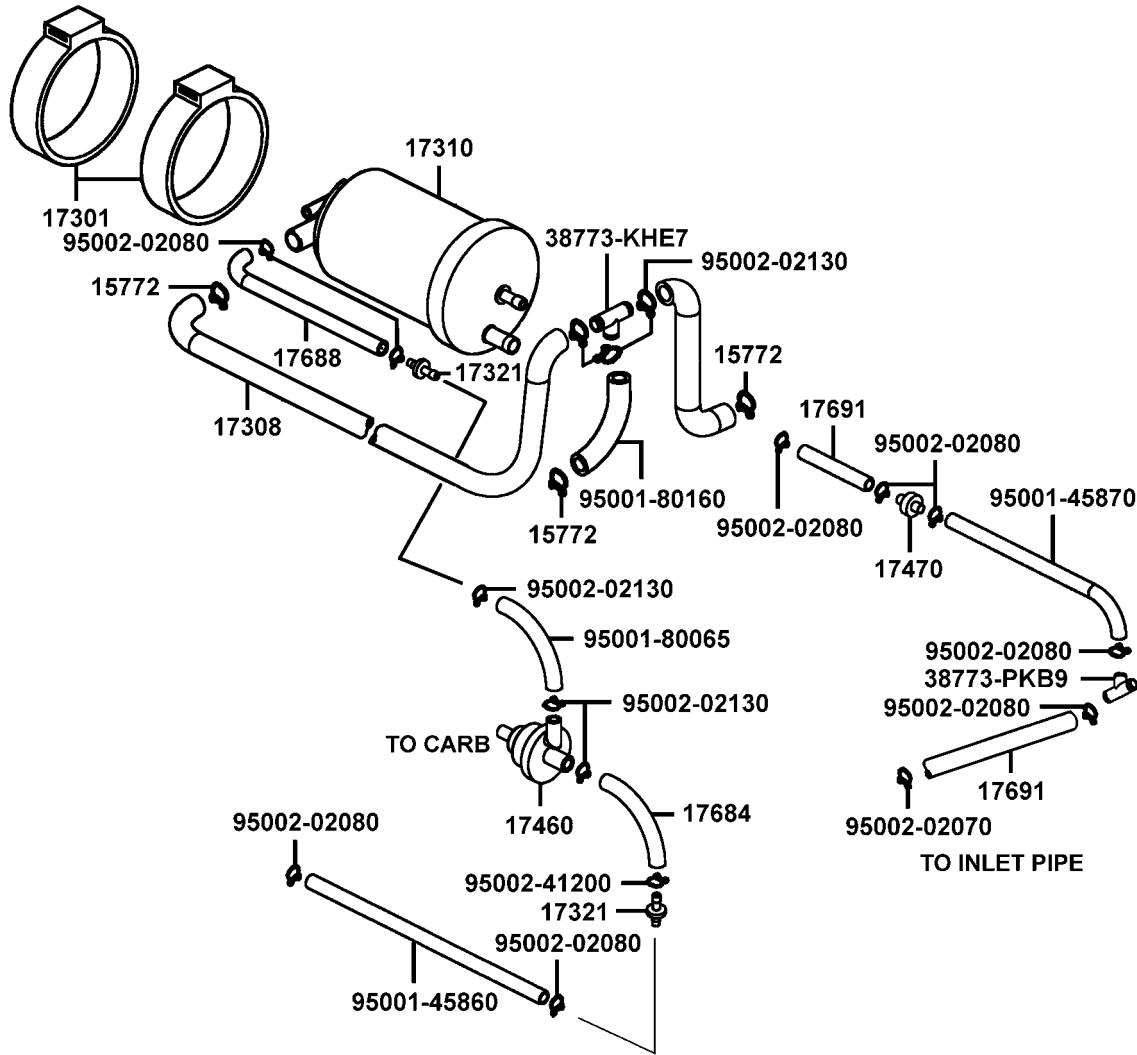


| 販賣記號 Sales mark | 項目 Ref no | 零件號碼 Part no | 版數 Ver | 英文名稱 Description | 中文名稱 Chinese | 需要用量 Regd no | 參考價 Ref Price |
|-----------------------|--------------|-----------------|-----------|---------------------------|-----------------|-----------------|------------------|
| | | 17369-KDB4-671 | 1 | CLIP BREATHER TUBE | 通氣管夾 | 2 | |
| | | 18618-LLF5-90A | 2 | RUBBER AI CLEANER MOUNT | 橡皮 | 1 | |
| | | 18618-LLF5-90B | 1 | RUBBER AI CLEANER MOUNT | 橡皮 | 1 | |
| | | 18656-KKC4-80A | 1 | DUCT AICV REED VALVE | 通氣管 | 1 | |
| | | 18656-KKC4-80B | 0 | DUCT AICV REED VALVE | 通氣管 | 1 | |
| | | 1880A-KKC4-80A | 2 | AI/C AICV ASSY | 空氣噴射控制閥 | 1 | |
| | | 1880A-KKC4-80B | 2 | AI/C AICV ASSY | 空氣噴射控制閥 | 1 | |
| | | 18814-KKC4-80A | 1 | DUCT AIR AICV | 二次空氣濾清器導管 | 1 | |
| | | 18814-KKC4-80B | 0 | DUCT AIR AICV | 二次空氣濾清器導管 | 1 | |
| | | 19505-GFY6-940 | 3 | CLAMP A W/H | 水管夾 | 1 | |
| | | 95002-02070 | 0 | CLIP B7 TUBE | 管夾 | 2 | |
| | | 9500B-KBE2-700 | 0 | TUBE ASSY AICV INLET PIPE | 通氣管 | 1 | |

F24

Canister

活性
碳罐



| 販賣記號 Sales mark | 項目 Ref no | 零件號碼 Part no | 版數 Ver | 英文名稱 Description | 中文名稱 Chinese | 需要用量 Regd no | 參考價 Ref Price |
|-----------------------|--------------|-----------------|-----------|----------------------------|-----------------|-----------------|------------------|
| | | 15772-5L00-013 | 1 | CLIP BREATHER PIPE | 通氣管夾 | 2 | |
| | | 17301-GLW0-920 | 0 | RUBBER CANISTER MOUNT | 活性碳罐固定橡皮 | 2 | |
| | | 17307-KKC4-M30 | 2 | TUBE ASSY AIR/C-T JOINT | 活性碳罐通氣管 | 1 | |
| | | 17308-KKC4-M30 | 2 | TUBE ASSY CANISTER-T JOINT | 通氣管 | 1 | |
| | | 17310-KGAG-900 | 1 | CANISTER COMP | 活性碳罐 | 1 | |
| | | 17321-KED9-M30 | 2 | JOINT 2 WAY | 連接管 | 2 | |
| | | 17460-KED9-M30 | 1 | VALVE COMP VAPOR CONTROL | 門閥合流控制器 | 1 | |
| | | 17470-KED9-M30 | 1 | JOINT COMP FLOW CONTROL | 流量控制器 | 1 | |
| | | 17684-KQAQ-900 | 0 | TUBE CANISTER AIR | 油管 | 1 | |
| | | 17688-KHE7-M30 | 1 | TUBE ASSY JOINT-ONE WAY | 通氣管 | 1 | |
| | | 17691-KED9-M30 | 1 | TUBE FUEL FLOW-ACV | 通氣管 | 2 | |
| | | 38773-KHE7-M30 | 2 | T JOINT | T型連接管 | 1 | |
| | | 38773-PKB9-001 | 0 | JOINT 3 WAY 3.5 | 三向管接頭 | 1 | |
| | | 95001-45860-40 | 0 | TUBE FUEL 4.5*860 | 油管 4.5*860 | 1 | |
| | | 95001-45870-40 | 0 | TUBE FUEL 4.5*870 | 油管 4.5*870 | 1 | |
| | | 95001-80065-40 | 0 | TUBE FUEL 8*65 | 通氣管 8*65 | 1 | |
| | | 95001-80160-40 | 0 | TUBE FUEL 8*160 | 通氣管 8*160 | 1 | |
| | | 95002-02070 | 0 | CLIP B7 TUBE | 管夾 | 1 | |
| | | 95002-02080 | 0 | CLIP B8 TUBE | 管夾 | 9 | |
| | | 95002-02130 | 0 | CLIP B12.5 TUBE | 管夾 | 6 | |

| 販賣記號 Sales mark | 項目 Ref no | 零件號碼 Part no | 版數 Ver | 英文名稱 Description | 中文名稱 Chinese | 需要用量 Regd no | 參考價 Ref Price |
|-----------------------|--------------|-----------------|-----------|---------------------|-----------------|-----------------|------------------|
| | | 95002-41200-08 | 0 | FUEL TUBE CLAMP | 管夾 | 1 | |

F24

● Be sure to wear a safety helmet when riding.
 ● Do not exceed the speed specified by law when riding.
 ● The exhaust muffler temperature is very high after riding. Be sure to park the motorcycle in a place not easily touched by people.
 ● For riding safety and good performance, do not violate the law to modify the motorcycle.
 ● Make sure to perform the periodic maintenance and provide inspection.

Provide inspection items

Brake Performance, tires, engine oil level, lights, horn, and instrument panel
 KWANG YANG MOTOR CO., LTD.

● Please read the user's manual carefully to avoid riding safety.

87560

CAUTIONS

| | | |
|---------------|--|------------------------------|
| Tire Size | :Front 120/70-12 | Rear 140/70-12 |
| (One Rider) | :Front 1.75kgf/cm ² | Rear 2.25kgf/cm ² |
| (Two Rider) | :Front 2.00kgf/cm ² | Rear 2.50kgf/cm ² |
| Load Capacity | :Shield 1.5kg | Clip assy center 3kg |
| | (As per KYMCO standard specification) | |
| | (Note: The tire pressure must not overpass 2.80kgf/cm ²) | |

● Check the motor oil level with the dipstick after refilling motor oil.

87505

USE UNLEADED GASOLINE ONLY

87501

MADE IN TAIWAN

87571

CAUTIONS

Every 5000 km run should exchange the filter.

87512

CAUTIONS

Never put any article between the rear side cover and the engine to avoid interference of riding.

87542

CAUTION

Mobile phone charge only, Use other appliance may cause damage.

KKC2-E000

87541-KKC2

CAUTIONS

Before starting the engine, the side stand shall be kicked up to secure safety.

87541-GAR1

| 販賣記號 Sales mark | 項目 Ref no | 零件號碼 Part no | 版數 Ver | 英文名稱 Description | 中文名稱 Chinese | 需要用量 Regd no | 參考價 Ref Price |
|-----------------------|--------------|-----------------|-----------|----------------------|-----------------|-----------------|------------------|
| | | 87501-KRDR-E00 | 2 | CAUTION USE GAS ONLY | 貼紙 | 1 | |
| | | 87505-KHE7-E00 | 1 | LABEL TIRE | 貼紙 | 1 | |
| | | 87512-KEBE-E00 | 0 | CAUTION FILTER | 貼紙 | 1 | |
| | | 87541-GAR1-E00 | 1 | CAUTION SIDE STAND | 貼紙 | 1 | |
| | | 87541-KKC2-E00 | 1 | CAUTION MOBILE PHONE | 貼紙 | 1 | |
| | | 87542-GAR1-E00 | 2 | MARK MAINT CAUTION | 貼紙 | 1 | |
| | | 87560-GFY6-E00 | 3 | MARK DRIVE CAUTION | 貼紙 | 1 | |
| | | 87571-KBE2-A40 | 1 | 1MARK MIT | 1 MIT 貼紙 | 1 | |

F26

Emblem Stripe

標
徽

貼
紙

GRANDVISTA

86202

250

87140



86030

F26

| 販賣記號 Sales mark | 項目 Ref no | 零件號碼 Part no | 版數 Ver | 英文名稱 Description | 中文名稱 Chinese | 需要用量 Regd no | 參考價 Ref Price |
|-----------------------|--------------|-----------------|-----------|---------------------|-----------------|-----------------|------------------|
| ** | | 86030-KKC4-900 | 2 | EMB HANDLE COVER RR | 手柄後蓋標誌 | 1 | |
| | | 86202-KKC4-M30 | 1 | EMB BODY COVER | 車體邊蓋標誌 | 2 | |
| | | 87140-KHE7-E00 | 1 | EMB B BODY COVER | 車體邊蓋標誌 B | 2 | |



零件號碼索引
PARTS NO. INDEX

零件號碼索引

PART NO. INDEX

| 零件號碼 PART NO. | 版數 VERSION | 頁次 PAGE | 零件號碼 PART NO. | 版數 VERSION | 頁次 PAGE | 零件號碼 PART NO. | 版數 VERSION | 頁次 PAGE |
|------------------|---------------|------------|------------------|---------------|------------|------------------|---------------|------------|
| 0 | | | 11383-KUDU-900 | 0 | E01 | | | |
| | | | 11384-KHE7-900 | 1 | E04 | | | |
| | | | 11394-KHE7-900 | 1 | E04 | 13000 | | |
| | | | 11395-KHE7-900 | 0 | E01 | | | |
| 0137-261-36G5 | 0 | E08 | 1190-B30-2002 | 0 | E08 | 13000-KHE7-900 | 11 | E03 |
| 0301-261-36G5 | 0 | E08 | 1190-B63-2100 | 0 | E08 | 13011-KHE7-900 | 0 | E03 |
| 0301-803-2000 | 0 | E08 | 1198-817-2000 | 0 | E08 | 13101-KHE7-900 | 5 | E03 |
| 0405-019-1000 | 0 | E08 | | | | 13111-KHE7-900 | 2 | E03 |
| | | | 12000 | | | | | |
| 10000 | | | | | | 14000 | | |
| | | | 1201-830-2300 | 1 | E08 | | | |
| 1028-054-7000 | 0 | E08 | 1202-865-6000 | 0 | E08 | 1402-939-2100 | 0 | E08 |
| 1030-892-2101 | 0 | E08 | 12100-KHE7-900 | 5 | E03 | 14100-KHE7-220 | 0 | E02 |
| 1034-869-2001 | 0 | E08 | 12191-KHE7-910 | 0 | E03 | 14401-KHE7-90A | 0 | E03 |
| 1052-862-2101 | 0 | E08 | 12200-KHE7-900 | 3 | E02 | 14401-KHE7-90B | 0 | E03 |
| 1090-872-2000 | 0 | E08 | 12205-KHE8-301 | 1 | E02 | 14431-KHE7-900 | 0 | E02 |
| | | | 12209-GDB4-68A | 0 | E02 | 14450-KEBE-900 | 0 | E02 |
| | | | 12209-GDB4-68B | 0 | E02 | 14461-KHE7-900 | 0 | E02 |
| 11000 | | | 1221A-KHE7-900 | 1 | E02 | 14510-KHE7-900 | 0 | E03 |
| | | | 12251-KHE7-901 | 1 | E02 | 14520-GFY6-90A | 1 | E03 |
| 11100-KHE7-305 | 5 | E01 | 1229-805-7000 | 0 | E08 | 14523-GFY6-901 | 0 | E03 |
| 11102-1G87-004 | 3 | E01 | 1230-850-2000 | 0 | E08 | 14531-KHE7-900 | 0 | E03 |
| 11102-1G87-004 | 3 | F16 | 1230-851-2001 | 0 | E08 | 14610-KHE7-900 | 0 | E03 |
| 11103-KHE7-900 | 0 | E01 | 1230-856-7001 | 0 | E08 | 14711-KHE7-900 | 0 | E02 |
| 11192-KHE7-900 | 0 | E01 | 12310-KHE7-900 | 1 | E02 | 14721-KHE7-900 | 1 | E02 |
| 11200-KKC4-305 | 2 | E01 | 12361-GFY6-901 | 0 | E04 | 14751-KHE7-900 | 0 | E02 |
| 11207-KKC4-900 | 3 | F13 | 12391-KHE7-900 | 0 | E02 | 14761-KHE7-900 | 0 | E02 |
| 11211-KKC4-900 | 0 | F13 | 1290-996-2000 | 0 | E08 | 14771-GDB4-680 | 2 | E02 |
| 1122A-KKC4-900 | 0 | E07 | 1290-A07-2000 | 0 | E08 | 14775-MFA6-001 | 0 | E02 |
| 11330-KHE7-900 | 6 | E04 | 1290-A28-2000 | 0 | E08 | 14781-MFA6-001 | 0 | E02 |
| 11341-KHE7-900 | 1 | E01 | | | | | | |
| 11345-KKC4-900 | 0 | F20 | | | | | | |
| 11346-GFY6-901 | 0 | F20 | | | | | | |
| 1134A-KHE7-900 | 3 | E01 | | | | | | |

零件號碼索引

PART NO. INDEX

| 零件號碼 PART NO. | 版數 VERSION | 頁次 PAGE | 零件號碼 PART NO. | 版數 VERSION | 頁次 PAGE | 零件號碼 PART NO. | 版數 VERSION | 頁次 PAGE | |
|-------------------|----------------|------------|------------------|----------------|------------|------------------|----------------|------------|-----|
| 15000 | | | 1721A-KKC3-900 | 1 | F13 | 17910-KKC4-900 | 0 | F03 | |
| | | | 17228-KKC4-900 | 0 | F21 | 17911-KKC4-900 | 0 | F03 | |
| | | | 17231-KKC3-900 | 3 | F13 | | | | |
| | | | 1723A-KKC4-E00 | 3 | F13 | | | | |
| | 15100-KEBE-900 | 0 | E06 | 17301-GLW0-920 | 0 | F24 | 18000 | | |
| | 15133-KAM1-001 | 0 | E06 | 17305-KKC4-M30 | 0 | F10 | | | |
| | 15141-KKJ9-004 | 0 | E06 | 17307-KKC4-M30 | 2 | F24 | 18291-LBA7-900 | 2 | F14 |
| | 15421-1G07-001 | 1 | E04 | 17308-KKC4-M30 | 2 | F24 | 18293-KECE-900 | 0 | F14 |
| | 15426-GAE1-921 | 0 | E04 | 17310-KGAG-900 | 1 | F24 | 18294-KEBE-900 | 0 | F14 |
| | 15441-1K49-001 | 0 | E03 | 17321-KED9-M30 | 2 | F24 | 18295-KECE-900 | 0 | F14 |
| | 15447-1K49-001 | 0 | E03 | 17359-4K19-671 | 0 | F13 | 18305-KHD8-900 | 0 | F14 |
| | 1565A-KEBE-900 | 0 | E04 | 17369-KDB4-671 | 1 | F23 | 18306-KHE7-900 | 0 | F14 |
| | 15711-KHE7-900 | 0 | E06 | 17370-4K19-670 | 0 | F13 | 1830A-KHE7-M30 | 0 | F14 |
| | 15772-5L00-013 | 1 | F24 | 17371-1D74-671 | 0 | F13 | 18318-KHE7-M30 | 0 | F14 |
| | 16000 | | | 17450-KED9-M30 | 1 | F10 | 18325-KHE7-900 | 1 | F14 |
| | | | 17460-KED9-M30 | 1 | F24 | 18601-MAJ1-791 | 1 | E02 | |
| | | | 17470-KED9-M30 | 1 | F24 | 18612-GFY6-941 | 0 | E02 | |
| | | | 17500-KKC4-900 | 2 | F10 | 18618-LLF5-90A | 2 | F23 | |
| 16053-KT7-0030 | | 0 | E08 | 17502-KKC4-MY0 | 2 | F10 | 18618-LLF5-90B | 1 | F23 |
| 16075-KG8-9010-M1 | | 0 | E08 | 17510-KKC4-900 | 0 | F10 | 18645-GFY6-941 | 0 | E02 |
| 1610K-KKC4-M30 | | 2 | E08 | 17520-KKC4-900 | 0 | F19 | 18646-GFY6-941 | 0 | E02 |
| 16145-MZ2-7800 | | 0 | E08 | 17530-KGB5-900 | 1 | F10 | 18647-KHE7-900 | 1 | E02 |
| 1614-834-2100 | | 0 | E08 | 17550-KHC4-900 | 0 | F10 | 18656-KKC4-80A | 1 | F23 |
| 16155-ZG8-L100 | | 0 | E08 | 17620-KHC4-MYA | 0 | F19 | 18656-KKC4-80B | 0 | F23 |
| 16199-GY6-9000 | | 0 | E08 | 17620-KHC4-MYB | 0 | F19 | 1880A-KKC4-80A | 2 | F23 |
| 16700-KHE7-900 | | 5 | F10 | 17623-KHC4-90A | 6 | F19 | 1880A-KKC4-80B | 2 | F23 |
| 16740-LLJ3-M30 | | 1 | F10 | 17623-KHC4-90B | 1 | F19 | 18814-KKC4-80A | 1 | F23 |
| 16750-KHE7-900 | | 1 | F10 | 17682-KKC4-900 | 0 | F10 | 18814-KKC4-80B | 0 | F23 |
| 16911-KKC4-MY0 | | 0 | F10 | 17683-KKC4-MY0 | 0 | F10 | | | |
| 16912-KKC4-MY0 | 0 | F10 | 17684-KQAQ-900 | 0 | F24 | | | | |
| 1691A-KEC2-E00 | 0 | F10 | 17685-KZCZ-900 | 0 | F10 | 19000 | | | |
| 16978-ZB9-0050 | 0 | E08 | 17688-KHE7-M30 | 1 | F10 | | | | |
| 17110-KHE7-900 | 3 | E02 | 17688-KHE7-M30 | 1 | F24 | 19005-KKC4-900 | 2 | F21 | |
| 17214-KKC3-900 | 0 | F13 | 17689-KEBE-900 | 1 | F10 | 19010-KKC4-900 | 2 | F21 | |
| 17215-KGBG-90A | 2 | F13 | 17691-KED9-M30 | 1 | F24 | 19012-KHD8-900 | 4 | F21 | |

零件號碼索引

PART NO. INDEX

| 零件號碼 PART NO. | 版數 VERSION | 頁次 PAGE | 零件號碼 PART NO. | 版數 VERSION | 頁次 PAGE | 零件號碼 PART NO. | 版數 VERSION | 頁次 PAGE |
|------------------|---------------|------------|------------------|---------------|------------|------------------|---------------|------------|
| 19015-KKC4-900 | 2 | F21 | | | | | | |
| 19020-KED9-900 | 1 | F21 | | | | | | |
| 19030-KHD8-900 | 1 | F21 | 22000 | | | 28000 | | |
| 19101-KKC4-900 | 0 | F21 | | | | | | |
| 19102-KKC4-900 | 0 | F21 | 22101-KHE7-900 | 1 | E05 | 28101-KHE7-900 | 0 | E06 |
| 19104-KKC4-900 | 0 | F21 | 22102-KHE7-900 | 1 | E05 | 28102-KHE7-900 | 0 | E06 |
| 19105-KKC4-900 | 0 | F21 | 22105-KHE7-900 | 1 | E05 | 28110-LDB2-E00 | 2 | E06 |
| 19111-GBE2-004 | 1 | F21 | 22110-KHE7-900 | 5 | E05 | 28120-LDB2-E00 | 0 | E06 |
| 19120-KKC4-900 | 4 | F21 | 22112-KHE7-900 | 1 | E05 | | | |
| 19210-KKC4-900 | 0 | F21 | 22121-KHE7-90A | 1 | E05 | | | |
| 19215-KHE7-900 | 0 | E04 | 22131-KHE7-900 | 1 | E05 | 30000 | | |
| 19217-6G57-024 | 0 | E04 | 22132-KHE7-900 | 2 | E05 | | | |
| 19221-KHE7-900 | 2 | E04 | 22300-KHE7-900 | 1 | E05 | 30400-KHE7-900 | 2 | F19 |
| 19229-KHE7-900 | 0 | E04 | 22350-KHE7-900 | 0 | E05 | 3051A-KKC4-900 | 0 | F19 |
| 19231-KKJ9-011 | 0 | E04 | 22361-KHE7-900 | 0 | E05 | 30700-KFC8-E0H | 1 | F19 |
| 19300-KAE1-004 | 1 | E02 | 22401-KHE7-900 | 0 | E05 | | | |
| 19310-KHE7-900 | 1 | E02 | 22530-KHE7-900 | 0 | E05 | | | |
| 19315-KHE7-900 | 0 | E02 | 22804-GBB2-001 | 0 | E05 | 31000 | | |
| 19411-KBCB-900 | 0 | F10 | | | | | | |
| 19501-KHE7-900 | 0 | E04 | | | | 31110-KHE7-90A | 0 | E06 |
| 19502-KHE7-900 | 0 | E04 | 23000 | | | 31120-KKC4-90A | 2 | E06 |
| 19503-KHE7-900 | 1 | E02 | | | | 31210-KHE7-90A | 1 | E06 |
| 19504-KKC4-900 | 0 | F21 | 2301A-LLJ3-E00 | 3 | E05 | 31500-KHE7-90A | 2 | F11 |
| 19505-GFY6-940 | 3 | F23 | 23100-KHE7-900 | 0 | E05 | 31500-KHE7-90B | 2 | F11 |
| 19505-KKC4-900 | 0 | F21 | 23200-KHE7-900 | 6 | E05 | 31600-KAM1-009 | 1 | F19 |
| 19506-KKC4-900 | 1 | F21 | 23220-KHE7-900 | 3 | E05 | 31601-KKC4-900 | 4 | F19 |
| | | | 23225-KHE7-900 | 0 | E05 | 31602-KKC4-900 | 0 | F19 |
| 21000 | | | 23226-GHC8-004 | 0 | E05 | | | |
| | | | 23233-KHE7-900 | 0 | E05 | 32000 | | |
| | | | 23237-KHE7-900 | 0 | E05 | | | |
| 21200-KHE7-305 | 0 | E07 | 23238-KHE7-900 | 0 | E05 | | | |
| 21395-KHE7-900 | 0 | E07 | 23411-KHE7-900 | 3 | E07 | 32100-KKC4-M30 | 1 | F19 |
| | | | 23420-KHE7-910 | 1 | E07 | 32101-KHE7-E00 | 0 | E06 |
| | | | 23431-KHE7-900 | 2 | E07 | 32410-KKC4-900 | 1 | E06 |
| | | | 23432-KHE7-910 | 0 | E07 | 32411-KKC4-800 | 1 | F11 |

零件號碼索引

PART NO. INDEX

| 零件號碼 PART NO. | 版數 VERSION | 頁次 PAGE | 零件號碼 PART NO. | 版數 VERSION | 頁次 PAGE | 零件號碼 PART NO. | 版數 VERSION | 頁次 PAGE |
|------------------|---------------|------------|--------------------|---------------|------------|------------------|---------------|------------|
| 32412-KKC4-800 | 2 | F11 | 33761-KHC5-M00 | 1 | F18 | 37000 | | |
| | | | 33900-KFBF-900 | 0 | F12 | | | |
| 33000 | | | 34000 | | | 37200-KKC4-900 | 3 | F02 |
| 33100-KKC4-M30 | 0 | F01 | | | | 37203-KKC4-900 | 0 | F02 |
| 33120-KKC4-M30 | 0 | F01 | 34901-KED9-900 | 0 | F01 | 37204-KKC4-900 | 0 | F02 |
| 33130-KKC4-E00 | 0 | F01 | 34903-KPCP-900 | 0 | F01 | 37710-KGBG-E00 | 0 | E08 |
| 33400-KKC4-E00 | 0 | F17 | 34903-KPCP-900 | 0 | F18 | 37720-KGB5-900 | 0 | E02 |
| 33402-KKC4-E00 | 0 | F17 | 34905-KKC4-M30 | 0 | F17 | 37720-KGBG-E00 | 0 | E08 |
| 33403-KKC4-E00 | 0 | F17 | 34905-KPCP-900 | 0 | F17 | 37720-KGBG-E00 | 0 | F19 |
| 33407-KKC4-E00 | 0 | F17 | 34906-KPCP-900 | 0 | F18 | 37750-PAC1-005 | 0 | E02 |
| 33450-KKC4-E00 | 0 | F17 | 34909-KEBE-900 | 0 | F02 | 37760-KGBG-E10 | 1 | F19 |
| 33452-KKC4-E00 | 0 | F17 | 34909-KFBF-900 | 0 | F12 | 37760-KHD8-900 | 0 | F21 |
| 33453-KKC4-E00 | 0 | F17 | | | | 37801-KEB7-MY0 | 0 | F10 |
| 33457-KKC4-E00 | 0 | F17 | 35000 | | | 37802-GGA7-701 | 2 | F10 |
| 33600-KKC4-M30 | 0 | F17 | | | | 3780A-KKC4-MY0 | 1 | F10 |
| 33602-KKC4-E00 | 0 | F17 | | | | | | |
| 33603-KKC4-E00 | 0 | F17 | 35101-KHC4-305 | 5 | F19 | | | |
| 33606-KKC4-M30 | 0 | F17 | 35101-KHC4-305-M2 | 0 | F19 | 38000 | | |
| 33650-KKC4-M30 | 0 | F17 | 35102-KHE2-80A | 0 | F19 | | | |
| 33652-KKC4-E00 | 0 | F17 | 35102-KHE2-80B | 0 | F19 | 3800A-KKC4-800 | 1 | F19 |
| 33653-KKC4-E00 | 0 | F17 | 35108-KKC4-80A | 0 | F19 | 38110-KKC3-90A | 1 | F19 |
| 33656-KKC4-M30 | 0 | F17 | 35108-KKC4-80B | 0 | F19 | 38110-KKC3-90B | 1 | F19 |
| 33700-KKC4-M30 | 1 | F18 | 3515A-KKC4-B000-SG | 0 | F03 | 38200-KHE7-900 | 0 | F19 |
| 33702-KKC4-E00 | 0 | F18 | 3520A-KEBE-900 | 2 | F03 | 38300-KHB5-M30 | 2 | F19 |
| 33705-KKC4-M30 | 0 | F18 | 35340-KKC4-80A | 0 | F12 | 38500-KHD8-900 | 0 | F11 |
| 33709-KBAB-003 | 0 | F18 | 35340-KKC4-80B | 0 | F12 | 38500-KHD8-90A | 0 | F11 |
| 33720-KHB5-M00 | 1 | F18 | 35340-KNBN-901 | 0 | F04 | 38773-KBCB-900 | 0 | F10 |
| 33721-KHB5-M00 | 0 | F18 | 35350-KNBN-901 | 0 | F04 | 38773-KHE7-M30 | 2 | F24 |
| 33722-KHB4-E00 | 0 | F18 | 35370-KEC8-E00 | 2 | F19 | 38773-PKB9-001 | 0 | F21 |
| 33723-KHB5-M00 | 0 | F18 | 35400-KHE7-900 | 1 | F19 | 38773-PKB9-001 | 0 | F10 |
| 33726-KHB5-M00 | 0 | F18 | 35850-KHD8-900 | 1 | F19 | 38773-PKB9-001 | 0 | F24 |
| 33731-KHC5-M00 | 1 | F06 | 35850-KHD8-90A | 0 | F19 | | | |
| 33741-KHC5-M00 | 0 | F18 | | | | | | |

零件號碼索引

PART NO. INDEX

| 零件號碼 PART NO. | 版數 VERSION | 頁次 PAGE | 零件號碼 PART NO. | 版數 VERSION | 頁次 PAGE | 零件號碼 PART NO. | 版數 VERSION | 頁次 PAGE |
|------------------|---------------|------------|------------------|---------------|------------|--------------------|---------------|------------|
| 39000 | 0 | F19 | 43107-KKC4-900 | 0 | F08 | 45126-KKC2-B20 | 2 | F04 |
| | | | 43108-KKC4-900 | 0 | F08 | 45128-KEBE-900 | 0 | F04 |
| | | | 43109-KKC4-900 | 0 | F08 | 45131-1F66-017 | 0 | F07 |
| | | | 43115-KKC4-900 | 0 | F08 | 45131-GBE2-007 | 1 | F07 |
| | | | 43126-KKC4-B21 | 1 | F04 | 45132-1F66-017 | 0 | F07 |
| | | | 43156-KKC4-900 | 1 | F04 | 45133-MCA3-007 | 0 | F07 |
| | | | 43209-KKC4-900 | 0 | F08 | 45150-LLB5-305 | 0 | F07 |
| | | | 43351-KHE7-E00 | 2 | F08 | 45156-KECE-900 | 1 | F06 |
| | | | 43352-5H68-004 | 3 | F07 | 45200-KKC2-E00 | 1 | F07 |
| | | | 43352-5H68-004 | 3 | F08 | 45203-KKC4-900 | 0 | F08 |
| 40000 | 0 | E08 | 43353-4A61-77A | 0 | F07 | 45209-GBE2-007 | 0 | F07 |
| | | | 43353-4A61-77A | 0 | F08 | 45210-KHD8-900 | 0 | F07 |
| | | | 43416-KKC4-900 | 3 | F18 | 45215-KECE-900 | 0 | F07 |
| | | | 43530-KFC8-305 | 1 | F04 | 45216-1F66-007 | 0 | F07 |
| | | | | | | 45216-KFW6-90A | 0 | F07 |
| | | | | | | 45351-KHE7-E00 | 1 | F07 |
| | | | | | | 45513-KXCX-M00 | 1 | F04 |
| | | | | | | 45517-KFAF-910 | 0 | F04 |
| | | | | | | 45520-GLW0-91A | 0 | F04 |
| | | | | | | 45530-KFC8-E000-IT | 2 | F04 |
| 41000 | 0 | E08 | | | | 45531-GAR1-951 | 0 | F07 |
| | | | | | | 45531-GAR1-951 | 0 | F08 |
| | | | | | | 50000 | | |
| | | | | | | 50100-KKC4-M30 | 2 | F20 |
| | | | | | | 50139-KKC4-800 | 1 | F10 |
| | | | | | | 50185-KKC4-900 | 0 | F20 |
| | | | | | | 50186-KKC4-900 | 0 | F20 |
| | | | | | | 50191-KKC4-900 | 0 | F20 |
| | | | | | | 50197-KKC4-900 | 1 | F10 |
| | | | | | | 50301-KGN7-671 | 2 | F20 |
| 42000 | 0 | F08 | 44301-KXCX-900 | 4 | F07 | 50302-2H68-011 | 2 | F20 |
| | | | 44311-KEBE-900 | 0 | F07 | 50306-1F96-001 | 0 | F06 |
| | | | 44620-KHD8-900 | 1 | F07 | | | |
| | | | 44650-KHD8-30A | 3 | F07 | | | |
| | | | 44650-KHD8-30C | 4 | F07 | | | |
| | | | 44710-KKC4-900 | 3 | F07 | | | |
| | | | 44800-KFA5-900 | 1 | F07 | | | |
| | | | 44830-KKC4-900 | 2 | F02 | | | |
| | | | 44831-KKC4-900 | 0 | F02 | | | |
| | | | | | | | | |
| 43000 | 0 | F08 | 45000 | | | | | |
| | | | 45107-MEN5-007 | 0 | F07 | | | |
| | | | 45108-MDL4-007 | 2 | F07 | | | |
| | | | 45109-GBE2-007 | 0 | F07 | | | |
| | | | 45111-KKC4-900 | 0 | F08 | | | |
| | | | | | | | | |
| | | | | | | | | |
| | | | | | | | | |
| | | | | | | | | |
| | | | | | | | | |
| | | | | | | | | |
| 43100-KKC4-900 | 0 | F08 | | | | | | |
| 43105-KKC4-900 | 0 | F08 | | | | | | |

零件號碼索引

PART NO. INDEX

| 零件號碼 PART NO. | 版數 VERSION | 頁次 PAGE | 零件號碼 PART NO. | 版數 VERSION | 頁次 PAGE | 零件號碼 PART NO. | 版數 VERSION | 頁次 PAGE |
|------------------|---------------|------------|------------------|---------------|------------|------------------|---------------|------------|
| 50326-KKC4-800 | 2 | F11 | | | | | | |
| 50328-KKC4-800 | 2 | F11 | | | | | | |
| 5032A-KKC4-800 | 2 | F11 | 52000 | | | 61000 | | |
| 50350-KKC4-E00 | 0 | F20 | | | | | | |
| 50352-GFY6-901 | 0 | F20 | 52000-KKC4-900 | 2 | F16 | 61110-KKC4-M30 | 0 | F06 |
| 50353-KGN7-901 | 0 | F20 | 52400-KKC4-900 | 3 | F16 | | | |
| 50356-KHE7-E00 | 0 | F20 | | | | | | |
| 50364-KKC4-E00 | 0 | F20 | | | | 64000 | | |
| 50502-GFY6-901 | 2 | F15 | 53000 | | | | | |
| 50504-KKC4-900 | 2 | E01 | | | | 64220-KKC4-900 | 1 | F05 |
| 50505-KKD7-900 | 1 | F15 | 53100-KKC4-900 | 0 | F03 | 64221-KKC4-900 | 0 | F05 |
| 5050A-KKC4-800 | 3 | F15 | 53105-KFC8-900 | 2 | F03 | 64222-KKC4-900 | 3 | F05 |
| 50530-KKC4-900 | 1 | F15 | 53106-KFC8-900 | 2 | F03 | 64301-KKC4-900 | 0 | F05 |
| 50613-KKC4-900 | 1 | F20 | 53125-GEN5-901 | 0 | F03 | 64302-KKC4-900 | 0 | F05 |
| 5061A-KKC3-900 | 1 | F20 | 53140-KKC4-900 | 0 | F03 | 64305-KKC4-900 | 2 | F05 |
| | | | 53166-KGB5-900 | 0 | F03 | 64306-KKC4-900 | 2 | F05 |
| | | | 53175-KFA5-E10 | 0 | F04 | 64309-KKC4-900 | 0 | F05 |
| 51000 | | | 53178-KFC8-E10 | 0 | F04 | 64310-KKC4-900 | 0 | F05 |
| | | | 53200-KKC2-900 | 2 | F06 | 64311-KKC4-900 | 3 | F05 |
| 51400-KKC4-900 | 2 | F06 | 53204-KKC4-900 | 2 | F05 | 64312-KKC4-900 | 3 | F05 |
| 51401-KHD8-900 | 0 | F22 | 53205-KKC4-900 | 2 | F03 | 64315-KKC4-900 | 4 | F20 |
| 51410-KHD8-900 | 0 | F22 | 53206-KKC4-900 | 1 | F03 | 64317-KKC4-900 | 1 | F05 |
| 51411-KHD8-900 | 0 | F22 | 53207-KKC4-900 | 0 | F03 | 64318-KKC4-900 | 0 | F21 |
| 51412-KHD8-900 | 0 | F22 | 53208-KKC4-900 | 0 | F03 | 64320-KKC4-900 | 0 | F05 |
| 51413-KHD8-900 | 0 | F22 | 53209-KKC4-900 | 0 | F03 | 64321-KKC4-900 | 3 | F05 |
| 51420-KKC4-900 | 0 | F22 | 53211-GFY6-940 | 1 | F06 | 64322-KKC4-900 | 1 | F05 |
| 51422-KKC4-900 | 0 | F22 | 53212-2L50-011 | 0 | F06 | 64327-KKC4-900 | 1 | F02 |
| 51423-KKAK-900 | 0 | F22 | 53214-2L50-001 | 0 | F06 | 64328-KKC4-900 | 0 | F02 |
| 51427-KKAK-900 | 0 | F22 | 53214-KKC4-900 | 0 | F05 | 64400-KKC4-900 | 0 | F05 |
| 51428-KKAK-900 | 0 | F22 | 53215-2L50-001 | 0 | F06 | | | |
| 51429-KHD8-900 | 0 | F22 | 53224-KKC4-900 | 0 | F05 | | | |
| 5150A-KKC4-900 | 3 | F06 | | | | 77000 | | |
| 51520-KKC4-900 | 0 | F22 | | | | | | |
| | | | | | | 77200-KKC4-B24 | 2 | F09 |
| | | | | | | 77210-KKC4-900 | 0 | F09 |

零件號碼索引

PART NO. INDEX

| 零件號碼 PART NO. | 版數 VERSION | 頁次 PAGE | 零件號碼 PART NO. | 版數 VERSION | 頁次 PAGE | 零件號碼 PART NO. | 版數 VERSION | 頁次 PAGE |
|------------------|---------------|------------|------------------|---------------|------------|------------------|---------------|------------|
| 77220-KKC4-B24 | 1 | F09 | | | | 88114-KKC4-900 | 3 | F03 |
| 77235-KKC4-80A | 0 | F12 | | | | 88115-KKC4-900 | 0 | F03 |
| 77235-KKC4-80B | 0 | F12 | 83000 | | | 88116-KKC4-900 | 3 | F03 |
| 77240-LLJ3-E01 | 1 | F12 | | | | 88120-KKC4-900 | 7 | F03 |
| 77300-KKC4-800 | 1 | F09 | 83500-KKC4-800 | 2 | F12 | 88125-KKC4-900 | 0 | F03 |
| | | | 83600-KKC4-800 | 2 | F12 | 88126-KKC4-900 | 3 | F03 |
| 80000 | | | 8360A-KKC4-900 | 0 | F13 | 88130-KKC4-900 | 0 | F03 |
| | | | 83750-KKC4-900 | 1 | F12 | 88135-KKC4-900 | 1 | F03 |
| | | | 8376A-KEBE-900 | 4 | F05 | | | |
| 80100-KKC4-900 | 4 | F18 | | | | 89000 | | |
| 80101-KKC4-800 | 3 | F18 | | | | | | |
| 80105-KKC4-800 | 4 | F18 | 86000 | | | | | |
| 80151-KKC4-900 | 0 | F12 | | | | 89010-KKC4-800 | 1 | F09 |
| | | | 86030-KKC4-900 | 2 | F26 | 89013-KFC8-E00 | 1 | F09 |
| 81000 | | | 86102-KKC4-900 | 1 | F05 | 89020-KKC4-900 | 1 | F09 |
| | | | 86202-KKC4-M30 | 1 | F26 | 89310-KGN7-306 | 1 | F19 |
| 81131-KKC4-900 | 0 | F05 | | | | | | |
| 81132-KEB7-900 | 1 | F05 | 87000 | | | 90000 | | |
| 81136-KKC4-900 | 0 | F05 | | | | | | |
| 81137-KKC4-900 | 0 | F05 | 87140-KHE7-E00 | 1 | F26 | 90001-GBHB-661 | 0 | E06 |
| 81147-KKC4-900 | 0 | F05 | 87501-KRDR-E00 | 2 | F25 | 90001-GHB-661 | 0 | E03 |
| 81151-KKC4-900 | 0 | F12 | 87505-KHE7-E00 | 1 | F25 | 90005-KEC8-900 | 1 | E03 |
| 81201-KKC4-800 | 1 | F12 | 87508-KKC4-E00 | 1 | F05 | 90012-3C33-001 | 0 | E02 |
| 81202-KKC4-900 | 0 | F12 | 87512-KEBE-E00 | 0 | F25 | 90021-GFY6-900 | 2 | F14 |
| 8120A-KKC4-900 | 6 | F12 | 87541-GAR1-E00 | 1 | F25 | 90031-KEBE-900 | 0 | E01 |
| 81252-KKC4-800 | 2 | F12 | 87541-KKC2-E00 | 1 | F25 | 90032-KEBE-900 | 0 | E01 |
| 81255-KKC4-800 | 1 | F12 | 87542-GAR1-E00 | 2 | F25 | 90033-GFY6-900 | 0 | E02 |
| 81257-KKC4-800 | 1 | F12 | 87560-GFY6-E00 | 3 | F25 | 90033-GFY6-941 | 0 | E02 |
| 81260-KKC4-700 | 3 | F12 | 87571-KBE2-A40 | 1 | F25 | 90071-MLB0-001 | 0 | E06 |
| 81400-KKC4-900 | 0 | F12 | | | | 90084-4H28-001 | 0 | E04 |
| 81500-KKC4-900 | 0 | F12 | | | | 9008A-KHE7-900 | 0 | E04 |
| | | | 88000 | | | 90105-KCR3-001 | 1 | F07 |
| | | | | | | 90105-KCR3-001 | 1 | F08 |
| | | | 88110-KKC4-900 | 7 | F03 | 90105-KEN5-001 | 0 | F12 |

零件號碼索引

PART NO. INDEX

| 零件號碼 PART NO. | 版數 VERSION | 頁次 PAGE | 零件號碼 PART NO. | 版數 VERSION | 頁次 PAGE | 零件號碼 PART NO. | 版數 VERSION | 頁次 PAGE |
|------------------|---------------|------------|------------------|---------------|------------|------------------|---------------|------------|
| 90105-KGN7-671 | 1 | F20 | 90302-GFY6-940 | 1 | F12 | 90912-KFLF-00A | 0 | F07 |
| 90105-KNBN-901 | 0 | F12 | 90302-GFY6-940 | 1 | F18 | 90913-KKC4-900 | 0 | F21 |
| 90106-GEN5-901 | 0 | F03 | 90302-KEC8-900 | 1 | F03 | 90915-KKC4-900 | 1 | F02 |
| 90106-KFC2-900 | 0 | F03 | 90302-KFC2-900 | 1 | F18 | | | |
| 90106-KFC2-900 | 0 | F12 | 90302-SDA4-004 | 1 | F05 | | | |
| 90106-KHE7-E00 | 0 | F20 | 90302-SDA4-004 | 1 | F12 | 91000 | | |
| 90106-KKC4-900 | 0 | F12 | 90304-4H38-001 | 2 | E02 | | | |
| 90108-KKC4-900 | 1 | F15 | 90304-4H38-001 | 2 | F18 | 91001-KHE7-900 | 0 | E03 |
| 90110-KEB7-900 | 1 | F06 | 90304-GHE8-004 | 0 | F03 | 91001-KKJ9-006 | 0 | E04 |
| 90110-KHD8-900 | 0 | F14 | 90304-GHE8-004 | 0 | F20 | 91002-GGA7-70A | 0 | E05 |
| 90111-1G87-001 | 1 | F12 | 90305-GHK8-001 | 1 | F12 | 91003-KHE7-900 | 0 | E01 |
| 90112-KNBN-901 | 1 | F11 | 90305-KFW6-91A | 0 | F08 | 91004-KHE7-900 | 1 | E05 |
| 90114-1F66-007 | 2 | F04 | 90306-KLF0-901 | 0 | F07 | 91009-KHE7-900 | 0 | E07 |
| 90114-GDM4-011 | 1 | F13 | 90381-GEZ5-001 | 1 | F12 | 91201-KKJ9-004 | 0 | E04 |
| 90116-KHD8-900 | 0 | F22 | 90401-KKJ9-001 | 0 | E05 | 91202-KHE7-900 | 0 | E01 |
| 90121-KHE7-E00 | 0 | F20 | 90401-KKJ9-001 | 0 | E06 | 91202-KKC4-900 | 0 | E01 |
| 90122-KEBE-900 | 2 | F07 | 90423-KKJ9-001 | 0 | E04 | 91211-KHE7-900 | 0 | E05 |
| 90131-GLW0-911 | 0 | F08 | 90441-GFY6-941 | 0 | E05 | 91255-KHE7-900 | 0 | E07 |
| 90131-KFAF-900 | 0 | F16 | 90465-MDC4-001 | 0 | E02 | 91301-KHE7-900 | 0 | E02 |
| 90145-MKS9-61A | 1 | F04 | 90474-3C33-001 | 1 | E01 | 91302-0A01-021 | 0 | E04 |
| 90201-KHE7-900 | 0 | E05 | 90478-7L00-001 | 0 | E02 | 91302-2L00-001 | 0 | E02 |
| 90201-KHR8-75A | 0 | E05 | 90478-7L00-001 | 0 | E04 | 91302-KHE7-900 | 0 | E04 |
| 90201-KHR8-75A | 0 | E06 | 9052A-GFY6-950 | 1 | E01 | 91303-3G77-001 | 0 | E04 |
| 90202-1G87-001 | 0 | E05 | 90544-KEC8-900 | 0 | F22 | 91306-1E05-691 | 0 | E03 |
| 90206-0A01-001 | 1 | E02 | 90545-3L00-001 | 2 | F04 | 91307-0E35-001 | 0 | E04 |
| 90215-GLM0-910 | 1 | F14 | 90605-1F66-721 | 0 | E05 | 91309-4E25-004 | 0 | E06 |
| 90215-KKC4-900 | 1 | F12 | 90652-GFY6-901 | 1 | E02 | 91351-KHE7-900 | 0 | E05 |
| 90301-GFY6-901 | 1 | F14 | 90652-KHE7-900 | 0 | F13 | 91407-SGA7-004 | 0 | F13 |
| 90302-GBR2-001 | 1 | F05 | 90656-GFY6-911 | 0 | F03 | 91508-KGV7-67A | 0 | F18 |
| 90302-GBR2-001 | 1 | F21 | 90656-KUDU-900 | 0 | F19 | | | |
| 90302-GFY6-901 | 1 | F03 | 90677-GAR1-004 | 1 | F18 | | | |
| 90302-GFY6-901 | 1 | F05 | 90677-GAR1-004 | 1 | F05 | 92000 | | |
| 90302-GFY6-901 | 1 | F21 | 90683-GAR1-004 | 4 | F18 | | | |
| 90302-GFY6-940 | 1 | F02 | 90754-GHC8-00A | 1 | F07 | 92101-05032-0H | 0 | E06 |
| 90302-GFY6-940 | 1 | F05 | 90754-GHC8-00B | 1 | F07 | 92900-06050-0B | 0 | E02 |

零件號碼索引

PART NO. INDEX

| 零件號碼 PART NO. | 版數 VERSION | 頁次 PAGE | 零件號碼 PART NO. | 版數 VERSION | 頁次 PAGE | 零件號碼 PART NO. | 版數 VERSION | 頁次 PAGE |
|------------------|---------------|------------|-------------------|---------------|------------|------------------|---------------|------------|
| | | | 93903-34260 | 0 | F05 | 94101-06200 | 0 | F14 |
| | | | 93903-34360 | 0 | F03 | 94101-06700 | 0 | F14 |
| | | | 93903-34360 | 0 | F05 | 94111-06800 | 0 | F14 |
| | | | 93903-34360 | 0 | F12 | 94251-08400 | 0 | F08 |
| 93404-06016-06 | 0 | F05 | 93903-34360 | 0 | F13 | 94301-08140 | 0 | E04 |
| 93404-06016-06 | 0 | F21 | 93903-34360 | 0 | F17 | 94301-10160 | 0 | E01 |
| 93404-06016-06 | 0 | F09 | 93903-34360 | 0 | F18 | 94301-10160 | 0 | E02 |
| 93404-06016-06 | 0 | F18 | 93903-34360 | 0 | F20 | 94301-10160 | 0 | E03 |
| 93404-06016-06 | 0 | F19 | 93903-34360 | 0 | F21 | 94301-10160 | 0 | E04 |
| 93404-06020-06 | 1 | F05 | 93903-35220 | 0 | F10 | 94301-10160 | 0 | E07 |
| 93404-KKC2-900 | 1 | F05 | 93903-35320 | 0 | F13 | 94303-04065 | 0 | E06 |
| 93500-03010-1A | 0 | E06 | 93903-35360 | 0 | F01 | 94401-25140 | 4 | E03 |
| 93500-04008-1H | 0 | E08 | 93903-35360 | 0 | F03 | 94510-10000 | 0 | E06 |
| 93500-04010-1H | 0 | E08 | 93903-35360 | 0 | F12 | 94510-25000 | 0 | E07 |
| 93500-04012-0H | 0 | F12 | 93903-45360 | 0 | E01 | 94520-26000 | 0 | E04 |
| 93500-04012-1H | 0 | E08 | 93903-GFY6-900 | 1 | F05 | 94520-28000 | 0 | E05 |
| 93500-04020-0G | 0 | F19 | 93903-GFY6-900 | 1 | F11 | 94591-27000 | 0 | F05 |
| 93500-05010-0H | 0 | F19 | 93903-GFY6-900 | 1 | F12 | 94591-KFBF-900 | 2 | E02 |
| 93500-05016-0H | 0 | E02 | 93903-KEB7-900-06 | 1 | F05 | 94601-17000 | 0 | E03 |
| 93500-05016-0H | 0 | E06 | | | | 94601-33000 | 0 | E05 |
| 93500-05016-1B | 0 | F03 | | | | 94605-KHD8-900 | 0 | F22 |
| 93500-05025-1B | 0 | F03 | 94000 | | | 94608-30000 | 0 | F22 |
| 93500-05032-1B | 0 | F03 | | | | | | |
| 93500-05045-1B | 0 | F03 | 94050-05080 | 0 | F18 | | | |
| 93600-04012-1G | 0 | F04 | 94050-06080 | 0 | E02 | 95000 | | |
| 93700-05018-0H | 0 | F02 | 94050-06080 | 0 | F04 | | | |
| 93891-05012-06 | 0 | F05 | 94050-06080 | 0 | F06 | 95001-35225-40 | 0 | F21 |
| 93891-05016-08 | 0 | F13 | 94050-06080 | 0 | F09 | 95001-451050-60 | 0 | F10 |
| 93891-05030-07 | 0 | F18 | 94050-06080 | 0 | F10 | 95001-45860-40 | 0 | F24 |
| 93892-04008-18 | 0 | E08 | 94050-06080 | 0 | F11 | 95001-45870-40 | 0 | F24 |
| 93893-04012-18 | 0 | F04 | 94050-06080 | 0 | F18 | 95001-80065-40 | 0 | F24 |
| 93901-32310 | 1 | F17 | 94050-06080 | 0 | F19 | 95001-80160-40 | 0 | F24 |
| 93901-34220 | 0 | F17 | 94050-06080 | 0 | F21 | 95002-02070 | 0 | F10 |
| 93901-34320 | 0 | F18 | 94050-08080 | 0 | E02 | 95002-02070 | 0 | F21 |
| 93903-25460 | 0 | F13 | 94050-08080 | 0 | F19 | 95002-02070 | 0 | F23 |

零件號碼索引

PART NO. INDEX

| 零件號碼 PART NO. | 版數 VERSION | 頁次 PAGE | 零件號碼 PART NO. | 版數 VERSION | 頁次 PAGE | 零件號碼 PART NO. | 版數 VERSION | 頁次 PAGE |
|------------------|---------------|------------|------------------|---------------|------------|------------------|---------------|------------|
| 95002-02070 | 0 | F24 | 95701-06016-06 | 0 | F21 | 96001-06125-08 | 0 | E04 |
| 95002-02080 | 0 | E07 | 95701-06016-08 | 0 | F21 | 96100-60000-00 | 0 | E04 |
| 95002-02080 | 0 | F10 | 95701-06025-08 | 0 | E02 | 96100-63020-00 | 0 | E01 |
| 95002-02080 | 0 | F24 | 95701-06040-08 | 0 | E02 | 96100-63020-00 | 0 | E07 |
| 95002-02100 | 0 | F10 | 95701-08012-08 | 0 | E01 | 96100-63040-00 | 1 | E01 |
| 95002-02100 | 0 | F21 | 95701-08012-08 | 0 | F20 | 96150-62040-10 | 0 | F16 |
| 95002-02130 | 0 | F10 | 95701-08025-08 | 0 | F19 | 96211-05000 | 0 | F06 |
| 95002-02130 | 0 | F13 | 95701-08035-08 | 0 | E07 | 96211-08000 | 0 | F06 |
| 95002-02130 | 0 | F24 | 95701-08050-08 | 0 | F20 | 96220-20118 | 0 | E03 |
| 95002-02150 | 0 | F13 | 95801-08030-08 | 0 | E07 | 96600-08015-10 | 1 | E06 |
| 95002-41200-08 | 0 | F24 | 95801-08040-08 | 0 | F06 | 96600-KKC4-900 | 0 | F08 |
| 95002-50000 | 0 | F02 | 95801-08042-06 | 0 | F14 | | | |
| 95002-70000 | 0 | F21 | 95801-10025-08 | 0 | F15 | | | |
| 95002-KGN7-910 | 1 | E04 | 95801-10035-08 | 0 | F16 | 98000 | | |
| 95002-KGN7-910 | 1 | F21 | 95801-10070-06 | 1 | F14 | | | |
| 95002-KHE7-900 | 0 | E02 | | | | 98069-5791R-00 | 0 | E02 |
| 95002-KHE7-900 | 0 | E04 | | | | 98200-31000 | 1 | F11 |
| 95002-KHE7-900 | 0 | F21 | 96000 | | | 98200-31000 | 1 | F19 |
| 95003-23031-60 | 0 | F13 | | | | 98200-31500 | 0 | F11 |
| 95005-80025-20 | 0 | F10 | 96001-06008-07 | 0 | F14 | 98200-31500 | 0 | F19 |
| 9500B-KBE2-700 | 0 | F23 | 96001-06010-08 | 0 | E04 | 98200-33000 | 0 | F11 |
| 95014-71202 | 0 | F15 | 96001-06010-08 | 0 | F14 | 98200-33000 | 0 | F19 |
| 95014-72204 | 0 | F15 | 96001-06012-08 | 0 | E06 | | | |
| 95701-06012-08 | 0 | F01 | 96001-06012-08 | 0 | E06 | | | |
| 95701-06012-08 | 0 | F04 | 96001-06014-08 | 0 | F10 | | | |
| 95701-06012-08 | 0 | F06 | 96001-06016-08 | 0 | E01 | 99000 | | |
| 95701-06012-08 | 0 | F10 | 96001-06018-02 | 0 | E04 | | | |
| 95701-06012-08 | 0 | F11 | 96001-06018-08 | 0 | E02 | 99101-116-1020 | 0 | E08 |
| 95701-06012-08 | 0 | F12 | 96001-06022-06 | 1 | F04 | | | |
| 95701-06012-08 | 0 | F18 | 96001-06022-08 | 0 | E04 | | | |
| 95701-06012-08 | 0 | F20 | 96001-06028-08 | 0 | E04 | K | | |
| 95701-06012-08 | 0 | F21 | 96001-06028-08 | 0 | E06 | | | |
| 95701-06014-08 | 0 | F19 | 96001-06032-08 | 0 | E01 | K785-KKC-0200 | 0 | E08 |
| 95701-06014-08 | 0 | F10 | 96001-06045-08 | 0 | E04 | | | |
| 95701-06016-02 | 0 | E01 | 96001-06050-08 | 0 | E01 | | | |
| | | | 96001-06100-08 | 0 | E02 | | | |

零件號碼索引

PART NO. INDEX

| 零件號碼 PART NO. | 版數 VERSION | 頁次 PAGE | 零件號碼 PART NO. | 版數 VERSION | 頁次 PAGE | 零件號碼 PART NO. | 版數 VERSION | 頁次 PAGE |
|------------------|---------------|------------|------------------|---------------|------------|------------------|---------------|------------|
| N | | | | | | | | |
| N350-51K00 | 0 | E08 | | | | | | |
| N413-17E00 | 0 | E08 | | | | | | |
| N424-51B38 | 0 | E08 | | | | | | |
| N425-7AG01 | 0 | E08 | | | | | | |
| N426-33B00 | 0 | E08 | | | | | | |
| N446-12C00 | 0 | E08 | | | | | | |
| W | | | | | | | | |
| W1448-006-9900 | 0 | E08 | | | | | | |
| W1470-MW0-7500 | 0 | E08 | | | | | | |
| W1711-518-9902 | 0 | E08 | | | | | | |
| W9201-04090 | 0 | E08 | | | | | | |
| W9353-36000 | 0 | E08 | | | | | | |
| W9525-25250 | 0 | E08 | | | | | | |
| W9535-35000 | 0 | E08 | | | | | | |