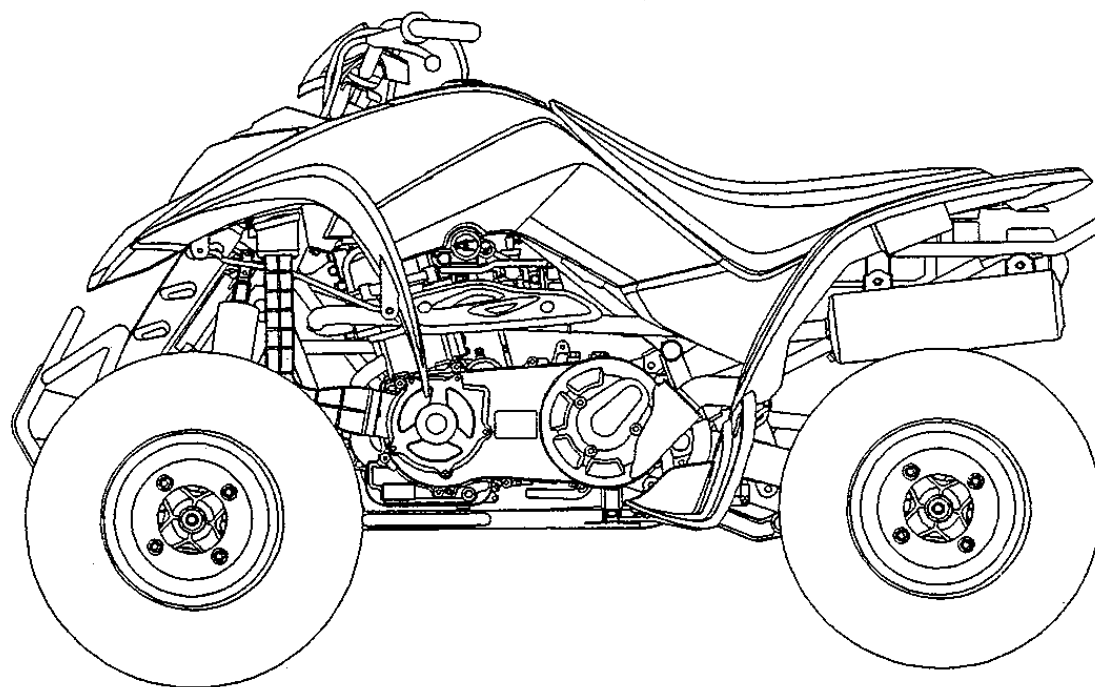




零件型錄  
PARTS CATALOGUE

LA60EA(US):JUN/27/07



---

光陽機車 KYMCO 光陽機車 KYMCO 光陽機車 KYMCO

---

# 前 言

本零件目錄適用於 LA60EA(US)機種，訂購零件時，請參照本冊。

本冊之配色表僅供參考，若與實車不符之處，以實車為準。

販賣記號(Sales mark)：

- 1.註明“\*\*”記號，表示訂購該零件時，請參照機車相片及配色表，並請在基本零件號碼最後加上色碼。

本冊付梓印刷倉促，倘有錯誤或遺漏之處，敬請不吝賜教指正。

## ABOUT THIS PARTS LIST

**This parts list is compiled all service parts for model LA60EA(US) .**

**Any difference between color chart and motorcycle will be revised according to motorcycle .**

**The sales mark :**

- 1.marking” \*\* “must add color code in the end before ordering parts .

**When modification or additions to this parts list are made a revised edition at an appropriate time .**

## 目 次

前 言 . . . . .	1
LA60EA(US)配色表 . . . . .	5
引擎分組圖 . . . . .	7
車架分組圖 . . . . .	9
引擎零件號碼表 . . . . .	13
車架零件號碼表 . . . . .	57
零件號碼索引 . . . . .	135

## CONTENTS

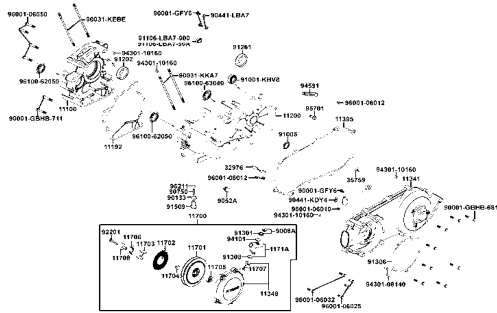
ABOUT THIS PARTS LIST . . . . .	1
COLOR CHART OF LA60EA(US) . . . . .	5
CONTENTS-ENGINE GROUP . . . . .	7
CONTENTS-FRAME GROUP . . . . .	9
ENGINE PARTS LIST . . . . .	13
FRAME PARTS LIST . . . . .	57
PART NO. INDEX . . . . .	135

項次 NO	機種名稱 (MODEL)			LA60EA(US) COLOR CHART					
	相片號碼 (PHOTO NO)			NO.1	NO.2	NO.3	NO.4	NO.5	NO.6
	主體色 (BASIC COLOR)			紅	黑	深綠	黃	藍	土黃
	色碼 (CODE)			RR338SA	NH001SA	GG345SA	YR159SA	PB089SA	YR160SA
色別零件名稱(PARTS NAME)		基本零件號碼(PARTS NO)	版數(VERSION)	Red	Black	Deep Green	Yellow	Blue	Ochre Yellow
1	FENDER FRONT	60100-LCA5-E00	7	E4R	N1R	GWR	YNR	C3R	YSR
2	FENDER REAR	80100-LCA5-E00	8	E4R	N1R	GWR	YNR	C3R	YSR
3	MOLDING RR FENDER	80200-LCA5-E00	4	E4R	N1R	GWR	YNR	C3R	YSR
4	COVER BATTERY	80300-LCA5-E00	1	E4R	N1R	GWR	YNR	C3R	YSR
5	COVER COMP R CRANK CASE	11330-LDE9-E00	2	M3A	M3A	M3A	M3A	M3A	M3A
6	LEVER L STRG HNDL	53178-KFC8-E10	0	M2A	M2A	M2A	M2A	M2A	M2A
7	COVER LEFT	11341-LBA7-900	7	N8A	N8A	N8A	N8A	N8A	N8A
8	CUSHION ASSY FR	51400-PWA1-900	4	N1S	N1S	N1S	N1S	N1S	N1S
9	CUSHION ASSY RR	52400-PWA1-900	4	N1S	N1S	N1S	N1S	N1S	N1S
10	HNDL PIPE STRG	53100-LCA5-900	1	N1S	N1S	N1S	N1S	N1S	N1S
11	STRIPE R FENDER FRONT	86523-LCA5-E61	4	T01	T02	T03	T04	T05	T06
12	STRIPE L FENDER FRONT	86533-LCA5-E61	4	T01	T02	T03	T04	T05	T06
13	STRIPE R SIDE COVER	86623-LDE9-E61	2	T01	T02	T03	T04	T05	T06
14	STRIPE L SIDE COVER	86633-LDE9-E61	2	T01	T02	T03	T04	T05	T06
15	STRIPE KYMCO	87532-LBE8-900	2	T03	T03	T03	T03	T03	T03
16	STRIPE K-LOGO 60MM	87532-LCA5-900	1	T03	T03	T03	T03	T03	T02
17	SEAR ASSY	77200-LCA5-E00	1	T01	T01	T01	T01	T01	T01
18	EMB K-LOGO 30MM	86102-LCA5-900	1	T01	T01	T01	T01	T01	T01
19	CAUTION SHIFT GEARS	87322-LBA7-E00	2	T01	T01	T01	T01	T01	T01
20	LABEL TIRE OFF ROAD	87505-LCA5-E00	3	T01	T01	T01	T01	T01	T01
21	CAUTION MAXIMUM CAPACITY	87514-LDE9-E00	1	T01	T01	T01	T01	T01	T01
22	CAUTION LIST ON ROAD	87515-LBA7-E00	1	T01	T01	T01	T01	T01	T01
23	CAUTION DRIVE AGE	87517-LBA7-E00	2	T01	T01	T01	T01	T01	T01
24	USA EPA HANG TAG	87522-LDE9-M30	0	T01	T01	T01	T01	T01	T01
25	MARK DRIVE CAUTION	87560-LBA7-E00	1	T01	T01	T01	T01	T01	T01
26	LABEL MIT	87571-LCA5-M30	1	T01	T01	T01	T01	T01	T01
27	RIM COMP RR WHEEL	42705-LCA5-E00	4	NJS	NJS	NJS	NJS	NJS	N1S
28	RIM COMP FR WHEEL	44705-LCA5-E00	3	NJS	NJS	NJS	NJS	NJS	N1S
29	DUCT COOLING AIR	19102-LCA5-E00	2	N1R	N1R	N1R	N1R	N1R	N1R
30	GUIDE COVER CHANGE HNDL	60120-LCD9-E00	5	N1R	N1R	N1R	N1R	N1R	N1R
31	COVER FRONT	64301-LCA5-E00	2	N1R	N1R	N1R	N1R	N1R	N1R
32	BUMPER FR	64302-LCA5-E00	4	N1R	N1R	N1R	N1R	N1R	N1R
33	GRILL R FENDER	64303-LCA5-E00	2	N1R	N1R	N1R	N1R	N1R	N1R
34	GRILL L FENDER	64304-LCA5-E00	2	N1R	N1R	N1R	N1R	N1R	N1R
35	MUDGUARD R FLOOR	80121-LCA5-E00	4	N1R	N1R	N1R	N1R	N1R	N1R
36	MUDGUARD L FLOOR	80122-LCA5-E00	4	N1R	N1R	N1R	N1R	N1R	N1R
37	COVER R SIDE	83500-LCA5-E00	6	N1R	N1R	N1R	N1R	N1R	N1R
38	COVER ASSY L SIDE	8360A-LCA5-E00	3	N1R	N1R	N1R	N1R	N1R	N1R
39	COVER HANDLE	53205-LCA5-E00	3	N1R	N1R	N1R	N1R	N1R	N1R
40	COVER TANK	17700-LCA5-E00	3	N1R	N1R	N1R	N1R	N1R	N1R
41	CALIPER ASSY RR	43100-PWA1-900	3	NJA	NJA	NJA	NJA	NJA	NJA
42	CALIPER ASSY FR R	45100-LBA7-900	3	NJA	NJA	NJA	NJA	NJA	NJA
43	CALIPER ASSY FR L	45200-LBA7-900	3	NJA	NJA	NJA	NJA	NJA	NJA
44	ARM ASSY R UP SWING	53400-PWA2-900	3	MAS	MAS	MAS	MAS	MAS	MAS
45	ARM ASSY R LOW SWING	53450-LCD9-E00	1	MAS	MAS	MAS	MAS	MAS	MAS
46	ARM ASSY L UP SWING	53500-PWA2-900	3	MAS	MAS	MAS	MAS	MAS	MAS
生產日期 (DATE OF STARTING-SALES)				2007.06.26	2007.06.26	2007.06.26	2007.06.26	2007.06.26	2007.06.26
停產日期 (DATE OF ENDING-SALES)									

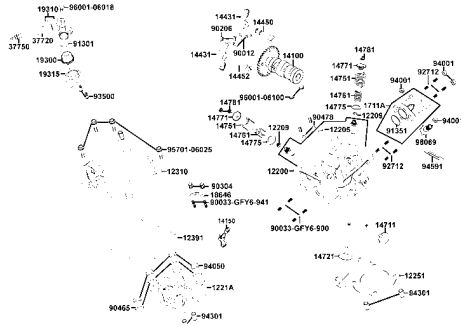
項次 NO	機種名稱 (MODEL)			LA60EA(US) COLOR CHART					
	相片號碼 (PHOTO NO)			NO.1	NO.2	NO.3	NO.4	NO.5	NO.6
	主體色 (BASIC COLOR)			紅	黑	深綠	黃	藍	土黃
	色碼 (CODE)			RR338SA	NH001SA	GG345SA	YR159SA	PB089SA	YR160SA
色別零件名稱(PARTS NAME)	基本零件號碼(PARTS NO)	版數(VERSION)	Red	Black	Deep Green	Ochre Yellow	Blue	Ochre Yellow	
47	ARM ASSY L LOW SWING	53550-LCD9-E00	1	MAS	MAS	MAS	MAS	MAS	MAS
48	RR CARRIER LUGGAGE	77330-LCA5-E00	7	MAS	MAS	MAS	MAS	MAS	MAS
49	FR CARRIER LUGGAGE	77430-LCA5-E00	4	MAS	MAS	MAS	MAS	MAS	MAS
50	PIPE COMP FR BUMPER	85100-LCA5-E00	4	MAS	MAS	MAS	MAS	MAS	MAS
生產日期 (DATE OF STARTING-SALES)				2007.06.26	2007.06.26	2007.06.26	2007.06.26	2007.06.26	2007.06.26
停產日期 (DATE OF ENDING-SALES)									

# CONTENTS-ENGINE GROUP

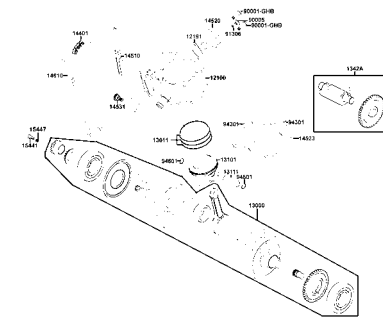
## E 01 Crank Case



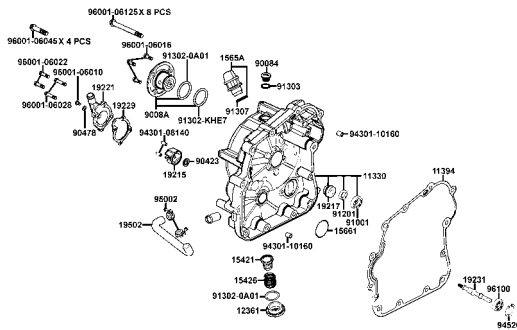
## E 02 Cylinder Head Cover Cylinder Head



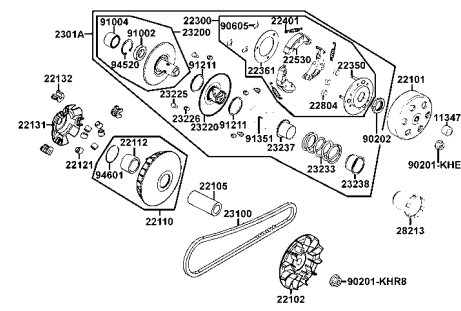
## E 03 Cylinder Piston Crankshaft



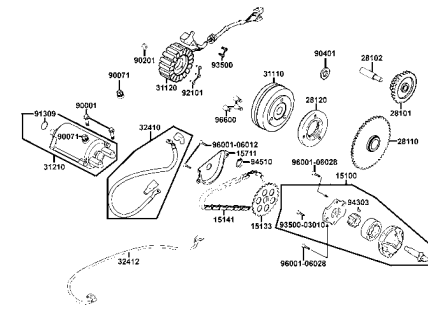
## E 04 Right Crankcase Cover Water Pump



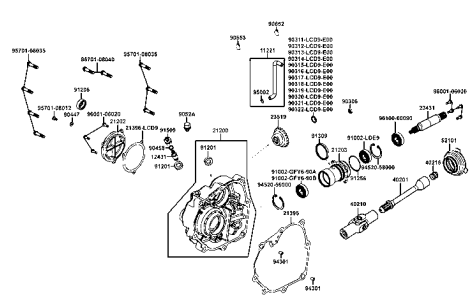
## E 05 Drive Pulley



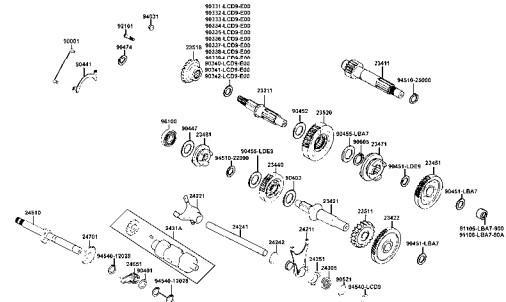
## E 06 Starting Motor Generator



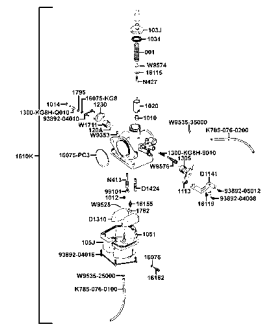
## E 07 Case Comp Mission



## E 08 Transmission



## E 09 Carburetor



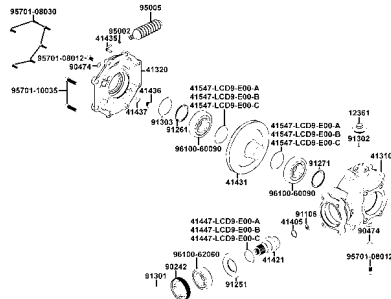




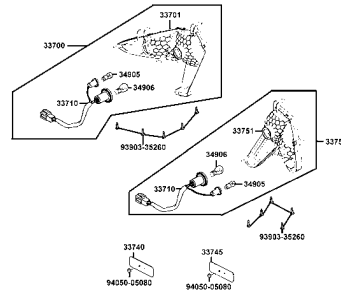


# CONTENTS-FRAME GROUP

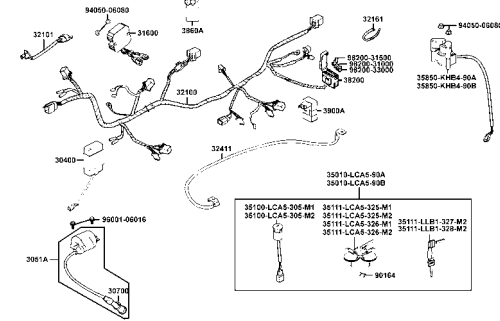
## F19 Side Case Rr Final



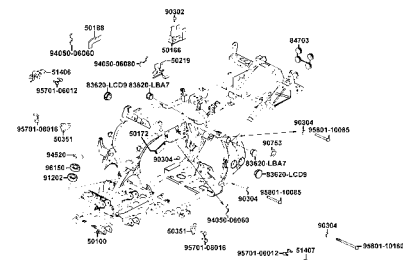
## F20 Light Tail



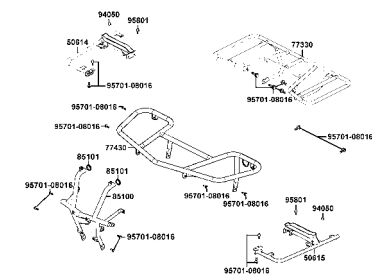
## F21 Harness Wire



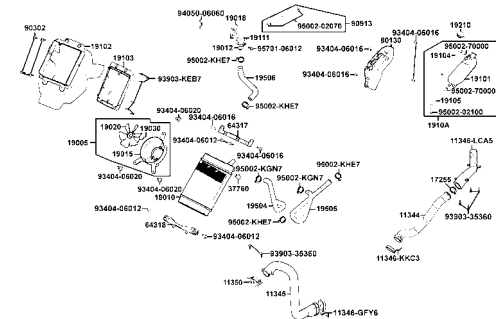
## F22 Frame Body



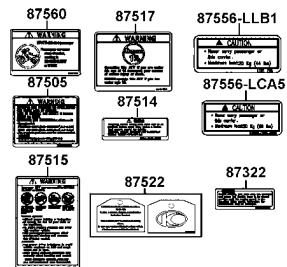
## F23 Carrier Luggage



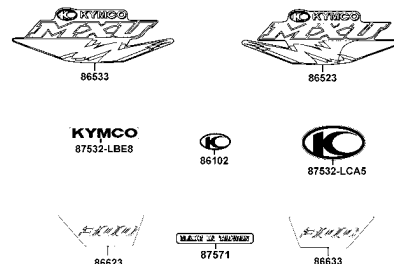
## F24 Radiator

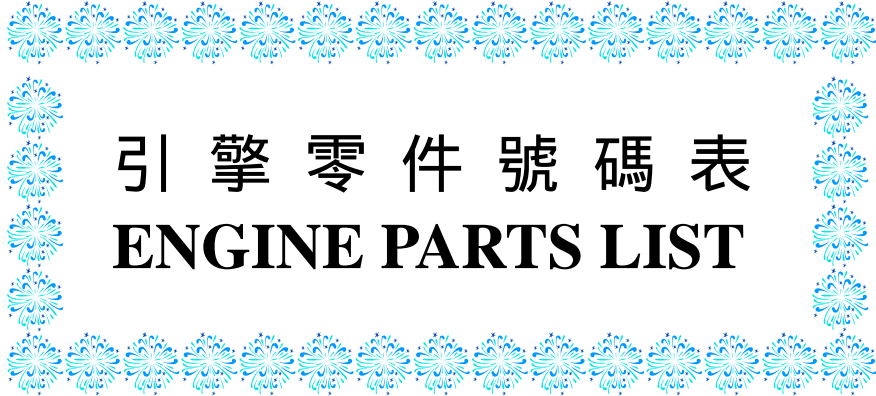


## F25 Caution Label



## F26 Emblem Stripe

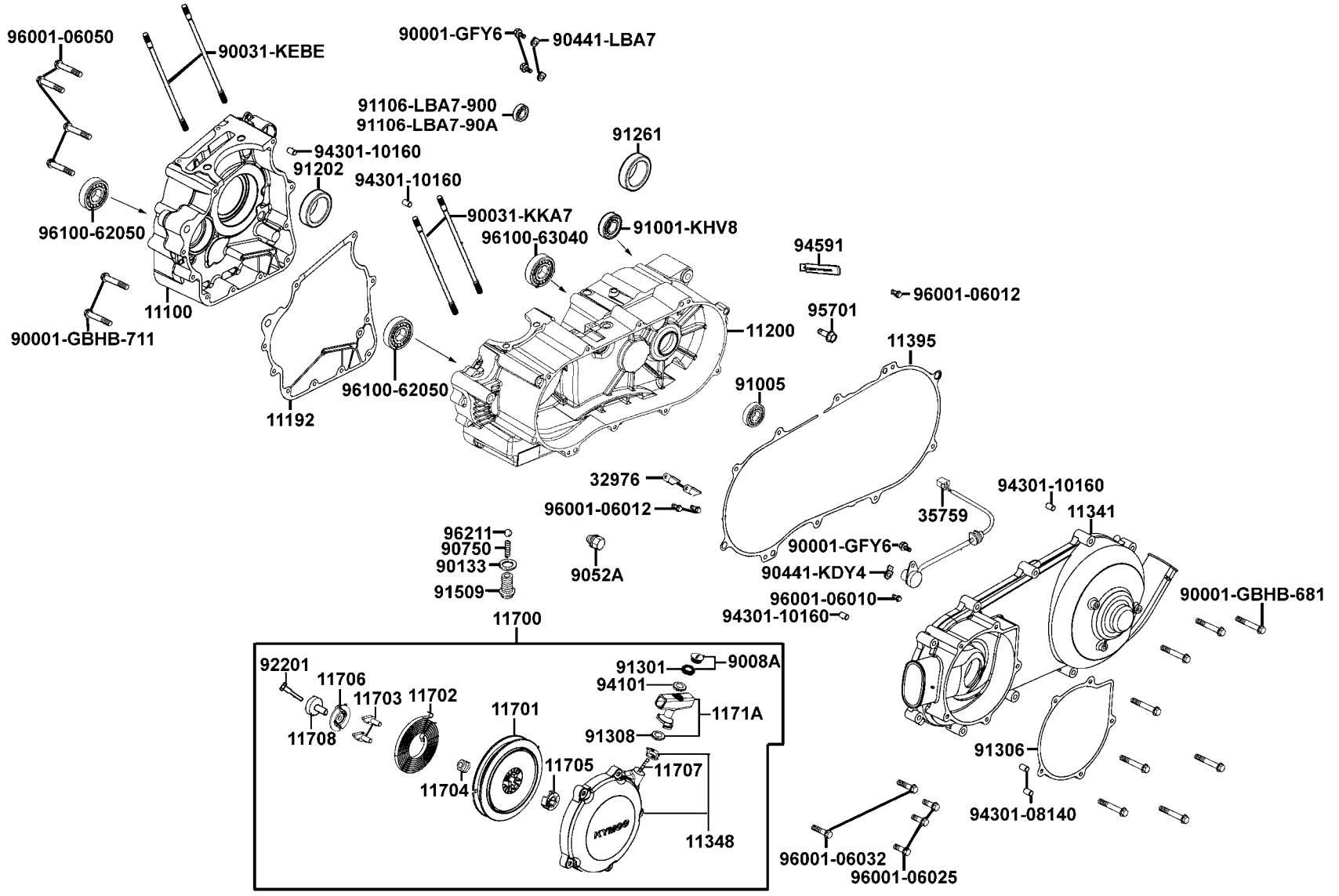




引擎零件號碼表  
**ENGINE PARTS LIST**

# E 01

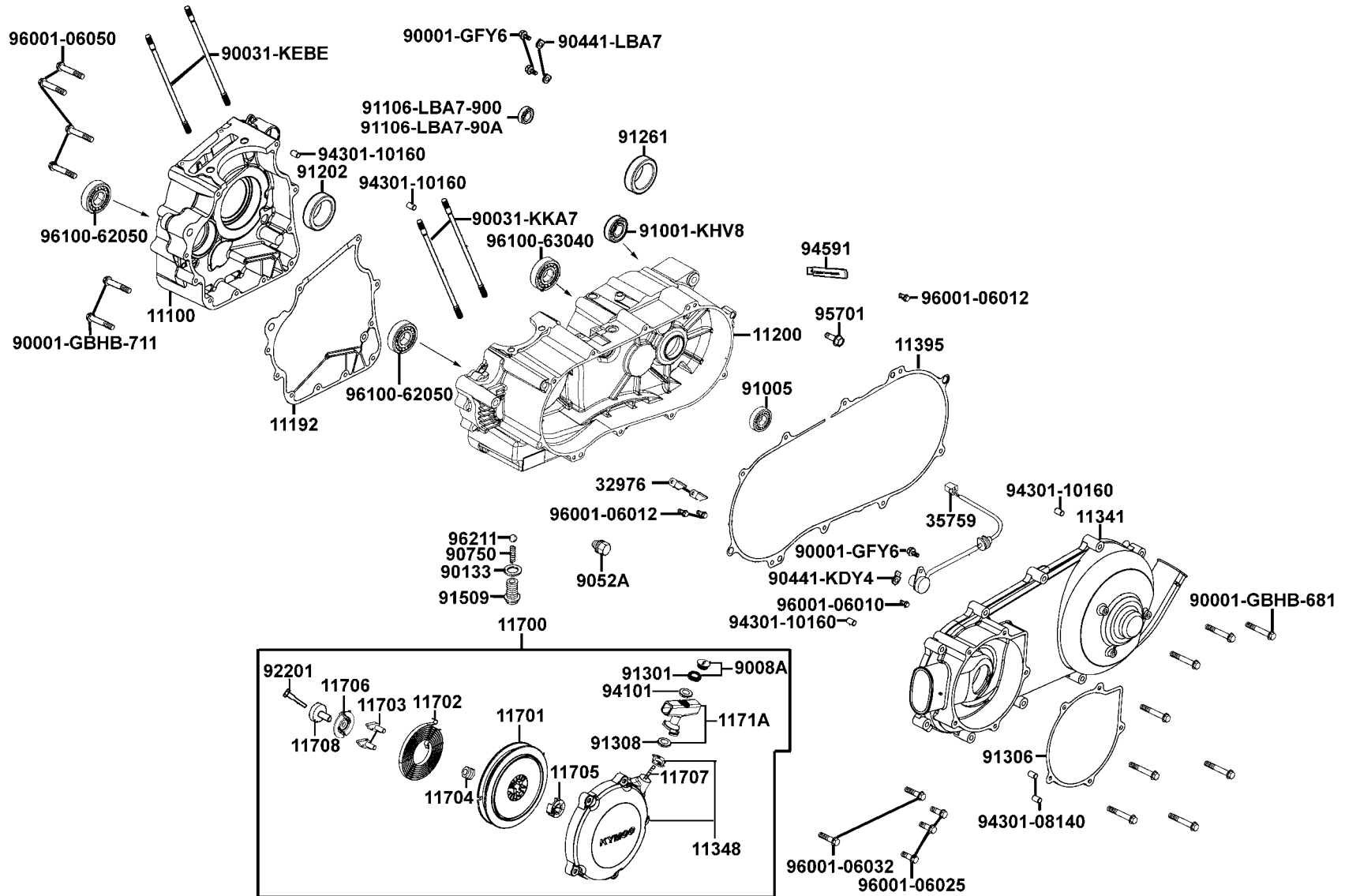
# Crank Case



販賣記號 Sales mark	項目 Ref no	零件號碼 Part no	版數 Ver	英文名稱 Description	中文名稱 Chinese	需要用量 Regd no	建議售價 Ref Price
		11100-LDE9-E00	1	CRANK CASE COMP R	右曲軸箱	1	
		11192-LBA7-900	4	GASKET CRANK CASE @A	曲軸箱墊片 A	1	
		11200-LCD9-E00	2	CRANK CASE COMP L	左曲軸箱	1	
**		11341-LBA7-900	7	COVER LEFT	左曲軸箱蓋	1	
		11348-LCA5-E00	5	COVER STARTING	外盤蓋	1	
		11395-LBA7-900	1	GASKET L COVER	左曲軸箱蓋墊片	1	
		11700-LDE9-E00	0	RECOIL STARTING	手拉起動轉盤	1	
		11701-LCA5-E00	4	REEL STARTING	捲線蓋	1	
		11702-LCA5-E00	1	SPIRAL SPG STARTING	扭力彈簧	1	
		11703-LCA5-E00	4	RACHET STARTING	內盤滑塊	2	
		11704-LCA5-E00	1	SPRING RACHET GUIDE	壓縮	1	
		11705-LCA5-E00	3	SPACER STARTING	間隔塊	1	
		11706-LCA5-E00	1	RACHET GUIDE STARTING	內箱蓋	1	
		11707-LCA5-E00	1	ROPE STARTING	拉繩	1	
		11708-LCA5-E00	1	COLLAR	套筒	1	
		1171A-LCA5-E00	4	HOLDER ASSY STARTING	起動拉柄	1	
		32976-1G07-001	0	CLAMPER WIRE HARNESS	配線固定夾	2	
		35759-LCD9-E00	4	SW ASSY GEAR CHANGE	檔位燈變換開關組	1	
		90001-GBHB-681	0	BOLT FLANGE SHF 6*28	螺絲 6*28	8	
		90001-GBHB-711	0	BOLT FLANGE SHF 6*40	螺絲 6*40	2	

# E 01

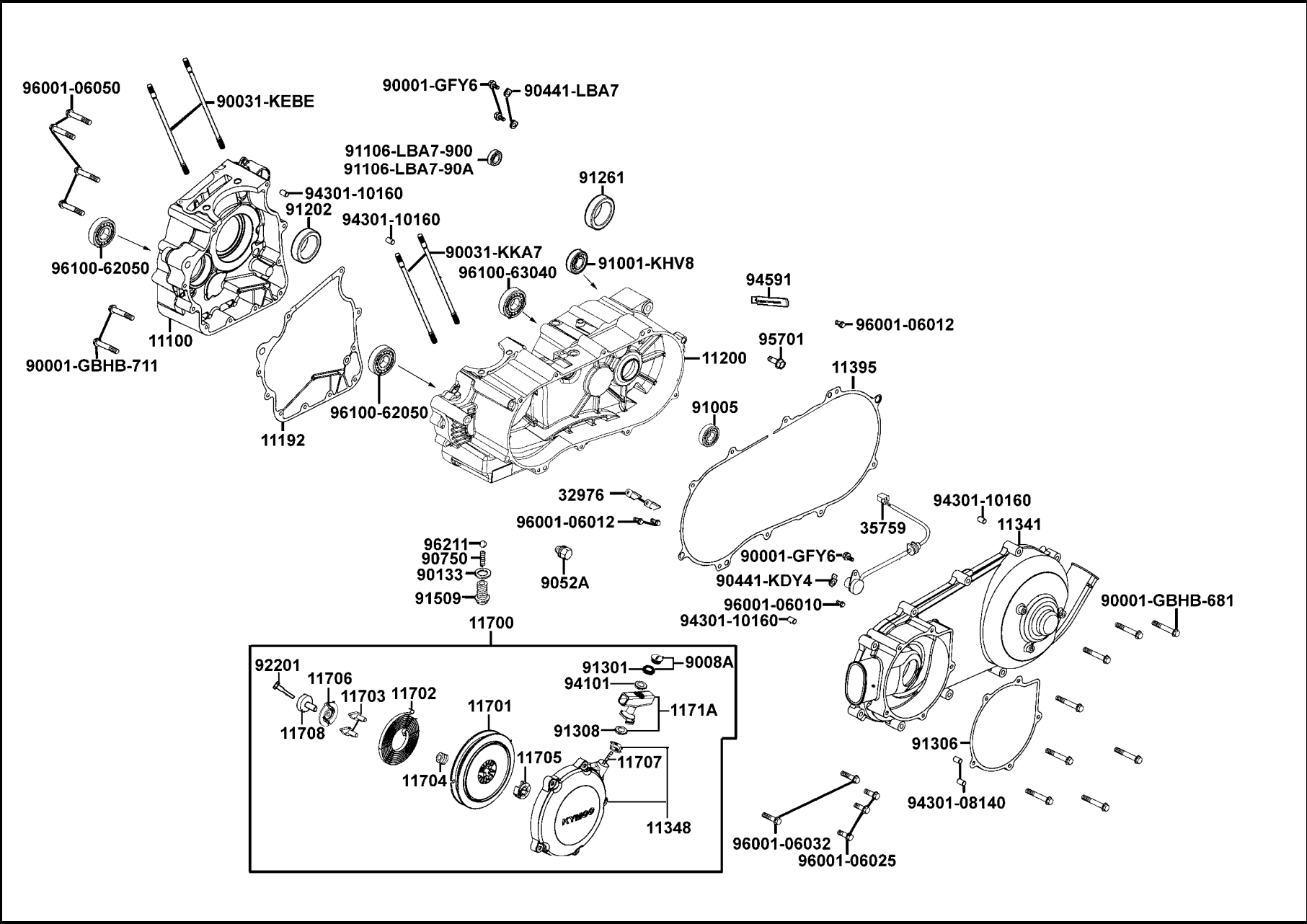
# Crank Case



販賣記號 Sales mark	項目 Ref no	零件號碼 Part no	版數 Ver	英文名稱 Description	中文名稱 Chinese	需要用量 Regd no	建議售價 Ref Price
		90001-GFY6-901	1	SOCKET BOLT 6*10	螺絲 6*10	3	
		90031-KEBE-900	0	BOLT A STUD 8MM	雙頭螺絲 8MM	2	
		90031-KKA7-900	0	BOLT B STUD 8MM	雙頭螺絲 8MM	2	
		9008A-LCA5-E00	1	COVER ASSY HOLDER	拉把小蓋	1	
		90133-LLB1-900	1	WASHER BOLT SEAT	華司	1	
		90441-KDY4-901	0	PLATE BRG HOLD	華司	1	
		90441-LBA7-900	2	PLATE BRG HOLD	華司	2	
		9052A-GFY6-950	1	BOLT ASSY DRAIN PLUG	洩油螺絲	1	
		90750-LLB1-900	2	SPRING BOLT SEAT INNER	彈簧螺絲	1	
		91001-KHV8-004	0	BRG BALL RADIAL 6305	軸承 6305	1	
		91005-LBA7-900	1	BEARING BALL RADIAL 6005LLU	軸承 6005	1	
		91106-LBA7-900	1	BRG NEEDLE 20*26*16	滾針軸承 20*26*16	1	
		91106-LBA7-90A	0	BRG NEEDLE 20*26*16	滾針軸承 20*26*16	1	
		91202-KKC4-900	0	OIL SEAL 27*42*7	油封 27*42*7	1	
		91261-4E15-004	0	OIL SEAL 25*40*8	油封 25*40*8	1	
		91301-KHE7-900	0	O-RING 17.8*1.9	O環 17.8*1.9	1	
		91306-LBA7-900	2	GASKET STARTING COVER	起動蓋墊片	1	
		91308-LCA5-E00	1	O-RING 18.1*3	O環 18.1*3	1	
		91509-LLB1-900	2	BOLT SEAT BALL STOPPER	螺絲	1	
		92201-05025-0H	0	BOLT HEX 5*25	螺絲 5*25	1	

# E 01

# Crank Case

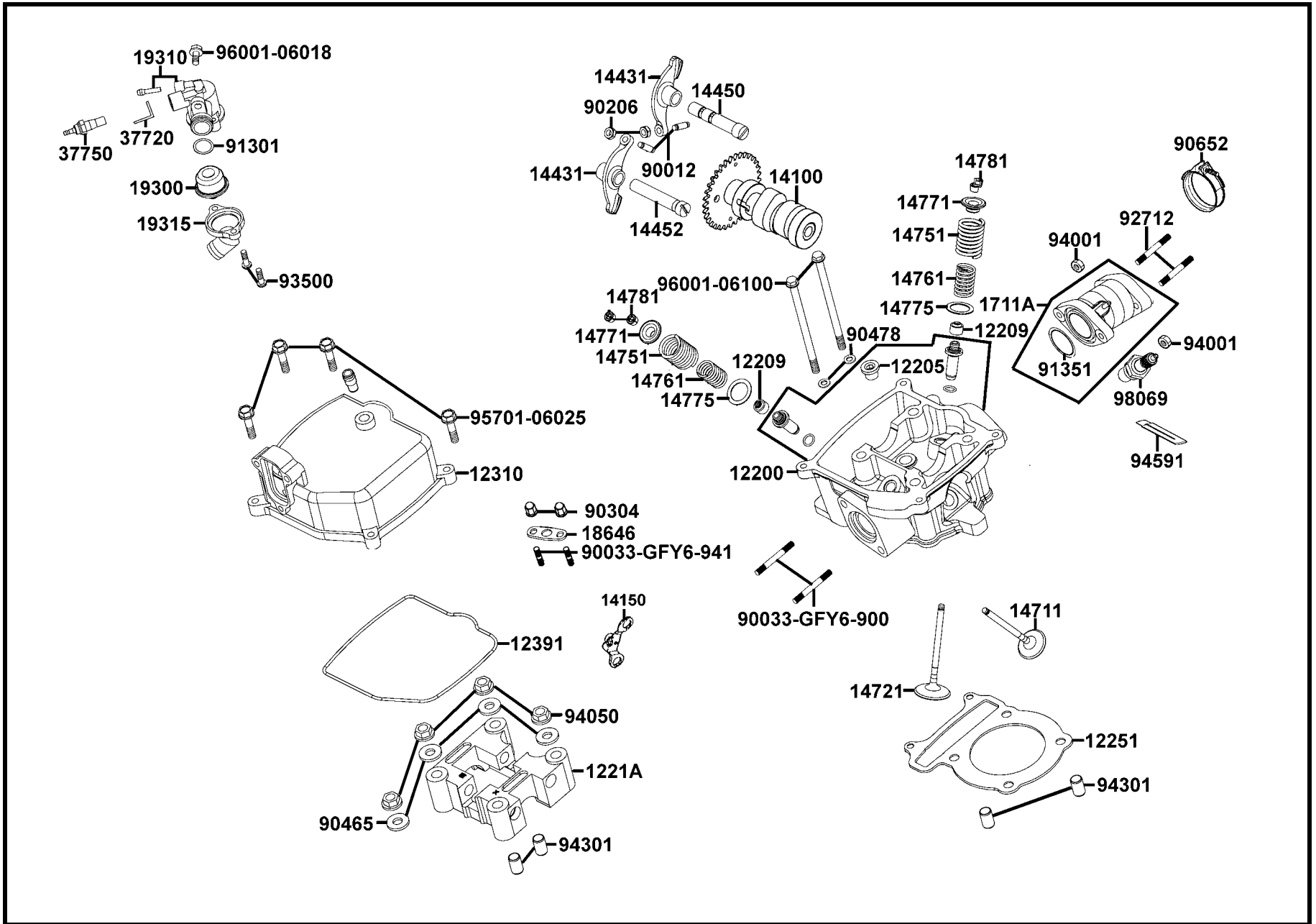


販賣記號 Sales mark	項目 Ref no	零件號碼 Part no	版數 Ver	英文名稱 Description	中文名稱 Chinese	需要用量 Regd no	建議售價 Ref Price
		94101-LCA5-E00	0	WASHER PLAIN 6MM	華司 6MM	1	
		94301-08140	0	DOWEL PIN 8*14	定位銷 8*14	2	
		94301-10160	0	DOWEL PIN 10*16	定位銷 10*16	4	
		94591-LLB1-900	0	CLIP 2*100	夾子 2*100	1	
		95701-08012-08	0	BOLT FLANGE 8*12	螺絲 8*12	1	
		96001-06010-08	0	BOLT FLANGE SH 6*10	螺絲 6*10	1	
		96001-06012-08	0	BOLT FLANGE SH 6*12	螺絲 6*12	3	
		96001-06025-08	0	BOLT FLANGE SH 6*25	螺絲 6*25	3	
		96001-06032-08	0	BOLT FLANGE SH 6*32	螺絲 6*32	2	
		96001-06050-08	0	BOLT FLANGE SH 6*50	螺絲 6*50	4	
		96100-62050-00	2	BRG BALL RADIAL 6205	軸承 6205	2	
		96100-63040-00	1	BRG BALL RADIAL 6304	軸承 6304	1	
		96211-12000	0	BALL STEEL 12	鋼珠 12MM	1	



# E 02

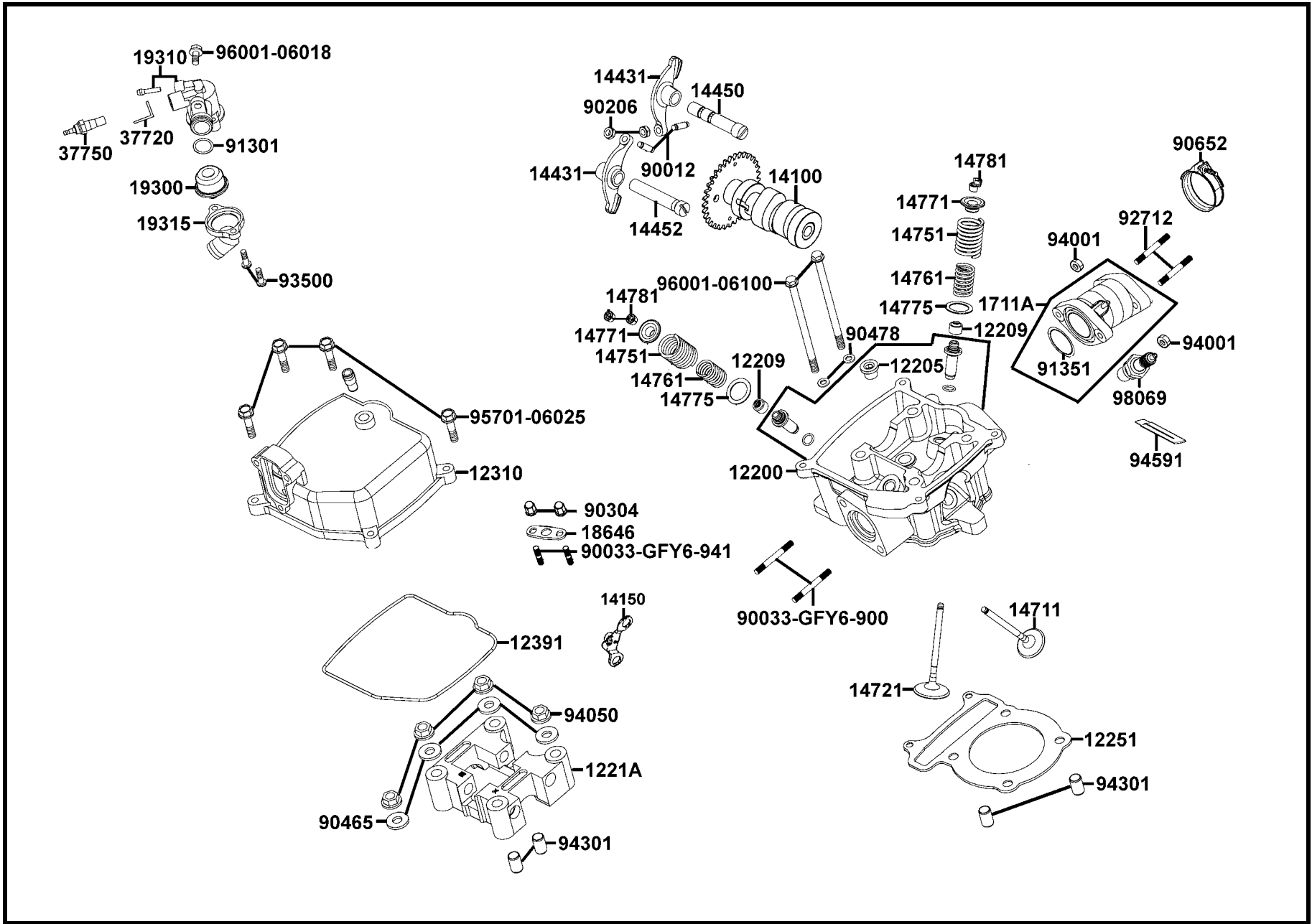
# Cylinder Head Cover Cylinder Head



販賣記號 Sales mark	項目 Ref no	零件號碼 Part no	版數 Ver	英文名稱 Description	中文名稱 Chinese	需要用量 Regd no	建議售價 Ref Price
		12200-LDE9-900	1	HEAD COMP CYLN	汽缸頭	1	
		12205-KHE8-301	0	BOLT SEALING 12MM	封閉螺絲	1	
		12209-GDB4-68A	0	SEAL VALVE STEM	閥門徑封	2	
		1221A-LDB2-E00	3	HOLDER COMP CAM SHAFT	凸輪軸固定座	1	
		12251-KHE7-901	0	GASKET CYLINDER HEAD	汽缸頭墊片	1	
		12310-LDB2-E00	3	COVER COMP CYLN HEAD	汽缸頭蓋	1	
		12391-LDB2-E00	1	GASKET HEAD COVER	汽缸頭蓋墊片	1	
		14100-LDB2-E00	5	SHAFT COMP CAM	凸輪軸	1	
		14150-LDB2-E00	2	PLATE COMP STOPPER	止動版	1	
		14431-LDB2-E00	1	ARM VALVE ROCKER	門閥搖臂	2	
		14450-KEBE-900	0	SHAFT COMP IN ROCKER ARM	進氣閥搖臂軸	1	
		14452-LDB2-E00	1	SHAFT EX ROCKER	排氣閥搖臂軸	1	
		14711-LDB2-E00	2	VALVE INLET	進氣門閥	1	
		14721-LDB2-E00	2	VALVE EXHAUST	排氣門閥	1	
		14751-KHE7-900	0	SPG VALVE OUTER	門閥外彈簧	2	
		14761-KHE7-900	0	SPG VALVE INNER	門閥內彈簧	2	
		14771-GDB4-680	2	RETAINER VALVE SPRING	閥門彈簧定位器	2	
		14775-MFA6-001	0	SEAT VALVE SPG OUTER	閥門彈簧座	2	
		14781-MFA6-001	0	COTTER VALVE	閥門鎖扣	4	
		1711A-LEC1-900	1	PIPE ASSY INLET	進氣管	1	

# E 02

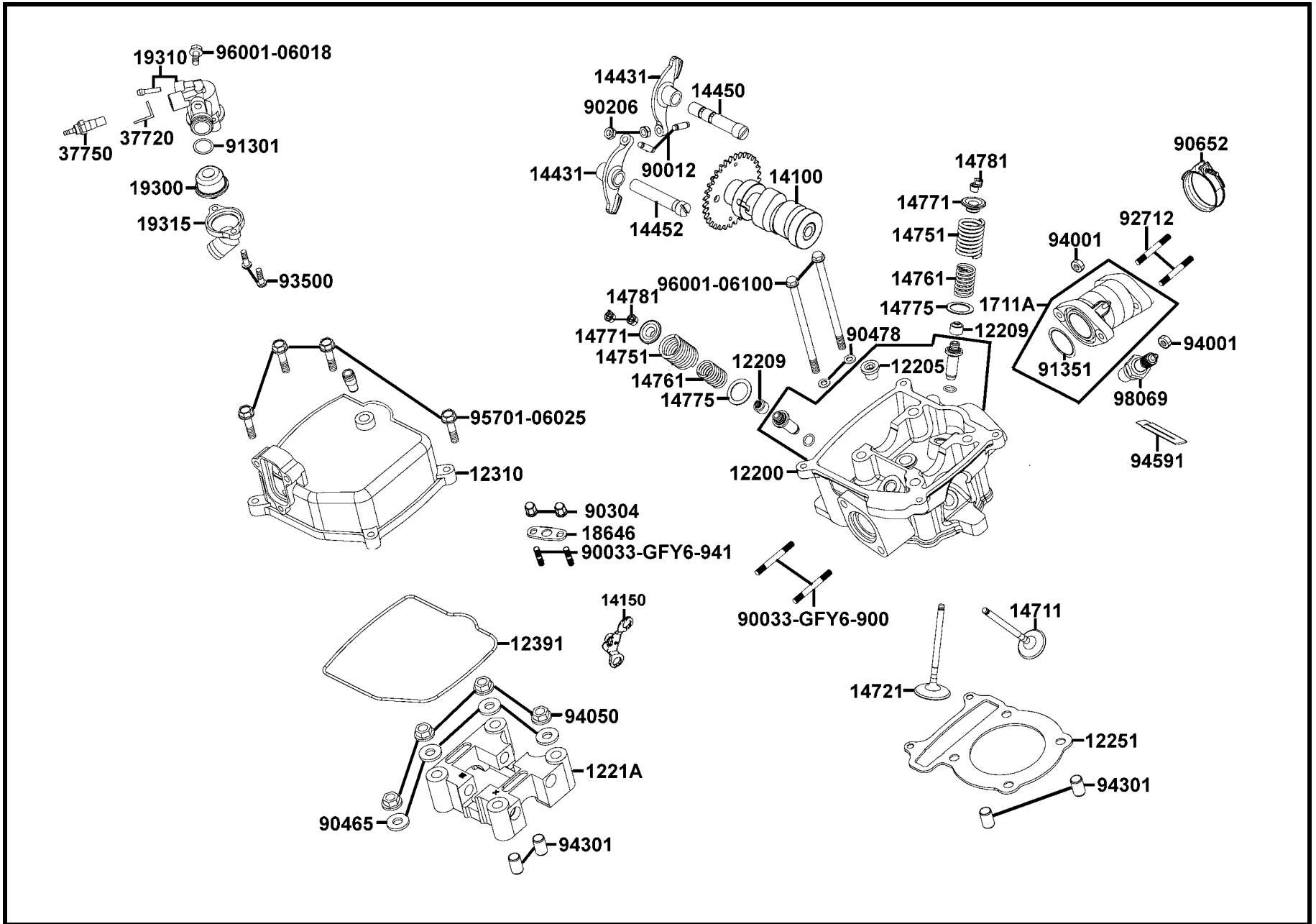
# Cylinder Head Cover Cylinder Head



販賣記號 Sales mark	項目 Ref no	零件號碼 Part no	版數 Ver	英文名稱 Description	中文名稱 Chinese	需要用量 Regd no	建議售價 Ref Price
		18646-GFY6-941	0	GASKET A/I PIPE	通氣管墊片	1	
		19300-KAE1-004	1	THERMOSTAT ASSY	恆溫器	1	
		19310-KHE7-900	1	CASE COMP THERMOSTAT	恆溫器室	1	
		19315-LBA7-900	1	COVER THERMOSTAT	恆溫器蓋	1	
		37720-KGB5-900	0	EARTH TERMINAL THERMO	恆溫器座	1	
		37750-PAC1-005	0	THERMO UNIT ASSY	自動控溫器	1	
		90012-3C33-001	0	SCREW TAPPET ADJUSTING	汽門間隙調整螺絲	2	
		90033-GFY6-900	0	BOLT STUD 8*32	雙頭螺絲 8*32	2	
		90033-GFY6-941	0	BOLT STUD 6*16	特殊螺絲 6*16	2	
		90206-0A01-001	1	NUT TAPPET ADJG	汽門間隙調整螺帽	2	
		90304-4H38-001	2	NUT HEX CAP 6MM	螺帽 6MM	2	
		90465-MDC4-001	0	WASHER 8MM	華司 8MM	4	
		90478-7L00-001	0	WASHER A 6MM	華司 6MM	2	
		90652-GFY6-901	1	BAND 49 AIR/C CONNECTING TUBE	管夾	1	
		91301-KHE7-900	0	O-RING 17.8*1.9	O環 17.8*1.9	1	
		91351-GAR1-001	0	O-RING 38.5*2	O環 38.5*2	1	
		92712-06028-0B	0	BOLT STUD 6*28	雙頭螺絲 6*28	2	
		93500-05016-0H	0	SCREW PAN 5*16	螺絲 5*16	2	
		94001-06080-0S	0	NUT HEX 6MM	螺絲 6MM	2	
		94050-08080	0	NUT FLANGE 8MM	螺帽 8MM	4	

# E 02

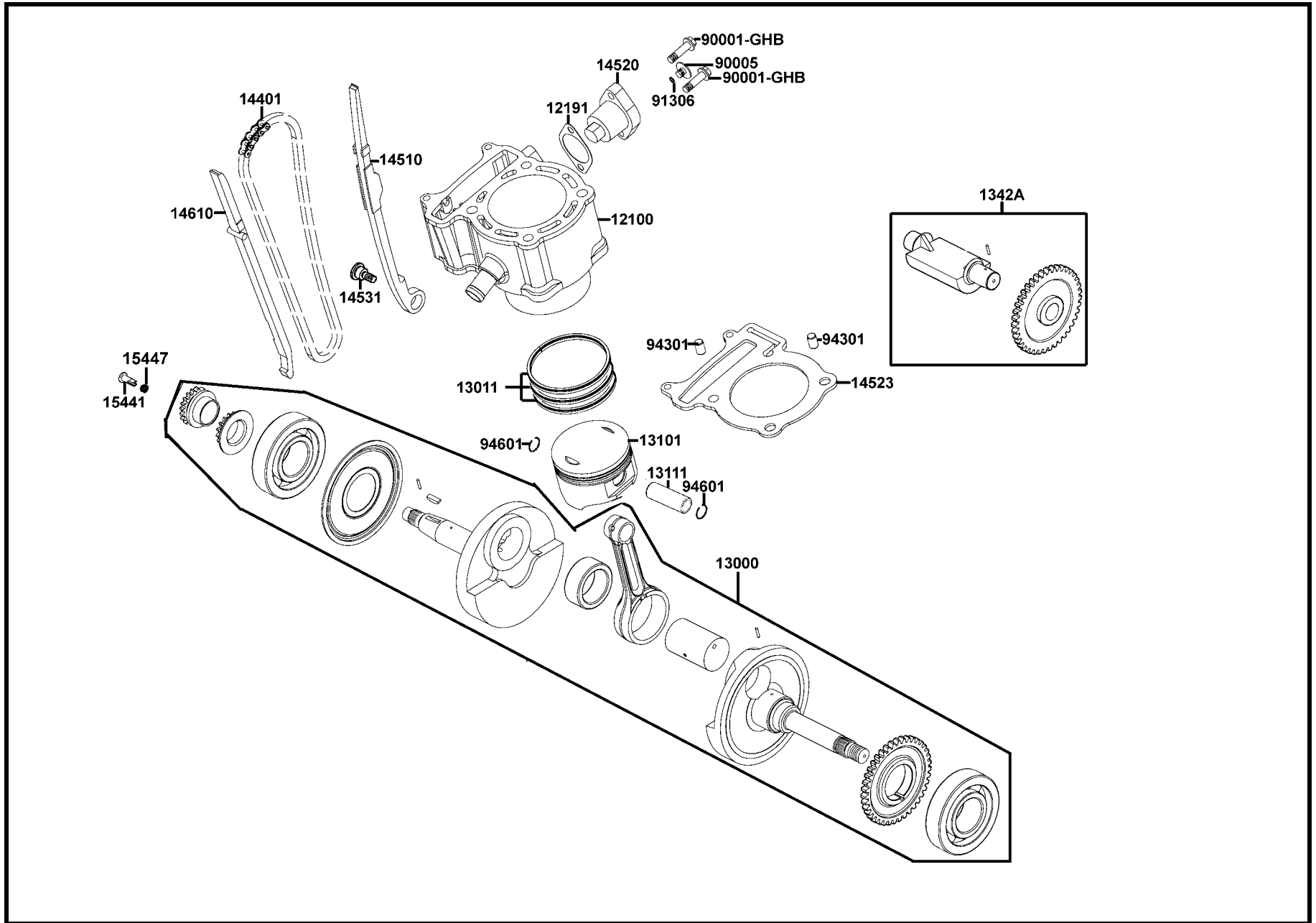
# Cylinder Head Cover Cylinder Head



販賣記號 Sales mark	項目 Ref no	零件號碼 Part no	版數 Ver	英文名稱 Description	中文名稱 Chinese	需要用量 Regd no	建議售價 Ref Price
		94301-10160	0	DOWEL PIN 10*16	定位銷 10*16	4	
		94591-KFBF-900	2	CLIP 2*71	夾子 2*71	1	
		95701-06025-08	0	BOLT FLANGE 6*25	螺絲 6*25	4	
		96001-06018-08	0	BOLT FLANGE SH 6*18	螺絲 6*18	1	
		96001-06110-08	0	BOLT FLANGE SH 6*110	螺絲 6*110	2	
		98069-5791R-00	0	SPARK PLUG DPR (7EA-9)	火星塞	1	

# E 03

# Cylinder Piston Crankshaft

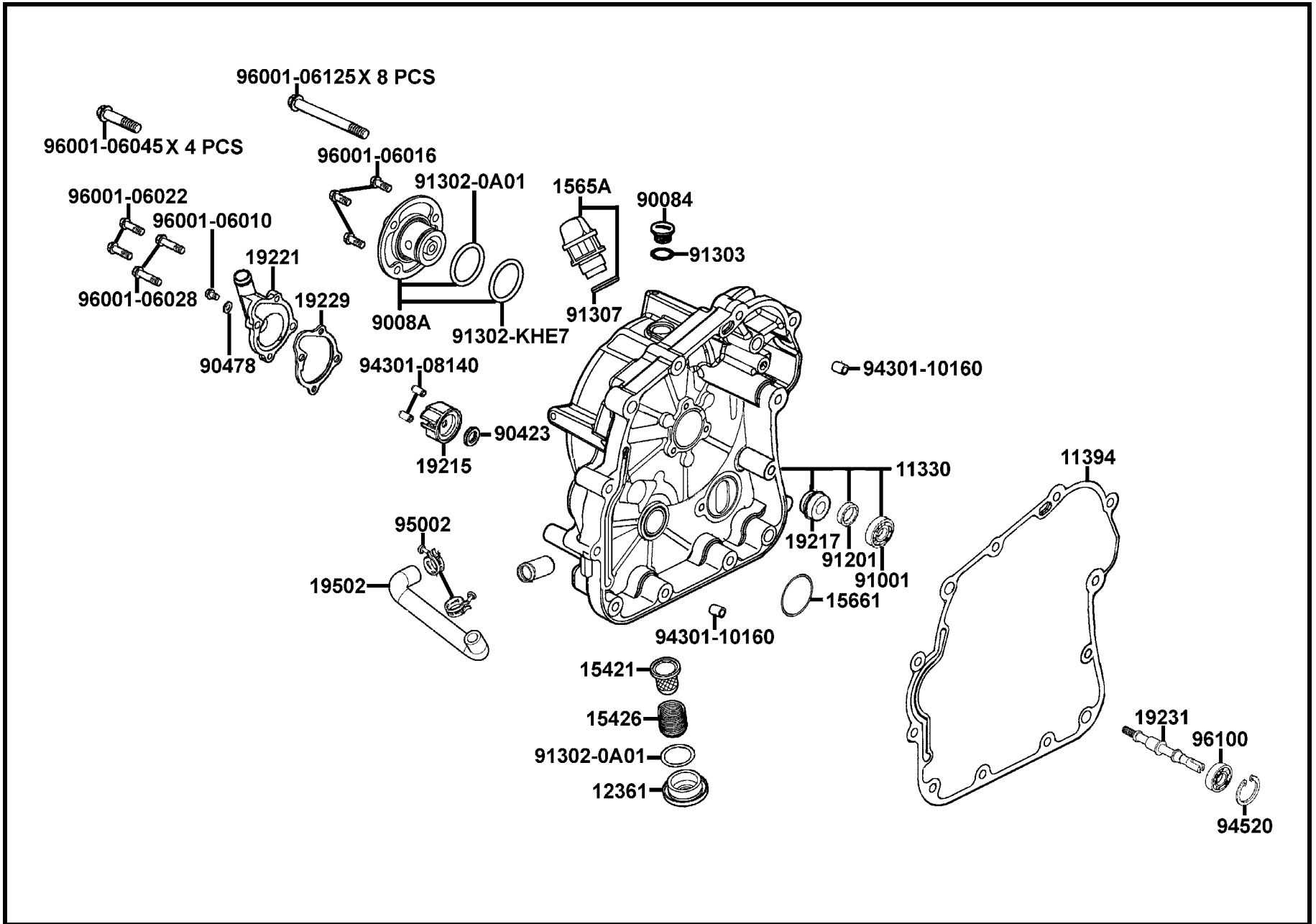


販賣記號 Sales mark	項目 Ref no	零件號碼 Part no	版數 Ver	英文名稱 Description	中文名稱 Chinese	需要用量 Regd no	建議售價 Ref Price
		12100-LDE9-E00	1	CYLINDER COMP	汽缸	1	
		12191-KHE7-910	0	GASKET CYLINDER	汽缸墊片	1	
		13000-LDE9-E00	5	CRANK SHAFT COMP	曲軸	1	
		13011-KHE7-900	0	RING SET PISTON	活塞環組	1	
		13101-LDB2-E00	4	PISTON	活塞	1	
		13111-LDB2-E00	1	PIN PISTON	活塞銷	1	
		1342A-LDE9-E00	2	SHAFT COMP BALANCER	平衡軸組	1	
		14401-LDE9-E00	1	CHAIN CAM	凸輪軸驅動鍊條	1	
		14510-LDE9-E00	2	TENSIONER CAM CHAIN	內鍊條拉力桿	1	
		14520-GFY6-90A	1	LIFTER ASSY TENSIONER	內鏈條調整器	1	
		14523-KED9-900	0	GASKET TENSIONER LIFTER@A	內鍊條調整器片	1	
		14531-KHE7-900	0	PIVOT CAM CHAIN TENSIONER	拉力桿螺絲	1	
		14610-LDE9-E00	1	GUIDE COMP CAM CHAIN	鍊條導件	1	
		15441-1K49-001	0	OIL THROUGH	通油器	1	
		15447-1K49-001	0	SPG OIL THROUGH	通油器彈簧	1	
		90001-GBHB-661	0	BOLT FLANGE SHF 6*22	螺絲 6*22	2	
		90005-KEC8-900	1	BOLT SPECIAL 6*6	螺絲 6*6	1	
		91306-1E05-691	0	O-RING 1.5*9.5	O環 1.5*9.5	1	
		94301-10160	0	DOWEL PIN 10*16	定位銷 10*16	2	
		94601-17000	0	CLIP PISTON PIN 17MM	活塞銷環夾 17MM	2	



**E 04**

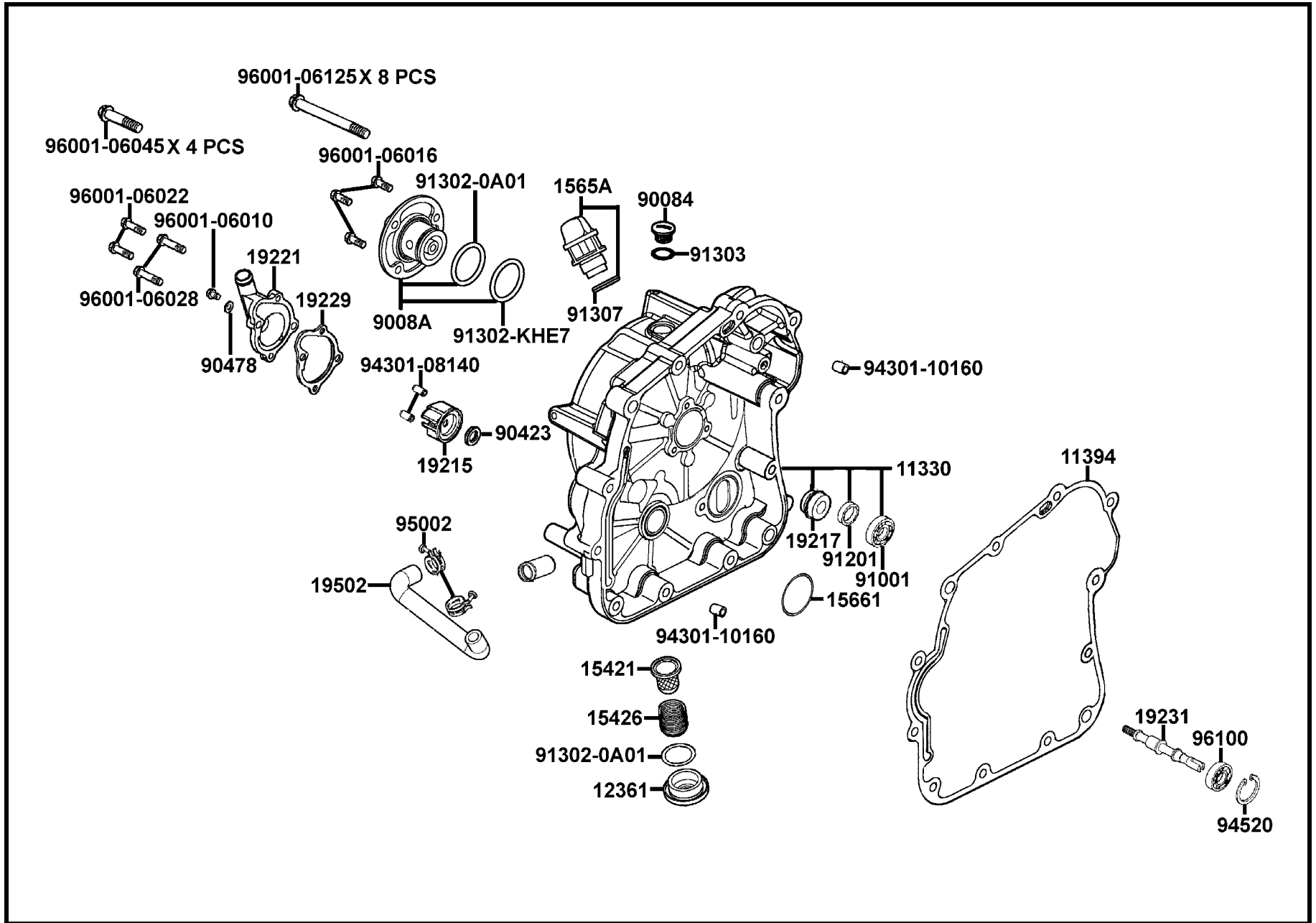
**Right Crankcase Cover Water Pump**



販賣記號 Sales mark	項目 Ref no	零件號碼 Part no	版數 Ver	英文名稱 Description	中文名稱 Chinese	需要用量 Regd no	建議售價 Ref Price
**		11330-LDE9-E00	2	COVER COMP R CRANK CASE	右曲軸箱蓋	1	
		11394-LBA7-900	2	GASKET R COVER	右曲軸箱蓋墊片	1	
		12361-GFY6-901	1	HOLE CAP TAPPET ADJUSTING	調節螺帽	1	
		15421-1G07-001	1	SCREEN OIL FILTER	濾油網	1	
		15426-GAE1-921	0	SPG OIL FILTER SCREEN	濾油網彈簧	1	
		1565A-KKAK-900	0	GAUGE OIL LEVEL ASSY	量油尺	1	
		15661-LBA7-900	1	FINDER OIL LEVEL	機油檢視窗	1	
		19215-KHE7-900	0	IMPELLER WATER PUMP	水泵葉輪	1	
		19217-6G57-024	0	SEAL MECHANICAL	機械油封	1	
		19221-KHE7-900	2	COVER WATER PUMP	水泵蓋	1	
		19229-LBA7-900	1	GASKET WATER OUMP	水泵墊片	1	
		19231-KKJ9-011	0	SHAFT WATER PUMP	水泵樞軸	1	
		19502-LBA7-900	2	HOSE B WATER	水管 B	1	
		90084-4H28-001	0	CAP ACG	A.C.G.蓋	1	
		9008A-LBA7-900	2	CAP ASSY R COVER	引擎右邊蓋外蓋	1	
		90423-KKJ9-001	0	WASHER 7.2*13*1.2	華司 7.2*13*1.2	1	
		90478-7L00-001	0	WASHER A 6MM	華司 6MM	1	
		91001-KKJ9-006	0	BRG BALL RADIAL 6901	軸承 6901	1	
		91201-KKJ9-004	0	OIL SEAL 12*20*4	油封 12*20*4	1	
		91302-0A01-021	0	O-RING 30.8MM	O環 30*8MM	2	

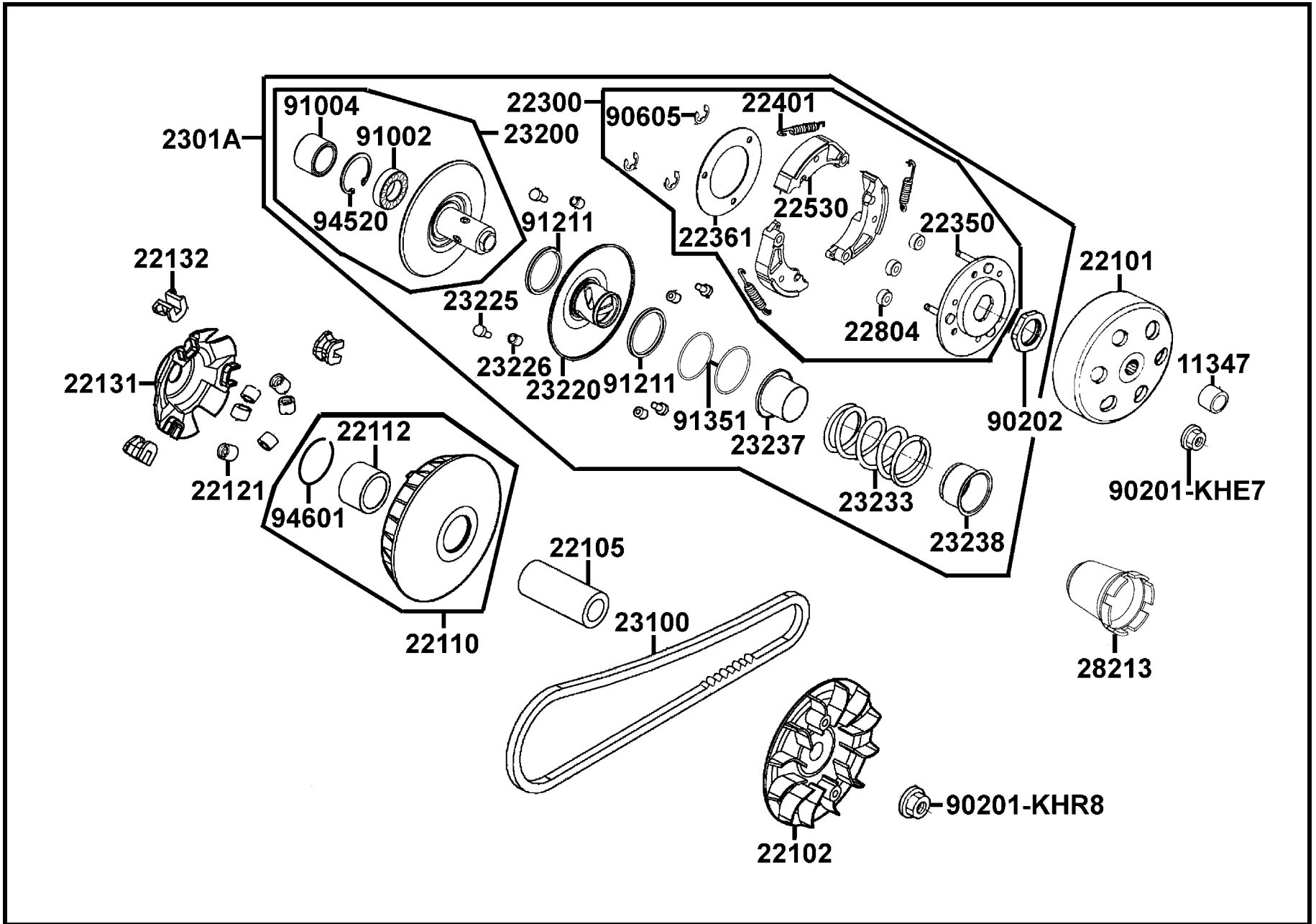
**E 04**

**Right Crankcase Cover Water Pump**



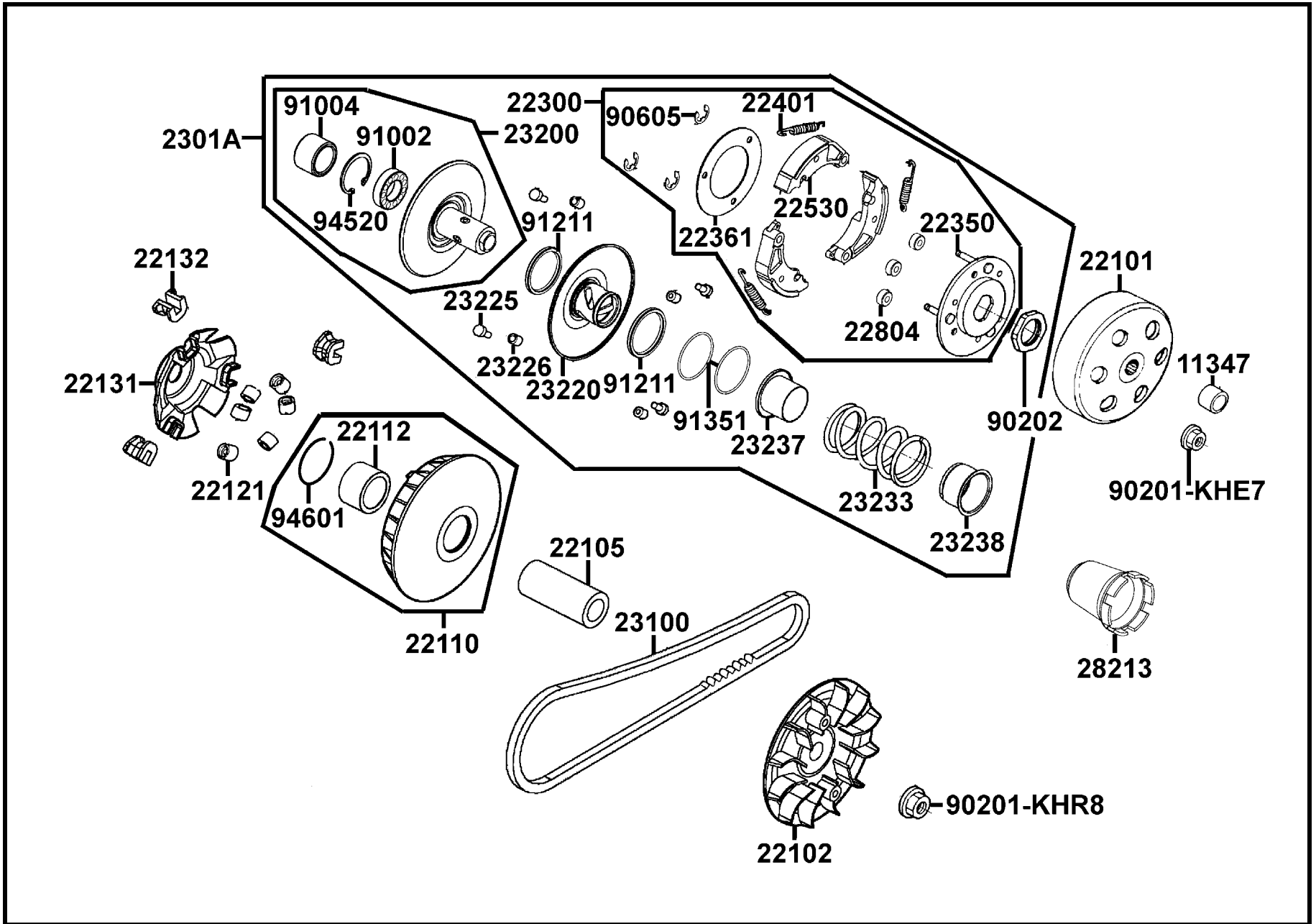
販賣記號 Sales mark	項目 Ref no	零件號碼 Part no	版數 Ver	英文名稱 Description	中文名稱 Chinese	需要用量 Regd no	建議售價 Ref Price
		91302-KHE7-900	0	O RING 27.4*2.1	O環 27.4*2.1	1	
		91303-3G77-001	0	O-RING 13.8*2.5	O環 13.8*2.5	1	
		91307-0E35-001	0	O-RING 18*3	O環 18*3	1	
		94301-08140	0	DOWEL PIN 8*14	定位銷 8*14	2	
		94301-10160	0	DOWEL PIN 10*16	定位銷 10*16	2	
		94520-26000	0	CIR CLIP IN 26	內夾環	1	
		95002-KHE7-900	0	CLIP WATER HOSE	水管夾	2	
		96001-06010-00	0	BOLT FLANGE SH 6*10	螺絲 6*10	1	
		96001-06016-08	0	BOLT FLANGE SH 6*16	螺絲 6*16	3	
		96001-06022-08	0	BOLT FLANGE SH 6*22	螺絲 6*22	2	
		96001-06028-08	0	BOLT FLANGE SH 6*28	螺絲 6*28	2	
		96001-06045-08	0	BOLT FLANGE SH 6*45	螺絲 6*45	4	
		96001-06125-08	0	BOLT FLANGE SH 6*125	螺絲 6*125	8	
		96100-60000-00	0	BEARING BALL RADIAL 6000	軸承 6000	1	

# E 05 Drive Pulley



販賣記號 Sales mark	項目 Ref no	零件號碼 Part no	版數 Ver	英文名稱 Description	中文名稱 Chinese	需要用量 Regd no	建議售價 Ref Price
		11347-LBA7-900	4	BOSS DRIVE SHAFT	從動軸外套	1	
		22101-LBA7-900	1	OUTER CLUTCH	離合器外套	1	
		22102-KHE7-900	1	FACE DRIVE	驅動皮帶扇葉盤	1	
		22105-LBA7-900	1	BOSS DRIVE FACE	襯套	1	
		22110-KHE7-900	5	FACE COMP MOVABLE DRIVE	滑動式驅動板組	1	
		22112-KHE7-900	1	BUSH 27*33*37	襯套 27*33*37	1	
		22121-LBA7-900	1	ROLLER COMP WEIGHT	配重滾子	6	
		22131-LBA7-900	1	PLATE RAMP	斜坡板	1	
		22132-KHE7-900	2	PIECE SLIDE	斜坡板邊件	3	
		22300-LBA7-900	2	PLATE ASSY DRIVE	驅動板組	1	
		22350-KHE7-900	0	PLATE COMP DRIVE	驅動板	1	
		22361-KHE7-900	0	PLATE CLUTCH SIDE	離合器邊板	1	
		22401-LBA7-900	3	SPRING CLUTCH	舉升板導銷	3	
		22530-LBA7-900	2	WEIGHT CLUTCH	離合器配重組	3	
		22804-GBB2-001	0	RUBBER CLUTCH DUMRER	離合器橡皮	3	
		2301A-LBA7-900	4	PULLEY SUB ASSY	從動皮帶輪組	1	
		23100-KHE7-900	0	BELT DRIVE	驅動皮帶	1	
		23200-KHE7-900	6	FACE ASSY DRIVEN	平面傳動盤組	1	
		23220-LLJ3-E00	2	FACE COMP MOVABLE DRIVEN	滑動式從動皮帶盤	1	
		23225-KHE7-900	0	PIN ROLLER GUIDE	導滾銷	4	

# E 05 Drive Pulley

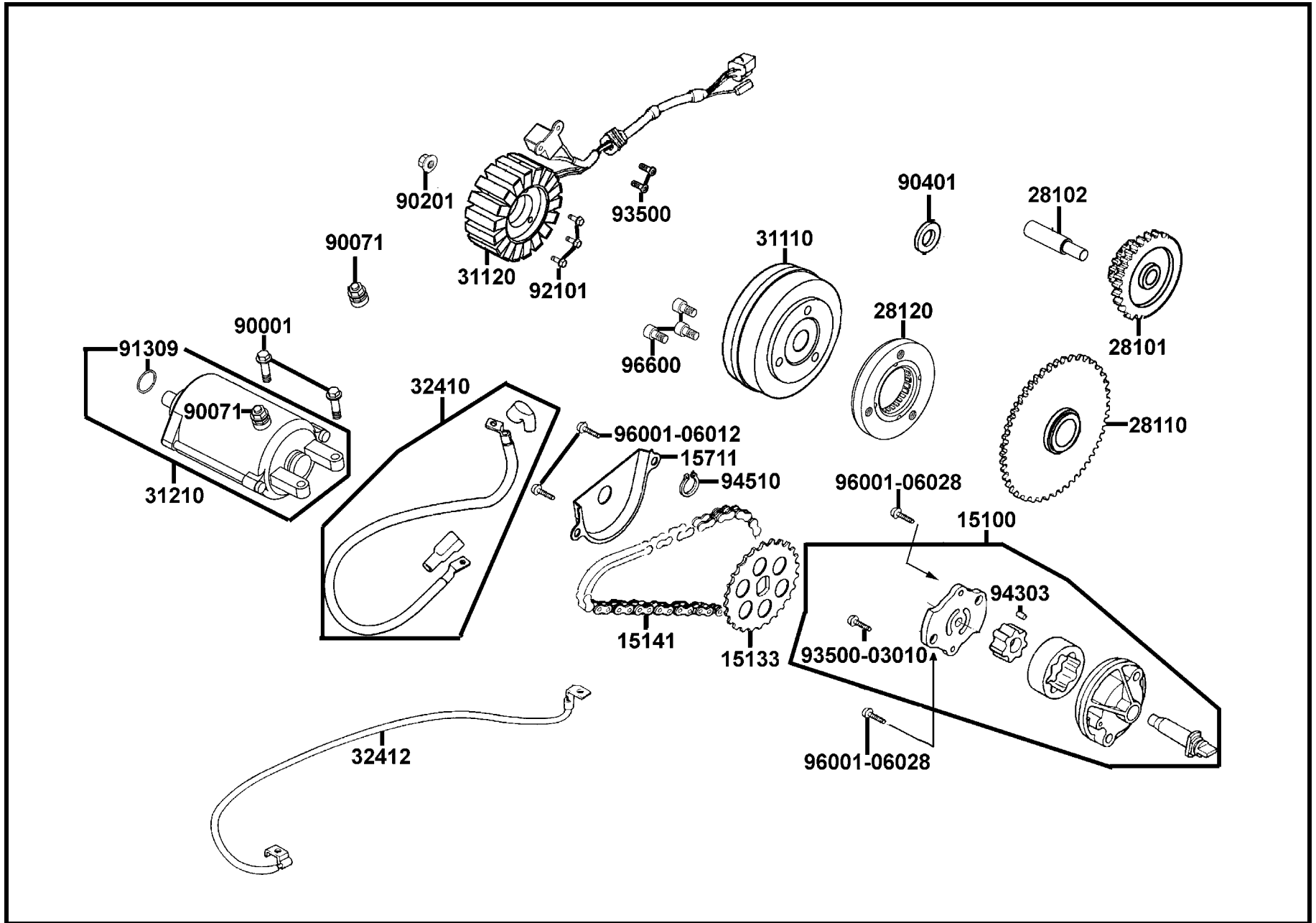


販賣記號 Sales mark	項目 Ref no	零件號碼 Part no	版數 Ver	英文名稱 Description	中文名稱 Chinese	需要用量 Regd no	建議售價 Ref Price
		23226-GHC8-004	0	ROLLER GUIDE	滾導	4	
		23233-LBA7-900	1	SPG DRIVEN FACE	驅動彈簧	1	
		23237-KHE7-900	0	COLLAR SEAL	套筒	1	
		23238-KHE7-900	0	COLLAR SPG	套筒	1	
		28213-LCA5-E00	3	PLATE RACHET	棘板	1	
		90201-KHE7-900	0	NUT C FLANGE M12	螺帽	1	
		90201-KHR8-75A	0	NUT FLANGE 14MM	螺帽 14MM	1	
		90202-1G87-001	0	NUT SPECIAL 28MM	螺帽 28MM	1	
		90605-1F66-721	0	CIR CLIP 7MM	環夾 7MM	3	
		91002-GGA7-70A	0	BRG BALL RADIAL 6902U	軸承 6902U	1	
		91004-KHE7-900	1	BRG NDL 22*29*18	軸承 22*29*18	1	
		91211-KHE7-900	0	SEAL DRIVEN FACE	傳動組油封	2	
		91351-KHE7-900	0	O-RING PINION CAP	O環	2	
		94520-28000	0	CIR CLIP IN 28	內夾環	1	
		94601-33000	0	CLIP PISTON PIN 33MM	活塞銷環夾 33MM	1	

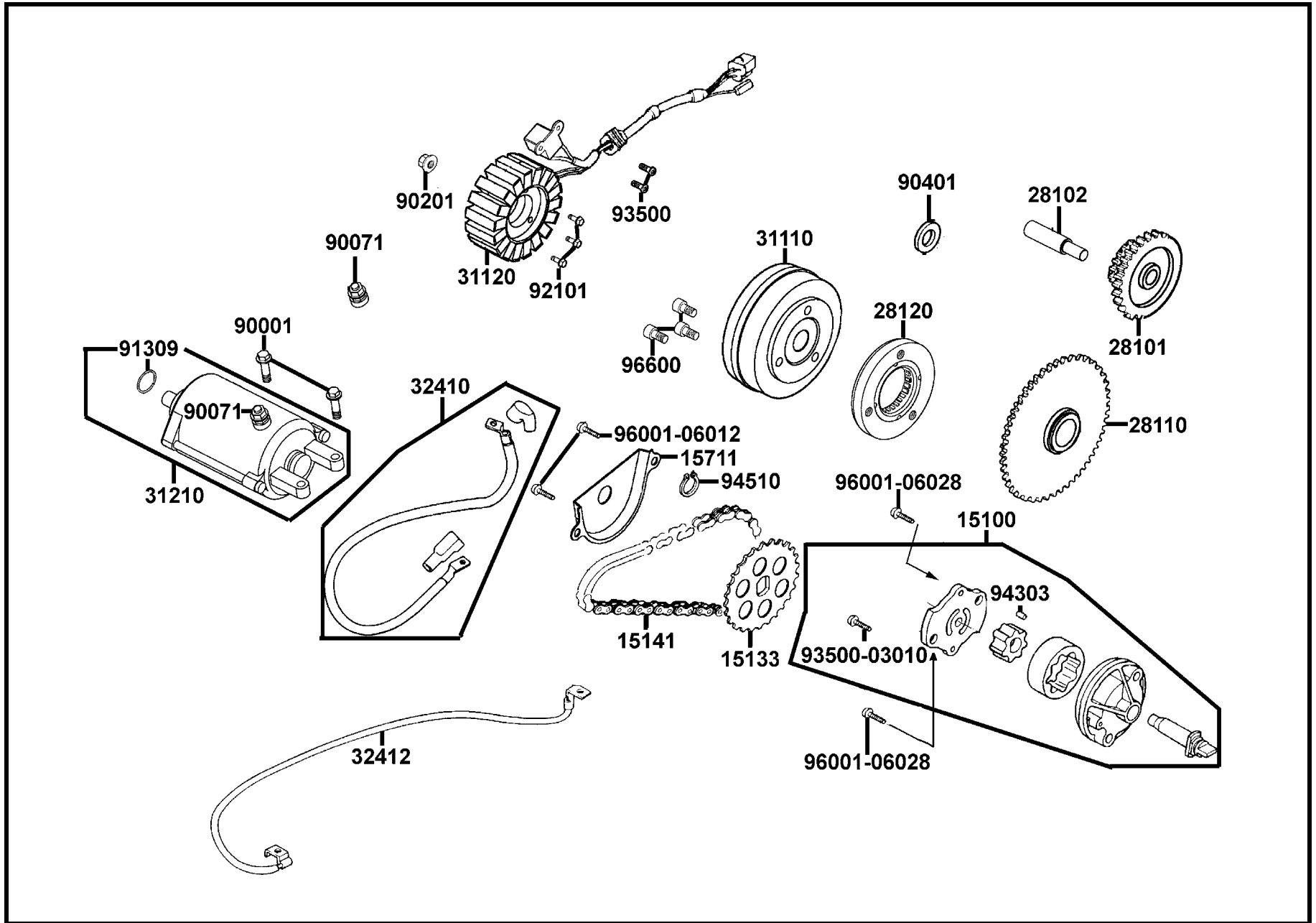


**E 06**

**Starting Motor Generator**

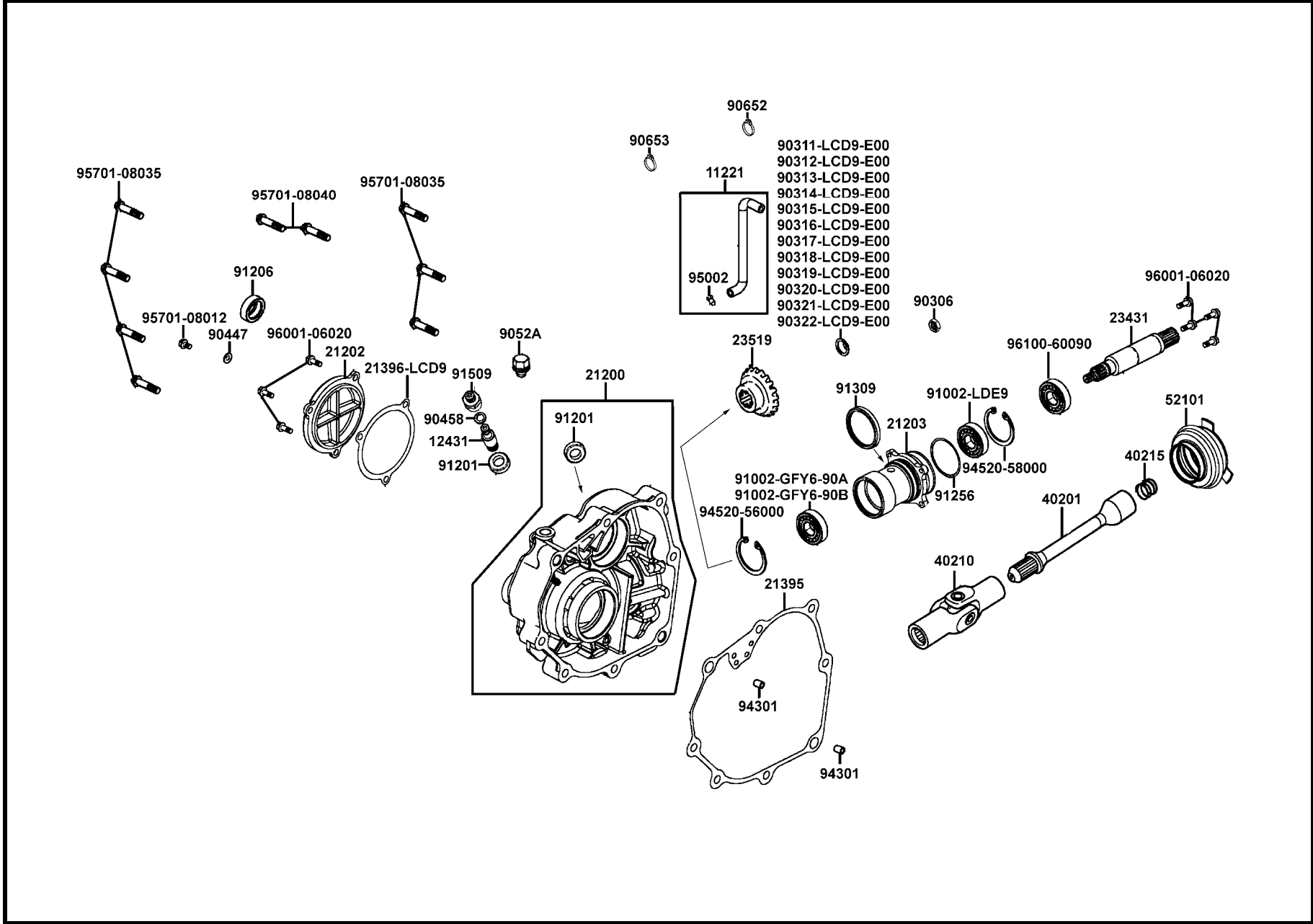


販賣記號 Sales mark	項目 Ref no	零件號碼 Part no	版數 Ver	英文名稱 Description	中文名稱 Chinese	需要用量 Regd no	建議售價 Ref Price
		15100-LBA7-900	1	PUMP ASSY OIL	油泵	1	
		15133-KAM1-001	0	SPROCKET OIL PUMP DRIVE	油泵驅動齒輪	1	
		15141-LBA2-E00	1	CHAIN OIL PUMP	油泵驅動鏈條	1	
		15711-KHE7-900	0	SEPARATER OIL	機油分隔板	1	
		28101-KHE7-900	0	GEAR STARTER REDUCTION	起動減速齒輪	1	
		28102-LDE9-E00	1	SHAFT STARTER REDUCTION	起動減速齒輪軸	1	
		28110-LDB2-E00	2	GEAR COMP STARTING CLUTCH	起動齒輪	1	
		28120-LDB2-E00	0	ONE WAY CLUTCH	離合器外套	1	
		31110-LDE9-E00	1	FLYWHEEL COMP	飛輪	1	
		31120-LDE9-E00	1	STASOR COMP	轉子線圈	1	
		31210-LBA7-900	1	MOTOR UNIT STARTER	起動馬達	1	
		32410-LBA7-900	2	CABLE STARTER MOTOR	起動馬達配線	1	
		32412-LCA5-E00	2	CABLE EARTH	接地線	1	
		90001-GBHB-661	0	BOLT FLANGE SHF 6*22	螺絲 6*22	2	
		90071-MLB0-001	0	NUT WASH 6MM	螺帽 6MM	2	
		90201-KHR8-75A	0	NUT FLANGE 14MM	螺帽 14MM	1	
		90401-KKJ9-001	0	WASHER THRUST 14*28*2	墊圈	1	
		91309-4E25-004	0	O-RING 24.4*3.1	O環 24.4*3.1	1	
		92101-05032-0H	0	BOLT HEX 5*32	螺絲 5*32	3	
		93500-03010-1A	0	SCREW PAN 3*10	螺絲 3*10	1	

**E 06****Starting Motor Generator**

販賣記號	項目	零件號碼	版數	英文名稱	中文名稱	需要用量	建議售價
Sales mark	Ref no	Part no	Ver	Description	Chinese	Regd no	Ref Price
		93500-05016-0H	0	SCREW PAN 5*16	螺絲 5*16	2	
		94303-04065	0	PIN DOWEL 4*6.5	螺絲 4*6.5	1	
		94510-10000	0	CIR CLIP EX 10	外環夾 10MM	1	
		96001-06012-08	0	BOLT FLANGE SH 6*12	螺絲 6*12	2	
		96001-06028-08	0	BOLT FLANGE SH 6*28	螺絲 6*28	2	
		96600-08015-10	1	SOCKET BOLT 8*15	螺絲 8*15	3	

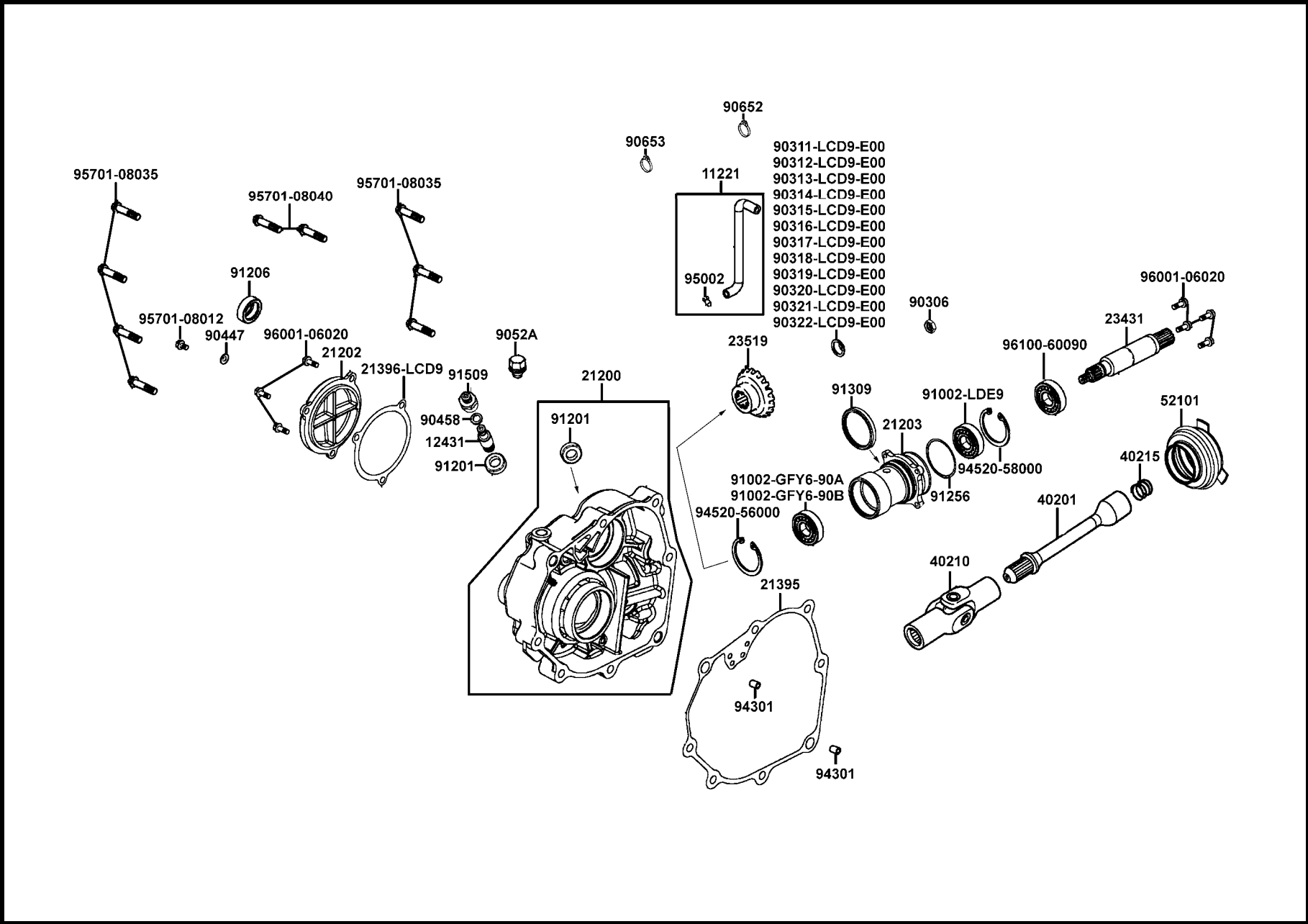
# E 07 Case Comp Mission



販賣記號 Sales mark	項目 Ref no	零件號碼 Part no	版數 Ver	英文名稱 Description	中文名稱 Chinese	需要用量 Regd no	建議售價 Ref Price
		11221-LBA7-900	1	TUBE MISSION BREATHER	通氣管	1	
		12431-LCD9-E00	1	GEAR TACHOMETER	引擎轉速錶副齒輪	1	
		21200-LCD9-E00	7	CASE COMP MISSION	主軸箱	1	
		21202-LCD9-E00	3	CAP MISSION	主軸箱小蓋	1	
		21203-LCD9-E00	6	CASE FINAL SHAFT	最終軸箱	1	
		21395-LCD9-E00	1	GASKET MISSION CASE	主軸箱墊片	1	
		21396-LCD9-E00	3	GASKET MISSION COVER	推力墊圈	1	
		23431-LCD9-E00	5	SHAFT FINAL	最終軸	1	
		23519-LCD9-E00	6	GEAR BEVEL DRIVEN	從動斜齒輪	1	
		40201-LCD9-E00	2	SHAFT PROPELLER	推進軸	1	
		40210-LCD9-E00	3	JOINT YORK	萬向接頭	1	
		40215-LCD9-E00	1	SPG PROPELLER SHAFT	推進軸彈簧	1	
		52101-LCD9-E00	3	BOOT JOINT	護套	1	
		90306-LCD9-E00	2	NUT 18MM	螺絲 18MM	1	
		90311-LCD9-E00	4	SHIM DRIVE BEVEL GEAR A	斜齒輪填隙墊片 A	1	
		90312-LCD9-E00	4	SHIM DRIVE BEVEL GEAR B	斜齒輪填隙墊片 B	1	
		90313-LCD9-E00	4	SHIM DRIVE BEVEL GEAR C	斜齒輪填隙墊片 C	1	
		90314-LCD9-E00	4	SHIM DRIVE BEVEL GEAR D	斜齒輪填隙墊片 D	1	
		90315-LCD9-E00	4	SHIM DRIVE BEVEL GEAR E	斜齒輪填隙墊片 E	1	
		90316-LCD9-E00	4	SHIM DRIVE BEVEL GEAR F	斜齒輪填隙墊片 F	1	

# E07

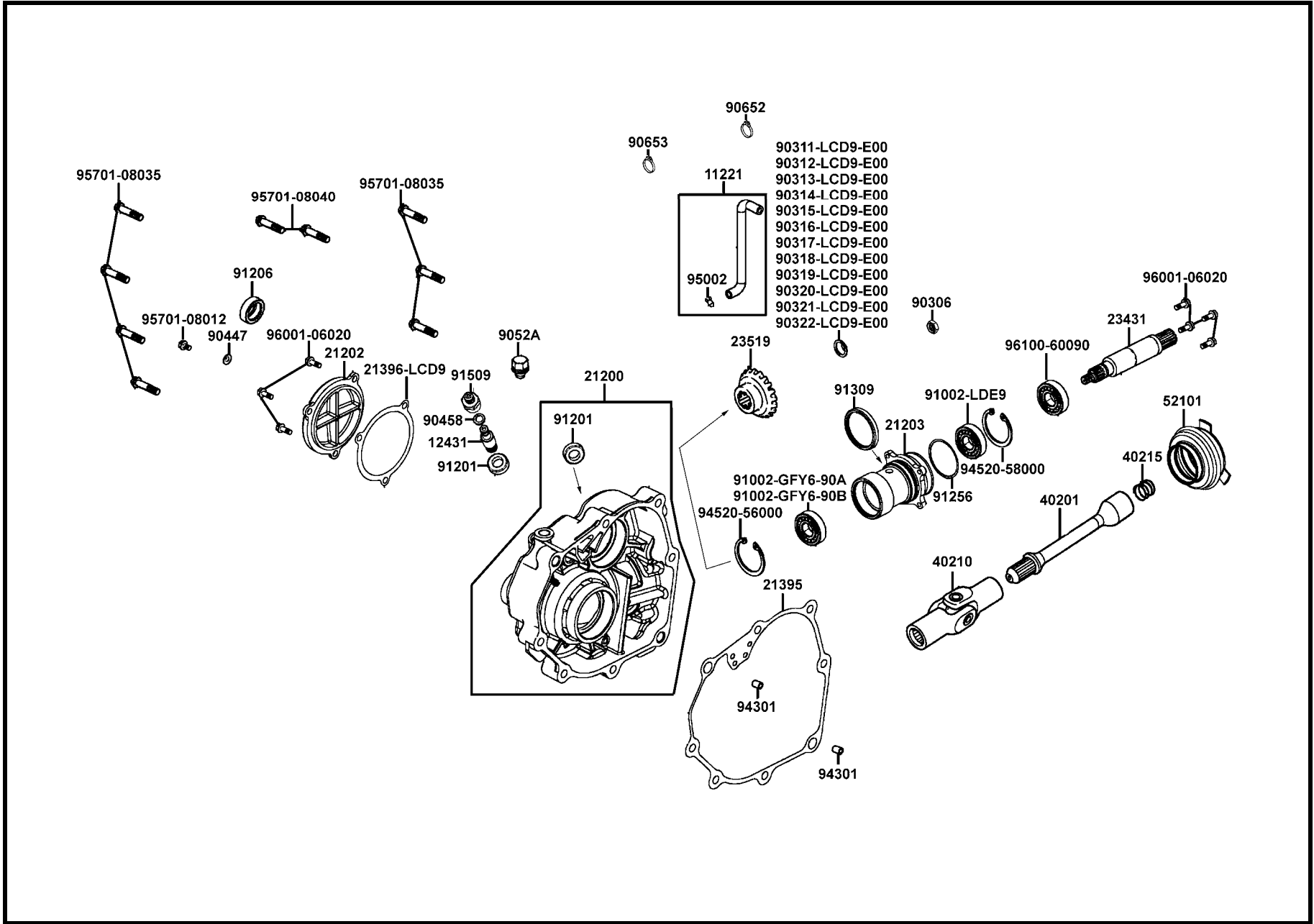
# Case Comp Mission



販賣記號 Sales mark	項目 Ref no	零件號碼 Part no	版數 Ver	英文名稱 Description	中文名稱 Chinese	需要用量 Regd no	建議售價 Ref Price
		90317-LCD9-E00	4	SHIM DRIVE BEVEL GEAR G	斜齒輪填隙墊片 G	1	
		90318-LCD9-E00	4	SHIM DRIVE BEVEL GEAR H	斜齒輪填隙墊片 H	1	
		90319-LCD9-E00	4	SHIM DRIVE BEVEL GEAR I	斜齒輪填隙墊片 I	1	
		90320-LCD9-E00	4	SHIM DRIVE BEVEL GEAR J	斜齒輪填隙墊片 J	1	
		90321-LCD9-E00	4	SHIM DRIVE BEVEL GEAR K	斜齒輪填隙墊片 K	1	
		90322-LCD9-E00	4	SHIM DRIVE BEVEL GEAR L	斜齒輪填隙墊片 L	1	
		90447-KED9-900	2	WASHER THRUST 17.2MM	墊圈	1	
		90458-LBA7-E00	1	THRUST WASHER 8MM	推力墊圈	1	
		9052A-GFY6-950	1	BOLT ASSY DRAIN PLUG	螺絲	1	
		90652-LCD9-E00	0	BAND 90 CONNECTING TUBE	束帶	1	
		90653-LCD9-E00	2	BA 66 BOOT	束帶	1	
		91002-GFY6-90A	0	BRG BALL RADIAL 63/22	軸承	1	
		91002-GFY6-90B	0	BRG BALL RADIAL 63/22	軸承	1	
		91002-LDE9-E00	1	BRG BALL RADIAL 62/28	軸承	1	
		91201-9A51-004	0	OIL SEAL 12*18*3	油封 12*18*3	2	
		91206-2F86-014	0	OIL SEAL 14*28*7	油封 14*28*7	1	
		91256-LCD9-E00	2	OIL SEAL 28*59*7	油封 28*59*7	1	
		91309-LCD9-E00	2	O-RING	O 環	1	
		91509-LBA7-E00	3	BOLT TACHOMETER	轉速計螺栓	1	
		94301-10160	0	DOWEL PIN 10*16	定位銷	2	

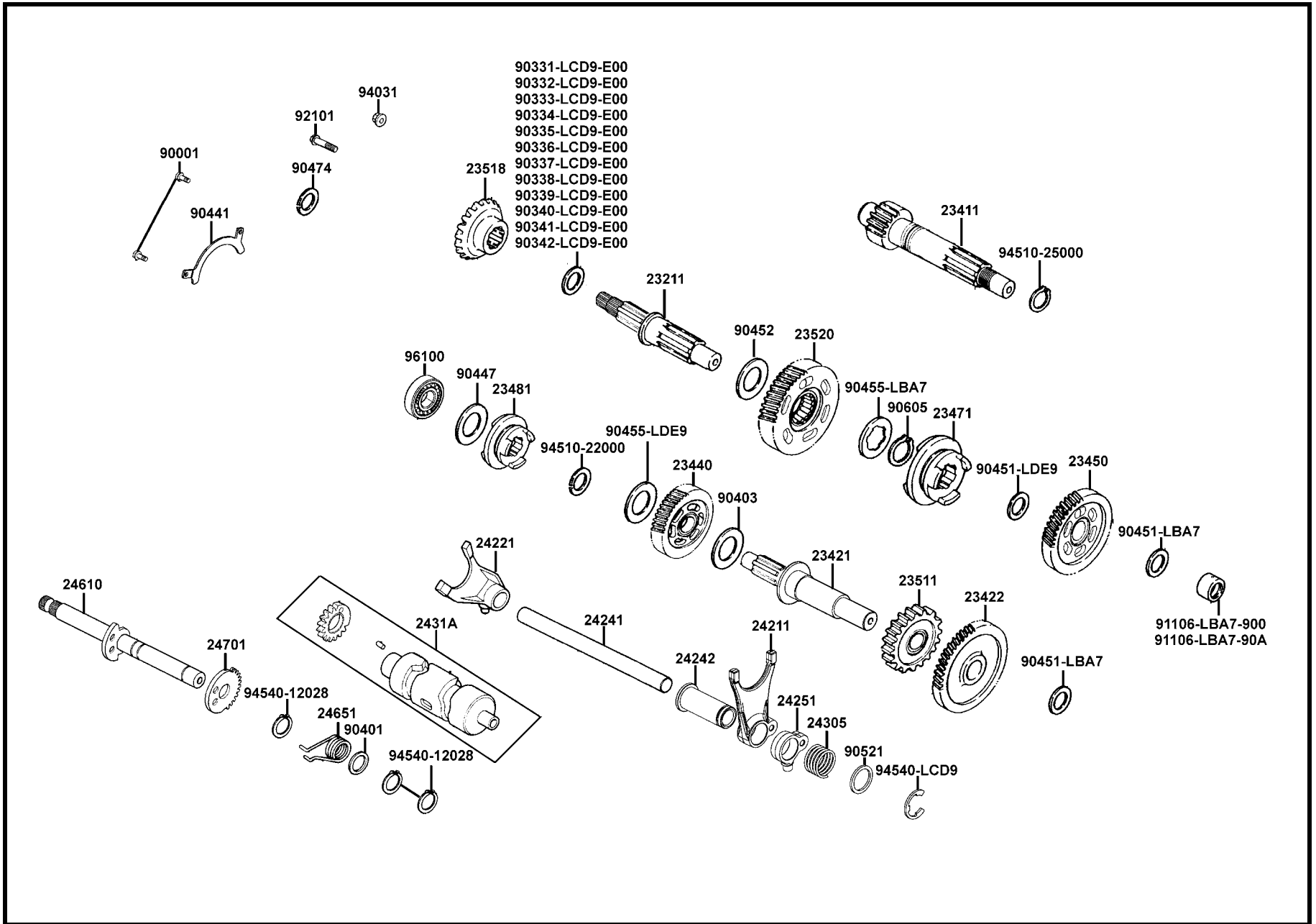


# E 07 Case Comp Mission



販賣記號 Sales mark	項目 Ref no	零件號碼 Part no	版數 Ver	英文名稱 Description	中文名稱 Chinese	需要用量 Regd no	建議售價 Ref Price
		94520-56000	0	CIR CLIP IN 56	夾環	1	
		94520-58000	0	CIR CLIP IN 58	夾環	1	
		95002-02150	0	CLIP B15 TUBE	管夾	1	
		95701-08012-08	0	BOLT FLANGE 8*12	螺絲 8*12	1	
		95701-08035-08	0	BOLT FLANGE 8*35	螺絲 8*35	7	
		95701-08040-08	0	BOLT FLANGE 8*40	螺絲 8*40	2	
		96001-06020-08	0	BOLT FLANGE SH 6*20	螺絲 6*20	7	
		96100-60090-00	2	BRG RADIAL BALL 6009	軸承	1	

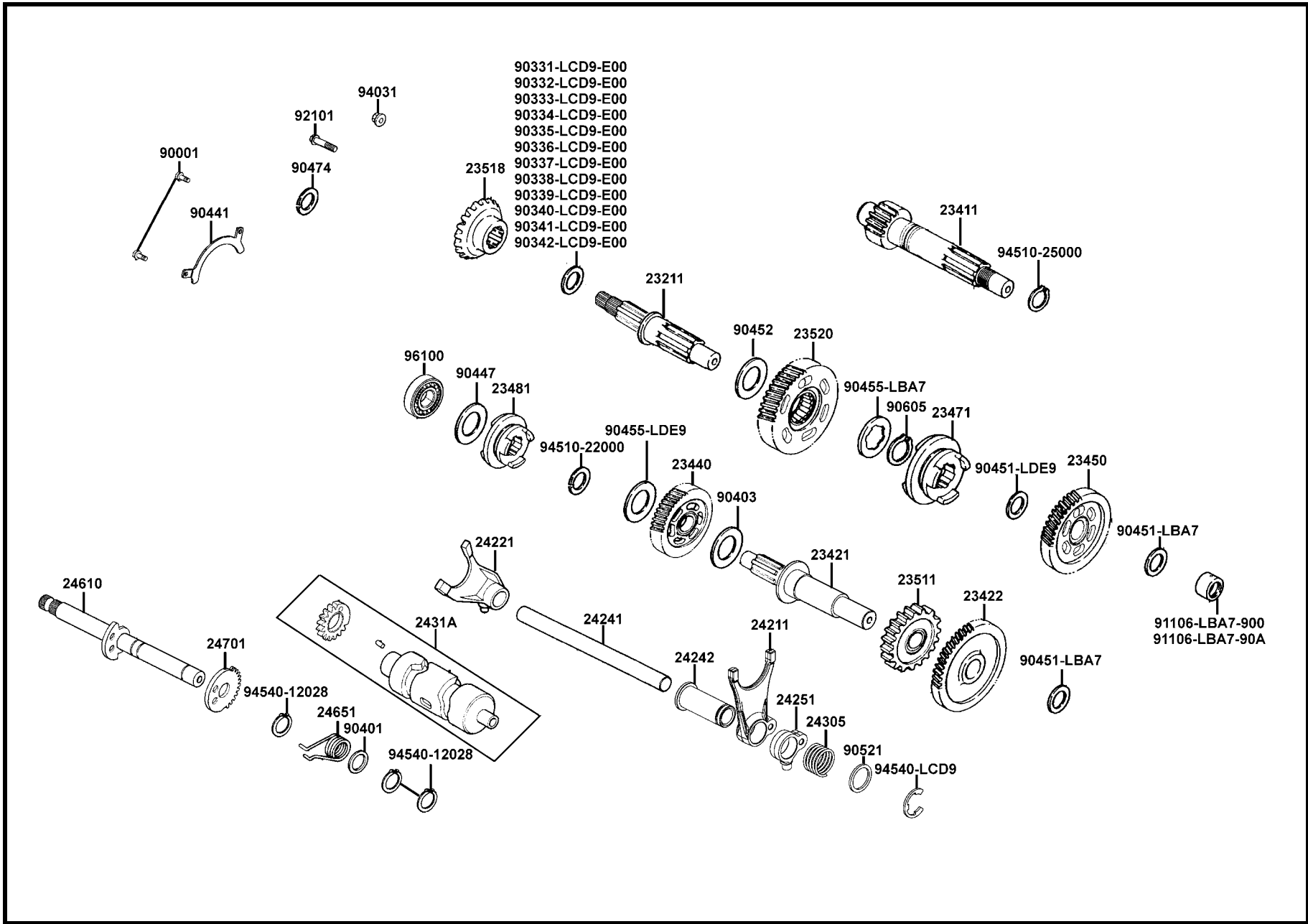
# E 08 Transmission



販賣記號 Sales mark	項目 Ref no	零件號碼 Part no	版數 Ver	英文名稱 Description	中文名稱 Chinese	需要用量 Regd no	建議售價 Ref Price
		23211-LCD9-E00	5	SHAFT MAIN	主軸	1	
		23411-LCD9-E00	2	SHAFT DRIVE	驅動軸	1	
		23421-LCD9-E00	2	SHAFT COUNTER	副軸	1	
		23422-LCD9-E00	3	GEAR COUNTER	副軸齒輪	1	
		23440-LCD9-E00	2	GEAR ASSY FORWARD	前進檔齒輪組	1	
		23450-LCD9-E00	3	GEAR BACKWARD	倒車檔齒輪	1	
		23471-LCD9-E00	2	SHIFT REVERSE & LOWER	倒車低速檔撥叉樞軸	1	
		23481-LCD9-E00	2	SHIFT FORWARD	前進檔撥叉樞軸	1	
		23511-LCD9-E00	2	GEAR LOWER DRIVE	低速齒輪	1	
		23518-LCD9-E00	7	GEAR BEVEL DRIVE	斜齒輪	1	
		23520-LCD9-E00	1	GEAR ASSY LOWER DRIVEN	從動低速檔齒輪	1	
		24211-LCD9-E00	5	FORK RIGHT GEAR SHIFT	轉動右前叉齒輪	1	
		24221-LCD9-E00	1	FORK LEFT GEAR SHIFT	左轉齒輪撥叉	1	
		24241-LCD9-E00	1	SHAFT GEAR SHIFT FORK GUIDE	齒輪撥叉導軸	1	
		24242-LCD9-E00	3	SPRING FORK	前叉彈簧	1	
		24251-LCD9-E00	4	GUIDE RIGHT FORK	右前叉導管	1	
		2431A-LCD9-E00	4	DRUM ASSY GEAR SHIFT	轉動鼓輪齒輪組	1	
		24305-PWA1-900	1	SPRING DRUM	鼓輪彈簧	1	
		24610-LCD9-E00	5	SPINDLE COMP DRUM SHIFT	轉動鼓輪軸	1	
		24651-LCD9-E00	4	SPRING GEAR SHIFT RETURN	彈簧	1	

# E 08

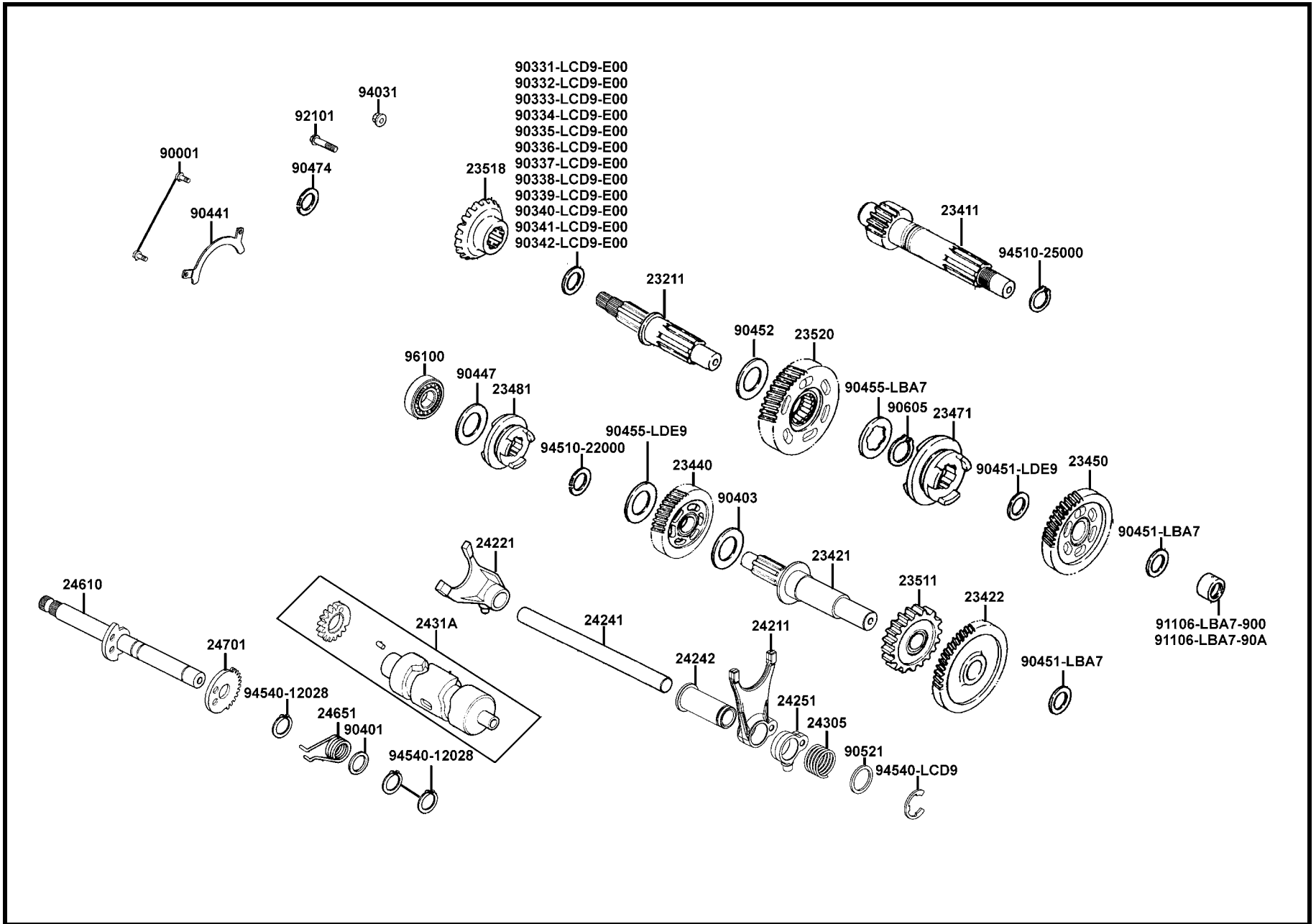
# Transmission



販賣記號 Sales mark	項目 Ref no	零件號碼 Part no	版數 Ver	英文名稱 Description	中文名稱 Chinese	需要用量 Regd no	建議售價 Ref Price
		24701-LCD9-E00	4	GEAR CHANGE HNDL	齒輪把手	1	
		90001-GFY6-901	1	SOCKET BOLT 6*10	螺絲 6*10	2	
		90331-LCD9-E00	4	SHIM DRIVEN BEVEL GEAR A	從動斜齒輪填隙墊片A	1	
		90332-LCD9-E00	4	SHIM DRIVEN BEVEL GEAR B	從動斜齒輪填隙墊片B	1	
		90333-LCD9-E00	4	SHIM DRIVEN BEVEL GEAR C	從動斜齒輪填隙墊片C	1	
		90334-LCD9-E00	4	SHIM DRIVEN BEVEL GEAR D	從動斜齒輪填隙墊片D	1	
		90335-LCD9-E00	4	SHIM DRIVEN BEVEL GEAR E	從動斜齒輪填隙墊片E	1	
		90336-LCD9-E00	4	SHIM DRIVEN BEVEL GEAR F	從動斜齒輪填隙墊片F	1	
		90337-LCD9-E00	4	SHIM DRIVEN BEVEL GEAR G	從動斜齒輪填隙墊片G	1	
		90338-LCD9-E00	4	SHIM DRIVEN BEVEL GEAR H	從動斜齒輪填隙墊片H	1	
		90339-LCD9-E00	4	SHIM DRIVEN BEVEL GEAR I	從動斜齒輪填隙墊片I	1	
		90340-LCD9-E00	4	SHIM DRIVEN BEVEL GEAR J	從動斜齒輪填隙墊片J	1	
		90341-LCD9-E00	4	SHIM DRIVEN BEVEL GEAR K	從動斜齒輪填隙墊片K	1	
		90342-LCD9-E00	4	SHIM DRIVEN BEVEL GEAR L	從動斜齒輪填隙墊片L	1	
		90401-KKJ9-001	0	WASHER THRUST 14*28*2	墊片 14*28*2	1	
		90403-GFY6-901	0	WASHER THRUST 22.2*31*2.5	墊片 22.2*31*2.5	1	
		90441-LDE9-E00	2	PLATE BRG HOLD	軸承薄板	1	
		90447-KED9-900	2	WASHER THRUST 17.2MM	墊片 17.2MM	1	
		90451-LBA7-900	1	WASHER THRUST 20MM	華司 20MM	2	
		90451-LDE9-E00	1	WASHER THRUST 30*20*3	墊片 30*20*3	1	

# E 08

# Transmission

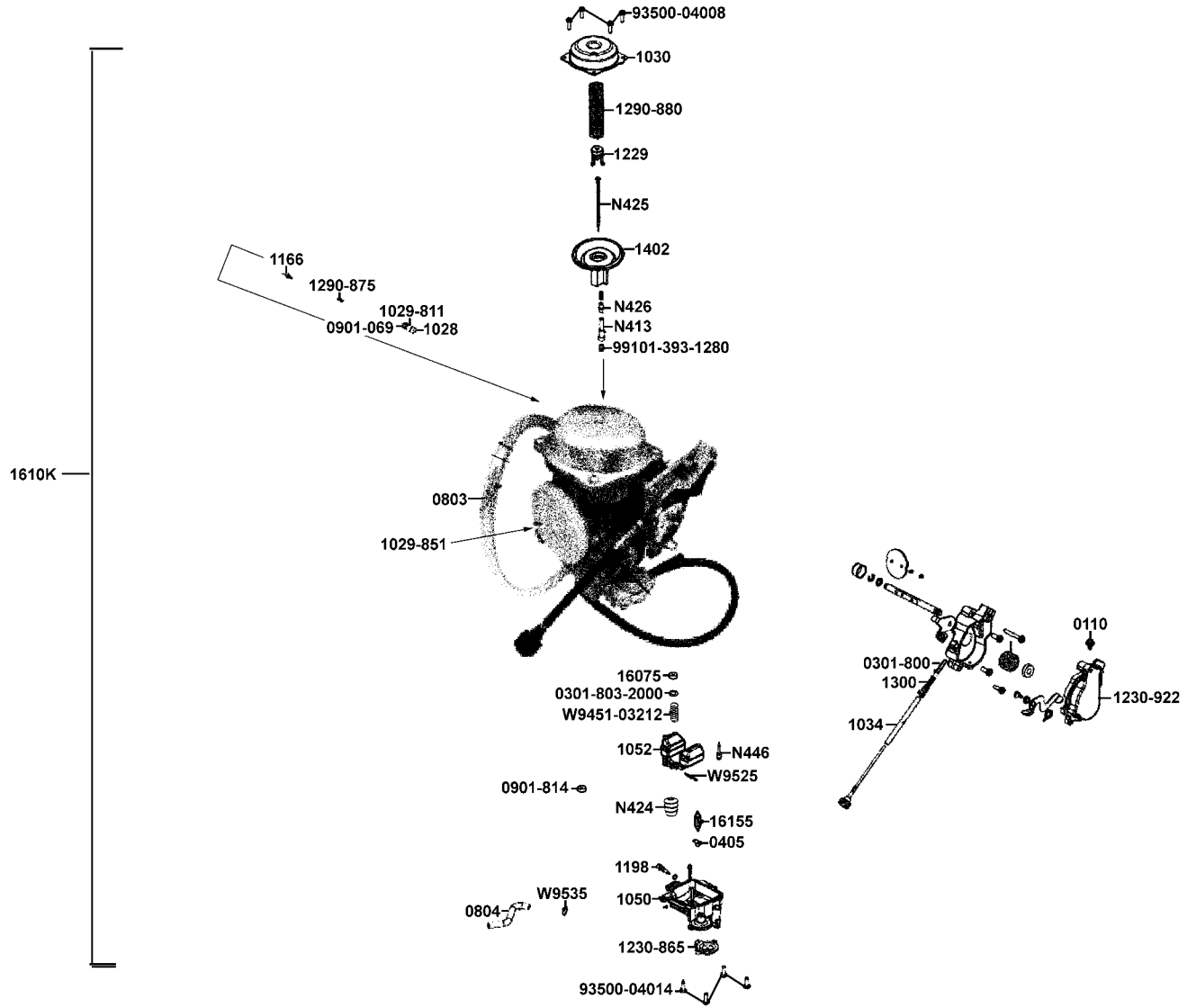


販賣記號 Sales mark	項目 Ref no	零件號碼 Part no	版數 Ver	英文名稱 Description	中文名稱 Chinese	需要用量 Regd no	建議售價 Ref Price
		90452-LBA7-900	1	WASHER THRUST 25MM	墊片 25MM	1	
		90455-LBA7-900	1	WASHER SPLINE 25MM	墊片 25MM	1	
		90455-LDE9-E00	2	WASHER SPLINE 20MM	華司 20MM	1	
		90474-3C33-001	1	WASHER 8MM	華司 8MM	1	
		90521-0H28-001	0	DIA WASHER 17*22	華司 17*22	1	
		90605-KED9-900	2	SET RING 28MM	環組 28MM	1	
		91106-LBA7-900	1	BRG NEEDLE 20*26*16	軸承 20*26*16	1	
		91106-LBA7-90A	0	BRG NEEDLE 20*26*16	軸承 20*26*16	1	
		92101-06020-0H	0	BOLT HEX 6*20	螺絲 6*20	1	
		94031-LCD9-E00	2	NUT HEX 16MM	螺帽 16MM	1	
		94510-22000	0	CIR CLIP EX 22	環夾	1	
		94510-25000	0	CIR CLIP EX 25	環夾	1	
		94540-12028	0	E RING 12	E型環	3	
		94540-LCD9-E00	3	E RING 15 SPECIAL	E型環	1	
		96100-63030-00	0	BEARING BALL RADIAL 6303	軸承 6303	1	



**E 09**

**Carburetor**

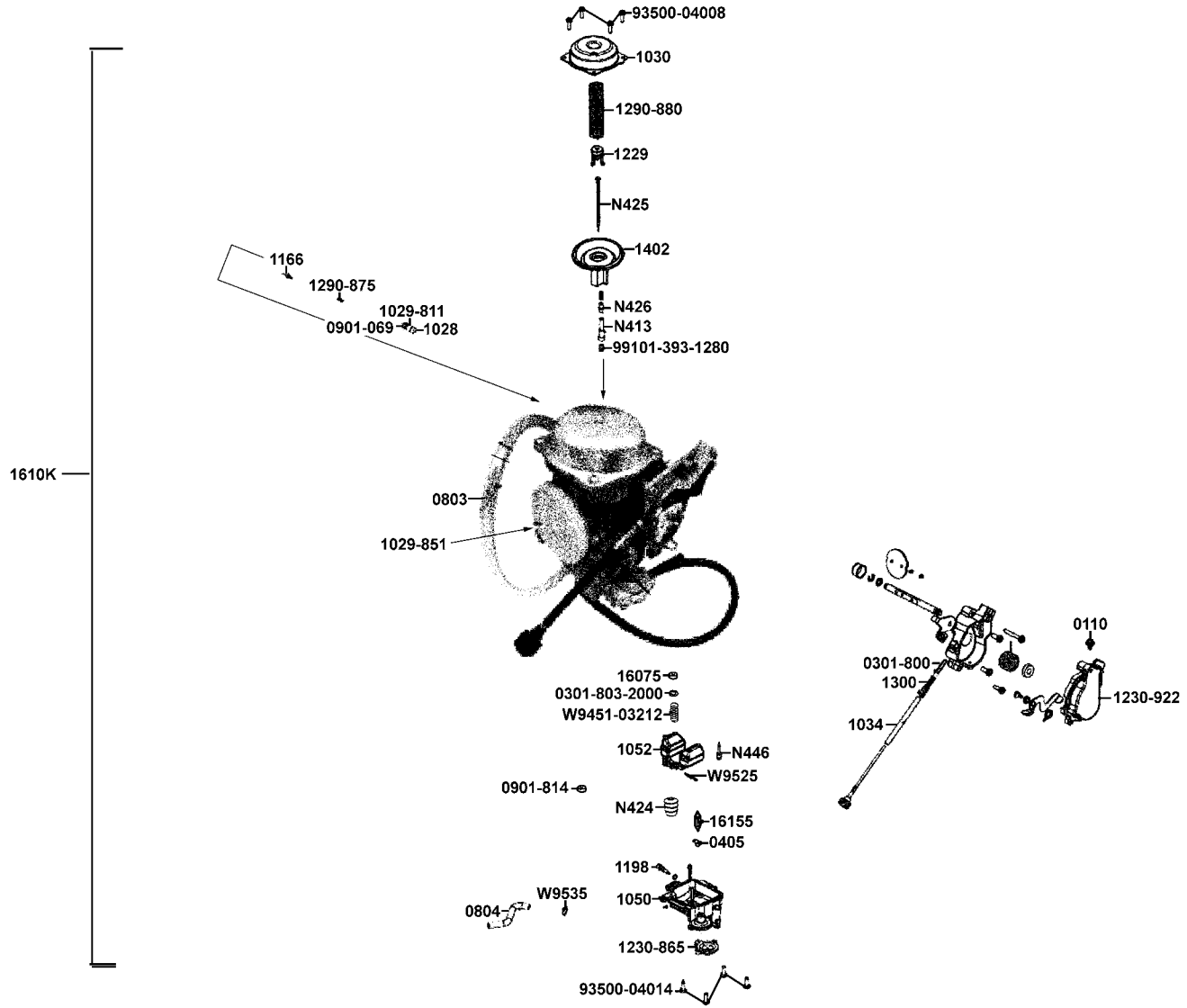


販賣記號 Sales mark	項目 Ref no	零件號碼 Part no	版數 Ver	英文名稱 Description	中文名稱 Chinese	需要用量 Regd no	建議售價 Ref Price
		0110-803-1100	0	SCREW PAN	螺絲	1	
		0301-800-2000	0	WASHER	墊片	1	
		0301-803-2000	0	PLAIN WASHER	墊片	1	
		0405-019-1000	0	CLIP	管夾	1	
		0804-G38-0000	0	RUBBER PIPE	油管	1	
		0901-069-6000	0	O-RING	O環	1	
		0901-814-6000	0	O-RING	O環	1	
		1028-816-7000	0	CABLE SEALING CAP	導線	1	
		1029-811-7001	0	CAP	護蓋	1	
		1029-851-7000	0	CAP	護蓋	1	
		1030-906-2100	0	TOP	節流活塞閥蓋	1	
		1034-868-2001	0	STOP SCREW	螺絲	1	
		1050-835-2705	0	FLOAT CHAMBER COMP	浮筒閥	1	
		1052-829-2100	0	FLOAT COMP	浮筒組	1	
		1166-807-2200	0	STARTER VALVE COMP	起動閥	1	
		1198-816-2000	0	DRAIN SCREW	溢流孔螺絲	1	
		1229-800-7001	0	SPRING SEAT	彈簧	1	
		1230-922-7000	0	COVER	護蓋	1	
		1290-875-2000	0	COIL SPG	彈簧	1	
		1290-880-2000	0	COIL SPRING	彈簧	1	

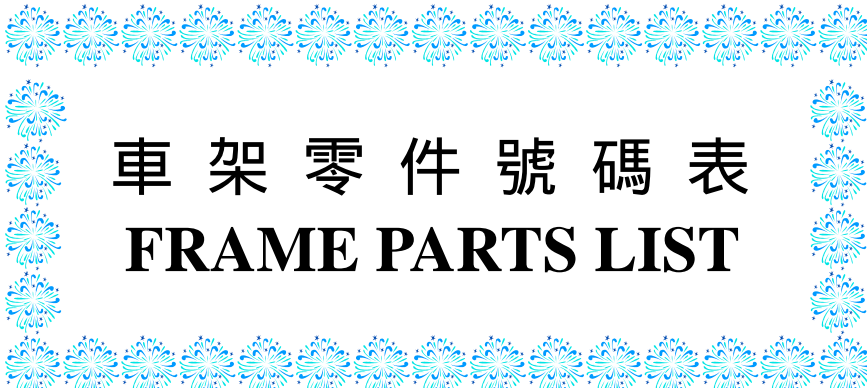
**E 09**

**E 09**

**Carburetor**



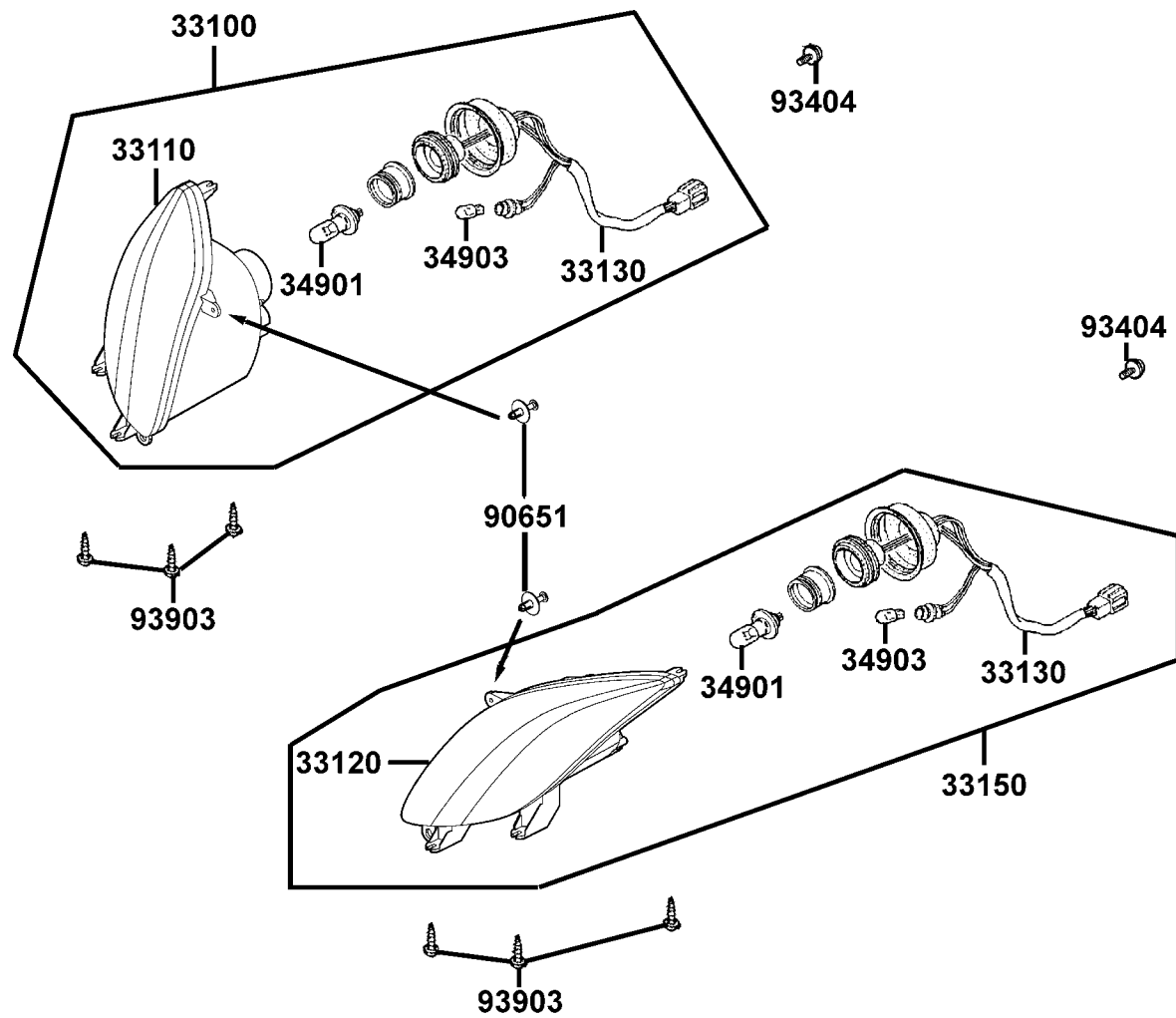
販賣記號 Sales mark	項目 Ref no	零件號碼 Part no	版數 Ver	英文名稱 Description	中文名稱 Chinese	需要用量 Regd no	建議售價 Ref Price
		1300-196-2001	0	COIL SPG	彈簧	1	
		1402-846-2600	0	VACUUM PISTON COMP	真空活塞閥	1	
		16075-KG8-9010-M1	0	O-RING	O環	1	
		1610K-LEC1-900	1	CARBURETOR ASSY.	化油器組	1	
		16155-ZG8-L100	0	FLOAT VALVE COMP	浮筒閥	1	
		93500-04008-1H	0	SCREW PAN	螺絲	4	
		93500-04014-1H	0	SCREW PAN	螺絲	4	
		99101-393-1120	0	MAIN JET #112	主噴油嘴	1	
		N413-03C00	0	NEEDLE JET HOLDER	油針支座	1	
		N424-25B38	0	SLOW JET	慢速噴油嘴	1	
		N425-LRA00	0	JET NEEDLE COMP	油針	1	
		N426-35236	0	JET NEEDLE	油針	1	
		N446-45A00	0	P.S	螺絲	1	
		W9451-03212	0	SPG COMP R	彈簧	1	
		W9525-25250	0	ARM PIN	浮筒閥臂銷	1	
		W9535-45000	0	TUBE CLIP	管夾	1	



車架零件號碼表  
**FRAME PARTS LIST**

**F 01**

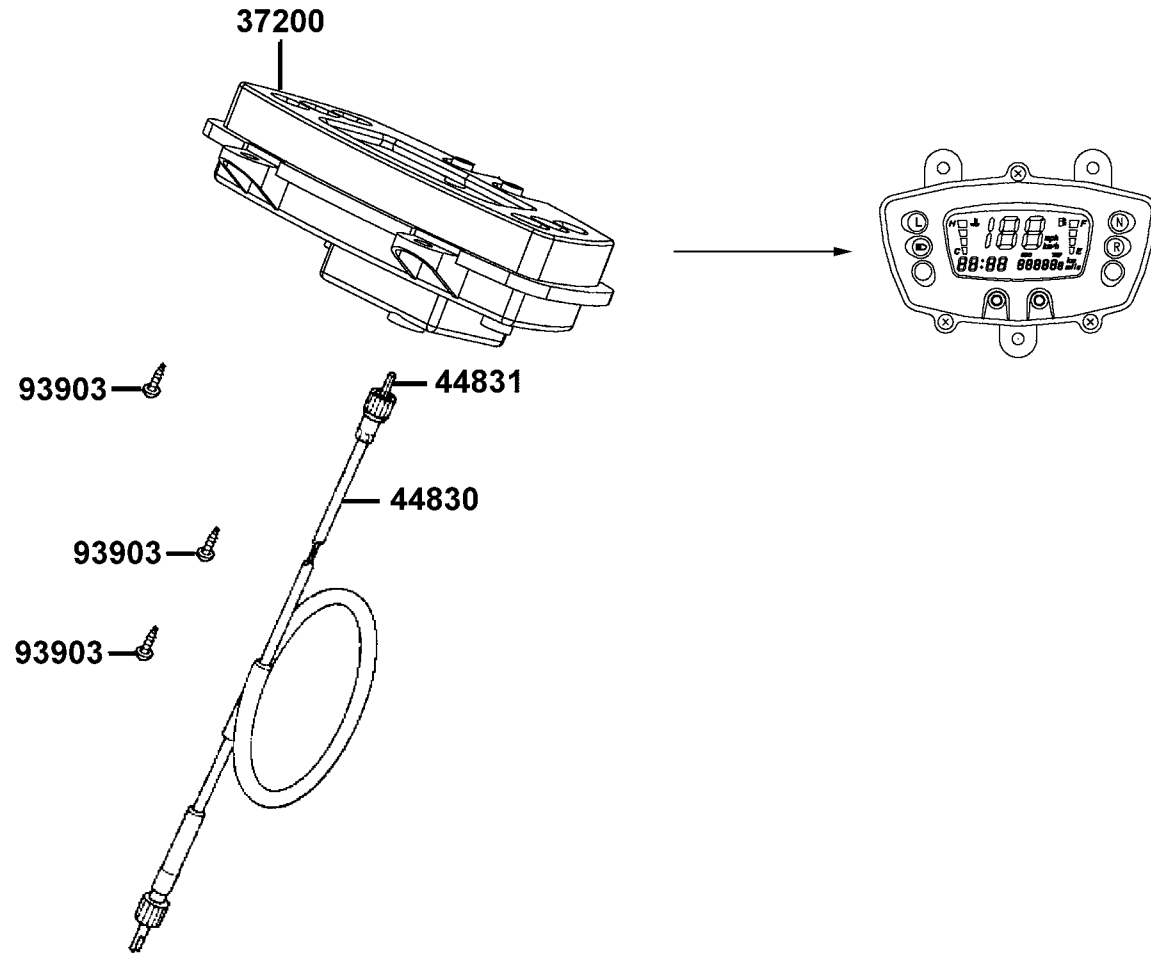
**Head Light**



販賣記號 Sales mark	項目 Ref no	零件號碼 Part no	版數 Ver	英文名稱 Description	中文名稱 Chinese	需要用量 Regd no	建議售價 Ref Price
		33100-LCA5-E00	5	LIGHT ASSY R HEAD	右前燈	1	
		33110-LCA5-E00	0	UNIT HEAD LIGHT R	右前燈殼組	1	
		33120-LCA5-E00	0	UNIT HEAD LIGHT L	左前燈殼組	1	
		33130-LCA5-E00	0	SOCKET COMP	前燈配線	2	
		33150-LCA5-E00	5	LIGHT ASSY L HEAD	左前燈	1	
		34901-KFA6-900	0	BULB HEAD LIGHT	燈泡	2	
		34903-KPCP-900	0	BULB POSITION LIGHT	位置燈燈泡	2	
		90651-LCA5-E00	1	CLIP FENDER	束夾	2	
		93404-06016-06	0	BOLT WASHER 6*16	螺絲 6*16	2	
		93903-35260	0	SCREW TAPPING 5*12	螺絲 5*12	6	

**F 02**

**Speed Meter**

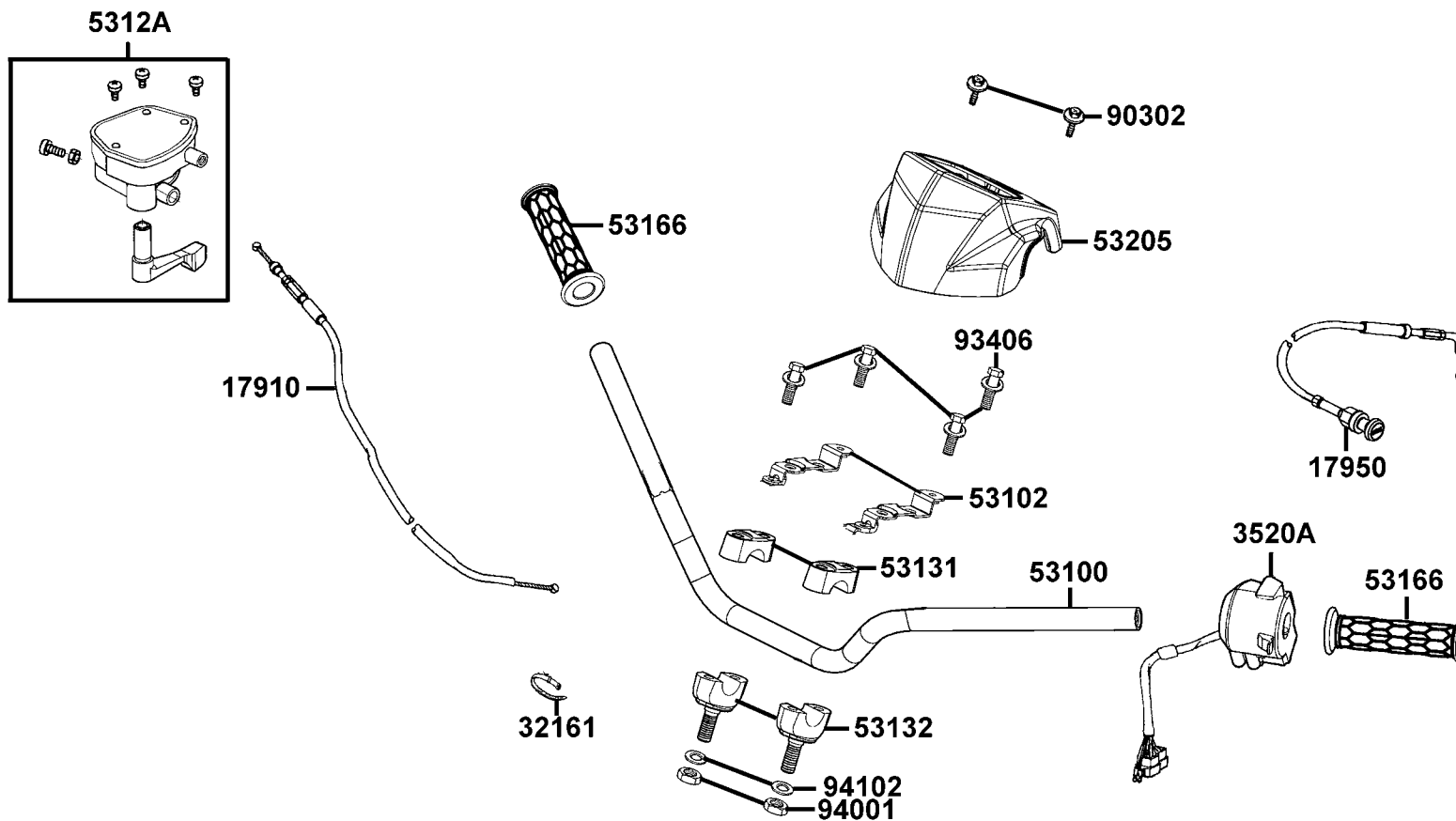




販賣記號 Sales mark	項目 Ref no	零件號碼 Part no	版數 Ver	英文名稱 Description	中文名稱 Chinese	需要用量 Regd no	建議售價 Ref Price
		37200-LCD9-90A	2	METER ASSY SPDMT	儀表	1	
		44830-LBA7-E00	2	CABLE COMP SPDMT	儀表導線	1	
		44831-KFA6-900	0	CABLE INNER	儀表內線	1	
		93903-35260	0	SCREW TAPPING 5*12	螺絲 5*12	3	

# F 03

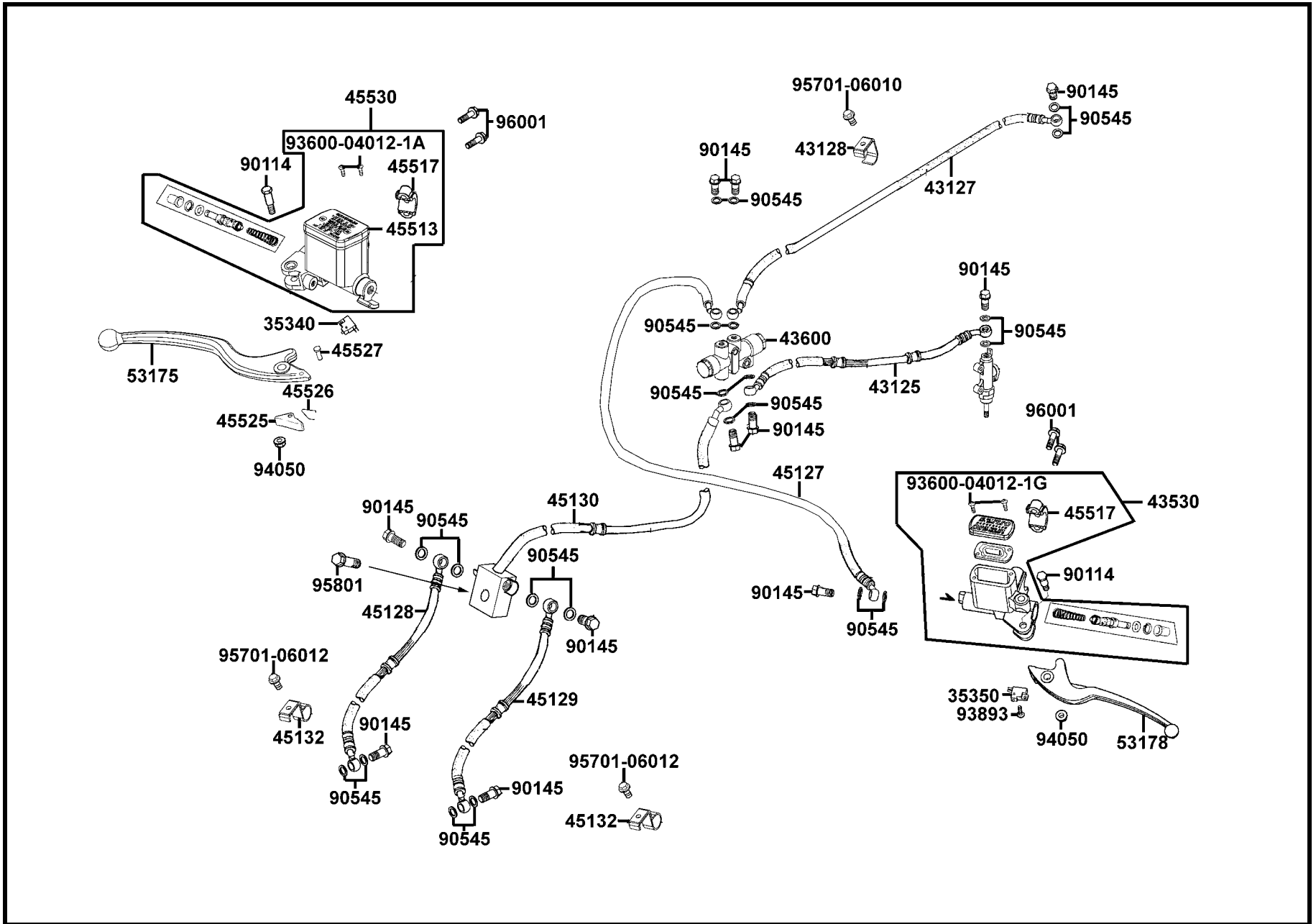
# Handle Steering



販賣記號 Sales mark	項目 Ref no	零件號碼 Part no	版數 Ver	英文名稱 Description	中文名稱 Chinese	需要用量 Regd no	建議售價 Ref Price
		17910-LEC1-E00	1	CABLE COMP THROT	節流導線	1	
		17950-LDE9-E00	3	CABLE COMP CHOKE	阻風門導線	1	
		32161-4D04-001	2	BAND WIRE HARNESS B1	配線夾	1	
		3520A-LDF3-900	0	SW ASSY LH HANDLE COMP	手柄左開關組	1	
**		53100-LCA5-900	1	HANDLE PIPE STRG	轉向手柄	1	
		53102-LBA7-900	1	STAY HANDLE COVER	轉向手柄蓋支架	2	
		5312A-LBA7-900	6	LEVER ASSY THROT	節流拉桿組	1	
		53131-4K39-001	0	HOLDER HANDLE PIPE	手柄上固定座	2	
		53132-LLB1-900	6	HOLDER UNDER HANDLE PIPE	手柄下固定座	2	
		53166-KEC5-001	1	GRIP HANDLE	手柄橡皮套	2	
**		53205-LCA5-E00	3	COVER HANDLE	轉向手柄蓋	1	
		90302-GFY6-901	1	BOLT-WASH 5*12	螺絲 5*12	2	
		93406-LLB1-900	0	BOLT-WASH 8*35	螺絲 8*35	4	
		94001-10080-0S	0	NUT HEX 10MM	螺帽 10MM	2	
		94102-10800	0	WASHER PLAIN 10MM	華司 10MM	2	

# F 04

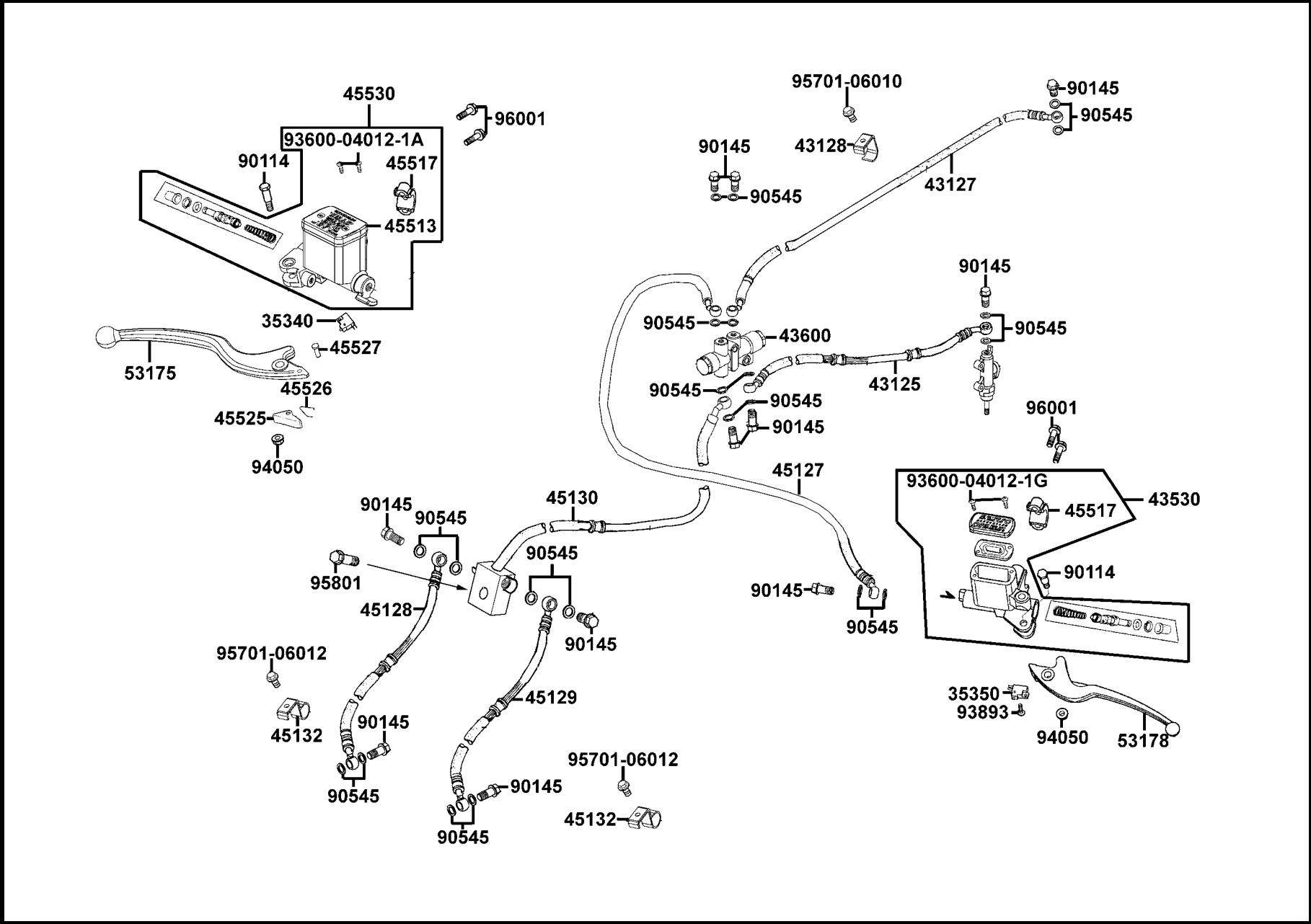
# Master Cylinder



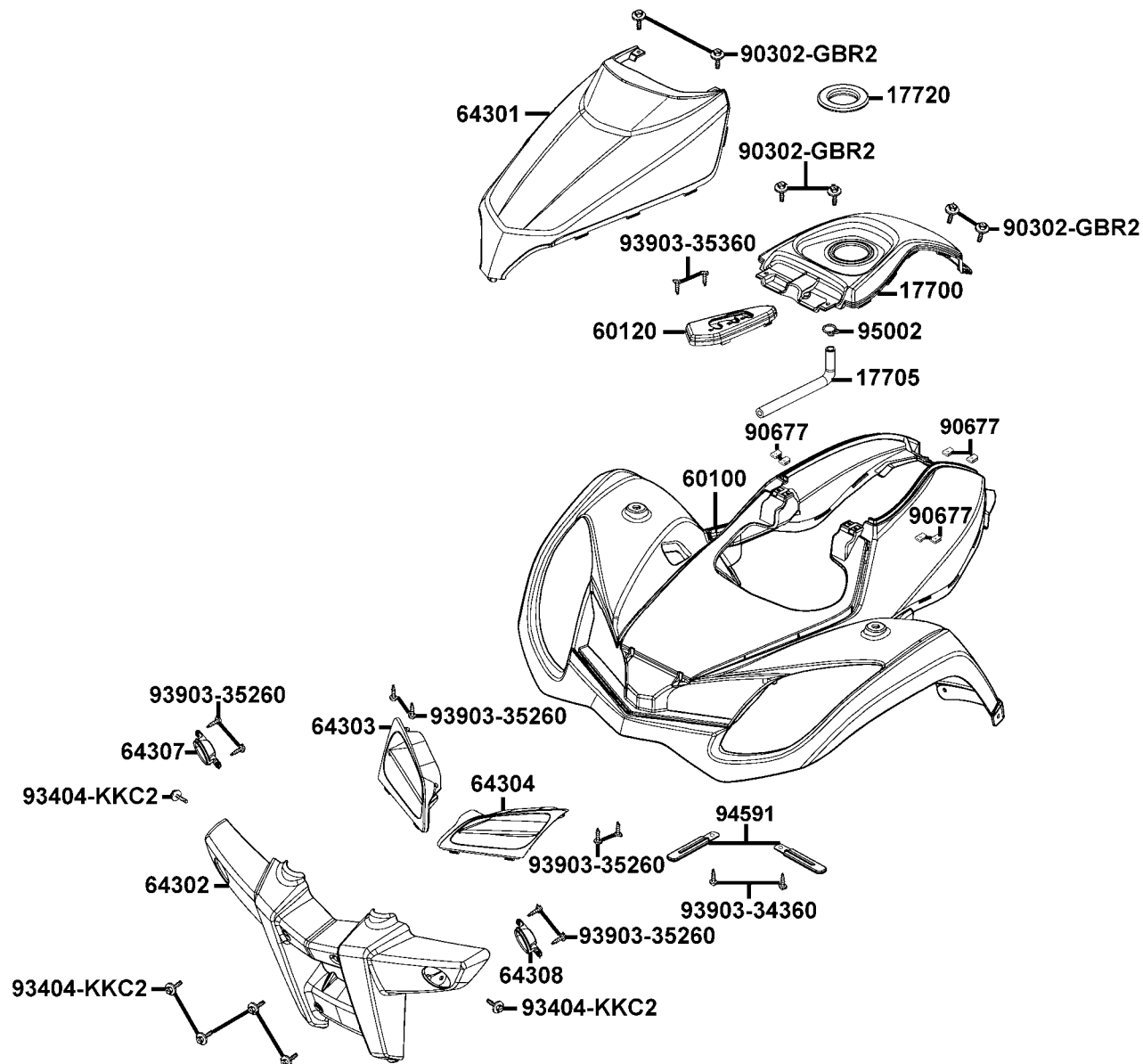
販賣記號 Sales mark	項目 Ref no	零件號碼 Part no	版數 Ver	英文名稱 Description	中文名稱 Chinese	需要用量 Regd no	建議售價 Ref Price
		35340-LBA7-900	1	SW ASSY FR STOP	煞車燈前置開關	1	
		35350-KNBN-901	0	SW ASSY RR STOP	煞車燈後置開關	1	
		43125-LCD9-E00	2	HOSE COMP RR BRK	煞車油管	1	
		43127-LCD9-E00	3	HOSE COMP RR BRK	後煞車油管前段	1	
		43128-LBA7-900	1	CLAMPER RR BRAKE HOSE	後煞車油管夾	1	
		43530-KKC4-305	0	CYLINDER SET RR MASTER	後煞車主油缸	1	
		43600-LDE9-E00	2	PGV ASSY	壓力控制閥	1	
		45127-LDE9-900	1	HOSE ASSY RR BRK	後煞車油管	1	
		45128-LBA7-900	3	HOSE ASSY FR(C/P R) BRK	右前煞車油管	1	
		45129-LBA7-900	3	HOSE ASSY FR(C/P L) BRK	左前煞車油管	1	
		45130-LBA7-900	3	HOSE ASSY C/P FR BRK	前煞車油管	1	
		45132-LBA7-900	1	CLAMPER FR BRAKE HOSE	前煞車油管夾	2	
		45513-KKC4-900	0	CAP M/C	煞車主油缸蓋	1	
		45517-KFAF-910	0	HOLDER M/C	主油缸固定座	2	
		45525-LBA7-900	0	STOPPER	手柄拉桿固定器	1	
		45526-LBA7-900	0	SPRING	彈簧	1	
		45527-LBA7-900	0	PIN PARK	固定銷	1	
		45530-LBA7-305	0	CYLINDER SET FR	前煞車主油缸	1	
		53175-LBA7-900	0	LEVER R STRG HNDL	手柄右拉桿	1	
**		53178-KFC8-E10	0	LEVER L STRG HANDLE	手柄左拉桿	1	

**F 04**

**Master Cylinder**



販賣記號 Sales mark	項目 Ref no	零件號碼 Part no	版數 Ver	英文名稱 Description	中文名稱 Chinese	需要用量 Regd no	建議售價 Ref Price
		90114-1F66-007	2	BOLT HANDLE LEVER	右拉桿固定螺絲	2	
		90145-MKS9-61A-06	1	OIL BOLT 10*22	螺絲 10*22	11	
		90545-3L00-001	2	WASHER OIL BOLT	華司	22	
		93600-04012-1A	0	SCREW FLAT 4*12	螺絲 4*12	2	
		93600-04012-1G	0	SCREW FLAT 4*12	螺絲 4*12	2	
		93893-04012-18	0	SCREW WASHER 4*12	螺絲 4*12	1	
		94050-06060	0	NUT FLANGE 6MM	螺帽 6MM	2	
		95701-06010-06	1	BOLT FLANGE 6*10	螺絲 6*10	1	
		95701-06012-06	1	BOLT FLANGE 6*12	螺絲 6*12	2	
		95801-08035-06	1	BOLT FLANGE 8*35	螺絲 8*35	1	
		96001-06020-06	0	BOLT FLANGE SH 6*20	螺絲 6*20	4	

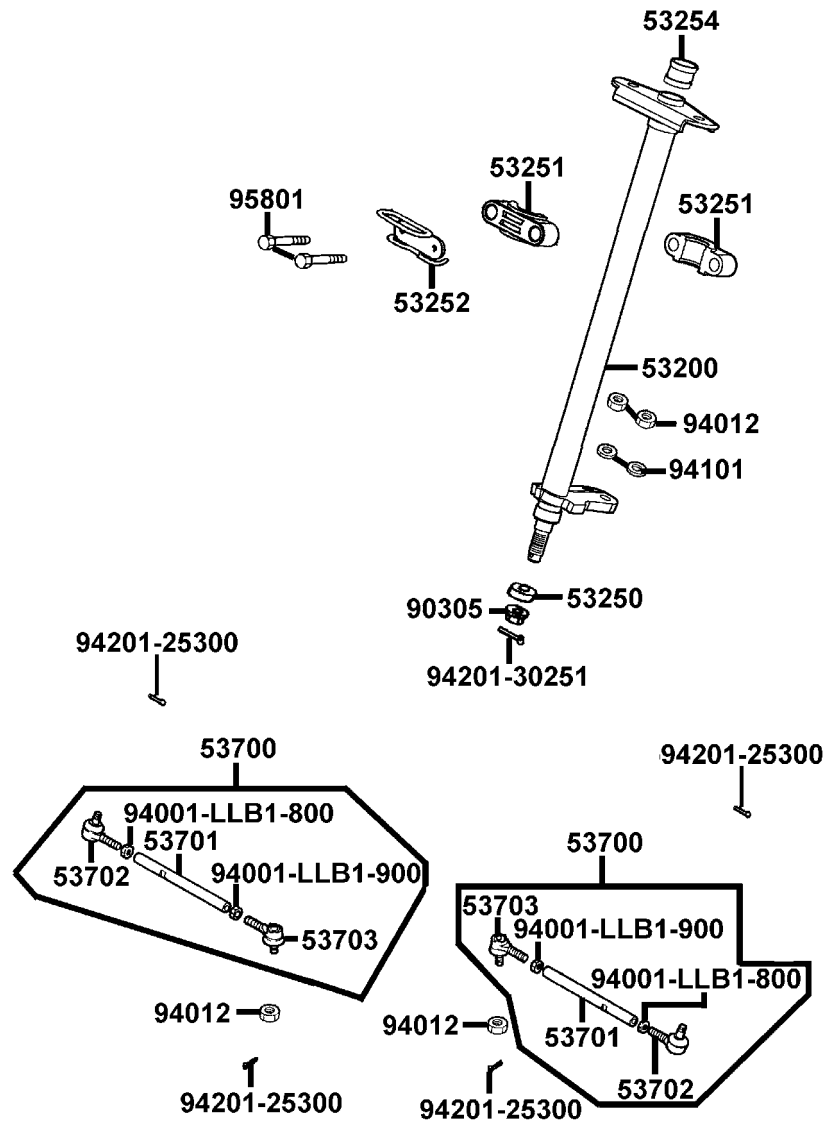
**F 05****Fender Front**



販賣記號 Sales mark	項目 Ref no	零件號碼 Part no	版數 Ver	英文名稱 Description	中文名稱 Chinese	需要用量 Regd no	建議售價 Ref Price
**		17700-LCA5-E00	3	COVER TANK	油箱護蓋	1	
		17705-LCA5-E00	1	TUBE ASSY FUEL DRAIN	溢流管	1	
		17720-LBA7-900	1	TRAY TANK COVER	油箱托盤	1	
**		60100-LCA5-E00	7	FENDER FRONT	前擋泥板	1	
**		60120-LCD9-E00	5	GUIDE COVER CHANGE HANDLE	排檔桿檔位導蓋	1	
**		64301-LCA5-E00	2	COVER FRONT	前護蓋	1	
**		64302-LCA5-E00	4	BUMPER FRONT	前保險桿	1	
**		64303-LCA5-E00	2	GRILL R FENDER	前擋泥板右隔窗	1	
**		64304-LCA5-E00	2	GRILL L FENDER	前擋泥板左隔窗	1	
		64307-LCA5-900	2	CAP R FR BUMPER	前保險桿右小蓋	1	
		64308-LCA5-900	2	CAP L FR BUMPER	前保險桿左小蓋	1	
		90302-GBR2-001	1	BOLT WASH FRONT	螺絲 5*16	6	
		90677-GAR1-004	1	NUT CLIP 5MM	螺帽 5MM	6	
		93404-KKC2-900-06	1	BOLT WASH 6*16	螺絲 6*16	6	
		93903-34360	0	SCREW TAPPING 4*12	螺絲 4*12	2	
		93903-35260	0	SCREW TAPPING 5*12	螺釘 5*12	8	
		93903-35360	0	SCREW TAPPING 5*16	螺釘 5*16	2	
		94591-27000	0	CLIP 2*70	夾子	2	
		95002-02100	0	CLIP B10 TUBE	管夾	1	

# F 06

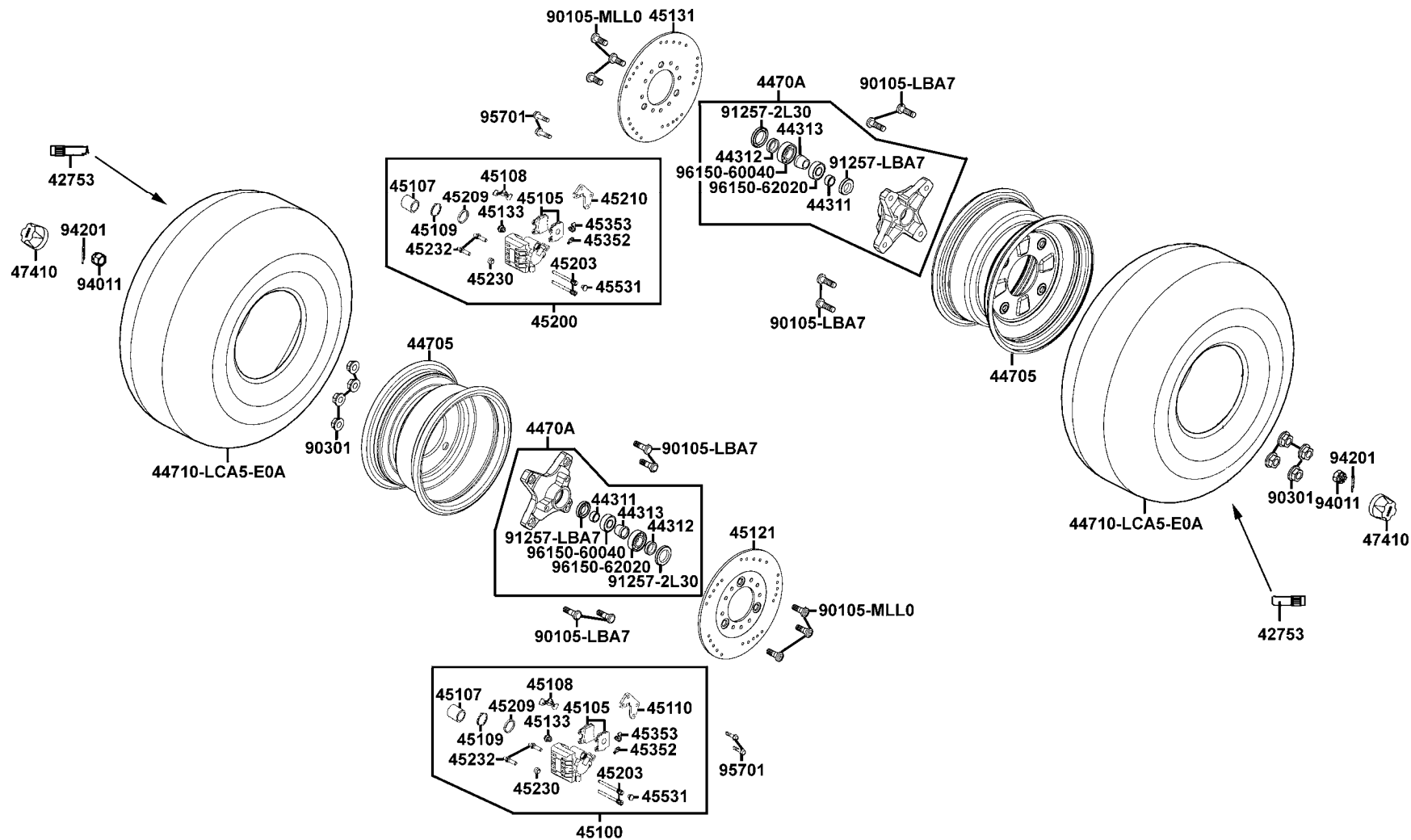
# Stem Steering



販賣記號 Sales mark	項目 Ref no	零件號碼 Part no	版數 Ver	英文名稱 Description	中文名稱 Chinese	需要用量 Regd no	建議售價 Ref Price
		53200-LBA7-900	7	STEM COMP STEERING	轉向主桿	1	
		53250-LBA7-900	2	COLLAR STEM BOTTOM	套筒	1	
		53251-LCA5-E00	1	HOLDER STEM STEERING	轉向主桿固定座	2	
		53252-LBA7-900	4	CLAMPER STEM HOLDER	束夾	1	
		53254-LBA7-900	3	SLEEVE STEM	轉向套子	1	
		53700-LCA5-E00	4	ROD ASSY STEERING	轉向連接桿組	2	
		53701-LCA5-E00	1	ROD COMP STEERING	轉向連接桿	2	
		53702-LLB1-900	8	JOINT R BALL	右球型接頭	2	
		53703-LLB1-900	8	JOINT L BALL	左球型接頭	2	
		90305-MAA1-004-SY	0	U NUT FLANGE 14MM	螺帽 14MM	1	
		94001-LLB1-800	2	NUT HEX 10MM	螺帽 10MM	2	
		94001-LLB1-900	2	NUT HEX LH 10MM	左牙螺帽 10MM	2	
		94012-LLB1-900	1	NUT CASTLE 10MM	螺帽 10MM	4	
		94101-10800	0	WASHER PLAIN 10 MM	墊圈	2	
		94201-25300	0	PIN SPLIT 2.5*30	插銷 2.5*30	4	
		94201-30250	0	PIN SPLIT 3*25	插銷 3*25	1	
		95801-08060-06	0	BOLT FLANGE 8*60	螺絲 8*60	2	

# F 07

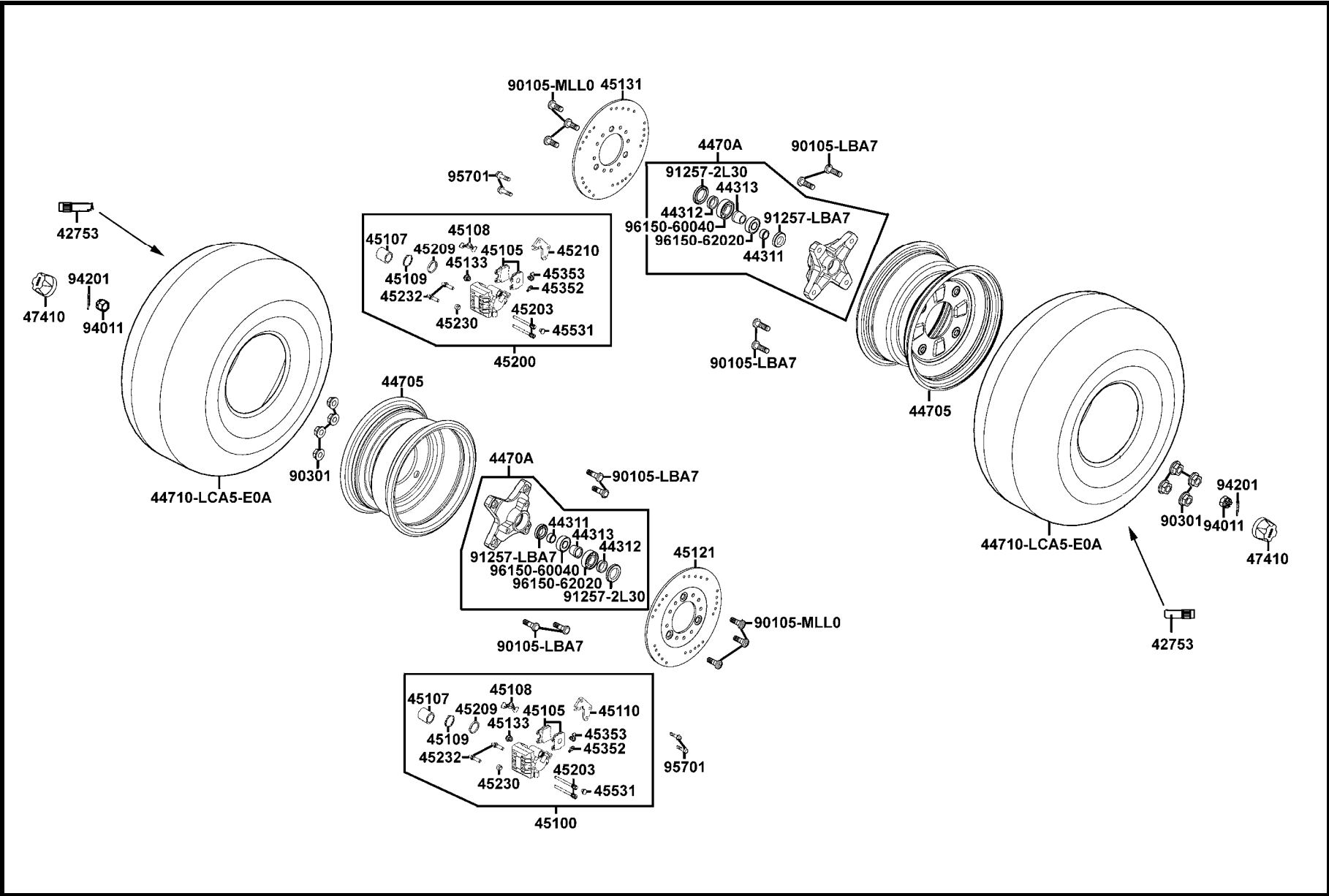
# Front Wheel



販賣記號 Sales mark	項目 Ref no	零件號碼 Part no	版數 Ver	英文名稱 Description	中文名稱 Chinese	需要用量 Regd no	建議售價 Ref Price
		42753-KNBN-90B	1	VALVE RIM (TR 412)	打氣嘴	2	
		44311-LBA7-900	1	COLLAR FR WHEEL SIDE A	前輪轂邊套筒 A	2	
		44312-LBA7-900	1	COLLAR FR WHEEL SIDE B	前輪轂邊套筒 B	2	
		44313-LBA7-900	1	COLLAR FR WHEEL DIST	前輪轂套筒	2	
**		44705-LCA5-E00	3	RIM FR WHEEL	前輪圈	2	
		4470A-LDE9-900	1	CONNECTOR ASSY FR	前輪轂連接器組	2	
		44710-LCA5-E0A	2	TIRE ASSY FR	前輪胎	2	
**		45100-LBA7-900	3	CALIPER ASSY FR R	右前煞車卡鉗	1	
		45105-LBA7-305	0	PAD SET	前煞車摩擦板組	2	
		45107-LBA7-900	0	PISTON	卡鉗活塞	2	
		45108-LBA7-900	0	SPRING PAD	摩擦板彈簧	2	
		45109-LBA7-900	0	DUST SEAL	防塵封	2	
		45110-LBA7-305	0	BRACKET R	右煞車卡鉗托架	1	
		45121-LBA7-900	2	DISK FR BRK R	右前煞車圓碟	1	
		45131-LBA7-900	2	DISK FR BRK L	左前煞車圓碟	1	
		45133-LBA7-900	0	BOOT A	襯套 A	2	
**		45200-LBA7-900	3	CALIPER ASSY FR L	左前煞車卡鉗	1	
		45203-LBA7-900	0	PIN HANGER	吊架銷	4	
		45209-LBA7-900	0	SEAL PISTON	油封	2	
		45210-LBA7-305	0	BRACKET L	左煞車卡鉗托架	1	

# F 07

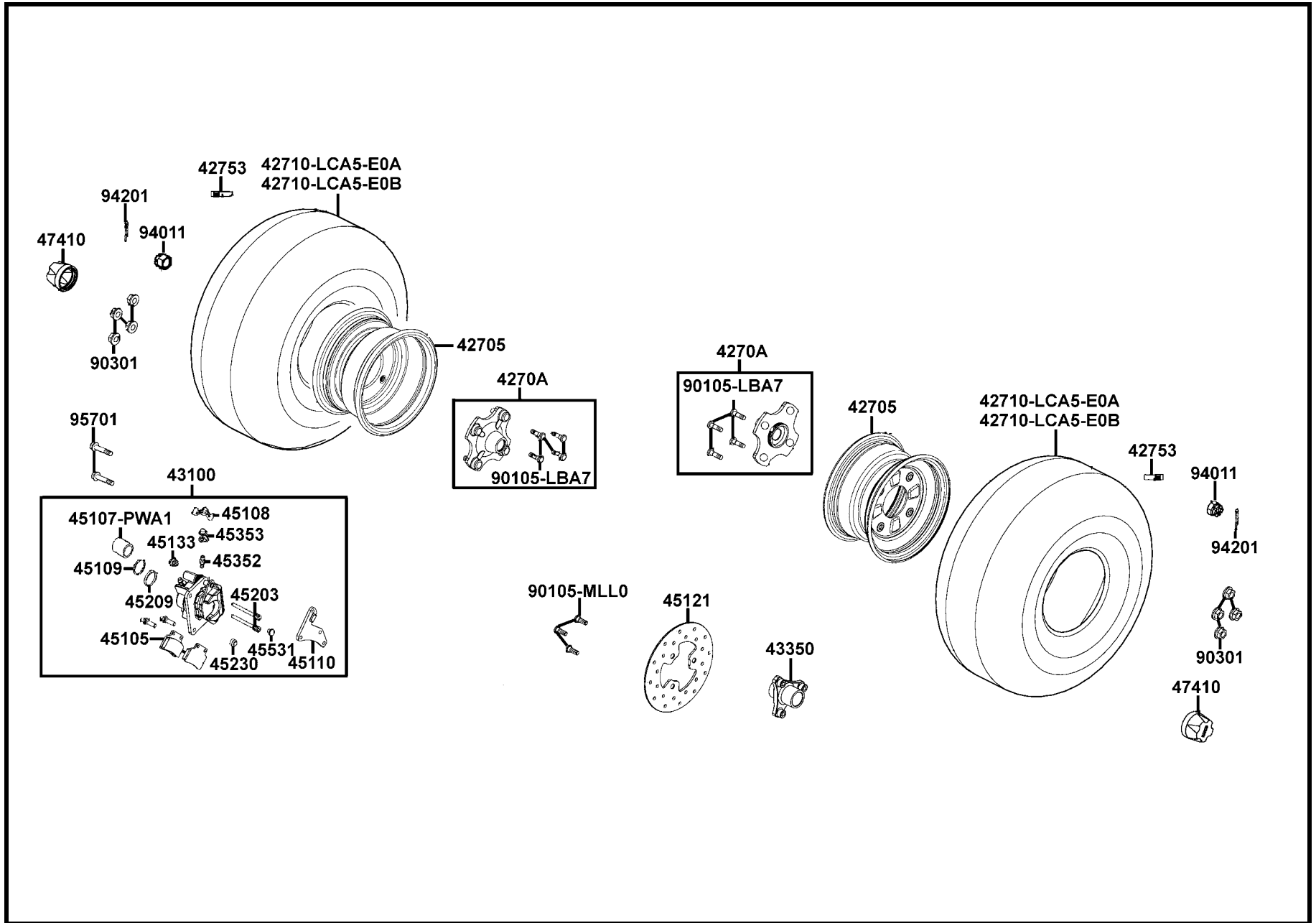
# Front Wheel



販賣記號 Sales mark	項目 Ref no	零件號碼 Part no	版數 Ver	英文名稱 Description	中文名稱 Chinese	需要用量 Regd no	建議售價 Ref Price
		45230-LBA7-900	0	BUSH PIN	襯套	2	
		45352-LBA7-900	0	BLEEDER	加油嘴	2	
		45353-LBA7-900	0	CAP BLEEDER	加油嘴蓋	2	
		45531-LBA7-900	0	PLUG	塞蓋	2	
		47410-LCA5-E00	2	CAP WHEEL SHAFT	輪軸防塵蓋	2	
		90105-LBA7-900	1	BOLT CONNECTOR	螺絲	8	
		90105-MLL0-731	1	BOLT RR DISK 8*24	螺絲 8*24	6	
		90301-LBA7-900	1	NUT WHEEL 10*14	輪子螺帽	8	
		91257-2L30-006	0	OIL SEAL 28*42*7	油封 28*42*7	2	
		91257-LBA7-900	1	OIL SEAL 20*35*7	油封 20*35*7	2	
		94011-LLB1-900	4	NUT FLANGE CASTLE 14MM	螺帽 14MM	2	
		94201-30300	0	PIN SPLIT 3*30	插銷 3*30	2	
		95701-08020-08	0	BOLT FLANGE 8*20	螺絲 8*20	4	
		96150-60040-10	0	BEARING BALL RADIAL 6004	軸承 6004	2	
		96150-62020-10	0	BEARING BALL RADIAL 6202	軸承 6202	2	

# F 08

# Rear Wheel

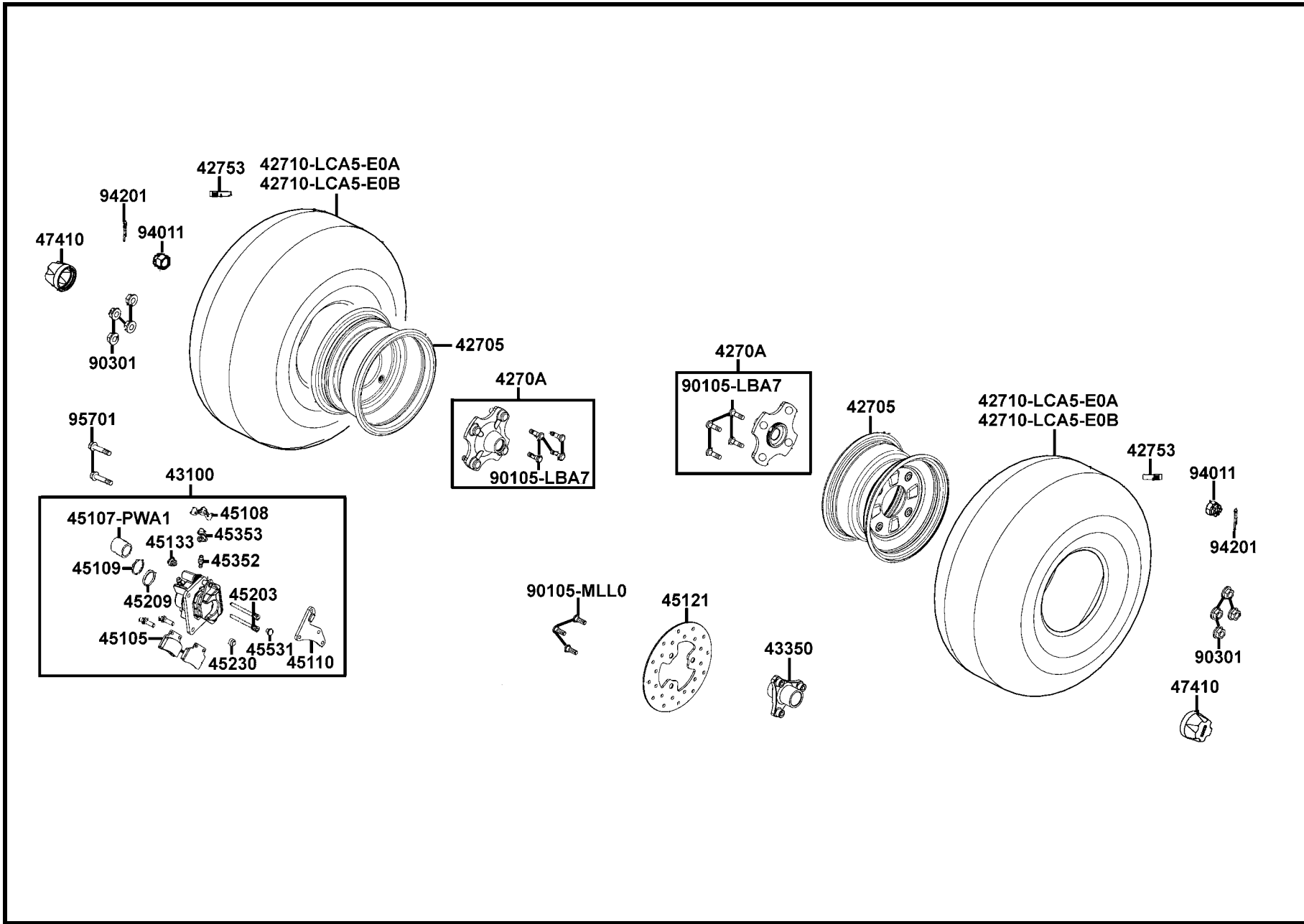




販賣記號 Sales mark	項目 Ref no	零件號碼 Part no	版數 Ver	英文名稱 Description	中文名稱 Chinese	需要用量 Regd no	建議售價 Ref Price
**		42705-LCA5-E00	4	RIM RR WHEEL	後輪圈	2	
		4270A-LCA5-E00	4	HUB ASSY RR WHEEL	後輪載連接器組	2	
		42710-LCA5-E0A	2	TIRE ASSY RR	後輪胎	2	
		42710-LCA5-E0B	1	TIRE ASSY RR	後輪胎	2	
		42753-KNBN-90B	1	VALVE RIM (TR412)	打氣嘴	2	
**		43100-PWA1-900	3	CALIPER ASSY RR	後煞車卡鉗	1	
		43350-LDE9-E00	1	HUB BRAKE DISK	後煞車圓碟殼	1	
		45105-PWA1-305	0	PAD SET	煞車摩擦板組	1	
		45107-PWA1-900	0	PISTON	卡鉗活塞	1	
		45108-LBA7-900	0	SPRING PAD	摩擦板彈簧	2	
		45109-PWA1-900	0	DUST SEAL	防塵油封	1	
		45110-LDE9-305	0	BRACKET RR	後煞車卡鉗托架	1	
		45121-LBD5-E00	2	DISK FR BRK	右前煞車圓盤	1	
		45133-LBA7-900	0	BOOT A	襯套 A	1	
		45203-LBA7-900	0	PIN HANGER	吊架銷	2	
		45209-PWA1-900	0	SEAL PISTON	活塞油封	1	
		45230-LBA7-900	0	BUSH PIN	襯套	1	
		45352-LBA7-900	0	BLEEDER	加油嘴	1	
		45353-LBA7-900	0	CAP BLEEDER	加油嘴蓋	1	
		45531-LBA7-900	0	PLUG	塞蓋	1	

# F 08

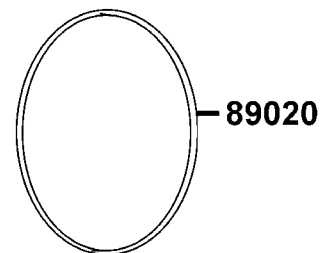
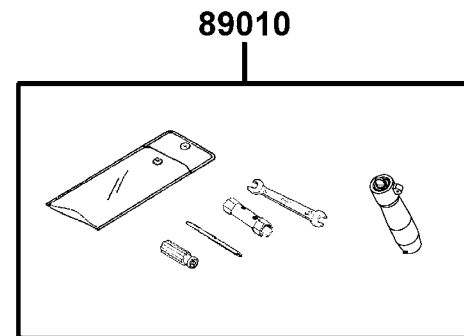
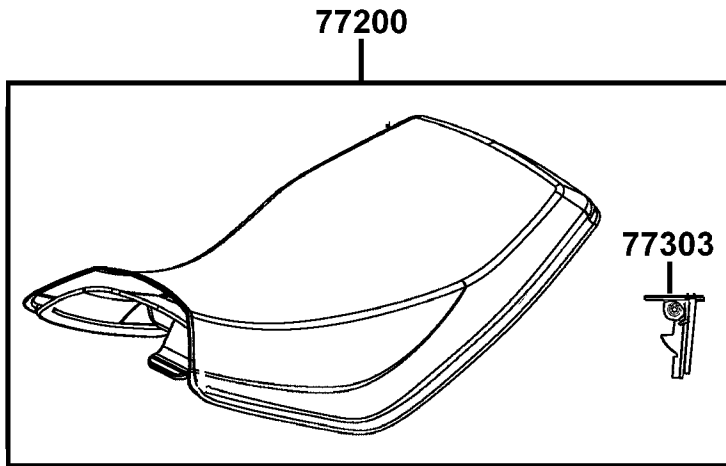
# Rear Wheel



販賣記號 Sales mark	項目 Ref no	零件號碼 Part no	版數 Ver	英文名稱 Description	中文名稱 Chinese	需要用量 Regd no	建議售價 Ref Price
		47410-LCA5-E00	2	CAP WHEEL SHAFT	輪軸防塵蓋	2	
		90105-LBA7-900	1	BOLT CONNECTOR	連接器螺絲	8	
		90105-MLL0-731	1	BOLT RR DISK 8*24	螺絲 8*24	3	
		90301-LBA7-900	1	NUT WHEEL	輪子螺帽	8	
		94011-LBA7-900	1	NUT FLANGE CASTLE 16MM	螺帽 16MM	2	
		94201-30300	0	PIN SPLIT 3*30	插銷 3*30	2	
		95701-08020-06	1	BOLT FLANGE 8*20	螺絲 8*20	2	

**F 09**

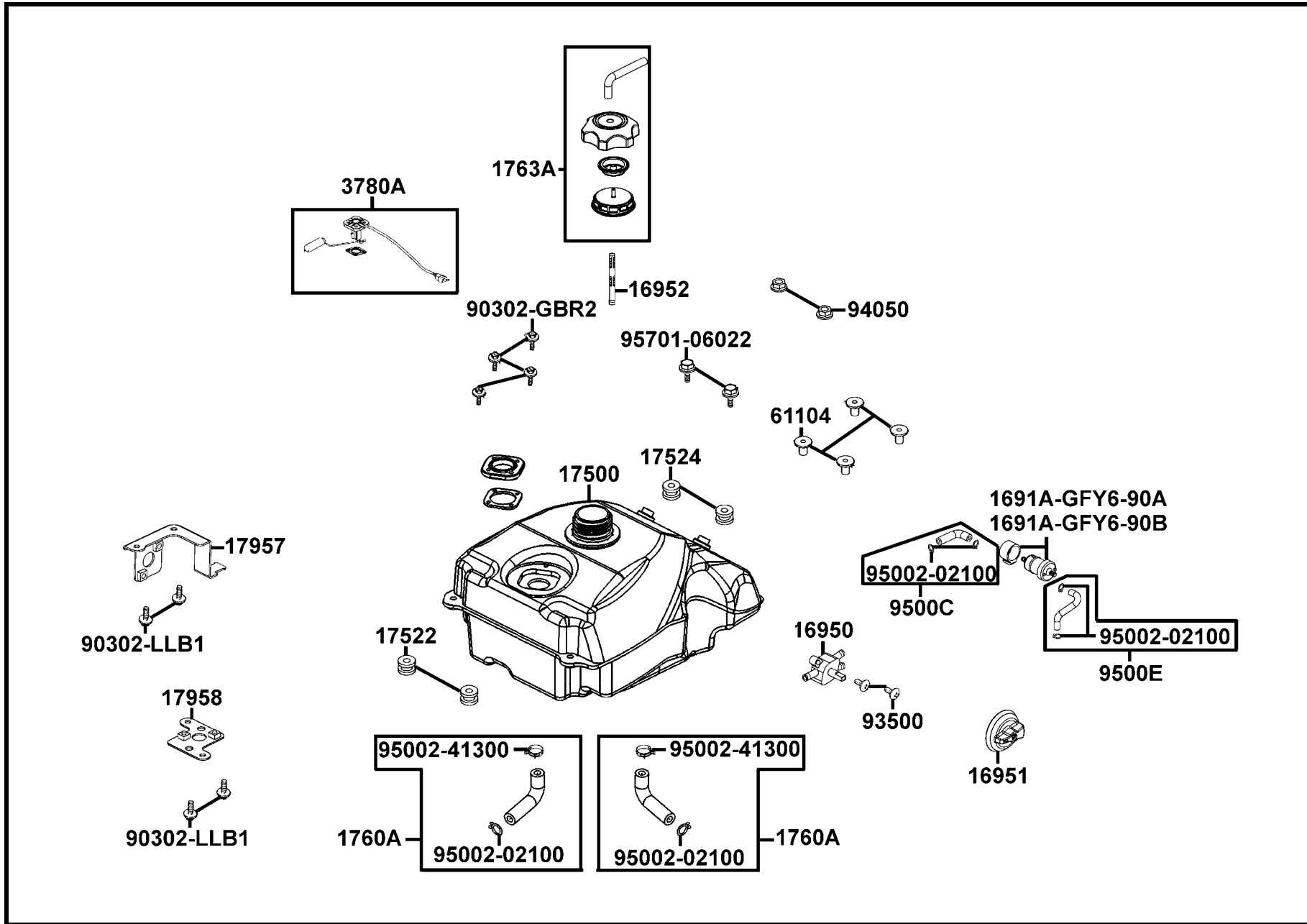
**Seat**



販賣記號 Sales mark	項目 Ref no	零件號碼 Part no	版數 Ver	英文名稱 Description	中文名稱 Chinese	需要用量 Regd no	建議售價 Ref Price
**		77200-LCA5-E00	1	SEAT ASSY	座墊	1	
		77303-LLB1-900	2	HOOK ASSY SEAT LOCK	座墊鉤	1	
		89010-LBA7-900	2	TOOL SET	工具包	1	
		89020-KKC4-900	1	BAND TOOL SET	束帶	1	

# F10

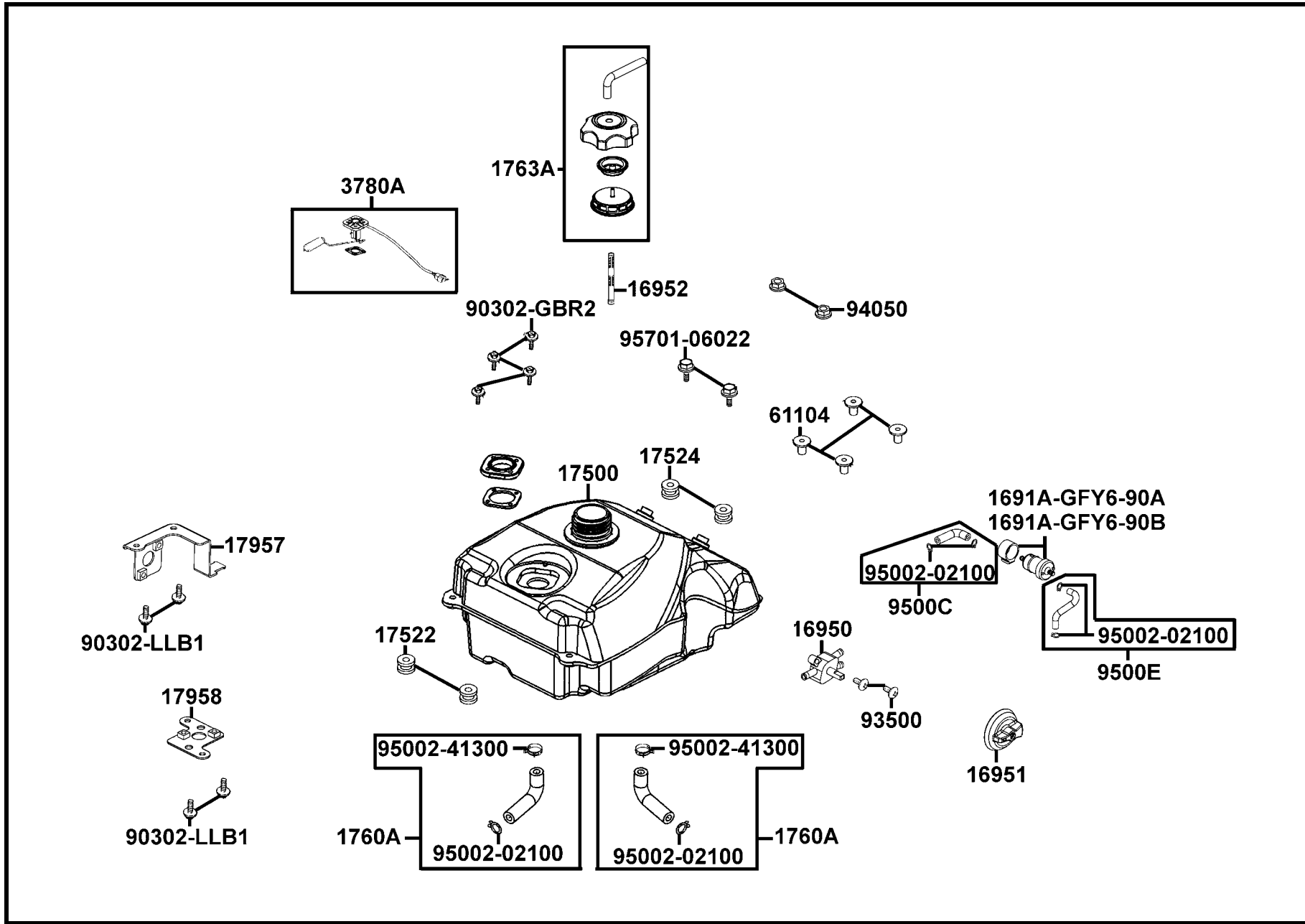
# Fuel Tank



販賣記號 Sales mark	項目 Ref no	零件號碼 Part no	版數 Ver	英文名稱 Description	中文名稱 Chinese	需要用量 Regd no	建議售價 Ref Price
		1691A-GFY6-90A	3	STRAINER ASSY FUEL	濾油器組	1	
		1691A-GFY6-90B	2	STRAINER ASSY FUEL	濾油器組	1	
		16950-LBA7-900	2	COCK FUEL	自動油杯組	1	
		16951-LBA7-900	3	COVER FUEL COCK	油杯護蓋	1	
		16952-LLB1-900	1	SCREEN FUEL STRAINER	過濾器隔板	1	
		17500-LEC1-MY1	1	TANK COMP FUEL	油箱	1	
		17522-LLB1-900	1	RUBBER FUEL TANK	油箱前橡皮	2	
		17524-LLB1-900	1	RR RUBBER FUEL TANK	油箱後橡皮	2	
		1760A-LEC1-MY0	1	TUBE ASSY FUEL TANK	油箱油管	2	
		1763A-LDB5-MY0	1	CAP ASSY FUEL FILLER	油箱蓋	1	
		17957-LEC1-E00	5	STAY FUEL COCK & STRAINER	油杯座	1	
		17958-LEC1-E00	1	STAY A FUEL COCK & STRAINER	支架	1	
		3780A-LCA5-900	0	FUEL UNIT ASSY	汽油量指示浮筒組	1	
		61104-3G57-001	0	COLLAR FR FENDER	前土除套筒	4	
		90302-GBR2-001	1	BOLT WASHER 5*16	螺絲 5*16	4	
		90302-LLB1-E00-06	2	BOLT-WASH 5*12	螺絲 5*12	4	
		93500-05016-1B	0	SCREW PAN 5*16	螺絲 5*16	2	
		94050-06080	0	NUT FLANGE 6MM	螺帽 6MM	2	
		95002-02100	0	CLIP B10 TUBE	管夾	6	
		95002-41300-00	0	CLAMP D13 TUBE	管夾	2	

# F10

# Fuel Tank



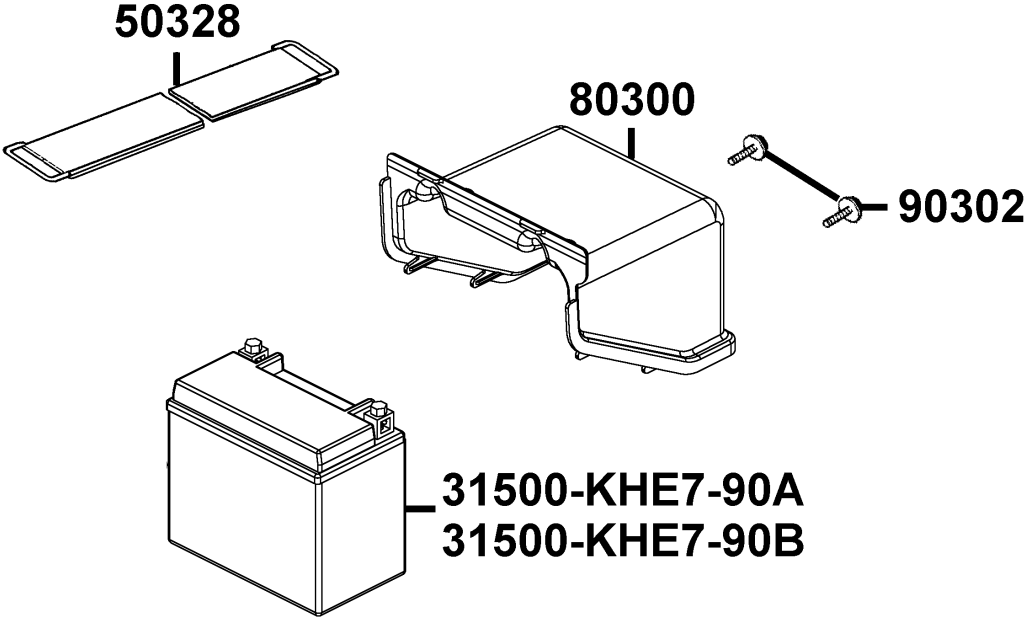


販賣記號	項目	零件號碼	版數	英文名稱	中文名稱	需要用量	建議售價
Sales mark	Ref no	Part no	Ver	Description	Chinese	Regd no	Ref Price
		9500C-LEC1-MY0	1	TUBE ASSY FUEL	油管組	1	
		9500E-LEC1-MY0	1	TUBE ASSY FUEL	油管組	1	
		95701-06022-06	1	BOLT FLANGE 6*22	螺絲 6*22	2	

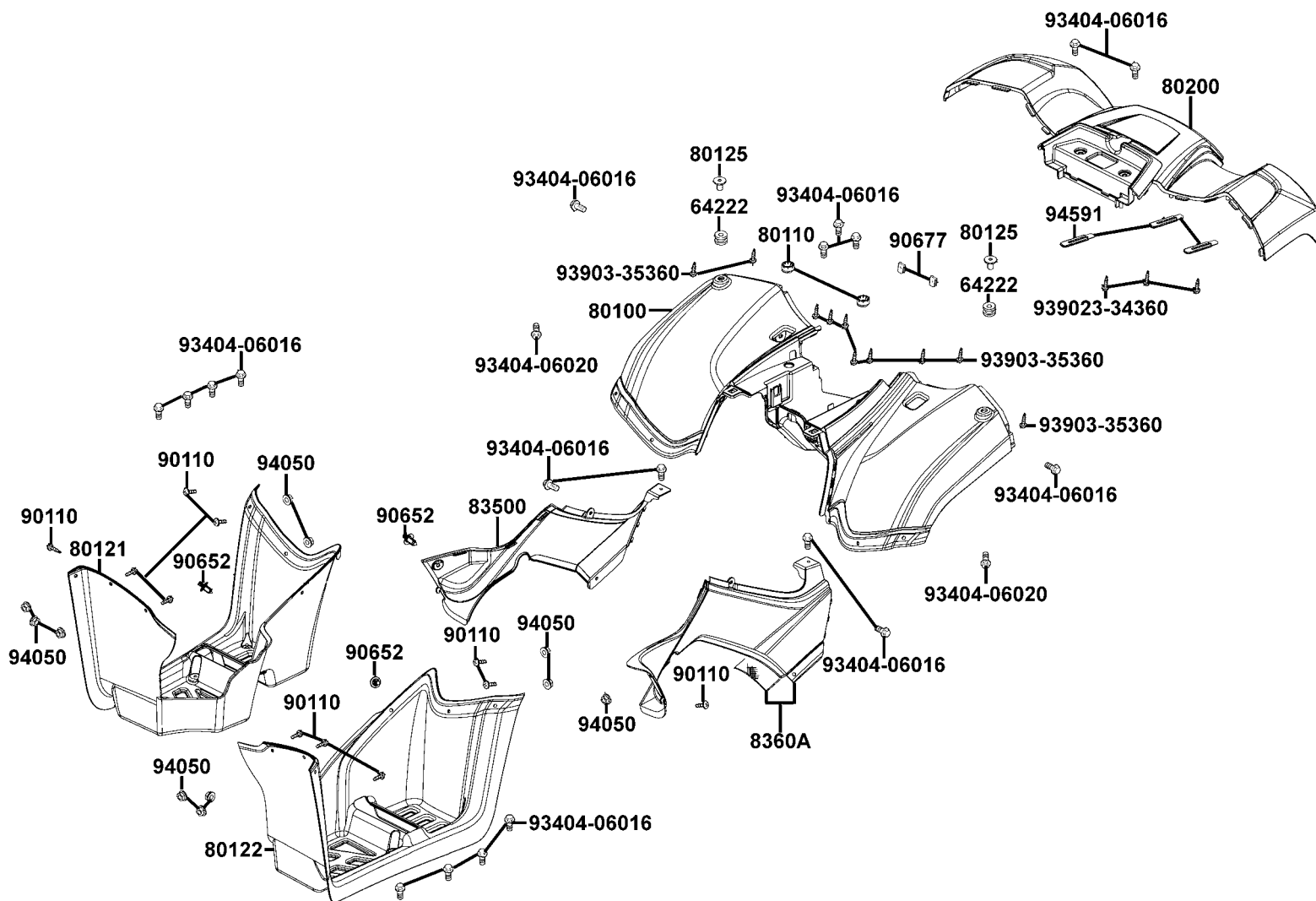
**F10**

**F11**

**Battery**



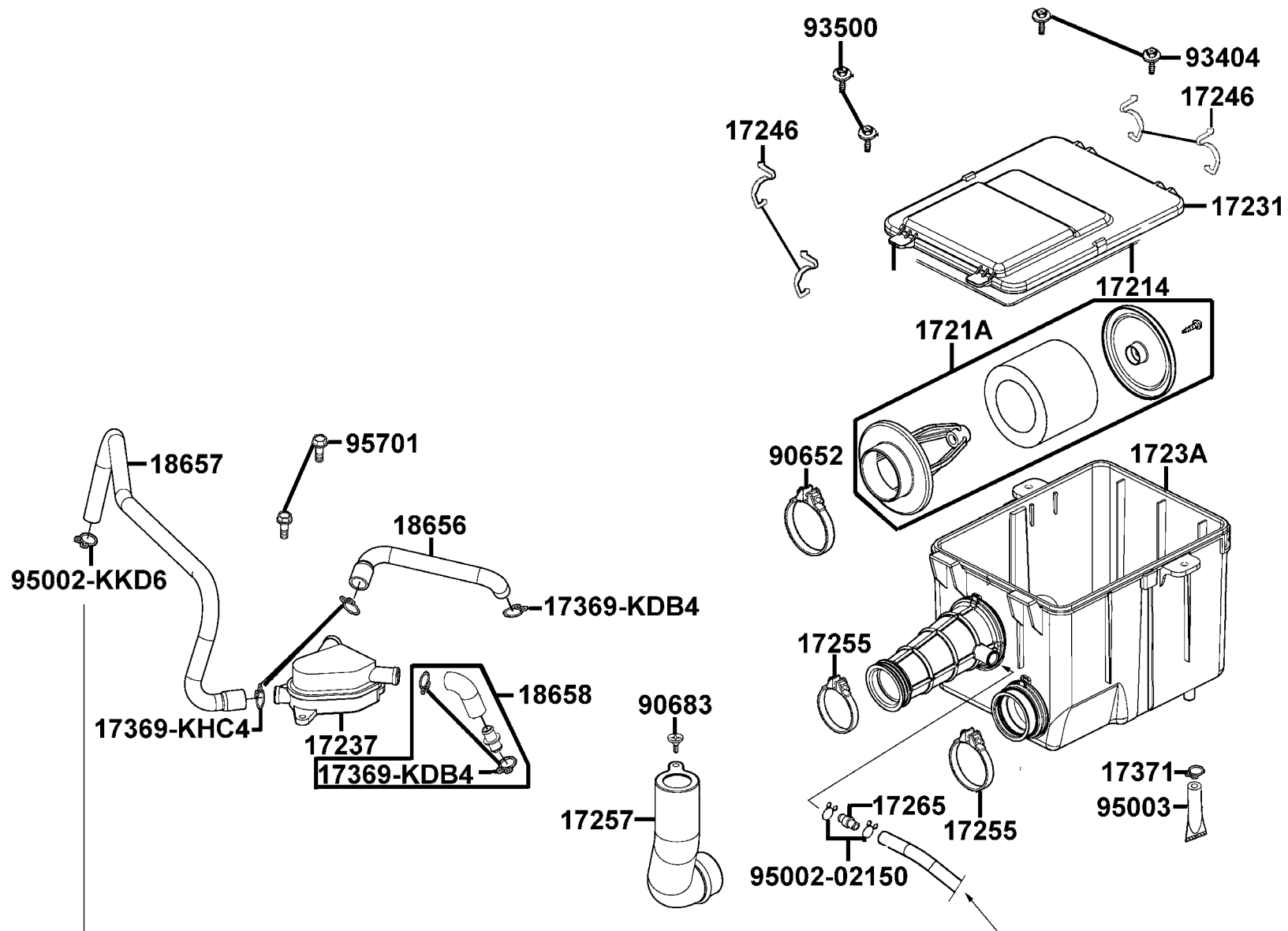
販賣記號 Sales mark	項目 Ref no	零件號碼 Part no	版數 Ver	英文名稱 Description	中文名稱 Chinese	需要用量 Regd no	建議售價 Ref Price
		31500-KHE7-90A	2	BATTERY YTX12-BS	電瓶	1	
		31500-KHE7-90B	2	BATTERY GTX12-BS	電瓶	1	
		50328-LCA5-E00	1	BAND BATTERY	電瓶束帶	1	
**		80300-LCA5-E00	1	COVER BATTERY	電瓶蓋	1	
		90302-LLB1-E00-06	2	BOLT-WASH 5*12	螺絲 5*12	2	

**F12****Tank Cover Luggage Box**

販賣記號 Sales mark	項目 Ref no	零件號碼 Part no	版數 Ver	英文名稱 Description	中文名稱 Chinese	需要用量 Regd no	建議售價 Ref Price
		64222-LLJ3-E00	1	RUBBER WIND SCREEN	遮陽板橡皮	2	
**		80100-LCA5-E00	8	FENDER REAR	後擋泥板	1	
		80110-LBA7-900	1	RUBBER REAR FENDER	後擋泥板橡皮	2	
**		80121-LCA5-E00	4	MUDGUARD R FLOOR	右腳架板	1	
**		80122-LCA5-E00	4	MUDGUARD L FLOOR	左腳架板	1	
		80125-LBD4-900	1	COLLAR FLOOR	套筒	2	
**		80200-LCA5-E00	4	MOLDING RR FENDER	後檔泥板護條	1	
**		83500-LCA5-E00	6	COVER R SIDE	右側蓋	1	
**		8360A-LCA5-E00	3	COVER ASSY L SIDE	左側蓋組	1	
		90110-LLB1-800	2	SCREW SPECIAL 6*16	螺絲 6*16	11	
		90652-LCA4-E00	1	CLIP MUDGUARD	束夾	3	
		90677-GAR1-004	1	NUT CLIP 5MM	彈簧螺帽	2	
		93404-06016-06	0	BOLT WASHER 6*16	螺絲 6*16	17	
		93404-06020-06	1	BOLT WASHER 6*20	螺絲 6*20	2	
		93903-34360	0	SCREW TAPPING 4*12	螺絲 4*12	3	
		93903-35360	0	SCREW TAPPING 5*16	螺絲 5*16	10	
		94050-LDE9-E00	1	NUT LOCK	尼龍螺帽	11	
		94591-27000	0	CLIP 2*70	夾子 2*70	3	

# F13

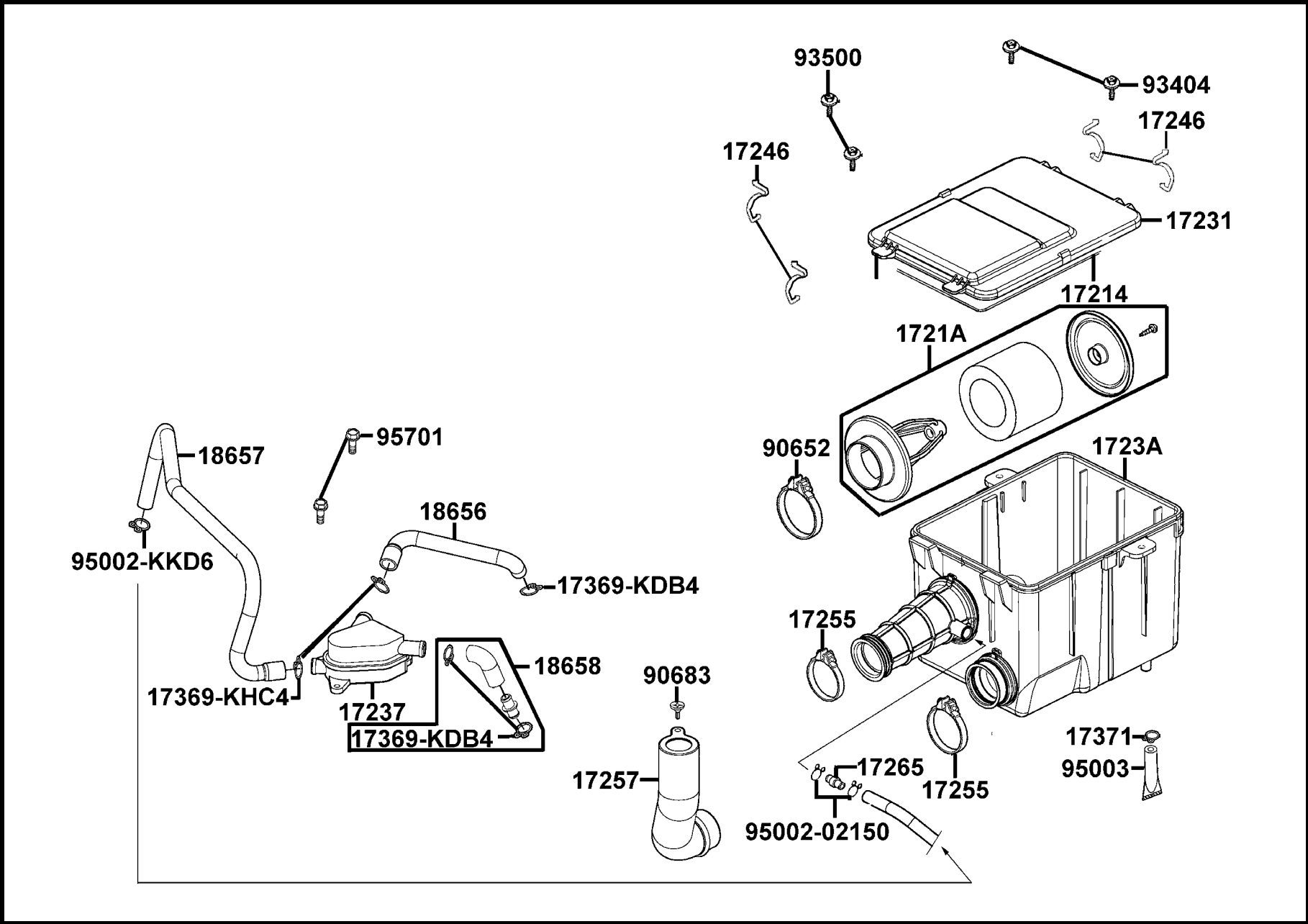
# Air Cleaner



販賣記號 Sales mark	項目 Ref no	零件號碼 Part no	版數 Ver	英文名稱 Description	中文名稱 Chinese	需要用量 Regd no	建議售價 Ref Price
		17214-LBA7-900	2	SEAL AIR/C COVER	空氣濾清器蓋防水封	1	
		1721A-LBA7-900	3	ELEMENT COMP AIR/C	空氣濾清器濾芯	1	
		17231-LBA7-900	4	COVER AIR/C	空氣濾清器蓋	1	
		17237-KED9-900	3	OIL CATCH ASSY	補強油管	1	
		1723A-LEC1-E00	0	CASE ASSY AIR/C	空氣濾清器箱	1	
		17246-LBA7-900	2	CLAMP AIR/C	空氣濾清器束帶	4	
		17255-KKAK-900	0	BAND A CONNECTING TUBE	連接管束帶	2	
		17257-LBA7-900	4	DUCT A AIR/C CASE	空氣導管	1	
		17265-LBA7-900	1	JOINT BLOW BY	空氣濾清器箱接頭	1	
		17369-KDB4-671	1	CLIP BREATHER TUBE	通氣管夾	3	
		17369-KHC4-900	0	CLIP BREATHER TUBE	通氣管夾	2	
		17371-1D74-671	0	CLIP BREATHER TUBE	通氣管夾	1	
		18656-LBA7-900	3	TUBE A OIL CATCH	補強油管 A	1	
		18657-LBA7-900	4	TUBE B OIL CATCH	補強油管 B	1	
		18658-KED9-900	2	TUBE C OIL CATCH	補強油管 C	1	
		90652-LLJ3-E00	0	BAND CONNECTING TUBE	連接管固定帶	1	
		90683-GAR1-004	4	CLIP BODY COVER	邊蓋夾	1	
		93404-06012-06	0	BOLT WASHER 6*12	螺絲 6*12	2	
		93500-04025-0H	0	SCREW PAN 4*25	螺絲 4*25	2	
		95002-02150	0	CLIP B15 TUBE	管夾	2	

**F13**

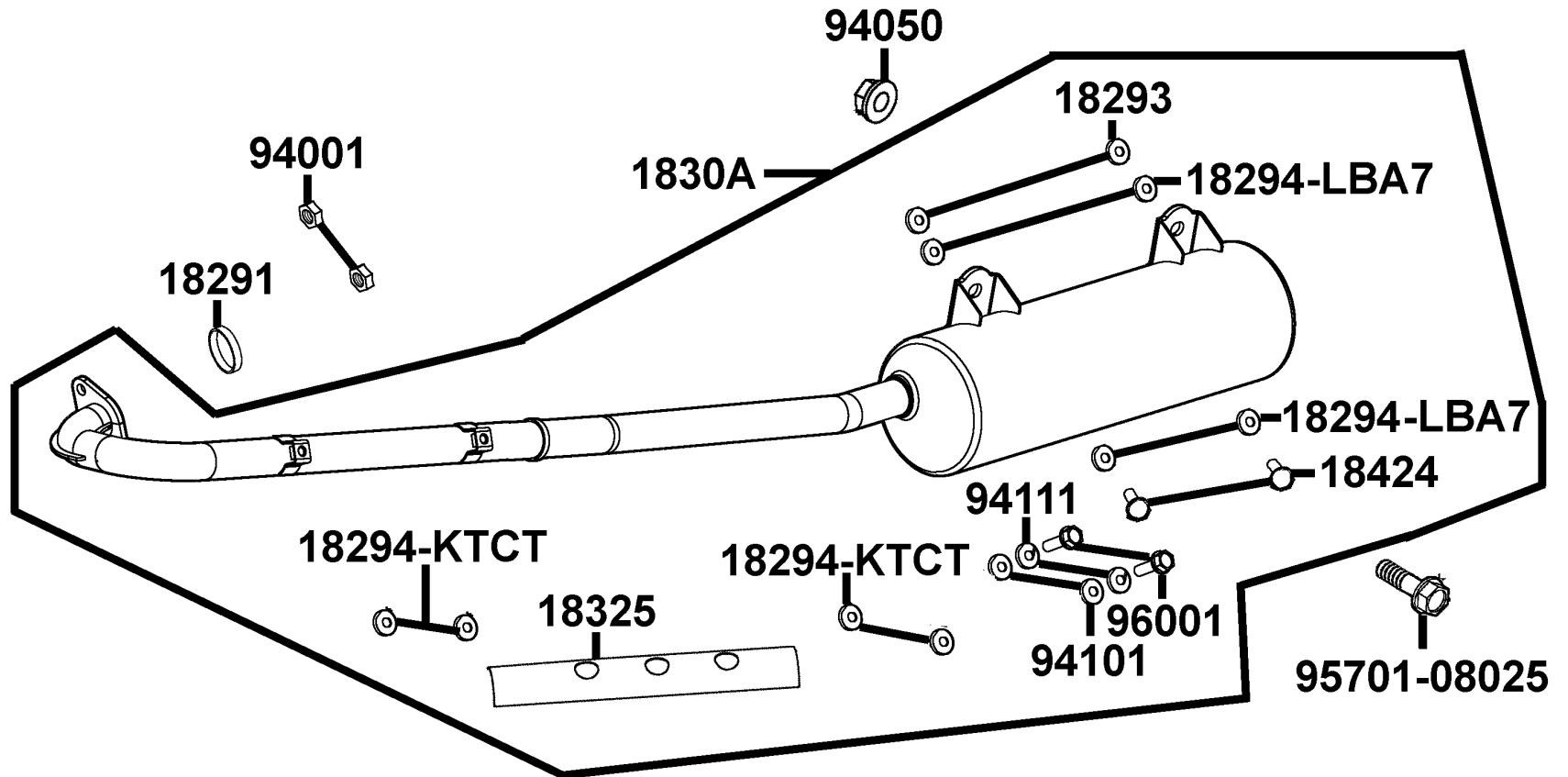
**Air Cleaner**





販賣記號 Sales mark	項目 Ref no	零件號碼 Part no	版數 Ver	英文名稱 Description	中文名稱 Chinese	需要用量 Regd no	建議售價 Ref Price
		95002-KKD6-E05	0	CLAMP D18 TUBE	管夾	1	
		95003-LBA7-900	1	TUBE DRAIN	通氣管	1	
		95701-06012-06	1	BOLT FLANGE 6*12	螺絲 6*12	2	

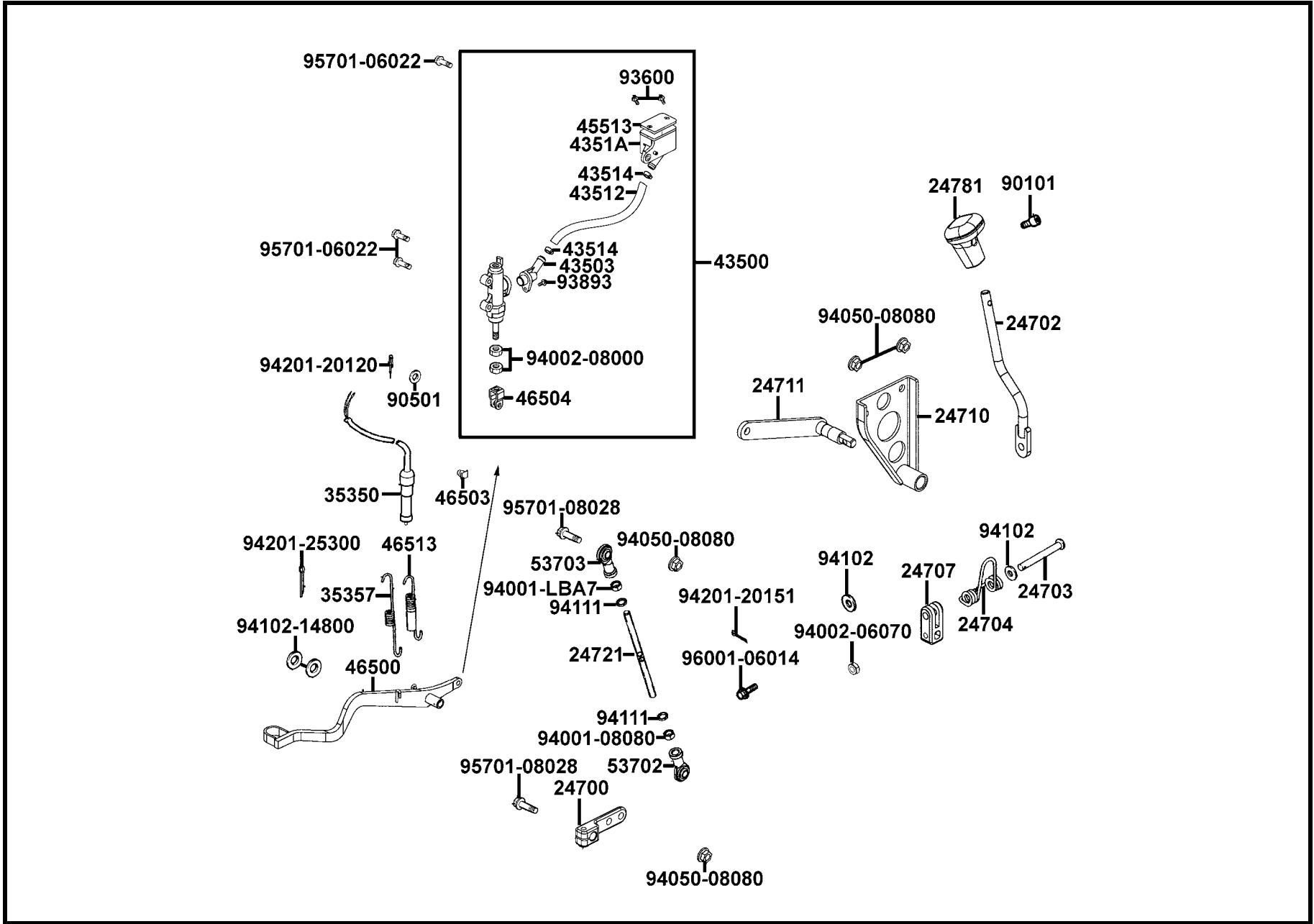
**F13**

**F14****Exhaust Muffler**

販賣記號 Sales mark	項目 Ref no	零件號碼 Part no	版數 Ver	英文名稱 Description	中文名稱 Chinese	需要用量 Regd no	建議售價 Ref Price
		18291-LBA7-900	2	GASKET EXH PIPE	排氣管墊圈	1	
		18293-LBA7-E00	1	RUBBER MUFFLER STAY	排氣管吊耳橡皮	2	
		18294-KTCT-900	0	PACKING PROTECTOR	防熱墊片	4	
		18294-LBA7-E00	0	PACKING MUFFLER STAY	墊片	4	
		1830A-LDE9-700	0	MUFFLER ASSY EXH	排氣管	1	
		18325-LLB1-900	1	PROTECTOR PIPE EXHAUST	排氣管護蓋	1	
		18424-LBA7-E00	1	COLLAR MUFFLER STAY	排氣管吊耳套筒	2	
		94001-08080-0S	0	NUT HEX 8MM	螺帽 8MM	2	
		94050-08080	0	NUT FLANGE 8MM	螺帽 8 MM	1	
		94101-06200	0	WASHER PLAIN 6MM	華司 6MM	2	
		94111-06800	0	WASHER SPG 6MM	華司 6MM	2	
		95701-08025-08	0	BOLT FLANGE 8*25	螺絲 8*25	1	
		96001-06012-06	0	BOLT FLANGE SH 6*12	螺絲 6*12	2	

F15

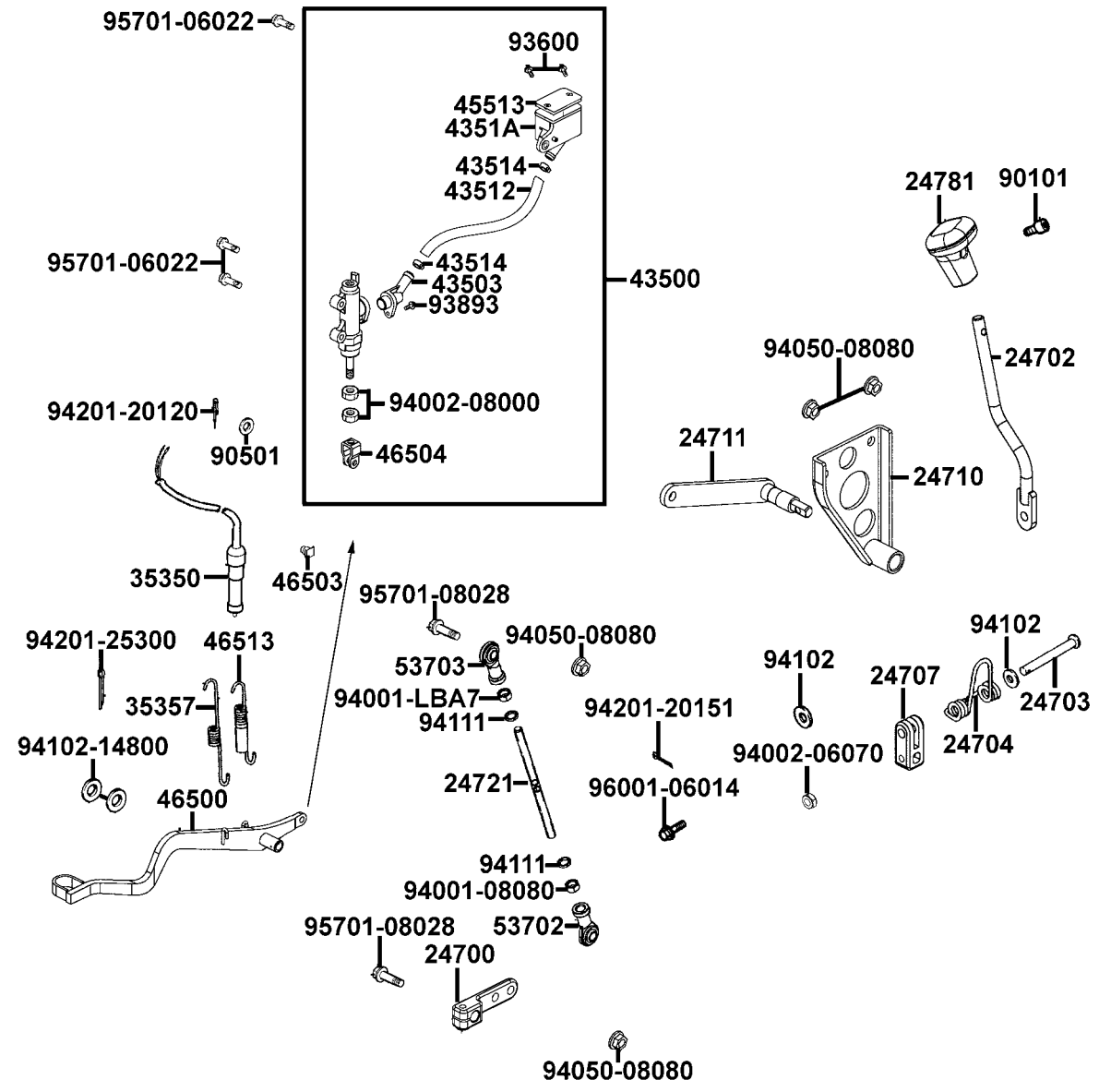
Master Cylinder Rear



販賣記號 Sales mark	項目 Ref no	零件號碼 Part no	版數 Ver	英文名稱 Description	中文名稱 Chinese	需要用量 Regd no	建議售價 Ref Price
		24700-LCD9-E00	2	GEAR CHANGE HNDL LINK	換檔把手連接器	1	
		24702-PWA1-900	2	BAR CHANGE HNDL	換檔把手橫條	1	
		24703-LLB1-900	1	PIN CHANGE HNDL	換檔把手銷	1	
		24704-LBA7-900	4	SPRING CHANGE HNDL	換檔把手彈簧	1	
		24707-LBA7-900	6	BRKT CHANGE HNDL	換檔把手托架	1	
		24710-PWA1-900	6	STAY CHANGE HNDL ASSY	換檔把手座	1	
		24711-PWA1-900	2	SHAFT COMP CHANGE HNDL	換檔把手軸	1	
		24721-LCD9-E00	1	ROD CHANGE HNDL	換檔把手連桿	1	
		24781-LCA5-E00	2	COVER CHANGE HNDL	換檔把手蓋	1	
		35350-LBA7-900	6	REAR STOP SW	煞車燈後置開關	1	
		35357-LBA7-900	1	SPG STOP SW	停止開關彈簧	1	
		43500-LBA7-M30	1	MASTER CYLINDER ASSY RR	後煞車主油缸組	1	
		43503-KGC4-E01	2	CONNECTOR	煞車油管連接彎頭	1	
		4351A-KFW6-000	0	OIL CUP ASSY	後煞車油缸	1	
		43512-LBA7-M30	0	HOSE M/C	後煞車油管	1	
		43514-4E45-77A	0	CLAMP M/C OIL HOSE	煞車油管夾	2	
		45513-HBA2-007	0	CAP M/C	主油缸蓋	1	
		46500-LCD9-E00	2	PEDAL COMP RR BRAKE	後煞車踏板	1	
		46503-KCW3-001	0	PIN COMP BRK ROD	煞車踏板支柱	1	
		46504-MBB2-007	0	JOINT BRK ROD	連接桿	1	

**F15**

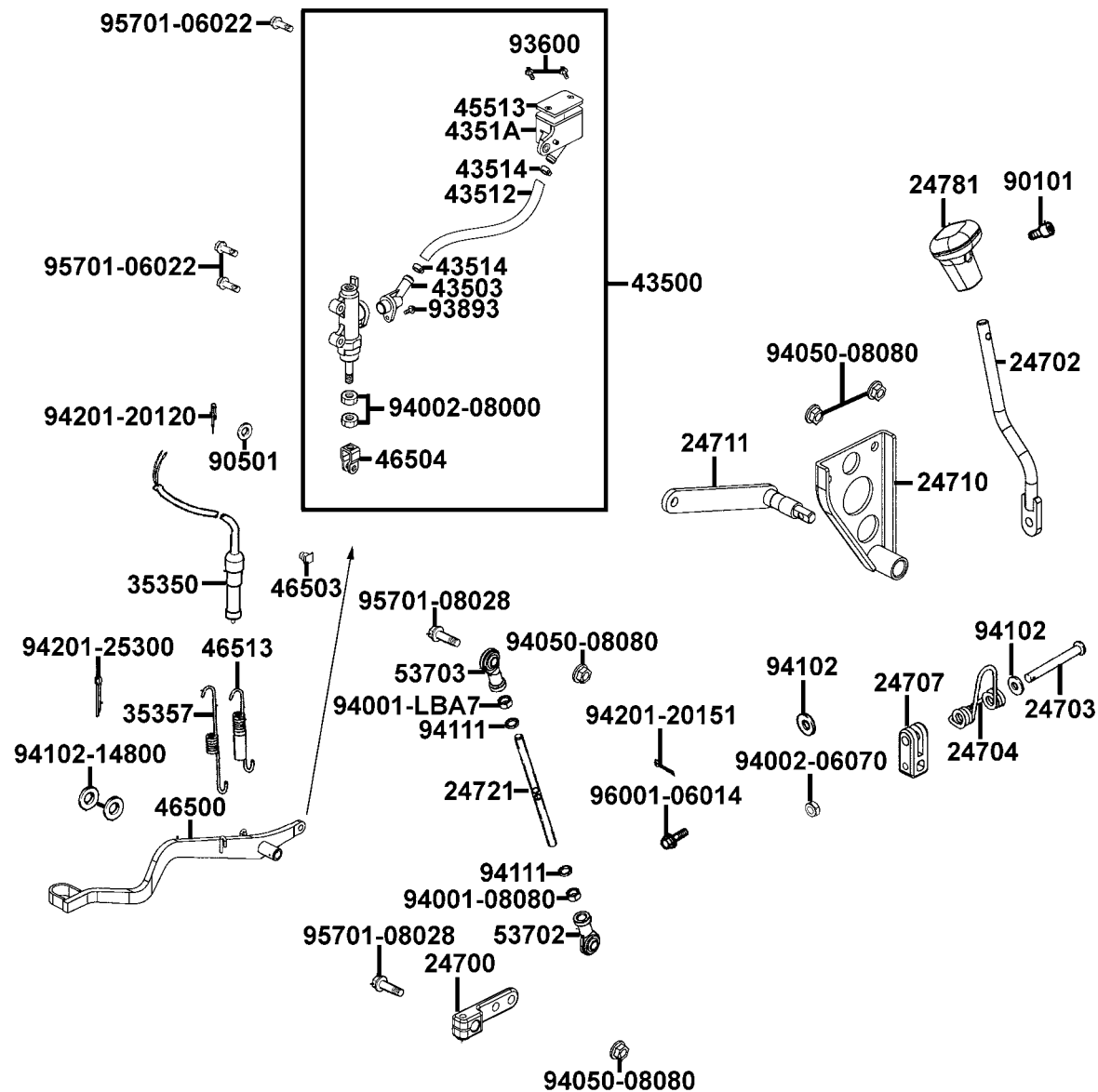
**Master Cylinder Rear**



販賣記號 Sales mark	項目 Ref no	零件號碼 Part no	版數 Ver	英文名稱 Description	中文名稱 Chinese	需要用量 Regd no	建議售價 Ref Price
		46513-KED9-900	1	SPG SET BRK PEDAL	煞車踏板彈簧	1	
		53702-LBA7-900	1	JOINT R BALL	排檔連動桿右接頭	1	
		53703-LBA7-900	1	JOINT L BALL	排檔連動桿左接頭	1	
		90101-LCA5-E00-06	2	SOCKET BOLT 5*12	螺絲 5*12	1	
		90501-3L10-001	0	WASHER 7*12	墊圈 7*12	1	
		93600-04040-1G	0	SCREW FLAT 4*40	螺絲 4*40	2	
		93893-04012-17	0	SCREW WASHER 4*12	螺絲 4*12	1	
		94001-08080-0S	0	NUT HEX 8MM	螺帽 8MM	1	
		94001-LBA7-900	1	NUT HEX LH 8MM	左牙螺帽 8MM	1	
		94002-06070-0S	0	NUT HEX 6MM	螺帽 6MM	1	
		94002-08000-0S	0	NUT HEX 8MM	螺帽 8MM	2	
		94050-08080	0	NUT FLANGE 8MM	螺帽 8MM	4	
		94102-08000	5	WASHER PLAIN 8MM	平面墊圈 8MM	2	
		94102-14800	0	WASHER PLAIN 14MM	華司 14MM	2	
		94111-08800	0	WASHER SPRING 8MM	華司 8MM	2	
		94201-20120	0	PIN SPLIT 2*12	插銷 2*12	1	
		94201-20150	0	PIN SPLIT 2*15	插銷 2*15	1	
		94201-25300	0	PIN SPLIT 2.5*30	插銷 2.5*30	1	
		95701-06022-06	1	BOLT FLANGE 6*22	螺絲 6*22	3	
		95701-06035-06	1	BOLT FLANGE 6*35	螺絲 6*35	2	

# F15

## Master Cylinder Rear



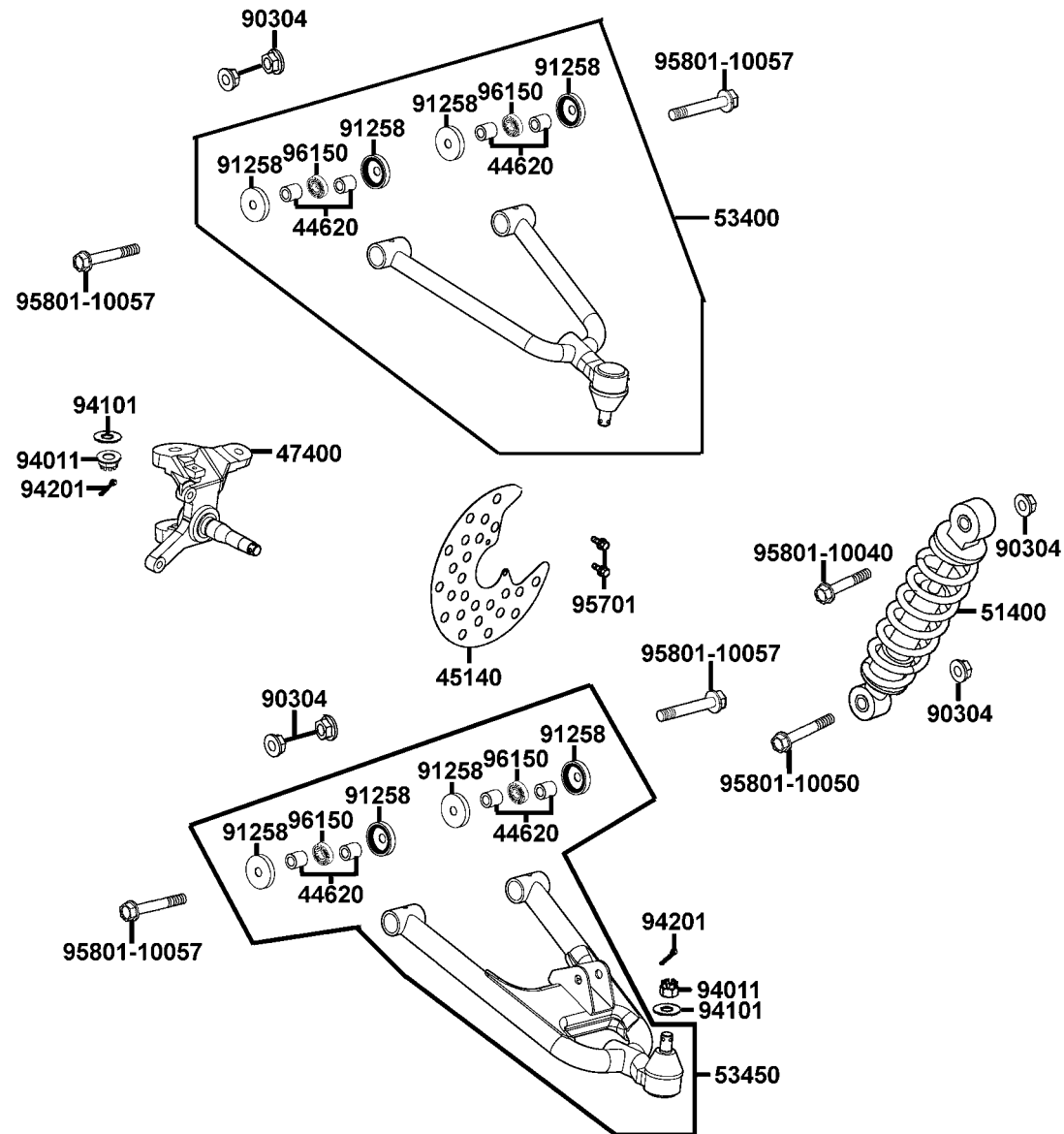


販賣記號	項目	零件號碼	版數	英文名稱	中文名稱	需要用量	建議售價
Sales mark	Ref no	Part no	Ver	Description	Chinese	Regd no	Ref Price
		95701-08028-06	1	BOLT FLANGE 8*28	螺絲 8*28	2	
		96001-06014-08	0	BOLT FLANGE SH 6*14	螺絲 6*14	1	

**F15**

# F16

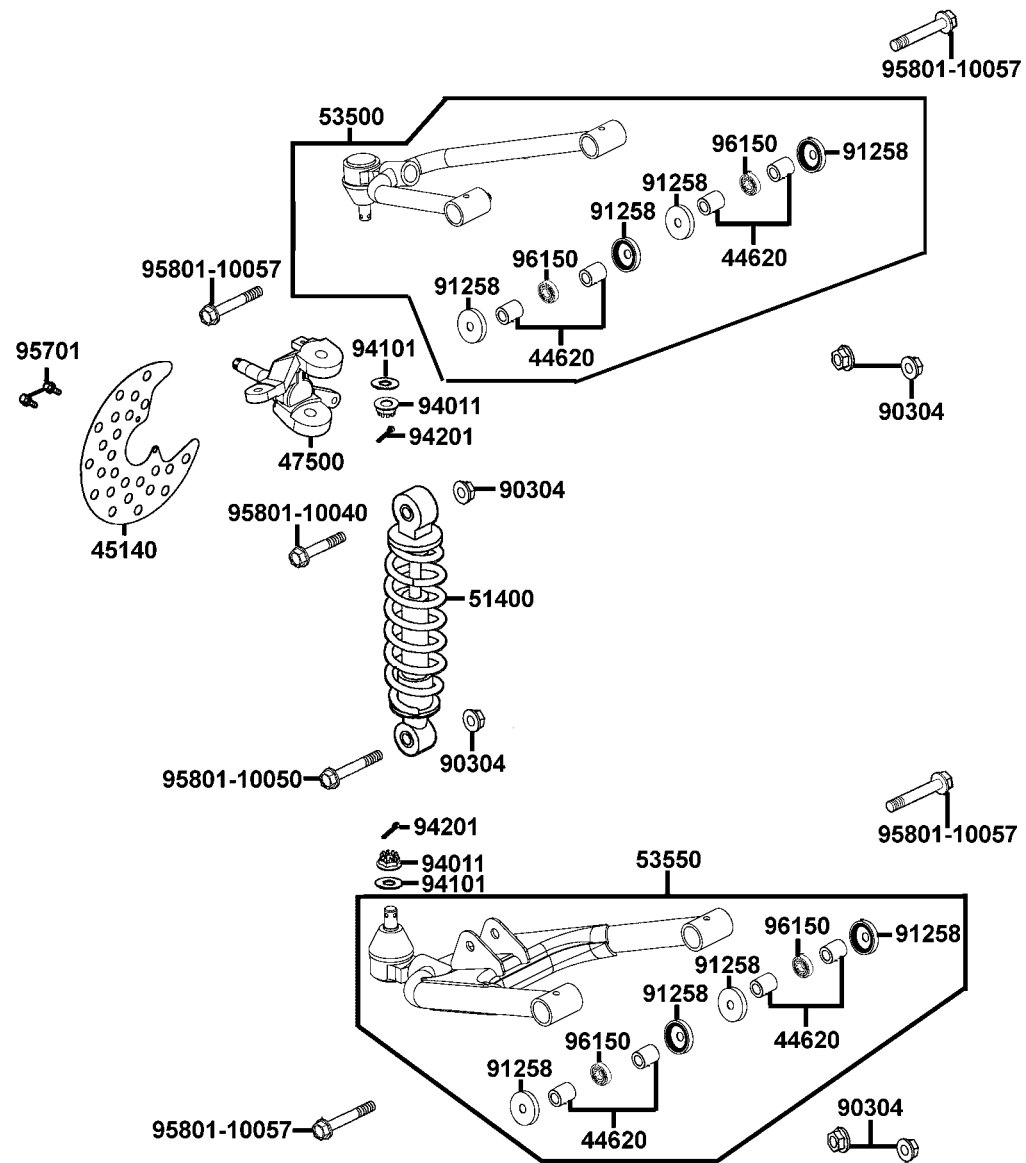
# Cushion Right Arm Swing



販賣記號 Sales mark	項目 Ref no	零件號碼 Part no	版數 Ver	英文名稱 Description	中文名稱 Chinese	需要用量 Regd no	建議售價 Ref Price
		44620-PWA2-900	1	COLLAR SWING ARM	套筒	8	
		45140-LCA5-E00	3	GUARD BRAKE DISK	摩擦圓盤護蓋	1	
		47400-LCA5-E00	1	KNUCKLE ASSY R STEERING	右轉向桿	1	
**		51400-PWA1-900	4	CUSHION ASSY FR	前避震器	1	
**		53400-PWA2-900	3	ARM ASSY R UP SWING	右上A臂組	1	
**		53450-LCD9-E00	1	ARM ASSY R LOW SWING	右下緩衝臂組	1	
		90304-GLW0-90A	1	NUT U 10MM	螺帽 10MM	6	
		91258-LBA7-900	1	OIL SEAL 18*26*7	油封 18*26*7	8	
		94011-12080-0S	0	NUT CASTLE 12MM	螺帽 12MM	2	
		94101-12800	0	WASHER PLAIN 12*26*2.3	華司 12*26*2.3	2	
		94201-30250	0	PIN SPLIT 3*25	插銷 3*25	2	
		95701-06010-06	1	BOLT FLANGE 6*10	螺絲 6*10	2	
		95801-10040-08	0	BOLT FLANGE 10*40	螺絲 10*40	1	
		95801-10050-06	1	BOLT FLANGE 10*50	螺絲 10*50	1	
		95801-10057-06	1	BOLT FLANGE 10*57	螺絲 10*57	4	
		96150-60000-10	0	BEARING BALL RADIAL 6000	軸承 6000	4	

**F17**

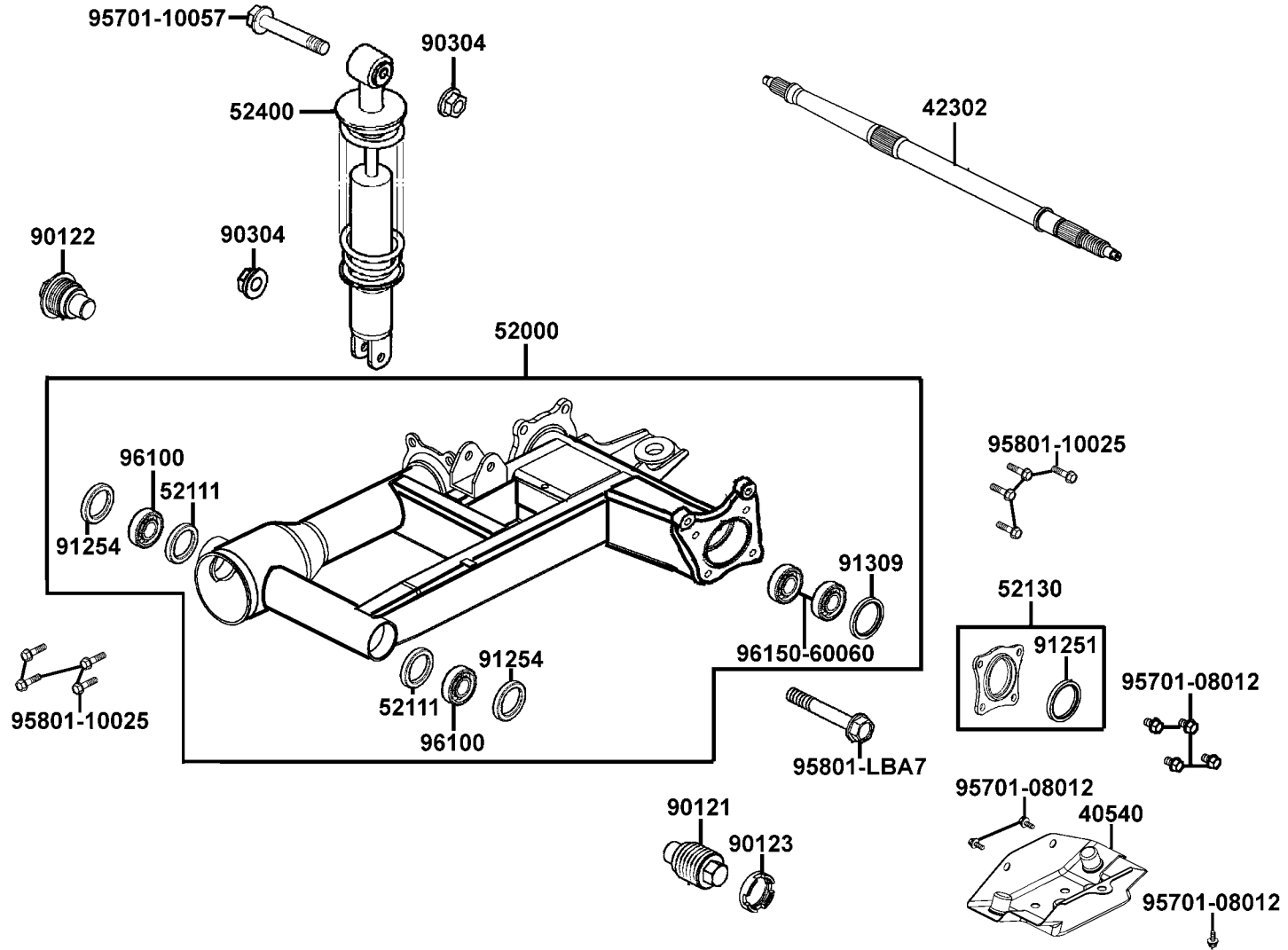
**Cushion Left Arm Swing**



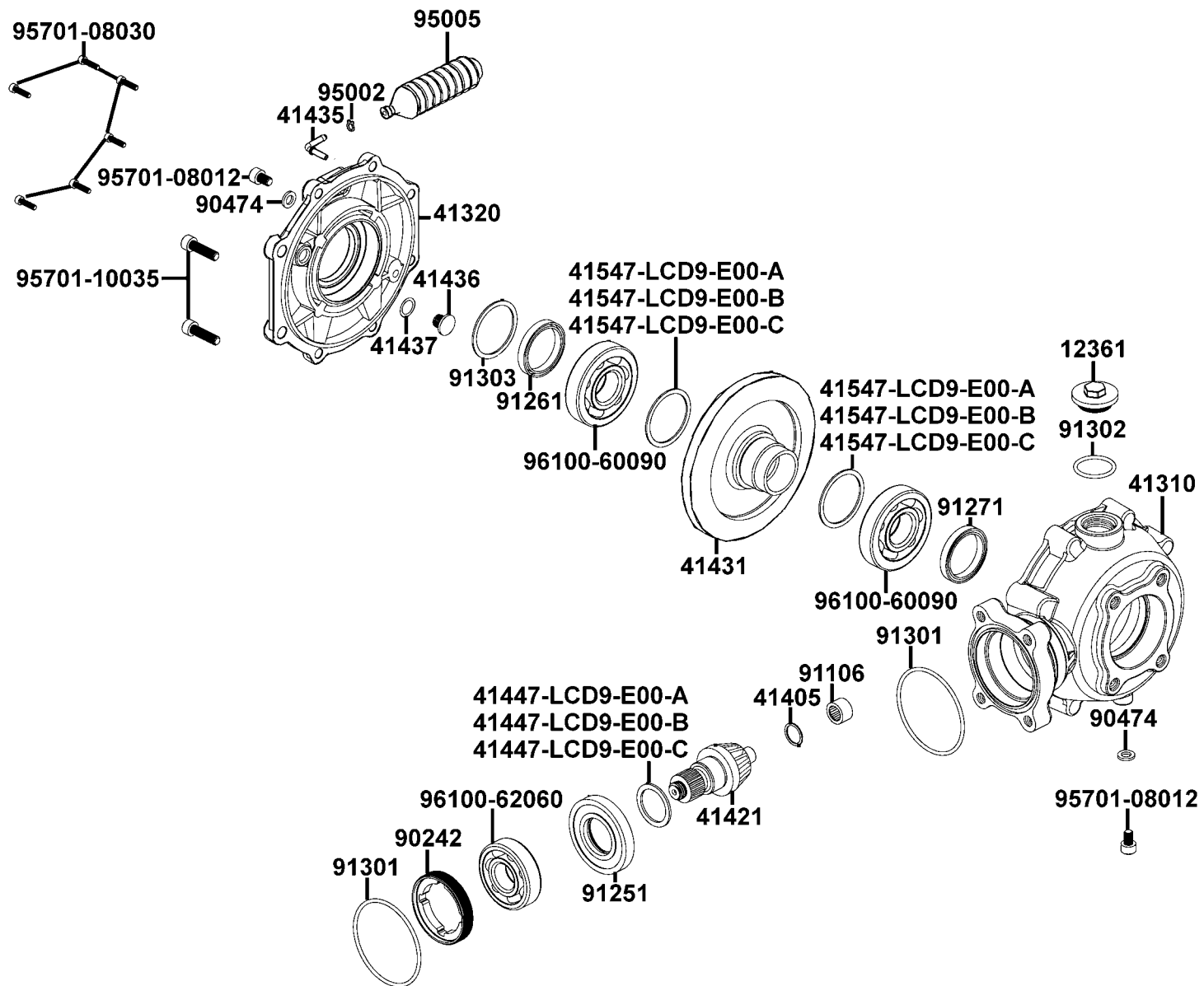
販賣記號 Sales mark	項目 Ref no	零件號碼 Part no	版數 Ver	英文名稱 Description	中文名稱 Chinese	需要用量 Regd no	建議售價 Ref Price
		44620-PWA2-900	1	COLLAR SWING ARM	套筒	8	
		45140-LCA5-E00	3	GUARD BRAKE DISK	摩擦圓盤護蓋	1	
		47500-LCA5-E00	1	KNUCKLE ASSY L STEERING	左轉向桿	1	
**		51400-PWA1-900	4	CUSHION ASSY FR	前避震器	1	
**		53500-PWA2-900	3	ARM ASSY LEFT UP SWING	左上A臂組	1	
**		53550-LCD9-E00	1	ARM ASSY LEFT LOW SWING	左下緩衝臂組	1	
		90304-GLW0-90A	1	NUT U 10MM	螺帽 10MM	6	
		91258-LBA7-900	1	OIL SEAL 18*26*7	油封 18*26*7	8	
		94011-12080-0S	0	NUT CASTLE 12MM	螺帽 12MM	2	
		94101-12800	0	WASHER PLAIN 12MM	華司 12MM	2	
		94201-30250	0	PIN SPLIT 3*25	插銷3*25	2	
		95701-06010-06	1	BOLT FLANGE 6*10	螺絲 6*10	2	
		95801-10040-08	0	BOLT FLANGE 10*40	螺絲 10*40	1	
		95801-10050-06	1	BOLT FLANGE 10*50	螺絲 10*50	1	
		95801-10057-06	1	BOLT FLANGE 10*57	螺絲 10*57	4	
		96150-60000-10	0	BEARING BALL RADIAL 6000	軸承 6000	4	

# F18

# Rear Fork

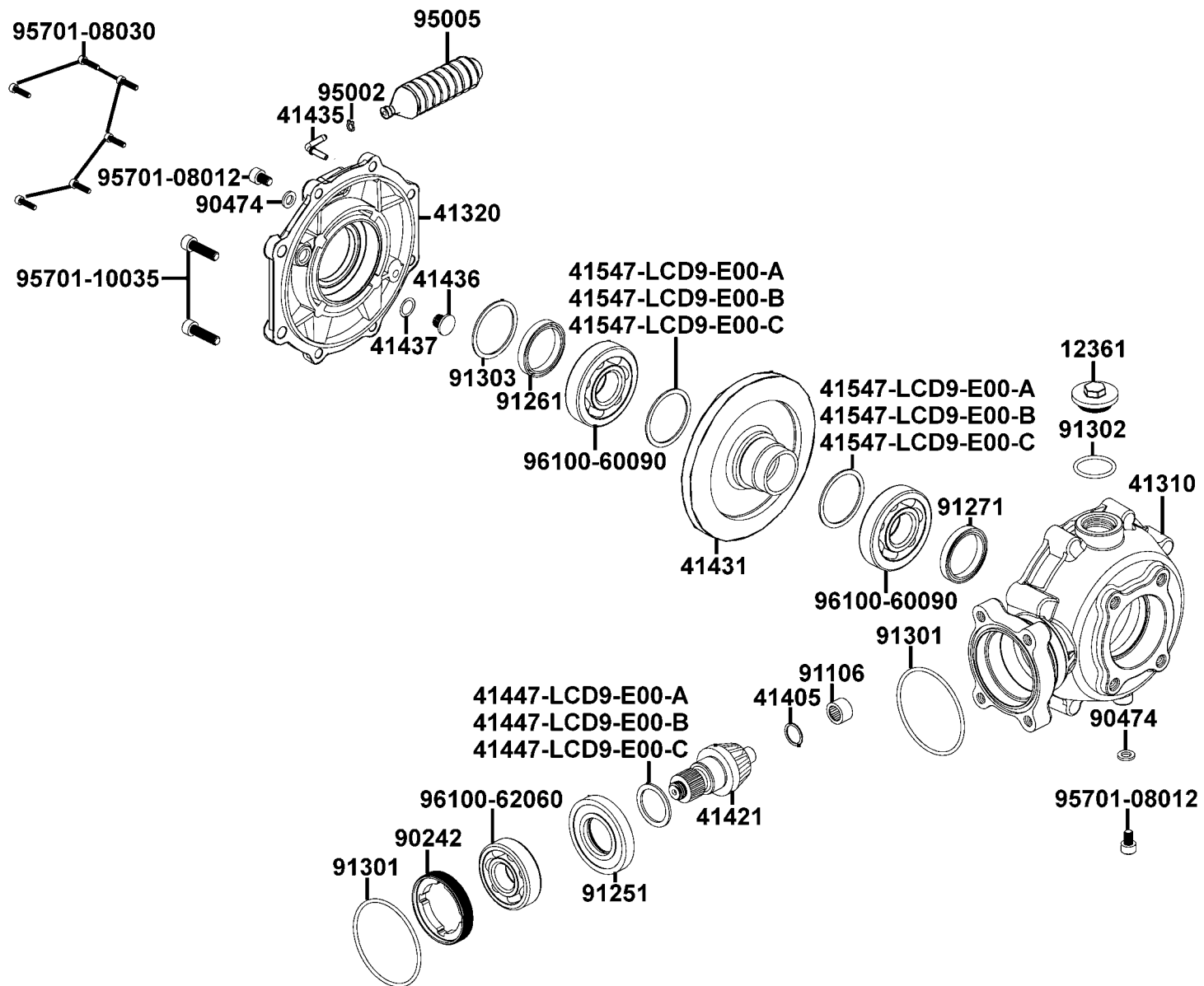


販賣記號 Sales mark	項目 Ref no	零件號碼 Part no	版數 Ver	英文名稱 Description	中文名稱 Chinese	需要用量 Regd no	建議售價 Ref Price
		40540-LCD9-E00	3	PLATE ASSY SKID	薄板組	1	
		42302-LDE9-E00	5	AXLE RR WHEEL	後輪軸	1	
		52000-LDE9-900	8	FORK ASSY RR	後叉組	1	
		52111-LDE9-E00	2	HOLDER GREASE	黃油擋板	2	
		52130-LDE9-E00	1	STOPPER ASSY RR	軸承檔塊組	1	
**		52400-PWA1-900	4	CUSHION ASSY RR	後避震器	1	
		90121-LCD9-E00	5	FORK PIVOT BOLT RH	右前叉螺栓	1	
		90122-LCD9-E00	4	FORK PIVOT BOLT LH	左前叉螺栓	1	
		90123-LCD9-E00	2	FORK PIVOT NUT LOCK	後叉螺栓	1	
		90304-GLW0-90A	1	NUT U FLANGE 10MM	螺帽 10MM	2	
		91251-GAR1-950	0	OIL SEAL	油封	1	
		91254-LDE9-E00	0	DUST SEAL 26*40*5	油封 26*40*5	2	
		91309-LDE9-E00	1	O-RING 58.4*3	O環 58.4*3	1	
		95701-08012-06	0	BOLT FLANGE 8*12	螺絲 8*12	7	
		95701-10057-06	1	BOLT FLANGE 10*57	螺絲 10*57	1	
		95801-10025-08	0	BOLT FLANGE 10*25	螺絲 10*25	8	
		95801-LBA7-900-06	2	BOLT FLANGE 10*53	螺絲 10*53	1	
		96100-30203-10	0	BEARING BALL RADIAL 30203	軸承 30203	2	
		96150-60060-10	0	BEARING BALL RADIAL 6006	軸承 6006	2	

**F19****Side Case Rr Final**

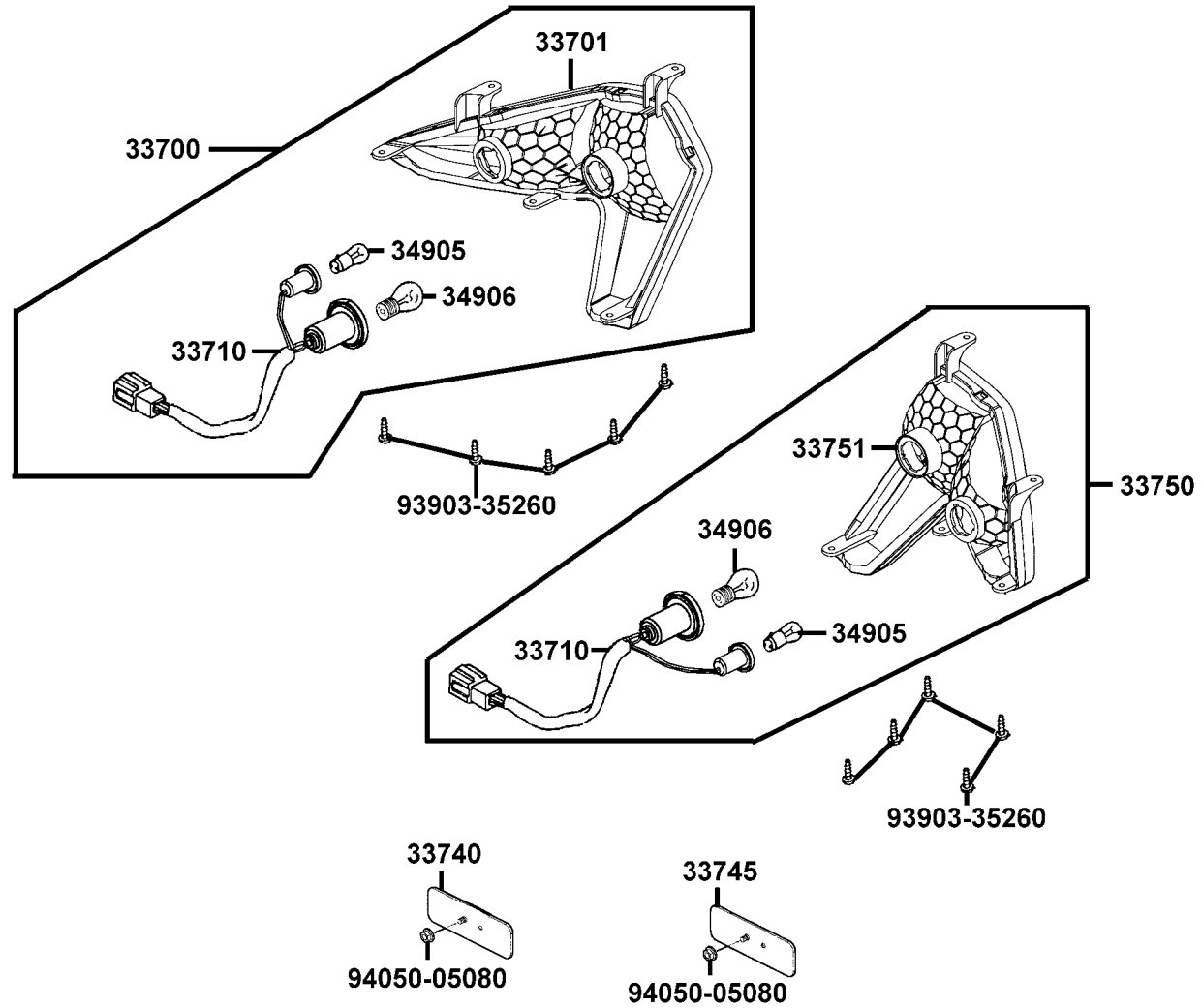


販賣記號 Sales mark	項目 Ref no	零件號碼 Part no	版數 Ver	英文名稱 Description	中文名稱 Chinese	需要用量 Regd no	建議售價 Ref Price
		12361-GFY6-901	1	HOLE CAP TAPPET ADJUSTING	調整螺帽	1	
		41310-LCD9-E00	3	L SIDE CASE RR FINAL	左後齒輪箱組	1	
		41320-LCD9-E00	3	R SIDE CASE RR FINAL	右後齒輪箱蓋	1	
		41405-LCD9-E00	2	RING STOPPER	止動環	1	
		41421-LCD9-E00	3	GEAR PINION	齒輪	1	
		41431-LCD9-E00	2	GEAR RING	齒輪環	1	
		41435-LCD9-E00	2	JOINT BREATHER	通氣管	1	
		41436-LCD9-E00	2	PIN RING GEAR STOPPER	止動齒輪銷	1	
		41437-LCD9-E00	2	SHIM STOPPER PIN	墊片	1	
		41447-LCD9-E00-A	2	SHIM PINION GEAR A	墊片 A	1	
		41447-LCD9-E00-B	2	SHIM PINION GEAR B	墊片 B	1	
		41447-LCD9-E00-C	2	SHIM PINION GEAR C	墊片 C	1	
		41547-LCD9-E00-A	2	SHIM RING GEAR A	墊片 A	2	
		41547-LCD9-E00-B	2	SHIM RING GEAR B	墊片 B	2	
		41547-LCD9-E00-C	2	SHIM RING GEAR C	墊片 C	2	
		90242-LCD9-E00	1	NUT LOCK 65MM	螺帽	1	
		90474-3C33-001	1	WASHER 8MM	墊圈	2	
		91106-LCD9-E00	1	BRG NEEDLE 14*20*12	軸承	1	
		91251-LCD9-E00	2	OIL SEAL 35*70*10	油封 35*70*10	1	
		91261-LCD9-E00	3	OIL SEAL 42*51*7	油封 42*51*7	1	

**F19****Side Case Rr Final**

販賣記號 Sales mark	項目 Ref no	零件號碼 Part no	版數 Ver	英文名稱 Description	中文名稱 Chinese	需要用量 Regd no	建議售價 Ref Price
		91271-LCD9-E00	2	OIL SEAL 42*62*7	油封 42*62*7	1	
		91301-LCD9-E00	1	O-RING 74.4*3.1	O環	2	
		91302-0A01-021	0	O-RING 30.8MM	O環	1	
		91303-LCD9-E00	1	O-RING 31.7*3.5	O環	1	
		95002-41050-00	0	CLIP D10.5 TUBE	管夾	1	
		95005-LCD9-E00	2	BREATHER TUBE RR GEAR ASSY	管套	1	
		95701-08012-08	0	BOLT FLANGE 8*12	螺絲 8*12	2	
		95701-08030-08	0	BOLT FLANGE 8*30	螺絲 8*30	6	
		95701-10035-08	0	BOLT FLANGE 10*35	螺絲 10*35	2	
		96100-60090-00	2	BRG RADIAL BALL 6009	軸承 6009	2	
		96100-62060-00	2	BRG RADIAL BALL 6206	軸承 6206	1	

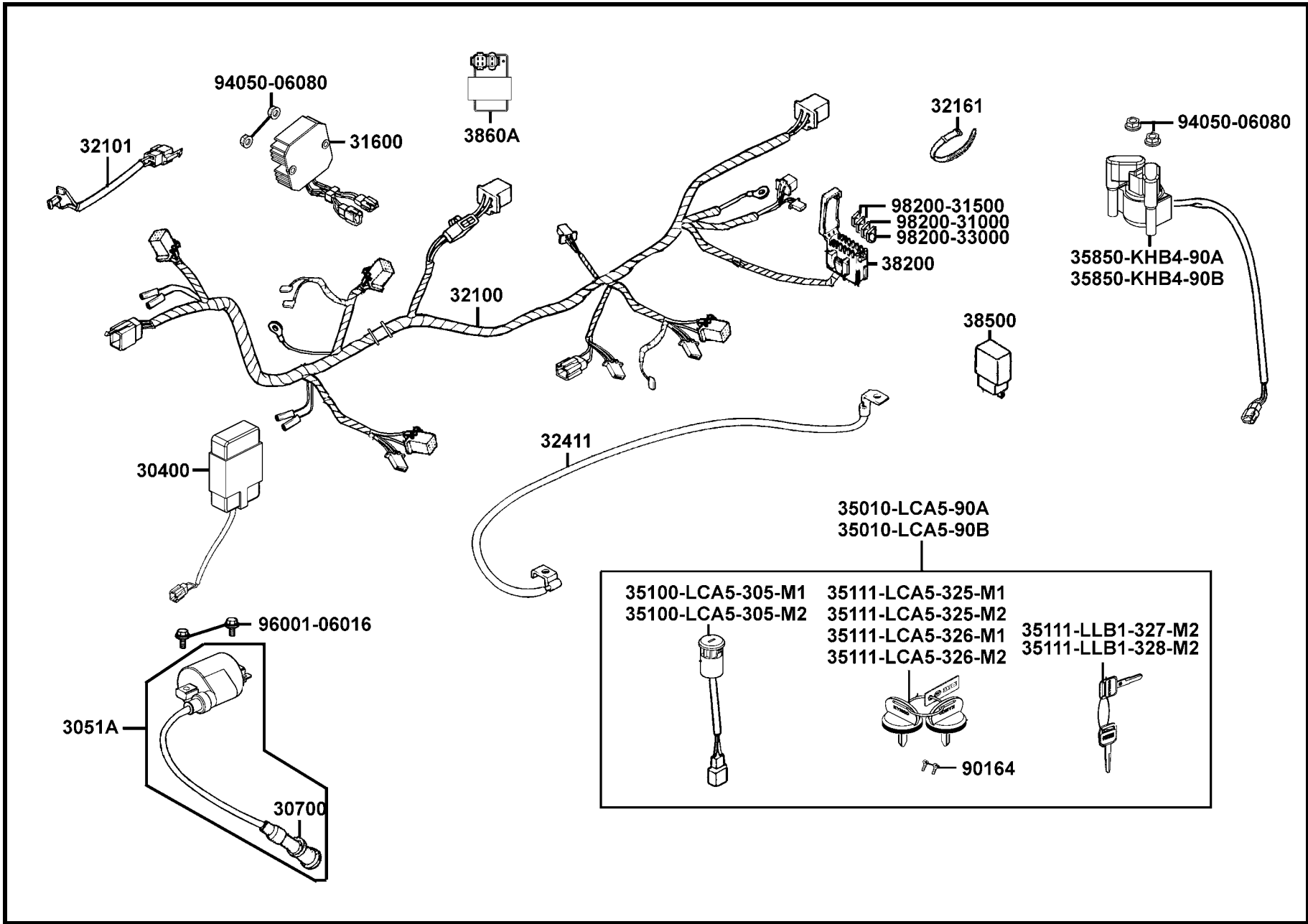
# F20 Light Tail



販賣記號 Sales mark	項目 Ref no	零件號碼 Part no	版數 Ver	英文名稱 Description	中文名稱 Chinese	需要用量 Regd no	建議售價 Ref Price
		33700-LCA5-900	1	LIGHT ASSY R RR COMB	右後燈組	1	
		33701-LCA5-900	0	UNIT TAIL LIGHT R	右後燈殼	1	
		33710-LCA5-900	2	SOCKET COMP RR COMB	後燈配線	2	
		33740-LCA5-E00	1	REFLECTOR ASSY R RR	右後反射片組	1	
		33745-LCA5-E00	1	REFLECTOR ASSY L RR	左後反射片組	1	
		33750-LCA5-900	1	LIGHT ASSY L RR COMB	左後燈組	1	
		33751-LCA5-900	0	UNIT TAIL LIGHT L	左後燈殼	1	
		34905-LCA5-900	0	BULB POSITION 12V5W	燈泡	2	
		34906-KPCP-900	0	BULB TAIL & STOP	後燈燈泡	2	
		93903-35260	0	SCREW TAPPING 5*12	螺釘 5*12	10	
		94050-05080	0	NUT FLANGE 5 MM	螺帽	2	

# F21

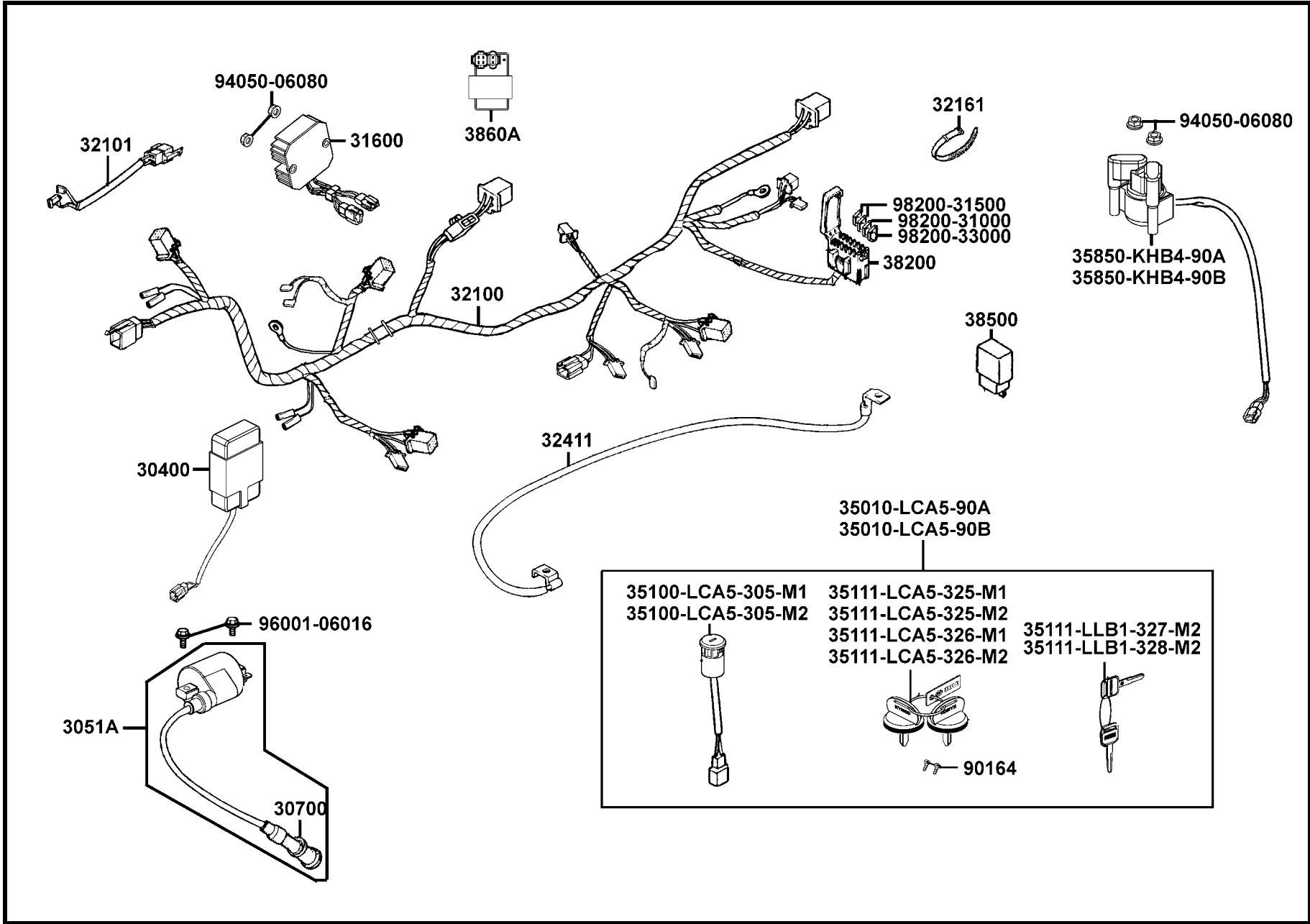
## Harness Wire



販賣記號 Sales mark	項目 Ref no	零件號碼 Part no	版數 Ver	英文名稱 Description	中文名稱 Chinese	需要用量 Regd no	建議售價 Ref Price
		30400-LDE9-800	0	UNIT ASSY IGNITION	電子點火系統	1	
		3051A-KHE7-900	2	COIL ASSY IGNITION	點火線圈	1	
		30700-KFC8-E0H	1	CAP ASSY NOISE SUPPRESOR	火星塞蓋	1	
		31600-LBA7-900	6	REG REC COMP	整流器	1	
		32100-LCD9-800	1	HARNES WIRE	主配線	1	
		32101-LLB1-800	1	SUB CORD	副線	1	
		32161-LBA7-900	0	BAND WIRE	束帶	1	
		32411-LCA5-E00	1	CABLE BAT	電瓶導線	1	
		35010-LCA5-90A	0	KEY SET	開關組	1	
		35010-LCA5-90B	0	KEY SET	開關組	1	
		35100-LCA5-305-M1	0	SW ASSY COMB	主開關	1	
		35100-LCA5-305-M2	0	SW ASSY COMB	主開關	1	
		35111-LCA5-325-M1	0	KEY COMP(FOR SERVICE)	鎖匙右切	1	
		35111-LCA5-325-M2	0	KEY COMP(FOR SERVICE)	鎖匙右切	1	
		35111-LCA5-326-M1	0	KEY COMP(FOR SERVICE)	鎖匙左切	1	
		35111-LCA5-326-M2	0	KEY COMP(FOR SERVICE)	鎖匙左切	1	
		35111-LLB1-327-M2	0	KEY COMP(FOR SERVICE)	鎖匙右切	1	
		35111-LLB1-328-M2	0	KEY COMP(FOR SERVICE)	鎖匙左切	1	
		35850-KHB4-90A	0	SET START MAG	起動開關組	1	
		35850-KHB4-90B	1	SET START MAG	起動開關組	1	

# F21

## Harness Wire

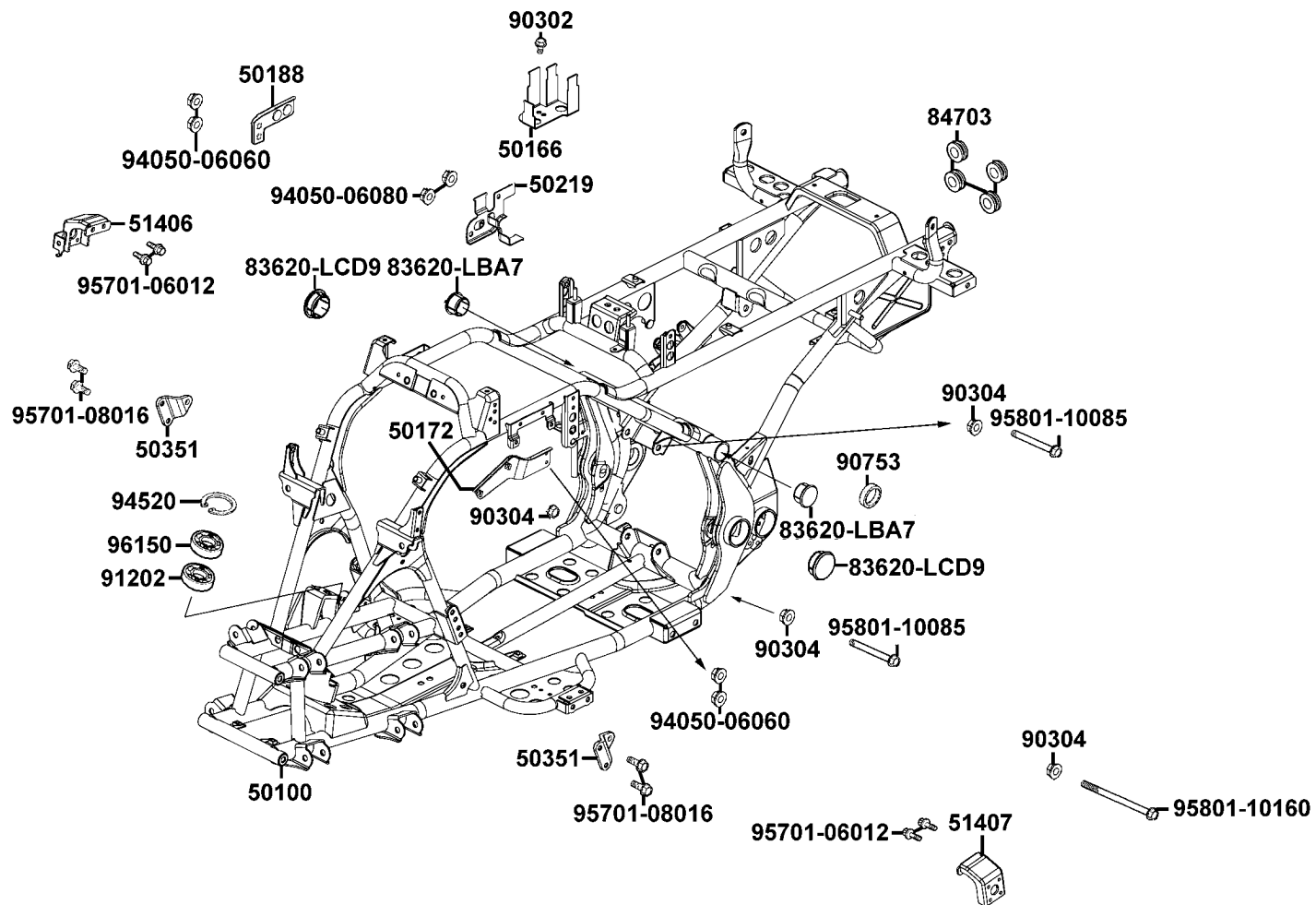




販賣記號 Sales mark	項目 Ref no	零件號碼 Part no	版數 Ver	英文名稱 Description	中文名稱 Chinese	需要用量 Regd no	建議售價 Ref Price
		38200-KEBE-900	0	BOX COMP FUSE	保險絲盒	1	
		38500-KHD8-900	0	RELAY ASSY LIGHT	繼電器	1	
		3860A-LCA5-E01	3	CONTROL UNIT LIGHTIN	大燈控制器	1	
		90164-0H28-900	1	SCREW FLAT U LOCK 6*12	特殊螺絲	2	
		94050-06080	0	NUT FLANGE 6MM	螺帽 6MM	4	
		96001-06016-08	0	BOLT FLANGE SH 6*16	螺絲 6*16	2	
		98200-31000	1	BLADE FUSE 10A	保險絲	1	
		98200-31500	0	BLADE FUSE 15A	保險絲	2	
		98200-33000	0	BLADE FUSE 30A	保險絲	1	

# F22

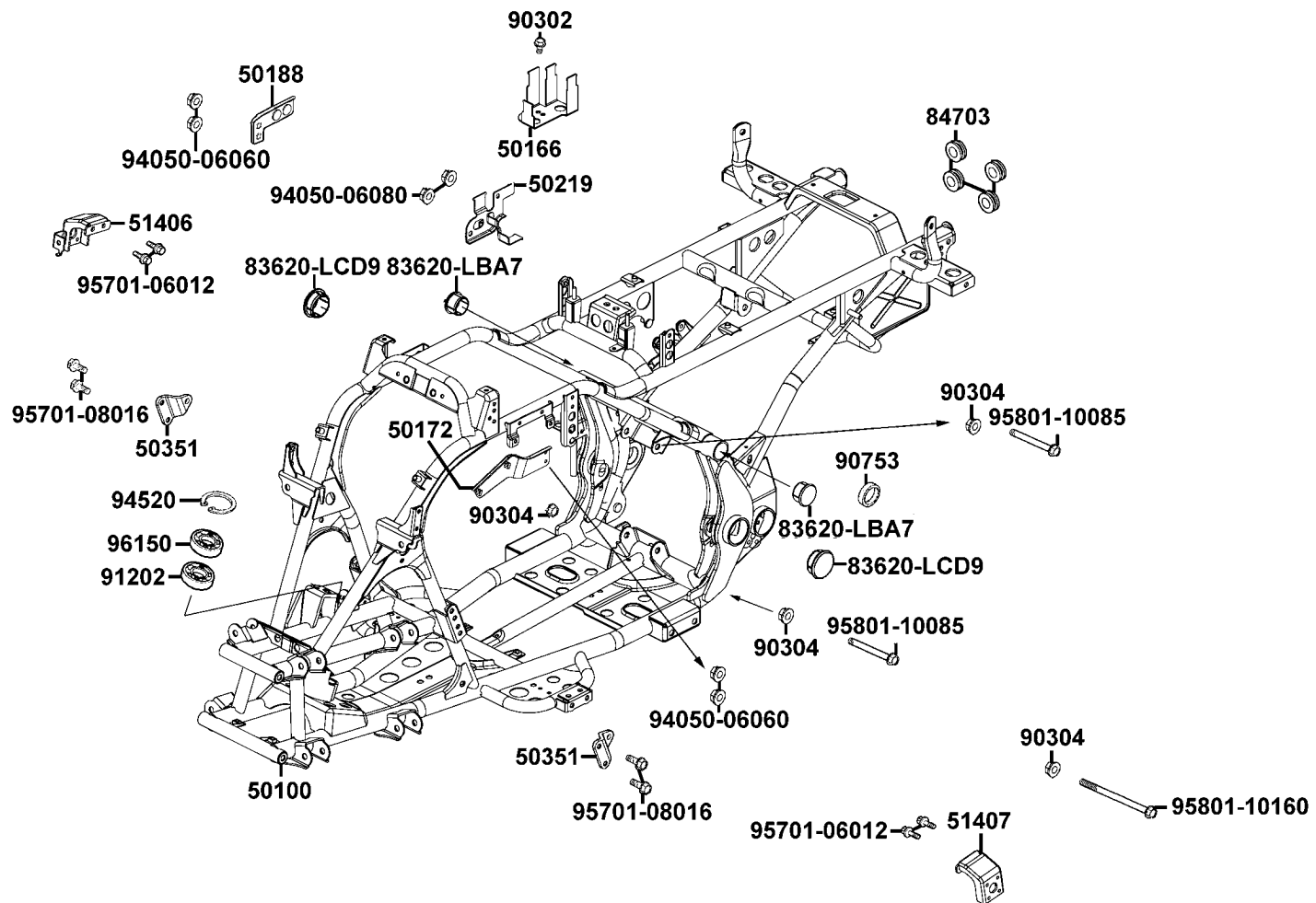
# Frame Body



販賣記號 Sales mark	項目 Ref no	零件號碼 Part no	版數 Ver	英文名稱 Description	中文名稱 Chinese	需要用量 Regd no	建議售價 Ref Price
		50100-LCD9-900	6	BODY COMP FRAME	車架	1	
		50166-LBA7-900	3	STAY START MAG SW	主開關托架	1	
		50172-LBA7-900	2	STAY CATCH TANK	油氣回收器支架	1	
		50188-LCD9-E00	1	STAY STOP SW	開關支架	1	
		50219-LCA5-E00	3	STAY WINKER RELAY	方向燈繼電器座	1	
		50351-LBA7-900	1	BRKT ENG HANGER	引擎懸吊托架	2	
		51406-LCA5-E00	4	RH STAY FR CARRIER	前載物架右支架	1	
		51407-LCA5-E00	2	STAY L FR FENDER	左前土除支架	1	
		83620-LBA7-900	2	CAP PIPE	管蓋	2	
		83620-LCD9-E00	4	CAP PIPE	管蓋	2	
		84703-LLB1-900	1	RUBBER TAIL LIGHT	後燈橡皮	4	
		90302-LLB1-E00-06	2	BOLT-WASH 5*12	螺絲 5*12	1	
		90304-GLW0-90A	1	NUT U FLANGE 10MM	螺帽 10MM	4	
		90753-GDB4-68A	0	OIL SEAL 27*40*6	防塵封 27*40*6	1	
		91202-LLB1-900	1	OIL SEAL 22*35*7	油封 22*35*7	1	
		94050-06060	0	NUT FLANGE 6MM	螺絲 6MM	4	
		94050-06080	0	NUT FLANGE 6MM	螺絲 6MM	2	
		94520-40000	0	CIR CLIP IN 40	內環夾	1	
		95701-06012-06	1	BOLT FLANGE 6*12	螺絲 6*12	4	
		95701-08016-06	0	BOLT FLANGE 8*16	螺絲 8*16	4	

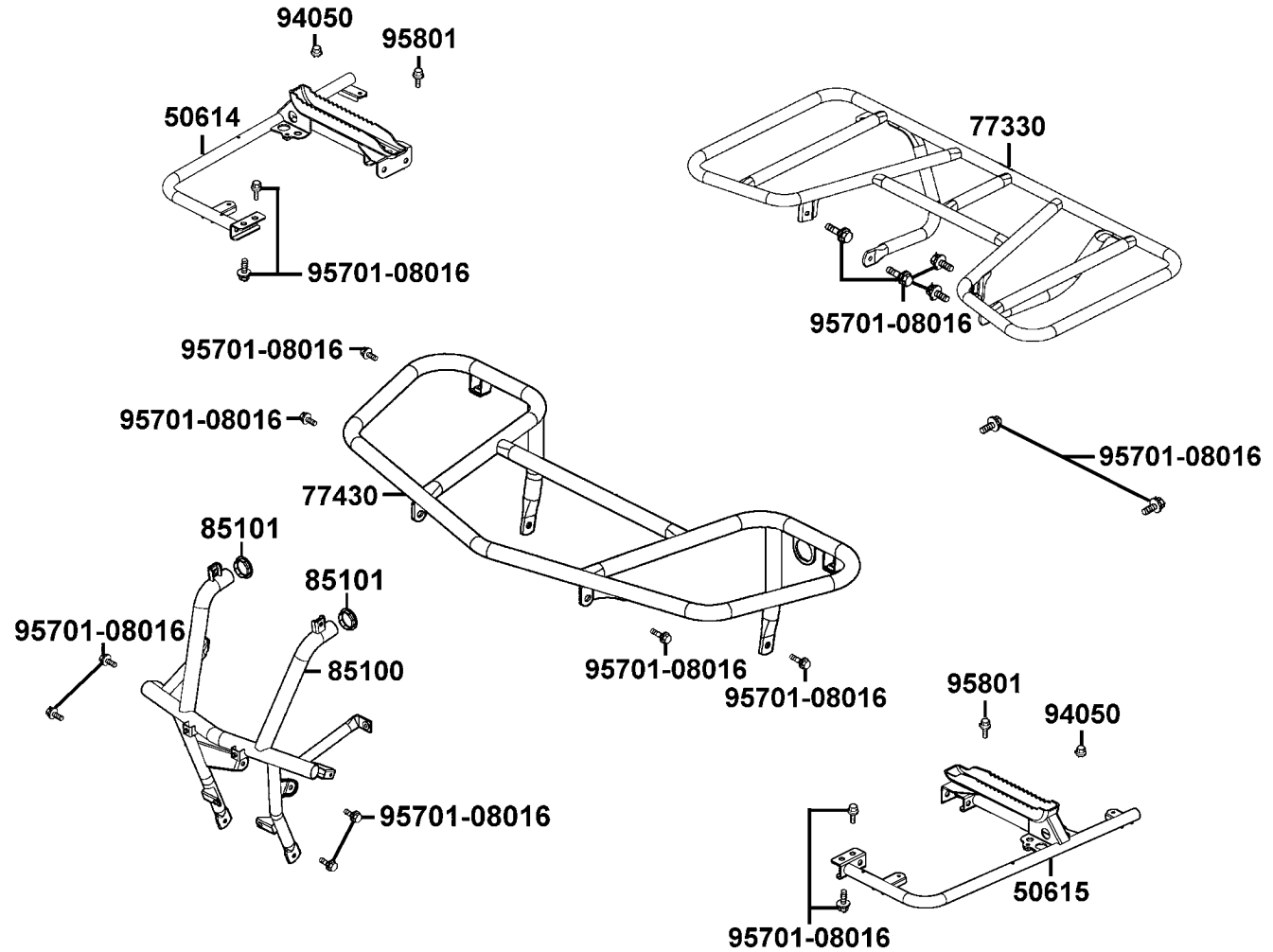
# F22

# Frame Body



販賣記號 Sales mark	項目 Ref no	零件號碼 Part no	版數 Ver	英文名稱 Description	中文名稱 Chinese	需要用量 Regd no	建議售價 Ref Price
		95801-10160-06	0	BOLT FLANGE 10*160	螺絲 10*160	1	
		95801-10085-06	1	BOLT FLANGE 10*85	螺絲 10*85	2	
		96150-62030-10	0	BEARING BALL RADIAL 6203	軸承 6203	1	

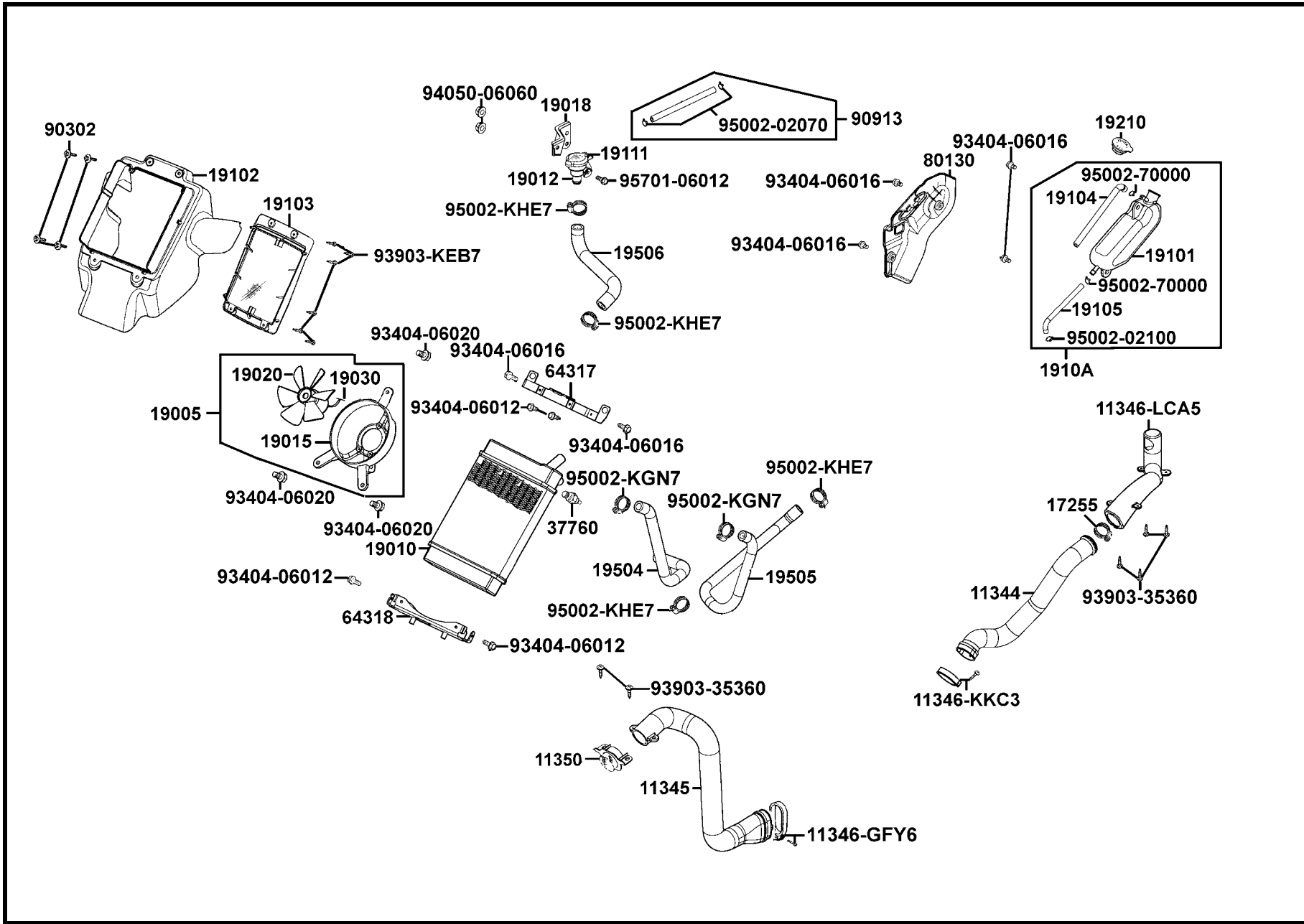
# F23 Carrier Luggage



販賣記號 Sales mark	項目 Ref no	零件號碼 Part no	版數 Ver	英文名稱 Description	中文名稱 Chinese	需要用量 Regd no	建議售價 Ref Price
		50614-LCA5-E00	6	STAY R FLOOR PANEL	右側踏板座	1	
		50615-LCA5-E00	6	STAY L FLOOR PANEL	左側踏板座	1	
**		77330-LCA5-E00	7	REAR CARRIER LUGGAGE	後載物架	1	
**		77430-LCA5-E00	4	FRONT CARRIER LUGGAGE	前載物架	1	
**		85100-LCA5-E00	4	PIPE COMP FR BUMPER	前保險桿	1	
		85101-LCA5-E00	2	CAP PIPE	管體蓋	2	
		94050-08080	0	NUT FLANGE 8MM	螺帽 8MM	2	
		95701-08016-06	0	BOLT FLANGE 8*16	螺絲 8*16	18	
		95801-08035-06	1	BOLT FLANGE 8*35	螺絲 8*35	2	

# F24

# Radiator

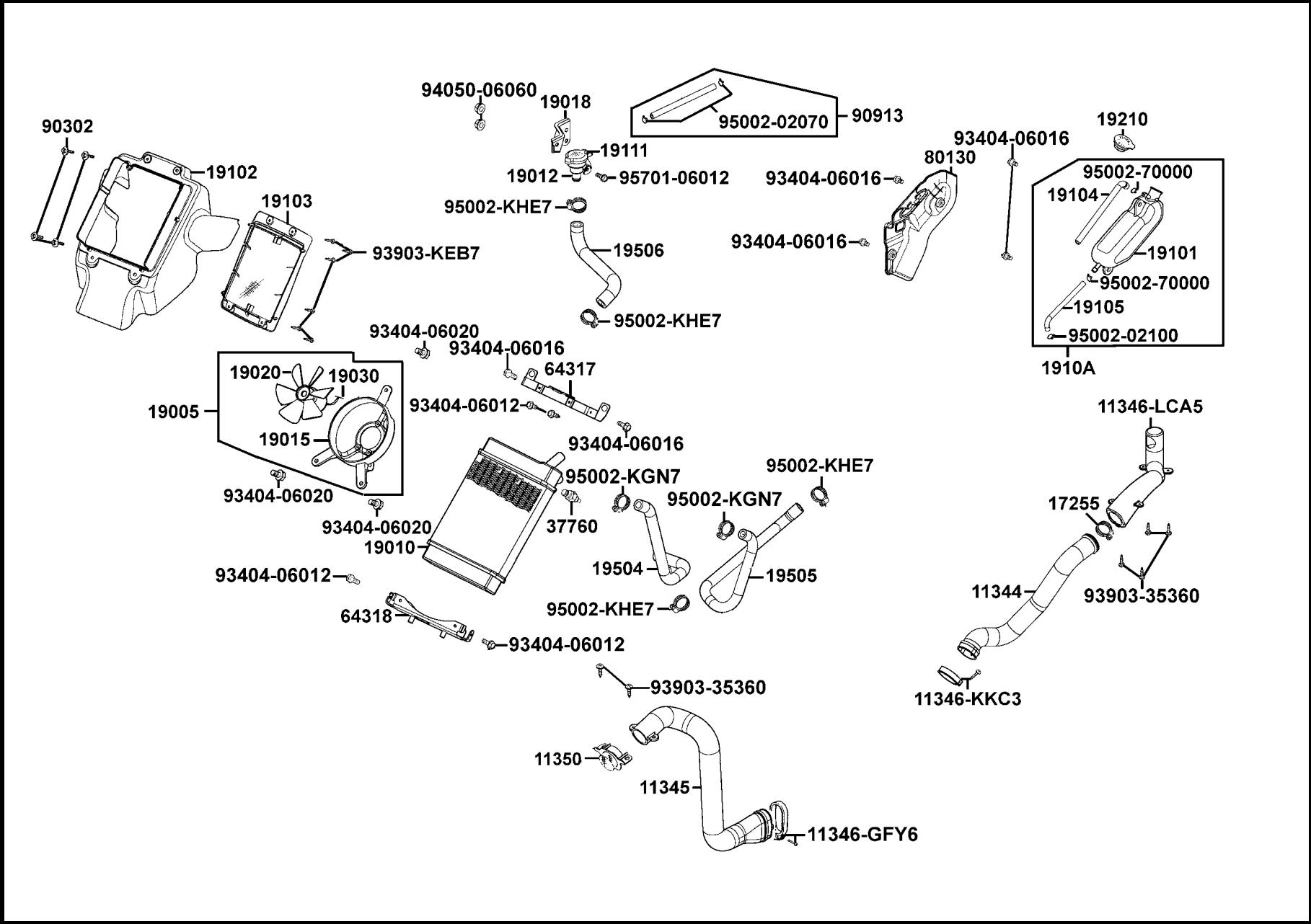




販賣記號 Sales mark	項目 Ref no	零件號碼 Part no	版數 Ver	英文名稱 Description	中文名稱 Chinese	需要用量 Regd no	建議售價 Ref Price
		11344-LCA5-E00	1	DUCT B L COVER	左側蓋導風口	1	
		11345-LCA5-E00	2	DUCT A L COVER	右邊蓋導管 A	1	
		11346-GFY6-901	0	BAND L COVER DUCT	導管束帶	1	
		11346-KKC3-900	0	BAND L COVER DUCT	束帶	1	
		11346-LCA5-E00	3	DUCT C L COVER	左側蓋導風口	1	
		11350-LCA5-E00	1	ELEMENT DUCT A L COVER	濾紙	1	
		17255-KKAK-900	0	BAND A CONNECTING	連接管夾	1	
		19005-LBA7-900	5	SHROUD ASSY	冷卻風扇馬達組	1	
		19010-LBA7-900	2	RADIATOR COMP	水箱	1	
		19012-KHD8-900	4	UNIT RADIATOR	水箱蓋組	1	
		19015-KKC4-900	2	SHROUD COMP	風扇覆環	1	
		19018-LBA7-900	1	STAY UNIT RADIATOR	水箱支架	1	
		19020-KHD8-900	0	FAN COOLING	風扇	1	
		19030-LBA7-900	2	MOTOR ASSY FAN	風扇馬達組	1	
		19101-LBA7-900	4	TANK RESERVE	預備水箱	1	
**		19102-LCA5-E00	2	DUCT COOLING AIR	冷卻空氣導管	1	
		19103-PWA1-900	1	GRID RADIATOR	水箱架	1	
		19104-LBA7-900	3	HOSE ASSY DRAIN	溢流管	1	
		19105-LCA5-E00	0	HOSE ASSY RESERVE TANK-PRESSURE VALVE	水管	1	
		1910A-LCA5-E00	0	TANK ASSY RESERVE	預備水箱組	1	

# F24

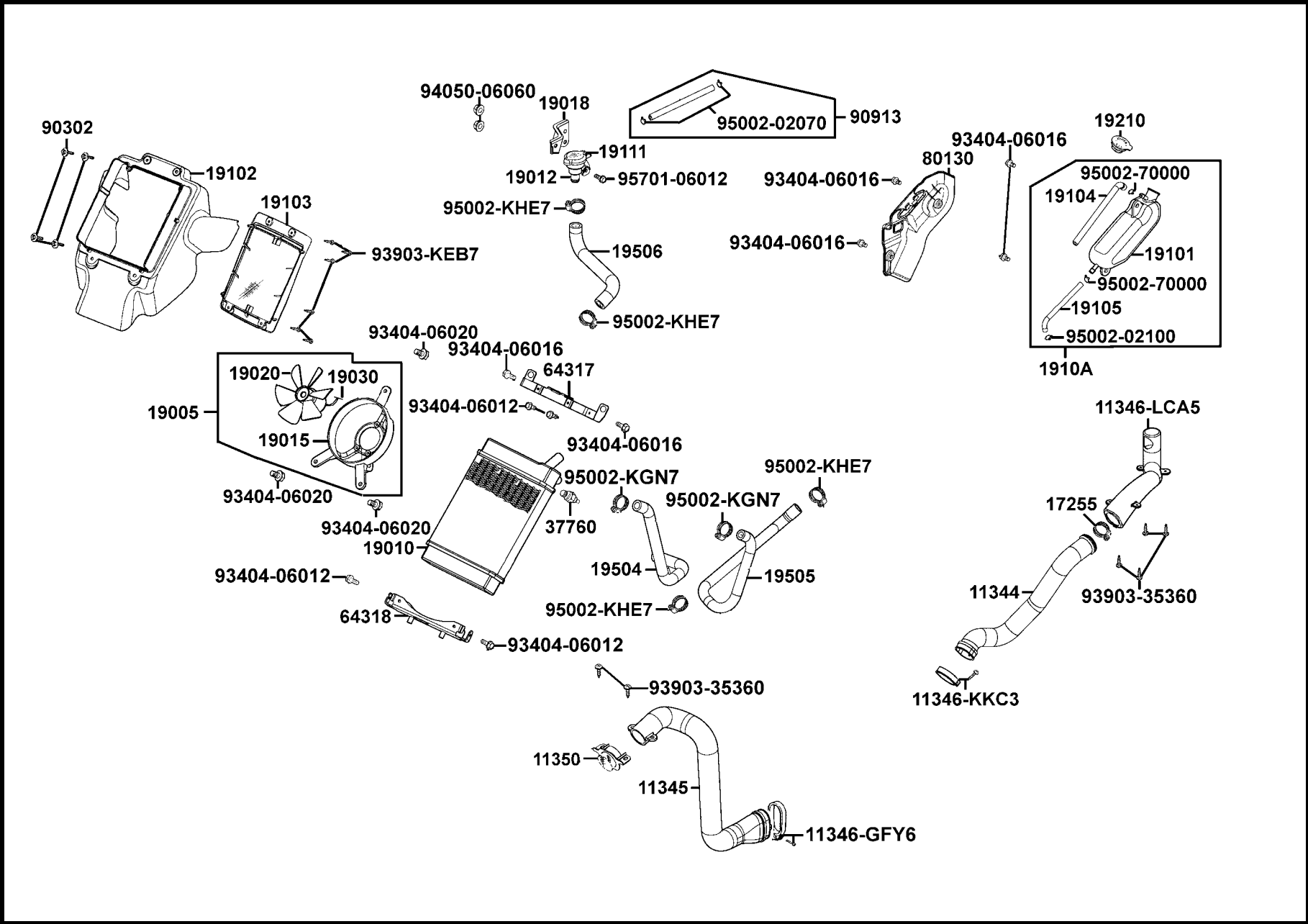
# Radiator



販賣記號 Sales mark	項目 Ref no	零件號碼 Part no	版數 Ver	英文名稱 Description	中文名稱 Chinese	需要用量 Regd no	建議售價 Ref Price
		19111-GBE2-004	1	CAP COMP	水箱蓋	1	
		19210-KKC4-900	0	CAP RESERVE TANK	儲備水箱蓋	1	
		19504-LBA7-900	2	HOSE WATER D RADIATOR-ENG	水管 D	1	
		19505-LBA7-900	2	HOSE WATER F ENG-RADIATOR	水管	1	
		19506-LBA7-900	1	HOSE WATER G RADIATOR-PRESSURE VALVE	水管 G	1	
		37760-KHD8-900	0	SW ASSY THERMO	調溫開關組	1	
		64317-LBA7-900	3	STAY RADIATOR UP	水箱上支架	1	
		64318-LBA7-900	3	STAY RADIATOR BOTTOM	油箱套筒	1	
		80130-LBA7-900	2	PROTECTOR MASTER CYLINDER	煞車主油缸護蓋	1	
		90302-GFY6-901	1	BOLT-WASH 5*12	螺絲 5*12	4	
		90913-LBA7-900	1	TUBE ASSY WATER PUMP-PRESSURE VALVE	水管	1	
		93404-06012-08	0	BOLT WASHER 6*12	螺絲 6*12	4	
		93404-06016-06	0	BOLT WASHER 6*16	螺絲 6*16	6	
		93404-06020-06	1	BOLT WASHER 6*20	螺絲 6*20	3	
		93903-KEB7-900-06	1	SCREW WASHER 4MM	螺絲 4MM	6	
		93903-35360	0	SCREW TAPPING 5*16	螺絲 5*16	6	
		94050-06060	0	NUT FLANGE 6MM	螺帽 6MM	2	
		95002-02070	0	CLIP B7 TUBE	管夾	2	
		95002-02100	0	CLIP B10 TUBE	管夾	1	
		95002-70000	0	CLIP C11 TUBE	管夾	2	

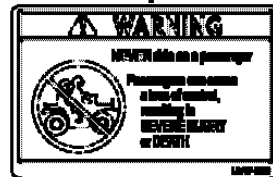
# F24

# Radiator

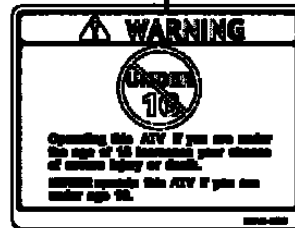


販賣記號 Sales mark	項目 Ref no	零件號碼 Part no	版數 Ver	英文名稱 Description	中文名稱 Chinese	需要用量 Regd no	建議售價 Ref Price
		95002-KHE7-900	0	CLIP WATER HOSE	水管夾	4	
		95002-KGN7-910	1	CLIP TUBE	管夾	2	
		95701-06012-06	1	BOLT FLANGE 6*12	螺絲 6*12	1	

87560



87517



87556-LLB1



87505



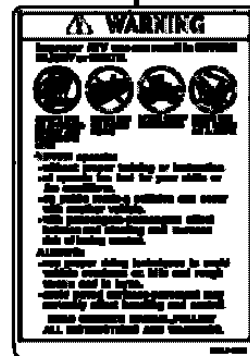
87556-LCA5



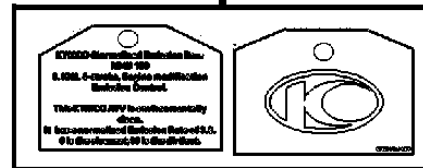
87514



87515



87522



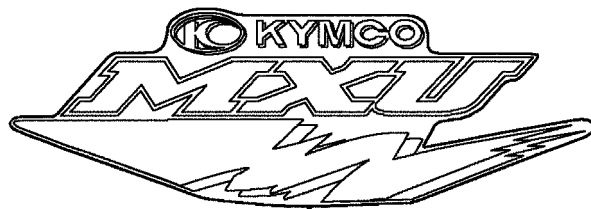
87322



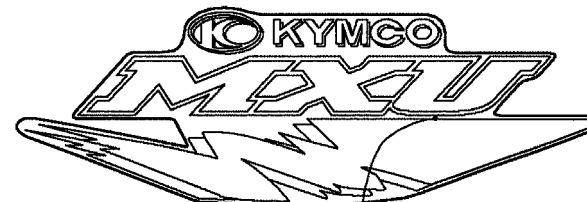
販賣記號 Sales mark	項目 Ref no	零件號碼 Part no	版數 Ver	英文名稱 Description	中文名稱 Chinese	需要用量 Regd no	建議售價 Ref Price
**		87322-LBA7-E00	2	CAUTION SHIFIT GEARS	標籤	1	
**		87505-LCA5-E00	3	LABEL TIRE OFF ROAD	標籤	1	
**		87514-LDE9-E00	1	CAUTION MAXIMUM CAPACITY	標籤	1	
**		87515-LBA7-E00	1	CAUTION LIST	標籤	1	
**		87517-LBA7-E00	2	CAUTION DRIVE AGE	標籤	1	
**		87520-LDB5-M30	2	CAUTION SHIFT HANGTAG	標籤	1	
**		87522-LDE9-M30	0	USA EPA HANG TAG	認證吊牌	1	
		87556-LCA5-E00	1	CAUTION CARRIER MAX LOAD (30KG)	標籤	1	
		87556-LLB1-E01	2	CAUTION CARRIER MAX LOAD	標籤	1	
**		87560-LBA7-E00	1	MARK DRIVE CAUTION	標籤	1	

**F26**

**Emblem Stripe**



86533



86523



87532-LBE8



86102



87532-LCA5



86623



87571



86633



販賣記號 Sales mark	項目 Ref no	零件號碼 Part no	版數 Ver	英文名稱 Description	中文名稱 Chinese	需要用量 Regd no	建議售價 Ref Price
**		86102-LCA5-900	1	STRIPE K-LOGO 30MM	標誌	1	
**		86523-LCA5-E61	4	STRIPE R FR FENDER	右前土除貼紙	1	
**		86533-LCA5-E61	4	STRIPE L FR FENDER	左前土除貼紙	1	
**		86623-LDE9-E61	2	STRIPE R RR FENDER	右後土除貼紙	1	
**		86633-LDE9-E61	2	STRIPE L RR FENDER	左後土除貼紙	1	
**		87532-LBE8-900	2	STRIPE KYMCO	標誌	1	
**		87532-LCA5-900	1	STRIPE K-LOGO 60MM	標誌	1	
**		87571-LCA5-M30	1	LABEL MIT	MIT貼紙	1	



零件號碼索引  
**PARTS NO. INDEX**

# 零件號碼索引

## PART NO. INDEX

零件號碼 PART NO.	版數 VERSION	頁次 PAGE	零件號碼 PART NO.	版數 VERSION	頁次 PAGE	零件號碼 PART NO.	版數 VERSION	頁次 PAGE
0			11346-LCA5-E00	3	F24	12431-LCD9-E00	1	E07
			11347-LBA7-900	4	E05	1290-875-2000	0	E09
			11348-LCA5-E00	5	E01	1290-880-2000	0	E09
0110-803-1100	0	E09	11350-LCA5-E00	1	F24			
0301-800-2000	0	E09	11394-LBA7-900	2	E04			
0301-803-2000	0	E09	11395-LBA7-900	1	E01	13000		
0405-019-1000	0	E09	1166-807-2200	0	E09			
0804-G38-0000	0	E09	11700-LDE9-E00	0	E01	1300-196-2001	0	E09
0901-069-6000	0	E09	11701-LCA5-E00	4	E01	13000-LDE9-E00	5	E03
0901-814-6000	0	E09	11702-LCA5-E00	1	E01	13011-KHE7-900	0	E03
			11703-LCA5-E00	4	E01	13101-LDB2-E00	4	E03
			11704-LCA5-E00	1	E01	13111-LDB2-E00	1	E03
10000			11705-LCA5-E00	3	E01	1342A-LDE9-E00	2	E03
			11706-LCA5-E00	1	E01			
1028-816-7000	0	E09	11707-LCA5-E00	1	E01			
1029-811-7001	0	E09	11708-LCA5-E00	1	E01	14000		
1029-851-7000	0	E09	1171A-LCA5-E00	4	E01			
1030-906-2100	0	E09	1198-816-2000	0	E09	1402-846-2600	0	E09
1034-868-2001	0	E09				14100-LDB2-E00	5	E02
1050-835-2705	0	E09	12000			14150-LDB2-E00	2	E02
1052-829-2100	0	E09				14401-LDE9-E00	1	E03
						14431-LDB2-E00	1	E02
11000			12100-LDE9-E00	1	E03	14450-KEBE-900	0	E02
			12191-KHE7-910	0	E03	14452-LDB2-E00	1	E02
			12200-LDE9-900	1	E02	14510-LDE9-E00	2	E03
11100-LDE9-E00	1	E01	12205-KHE8-301	0	E02	14520-GFY6-90A	1	E03
11192-LBA7-900	4	E01	12209-GDB4-68A	0	E02	14523-KED9-900	0	E03
11200-LCD9-E00	2	E01	1221A-LDB2-E00	3	E02	14531-KHE7-900	0	E03
11221-LBA7-900	1	E07	12251-KHE7-901	0	E02	14610-LDE9-E00	1	E03
11330-LDE9-E00	2	E04	1229-800-7001	0	E09	14711-LDB2-E00	2	E02
11341-LBA7-900	7	E01	1230-922-7000	0	E09	14721-LDB2-E00	2	E02
11344-LCA5-E00	1	F24	12310-LDB2-E00	3	E02	14751-KHE7-900	0	E02
11345-LCA5-E00	2	F24	12361-GFY6-901	1	E04	14761-KHE7-900	0	E02
11346-GFY6-901	0	F24	12361-GFY6-901	1	F19	14771-GDB4-680	2	E02
11346-KKC3-900	0	F24	12391-LDB2-E00	1	E02	14775-MFA6-001	0	E02

# 零件號碼索引

## PART NO. INDEX

零件號碼 PART NO.	版數 VERSION	頁次 PAGE	零件號碼 PART NO.	版數 VERSION	頁次 PAGE	零件號碼 PART NO.	版數 VERSION	頁次 PAGE
14781-MFA6-001	0	E02	17237-KED9-900	3	F13	18657-LBA7-900	4	F13
			1723A-LEC1-E00	0	F13	18658-KED9-900	2	F13
15000			17246-LBA7-900	2	F13			
			17255-KKAK-900	0	F13	19000		
			17255-KKAK-900	0	F24			
15100-LBA7-900	1	E06	17257-LBA7-900	4	F13	19005-LBA7-900	5	F24
15133-KAM1-001	0	E06	17265-LBA7-900	1	F13	19010-LBA7-900	2	F24
15141-LBA2-E00	1	E06	17369-KDB4-671	1	F13	19012-KHD8-900	4	F24
15421-1G07-001	1	E04	17369-KHC4-900	0	F13	19015-KKC4-900	2	F24
15426-GAE1-921	0	E04	17371-1D74-671	0	F13	19018-LBA7-900	1	F24
15441-1K49-001	0	E03	17500-LEC1-MYI	1	F10	19020-KHD8-900	0	F24
15447-1K49-001	0	E03	17522-LLB1-900	1	F10	19030-LBA7-900	2	F24
1565A-KKAK-900	0	E04	17524-LLB1-900	1	F10	19101-LBA7-900	4	F24
15661-LBA7-900	1	E04	1760A-LEC1-MY0	1	F10	19102-LCA5-E00	2	F24
15711-KHE7-900	0	E06	1763A-LDB5-MY0	1	F10	19103-PWA1-900	1	F24
			17700-LCA5-E00	3	F05	19104-LBA7-900	3	F24
16000			17705-LCA5-E00	1	F05	19105-LCA5-E00	0	F24
			17720-LBA7-900	1	F05	1910A-LCA5-E00	0	F24
			17910-LEC1-E00	1	F03	19111-GBE2-004	1	F24
16075-KG8-9010-M1	0	E09	17950-LDE9-E00	3	F03	19210-KKC4-900	0	F24
1610K-LEC1-900	1	E09	17957-LEC1-E00	5	F10	19215-KHE7-900	0	E04
16155-ZG8-L100	0	E09	17958-LEC1-E00	1	F10	19217-6G57-024	0	E04
1691A-GFY6-90A	3	F10				19221-KHE7-900	2	E04
1691A-GFY6-90B	2	F10				19229-LBA7-900	1	E04
16950-LBA7-900	2	F10	18000			19231-KKJ9-011	0	E04
16951-LBA7-900	3	F10				19300-KAE1-004	1	E02
16952-LLB1-900	1	F10	18291-LBA7-900	2	F14	19310-KHE7-900	1	E02
			18293-LBA7-E00	1	F14	19315-LBA7-900	1	E02
17000			18294-KTCT-900	0	F14	19502-LBA7-900	2	E04
			18294-LBA7-E00	0	F14	19504-LBA7-900	2	F24
			1830A-LDE9-700	0	F14	19505-LBA7-900	2	F24
1711A-LEC1-900	1	E02	18325-LLB1-900	1	F14	19506-LBA7-900	1	F24
17214-LBA7-900	2	F13	18424-LBA7-E00	1	F14			
1721A-LBA7-900	3	F13	18646-GFY6-941	0	E02			
17231-LBA7-900	4	F13	18656-LBA7-900	3	F13			

零件號碼索引

PART NO. INDEX

零件號碼 PART NO.	版數 VERSION	頁次 PAGE	零件號碼 PART NO.	版數 VERSION	頁次 PAGE	零件號碼 PART NO.	版數 VERSION	頁次 PAGE
21000			23226-GHC8-004	0	E05	24710-PWA1-900	6	F15
			23233-LBA7-900	1	E05	24711-PWA1-900	2	F15
21200-LCD9-E00	7	E07	23237-KHE7-900	0	E05	24721-LCD9-E00	1	F15
21202-LCD9-E00	3	E07	23238-KHE7-900	0	E05	24781-LCA5-E00	2	F15
21203-LCD9-E00	6	E07	23411-LCD9-E00	2	E08			
21395-LCD9-E00	1	E07	23421-LCD9-E00	2	E08			
21396-LCD9-E00	3	E07	23422-LCD9-E00	3	E08	28000		
			23431-LCD9-E00	5	E07			
			23440-LCD9-E00	2	E08	28101-KHE7-900	0	E06
22000			23450-LCD9-E00	3	E08	28102-LDE9-E00	1	E06
			23471-LCD9-E00	2	E08	28110-LDB2-E00	2	E06
22101-LBA7-900	1	E05	23481-LCD9-E00	2	E08	28120-LDB2-E00	0	E06
22102-KHE7-900	1	E05	23511-LCD9-E00	2	E08	28213-LCA5-E00	3	E05
22105-LBA7-900	1	E05	23518-LCD9-E00	7	E08			
22110-KHE7-900	5	E05	23519-LCD9-E00	6	E07			
22112-KHE7-900	1	E05	23520-LCD9-E00	1	E08	30000		
22121-LBA7-900	1	E05						
22131-LBA7-900	1	E05	24000					
22132-KHE7-900	2	E05				30400-LDE9-800	0	F21
22300-LBA7-900	2	E05				3051A-KHE7-900	2	F21
22350-KHE7-900	0	E05	24211-LCD9-E00	5	E08	30700-KFC8-E0H	1	F21
22361-KHE7-900	0	E05	24221-LCD9-E00	1	E08			
22401-LBA7-900	3	E05	24241-LCD9-E00	1	E08	31000		
22530-LBA7-900	2	E05	24242-LCD9-E00	3	E08			
22804-GBB2-001	0	E05	24251-LCD9-E00	4	E08	31110-LDE9-E00	1	E06
			24305-PWA1-900	1	E08	31120-LDE9-E00	1	E06
			2431A-LCD9-E00	4	E08	31210-LBA7-900	1	E06
23000			24610-LCD9-E00	5	E08	31500-KHE7-90A	2	F11
			24651-LCD9-E00	4	E08	31500-KHE7-90B	2	F11
2301A-LBA7-900	4	E05	24700-LCD9-E00	2	F15	31600-LBA7-900	6	F21
23100-KHE7-900	0	E05	24701-LCD9-E00	4	E08			
23200-KHE7-900	6	E05	24702-PWA1-900	2	F15			
23211-LCD9-E00	5	E08	24703-LLB1-900	1	F15	32000		
23220-LLJ3-E00	2	E05	24704-LBA7-900	4	F15			
23225-KHE7-900	0	E05	24707-LBA7-900	6	F15	32100-LCD9-800	1	F21

零件號碼索引

PART NO. INDEX

零件號碼 PART NO.	版數 VERSION	頁次 PAGE	零件號碼 PART NO.	版數 VERSION	頁次 PAGE	零件號碼 PART NO.	版數 VERSION	頁次 PAGE			
32101-LLB1-800	1	F21	35010-LCA5-90A	0	F21	39000	2	F21			
32161-4D04-001	2	F03	35010-LCA5-90B	0	F21						
32161-LBA7-900	0	F21	35100-LCA5-305-M1	0	F21						
32410-LBA7-900	2	E06	35100-LCA5-305-M2	0	F21						
32411-LCA5-E00	1	F21	35111-LCA5-325-M1	0	F21						
32412-LCA5-E00	2	E06	35111-LCA5-325-M2	0	F21						
32976-1G07-001	0	E01	35111-LCA5-326-M1	0	F21						
33000			35111-LCA5-326-M2	0	F21						
			35111-LLB1-327-M2	0	F21						
			35111-LLB1-328-M2	0	F21						
			3520A-LDF3-900	0	F03						
33100-LCA5-E00	5	F01	35340-LBA7-900	1	F04	40000	3	F18			
33110-LCA5-E00	0	F01	35350-KNBN-901	0	F04						
33120-LCA5-E00	0	F01	35350-LBA7-900	6	F15						
33130-LCA5-E00	0	F01	35357-LBA7-900	1	F15						
33150-LCA5-E00	5	F01	35759-LCD9-E00	4	E01						
33700-LCA5-900	1	F20	35850-KHB4-90A	0	F21						
33701-LCA5-900	0	F20	35850-KHB4-90B	1	F21						
33710-LCA5-900	2	F20	37000								
33740-LCA5-E00	1	F20									
33745-LCA5-E00	1	F20									
33750-LCA5-900	1	F20									
33751-LCA5-900	0	F20									
34000						37200-LCD9-90A	2	F02			
						37720-KGB5-900	0	E02			
						37750-PAC1-005	0	E02			
						37760-KHD8-900	0	F24			
						3780A-LCA5-900	0	F10			
34901-KFA6-900	0	F01	38000								
34903-KPCP-900	0	F01									
34905-LCA5-900	0	F20									
34906-KPCP-900	0	F20									
35000						38200-KEBE-900	0	F21			
						38500-KHD8-900	0	F21			
						3860A-LCA5-E01	3	F21			
						42000			41310-LCD9-E00	3	F19
									41320-LCD9-E00	3	F19
43000						41405-LCD9-E00	2	F19			
			41421-LCD9-E00	3	F19						
			41431-LCD9-E00	2	F19						
			41435-LCD9-E00	2	F19						
			41436-LCD9-E00	2	F19						
			41437-LCD9-E00	2	F19						
			41447-LCD9-E00-A	2	F19						
			41447-LCD9-E00-B	2	F19						
			41447-LCD9-E00-C	2	F19						
			41547-LCD9-E00-A	2	F19						
41547-LCD9-E00-B	2	F19									
41547-LCD9-E00-C	2	F19									
42302-LDE9-E00	5	F18									

零件號碼索引

PART NO. INDEX

零件號碼 PART NO.	版數 VERSION	頁次 PAGE	零件號碼 PART NO.	版數 VERSION	頁次 PAGE	零件號碼 PART NO.	版數 VERSION	頁次 PAGE
42705-LCA5-E00	4	F08	44831-KFA6-900	0	F02	45230-LBA7-900	0	F08
4270A-LCA5-E00	4	F08				45352-LBA7-900	0	F07
42710-LCA5-E0A	2	F08				45352-LBA7-900	0	F08
42710-LCA5-E0B	1	F08	45000			45353-LBA7-900	0	F07
42753-KNBN-90B	1	F07				45353-LBA7-900	0	F08
42753-KNBN-90B	1	F08	45100-LBA7-900	3	F07	45513-HBA2-007	0	F15
			45105-LBA7-305	0	F07	45513-KKC4-900	0	F04
			45105-PWA1-305	0	F08	45517-KFAF-910	0	F04
43000			45107-LBA7-900	0	F07	45525-LBA7-900	0	F04
			45107-PWA1-900	0	F08	45526-LBA7-900	0	F04
43100-PWA1-900	3	F08	45108-LBA7-900	0	F07	45527-LBA7-900	0	F04
43125-LCD9-E00	2	F04	45108-LBA7-900	0	F08	45530-LBA7-305	0	F04
43127-LCD9-E00	3	F04	45109-LBA7-900	0	F07	45531-LBA7-900	0	F07
43128-LBA7-900	1	F04	45109-PWA1-900	0	F08	45531-LBA7-900	0	F08
43350-LDE9-E00	1	F08	45110-LBA7-305	0	F07			
43500-LBA7-M30	1	F15	45110-LDE9-305	0	F08			
43503-KGC4-E01	2	F15	45121-LBA7-900	2	F07	46000		
43512-LBA7-M30	0	F15	45121-LBD5-E00	2	F08			
43514-4E45-77A	0	F15	45127-LDE9-900	1	F04	46500-LCD9-E00	2	F15
4351A-KFW6-000	0	F15	45128-LBA7-900	3	F04	46503-KCW3-001	0	F15
43530-KKC4-305	0	F04	45129-LBA7-900	3	F04	46504-MBB2-007	0	F15
43600-LDE9-E00	2	F04	45130-LBA7-900	3	F04	46513-KED9-900	1	F15
			45131-LBA7-900	2	F07			
			45132-LBA7-900	1	F04			
44000			45133-LBA7-900	0	F07	47000		
			45133-LBA7-900	0	F08			
44311-LBA7-900	1	F07	45140-LCA5-E00	3	F16	47400-LCA5-E00	1	F16
44312-LBA7-900	1	F07	45140-LCA5-E00	3	F17	47410-LCA5-E00	2	F07
44313-LBA7-900	1	F07	45200-LBA7-900	3	F07	47410-LCA5-E00	2	F08
44620-PWA2-900	1	F16	45203-LBA7-900	0	F07	47500-LCA5-E00	1	F17
44620-PWA2-900	1	F17	45203-LBA7-900	0	F08			
44705-LCA5-E00	3	F07	45209-LBA7-900	0	F07			
4470A-LDE9-900	1	F07	45209-LBA7-900	0	F07			
44710-LCA5-E0A	2	F07	45209-PWA1-900	0	F08	50000		
44830-LBA7-E00	2	F02	45210-LBA7-305	0	F07			
			45230-LBA7-900	0	F07	50100-LCD9-900	6	F22

零件號碼索引

PART NO. INDEX

零件號碼 PART NO.	版數 VERSION	頁次 PAGE	零件號碼 PART NO.	版數 VERSION	頁次 PAGE	零件號碼 PART NO.	版數 VERSION	頁次 PAGE
50166-LBA7-900	3	F22	53175-LBA7-900	0	F04	64302-LCA5-E00	4	F05
50172-LBA7-900	2	F22	53178-KFC8-E10	0	F04	64303-LCA5-E00	2	F05
50188-LCD9-E00	1	F22	53200-LBA7-900	7	F06	64304-LCA5-E00	2	F05
50219-LCA5-E00	3	F22	53205-LCA5-E00	3	F03	64307-LCA5-900	2	F05
50328-LCA5-E00	1	F11	53250-LBA7-900	2	F06	64308-LCA5-900	2	F05
50351-LBA7-900	1	F22	53251-LCA5-E00	1	F06	64317-LBA7-900	3	F24
50614-LCA5-E00	6	F23	53252-LBA7-900	4	F06	64318-LBA7-900	3	F24
50615-LCA5-E00	6	F23	53254-LBA7-900	3	F06			
			53400-PWA2-900	3	F16			
			53450-LCD9-E00	1	F16	77000		
51000			53500-PWA2-900	3	F17			
			53550-LCD9-E00	1	F17	77200-LCA5-E00	1	F09
51400-PWA1-900	4	F16	53700-LCA5-E00	4	F06	77303-LLB1-900	2	F09
51400-PWA1-900	4	F17	53701-LCA5-E00	1	F06	77330-LCA5-E00	7	F23
51406-LCA5-E00	4	F22	53702-LBA7-900	1	F15	77430-LCA5-E00	4	F23
51407-LCA5-E00	2	F22	53702-LLB1-900	8	F06			
			53703-LBA7-900	1	F15			
52000			53703-LLB1-900	8	F06	80000		
52000-LDE9-900	8	F18				80100-LCA5-E00	8	F12
52101-LCD9-E00	3	E07	60000			80110-LBA7-900	1	F12
52111-LDE9-E00	2	F18				80121-LCA5-E00	4	F12
52130-LDE9-E00	1	F18	60100-LCA5-E00	7	F05	80122-LCA5-E00	4	F12
52400-PWA1-900	4	F18	60120-LCD9-E00	5	F05	80125-LBD4-900	1	F12
						80130-LBA7-900	2	F24
53000						80200-LCA5-E00	4	F12
						80300-LCA5-E00	1	F11
			61000					
			61104-3G57-001	0	F10			
53100-LCA5-900	1	F03				83000		
53102-LBA7-900	1	F03						
5312A-LBA7-900	6	F03	64000			83500-LCA5-E00	6	F12
53131-4K39-001	0	F03				8360A-LCA5-E00	3	F12
53132-LLB1-900	6	F03	64222-LLJ3-E00	1	F12	83620-LBA7-900	2	F22
53166-KEC5-001	1	F03	64301-LCA5-E00	2	F05	83620-LCD9-E00	4	F22



零件號碼索引

PART NO. INDEX

零件號碼 PART NO.	版數 VERSION	頁次 PAGE	零件號碼 PART NO.	版數 VERSION	頁次 PAGE	零件號碼 PART NO.	版數 VERSION	頁次 PAGE
84000	1	F22	87560-LBA7-E00	1	F25	90121-LCD9-E00	5	F18
			87571-LCA5-M30	1	F26	90122-LCD9-E00	4	F18
84703-LLB1-900	1	F22	89000			90123-LCD9-E00	2	F18
85000	4	F23	89010-LBA7-900	2	F09	90133-LLB1-900	1	E01
			89020-KKC4-900	1	F09	90145-MKS9-61A-06	1	F04
85100-LCA5-E00	4	F23	90000			90164-0H28-900	1	F21
85101-LCA5-E00	2	F23				90201-KHE7-900	0	E05
86000	1	F26	90001-GBHB-661	0	E03	90201-KHR8-75A	0	E05
			90001-GBHB-661	0	E06	90201-KHR8-75A	0	E06
86102-LCA5-900	1	F26	90001-GBHB-681	0	E01	90202-1G87-001	0	E05
86523-LCA5-E61	4	F26	90001-GBHB-711	0	E01	90206-0A01-001	1	E02
86533-LCA5-E61	4	F26	90001-GFY6-901	1	E01	90242-LCD9-E00	1	F19
86623-LDE9-E61	2	F26	90001-GFY6-901	1	E08	90301-LBA7-900	1	F07
86633-LDE9-E61	2	F26	90005-KEC8-900	1	E03	90301-LBA7-900	1	F08
87000	2	F25	90012-3C33-001	0	E02	90302-GBR2-001	1	F05
			90031-KEBE-900	0	E01	90302-GBR2-001	1	F10
87322-LBA7-E00	2	F25	90031-KKA7-900	0	E01	90302-GFY6-901	1	F03
87505-LCA5-E00	3	F25	90033-GFY6-900	0	E02	90302-GFY6-901	1	F24
87514-LDE9-E00	1	F25	90033-GFY6-941	0	E02	90302-LLB1-E00-06	2	F10
87515-LBA7-E00	1	F25	90071-MLB0-001	0	E06	90302-LLB1-E00-06	2	F11
87517-LBA7-E00	2	F25	90084-4H28-001	0	E04	90302-LLB1-E00-06	2	F22
87520-LDB5-M30	2	F25	9008A-LBA7-900	2	E04	90304-4H38-001	2	E02
87522-LDE9-M30	0	F25	9008A-LCA5-E00	1	E01	90304-GLW0-90A	1	F16
87532-LBE8-900	2	F26	90101-LCA5-E00-06	2	F15	90304-GLW0-90A	1	F17
87532-LCA5-900	1	F26	90105-LBA7-900	1	F07	90304-GLW0-90A	1	F18
87556-LCA5-E00	1	F25	90105-LBA7-900	1	F08	90304-GLW0-90A	1	F22
87556-LLB1-E01	2	F25	90105-MLL0-731	1	F07	90305-MAA1-004-SY	0	F06
			90105-MLL0-731	1	F08	90306-LCD9-E00	2	E07
			90110-LLB1-800	2	F12	90311-LCD9-E00	4	E07
			90114-1F66-007	2	F04	90312-LCD9-E00	4	E07
						90313-LCD9-E00	4	E07
						90314-LCD9-E00	4	E07
						90315-LCD9-E00	4	E07
						90316-LCD9-E00	4	E07
						90317-LCD9-E00	4	E07

# 零件號碼索引

## PART NO. INDEX

零件號碼 PART NO.	版數 VERSION	頁次 PAGE	零件號碼 PART NO.	版數 VERSION	頁次 PAGE	零件號碼 PART NO.	版數 VERSION	頁次 PAGE
90318-LCD9-E00	4	E07	90478-7L00-001	0	E02	91106-LBA7-90A	0	E01
90319-LCD9-E00	4	E07	90478-7L00-001	0	E04	91106-LBA7-90A	0	E08
90320-LCD9-E00	4	E07	90501-3L10-001	0	F15	91106-LCD9-E00	1	F19
90321-LCD9-E00	4	E07	90521-0H28-001	0	E08	91201-9A51-004	0	E07
90322-LCD9-E00	4	E07	9052A-GFY6-950	1	E01	91201-KKJ9-004	0	E04
90331-LCD9-E00	4	E08	9052A-GFY6-950	1	E07	91202-KKC4-900	0	E01
90332-LCD9-E00	4	E08	90545-3L00-001	2	F04	91202-LLB1-900	1	F22
90333-LCD9-E00	4	E08	90605-1F66-721	0	E05	91206-2F86-014	0	E07
90334-LCD9-E00	4	E08	90605-KED9-900	2	E08	91211-KHE7-900	0	E05
90335-LCD9-E00	4	E08	90651-LCA5-E00	1	F01	91251-GAR1-950	0	F18
90336-LCD9-E00	4	E08	90652-GFY6-901	1	E02	91251-LCD9-E00	2	F19
90337-LCD9-E00	4	E08	90652-LCA4-E00	1	F12	91254-LDE9-E00	0	F18
90338-LCD9-E00	4	E08	90652-LCD9-E00	0	E07	91256-LCD9-E00	2	E07
90339-LCD9-E00	4	E08	90652-LLJ3-E00	0	F13	91257-2L30-006	0	F07
90340-LCD9-E00	4	E08	90653-LCD9-E00	2	E07	91257-LBA7-900	1	F07
90341-LCD9-E00	4	E08	90677-GAR1-004	1	F05	91258-LBA7-900	1	F16
90342-LCD9-E00	4	E08	90677-GAR1-004	1	F12	91258-LBA7-900	1	F17
90401-KKJ9-001	0	E06	90683-GAR1-004	4	F13	91261-4E15-004	0	E01
90401-KKJ9-001	0	E08	90750-LLB1-900	2	E01	91261-LCD9-E00	3	F19
90403-GFY6-901	0	E08	90753-GDB4-68A	0	F22	91271-LCD9-E00	2	F19
90423-KKJ9-001	0	E04	90913-LBA7-900	1	F24	91301-KHE7-900	0	E01
90441-KDY4-901	0	E01				91301-KHE7-900	0	E02
90441-LBA7-900	2	E01				91301-LCD9-E00	1	F19
90441-LDE9-E00	2	E08	91000			91302-0A01-021	0	E04
90447-KED9-900	2	E07				91302-0A01-021	0	F19
90447-KED9-900	2	E08	91001-KHV8-004	0	E01	91302-KHE7-900	0	E04
90451-LBA7-900	1	E08	91001-KKJ9-006	0	E04	91303-3G77-001	0	E04
90451-LDE9-E00	1	E08	91002-GFY6-90A	0	E07	91303-LCD9-E00	1	F19
90452-LBA7-900	1	E08	91002-GFY6-90B	0	E07	91306-1E05-691	0	E03
90455-LBA7-900	1	E08	91002-GGA7-70A	0	E05	91306-LBA7-900	2	E01
90455-LDE9-E00	2	E08	91002-LDE9-E00	1	E07	91307-0E35-001	0	E04
90458-LBA7-E00	1	E07	91004-KHE7-900	1	E05	91308-LCA5-E00	1	E01
90465-MDC4-001	0	E02	91005-LBA7-900	1	E01	91309-4E25-004	0	E06
90474-3C33-001	1	E08	91106-LBA7-900	1	E01	91309-LCD9-E00	2	E07
90474-3C33-001	1	F19	91106-LBA7-900	1	E08	91309-LDE9-E00	1	F18

零件號碼索引

PART NO. INDEX

零件號碼 PART NO.	版數 VERSION	頁次 PAGE	零件號碼 PART NO.	版數 VERSION	頁次 PAGE	零件號碼 PART NO.	版數 VERSION	頁次 PAGE
91351-GAR1-001	0	E02	93893-04012-17	0	F15	94050-06080	0	F10
91351-KHE7-900	0	E05	93893-04012-18	0	F04	94050-06080	0	F21
91509-LBA7-E00	3	E07	93903-34360	0	F05	94050-06080	0	F22
91509-LLB1-900	2	E01	93903-34360	0	F12	94050-08080	0	E02
			93903-35260	0	F01	94050-08080	0	F14
			93903-35260	0	F02	94050-08080	0	F15
92000			93903-35260	0	F05	94050-08080	0	F23
			93903-35260	0	F20	94050-LDE9-E00	1	F12
92101-05032-0H	0	E06	93903-35360	0	F05	94101-06200	0	F14
92101-06020-0H	0	E08	93903-35360	0	F12	94101-10800	0	F06
92201-05025-0H	0	E01	93903-35360	0	F24	94101-12800	0	F16
92712-06028-0B	0	E02	93903-KEB7-900-06	1	F24	94101-12800	0	F17
						94101-LCA5-E00	0	E01
93000			94000			94102-08000	5	F15
						94102-10800	0	F03
						94102-14800	0	F15
93404-06012-06	0	F13	94001-06080-0S	0	E02	94111-06800	0	F14
93404-06012-08	0	F24	94001-08080-0S	0	F14	94111-08800	0	F15
93404-06016-06	0	F01	94001-08080-0S	0	F15	94201-20120	0	F15
93404-06016-06	0	F12	94001-10080-0S	0	F03	94201-20150	0	F15
93404-06016-06	0	F24	94001-LBA7-900	1	F15	94201-25300	0	F06
93404-06020-06	1	F12	94001-LLB1-800	2	F06	94201-25300	0	F15
93404-06020-06	1	F24	94001-LLB1-900	2	F06	94201-30250	0	F06
93404-KKC2-900-06	1	F05	94002-06070-0S	0	F15	94201-30250	0	F16
93406-LLB1-900	0	F03	94002-08000-0S	0	F15	94201-30250	0	F17
93500-03010-1A	0	E06	94011-12080-0S	0	F16	94201-30300	0	F07
93500-04008-1H	0	E09	94011-12080-0S	0	F17	94201-30300	0	F08
93500-04014-1H	0	E09	94011-LBA7-900	1	F08	94301-08140	0	E01
93500-04025-0H	0	F13	94011-LLB1-900	4	F07	94301-08140	0	E04
93500-05016-0H	0	E02	94012-LLB1-900	1	F06	94301-10160	0	E01
93500-05016-0H	0	E06	94031-LCD9-E00	2	E08	94301-10160	0	E02
93500-05016-1B	0	F10	94050-05080	0	F20	94301-10160	0	E03
93600-04012-1A	0	F04	94050-06060	0	F04	94301-10160	0	E04
93600-04012-1G	0	F04	94050-06060	0	F22	94301-10160	0	E07
93600-04040-1G	0	F15	94050-06060	0	F24	94303-04065	0	E06

零件號碼索引

PART NO. INDEX

零件號碼 PART NO.	版數 VERSION	頁次 PAGE	零件號碼 PART NO.	版數 VERSION	頁次 PAGE	零件號碼 PART NO.	版數 VERSION	頁次 PAGE
94510-10000	0	E06	9500C-LEC1-MY0	1	F10	95801-10050-06	1	F17
94510-22000	0	E08	9500E-LEC1-MY0	1	F10	95801-10057-06	1	F16
94510-25000	0	E08	95701-06010-06	1	F04	95801-10057-06	1	F17
94520-26000	0	E04	95701-06010-06	1	F16	95801-10085-06	1	F22
94520-28000	0	E05	95701-06010-06	1	F17	95801-10160-06	0	F22
94520-40000	0	F22	95701-06012-06	1	F04	95801-LBA7-900-06	2	F18
94520-56000	0	E07	95701-06012-06	1	F13			
94520-58000	0	E07	95701-06012-06	1	F22			
94540-12028	0	E08	95701-06012-06	1	F24	96000		
94540-LCD9-E00	3	E08	95701-06022-06	1	F10			
94591-27000	0	F05	95701-06022-06	1	F15	96001-06010-00	0	E04
94591-27000	0	F12	95701-06025-08	0	E02	96001-06010-08	0	E01
94591-KFBF-900	2	E02	95701-06035-06	1	F15	96001-06012-06	0	F14
94591-LLB1-900	0	E01	95701-08012-06	0	F18	96001-06012-08	0	E01
94601-17000	0	E03	95701-08012-08	0	E01	96001-06012-08	0	E06
94601-33000	0	E05	95701-08012-08	0	E07	96001-06014-08	0	F15
			95701-08012-08	0	F19	96001-06016-08	0	E04
			95701-08016-06	0	F22	96001-06016-08	0	F21
95000			95701-08016-06	0	F23	96001-06018-08	0	E02
			95701-08020-06	1	F08	96001-06020-06	0	F04
95002-02070	0	F24	95701-08020-08	0	F07	96001-06020-08	0	E07
95002-02100	0	F05	95701-08025-08	0	F14	96001-06022-08	0	E04
95002-02100	0	F10	95701-08028-06	1	F15	96001-06025-08	0	E01
95002-02100	0	F24	95701-08030-08	0	F19	96001-06028-08	0	E04
95002-02150	0	E07	95701-08035-08	0	E07	96001-06028-08	0	E06
95002-02150	0	F13	95701-08040-08	0	E07	96001-06032-08	0	E01
95002-41050-00	0	F19	95701-10035-08	0	F19	96001-06045-08	0	E04
95002-41300-00	0	F10	95701-10057-06	1	F18	96001-06050-08	0	E01
95002-70000	0	F24	95801-08035-06	1	F04	96001-06110-08	0	E02
95002-KGN7-910	1	F24	95801-08035-06	1	F23	96001-06125-08	0	E04
95002-KHE7-900	0	E04	95801-08060-06	0	F06	96100-30203-10	0	F18
95002-KHE7-900	0	F24	95801-10025-08	0	F18	96100-60000-00	0	E04
95002-KKD6-E05	0	F13	95801-10040-08	0	F16	96100-60090-00	2	E07
95003-LBA7-900	1	F13	95801-10040-08	0	F17	96100-60090-00	2	F19
95005-LCD9-E00	2	F19	95801-10050-06	1	F16	96100-62050-00	2	E01

零件號碼索引

PART NO. INDEX

零件號碼 PART NO.	版數 VERSION	頁次 PAGE	零件號碼 PART NO.	版數 VERSION	頁次 PAGE	零件號碼 PART NO.	版數 VERSION	頁次 PAGE
96100-62060-00	2	F19	W					
96100-63030-00	0	E08						
96100-63040-00	1	E01	W9451-03212	0	E09			
96150-60000-10	0	F16	W9525-25250	0	E09			
96150-60000-10	0	F17	W9535-45000	0	E09			
96150-60040-10	0	F07						
96150-60060-10	0	F18						
96150-62020-10	0	F07						
96150-62030-10	0	F22						
96211-12000	0	E01						
96600-08015-10	1	E06						
98000								
98069-5791R-00	0	E02						
98200-31000	1	F21						
98200-31500	0	F21						
98200-33000	0	F21						
99000								
99101-393-1120	0	E09						
N								
N413-03C00	0	E09						
N424-25B38	0	E09						
N425-LRA00	0	E09						
N426-35236	0	E09						
N446-45A00	0	E09						