

零件型錄
PARTS CATALOGUE

LAA0AM(US):JUL/18/07



光陽機車 KYMCO 光陽機車 KYMCO 光陽機車 KYMCO

前 言

本零件目錄適用於 LAA0AM(US)機種，訂購零件時，請參照本冊。

本冊之配色表僅供參考，若與實車不符之處，以實車為準。

販賣記號(Sales mark)：

- 1.註明“**”記號，表示訂購該零件時，請參照機車相片及配色表，並請在基本零件號碼最後加上色碼。

本冊付梓印刷倉促，倘有錯誤或遺漏之處，敬請不吝賜教指正。

ABOUT THIS PARTS LIST

This parts list is compiled all service parts for model LAA0AM(US) .

Any difference between color chart and motorcycle will be revised according to motorcycle .

The sales mark :

- 1.marking” ** “must add color code in the end before ordering parts .

When modification or additions to this parts list are made a revised edition at an appropriate time .

目 次

前 言	1
LAA0AM(US)配色表	5
引擎分組圖	7
車架分組圖	9
引擎零件號碼表	13
車架零件號碼表	67
零件號碼索引	147

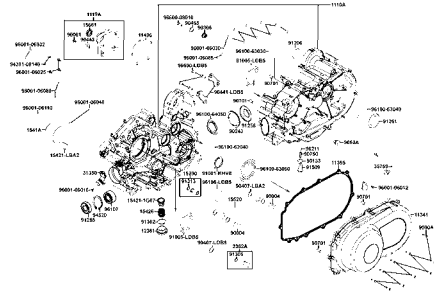
CONTENTS

ABOUT THIS PARTS LIST	1
COLOR CHART OF LAA0AM(US)	5
CONTENTS-ENGINE GROUP	7
CONTENTS-FRAME GROUP	9
ENGINE PARTS LIST	13
FRAME PARTS LIST	67
PART NO. INDEX	147

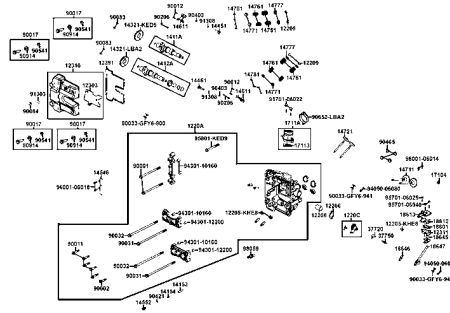
項次 NO	機種名稱 (MODEL)			LAA0AM(US) COLOR CHART
	相片號碼 (PHOTO NO)			NO.1
	主體色 (BASIC COLOR)			GG405TA
	色碼 (CODE)			Jungle Green
	色別零件名稱(PARTS NAME)	基本零件號碼(PARTS NO)	版數(VERSION)	叢林綠
1	TANK COVER	17700-LDB5-E00	2	Q9P
2	COVER HANDLE	53205-LDB5-E00	3	Q9P
3	FENDER FRONT	60100-LDB5-E00	3	Q9P
4	LID ASSY TOOL BOX	6010C-LDB5-E00	3	Q9P
5	COVER ASSY FRONT	6430A-LDB5-E00	1	Q9P
6	FENDER RAER	80100-LDB5-E00	4	Q9P
7	COVER LEFT	11341-LDB5-E00	3	NEA
8	COVER STARTING	11348-LDB5-E00	2	NEA
9	COVER COMP HEAD	12310-LDB5-E00	1	N8A
10	COVER FUEL COCK	16951-LDB5-E00	2	N1R
11	GUARD FUEL TANK	17550-LDB5-E00	1	N1R
12	PLATE HEAT INSULATION	17560-LDB5-E00	1	N1R
13	DUCT COOLING AIR	19102-LDB5-E00	1	N1R
14	GUIDE COVER CHANGE HNDL	60120-LDB5-E00	3	N1R
15	PROTECTOR R	60130-LDB5-E00	3	N1R
16	MUDGUARD R FR SIDE	61200-LDB5-E00	1	N1R
17	MUDGUARD L FR SIDE	61300-LDB5-E00	1	N1R
18	GUARD ENGINE	64300-LDB5-E00	2	N1R
19	BUMPER FRONT	64302-LDB5-E00	3	N1R
20	COVER R LOWER	64330-LDB5-E00	4	N1R
21	COVER L LOWER	64340-LDB5-E00	4	N1R
22	GUARD BOOT	64500-LDB5-E00	3	N1R
23	COVER ASSY CARRIER	7734A-LDB5-E00	2	N1R
24	MUDGUARD R FLOOR	80121-LDB5-E00	2	N1R
25	MUDGUARD L FLOOR	80122-LDB5-E00	2	N1R
26	MUDGUARD REAR	80200-LDB5-E00	2	N1R
27	MUDGUARD R RR SIDE	81200-LDB5-E00	1	N1R
28	MUDGUARD L RR SIDE	81300-LDB5-E00	1	N1R
29	CALIPER ASSY RR	43100-PWA1-900	3	NJA
30	CALIPER ASSY RR	43200-LDE9-E00	3	NJA
31	CALIPER ASSY FR R	45100-LDB5-900	2	NJA
32	CALIPER ASSY FR L	45200-LDB5-900	2	NJA
33	STRIPE 4X4	86303-LDB5-E00	2	T02
34	STRIPE KYMCO 120 MM	87503-LDB5-900	2	T02
35	STRIPE KYMCO	87532-LBE8-900	2	T02
36	SEAT ASSY	77200-LDB5-E00	4	T01
37	STRIPE K-LOGO 28.5 MM	86102-LDB5-900	1	T01
38	EMB GEAR REVEL CHANGE	86302-LDB5-E00	1	T01
39	CAUTION SHIFT GEARS	87322-LBA7-E00	2	T01
40	LABEL TIRE ON ROAD	87505-LDB5-E00	1	T01
41	CAUTION MAXIMUN CAPACITY	87514-LDB5-E00	1	T01
42	DRIVE WARNING LISTON ROAD	87515-LDB5-E00	1	T01
43	CAUTION DRIVE AGE 16	87517-LDB5-E00	2	T01
44	CAUTION SHIFT HANGTAG	87520-LDB5-M30	2	T01
45	USA EPA HANGTAG	87522-LDB5-M30	3	T01
46	WARNING CARRIER MAX LOAD	87556-LDB5-E00	1	T01
	生產日期(DATE OF STARTING-SALES)			2007.06.01
	停產日期(DATE OF ENDING-SALES)			

CONTENTS-ENGINE GROUP

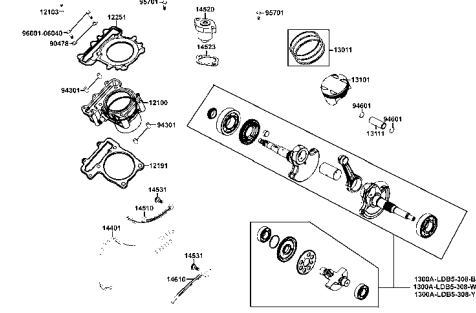
E01 Crank Case



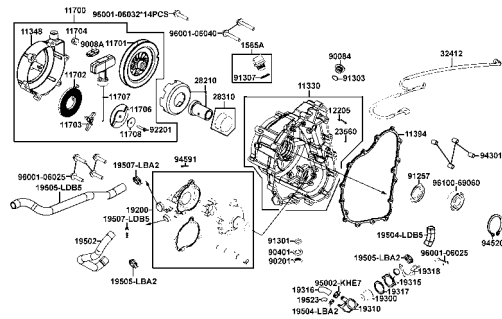
E02 Cylinder Head Cover Cylinder Head



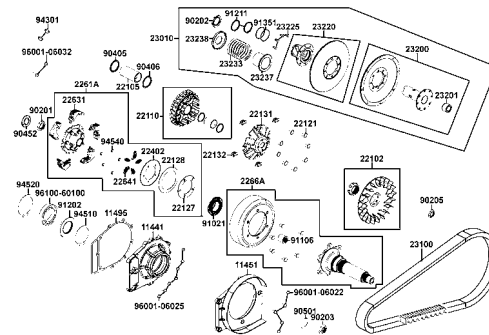
E03 Cylinder Piston Crankshaft



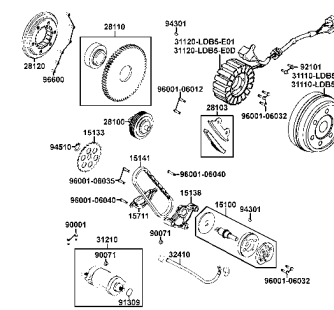
E04 Right Crankcase Cover Water Pump



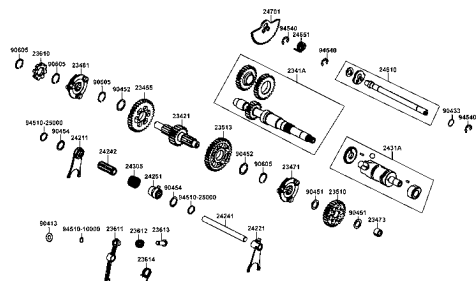
E05 Drive Pulley



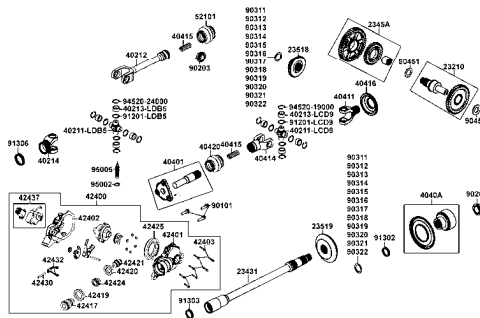
E06 Starting Motor Generator



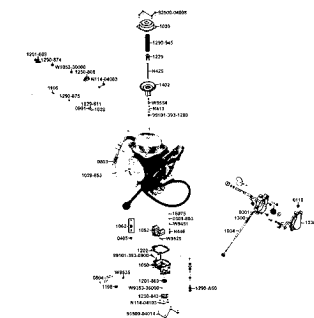
E07 Clutch Assy Primary

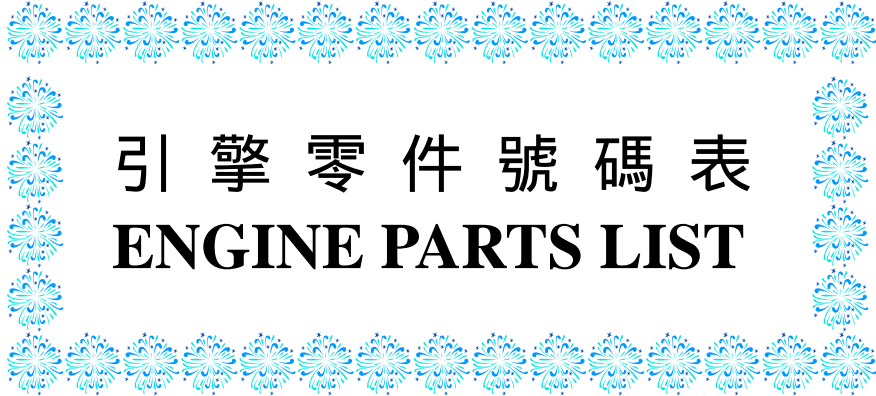


E08 Shaft Reduction



E09 Carburetor

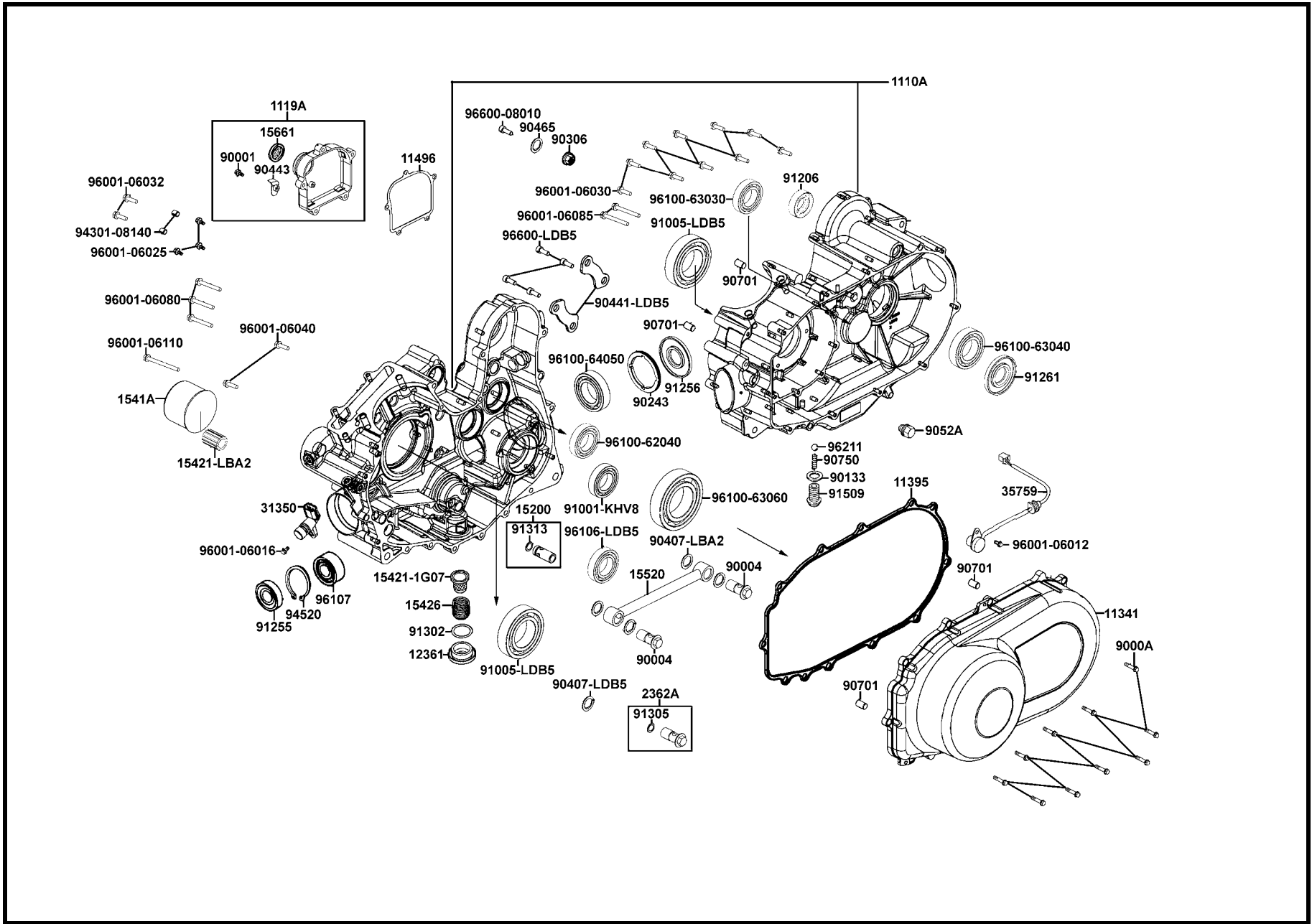




引擎零件號碼表
ENGINE PARTS LIST

E01

Crank Case



販賣記號 Sales mark	項目 Ref no	零件號碼 Part no	版數 Ver	英文名稱 Description	中文名稱 Chinese	需要用量 Regd no	建議售價 Ref Price
		1110A-LDB5-E00	0	CRANK ASSY R/L	曲軸箱總成	1	
		1119A-LDB5-E00	4	CAP ASSY R CASE	右曲軸箱蓋	1	
**		11341-LDB5-E00	3	COVER LEFT	左曲軸箱蓋	1	
		11395-LDB5-E00	0	GASKET L COVER	左曲軸箱蓋墊片	1	
		11496-LDB5-E00	3	GASKET R CASE CAP	墊片	1	
		12361-GFY6-901	1	HOLD CAP TAPPET ADJUST	螺帽	1	
		15200-KED9-900	7	OIL RELIEF VALVE ASSY	油門閥組	1	
		1541A-LBA2-E00	1	ELEMENT COMP OIL FILTE	海綿濾清器	1	
		15421-1G07-001	1	SCREW OIL FILTER	螺絲	1	
		15421-LBA2-E00	2	BOLT OIL FILTER	螺絲	1	
		15426-GAE1-921	0	SPG OIL FILTER SCREW	彈簧	1	
		15520-LDB5-E00	1	PIPE COMP OIL	機油承軸	1	
		15661-LBA7-900	1	FINDER OIL LEVEL	機油檢視窗	1	
		2362A-LDB5-E00	1	BOLT ASSY PARK	螺絲	1	
		31350-LDB5-E0A	1	SENSOR SPEED	感測器	1	
		35759-LDB5-E00	3	SW ASSY GEAR CHANGE	檔位燈變換開關組	1	
		90001-GFY6-901	1	SOCKET BOLT 6*10	螺絲 6*10	1	
		9000A KTDT-900	0	BOLT ASSY SPECIAL 6*29.5	螺絲 6*29.5	10	
		90004-LBA2-E00	3	BOLT B OIL PASS	螺栓	2	
		90133-LDB5-E00	1	WASHER BOLT SEAT	華司	1	

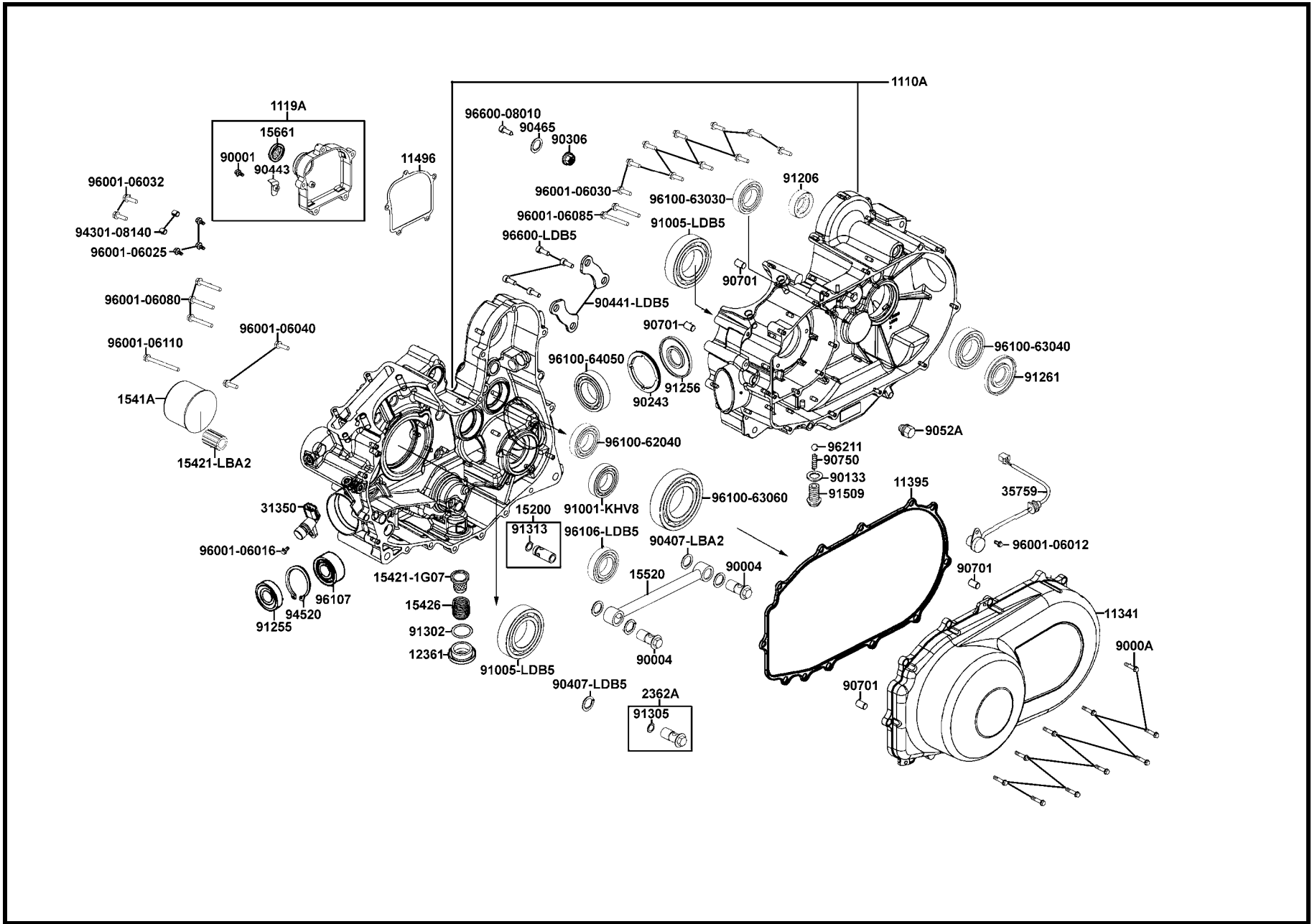
E01

販賣記號 Sales mark	項目 Ref no	零件號碼 Part no	版數 Ver	英文名稱 Description	中文名稱 Chinese	需要用量 Regd no	建議售價 Ref Price
		90243-LDB5-E00	1	NUT LOCK 85MM	螺帽 85MM	1	
		90306-KLF0-004-SY	0	NUT FLANGE 12MM	螺帽 12MM	1	
		90407-LBA2-E00	2	SEALING WASHER OIL PIPE	墊片	4	
		90407-LDB5-E00	0	WASHER THRUST 12*30*1	華司 12*30*1	1	
		90441-LDB5-E00	3	PLATE BRG HOLD	華司	2	
		90443-LDB5-E00	2	PLATE FINDER HOLD	華司	1	
		90465-MDC4-001	0	WASHER 8MM	華司 8MM	1	
		9052A-LDB5-E00	1	BOLT ASSY DRAIN PLUG	洩油螺絲	1	
		90701-9E65-001	0	PIN DOWEL 10*16	插銷	4	
		90750-LDB5-E00	3	SPG STOPPER	彈簧	1	
		91001-KHV8-004	0	BRG BALL RADIAL 6305	軸承 6305	1	
		91005-LDB5-E00	1	BEARING BALL RADIAL 6205	軸承 6205	2	
		91206-LDB5-E00	0	OIL SEAL 14*24*7	油封 14*24*7	1	
		91255-LDB5-E00	1	OIL SEAL 35*67*7	油封 35*67*7	1	
		91256-LDB5-E00	1	OIL SEAL 35*90*7	油封 35*90*7	1	
		91261-LDB5-E00	2	OIL SEAL 30*72*8	油封 30*72*8	1	
		91302-0A01-021	0	O-RING 30.8MM	O環 30.8MM	1	
		91305-GLE0-001	0	O-RING 9*1.7	O環 9*1.7	1	
		91313-KED9-900	3	O-RING 15.5*1.5	O環 15.5*1.5	1	
		91509-LDB5-E00	5	BOLT STOPPER	螺絲	1	

E01

E01

Crank Case



販賣記號 Sales mark	項目 Ref no	零件號碼 Part no	版數 Ver	英文名稱 Description	中文名稱 Chinese	需要用量 Regd no	建議售價 Ref Price
		94301-08140	0	DOWEL PIN 8*14	定位銷 8*14	2	
		94520-65000	1	CIR CLIP IN 65	夾子	1	
		96001-06012-08	0	BOLT FLANGE SH 6*12	螺絲 6*12	1	
		96001-06016-08	0	BOLT FLANGE SH 6*16	螺絲 6*16	1	
		96001-06025-08	0	BOLT FLANGE SH 6*25	螺絲 6*25	3	
		96001-06030-08	0	BOLT FLANGE SH 6*30	螺絲 6*30	10	
		96001-06032-08	0	BOLT FLANGE SH 6*32	螺絲 6*32	2	
		96001-06040-08	0	BOLT FLANGE SH 6*40	螺絲 6*40	2	
		96001-06080-08	0	BOLT FLANGE SH 6*80	螺絲 6*80	3	
		96001-06085-06	0	BOLT FLANGE SH 6*85	螺絲 6*85	2	
		96001-06110-08	0	BOLT FLANGE SH 6*110	螺絲 6*110	1	
		96100-62040-00	0	BRG BALL RADIAL 6204	軸承 6204	1	
		96100-63030-00	0	BEARING BALL RADIAL 6303	軸承 6303	1	
		96100-63040-00	1	BRG BALL RADIAL 6304	軸承 6304	1	
		96100-63060-00	0	BRG BALL RADIAL 6306	軸承 6306	1	
		96100-64050-00	1	BRG BALL RADIAL 6405	軸承 6405	1	
		96106-LDB5-E00	1	BEARING BALL RADIAL	軸承	1	
		96107-LDB5-E00	1	BEARING BALL RADIAL	軸承	1	
		96211-16000	2	SAE 1015	鋼珠	1	
		96600-08010-10	1	SOCKET BOLT 8*10	螺絲 8*10	1	

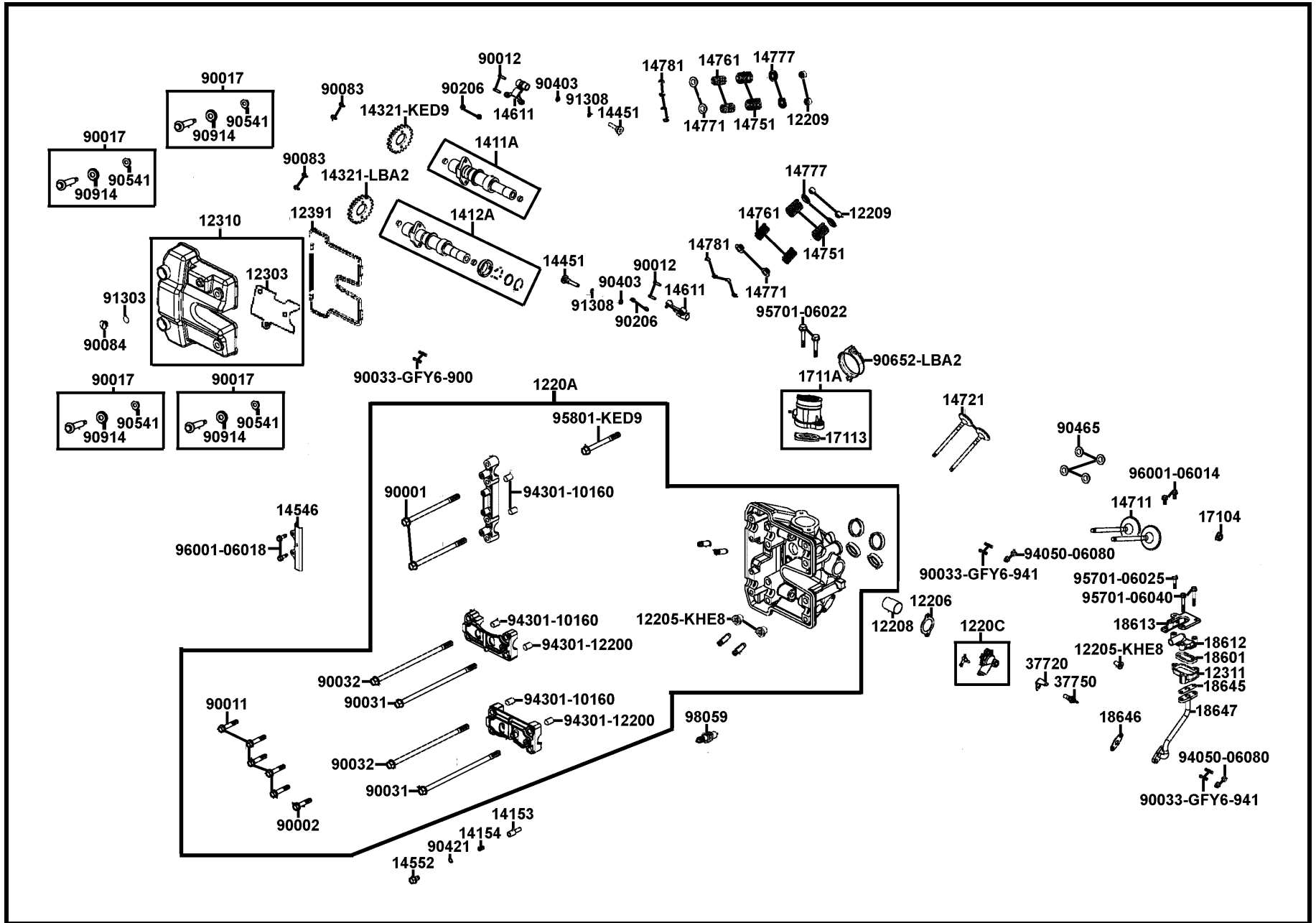
E01

販賣記號 Sales mark	項目 Ref no	零件號碼 Part no	版數 Ver	英文名稱 Description	中文名稱 Chinese	需要用量 Regd no	建議售價 Ref Price
		96600-LDB5-E00	1	SOCKET BOLT 8*20	螺絲 8*20	4	

E01

E02

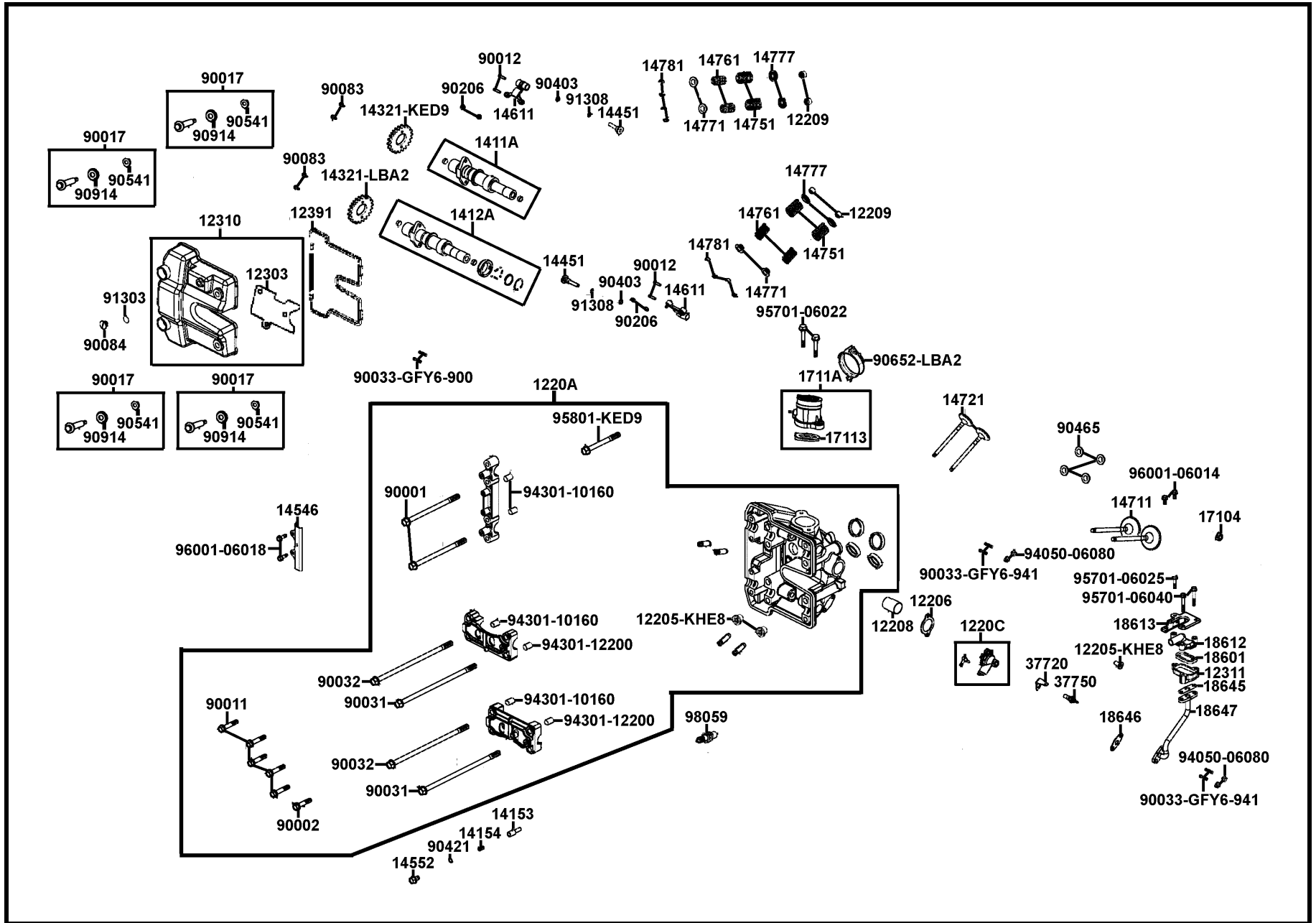
Cylinder Head Cover Cylinder Head



販賣記號 Sales mark	項目 Ref no	零件號碼 Part no	版數 Ver	英文名稱 Description	中文名稱 Chinese	需要用量 Regd no	建議售價 Ref Price
		1220A-LDG7-900	2	HEAD ASSY CYLNDER	汽缸頭	1	
		12205-KHE8-301	1	BOLT SEALING 12MM	封閉螺絲	3	
		1220C-LBA2-E00	1	COVER COMP WATER A	冷卻水蓋A	1	
		12206-LBA2-E00	2	GASKET WATER COVER	墊片	1	
		12208-LBA2-E00	3	STOPPER HEAD WATER	止動閥	1	
		12209-GDB4-68A	0	SEAL VALVE STEM	閥門徑封	4	
		12303-LBA2-E00	3	GASKET PLATE	薄板墊片	1	
**		12310-LDB5-E00	1	COVER COMP HEAD	汽缸頭蓋	1	
		12311-KBE2-900	4	BODY REED VALVE	單向閥	1	
		12391-LBA2-E00	1	SEAL HEAD COVER	汽缸頭蓋墊片	1	
		1411A-LBA2-E00	9	CAMSHAFT INLET COMP	輪軸	1	
		1412A-LBA2-E00	8	CAMSHAFT EXH COMP	輪軸	1	
		14153-LBA2-E00	3	STOPPER	止動閥	1	
		14154-LBA2-E00	1	SPRING STOPPER	彈簧	1	
		14321-KED9-900	5	SPROCKET CAMSHAFT	齒輪	1	
		14321-LBA2-E00	2	SPROCKET CAMSHAFT	齒輪	1	
		14451-LBA2-E00	2	SHAFT ROCKER ARM	臂軸	2	
		14546-LBA2-E00	4	GUIDE UPPER TENSIONER	導管	1	
		14552-LBA2-E00	1	PLUG ADJUSTER	調整器室	1	
		14611-LBA2-E00	3	ARM VALVE ROCKER	搖桿臂門閥	2	

E02

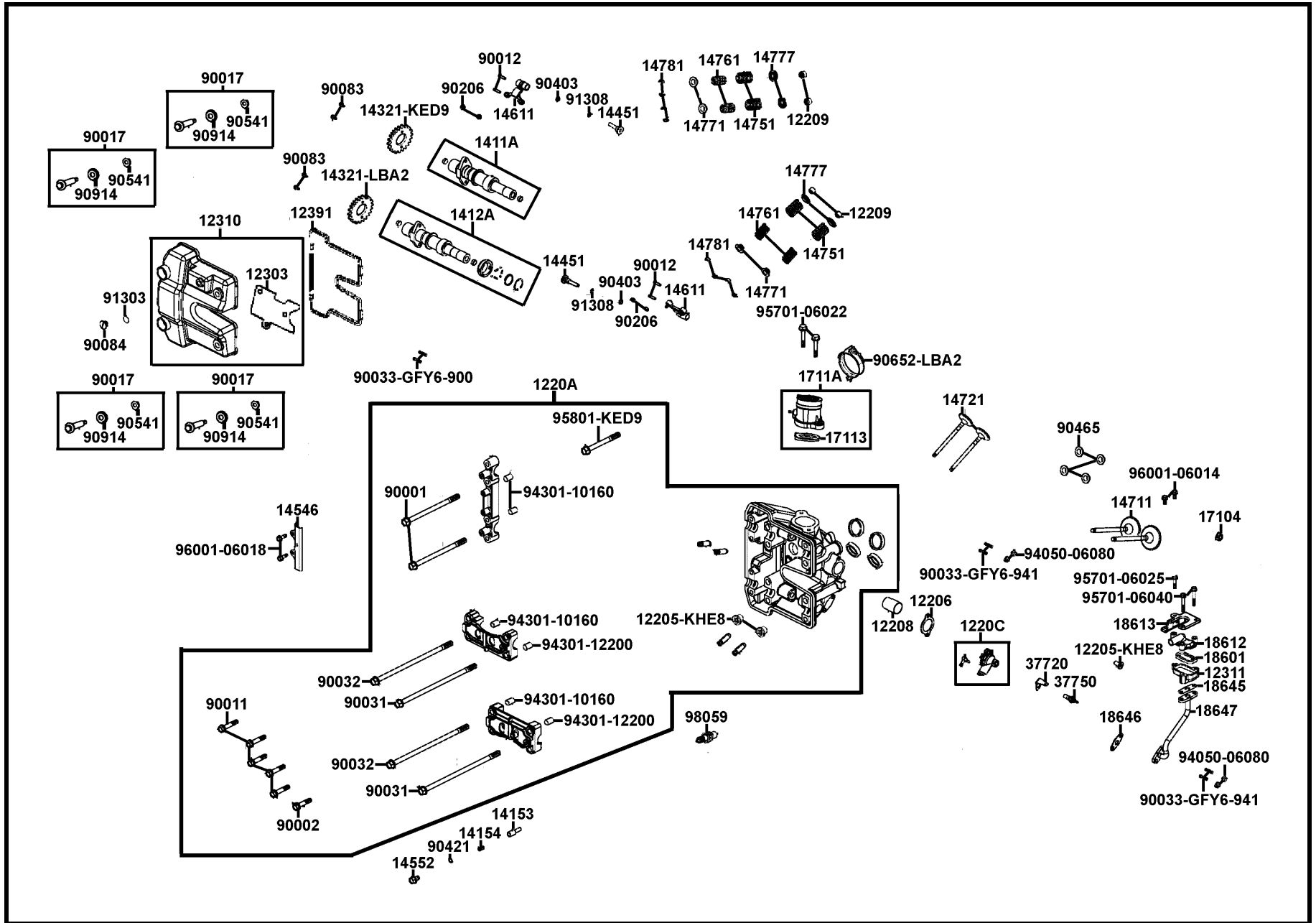
Cylinder Head Cover Cylinder Head



販賣記號 Sales mark	項目 Ref no	零件號碼 Part no	版數 Ver	英文名稱 Description	中文名稱 Chinese	需要用量 Regd no	建議售價 Ref Price
		14711-LDG7-900	1	VALVE INLET	進氣門閥	2	
		14721-LBA2-E00	1	VALVE EXHAUST	排氣門閥	2	
		14751-LBA2-E00	1	SPG VALVE OUTER	門閥外彈簧	4	
		14761-LDG7-900	1	SPG VALVE INNER	門閥內彈簧	4	
		14771-KED9-900	2	RETAINER VALVE SPRING	閥門彈簧定位器	4	
		14777-LBA2-E00	2	SEAT VALVE SPG	彈簧門閥	4	
		14781-MFA6-001	0	COTTER VALVE	閥門鎖扣	8	
		17104-LDB5-E00	1	SOCKET INLET PIPE	承口	1	
		1711A-LDB5-E00	3	PIPE ASSY INLET	通氣管	1	
		17113-LBA2-E00	1	O-RING INLET PIPE	O環	1	
		18601-KBE2-900	4	REED VALVE COMP LDV 52	簧片單閥	1	
		18612-KFB5-900	1	COVER REED VALVE	簧片單向閥蓋	1	
		18613-LDB5-E00	2	STAY REED VALVE ASSY	支架組	1	
		18645-LBA2-E00	1	GASKET A/I PIPE	進器鐵管墊片	1	
		18646-GFY6-941	0	GASKET A/I PIPE	通氣管墊片	1	
		18647-LBA2-E00	4	PIPE COMP AIR	通氣鐵管	1	
		37720-KGB5-900	0	EARTH TERMINAL THERMO	恆溫器座	1	
		37750-PAC1-005	0	THERMO UNIT ASSY	自動控溫器	1	
		90001-LBA2-E00	2	BOLT UBS 8*137	螺絲 8*137	2	
		90002-LBA2-E00	2	BOLT UBS 8*201	螺絲 8*201	1	

E02

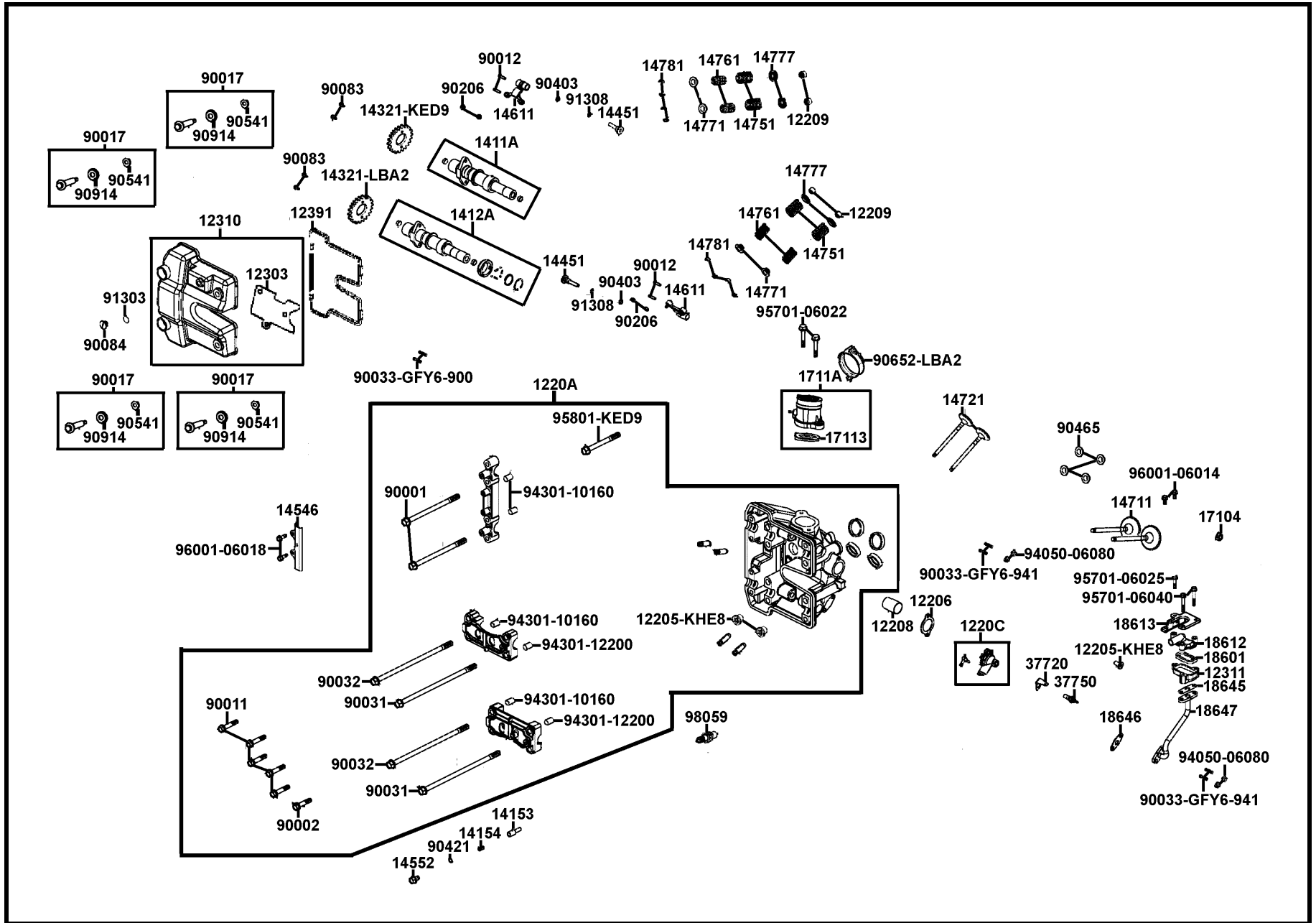
Cylinder Head Cover Cylinder Head



販賣記號 Sales mark	項目 Ref no	零件號碼 Part no	版數 Ver	英文名稱 Description	中文名稱 Chinese	需要用量 Regd no	建議售價 Ref Price
		90011-KED9-900	1	BOLT UBS 8*48	螺絲 8*48	5	
		90012-3C33-001	0	SCREW TAPPET ADJUSTING	汽門間隙調整螺絲	4	
		90017-KED9-900	3	BOLT ASSY HEAD COVER	螺絲組	4	
		90031-LBA2-E00	3	BOLT UBS 10*220	螺絲 10*220	2	
		90032-LBA2-E00	3	BOLT UBS 10*210	螺絲 10*210	2	
		90033-GFY6-900	0	BOLT STUD 8*32	雙頭螺絲 8*32	2	
		90033-GFY6-941	0	BOLT STUD 6*16	特殊螺絲 6*16	4	
		90083-KED9-900	2	BOLT KNOCK 6MM	螺絲 6MM	4	
		90084-4H28-001	0	CAP ACG	ACG蓋	1	
		90206-0A01-001	1	NUT TAPPET ADJG	汽門間隙調整螺帽	4	
		90403-KED9-900	2	WASHER WAVE 10MM	墊片 10MM	2	
		90421-LBA2-E00	1	WASHER SEALING	墊片	1	
		90465-LBA2-E00	1	WASHER 10.2 MM	墊片 10.2MM	4	
		90541-KED9-900	1	RUBBER MOUNTING	絕緣橡皮	4	
		90652-LBA2-E00	0	C-HOPE 40-59	夾子	1	
		90914-KED9-900	3	WASHER HEAD COVER BOLT	華司	4	
		91303-3G77-001	0	O-RING 13.8*2.5	O環13.8*2.5	1	
		91308-KED9-900	1	O-RING 17.5*1.5	O環17.5*1.5	2	
		94050-06080	0	NUT FLANGE 6MM	螺帽 6MM	4	
		94301-10160	0	DOWEL PIN 10*16	定位銷 10*16	4	

E02

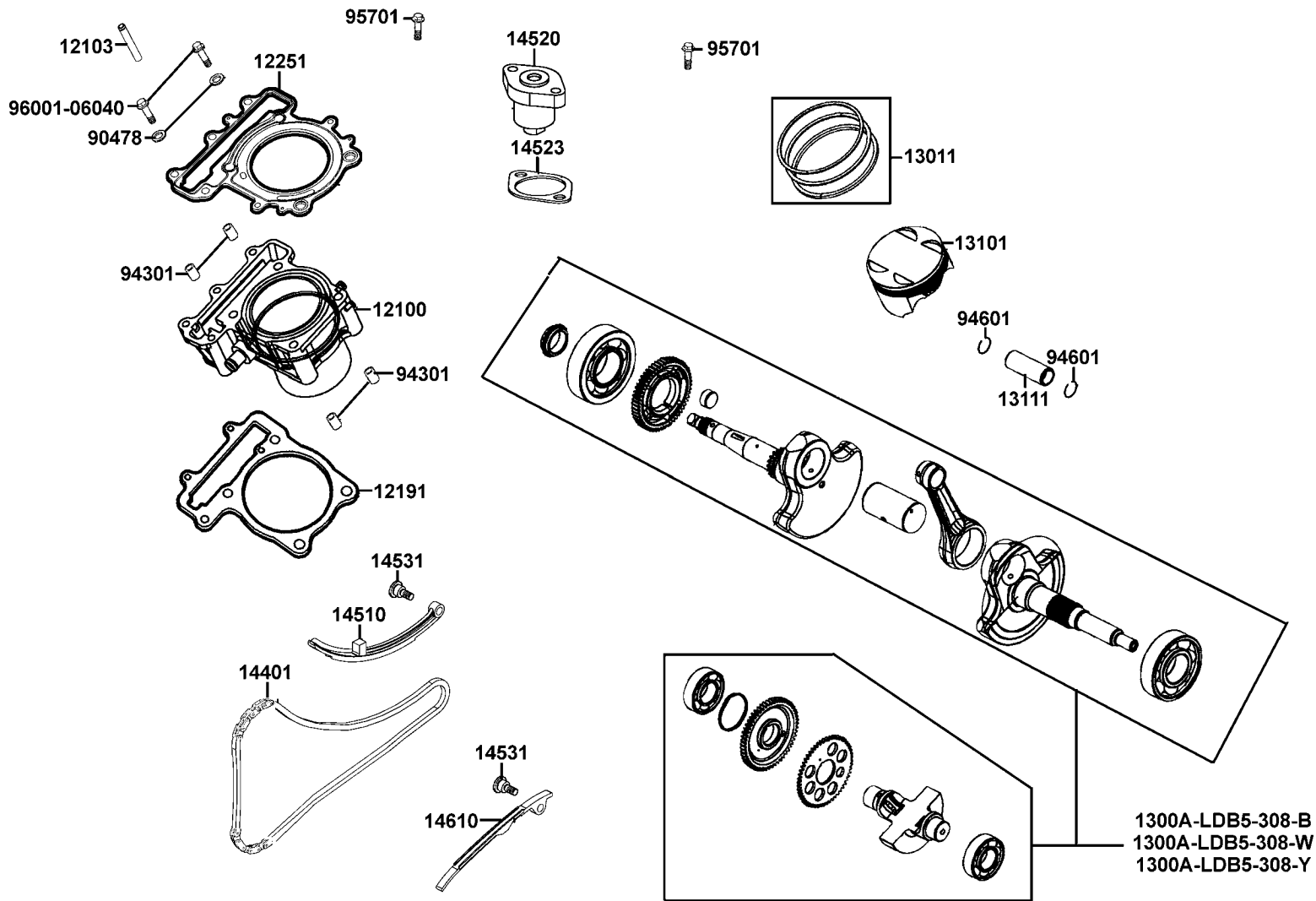
Cylinder Head Cover Cylinder Head



販賣記號 Sales mark	項目 Ref no	零件號碼 Part no	版數 Ver	英文名稱 Description	中文名稱 Chinese	需要用量 Regd no	建議售價 Ref Price
		94301-12200	1	DOWEL PIN 12*20	定位銷 12*20	2	
		95701-06022-08	0	BOLT FLANGE 6*22	螺絲 6*22	2	
		95701-06025-08	0	BOLT FLANGE 6*25	螺絲 6*25	1	
		95701-06040-08	0	BOLT FLANGE 6*40	螺絲 6*40	2	
		95801-KED9-900	2	BOLT UBS 8*71	螺絲 8*71	1	
		96001-06014-08	0	BOLT FLANGE SH 6*14	螺絲 6*14	2	
		96001-06018-08	0	BOLT FLANGE SH 6*18	螺絲 6*18	2	
		98059-57916-00	2	SPARK PLUG CR7E	火星塞	1	

E03

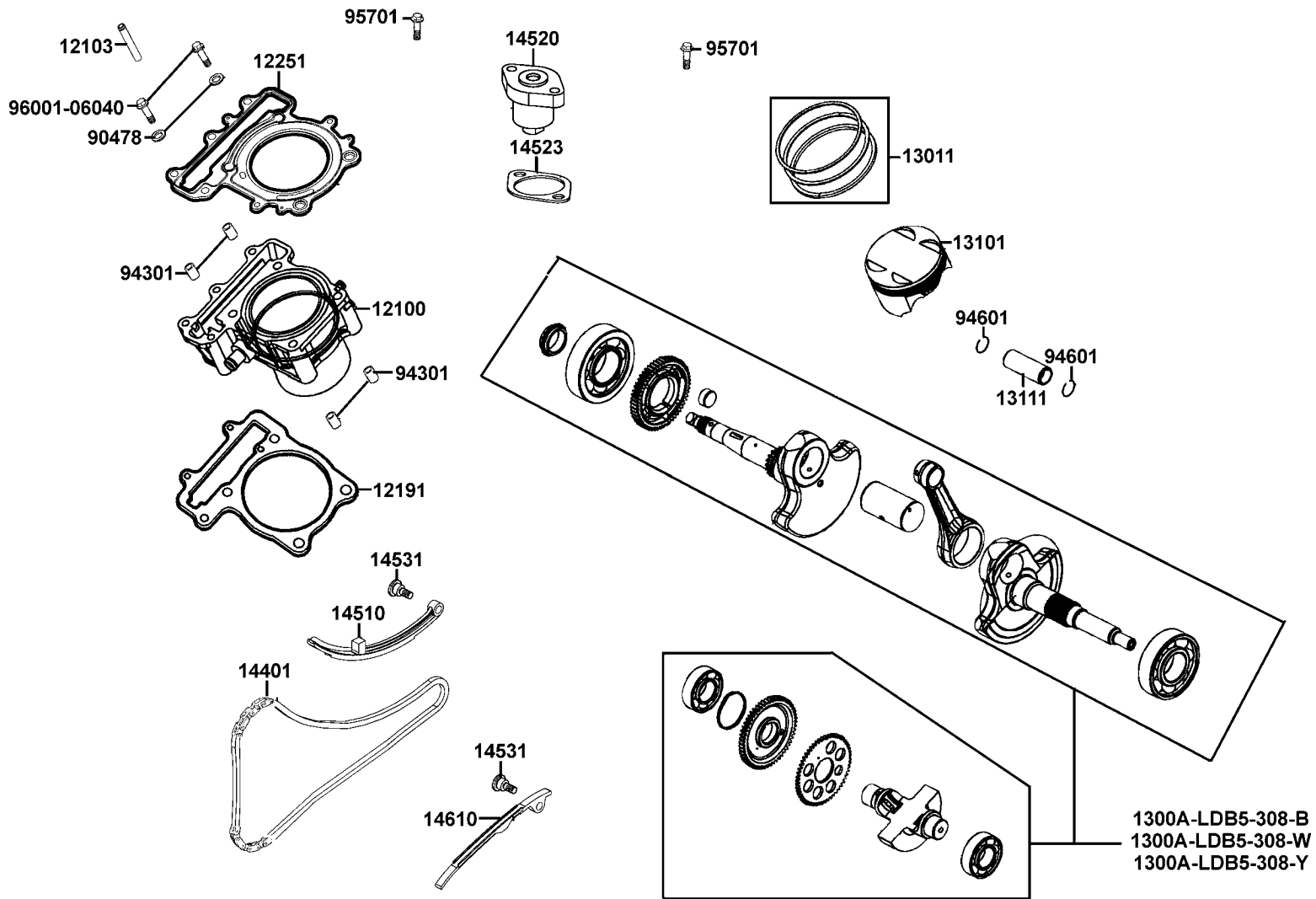
Cylinder Piston Crankshaft



販賣記號 Sales mark	項目 Ref no	零件號碼 Part no	版數 Ver	英文名稱 Description	中文名稱 Chinese	需要用量 Regd no	建議售價 Ref Price
		12100-LDB5-E00	4	CYLINDER COMP	汽缸	1	
		12103-LBA2-E00	1	STOPPER CYLN WATER	汽缸止動閥	1	
		12191-LDB5-E00	2	GASKET CYLINDER	汽缸墊片	1	
		12251-LBA2-E00	3	GASKET CYLINDER HEAD	汽缸頭墊片	1	
		1300A-LDB5-309	0	CRANK BLANCER COMP	曲軸/平衡軸組	1	
		13011-LBA2-E0A	1	RING SET PISTON	活塞環組	1	
		13101-LBA2-E00	13	PISTON	活塞	1	
		13111-LBA2-E00	4	PIN PISTON	活塞銷	1	
		14401-LBA2-E00	0	CHAIN CAM	凸輪軸驅動鍊條	1	
		14510-LDB5-E00	5	TENSIONER CAM CHAIN	內鍊條拉力桿	1	
		14520-LDB5-E00	2	LIFTER ASSY TENSIONER	內鍊條調整器	1	
		14531-KED9-900	4	PIVOT TENSION GUIDE	拉力桿螺絲	2	
		14523-KED9-900	0	GASKET TENSIONER LIFTER	墊片	1	
		14610-LBA2-E00	5	GUIDE COMP CAM CHAIN	鍊條導件	1	
		90478-7L00-001	0	WASHER A 6MM	華司 6MM	2	
		94301-12200	1	DOWEL PIN 12*20	定位銷 12*20	4	
		94601-22000	1	CLIP PISTON PIN 22MM	活塞銷環夾 22MM	2	
		95701-06025-08	0	BOLT FLANGE 6*25	螺絲 6*25	2	
		96001-06040-08	0	BOLT FLANGE SH 6*40	螺絲 6*40	2	

E03

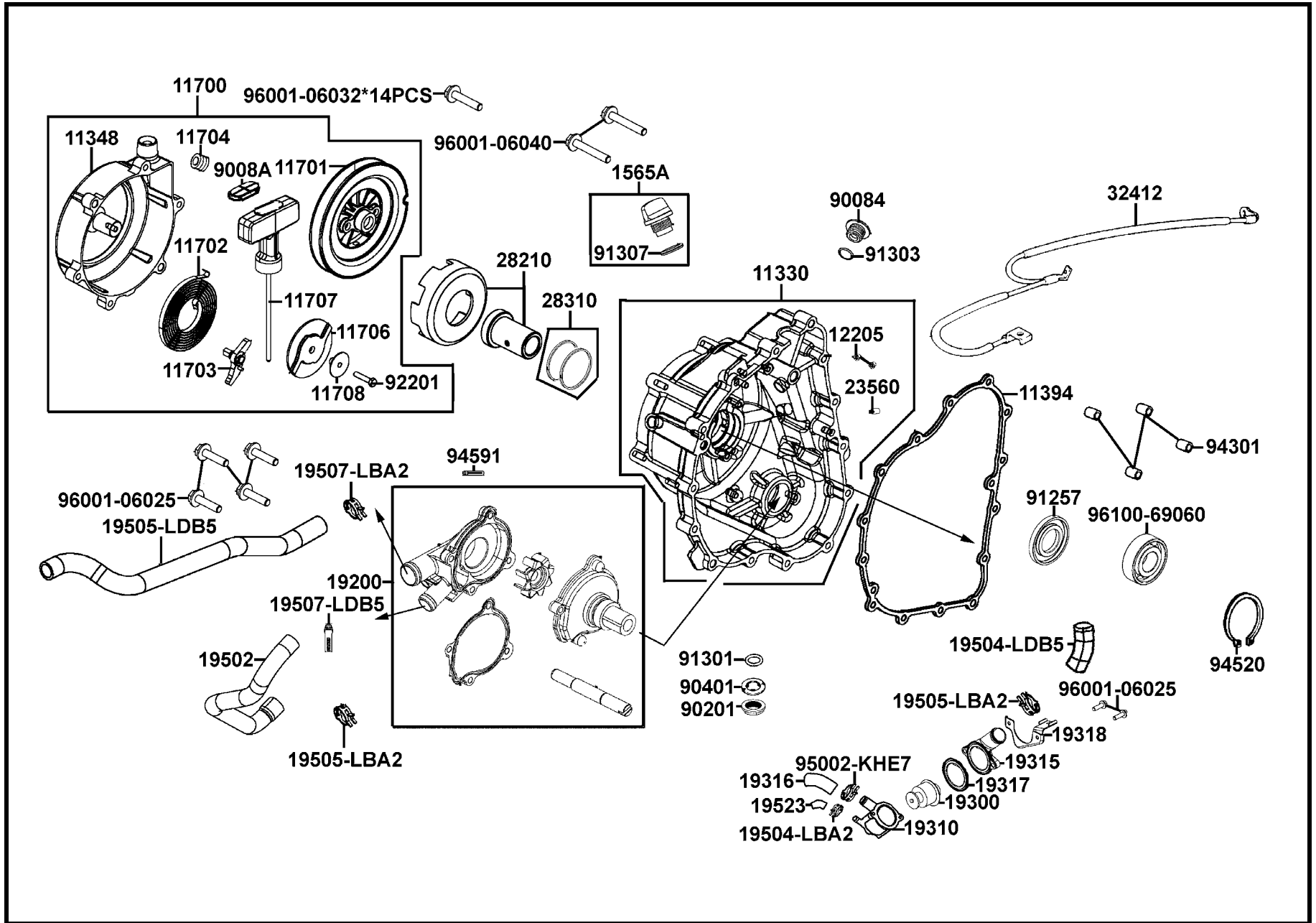
Cylinder Piston Crankshaft



販賣記號 Sales mark	項目 Ref no	零件號碼 Part no	版數 Ver	英文名稱 Description	中文名稱 Chinese	需要用量 Regd no	建議售價 Ref Price
		11330-LDB5-E00	5	COVER ASSY R CRANK CASE	右曲軸箱蓋	1	
**		11348-LDB5-E00	2	COVER STARTING	外蓋	1	
		11394-LDB5-E00	2	GASKET COVER	曲軸箱蓋墊片	1	
		11700-LDB5-E00	2	RECOIL STARTING	手拉起動轉盤組	1	
		11701-LDB5-E00	1	REEL STARTING	捲線蓋	1	
		11702-LDB5-E00	2	SPIRAL SPG STARTING	彈簧	1	
		11703-LDB5-E00	2	RACHET STARTING	內盤滑塊	1	
		11704-LCA5-E00	1	SPG RACHET GUIDE	彈簧	1	
		11706-LDB5-E00	1	RACHET GUIDE STARTING	內箱蓋	1	
		11707-LDB5-E00	1	ROPE STARTING	拉繩	1	
		11708-LCA5-E00	1	COLLAR	套筒	1	
		12205-KHE8-301	1	BOLT SEALING 12MM	封閉螺栓	2	
		1565A-PWA1-900	1	GAUGE OIL LEVEL ASSY	量油尺	1	
		19200-LDB5-E00	3	WATER PUMP ASSY	水泵組	1	
		19300-LBA2-E00	1	THERMOSTAT ASSY	恆溫器	1	
		19310-LDB5-E00	1	CASE COMP THERMOSTAT	恆溫器底座	1	
		19315-LBA2-E00	2	COVER THERMOSTAT	恆溫器蓋	1	
		19316-LDB5-E00	2	HOSE THERMOSTAT	恆溫器管	1	
		19317-LBA2-E00	1	RING 48.3*2	油封	1	
		19318-LDB5-E00	2	BRKT THERMOSTAT	恆溫器支架	1	

E04

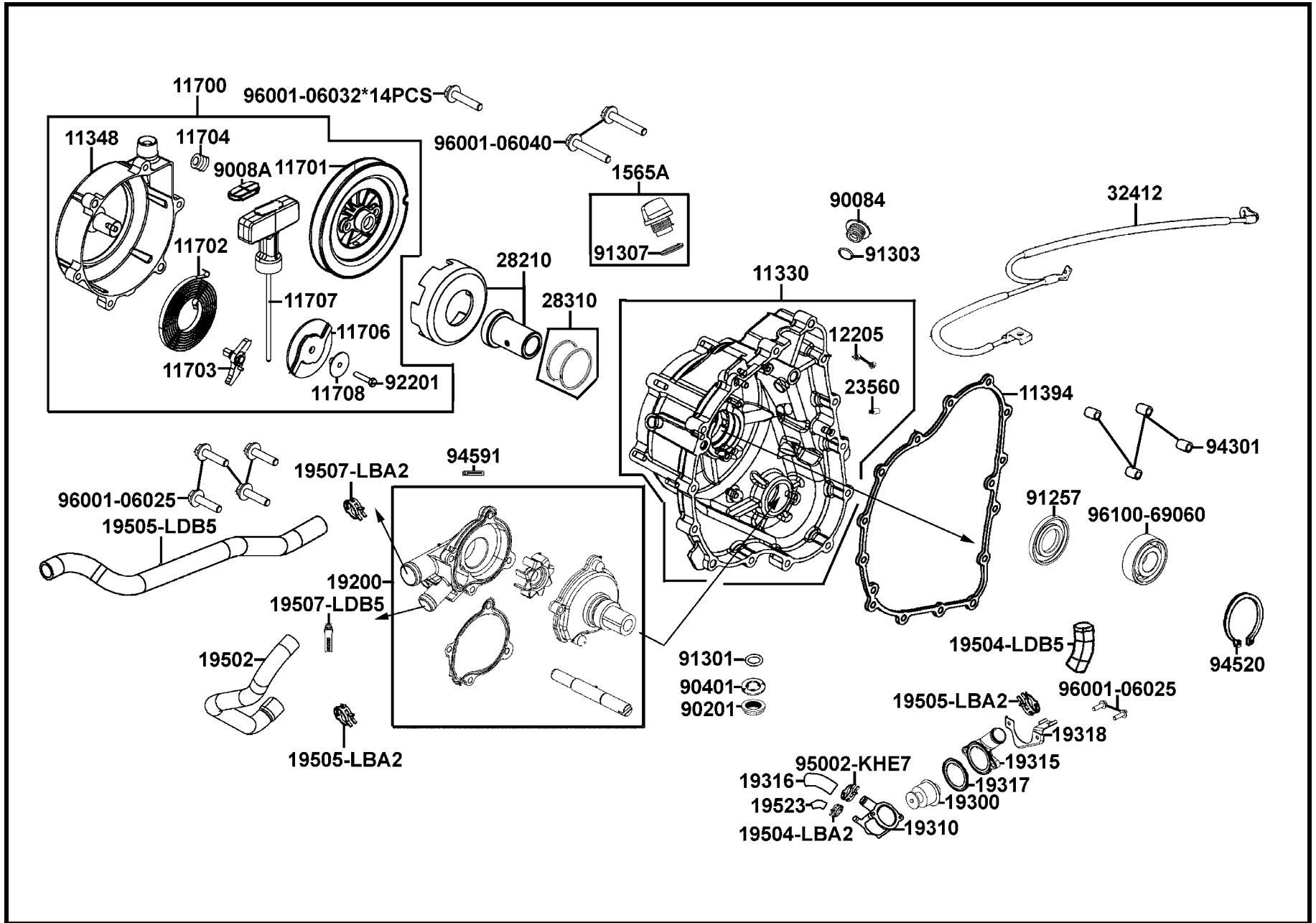
Right Crankcase Cover Water Pump



販賣記號 Sales mark	項目 Ref no	零件號碼 Part no	版數 Ver	英文名稱 Description	中文名稱 Chinese	需要用量 Regd no	建議售價 Ref Price
		19502-LDB5-E00	3	HOSE B WATER	水管 B	1	
		19504-LBA2-E00	3	CLAMP D 16.8	管夾	1	
		19504-LDB5-E00	3	HOSE WATER D RADIATOR-ENG	水管	1	
		19505-LBA2-E00	4	CLAMP WATER HOSE	水管夾	2	
		19505-LDB5-E00	3	HOSE WATER F ENG-RADIATOR	水管 F	1	
		19507-LBA2-E00	0	CLAMP D 27.5	水管夾	1	
		19523-LDB5-E00	2	WATER HOSE A	水管 A	1	
		23560-LBA2-E00	2	ORIFICE R CASE	右曲軸箱孔蓋	1	
		28210-LDB5-E00	4	PLATE RACHET	軸承	1	
		28310-LDB5-E00	1	RING OIL PATH	套筒	2	
		32412-LDB5-E00	5	CABLE EARTH	接地線	1	
		90084-4H28-001	0	CAP ACG	A.C.G.蓋	1	
		9008A-LDB5-E00	1	COVER HOLDER	小蓋	1	
		90201-KHR8-75A	0	NUT FLANGE 14MM	螺帽 14MM	1	
		90401-KKJ9-001	0	WASHER THRUST 14*28*2	墊圈 14*28*2	1	
		91257-LDB5-E00	2	OIL SEAL 30*60*7	油封30*60*7	1	
		91301-LDB5-E00	1	O-RING 16MM	O環 16MM	1	
		91303-3G77-001	0	O-RING 13.8*2.5	O環 13.8*2.5	1	
		91307-0E35-001	0	O-RING 18*3	O環 18*3	1	
		92201-05025-0H	0	BOLT HEX 5*25	螺絲 5*25	1	

E04

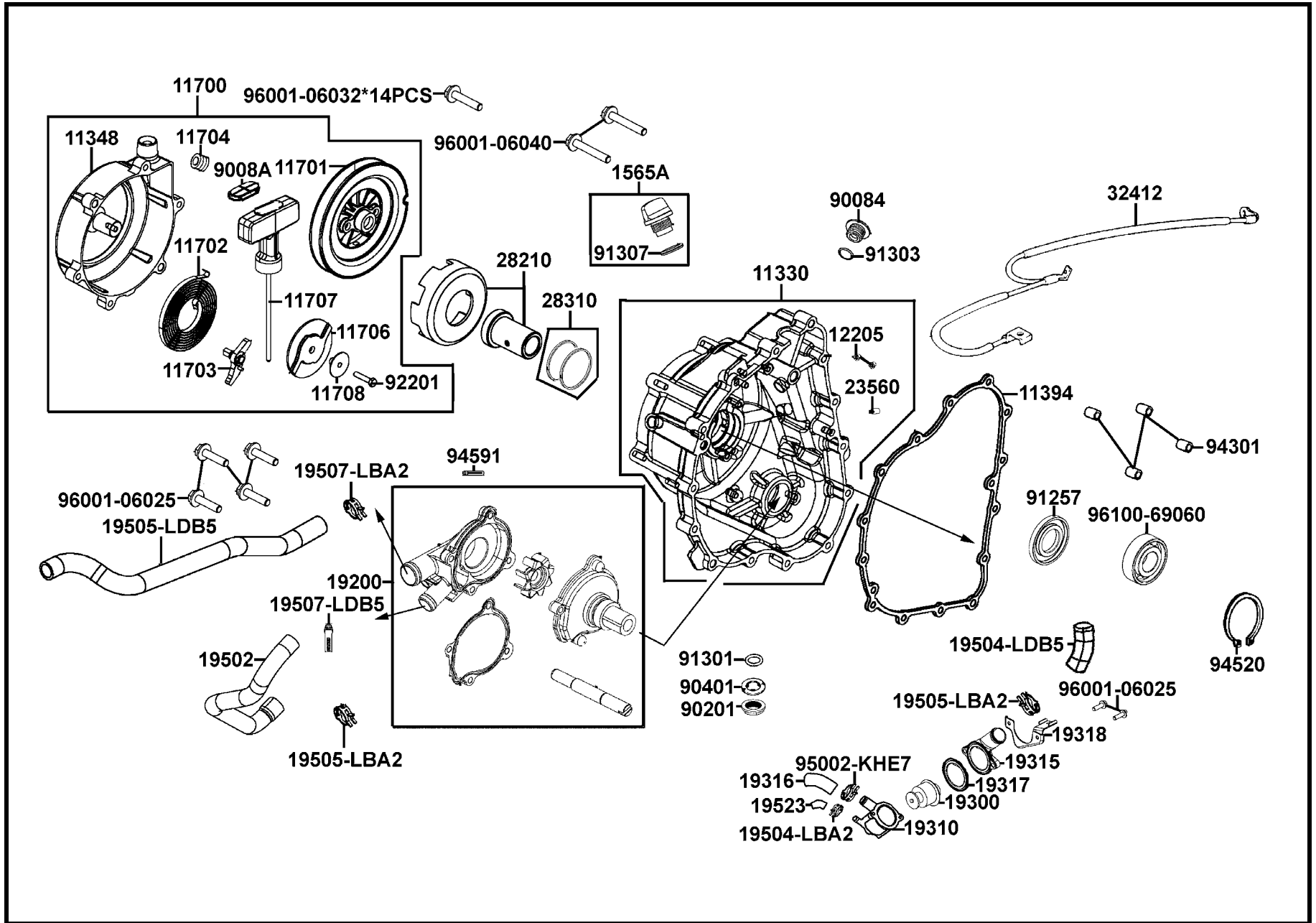
Right Crankcase Cover Water Pump



販賣記號 Sales mark	項目 Ref no	零件號碼 Part no	版數 Ver	英文名稱 Description	中文名稱 Chinese	需要用量 Regd no	建議售價 Ref Price
		94301-08140	0	DOWEL PIN 8*14	定位銷 8*14	4	
		94520-47000	0	CIR CLIP IN 47	內夾環	1	
		94591-KFBF-900	2	CLIP 2*70	環夾 2*70	1	
		95002-KHE7-900	0	CLIP WATER HOSE	水管夾	1	
		96001-06025-08	0	BOLT FLANGE SH 6*25	螺絲 6*25	6	
		96001-06032-08	0	BOLT FLANGE SH 6*32	螺絲 6*32	14	
		96001-06040-08	0	BOLT FLANGE SH 6*40	螺絲 6*40	2	
		96100-69060-00	1	BEARING BALL RADIAL 6906	軸承 6906	1	

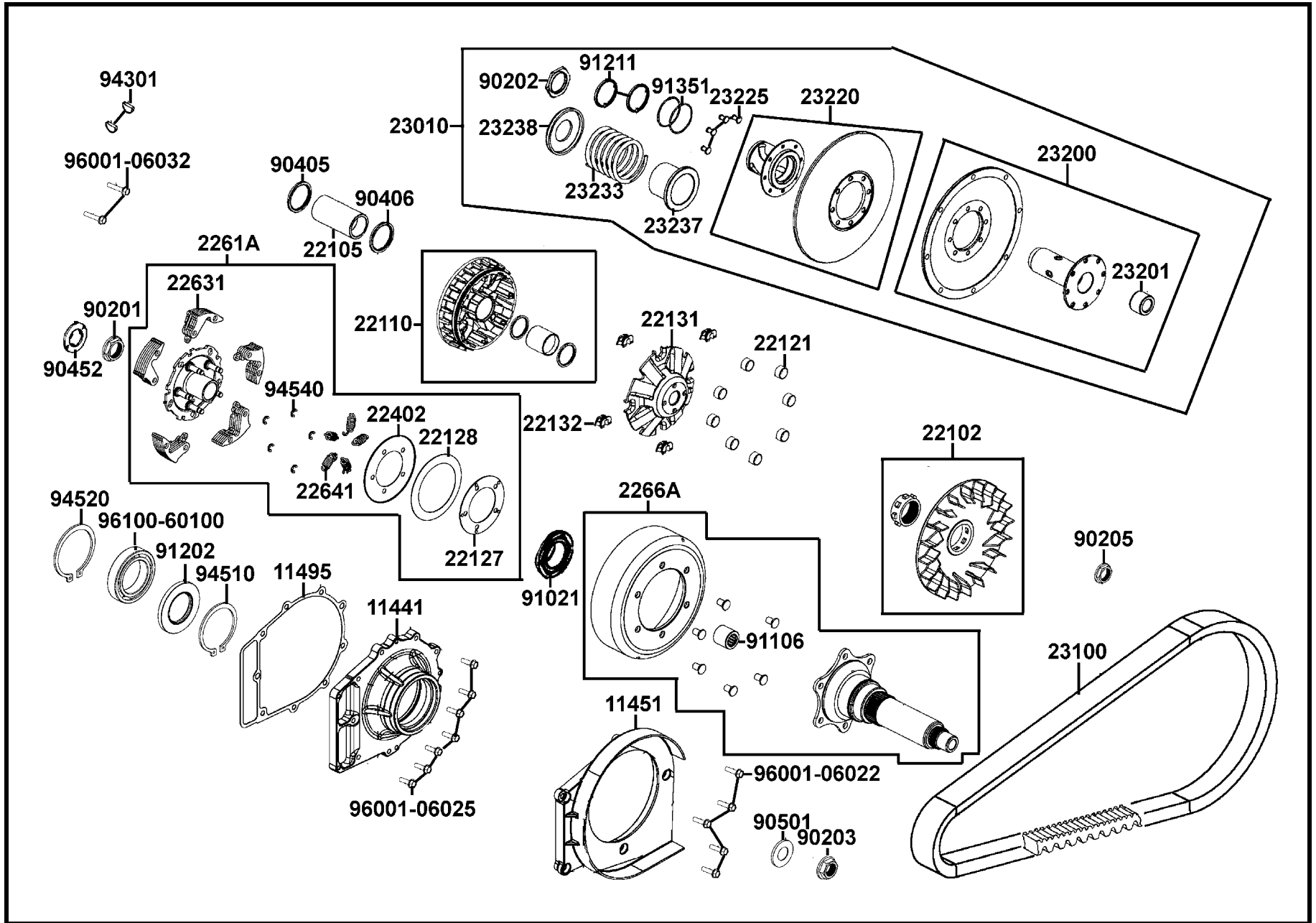
E04

Right Crankcase Cover Water Pump



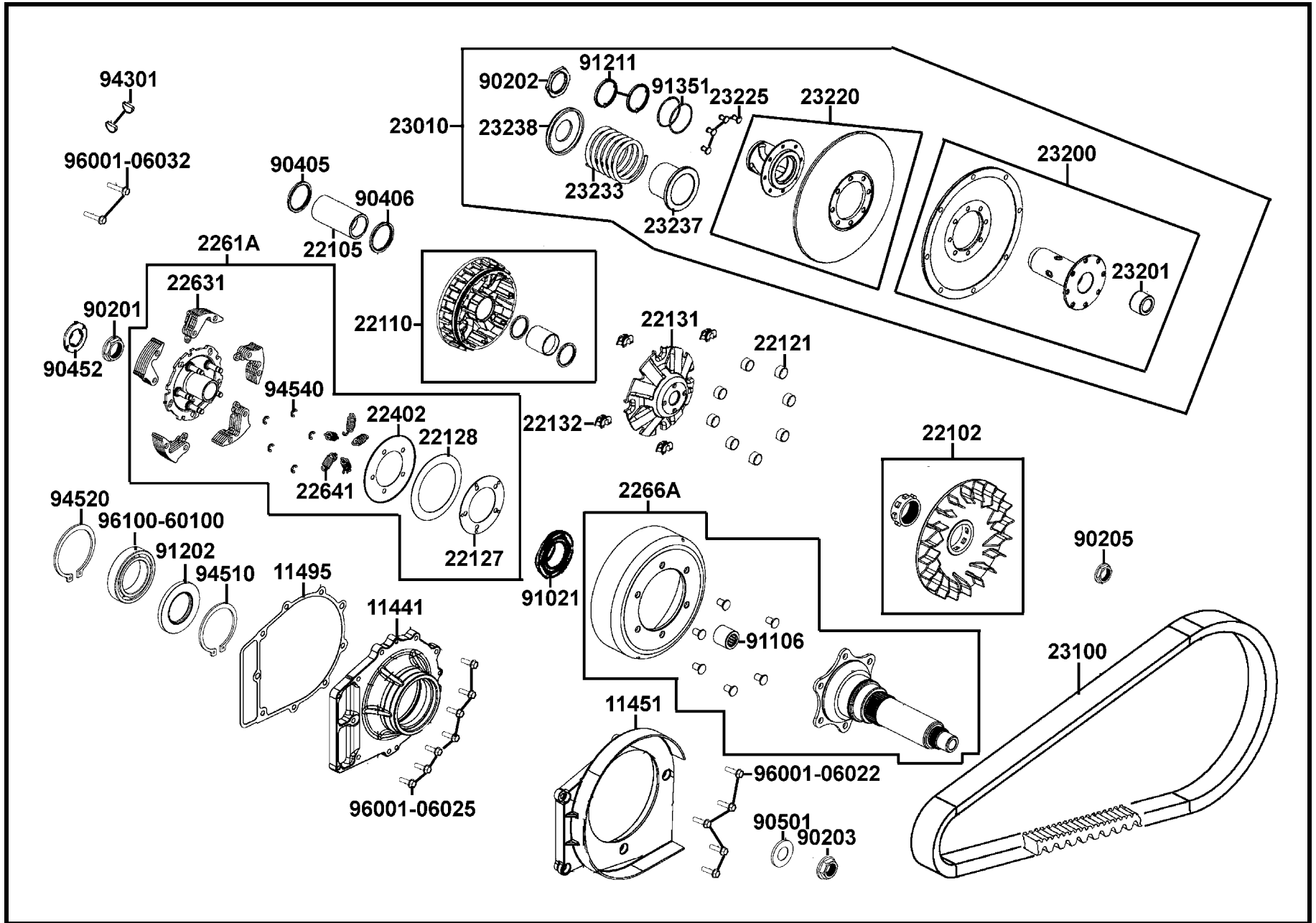
販賣記號 Sales mark	項目 Ref no	零件號碼 Part no	版數 Ver	英文名稱 Description	中文名稱 Chinese	需要用量 Regd no	建議售價 Ref Price
		11441-LDB5-900	2	COVER CLUTCH	離合器蓋	1	
		11451-LDB5-E00	4	COVER CVT FAN	風扇外蓋	1	
		11495-LDB5-E00	2	GASKET CLUTCH COVER	墊片	1	
		22102-LDB5-E00	3	FACE DRIVE	風扇	1	
		22105-LDB5-E00	3	BOSS DRIVE FACE	襯套	1	
		22110-LDB5-E00	5	FACE COMP MOVABLE DRIVE	滑動式驅動盤	1	
		22121-LDB5-E0A	3	COLLAR COMP WEIGHT	配重滾子	8	
		22127-LDB5-E00	0	SEAT ADJUSTER SPG	彈簧	1	
		22128-LDB5-E00	0	PLATE ADJUSTER SPG	彈簧	1	
		22131-LDB5-E00	3	PLATE RAMP	斜坡板	1	
		22132-LDB5-E00	2	PLATE SLIDE	斜板邊件	4	
		22402-LDB5-E00	0	SPR ADJUSTER	墊片	1	
		2261A-LDB5-900	2	PLATE ASSY PRIMARY DRIVE	離合器組	1	
		22631-LDB5-E00	0	PRIMARY CLUTCH WEIGHT	配重器	5	
		22641-LDB5-E00	2	PRIMARY CLUTH SPG	彈簧	5	
		2266A-LDB5-900	2	PRIMARY DRIVE GEAR COMP	驅動軸組	2	
		23010-LDB5-E00	3	PULLEY ASSY DRIVEN	傳動組	1	
		23100-LDB5-E00	2	BELT DRIVE	傳動皮帶	1	
		23200-LDB5-E00	3	FACE ASSY DRIVEN	皮帶扇葉盤	1	
		23201-LDB5-E00	0	BUSH MOVABLE FACE	軸承	1	

E05 Drive Pulley



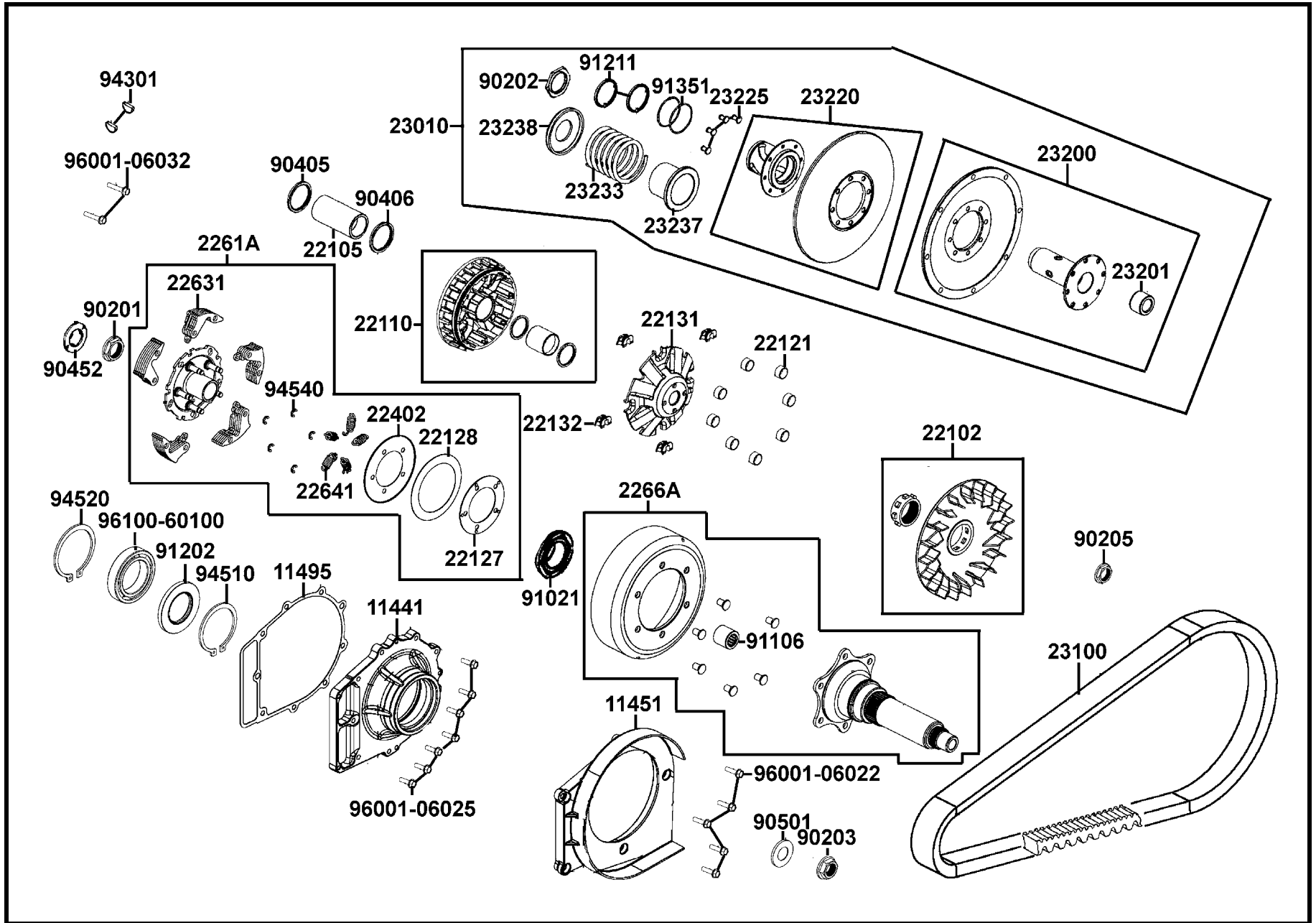
販賣記號 Sales mark	項目 Ref no	零件號碼 Part no	版數 Ver	英文名稱 Description	中文名稱 Chinese	需要用量 Regd no	建議售價 Ref Price
		23220-LDB5-E00	2	FACE COMP MOVABLE DRIVE	扇葉盤組	1	
		23225-LBA2-E00	1	PIN ROLLER GUIDE	插銷	4	
		23233-LDB5-E00	1	SPG DRIVEN FACE	彈簧	1	
		23237-LDB5-E00	1	COLLAR SEAL	套筒	1	
		23238-LDB5-E00	1	COLLAR SPG	套筒	1	
		90201-LDB5-900	0	NUT FLANGE 25MM	螺帽 25MM	1	
		90202-LDB5-E00	1	NUT SPECIAL 36MM	螺帽 36MM	1	
		90203-LDB5-E00	4	NUT FLANGE 20MM	螺帽 20MM	1	
		90205-LDB5-E00	2	NUT FLANGE 16MM	螺帽 16MM	1	
		90405-LDB5-E00	6	WASHER 30.2*45*5	墊片 30.2*45*5	1	
		90406-LDB5-E00	1	WASHER 25*33*4	墊片 25*33*4	1	
		90408-LDB5-900	3	COLLAR PRIMARY DRIVE SHAFT	套筒	1	
		90452-LBA4-900	1	WASHER THRUST 25MM	墊片 25MM	1	
		90501-LDB5-E00	2	WASHER THRUST 20MM	墊片 20MM	1	
		91021-LDB5-E00	2	BEARING ONE WAY	單向軸承	1	
		91106-LDB5-E00	0	BRG NEEDLE 14*22*20	滾針軸承	1	
		91202-LDB5-900	0	OIL SEAL 75*88*6.5	油封 75*88*6.5	1	
		91211-LDB5-E00	1	SEAL DRIVEN FACE 40.2*47*4	墊片 40.2*47*4	2	
		91351-LDB5-E00	1	O-RING PINION CAP	O環	2	
		94301-08140	0	DOWEL PIN 8*14	定位銷 8*14	2	

E05 Drive Pulley



販賣記號 Sales mark	項目 Ref no	零件號碼 Part no	版數 Ver	英文名稱 Description	中文名稱 Chinese	需要用量 Regd no	建議售價 Ref Price
		94510-50000	1	CIR CLIP EX 50	內夾環	1	
		94520-80000	1	CIR CLIP IN 80	內夾環	1	
		94540-07017	1	E RING 7MM	E環	5	
		96001-06025-08	0	BOLT FLANGE SH 6*25	螺絲 6*25	7	
		96001-06022-08	0	BOLT FLANGE SH 6*22	螺絲 6*22	5	
		96001-06032-08	0	BOLT FLANGE SH 6*32	螺絲 6*32	2	
		96100-16008-00	0	BEARING BALL RADIAL 16008	軸承 16008	1	
		96100-68150-00	0	BEARING BALL RADIAL 6815	軸承 6815	1	

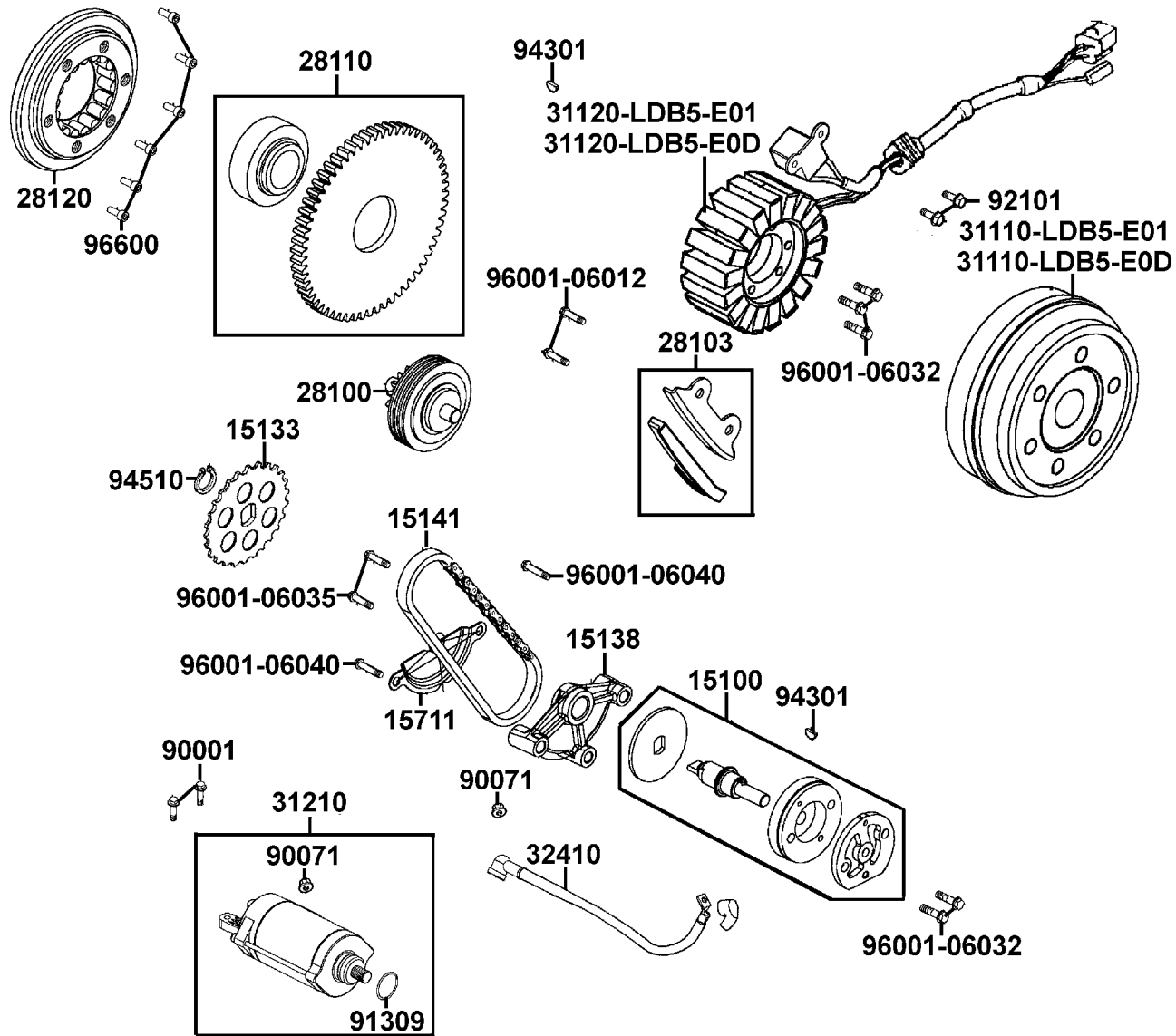
E05 Drive Pulley



販賣記號 Sales mark	項目 Ref no	零件號碼 Part no	版數 Ver	英文名稱 Description	中文名稱 Chinese	需要用量 Regd no	建議售價 Ref Price
		15100-LDB5-E00	3	PUMP ASSY OIL	油泵	1	
		15133-LBA2-E00	1	SPROCKET OIL PUMP DRIVE	油泵驅動齒輪	1	
		15138-LDB5-E00	4	HOLDER OIL PUMP SHAFT	油泵軸	1	
		15141-LDB5-E00	1	CHAIN OIL PUMP	油泵驅動鏈條	1	
		15711-LDB5-E00	1	SEPARATER OIL	機油分隔板	1	
		28100-LDB5-E00	2	SHAFT COMP REDUCTION	起動減速齒輪軸	1	
		28103-LDB5-E00	2	GUIDE OIL PUMP CHAIN	護條	1	
		28110-LDB5-E00	1	GEAR COMP STARTING CLUTCH	起動齒輪	1	
		28120-KKE5-E00	1	ONE WAY CLUTCH	離合器外套	1	
		31110-LDB5-E01	2	FLYWHEEL COMP	飛輪	1	
		31110-LDB5-E0D	1	FLYWHEEL COMP	飛輪	1	
		31120-LDB5-E01	5	STASOR COMP	轉子線圈	1	
		31120-LDB5-E0D	5	STASOR COMP	轉子線圈	1	
		31210-LBA2-E00	3	MOTOR UNIT STARTER	起動馬達	1	
		32410-LDB5-E00	1	CABLE STARTER MOTOR	起動馬達配線	1	
		90001-GBHB-661	0	BOLT FLANGE SHF 6*22	螺絲 6*22	2	
		90071-MLB0-001	0	NUT WASH 6MM	螺帽 6MM	2	
		91309-4E25-004	0	O-RING 24.4*3.1	O環 24.4*3.1	1	
		92101-05012-0H	0	BOLT HEX 5*12	螺絲 5*12	2	
		94301-08140	0	PIN DOWEL 8*14	定位銷 8*14	2	

E06

Starting Motor Generator

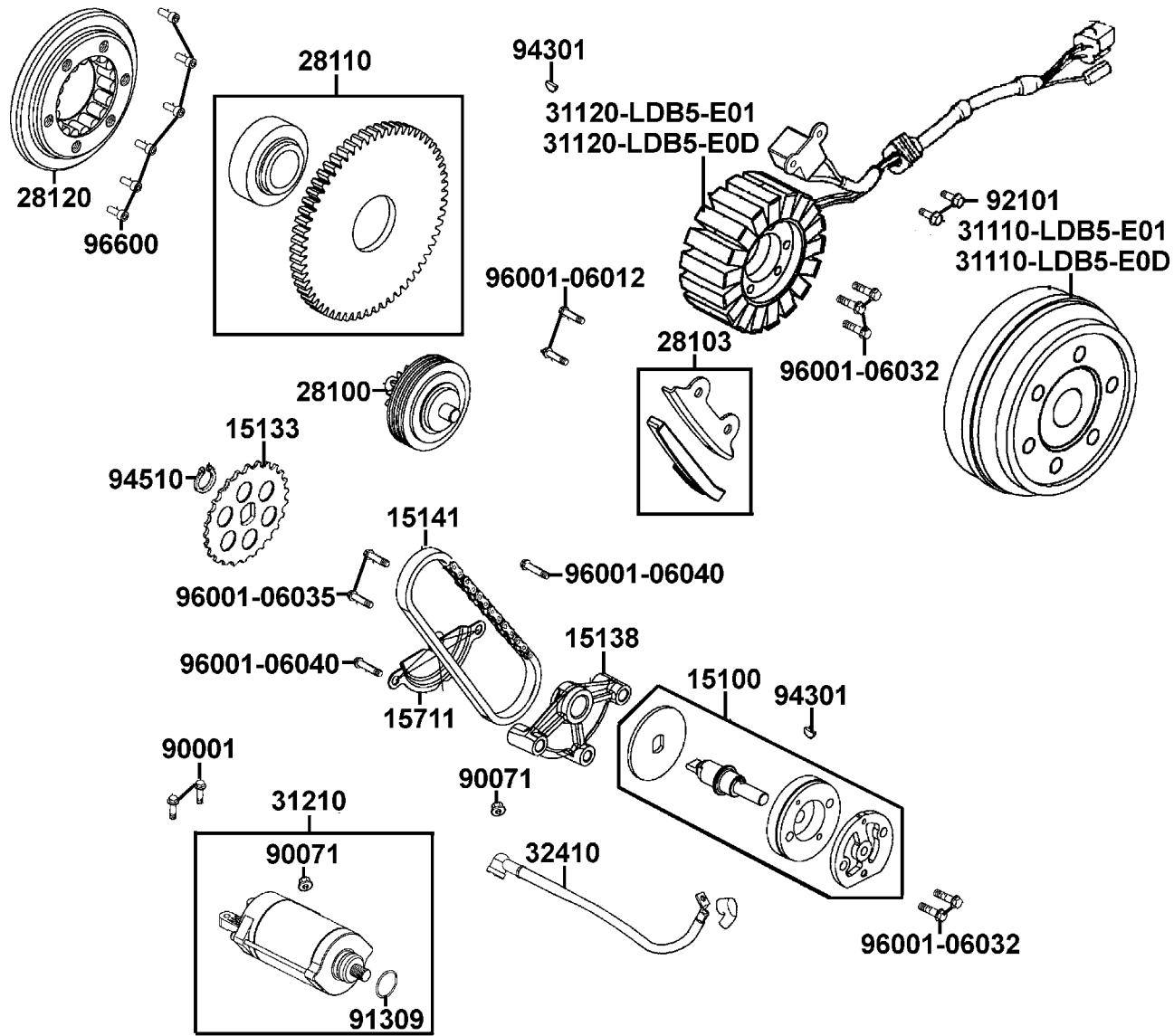


E06

販賣記號 Sales mark	項目 Ref no	零件號碼 Part no	版數 Ver	英文名稱 Description	中文名稱 Chinese	需要用量 Regd no	建議售價 Ref Price
		94510-10000	0	CIR CLIP EX 10	外環夾 10MM	1	
		96001-06012-08	0	BOLT FLANGE SH 6*12	螺絲 6*12	2	
		96001-06032-08	0	BOLT FLANGE SH 6*32	螺絲 6*32	2	
		96001-06035-08	0	BOLT FLANGE SH 6*35	螺絲 6*35	2	
		96001-06040-08	0	BOLT FLANGE SH 6*40	螺絲 6*40	2	
		96600-08015-10	1	SOCKET BOLT 8*15	螺絲 8*15	6	

E06

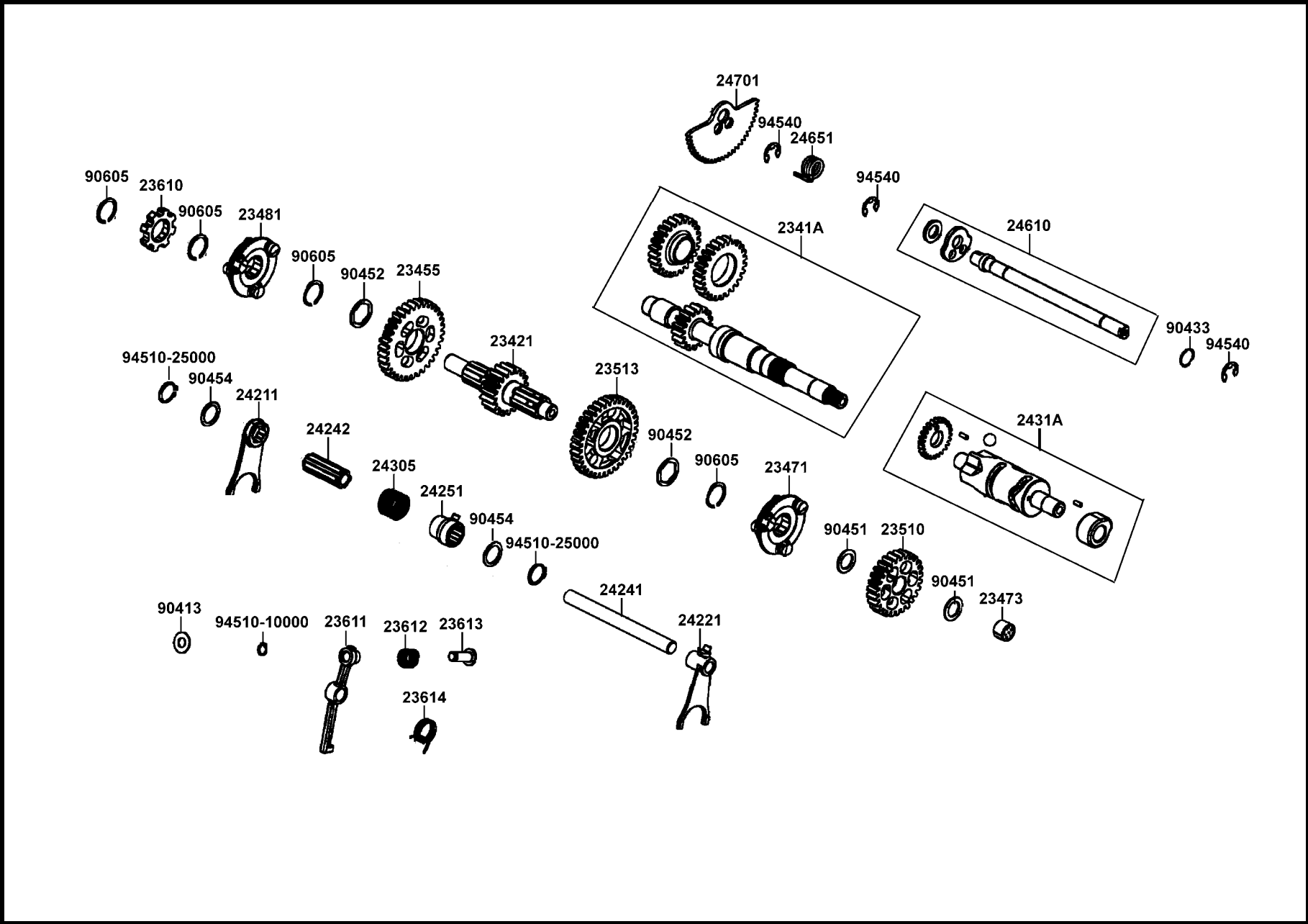
Starting Motor Generator



販賣記號 Sales mark	項目 Ref no	零件號碼 Part no	版數 Ver	英文名稱 Description	中文名稱 Chinese	需要用量 Regd no	建議售價 Ref Price
		2341A-LDB5-900	2	SHAFT ASSY DRIVE	驅動軸組	1	
		23421-LDB5-E00	4	SHAFT COUNTER 19T	驅動軸	1	
		23455-LDB5-E00	2	GEAR COMP BACKWARD 2ST DRIVEN	齒輪	1	
		23471-LDB5-E00	3	SHIFT FORWARD & LOWER	驅動軸	1	
		23473-LDB5-E00	2	COLLAR 20*17*14	套筒 20*17*14	1	
		23481-LDB5-E00	3	SHIFT BACKWARD	倒檔軸	1	
		23510-LDB5-900	2	GEAR FORWARD DRIVEN	齒輪	1	
		23513-LDB5-E00	2	GEAR COMP LOWER DRIVE	齒輪	1	
		23610-LDB5-E00	1	STOPPER PARK	齒輪	1	
		23611-LDB5-E00	8	ARM PARK	制動臂	1	
		23612-LDB5-E00	3	SPRING A PARK	彈簧	1	
		23613-LDB5-E00	7	GUIDE PARK	插銷	1	
		23614-LDB5-E00	6	SPRING B PARK	彈簧	1	
		24211-LDB5-E00	4	FORK RIGHT GEAR SHIFT	右驅動軸叉	1	
		24221-LDB5-E00	2	FORK LEFT GEAR SHIFT	左驅動軸	1	
		24241-LDB5-E00	1	SHAFT GEAR SHIFT FORK	驅動軸	1	
		24242-LDB5-E00	4	COLLAR RIGHT FORK	套筒	1	
		24251-LDB5-E00	4	GUIDE RIGHT FORK	右驅動軸套筒	1	
		24305-LDB5-E00	2	SPRING RIGHT FORK	彈簧	1	
		2431A-LDB5-E00	4	DRUM ASSY GEAR SHIFT	轉動鼓輪	1	

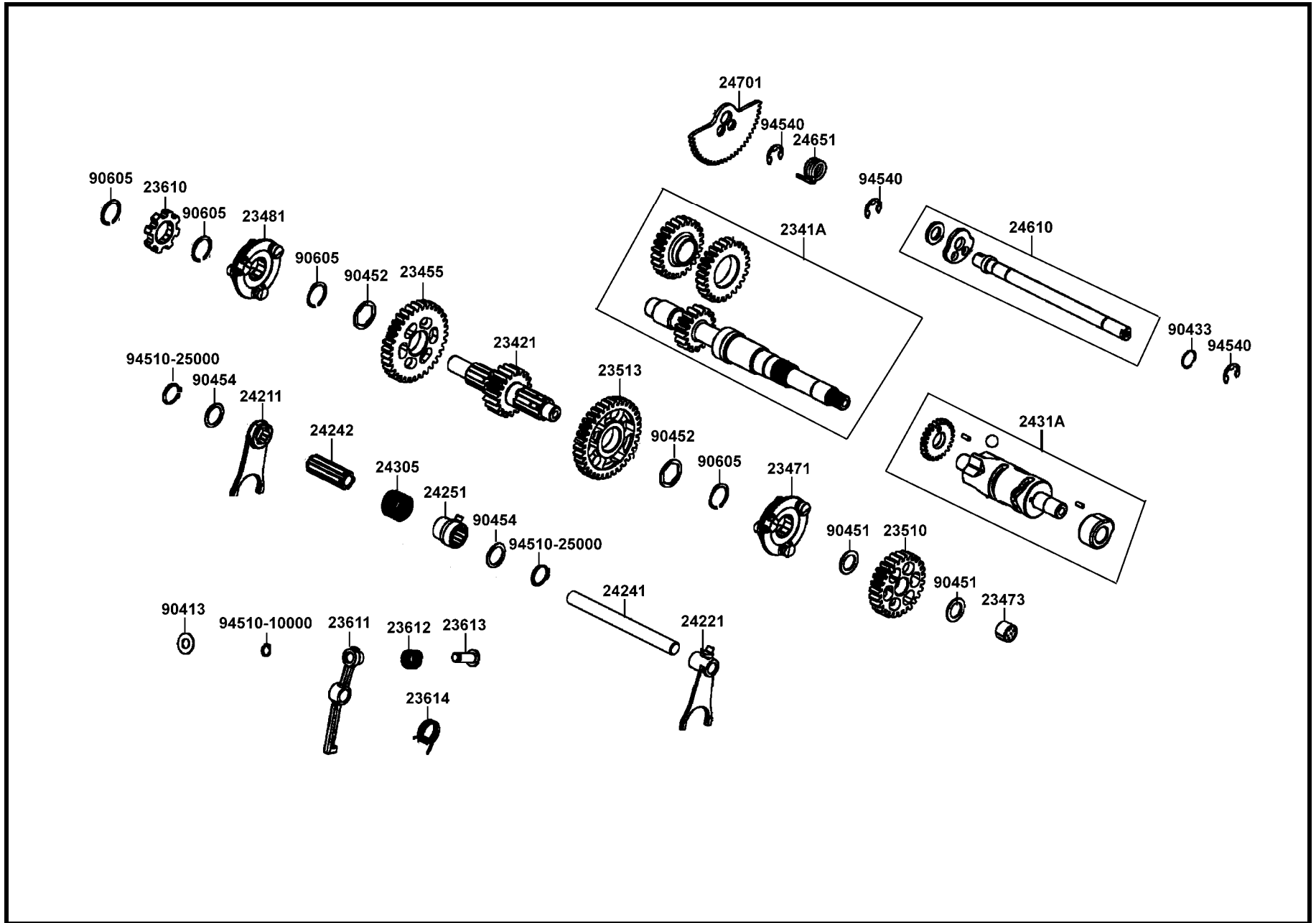
E07

Clutch Assy Primary



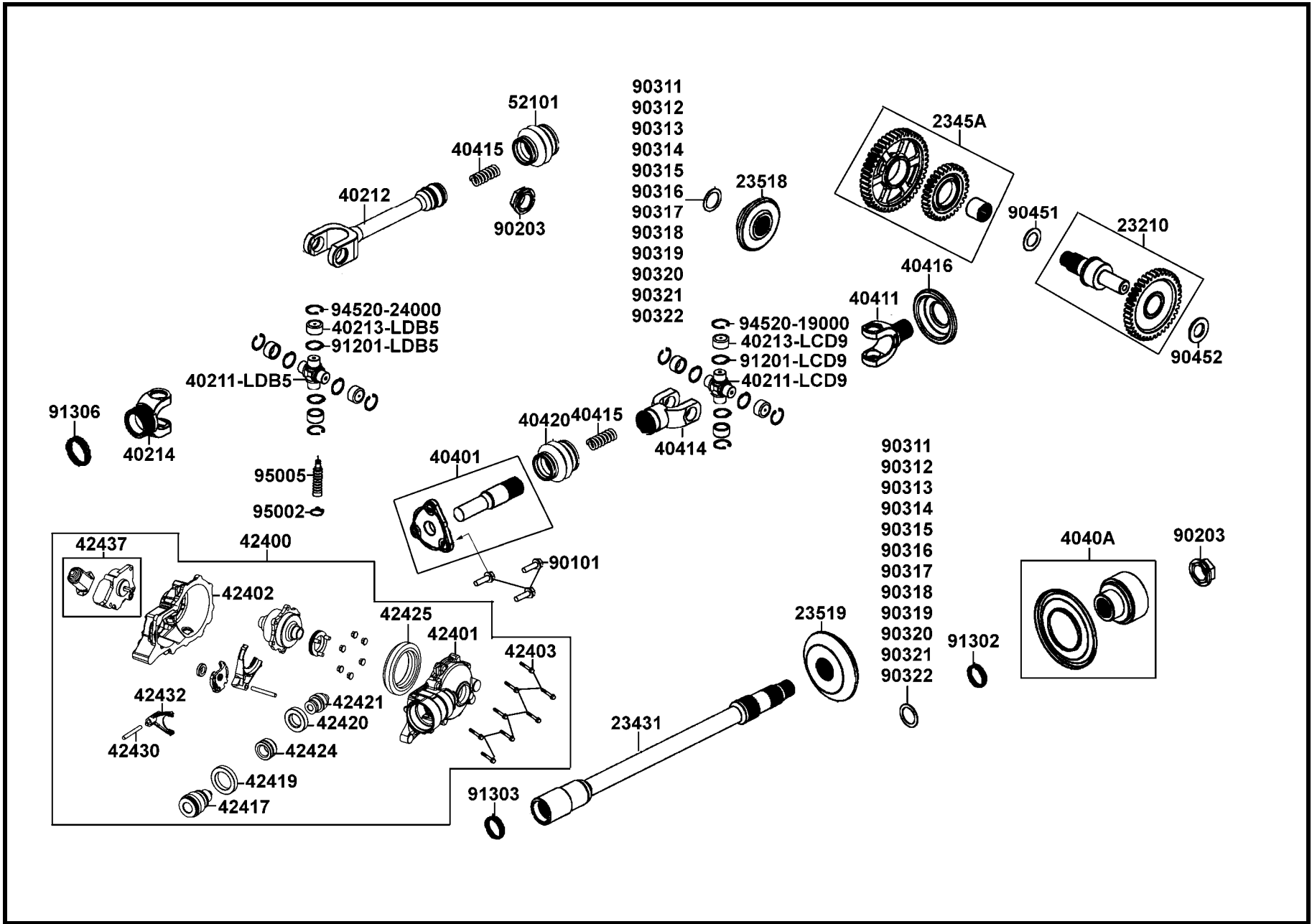
販賣記號 Sales mark	項目 Ref no	零件號碼 Part no	版數 Ver	英文名稱 Description	中文名稱 Chinese	需要用量 Regd no	建議售價 Ref Price
		24610-LDB5-E00	4	SPINDLE COMP DRUM SHIFT	驅動軸	1	
		24651-LDB5-E00	4	SPRING GEAR SHIFT RETURN	彈簧	1	
		24701-LDB5-E00	2	GEAR CHANGE HNDL	齒輪	1	
		90413-GLE0-001	0	WASHER 10*21.5	墊圈 10*21.5	1	
		90433-KAE1-001	0	WASHER 14MM	華司 14MM	1	
		90451-LDB5-E00	1	WASHER THRUST 17MM	華司 17MM	2	
		90452-KED9-900	2	WASHER 25*31*1.5	墊圈 25*31*1.5	2	
		90454-1G07-001	0	WASHER THRUST 20MM	墊圈 20MM	2	
		90605-KED9-900	2	SET RING 28MM	O環28MM	4	
		94510-10000	0	CLIP EX 10	環夾	1	
		94510-25000	0	CIR CLIP EX 25	環夾	2	
		94540-12028	0	E RING 12	E型環	3	

E07 Clutch Assy Primary



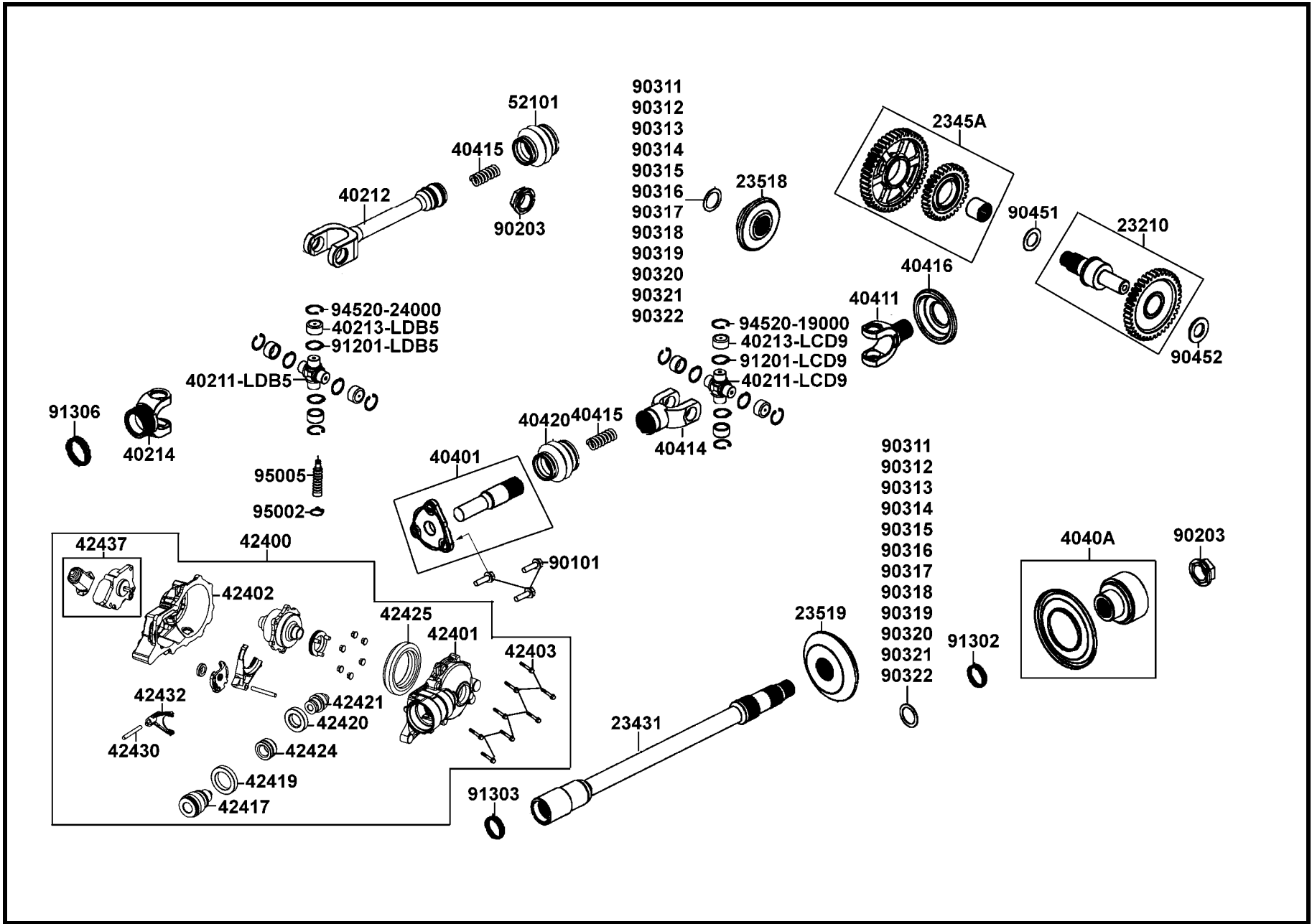
販賣記號 Sales mark	項目 Ref no	零件號碼 Part no	版數 Ver	英文名稱 Description	中文名稱 Chinese	需要用量 Regd no	建議售價 Ref Price
		23210-LDB5-E00	4	SHAFT COMP MAIN	主傳動軸	1	
		23431-LDB5-E00	3	SHAFT FINAL	傳動軸	1	
		2345A-LDB5-E00	4	GEAR COMP BACKWARD	齒輪	1	
		23518-LDB5-E00	2	BEVEL GEAR DRIVE	斜齒輪	1	
		23519-LDB5-E00	2	BEVEL GEAR DRIVE	斜齒輪	1	
		40211-LCD9-E00	3	SPIDER YORK	十字管	1	
		40211-LDB5-E00	1	SPIDER RR U JOINT	後約克萬向棘輪	1	
		40212-LDB5-E00	4	YORK A RR U JOINT	後約克萬向接頭A	1	
		40213-LCD9-E00	2	BRG YORK 12*18*16	軸承 12*18*16	4	
		40213-LDB5-E00	1	BRG U JOINT 18*24*13.5	軸承 18*24*13.5	4	
		40214-LDB5-E00	4	YORK B RR U JOINT	後約克萬向接頭B	1	
		40401-LDB5-E00	4	SHAFT FRONT PROPELLER	傳動軸	1	
		4040A-LDB5-E00	6	COUPLING RR PROPELLER	傳動軸套	1	
		40411-LDB5-E00	1	YORK A FR U JOINT	前約克萬向接頭A	1	
		40414-LDB5-E00	3	YORK B FR U JOINT	前約克萬向接頭B	1	
		40415-LDB5-E00	1	SPRING FR PROPELLER SHAFT	彈簧	2	
		40416-LDB5-E00	1	UNIVERSAL JOINT PLATE	保護套	1	
		40420-LDB5-E00	1	BOOT FRONT PROPELLER	前保護套	1	
		42400-LDB5-E00	2	DIFFERENTIAL ASSY FR FINAL	前差速器組	1	
		42401-LDB5-E00	0	HSG-FINAL DRIVE FR	前差速器本體	1	

E08 Shaft Reduction



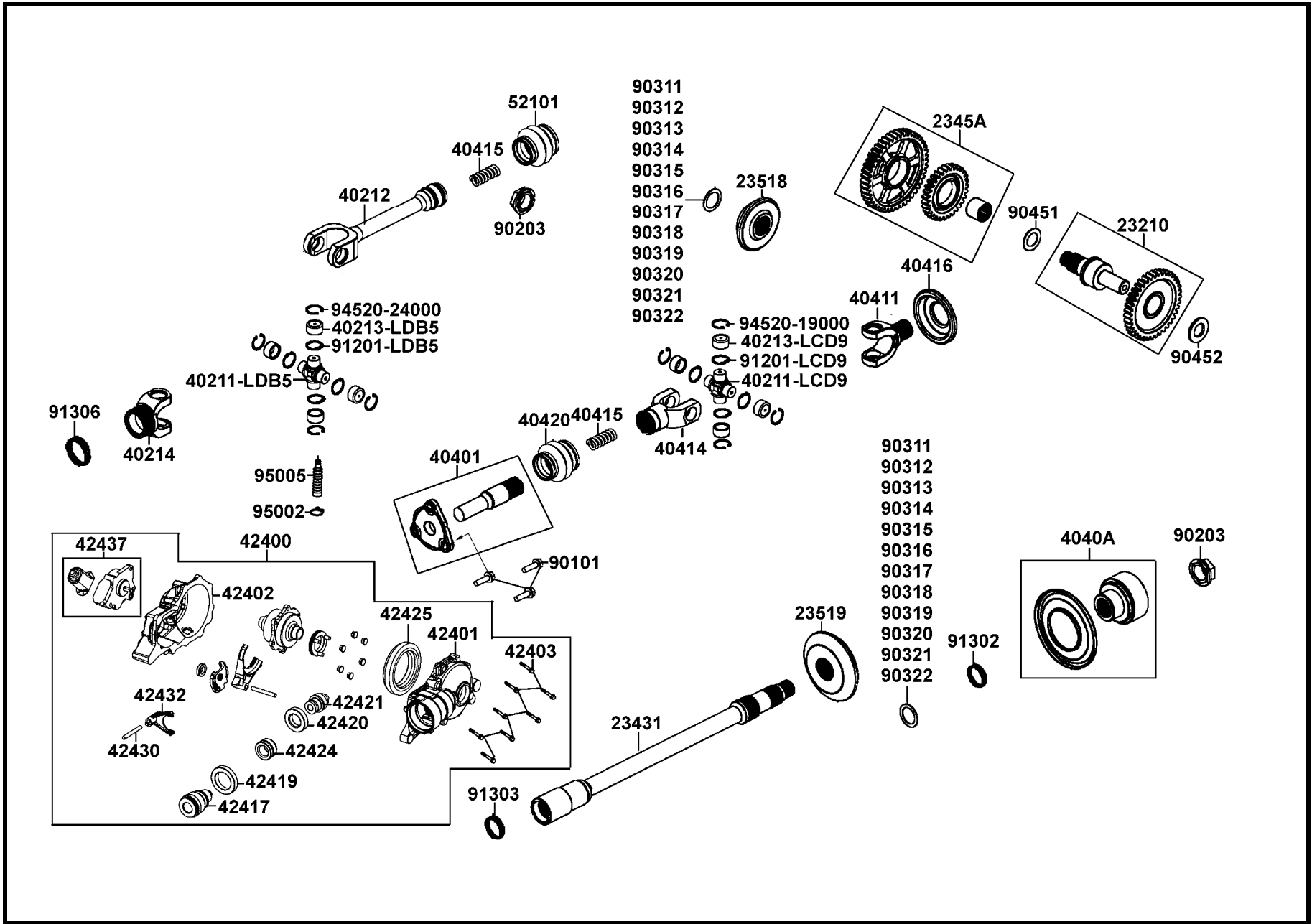
販賣記號 Sales mark	項目 Ref no	零件號碼 Part no	版數 Ver	英文名稱 Description	中文名稱 Chinese	需要用量 Regd no	建議售價 Ref Price
		42402-LDB5-E00	0	COVER-FINAL DRIVE FR	前差速器護蓋	1	
		42403-LDB5-E00	0	BOLT-FLANGE HEX HEAD TYPE2	螺絲	8	
		42417-LDB5-E00	0	YOKE-ASSR	套筒	1	
		42419-LDB5-E00	0	BRG BALL	軸承	1	
		42420-LDB5-E00	0	BRG-PINION DRIVE	傳動套筒	1	
		42421-LDB5-E00	0	PINION-DRIVE	傳動套筒	1	
		42424-LDB5-E00	0	SLEEVE-CPLC	套筒	1	
		42425-LDB5-E00	0	ASSY GEAR-RING	齒輪墊片	1	
		42430-LDB5-E00	0	ROD-SHIFT	傳動軸	1	
		42432-LDB5-E00	0	BRKT ROD 2WD&4WD	切換撥叉	1	
		42437-LDB5-E00	0	DVC ASSY-FR DIFF CONT	擴散器組	1	
		52101-LDB5-E00	3	BOOT REAR PROPELLER	後保護套	1	
		90101-KEBE-900	1	BOLT FLANGE 10*25	螺絲10*25	3	
		90203-LDB5-E00	4	NUT FLANGE 20MM	螺帽 20MM	2	
		90311-LDB5-E00	1	SHIM FLNAL BEVEL GEAR A (0.6)	墊片A	2	
		90312-LDB5-E00	1	SHIM FLNAL BEVEL GEAR B (0.65)	墊片B	2	
		90313-LDB5-E00	1	SHIM FLNAL BEVEL GEAR C (0.7)	墊片C	2	
		90314-LDB5-E00	1	SHIM FLNAL BEVEL GEAR D (0.75)	墊片D	2	
		90315-LDB5-E00	1	SHIM FLNAL BEVEL GEAR E (0.8)	墊片E	2	
		90316-LDB5-E00	1	SHIM FLNAL BEVEL GEAR F (0.85)	墊片F	2	

E08 Shaft Reduction



販賣記號 Sales mark	項目 Ref no	零件號碼 Part no	版數 Ver	英文名稱 Description	中文名稱 Chinese	需要用量 Regd no	建議售價 Ref Price
		90317-LDB5-E00	1	SHIM FLNAL BEVEL GEAR G (0.9)	墊片G	2	
		90318-LDB5-E00	1	SHIM FLNAL BEVEL GEAR H (0.95)	墊片H	2	
		90319-LDB5-E00	1	SHIM FLNAL BEVEL GEAR I (1.0)	墊片I	2	
		90320-LDB5-E00	1	SHIM FLNAL BEVEL GEAR J (1.05)	墊片J	2	
		90321-LDB5-E00	1	SHIM FLNAL BEVEL GEAR K (1.1)	墊片K	2	
		90322-LDB5-E00	1	SHIM FLNAL BEVEL GEAR L (1.15)	墊片L	2	
		90451-LBA7-900	1	WASHER THRUST 20MM	墊片 20MM	1	
		90452-LDB5-E00	1	WASHER THRUST 20*36*3	墊片 20*36*3	1	
		91201-LCD9-E00	2	OIL SEAL 13*17.5*4.5	油封 13*17.5*4.5	4	
		91201-LDB5-E00	1	SEALING RING 15.6*22.6*3.2	油封 15.6*22.6*3.2	4	
		91302-LDB5-E00	2	O-RING 22MM	O環 22MM	1	
		91303-LDB5-E00	1	O-RING 22MM	O環 22MM	1	
		91306-LDB5-E00	1	O-RING 41MM	O環 41MM	1	
		94520-19000	2	CIR CLIP IN 19	夾環	4	
		94520-24000	1	CIR CLIP IN 24	夾環	4	
		95002-41050-00	0	CLAMP D 10.5 TUBE	管夾	1	
		95005-LCD9-E00	2	BREATHER TUBE RR GEAR	空氣管	1	

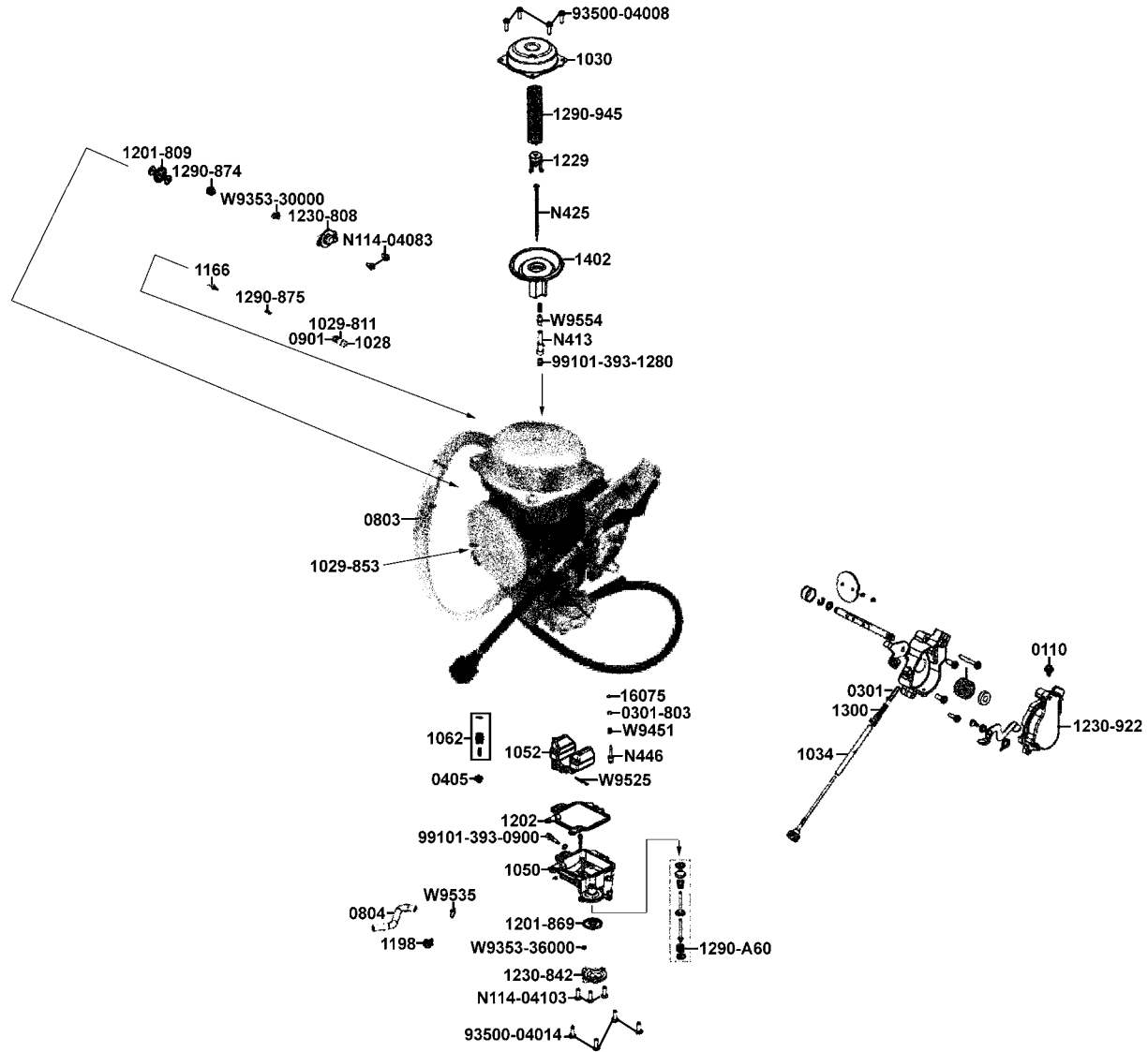
E08 Shaft Reduction



販賣記號 Sales mark	項目 Ref no	零件號碼 Part no	版數 Ver	英文名稱 Description	中文名稱 Chinese	需要用量 Regd no	建議售價 Ref Price
		0110-803-1100	0	SCREW	螺絲	1	
		0301-800-2000	0	WASHER	華司	1	
		0301-803-2000	0	WASHER	華司	1	
		0405-019-1000	0	CLIP	浮筒閥固定夾	1	
		0804-G38-0000	0	AUTO BYSTARTER ASSY	自動起動器	1	
		0901-069-6000	0	O-RING	O環	1	
		1029-811-7001	0	CAP	護蓋	1	
		1029-853-7000	0	CAP	護蓋	1	
		1030-905-2100	0	TOP COMP	節流活塞閥蓋	1	
		1034-868-2400	0	STOP SCREW	螺絲	1	
		1050-A74-2100	0	FLOAT CHAMBER COMP	浮筒室組	1	
		1052-829-2100	0	FLOAT COMP	浮筒組	1	
		1062-814-2101	0	FLOAT VALVE COMP	浮筒閥	1	
		1166-807-2200	0	STARTER VALVE COMP	起動閥	1	
		1198-816-2000	0	DRAIN SCREW	溢流孔螺絲	1	
		1201-809-2100	0	DIAPHRAGM COMP	泵浦閥	1	
		1201-869-2100	0	DIAPHRAGM COMP	泵浦閥	1	
		1202-855-6000	0	CHAMBER GASKET	浮筒室墊片	1	
		1229-801-7000	0	SPG SEAT	油針固定座	1	
		1230-808-2001	0	COVER	護蓋	1	

E09

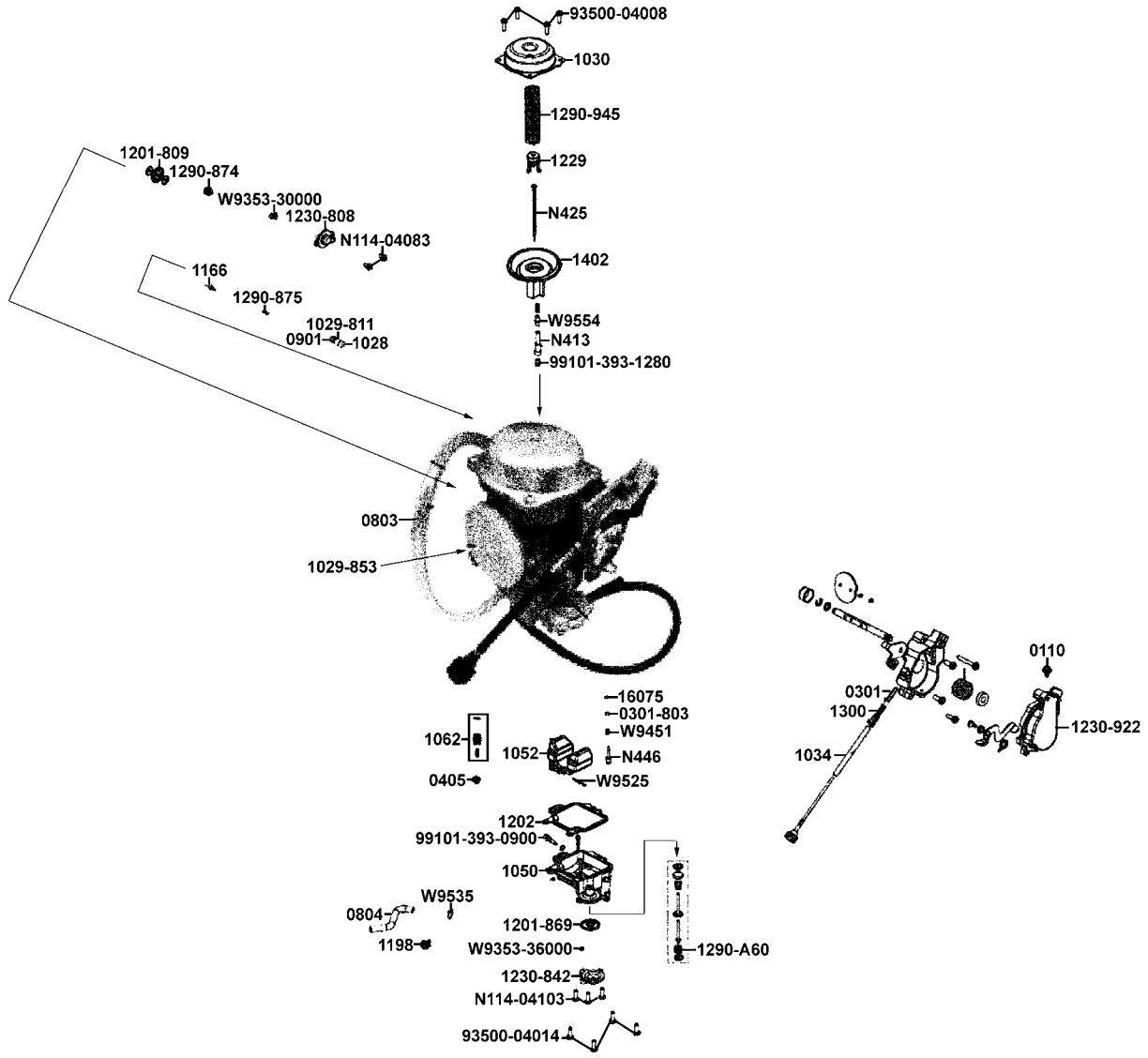
Carburetor



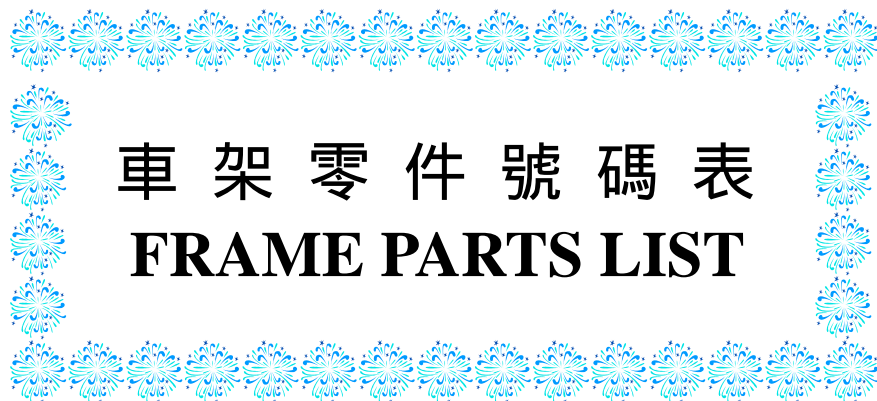
販賣記號 Sales mark	項目 Ref no	零件號碼 Part no	版數 Ver	英文名稱 Description	中文名稱 Chinese	需要用量 Regd no	建議售價 Ref Price
		1230-842-2000	0	COVER	護蓋	1	
		1230-922-7000	0	COVER	護蓋	1	
		1290-874-2000	0	COIL SPG	彈簧	1	
		1290-875-2000	0	COIL SPG	彈簧	1	
		1290-945-2000	0	COIL SPG	彈簧	1	
		1290-A60-2000	0	COIL SPG	彈簧	1	
		1300-196-2001	0	COIL SPG	彈簧	1	
		1402-828-2201	0	V.P COMP	真空活塞閥	1	
		16075-KG8-9010-M1	0	O-RING	O環	1	
		1610K-LDB5-900	0	CARB ASSY	化油器組	1	
		93500-04008-1H	0	SCREW	螺絲	4	
		93500-04014-1H	0	SCREW	螺絲	4	
		99101-393-0900	0	BY-ST JET	噴油嘴	1	
		N114-04083	0	WASHER SCREW	螺絲	2	
		N114-04103	0	WASHER SCREW	螺絲	3	
		N413-46A00	0	NEEDLE JET HOLDER	油針支座	1	
		N425-JDA00	0	JET NEEDLE COMP	油針	1	
		W9353-30000	0	U-RING	U簧	1	
		W9353-36000	0	U-RING	U簧	1	
		W9451-03212	0	COIL SPG	彈簧	1	

E09

Carburetor



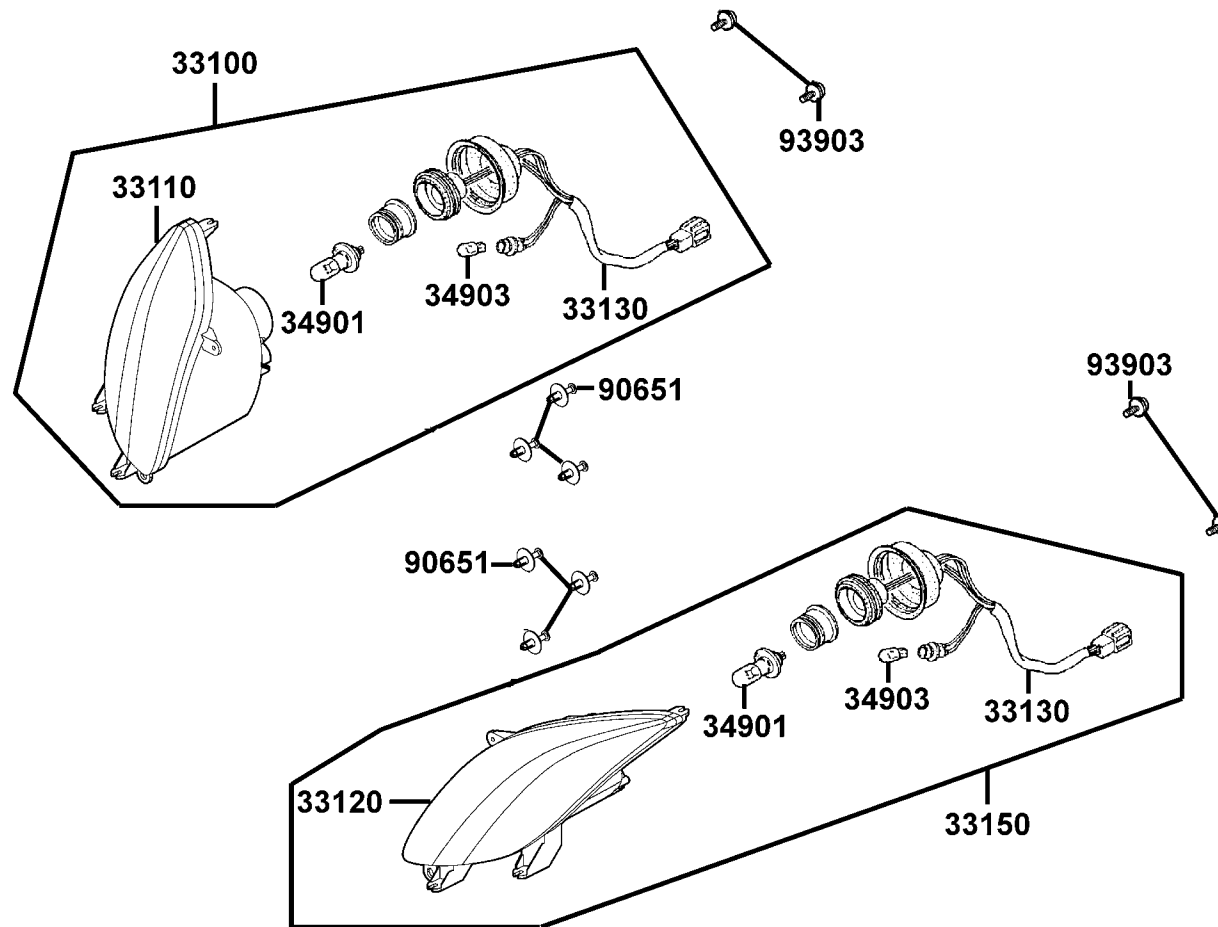
販賣記號	項目	零件號碼	版數	英文名稱	中文名稱	需要用量	建議售價
Sales mark	Ref no	Part no	Ver	Description	Chinese	Regd no	Ref Price
		W9525-25250	0	ARM PIN	浮筒閥臂銷	1	
		W9535-45000	0	COVER	護蓋	1	
		W9554-26638	0	NEEDLE JET	噴油嘴	1	



車架零件號碼表
FRAME PARTS LIST

F01

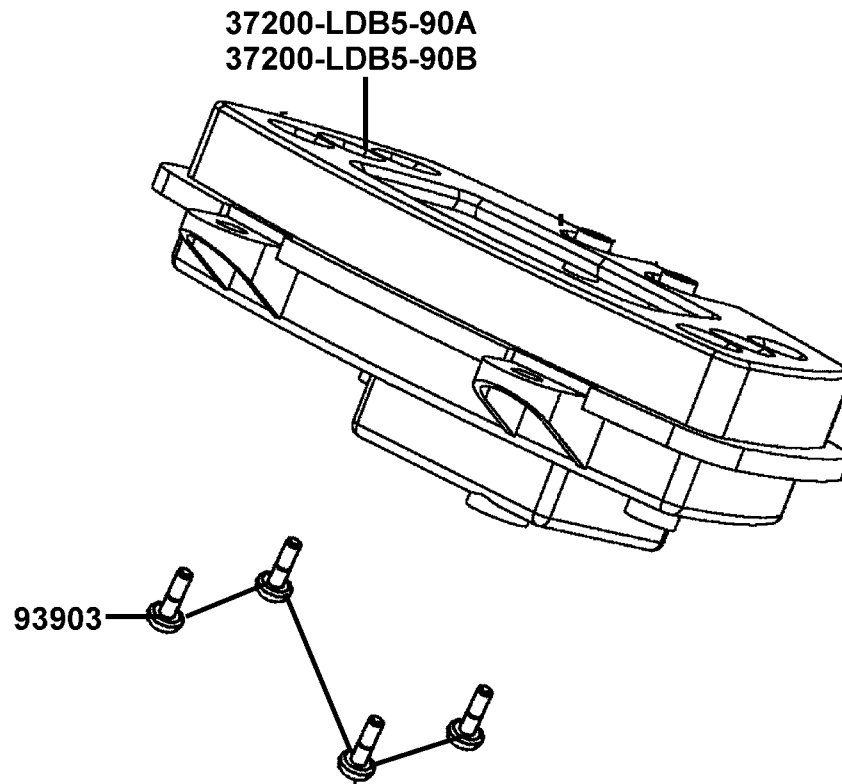
Head Light



販賣記號 Sales mark	項目 Ref no	零件號碼 Part no	版數 Ver	英文名稱 Description	中文名稱 Chinese	需要用量 Regd no	建議售價 Ref Price
		33100-LDB5-E00	2	LIGHT ASSY R HEAD	右前燈	1	
		33110-LDB5-E00	0	UNIT HEAD LIGHT R	右前燈殼組	1	
		33120-LDB5-E00	0	UNIT HEAD LIGHT L	左前燈殼組	1	
		33130-LDB5-E00	0	SOCKET COMP	前燈配線	2	
		33150-LDB5-E00	2	LIGHT ASSY L HEAD	左前燈	1	
		34901-KFA6-900	0	BULB HEAD LIGHT	燈泡	2	
		34903-KPCP-900	0	BULB POSITION LIGHT	位置燈燈泡	2	
		90651-LCA5-E00	1	CLIP FENDER	束夾	6	
		93903-35360	0	SCREW TAPPING 5*16	螺絲 5*16	4	

F02

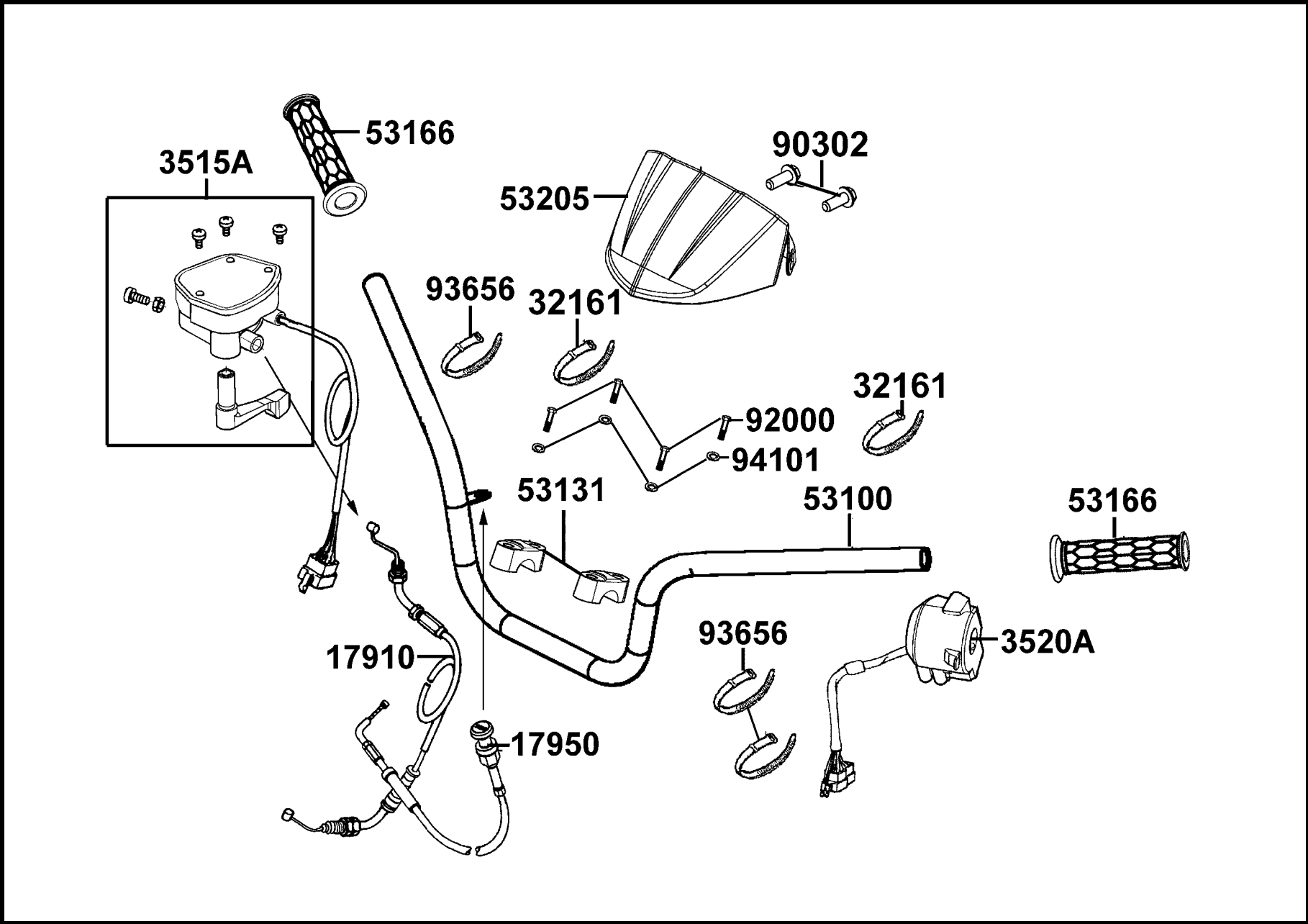
Speed Meter



販賣記號	項目	零件號碼	版數	英文名稱	中文名稱	需要用量	建議售價
Sales mark	Ref no	Part no	Ver	Description	Chinese	Regd no	Ref Price
		37200-LDB5-90A	1	METER ASSY SPDMT	儀表	1	
		37200-LDB5-90B	1	METER ASSY SPDMT	儀表	1	
		93903-35360	0	SCREW TAPPING 5*16	螺絲 5*16	4	

F03

Handle Steering



販賣記號 Sales mark	項目 Ref no	零件號碼 Part no	版數 Ver	英文名稱 Description	中文名稱 Chinese	需要用量 Regd no	建議售價 Ref Price
		17910-LDB5-E00	2	CABLE COMP THROT	節流導線	1	
		17950-LDB5-E00	3	CABLE COMP CHOKE	阻風門導線	1	
		32161-4D04-001	2	BAND BI WIRE	配線夾	2	
		3515A-LDB5-E00	2	SW & THROT ASSY RH HNDL	開關加油把手	1	
		3520A-LDF3-900	0	SW ASSY HANDLE COMP	手柄左開關組	1	
**		53100-LDB5-910	1	HANDLE BAR	轉向手柄	1	
		53131-4K39-001	0	HOLDER HANDLE PIPE	把手固定座管	2	
		53166-LDB5-E00	0	GRIP HANDLE	手柄橡皮套	2	
**		53205-LDB5-E00	3	COVER HANDLE	轉向手柄蓋	1	
		90302-GFY6-940	1	BOLT- WASH 5*16	螺絲 5*16	2	
		90656-KCBC-900	0	BAND OIL HANDLE	油管束帶	3	
		92000-08030-0H	0	BOLT HEX 8*30	螺絲 8*30	4	
		94101-08800	0	WASHER PLAIN 8MM	墊片 8MM	4	

販賣記號 Sales mark	項目 Ref no	零件號碼 Part no	版數 Ver	英文名稱 Description	中文名稱 Chinese	需要用量 Regd no	建議售價 Ref Price
		35340-LBA7-900	1	SW ASSY FR STOP	煞車燈前置開關	1	
		35350-KNBN-901	0	SW ASSY RR STOP	煞車燈後置開關	1	
		43127-LDB5-900	3	HOSE COMP RR BRK	後煞車管總成	1	
		43128-LBA7-900	1	CLAMPER RR BRAKE HOSE	後煞車油管夾	1	
		43530-LDB5-305	0	CYLINDER SET RR MASTER	後煞車主油缸	1	
		45127-LDB5-E00	3	HOSE COMP RR BRK	後煞車油管	1	
		45128-LDB5-900	2	HOSE COMP FR R (C/P) BRK	右前煞車油管	1	
		45129-LDB5-900	2	HOSE ASSY FR L (C/P) BRK	左前煞車油管	1	
		45130-LDB5-900	2	HOSE ASSY C/P FR BRK	前煞車油管	1	
		45132-LBA7-900	1	CLAMPER FR BRAKE HOSE	前煞車油管夾	2	
		45513-KKC4-900	0	CAP M/C	煞車主油缸蓋	1	
		45517-KFAF-910	0	HOLDER M/C	主油缸固定座	2	
		45525-LBA7-900	0	STOPPER	手柄拉桿固定器	1	
		45526-LBA7-900	0	SPRING	彈簧	1	
		45527-LBA7-900	0	PIN PARK	固定銷	1	
		45530-LDB5-306	0	CYLINDER SET FR	前煞車主油缸	1	
		53175-LDB5-900	0	LEVER R STRG HNDL	手柄右拉桿	1	
		53178-KFC8-E10	0	LEVER L STRG HANDLE	手柄左拉桿	1	
		90114-1F66-007	2	BOLT HANDLE LEVER	右拉桿固定螺絲	2	
		90145-MKS9-61A-06	1	OIL BOLT 10*22	螺絲 10*22	9	

販賣記號 Sales mark	項目 Ref no	零件號碼 Part no	版數 Ver	英文名稱 Description	中文名稱 Chinese	需要用量 Regd no	建議售價 Ref Price
		90545-3L00-001	2	WASHER OIL BOLT	華司	18	
		93600-04012-1G	0	SCREW FLAT 4*12	螺絲 4*12	4	
		93893-04012-18	0	SCREW WASHER 4*12	螺絲 4*12	1	
		94050-06060	0	NUT FLANGE 6MM	螺帽 6MM	2	
		94050-08080	0	NUT FLANGE 8MM	螺帽 8MM	1	
		95701-06012-06	1	BOLT FLANGE 6*12	螺絲 6*12	1	
		96001-06022-06	1	BOLT FLANGE SH 6*22	螺絲 6*22	4	

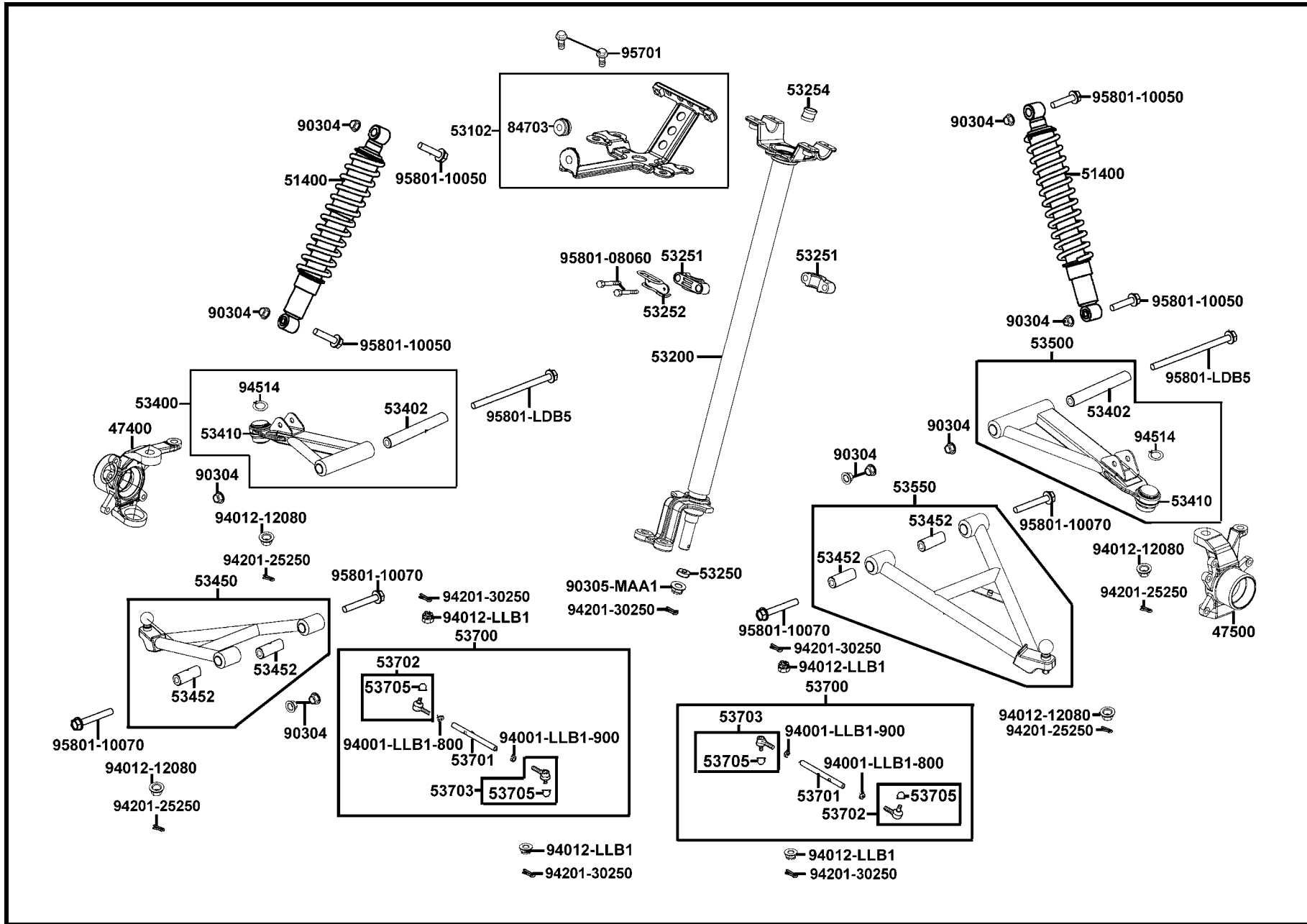
販賣記號 Sales mark	項目 Ref no	零件號碼 Part no	版數 Ver	英文名稱 Description	中文名稱 Chinese	需要用量 Regd no	建議售價 Ref Price
**		17700-LDB5-E00	2	COVER TANK	油箱護蓋	1	
		17705-LDB5-E00	2	TUBE ASSY FUEL DRAIN	溢流管	1	
		17720-LBA7-900	1	TRAY TANK COVER	油箱托盤	1	
**		60100-LDB5-E00	3	FENDER FRONT	前土除	1	
**		6010C-LDB5-E00	3	LID ASSY TOOL BOX	工具箱蓋組	1	
		60108-LDB5-E00	2	SEAL LID	防水墊片	1	
		6010B-LDB5-E00	2	BOX ASSY TOOL	工具箱組	1	
**		60120-LDB5-E00	3	GUIDE COVER CHANGE HANDLE	排檔桿檔位導蓋	1	
**		60130-LDB5-E00	3	PROTECTOR R	右護蓋	1	
		60140-LDB5-E00	3	PROTECTOR L	左護蓋	1	
		60200-LDB5-E00	1	MUDGUARD FRONT	前擋泥板	1	
**		61200-LDB5-E00	1	MUDGUARD R FR SIDE	右前擋泥板	1	
**		61300-LDB5-E00	1	MUDGUARD L FR SIDE	左前擋泥板	1	
		64222-LLJ3-E00	1	RUBBER WIND SCREW	橡皮	2	
**		64300-LDB5-E00	2	GUARD ENGINE	引擎護蓋	1	
**		64302-LDB5-E00	3	BUMPER FRONT	前保險桿蓋	1	
		64307-LCA5-900	2	CAP R FR BUMPER	前保險桿右小蓋	1	
		64308-LCA5-900	2	CAP L FR BUMPER	前保險桿左小蓋	1	
**		6430A-LDB5-E00	1	COVER ASSY FRONT	前護蓋組	1	
**		64330-LDB5-E00	4	COVER R LOWER	右下蓋	1	

販賣記號 Sales mark	項目 Ref no	零件號碼 Part no	版數 Ver	英文名稱 Description	中文名稱 Chinese	需要用量 Regd no	建議售價 Ref Price
**		64340-LDB5-E00	4	COVER L LOWER	左下蓋	1	
		80110-LDB5-900	1	RUBBER FENDER	外蓋索環	2	
		80115-LDB5-900	1	COLLAR FENDER	套筒	2	
		83551-LDB5-E00	1	GROMMET COVER	外蓋索環	3	
		90110-LLB1-800	2	SCREW SPECIAL 6*16	螺絲 6*16	2	
		90302-PWA1-900	1	BOLT WASH 5*16	螺絲 5*16	2	
		90305-GHK8-001	1	NUT CLIP 6MM	夾螺帽	2	
		90652-LCA4-E00	1	CLIP MUDGUARD	螺絲	18	
		90655-PWA2-900	1	CLIP FENDER MOUNTING	固定夾	4	
		90677-GAR1-004	1	NUT CLIP 5MM	螺帽 5MM	2	
		93404-06016-06	0	BOLT WASHER 6*16	螺絲 6*16	12	
		93404-06020-06	1	BOLT WASHER 6*20	螺絲 6*20	2	
		93903-34360	0	SCREW TAPPING 4*12	螺絲 4*12	2	
		93903-35260	0	SCREW TAPPING 5*12	螺釘 5*12	5	
		93903-35360	0	SCREW TAPPING 5*16	螺釘 5*16	12	
		94050-LDE9-E00	1	NUT LOCK	螺帽	2	
		94591-27000	0	CLIP 2*70	夾子	2	
		95002-02100	0	CLIP B10 TUBE	管夾	1	

販賣記號 Sales mark	項目 Ref no	零件號碼 Part no	版數 Ver	英文名稱 Description	中文名稱 Chinese	需要用量 Regd no	建議售價 Ref Price
		47400-LDB5-E00	6	KNUCKLE ASSY R	轉向桿右連接輪軸	1	
		47500-LDB5-E00	3	KNUCKLE ASSY L	轉向桿左連接輪軸	1	
**		51400-LDB5-E00	4	CUSHION ASSY FR	前避震器	2	
		53102-LDB5-E00	3	STAY HANDLE COVER	手柄蓋支架	1	
		53200-LDB5-900	5	STEM COMP STEERING	轉向主桿	1	
		53250-LBA7-900	2	COLLAR STEM BOTTOM	套筒	1	
		53251-LCA5-E00	1	HOLDER STEM STEERING	轉向主桿固定座	2	
		53252-LBA7-900	4	CLAMPER STEM HOLDER	束夾	1	
		53254-LBA7-900	3	SLEEVE STEM	轉向套子	1	
		53400-LDB5-E00	8	ARM ASSY R (UPPER)	右上緩衝臂組	1	
		53402-LDB5-E00	3	BUSH SWING ARM	搖臂襯套	2	
		53410-LDB5-E00	2	BALL JOINT ASSY ARM	搖臂接頭	2	
**		53450-LDB5-E00	6	ARM ASSY R (LOWER)	右下緩衝臂組	1	
		53452-LDB5-E00	4	BUSH SWING ARM	搖臂襯套	4	
		53500-LDB5-E00	5	ARM ASSY L (UPPER)	左上緩衝臂組	1	
**		53550-LDB5-E00	3	ARM ASSY L (LOWER)	左下緩衝臂組	1	
		53700-LDB5-E00	5	ROD ASSY TIE	轉向連接桿組	2	
		53701-LDB5-E00	3	ROD COMP STEERING	轉向連接桿	2	
		53702-LLB1-900	8	JOINT R BALL	右球型接頭	2	
		53703-LLB1-900	8	JOINT L BALL	左球型接頭	2	

F06

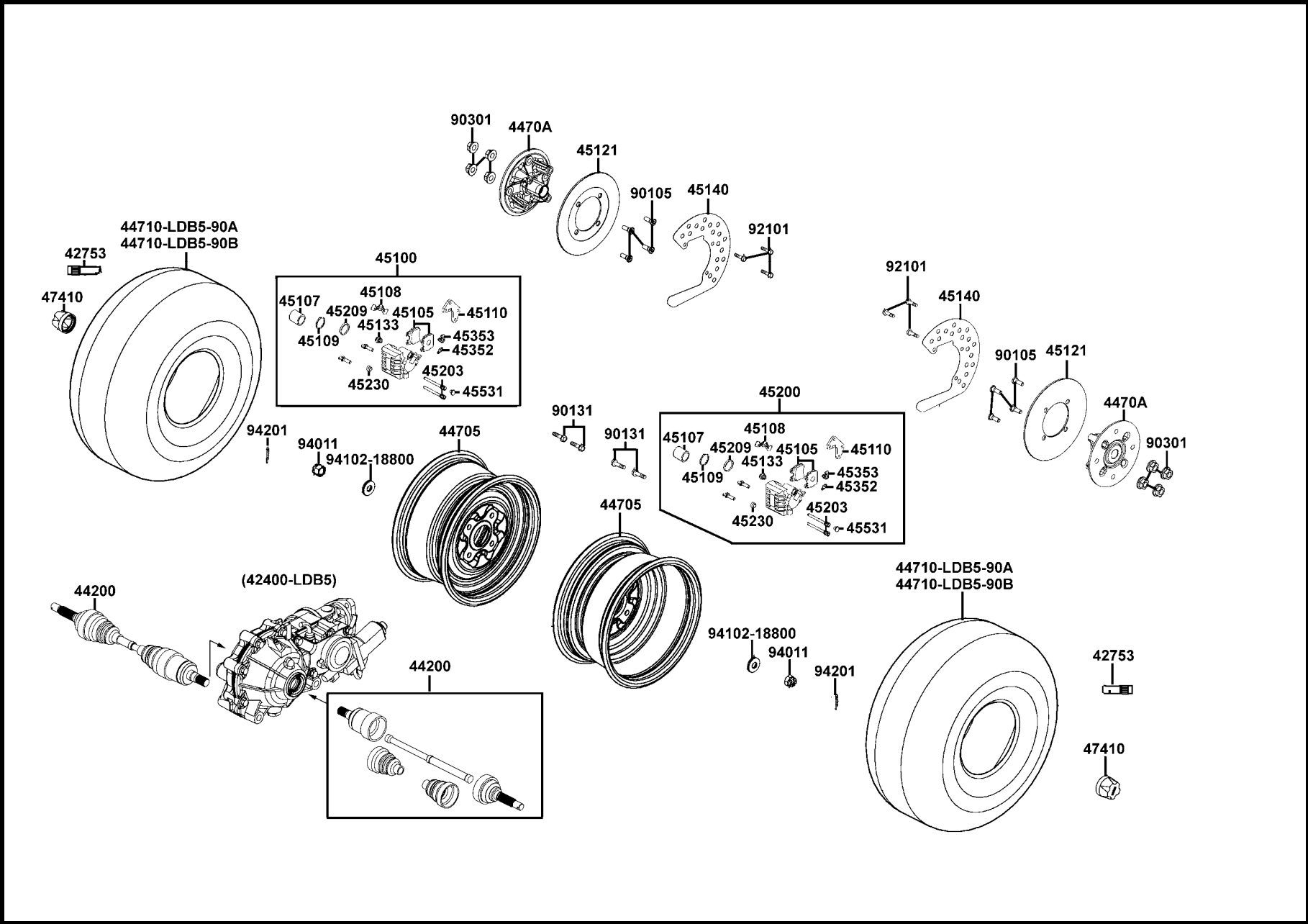
Stem Steering



販賣記號 Sales mark	項目 Ref no	零件號碼 Part no	版數 Ver	英文名稱 Description	中文名稱 Chinese	需要用量 Regd no	建議售價 Ref Price
		53705-LLB1-900	3	BOOT BALL JOINT	防塵套	4	
		84703-LLB1-900	1	RUBBER TAIL LIGHT	橡皮	1	
		90304-GHE8-004-SW	0	NUT U 10MM	螺帽 10MM	10	
		90305-MAA1-004-SY	0	U NUT FLANGE 14MM	螺帽 14MM	1	
		94001-LLB1-800	2	NUT HEX 10MM	螺帽 10MM	2	
		94001-LLB1-900	2	NUT HEX LH 10MM	左牙螺帽 10MM	2	
		94012-12080-0S	0	NUT CASTLE 12MM	螺帽 12MM	4	
		94012-LLB1-900	1	NUT CASTLE 10MM	螺帽 10MM	4	
		94201-25250	0	PIN SPLIT 2.5*25	插銷 2.5*25	4	
		94201-30250	0	PIN SPLIT 3*25	插銷 3*25	5	
		94514-34000	0	CIR CLIP EX 34	外環夾	2	
		95701-06012-06	1	BOLT FLANGE 6*12	螺絲 6*12	2	
		95801-08060-06	0	BOLT FLANGE 8*60	螺絲 8*60	2	
		95801-10050-06	1	BOLT FLANGE 10*50	螺絲 10*50	4	
		95801-10070-06	1	BOLT FLANGE 10*70	螺絲 10*70	4	
		95801-LDB5-E00	1	BOLT FLANGE 10*162	螺絲 10*162	2	

F07

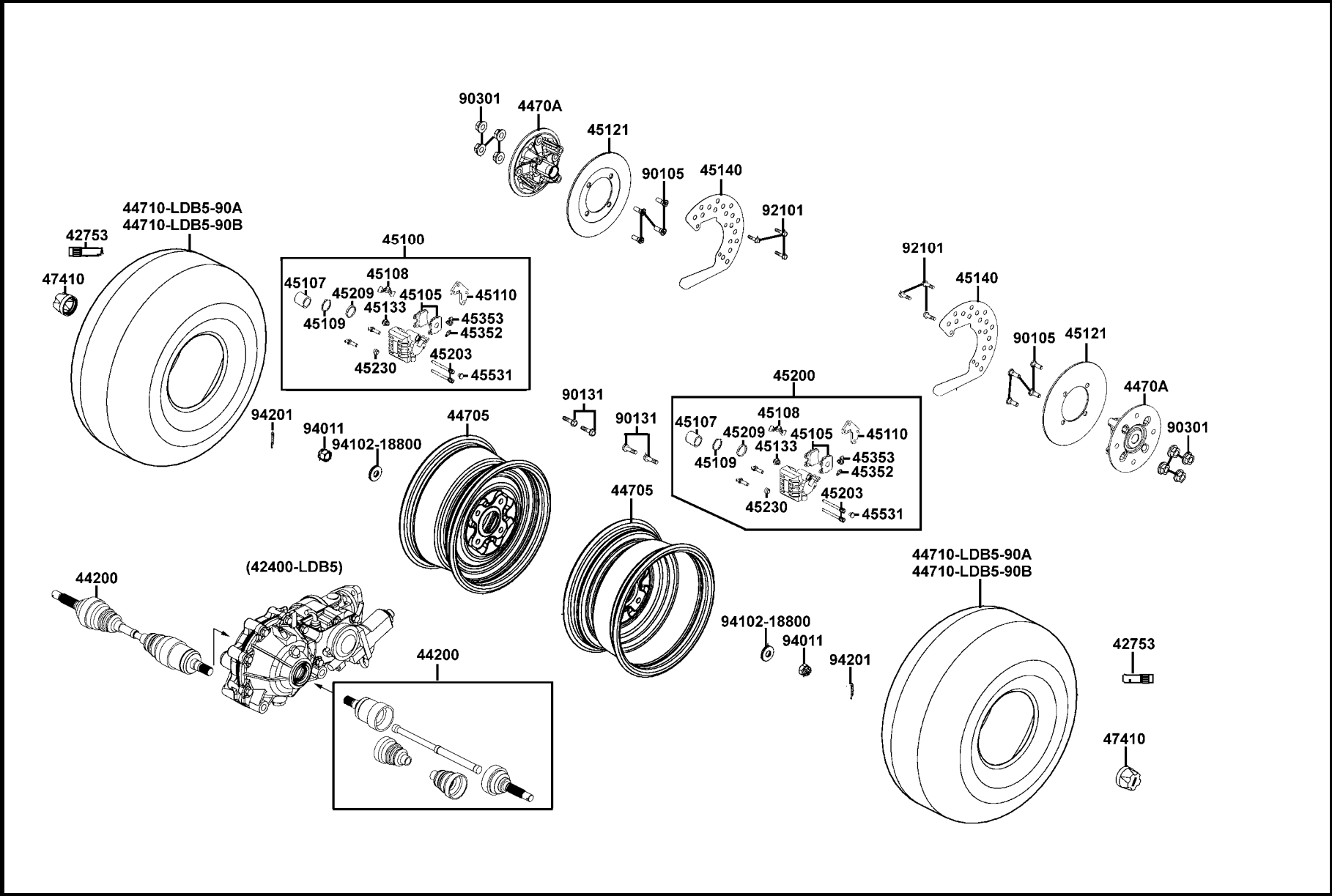
Front Wheel



販賣記號 Sales mark	項目 Ref no	零件號碼 Part no	版數 Ver	英文名稱 Description	中文名稱 Chinese	需要用量 Regd no	建議售價 Ref Price
		42753-KNBN-90B	1	VALVE RIM (TR 412)	打氣嘴	2	
		44200-LDB5-E00	5	CVJ ASSY	傳動軸	2	
**		44705-LDB5-90A	2	RIM COMP FR WHEEL	前輪圈	2	
		4470A-LDB5-E00	4	HUB ASSY FR WHEEL	前輪殼組	2	
		44710-LDB5-90A	1	TIRE ASSY FR	前輪胎	2	
		44710-LDB5-90B	1	TIRE ASSY FR	前輪胎	2	
**		45100-LDB5-900	2	CALIPER ASSY FR R	右前煞車卡鉗	1	
		45105-PWA1-305	0	PAD SET	前煞車摩擦板組	2	
		45107-LBA7-900	0	PISTON	卡鉗活塞	2	
		45108-LBA7-900	0	SPRING PAD	摩擦板彈簧	2	
		45109-LBA7-900	0	DUST SEAL	防塵封	2	
		45110-LBA7-305	0	BRACKET R	右煞車卡鉗托架	2	
		45121-LDB5-E00	2	DISK FR BRK	前煞車圓碟	2	
		45133-LBA7-900	0	BOOT A	襯套 A	2	
		45140-LDB5-E00	2	RING WHEEL	煞車輪環	2	
**		45200-LDB5-900	2	CALIPER ASSY FR L	左前煞車卡鉗	1	
		45203-LBA7-900	0	PIN HANGER	吊架銷	4	
		45209-LBA7-900	0	SEAL PISTON	油封	2	
		45230-LBA7-900	0	BUSH PIN	襯套	2	
		45352-LBA7-900	0	BLEEDER	加油嘴	2	

F07

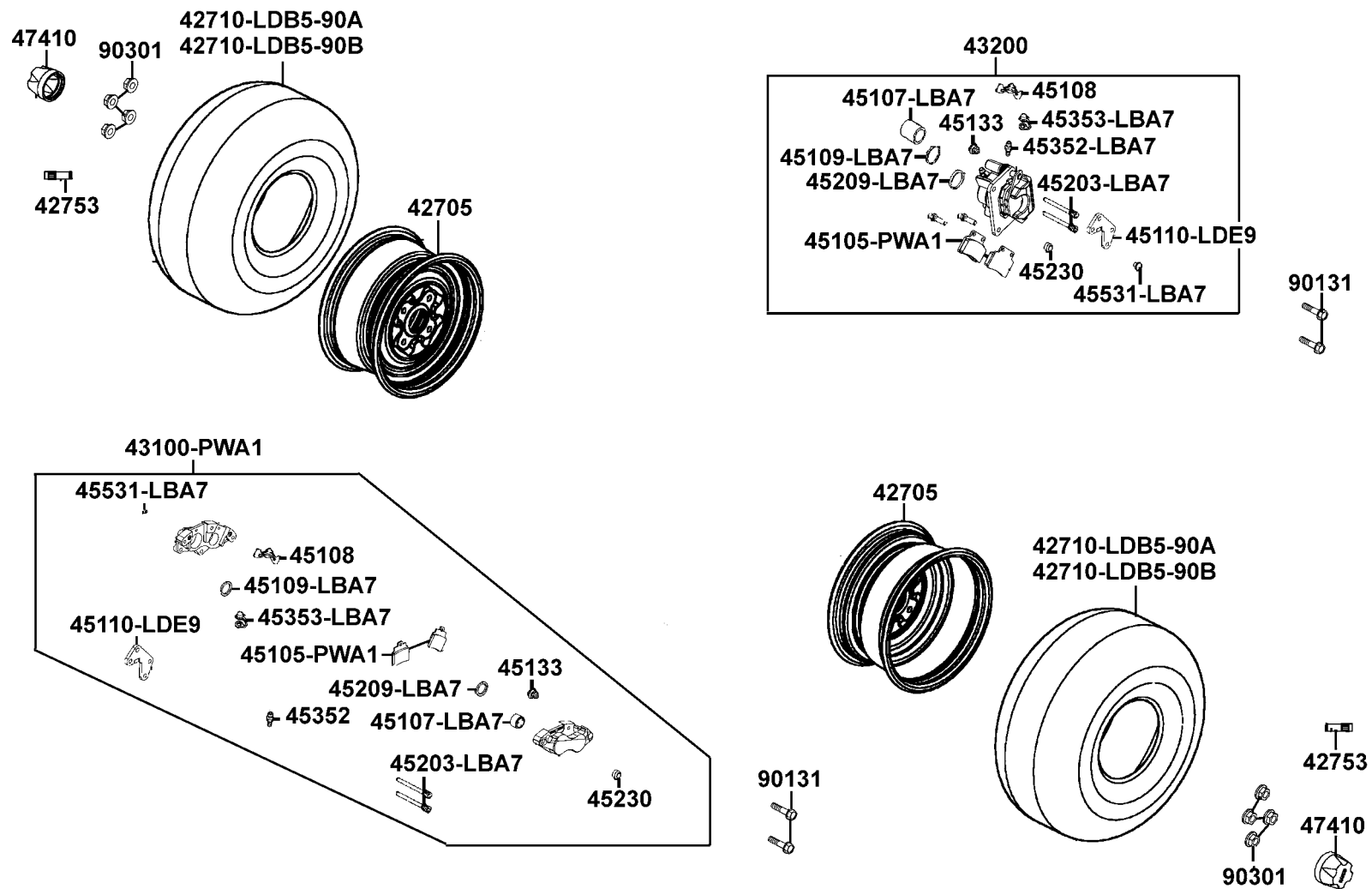
Front Wheel



販賣記號 Sales mark	項目 Ref no	零件號碼 Part no	版數 Ver	英文名稱 Description	中文名稱 Chinese	需要用量 Regd no	建議售價 Ref Price
		45353-LBA7-900	0	CAP BLEEDER	加油嘴蓋	2	
		45531-LBA7-900	0	PLUG	塞蓋	2	
		47410-LDB5-E00	2	CAP WHEEL CENTER	輪軸防塵蓋	2	
		90105-MLL0-731	1	BOLT RR DISK 8*24	螺絲 8*24	8	
		90131-LDB5-E00	1	BOLT FLANGE 8*20	螺絲 8*20	4	
		90301-LDB5-E00	2	NUT WHEEL	輪子螺帽	8	
		92101-06010-0H	0	BOLT HEX 6*10	螺絲 6*10	6	
		94011-LDB5-E00	2	NUT CASTLE 18MM	螺帽 18MM	2	
		94102-18800	0	WASHER PLAIN 18MM	墊圈 18MM	2	
		94201-40400	0	PIN SPLIT 4*40	插銷 4*40	2	

F08

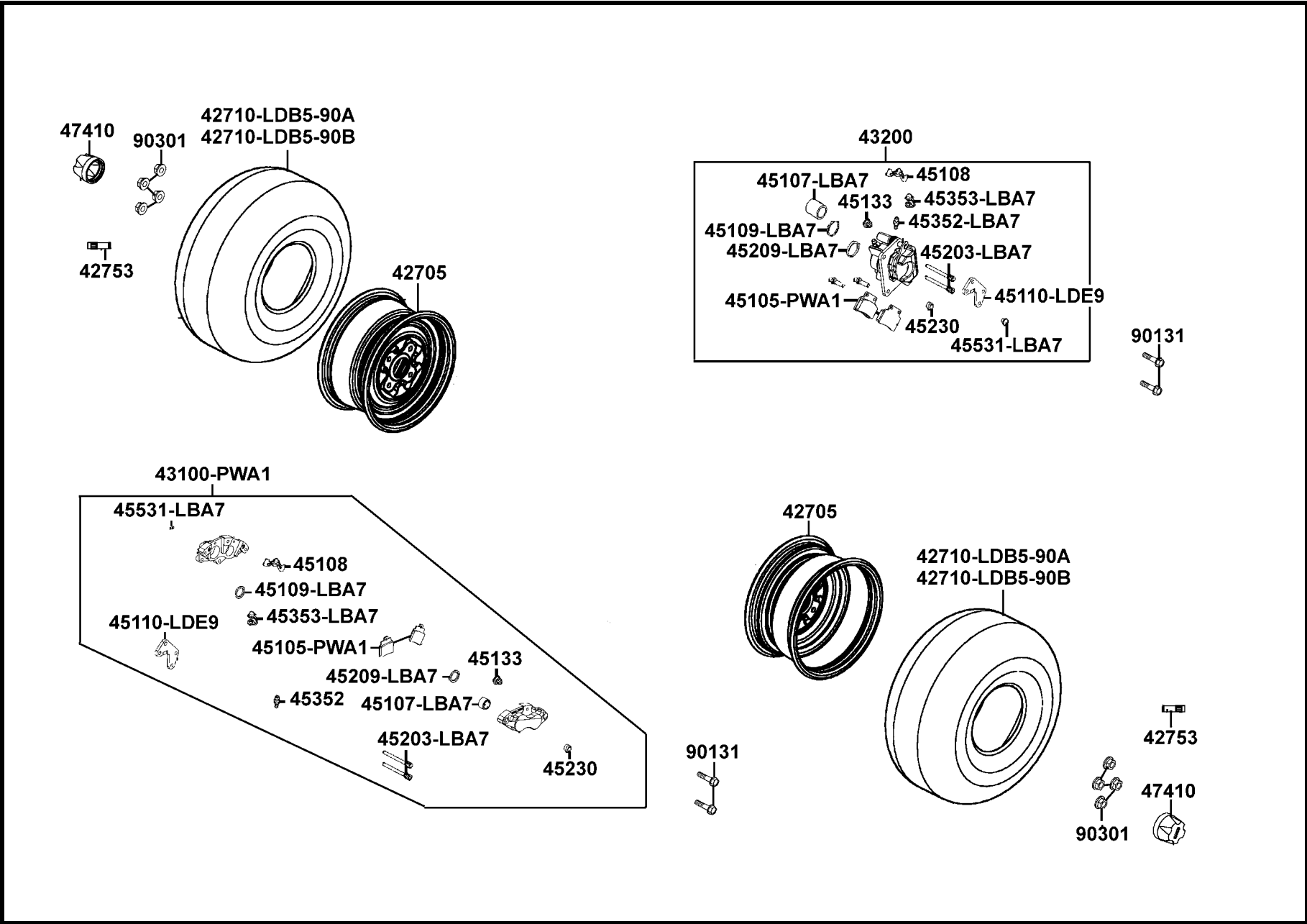
Rear Wheel



販賣記號 Sales mark	項目 Ref no	零件號碼 Part no	版數 Ver	英文名稱 Description	中文名稱 Chinese	需要用量 Regd no	建議售價 Ref Price
**		42705-LDB5-90A	2	RIM RR WHEEL	後輪圈	2	
		42710-LDB5-90A	1	TIRE ASSY RR	後輪胎	2	
		42710-LDB5-90B	1	TIRE ASSY RR	後輪胎	2	
		42753-KNBN-90B	1	VALVE RIM (TR412)	打氣嘴	2	
**		43100-PWA1-900	3	CALIPER ASSY RR BRK	後煞車卡鉗	1	
**		43200-LDE9-E00	3	CALIPER ASSY RR	後煞車卡鉗	1	
		43352-KKD6-E90	1	SCREW BLEEDER	加油嘴	1	
		45105-PWA1-305	0	PAD SET	煞車摩擦板組	2	
		45107-LBA7-900	0	PISTON	卡鉗活塞	2	
		45108-LBA7-900	0	SPRING PAD	彈簧	2	
		45109-LBA7-900	0	DUST SEAL	防塵油封	2	
		45110-LDE9-305	0	BRACKET CALIPER	後煞車卡鉗托架	2	
		45133-LBA7-900	0	BOOT A	襯套	2	
		45203-LBA7-900	0	PIN HANGER	吊架銷	4	
		45209-LBA7-900	0	SEAL PISTON	活塞油封	2	
		45230-LBA7-900	0	BUSH PIN	插銷	2	
		45352-LBA7-900	0	BLEEDER	加油嘴	2	
		45353-LBA7-900	0	CAP BLEEDER	加油嘴蓋	2	
		45531-LBA7-900	0	PLUG	塞蓋	2	
		47410-LDB5-E00	2	CAP WHEEL SHAFT	輪軸防塵蓋	2	

F08

Rear Wheel

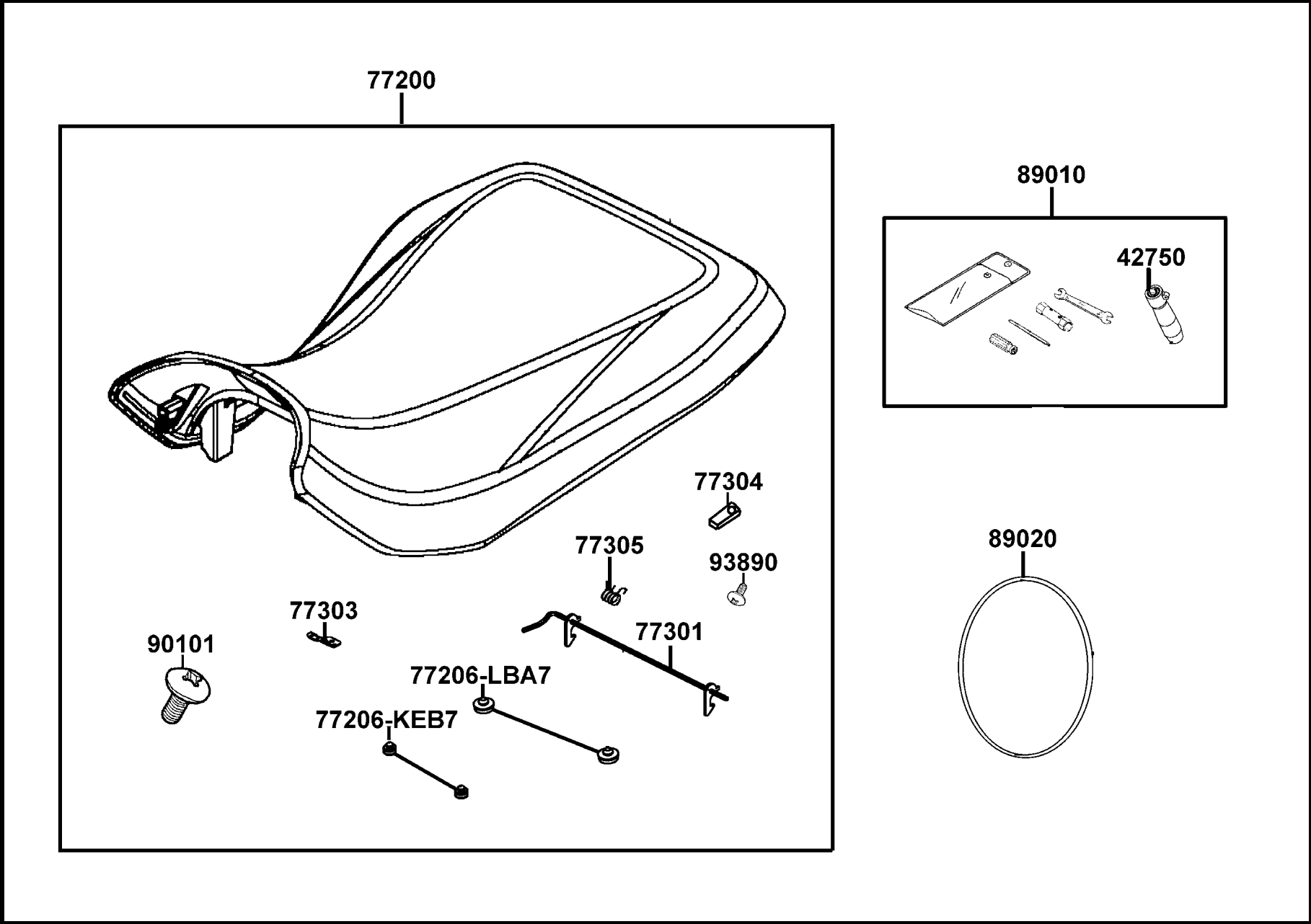


販賣記號	項目	零件號碼	版數	英文名稱	中文名稱	需要用量	建議售價
Sales mark	Ref no	Part no	Ver	Description	Chinese	Regd no	Ref Price
		90131-LDB5-E00	1	BOLT FLANGE 8*20	螺絲 8*20	4	
		90301-LDB5-E00	2	NUT WHEEL	輪子螺帽	8	

F08

F09

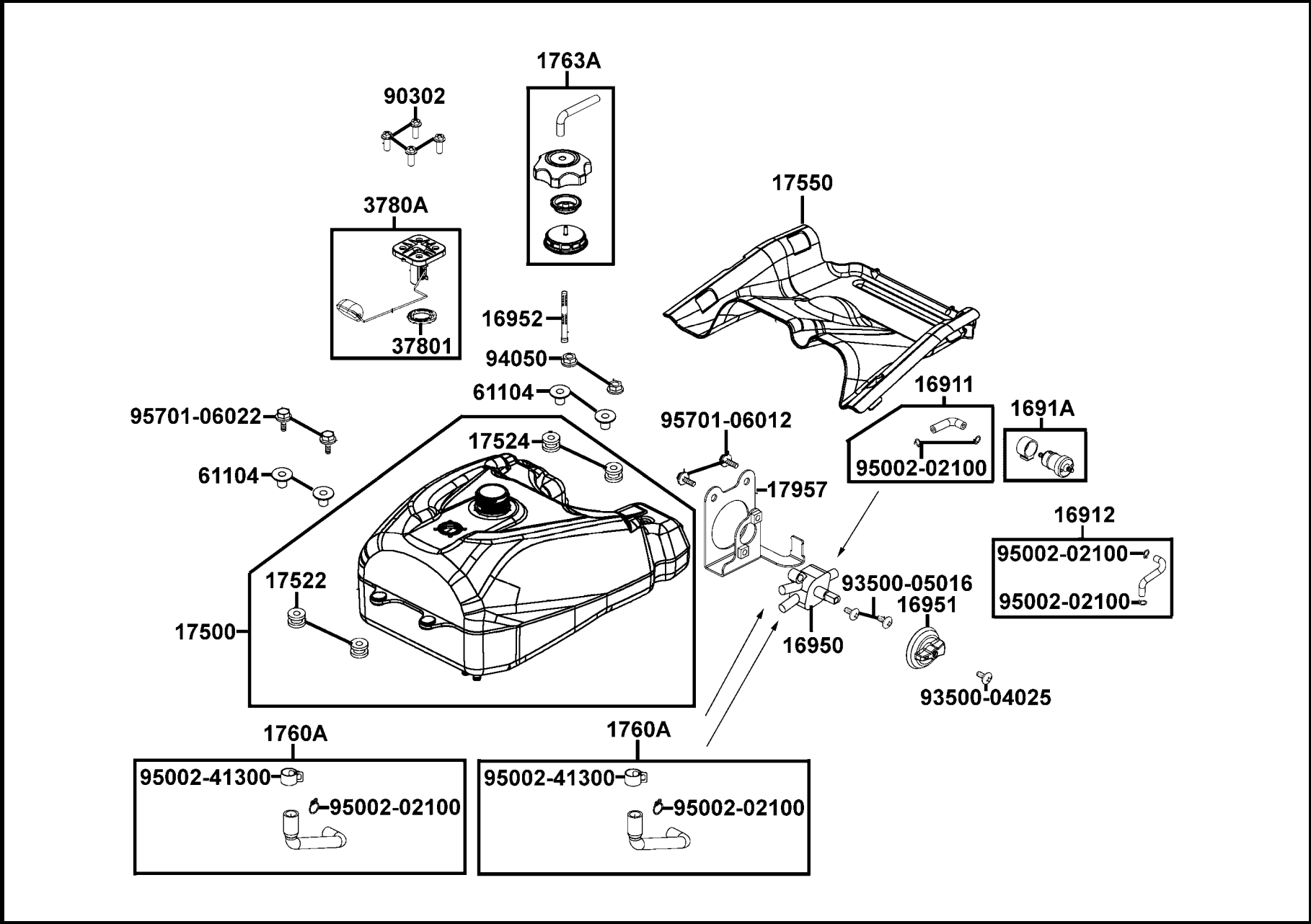
Seat



販賣記號 Sales mark	項目 Ref no	零件號碼 Part no	版數 Ver	英文名稱 Description	中文名稱 Chinese	需要用量 Regd no	建議售價 Ref Price
		42750-LLB1-900	0	GEAR AIR PRESSURE	胎壓計	1	
**		77200-LDB5-E00	4	SEAT ASSY	座墊	1	
		77206-KEB7-900	0	RUBBER SEAT CUSH	橡皮	2	
		77206-LBA7-900	1	RUBBER SEAT CUSH	橡皮	2	
		77301-LDB5-E00	3	LOCK COMP SEAT	座墊鉤	1	
		77303-LDB5-E00	1	STAY SEAT	座墊架	1	
		77304-LDB5-E00	0	STAY HOOK	固定架	1	
		77305-LDB5-E00	1	SPRING HOOK BAR	彈簧	1	
		89010-LDB5-E00	3	TOOL SET	工具包	1	
		89020-KKC4-900	1	BAND TOOL SET	束帶	1	
		90101-KGC4-E00	1	SCREW SPECIAL 6*15	特殊螺絲 6*15	1	
		93890-LDB5-E00	0	BOLT M4	螺絲	1	

F10

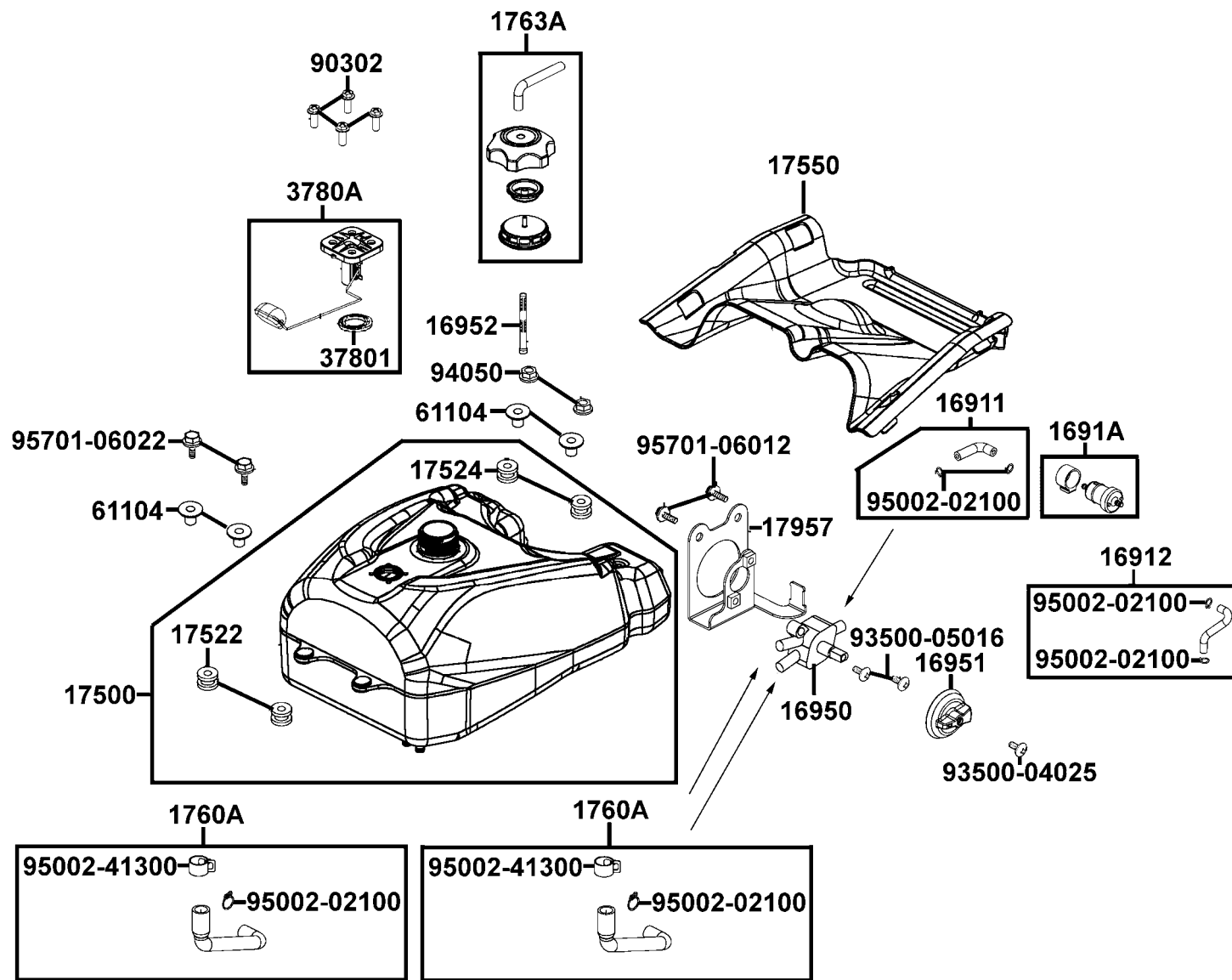
Fuel Tank



販賣記號 Sales mark	項目 Ref no	零件號碼 Part no	版數 Ver	英文名稱 Description	中文名稱 Chinese	需要用量 Regd no	建議售價 Ref Price
		16911-LDB5-MY0	1	TUBE ASSY FUEL	油管組	1	
		16912-LDB5-MY0	1	TUBE ASSY FUEL	油管組	1	
		1691A-GFY6-90A	3	STRAINER ASSY FUEL	濾油器組	1	
		16950-LDB5-E00	1	COCK FUEL	自動油杯組	1	
**		16951-LDB5-E00	2	COVER FUEL COCK	油杯護蓋	1	
		16952-LLB1-900	1	SCREEN FUEL STRAINER	過濾器隔板	1	
		17500-LDB5-MY0	1	TANK COMP FUEL	油箱	1	
		17522-LLB1-900	1	RUBBER FUEL TANK	油箱橡皮	2	
		17524-LLB1-900	1	RR RUBBER FUEL TANK	後油箱橡皮	2	
**		17550-LDB5-E00	1	GUARD FUEL TANK	油箱護蓋	1	
		1760A-LDB5-E00	1	TUBE ASSY FUEL TANK	油箱油管	2	
		1763A-LDB5-MY0	1	CAP ASSY FUEL FILLER	油箱蓋	1	
		17957-LDB5-E00	2	STAY FUEL COCK	油杯座	1	
		37801-LAB4-910	1	PACKING BASE	墊圈	1	
		3780A-LDB5-900	0	FUEL UNIT ASSY	汽油量指示浮筒組	1	
		61104-3G57-001	0	COLLAR FR FENDER	前土除套筒	4	
		90302-GBR2-001	1	BOLT WASHER 5*16	螺絲 5*16	4	
		93500-04025-0H	0	SCREW PAN 4*25	螺絲 4*25	1	
		93500-05016-1B	0	SCREW PAN 5*16	螺絲 5*16	2	
		94050-06080	0	NUT FLANGE 6MM	螺帽 6MM	2	

F10

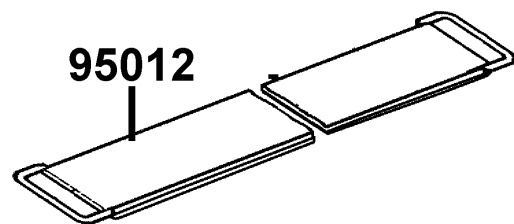
Fuel Tank



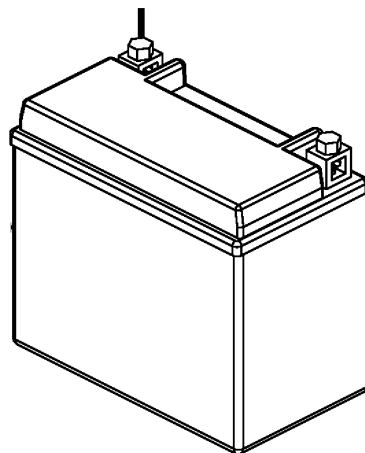
販賣記號	項目	零件號碼	版數	英文名稱	中文名稱	需要用量	建議售價
Sales mark	Ref no	Part no	Ver	Description	Chinese	Reqd no	Ref Price
		95002-02100	0	CLIP B10 TUBE	管夾	6	
		95002-41300-00	0	CLAMP D13 TUBE	管夾	2	
		95701-06012-06	1	BOLT FLANGE 6*12	螺絲 6*12	2	
		95701-06022-06	1	BOLT FLANGE 6*22	螺絲 6*22	2	

F11

Battery



31500-LDB5-E0A
31500-LDB5-E0B



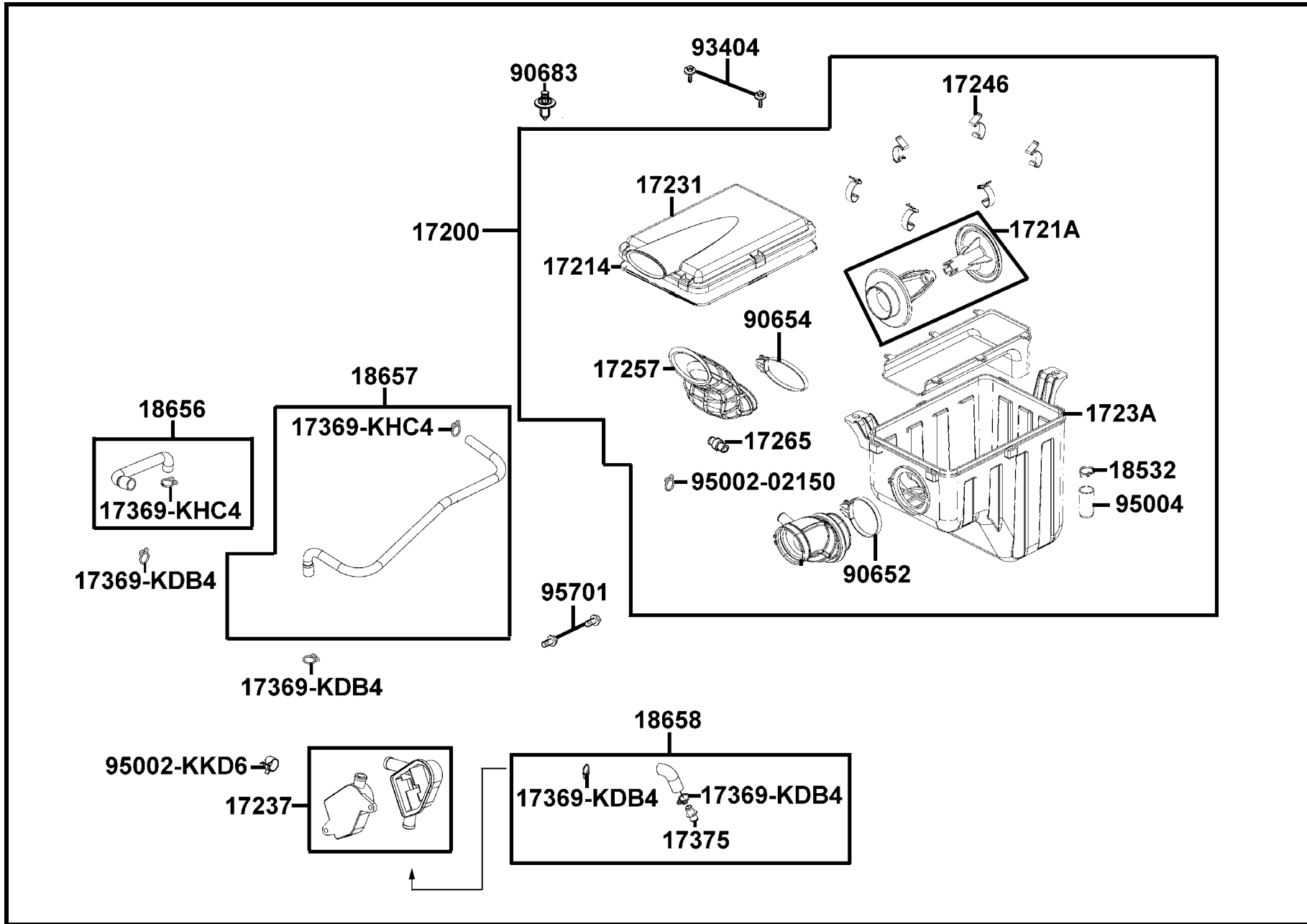
販賣記號	項目	零件號碼	版數	英文名稱	中文名稱	需要用量	建議售價
Sales mark	Ref no	Part no	Ver	Description	Chinese	Regd no	Ref Price
		31500-LDB5-E0A	2	BATTERY YTX20LBS	電瓶	1	
		31500-LDB5-E0B	2	BATTERY GTX20LBS	電瓶	1	
		95012-KKA7-900	1	TOOL BAND	工具束環	1	

販賣記號 Sales mark	項目 Ref no	零件號碼 Part no	版數 Ver	英文名稱 Description	中文名稱 Chinese	需要用量 Regd no	建議售價 Ref Price
**		17560-LDB5-E00	1	PLATE HEAT INSULATION	隔熱板	1	
		50612-LDB5-E00	4	RNFCT FLOOR	前踏板底架	2	
		64222-LLJ3-E00	1	RUBBER WIND SCREEN	遮陽板橡皮	4	
		70529-6G57-671	0	GROM B SIDE PNL	橡皮塞	1	
**		7734A-LDB5-E00	2	COVER ASSY CARRIER	置物架蓋組	2	
**		80100-LDB5-E00	4	FENDER REAR	後擋泥板	1	
		80110-LBA7-900	1	RUBBER REAR FENDER	後擋泥板橡皮	2	
**		80121-LDB5-E00	2	MUDGUARD R FLOOR	右腳架板	1	
**		80122-LDB5-E00	2	MUDGUARD L FLOOR	左腳架板	1	
		80125-LBD4-900	1	COLLAR FLOOR	套筒	4	
**		80200-LDB5-E00	2	MUDGUARD REAR	後擋泥板	1	
**		81200-LDB5-E00	1	MUDGUARD R RR SIDE	右後邊擋泥板	1	
**		81300-LDB5-E00	1	MUDGUARD L RR SIDE	左後邊擋泥板	1	
		83500-LDB5-E00	2	COVER R SIDE	右側蓋	1	
		83600-LDB5-E00	2	COVER L SIDE	左側蓋	1	
		83605-LDB5-E00	1	HEAT GUARD L SIDE COVER	左邊蓋隔熱鋁箔	1	
		83606-LDB5-E00	1	HEAT GUARD L SIDE COVER	左邊蓋隔熱鋁箔	1	
		90110-LLB1-800	2	SCREW SPECIAL 6*16	螺絲 6*16	2	
		90302-PWA1-900	1	BOLT-WASH 5*16	螺絲 5*16	2	
		90651-LCA5-E00	1	CLIP FENDER	土除束夾	3	

販賣記號 Sales mark	項目 Ref no	零件號碼 Part no	版數 Ver	英文名稱 Description	中文名稱 Chinese	需要用量 Regd no	建議售價 Ref Price
		90652-LCA4-E00	1	CLIP MUDGUARD	束夾	34	
		90655-PWA2-900	1	CLIP FENDER MOUNTING	固定夾	4	
		90677-GAR1-004	1	NUT CLIP 5MM	螺帽 5MM	2	
		93404-06016-06	0	BOLT WASHER 6*16	螺絲 6*16	17	
		93404-06020-06	1	BOLT WASHER 6*20	螺絲 6*20	4	
		93903-34360	0	SCREW TAPPING 4*12	螺絲 4*12	2	
		93903-35360	0	SCREW TAPPING 5*16	螺絲 5*16	8	
		94050-06080	0	NUT FLANGE 6MM	螺帽 6MM	4	
		94050-LDE9-E00	1	NUT LOCK	尼龍螺帽	4	
		94101-06800	0	WASHER PLAIN 6MM	墊圈 6MM	4	
		94591-27000	0	CLIP 2*70	夾子 2*70	2	

F13

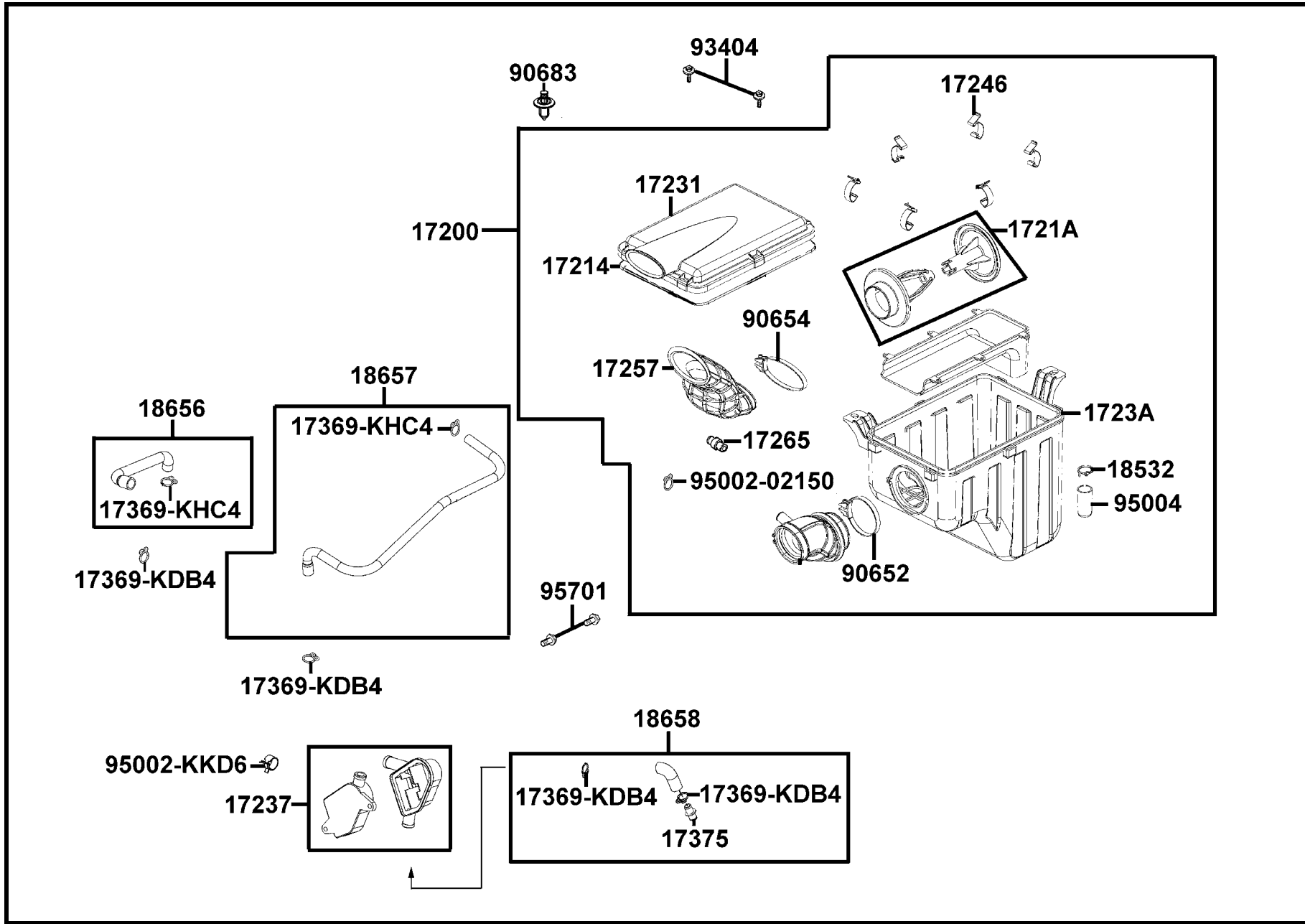
Air Cleaner



販賣記號 Sales mark	項目 Ref no	零件號碼 Part no	版數 Ver	英文名稱 Description	中文名稱 Chinese	需要用量 Regd no	建議售價 Ref Price
		17200-LDB5-E00	5	AIR/C ASSY	空氣濾清器組	1	
		17214-LDB5-E00	2	SEAL AIR/C CASE	空氣濾清器蓋防水封	1	
		1721A-LDB5-E00	2	ELEMENT COMP AIR/C	空氣濾清器濾芯	1	
		17237-KED9-900	3	OIL CATCH ASSY	補強油管	1	
		1723A-LDB5-E00	3	CASE ASSY AIR/C	空氣濾清器箱	1	
		17231-LDB5-E00	0	COVER ASSY AIR/C	空氣濾清器蓋	1	
		17246-LBA7-900	2	CLAMP AIR/C	空氣濾清器束帶	6	
		17257-LDB5-E00	3	DUCT A AIR/C CASE	空氣導管	1	
		17265-LBA7-900	1	JOINT BLOW BY	空氣濾清器箱接頭	1	
		17369-KDB4-671	1	CLIP BREATHER TUBE	通氣管夾	4	
		17369-KHC4-900	0	CLIP BREATHER TUBE	通氣管夾	2	
		17375-KED9-900	1	PLUG OIL CATCH	補強油塞	1	
		18532-6D34-671	0	CLIP AIR HOSE 21.5	環夾	1	
		18656-LDB5-E00	3	TUBE A OIL CATCH	補強油管 A	1	
		18657-LDB5-E00	2	TUBE B OIL CATCH	補強油管 B	1	
		18658-KED9-900	2	TUBE C OIL CATCH	補強油管 C	1	
		90652-LLJ3-E00	0	BAND CONNECTING TUBE	連接管固定帶	1	
		90654-LDB5-E00	2	BAND 81 REAR CVT DUCT	連接管固定帶	1	
		90683-GAR1-004	4	CLIP BODY COVER	邊蓋夾	1	
		93404-06012-06	0	BOLT WASHER 6*12	螺絲 6*12	2	

F13

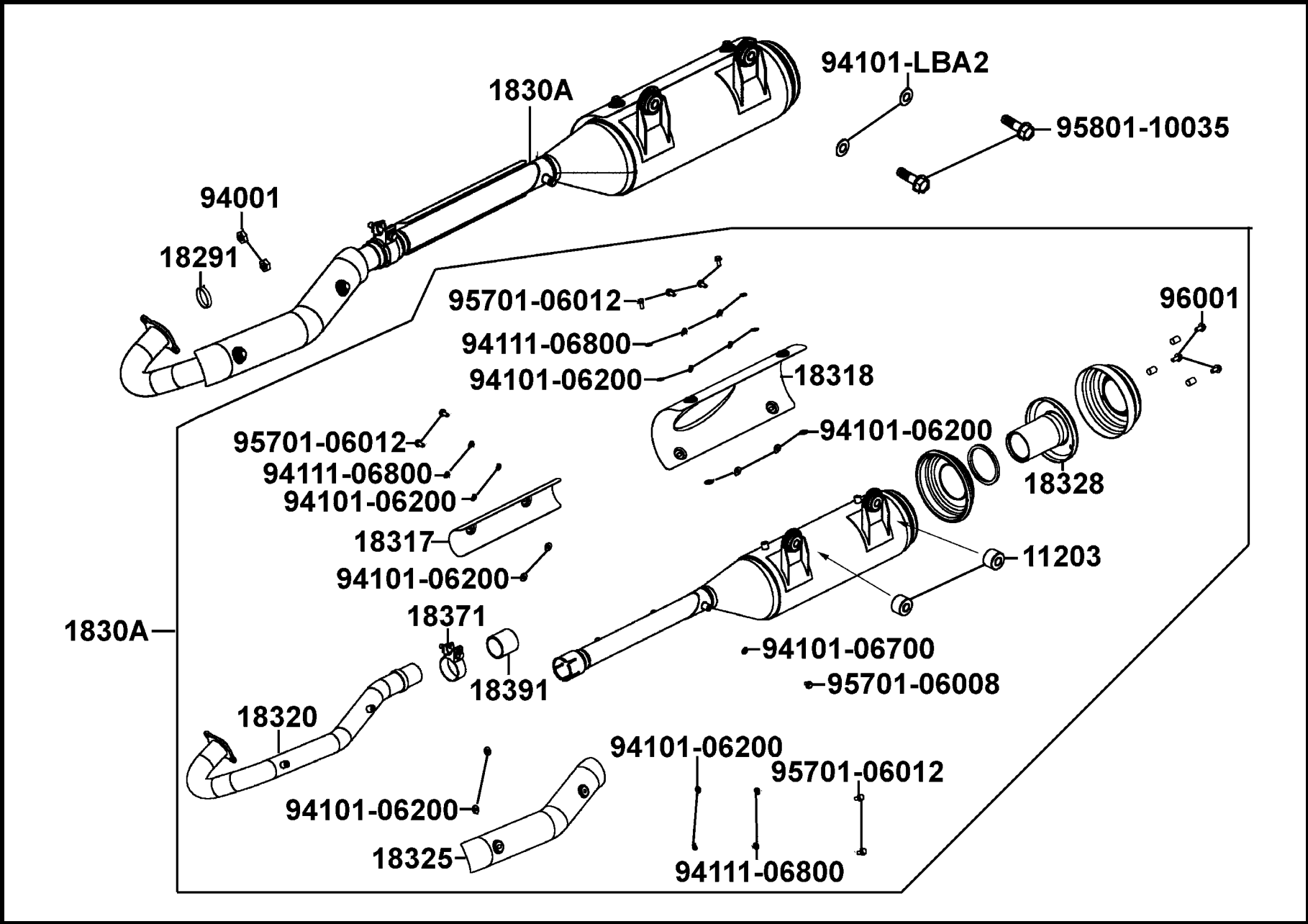
Air Cleaner



販賣記號 Sales mark	項目 Ref no	零件號碼 Part no	版數 Ver	英文名稱 Description	中文名稱 Chinese	需要用量 Regd no	建議售價 Ref Price
		95002-02150	0	CLIP B15 TUBE	管夾	1	
		95002-KKD6-E05	0	CLAMP D18 TUBE	管夾	1	
		95004-LBA7-900	0	TUBE DRAIN	通氣管	1	
		95701-06016-06	0	BOLT FLANGE 6*16	螺絲 6*16	2	

F14

Exhaust Muffler

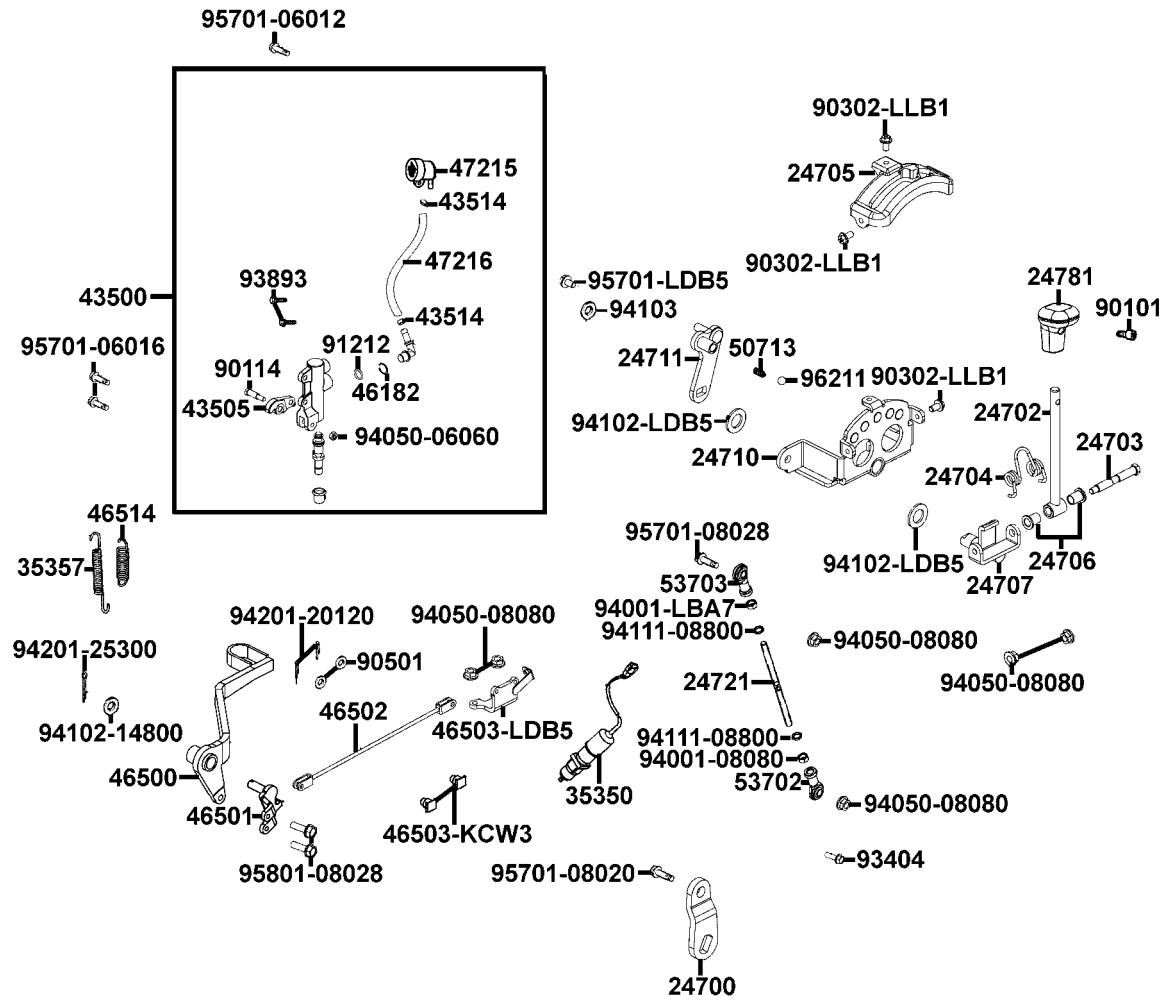


販賣記號 Sales mark	項目 Ref no	零件號碼 Part no	版數 Ver	英文名稱 Description	中文名稱 Chinese	需要用量 Regd no	建議售價 Ref Price
		11203-LDB5-E00	3	BUSH MUFFLER STAY	襯套	2	
		18291-LBA2-E00	3	GASKET EXH PIPE	排氣管墊圈	1	
		1830A-LDB5-E00	7	MUFFLER ASSY EXH	排氣管	1	
		18317-LDB5-E00	3	PROTECTOR A COMP MUFFLER	護熱蓋 A	1	
		18318-LDB5-E00	2	PROTECTOR B COMP MUFFLER	護熱蓋 B	1	
		18320-LDB5-E00	1	PIPE EXHAUST	排氣管前段	1	
		18325-LDB5-E00	3	PROTECTOR PIPE EXHAUST	排氣管護蓋	1	
		18328-LDB5-E00	2	SPARK ARRESTOR	火花捕捉器	1	
		18371-LBA2-E00	2	BAND MUFFLER	束環	1	
		18391-LBA2-E00	1	GASKET	墊片	1	
		94001-08080-0S	0	NUT HEX 8MM	螺帽 8MM	2	
		94101-06200	0	WASHER PLAIN 6MM	華司 6MM	16	
		94101-06700	0	WASHER PLAIN 6MM	華司 6MM	1	
		94101-LBA2-E00	1	WASHER PLATE 10.5*38*3.0	華司10.5*38*10.0	2	
		94111-06800	0	WASHER SPG 6MM	華司 6MM	8	
		95701-06008-08	0	BOLT FLANGE 6*8	螺絲 6*8	1	
		95701-06012-00	0	BOLT FLANGE 6*12	螺絲 6*12	8	
		95801-10035-08	0	BOLT FLANGE 10*35	螺絲 10*35	2	
		96001-06012-00	0	BOLT FLANGE SH 6*12	螺絲 6*12	3	

販賣記號 Sales mark	項目 Ref no	零件號碼 Part no	版數 Ver	英文名稱 Description	中文名稱 Chinese	需要用量 Regd no	建議售價 Ref Price
		24700-LDB5-E00	1	GEAR CHANGE HNDL LINK	換檔把手連接器	1	
		24702-LDB5-E00	4	BAR SHIFT LEVER	換檔把手橫條	1	
		24703-LDB5-E00	5	BOLT SHIFT LEVER	螺絲	1	
		24704-LBA7-900	4	SPRING CHANGE HNDL	換檔把手彈簧	1	
		24705-LDB5-E00	3	STAY SHIFT LEVER GUIDE	支架	1	
		24706-LDB5-E00	1	COLLAR SHIFT LEVER	套筒	2	
		24707-LDB5-E00	6	BRKT SHIFT LEVER	托架	1	
		24710-LDB5-E00	2	STAY SHIFTER	把手座	1	
		24711-LDB5-E00	3	SHAFT UPPER SHIFT GUIDE	桿軸	1	
		24721-LDB5-E00	1	ROD SHIFT	換檔把手連桿	1	
		24781-LCA5-E00	2	COVER CHANGE HNDL	換檔把手蓋	1	
		35350-PWA2-900	1	REAR STOP SW	煞車燈後置開關	1	
		35357-LDB5-E00	3	SPG STOP SW	停止開關彈簧	1	
		43500-LDB5-M30	1	MASTER CYLINDER ASSY RR	後煞車主油缸組	1	
		43505-LDB5-E00	0	PUSH ROD COMP	托架	1	
		43514-4E45-77A	0	CLAMP M/C OIL HOSE	煞車油管夾	2	
		46182-5L00-014	2	CIR CLIP	夾環	1	
		46500-LDB5-E00	3	PEDAL COMP RR BRAKE	後煞車踏板	1	
		46501-LDB5-E00	4	BRKT PEDAL	托架	1	
		46502-LDB5-E00	2	ROD RR BRK	連桿	1	

F15

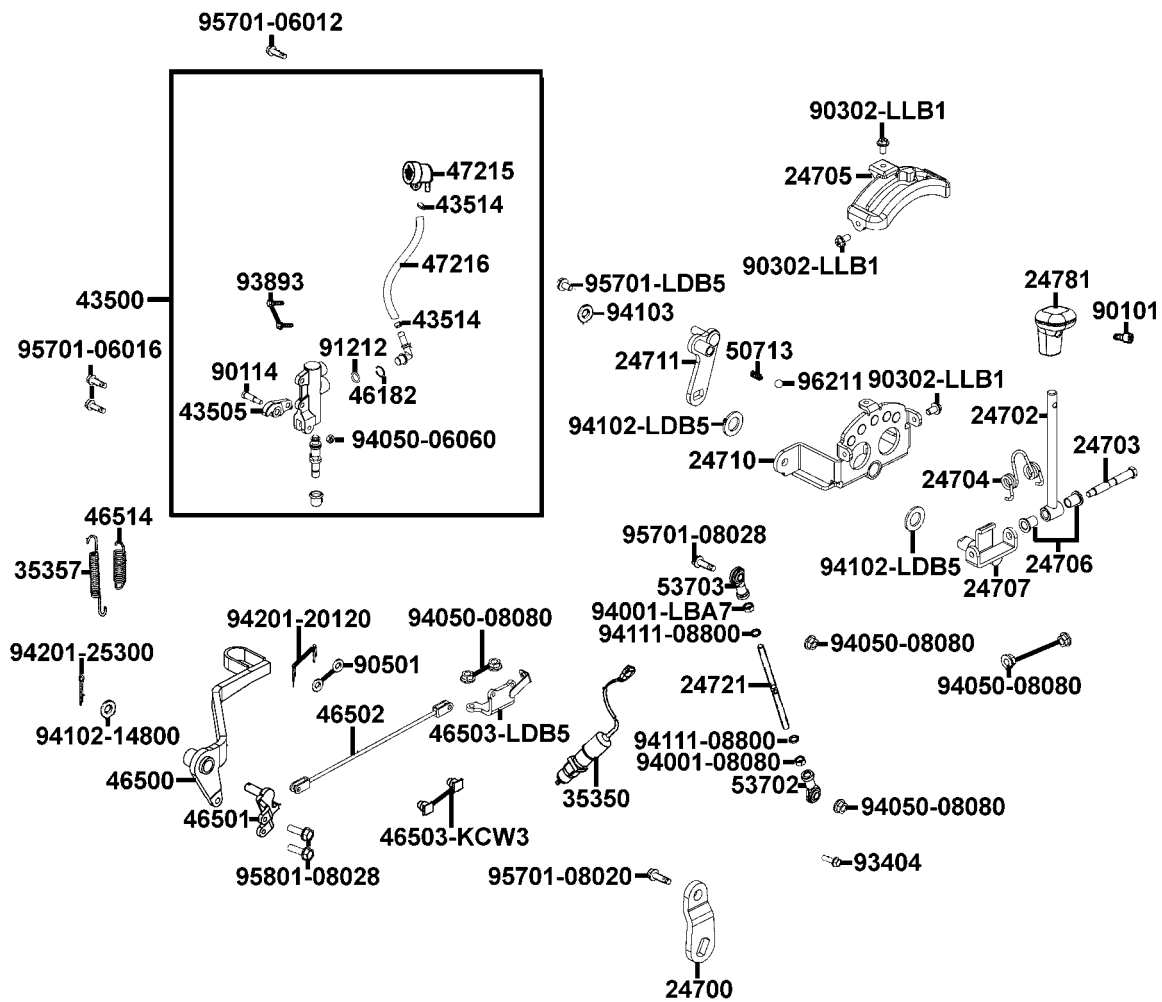
Master Cylinder Rear



販賣記號 Sales mark	項目 Ref no	零件號碼 Part no	版數 Ver	英文名稱 Description	中文名稱 Chinese	需要用量 Regd no	建議售價 Ref Price
		46503-KCW3-001	0	PIN COMP BRK ROD	煞車踏板支柱	2	
		46503-LDB5-E00	2	BRKT RR M/C	主缸拖架	1	
		46514-LDB5-E00	2	SPG BRK ARM	彈簧	1	
		47215-KHD6-900	0	OIL CUP	油杯	1	
		47216-LDB5-E00	0	HOSE	油管	1	
		50713-LDB5-E00	0	SPRING	彈簧	1	
		53702-LBA7-900	1	JOINT R BALL	排檔連動桿右接頭	1	
		53703-LBA7-900	1	JOINT L BALL	排檔連動桿左接頭	1	
		90101-LCA5-E00-06	2	SOCKET BOLT 5*12	螺絲 5*12	1	
		90114-1F66-007	2	BOLT HANDLE LEVER	螺絲	1	
		90302-GBR2-001	1	BOLT WASHER 5*16	螺絲 5*16	1	
		90302-LLB1-E00-06	2	BOLT-WASHER 5*12	螺絲 5*12	3	
		90501-3L10-001	0	WASHER 7*12	墊圈 7*12	2	
		91212-4B22-007	0	O-RING 14.8*2.4	O環	1	
		93404-06016-06	0	BOLT WASHER 6*16	螺絲 6*16	1	
		93893-04012-17	0	SCREW WASHER 4*12	螺絲 4*12	2	
		94001-08080-0S	0	NUT HEX 8MM	螺帽 8MM	1	
		94001-LBA7-900	1	NUT HEX LH 8MM	左牙螺帽 8MM	1	
		94050-06060	0	NUT FLANGE 6MM	螺帽 6MM	1	
		94050-08080	0	NUT FLANGE 8MM	螺帽 8MM	6	

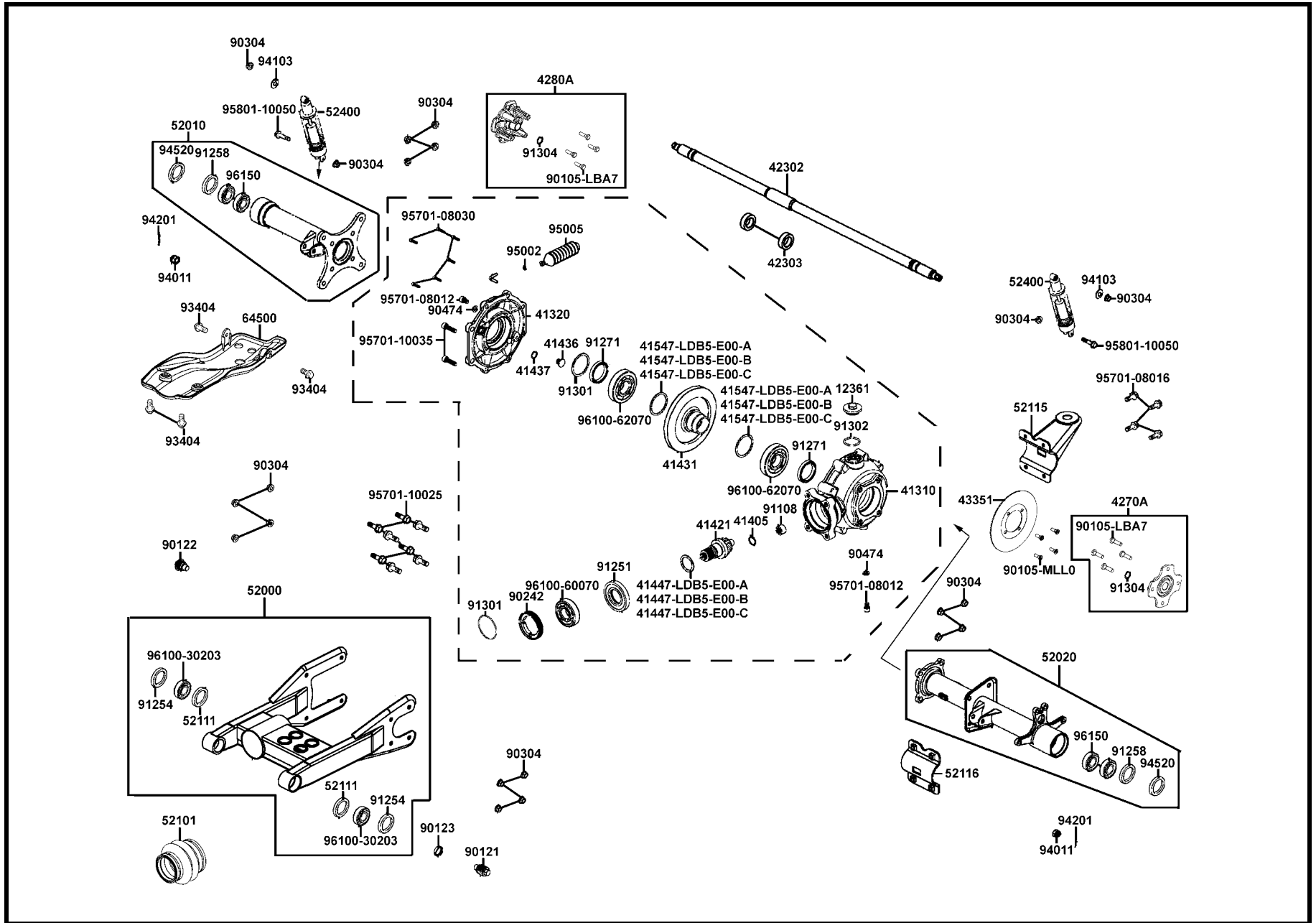
F15

Master Cylinder Rear



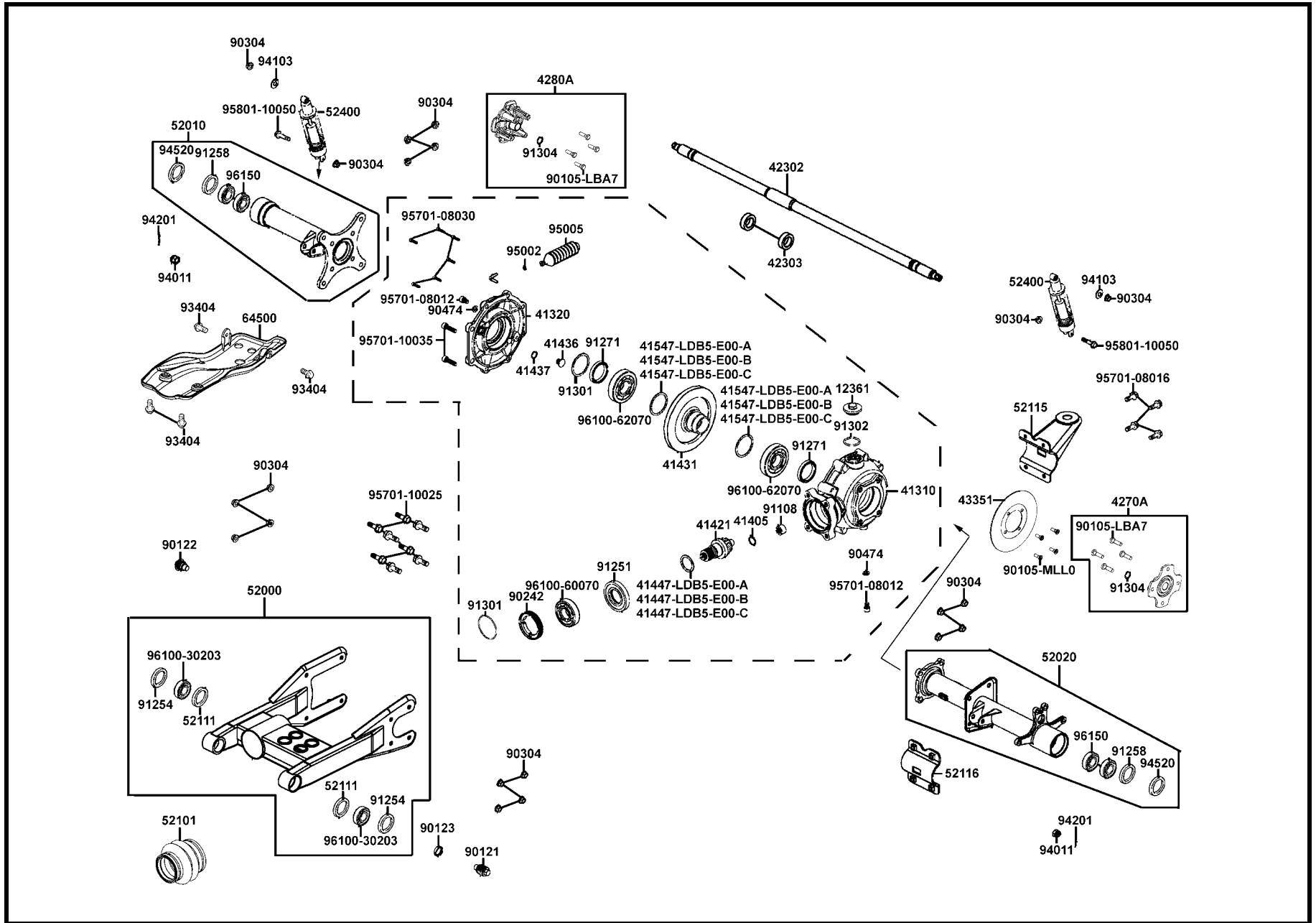
販賣記號 Sales mark	項目 Ref no	零件號碼 Part no	版數 Ver	英文名稱 Description	中文名稱 Chinese	需要用量 Regd no	建議售價 Ref Price
		94102-14800	0	WASHER PLAIN 14MM	華司 14MM	2	
		94102-LDB5-E00	1	WASHER PLAIN 14MM	華司 14MM	2	
		94103-06800	0	WASHER PLAIN 6MM	華司 6MM	1	
		94111-08800	0	WASHER SPRING 8MM	華司 8MM	2	
		94201-20120	0	PIN SPLIT 2*12	插銷 2*12	2	
		94201-25300	0	PIN SPLIT 2.5*30	插銷 2.5*30	1	
		95701-LDB5-E00	1	BOLT FLANGE 6*16	螺絲 6*16	1	
		95701-06012-06	1	BLOT FLANGE 6*12	螺絲 6*12	1	
		95701-06016-06	0	BOLT FLANGE 6*16	螺絲 6*16	2	
		95701-08020-06	1	BOLT FLANGE 8*20	螺絲 8*20	1	
		95701-08028-06	1	BOLT FLANGE 8*28	螺絲 8*28	1	
		95801-08028-06	0	BOLT FLANGE 8*28	螺絲 8*28	2	
		96211-08000	0	BALL STEEL 8	鋼珠8MM	1	

F16 Rr Cushion Gear Assy Rr Final



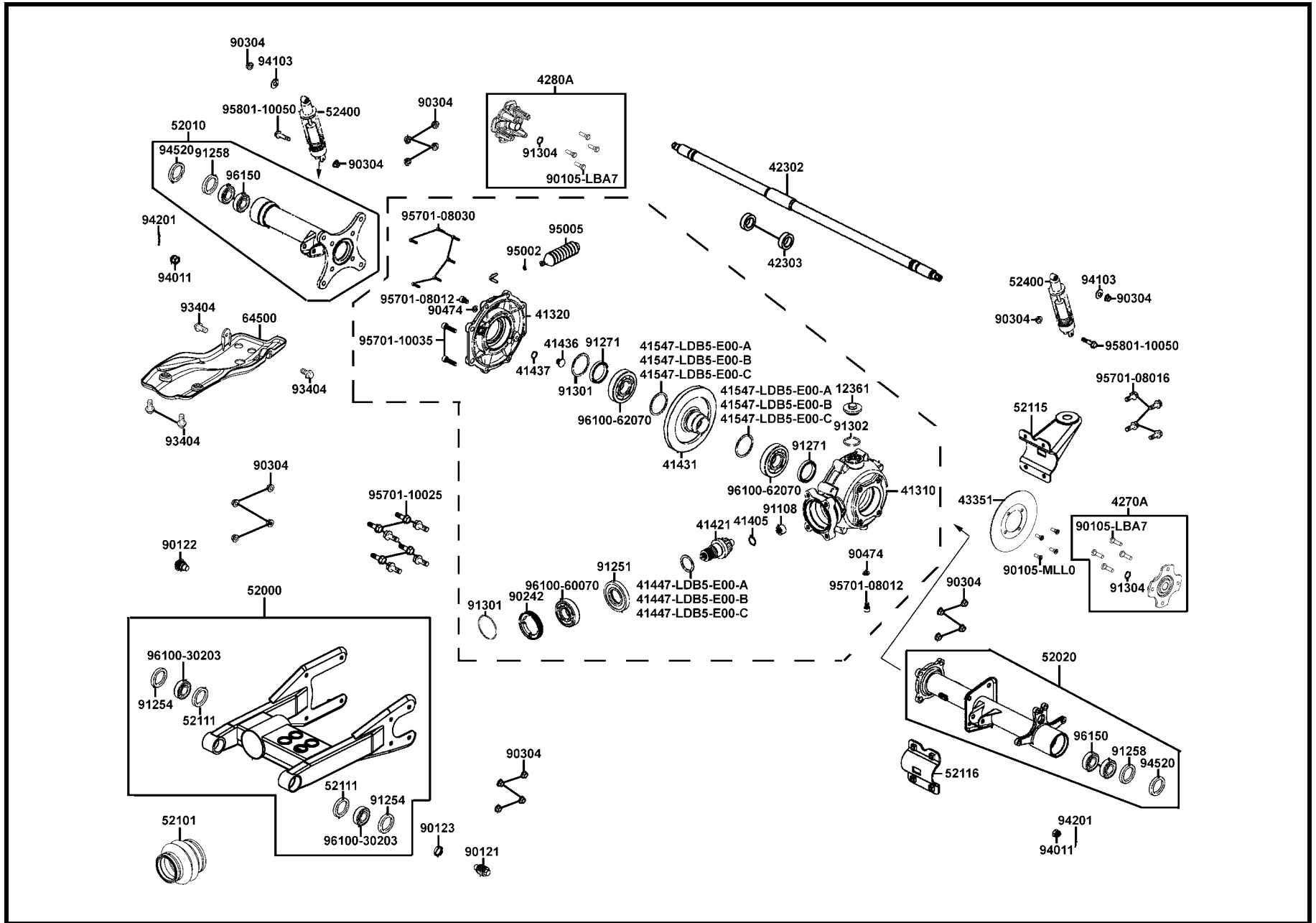
販賣記號 Sales mark	項目 Ref no	零件號碼 Part no	版數 Ver	英文名稱 Description	中文名稱 Chinese	需要用量 Regd no	建議售價 Ref Price
		12361-GFY6-901	1	HOLE CAP TAPPET ADJUSTING	箱蓋	1	
		41310-LDB5-E00	2	L SIDE CASE RR FINAL	左側箱蓋	1	
		41320-LDB5-E00	2	R SIDE CASE RR FINAL	右側箱蓋	1	
		41405-LDB5-E00	1	RING STOPPER	墊片	1	
		41421-LDB5-E00	2	GEAR PINION	齒輪	1	
		41431-LDB5-E00	2	GEAR RING	齒輪	1	
		41436-LCD9-E00	2	PIN RING GEAR STOPPER	插銷	1	
		41437-LCD9-E00	2	SHIM STOPPER PIN	墊片	1	
		41447-LDB5-E00-A	2	SHIM PINION GEAR A	調整墊片A	1	
		41447-LDB5-E00-B	2	SHIM PINION GEAR B	調整墊片B	1	
		41447-LDB5-E00-C	2	SHIM PINION GEAR C	調整墊片C	1	
		41547-LDB5-E00-A	2	SHIM RING GEAR A	調整墊片A	2	
		41547-LDB5-E00-B	2	SHIM RING GEAR B	調整墊片B	2	
		41547-LDB5-E00-C	2	SHIM RING GEAR C	調整墊片C	2	
		42302-LDB5-E00	4	SHAFT ASSY RR SHAFT	後軸	1	
		42303-LDB5-E00	2	STOPPER RR SHAFT	後軸制動環	2	
		4270A-LDB5-E00	5	HUB ASSY RR WHEEL L	左後輪轂連接器組	1	
		4280A-LDB5-E00	4	HUB ASSY RR WHEEL R	右後輪轂連接器組	1	
		43351-LDB5-E00	2	DISK RR BRK	後煞車圓碟轂	1	
		52000-LDB5-E00	8	FORK ASSY RR	後叉組	1	

F16 Rr Cushion Gear Assy Rr Final



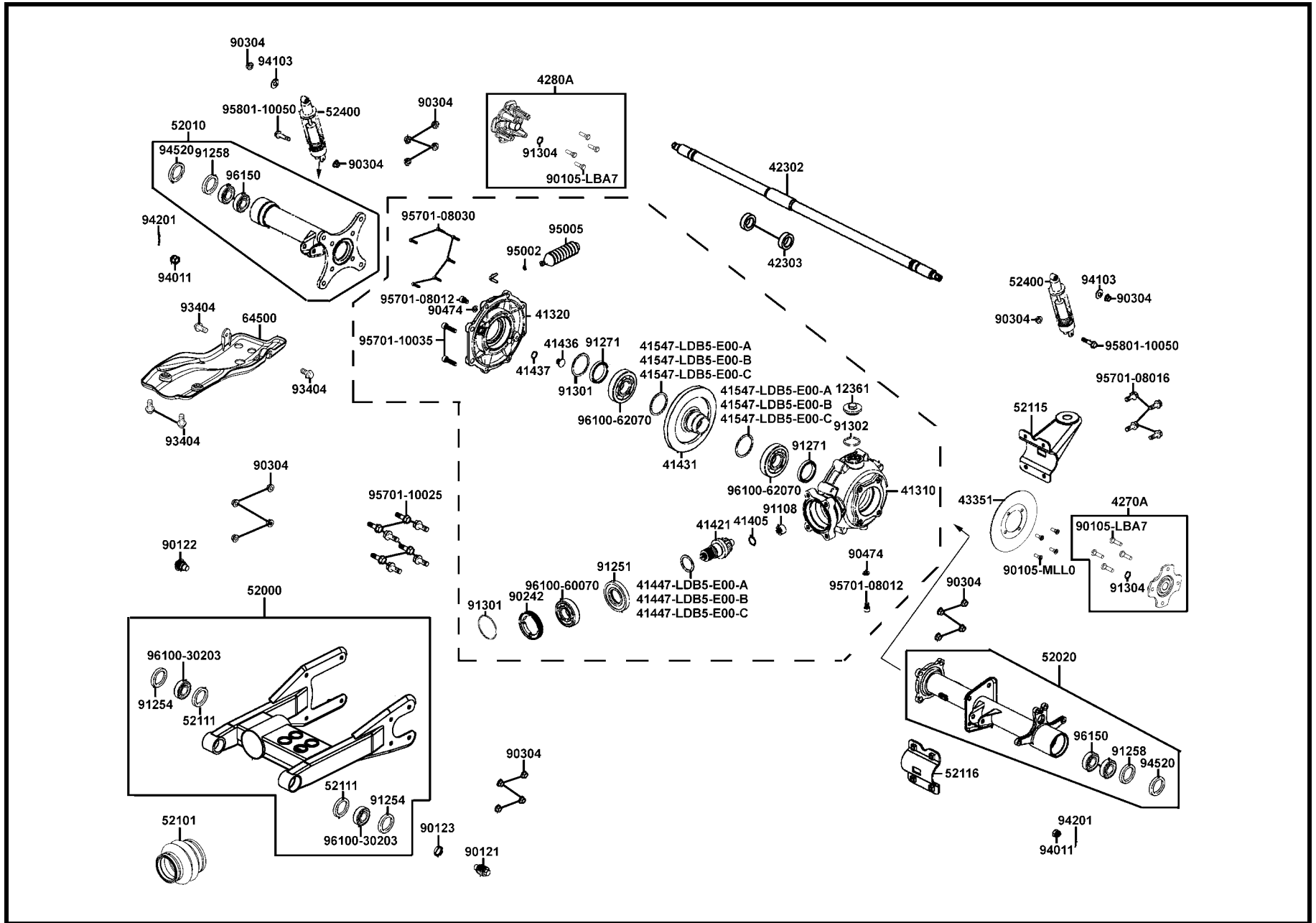
販賣記號 Sales mark	項目 Ref no	零件號碼 Part no	版數 Ver	英文名稱 Description	中文名稱 Chinese	需要用量 Regd no	建議售價 Ref Price
		52010-LDB5-E00	3	PIPE ASSY R HOUSING	右管套	1	
		52020-LDB5-E00	5	PIPE ASSY L HOUSING	左管套	1	
		52101-LDB5-E00	3	BOOT REAR PROPELLER SHAFT	後叉保護蓋	1	
		52111-LDE9-E00	2	HOLDER GREASE	黃油擋板	2	
		52115-LDB5-E00	2	TRAILER SWING ARM	托車鉤	1	
		52116-LDB5-E00	1	HOLDER TRAILER	托車鉤固定蓋	1	
**		52400-LDB5-E00	4	CUSHION ASSY RR	後叉	2	
**		64500-LDB5-E00	3	GUARD BOOT	防塵護蓋	1	
		90105-LBA7-900	1	BOLT CONNECTOR	螺絲	8	
		90105-MLL0-731	1	BOLT RR DISK 8*24	螺絲 8*24	4	
		90121-LCD9-E00	5	BOLT SWING ARM PIVOT	螺絲	1	
		90122-LCD9-E00	4	BOLT SWING ARM PIVOT	螺絲	1	
		90123-LCD9-E00	2	FORK PIVOT NUT LOCK	後叉鎖付螺帽	1	
		90242-LDB5-E00	2	NUT LOCK 74MM	螺帽 74MM	1	
		90304-GHE8-004-SW	0	NUT U 10MM	螺帽 10MM	20	
		90474-3C33-001	1	WASHER 8MM	墊圈 8MM	2	
		91108-LDB5-E00	1	BRG NEEDLE 16*22*12	軸承 16*22*12	1	
		91251-LDB5-E00	2	OIL SEAL 35*80*10	油封 35*80*10	1	
		91254-LDE9-E00	0	DUST SEAL 26*40*5	塵封	2	
		91258-LDB5-E00	2	SEAL DUST HUB 38*55*7	油封 38*55*7	2	

F16 Rr Cushion Gear Assy Rr Final



販賣記號 Sales mark	項目 Ref no	零件號碼 Part no	版數 Ver	英文名稱 Description	中文名稱 Chinese	需要用量 Regd no	建議售價 Ref Price
		91271-LDB5-E00	1	OIL SEAL 35*50*7	油封 35*50*7	2	
		91301-LCD9-E00	1	O-RING 74.4*3.1	O環 74.4*3.1	2	
		91302-0A01-021	0	O-RING 30.8MM	O環 30.8	1	
		91304-KGBG-900	1	O-RING 20.6*2.0	O環 20.6*2.0	2	
		93404-06016-06	0	BOLT WASHER 6*16	螺絲 6*16	4	
		94011-LBA7-900	1	NUT FLANGE CASTLE 16 MM	螺帽 16MM	2	
		94103-10800	0	WASHER PLAIN 10MM	墊圈 10MM	2	
		94201-30300	0	PIN SPLIT 3*30	插銷 3*30	2	
		94520-55000	0	CIR CLIP IN 55	環夾	2	
		95002-41050-00	0	CLIP D10.5 TUBE	管夾	1	
		95005-LCD9-E00	2	BREATHER TUBE RR GEAR ASSY	通氣管	1	
		95701-08012-08	0	BOLT FLANGE 8*12	螺絲 8*12	2	
		95701-08016-06	0	BOLT FLANGE 8*16	螺絲 8*16	4	
		95701-08030-08	0	BOLT FLANGE 8*30	螺絲 8*30	6	
		95701-10035-08	0	BOLT FLANGE 10*35	螺絲 10*35	2	
		95701-10025-08	0	BOLT FLANGE 10*25	螺絲 10*25	8	
		95801-10050-06	1	BOLT FLANGE 10*50	螺絲 10*50	2	
		96100-30203-10	0	BEARING BALL RADIAL	軸承	2	
		96100-60070-00	0	BRG RADIAL BALL 6007	軸承	1	
		96100-62070-00	0	BRG RADIAL BALL 6207	軸承	2	

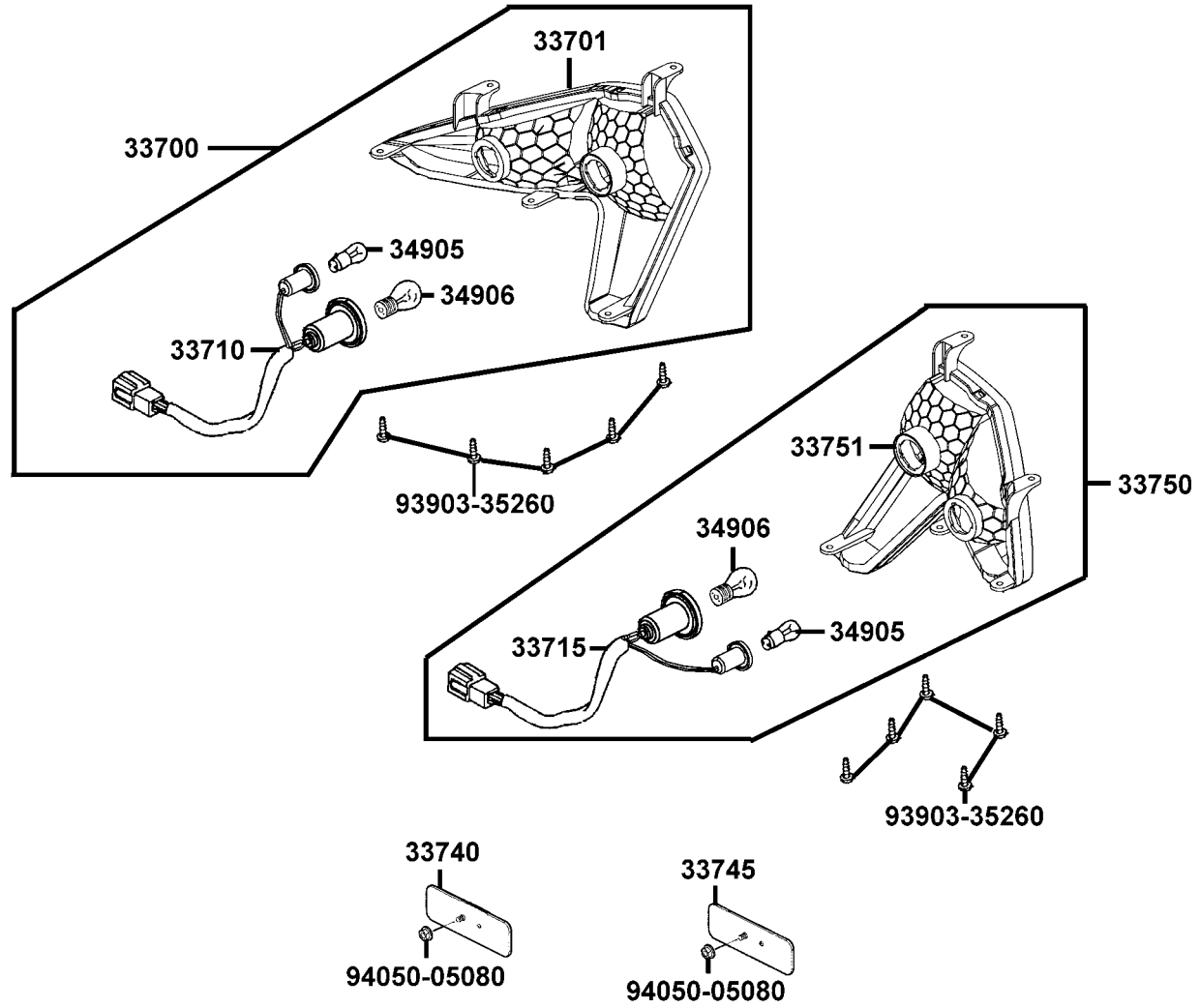
F16 Rr Cushion Gear Assy Rr Final



販賣記號 Sales mark	項目 Ref no	零件號碼 Part no	版數 Ver	英文名稱 Description	中文名稱 Chinese	需要用量 Regd no	建議售價 Ref Price
		96150-60060-10	0	BEARING BALL RADIAL 6006	軸承	4	

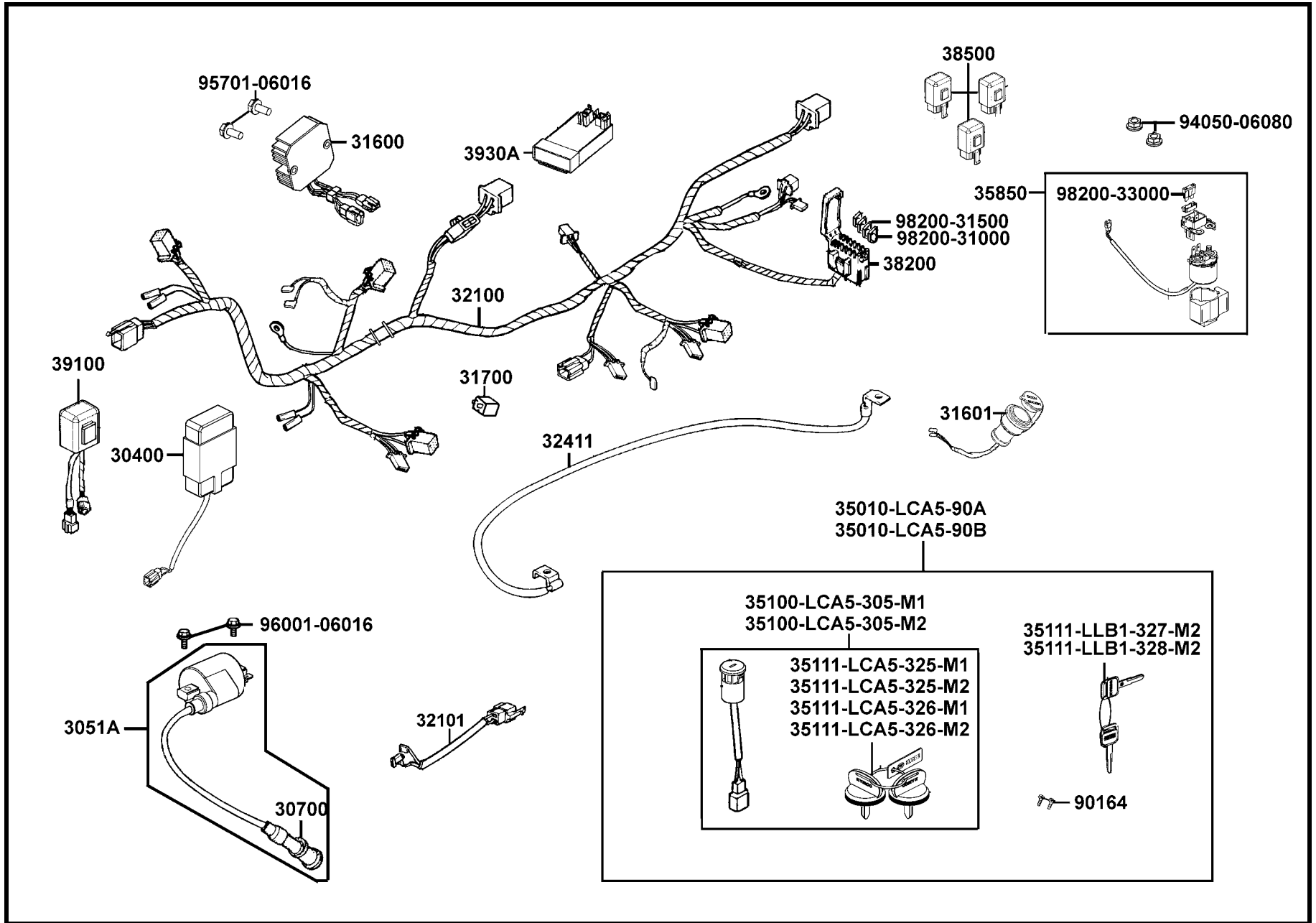
F16

F17 Light Tail



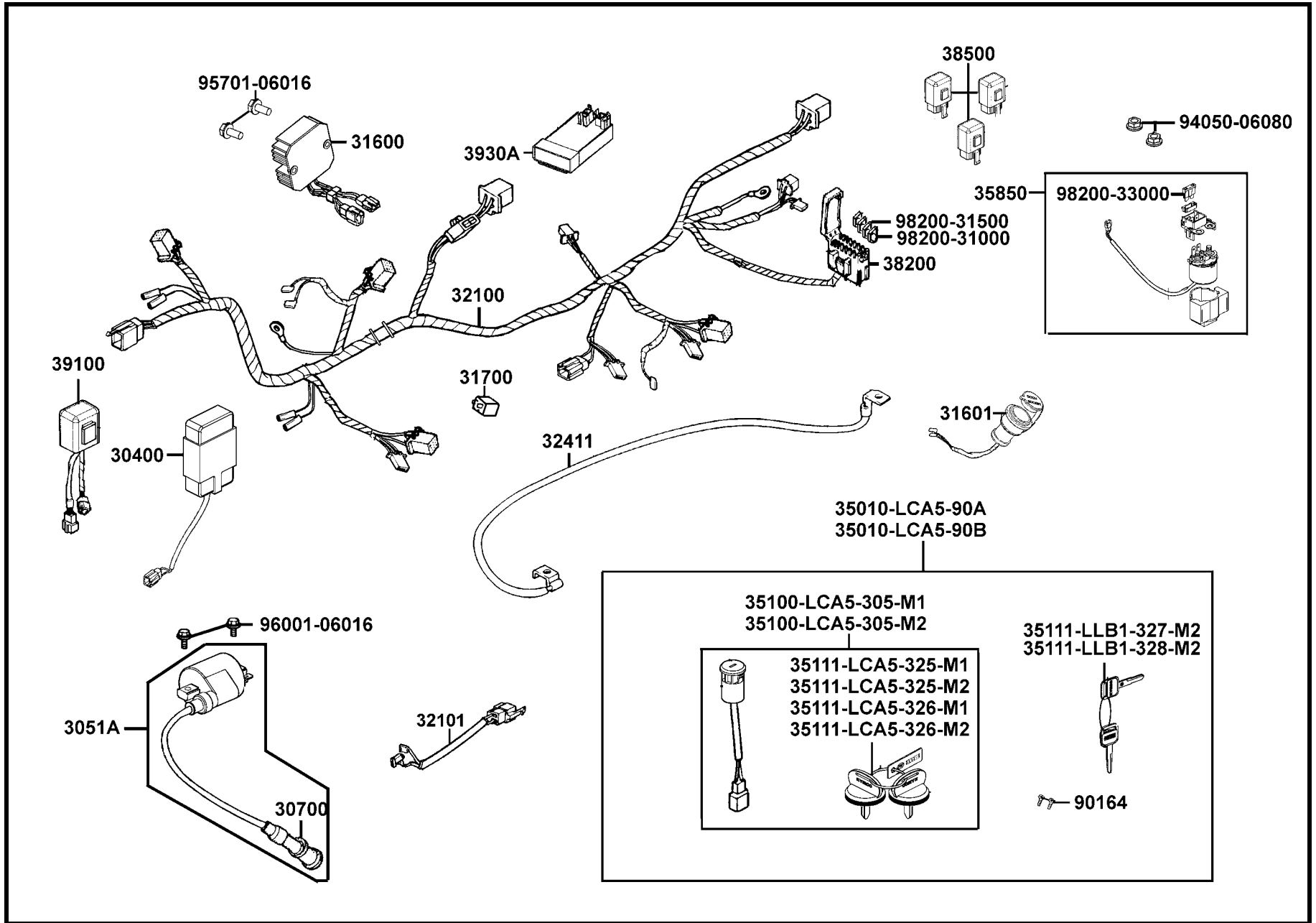
販賣記號 Sales mark	項目 Ref no	零件號碼 Part no	版數 Ver	英文名稱 Description	中文名稱 Chinese	需要用量 Regd no	建議售價 Ref Price
		33700-LCA5-900	1	LIGHT ASSY R RR COMB	右後燈組	1	
		33701-LCA5-900	0	UNIT TAIL LIGHT R	右後燈殼	1	
		33710-LCA5-900	2	SOCKET COMP R RR COMB	右後燈配線	1	
		33715-LCA5-900	0	SOCKET COMP L RR COMB	左後燈配線	1	
		33740-LCA5-E00	1	REFLECTOR ASSY R RR	右後反射片組	1	
		33745-LCA5-E00	1	REFLECTOR ASSY L RR	左後反射片組	1	
		33750-LCA5-900	1	LIGHT ASSY L RR COMB	左後燈組	1	
		33751-LCA5-900	0	UNIT TAIL LIGHT L	左後燈殼	1	
		34905-LCA5-900	0	BULB POSITION 12V5W	燈泡	2	
		34906-KPCP-900	0	BULB TAIL & STOP	後燈燈泡	2	
		93903-35260	0	SCREW TAPPING 5*12	螺釘 5*12	10	
		94050-05080	0	NUT FLANGE 5MM	螺帽	2	

F18 Harness Wire



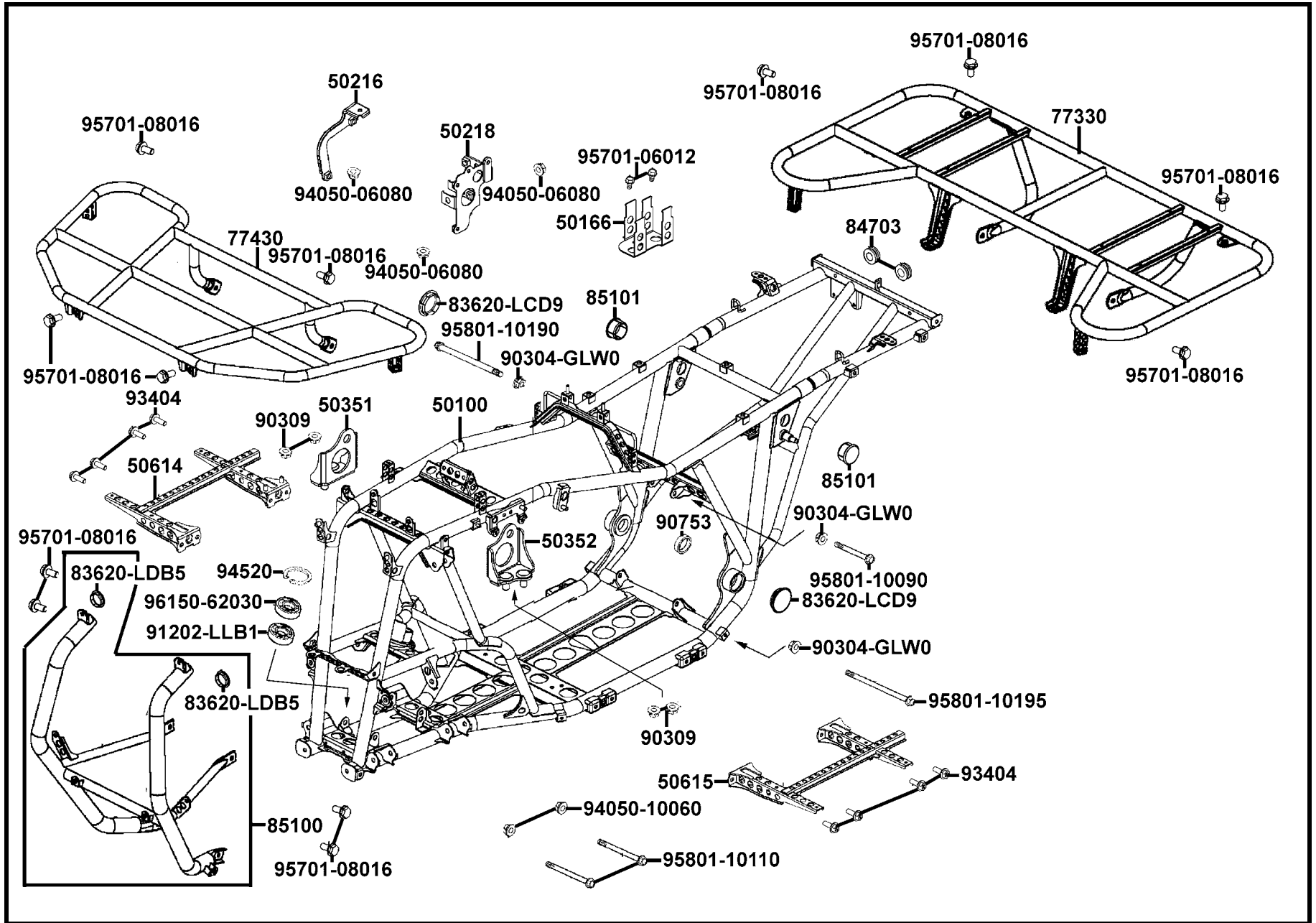
販賣記號 Sales mark	項目 Ref no	零件號碼 Part no	版數 Ver	英文名稱 Description	中文名稱 Chinese	需要用量 Regd no	建議售價 Ref Price
		30400-LDB5-E00	3	UNIT ASSY IGNITION	電子點火系統	1	
		3051A-LDB5-E00	3	COIL ASSY IGNITION	點火線圈	1	
		30700-LDB5-E00	2	CAP ASSY NOISE SUPPRESOR	火星塞蓋	1	
		31600-LDB5-E00	5	REG REC COMP	整流器	1	
		31601-LDB5-E00	1	SOCKET COMP DC 12V	充電座	1	
		31700-KEC8-E00	0	RECTIFIER COMP DIODE	二極整流器	1	
		32100-LDB5-M00	0	HARNESS WIRE	主配線	1	
		32101-LLB1-800	1	SUB CORD	配線	1	
		32411-LDB5-E00	2	CABLE BAT	電瓶導線	1	
		35010-LCA5-90A	0	KEY SET	開關組	1	
		35010-LCA5-90B	0	KEY SET	開關組	1	
		35100-LCA5-305-M1	0	SW ASSY COMB	主開關	1	
		35100-LCA5-305-M2	0	SW ASSY COMB	主開關	1	
		35111-LCA5-325-M1	0	KEY COMP(FOR SERVICE)	鎖匙右切	1	
		35111-LCA5-325-M2	0	KEY COMP(FOR SERVICE)	鎖匙右切	1	
		35111-LCA5-326-M1	0	KEY COMP(FOR SERVICE)	鎖匙左切	1	
		35111-LCA5-326-M2	0	KEY COMP(FOR SERVICE)	鎖匙左切	1	
		35111-LLB1-327-M2	0	KEY COMP(FOR SERVICE)	鎖匙右切	1	
		35111-LLB1-328-M2	0	KEY COMP(FOR SERVICE)	鎖匙左切	1	
		35850-LDB5-E00	1	SET START MAG	起動開關組	1	

F18 Harness Wire



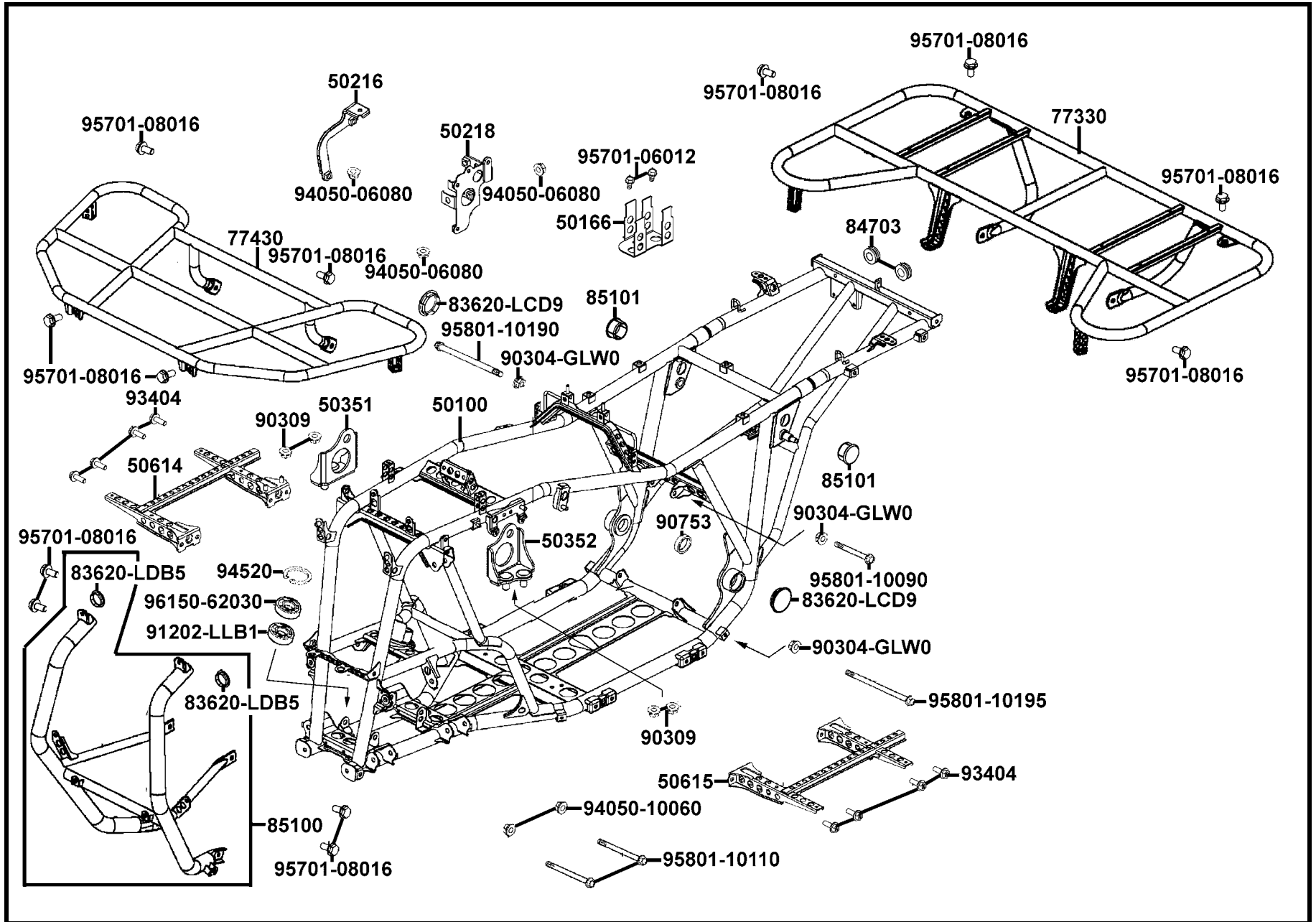
販賣記號 Sales mark	項目 Ref no	零件號碼 Part no	版數 Ver	英文名稱 Description	中文名稱 Chinese	需要用量 Regd no	建議售價 Ref Price
		38200-KEBE-900	0	BOX COMP FUSE	保險絲盒	1	
		38500-KHD8-900	0	RELAY ASSY LIGHT	起動繼電器	3	
		39100-LBA7-E00	1	EMI FILTER FAN MOTOR	風扇馬達濾清器	1	
		3930A-LDB5-E00	2	CONTROL ASSY 2WD/4WD CHANGE	驅動轉換器組	1	
		90164-0H28-900	1	SCREW FLAT U LOCK 6*12	特殊螺絲	2	
		94050-06080	0	NUT FLANGE 6MM	螺帽 6MM	2	
		95701-06016-06	0	BOLT FLANGE 6*16	螺絲 6*16	2	
		96001-06016-08	0	BOLT FLANGE SH 6*16	螺絲 6*16	2	
		98200-31000	1	BLADE FUSE 10A	保險絲	1	
		98200-31500	0	BLADE FUSE 15A	保險絲	3	
		98200-33000	0	BLADE FUSE 30A	保險絲	1	

F19 Frame Body



販賣記號 Sales mark	項目 Ref no	零件號碼 Part no	版數 Ver	英文名稱 Description	中文名稱 Chinese	需要用量 Regd no	建議售價 Ref Price
		50100-LDB5-900	1	BODY COMP FRAME	車架	1	
		50166-LDB5-E00	1	STAY START MAG SW	主開關托架	1	
		50216-LDB5-E00	1	STAY CATCH TANK	支架	1	
		50218-LDB5-900	0	STAY ELE SET	支架	1	
		50351-LDB5-E00	5	HANGER R ENGINE	右引擎懸吊托架	1	
		50352-LDB5-E00	5	HANGER L ENGINE	左引擎懸吊托架	1	
		50614-LDB5-E00	8	STAY R FLOOR PANEL	右踏板支架	1	
		50615-LDB5-E00	8	STAY L FLOOR PANEL	左踏板支架	1	
**		77330-LDB5-E00	4	REAR CARRIER LUGGAGE	後載物架	1	
**		77430-LDB5-E00	2	FRONT CARRIER LUGGAGE	前載物架	1	
		83620-LCD9-E00	4	CAP PIPE	管蓋	2	
		83620-LDB5-E00	1	CAP PIPE	管蓋	2	
		84703-LLB1-900	1	RUBBER TAIL LIGHT	後燈橡皮	2	
**		85100-LDB5-E00	4	PIPE COMP FR BUMPER	前保險桿	1	
		85101-LCA5-E00	2	CAP PIPE	管體蓋	2	
		90304-GLW0-90A	1	NUT U FLANGE 10MM	螺帽 10MM	3	
		90309-LBE8-900	1	U NUT 8MM	螺帽 8MM	4	
		90753-GDB4-68A	0	OIL SEAL 27*40*6	防塵封 27*40*6	1	
		91202-LLB1-900	1	OIL SEAL 22*35*7	油封 22*35*7	1	
		93404-06016-06	0	BOLT WASHER 6*16	螺絲 6*16	8	

F19 Frame Body



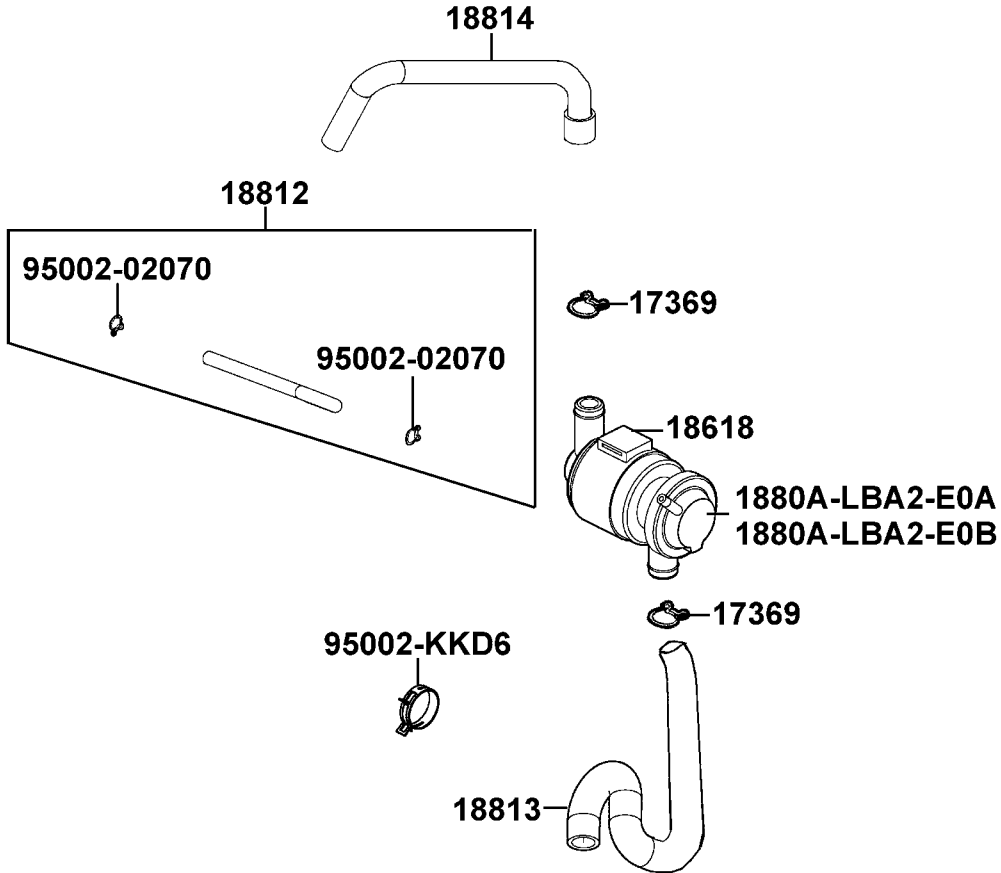
販賣記號 Sales mark	項目 Ref no	零件號碼 Part no	版數 Ver	英文名稱 Description	中文名稱 Chinese	需要用量 Regd no	建議售價 Ref Price
		94050-06080	0	NUT FLANGE 6MM	螺絲 6MM	3	
		94050-10060	0	NUT FLANGE 10MM	螺帽 10MM	2	
		94520-40000	0	CIR CLIP IN 40	內環夾	1	
		95701-06012-06	1	BOLT FLANGE 6*12	螺絲 6*12	2	
		95701-08016-06	0	BOLT FLANGE 8*16	螺絲 8*16	12	
		95801-10110-06	0	BOLT FLANGE 10*110	螺絲 10*110	2	
		95801-10090-06	0	BOLT FLANGE 10*90	螺絲 10*90	1	
		95801-10190-06	0	BOLT FLANGE 10*190	螺絲 10*190	1	
		95801-10195-06	0	BOLT FLANGE 10*195	螺絲 10*195	1	
		96150-62030-10	0	BEARING BALL RADIAL 6203	軸承 6203	1	

販賣記號 Sales mark	項目 Ref no	零件號碼 Part no	版數 Ver	英文名稱 Description	中文名稱 Chinese	需要用量 Regd no	建議售價 Ref Price
		11344-LDB5-E00	4	DUCT B L COVER	左側蓋導風口	1	
		11345-LDB5-E00	2	DUCT A L COVER	右邊蓋導管 A	1	
		11346-LDB5-E00	2	BAND 56*96 FRONT CVT	導管束帶	1	
		11350-LDB5-E00	3	ELEMENT DUCT A L COVER	濾紙	1	
		19005-LDB5-E00	2	SHROUD ASSY	冷卻風扇馬達組	1	
		19010-LDB5-E00	2	RADIATOR COMP	水箱	1	
		19012-KHD8-900	4	UNIT RADIATOR	水箱蓋組	1	
		19015-LBA2-E00	0	SHROUD COMP	風扇覆環	1	
		19020-LBA2-E00	0	FAN COOLING	風扇	1	
		19030-LDB5-E00	2	MOTOR ASSY FAN	風扇馬達組	1	
		19101-LDB5-E00	4	TANK RESERVE	預備水箱	1	
**		19102-LDB5-E00	1	DUCT COOLING AIR	冷卻空氣導管	1	
		19104-LDB5-E00	1	HOSE ASSY DRAIN	溢流管	1	
		19105-LDB5-E00	2	HOSE ASSY RESERVE TANK-PRESSURE VALVE	水管	1	
		19111-GBE2-004	1	CAP COMP	水箱蓋	1	
		19210-KKC4-900	0	CAP RESERVE TANK	儲備水箱蓋	1	
		19505-LBA2-E00	4	CLAMP WATER HOSE	水管夾	2	
		19505-LDB5-E00	3	HOSE WATER F ENG-RADIATOR	水管	1	
		19506-LDB5-E00	1	HOSE WATER G RADIATOR-PRESSURE VALVE	水管 G	1	
		37760-KHD8-900	0	SW ASSY THERMO	調溫開關組	1	

販賣記號 Sales mark	項目 Ref no	零件號碼 Part no	版數 Ver	英文名稱 Description	中文名稱 Chinese	需要用量 Regd no	建議售價 Ref Price
		38773-PKB9-001	0	JOINT 3 WAY 3.5	三向管接頭	1	
		61344-LDB5-E00	1	CHAMBER LC COVER DUCT	入口室	1	
		61345-LDB5-E00	3	CHAMBER L COVER DUCT	出口室	1	
		64317-LDB5-E00	5	STAY RADIATOR UPPER	水箱上支架	1	
		64318-LDB5-E00	1	STAY RADIATOR LOWER	油箱套筒	1	
		84703-LLB1-900	1	RUBBER TAIL LIGHT	後燈橡皮	2	
		90652-LCA4-E00	1	CLIP MUDGUARD	踏板架	1	
		90652-LDB5-E00	3	BAND 67 FRONT CVT DUCT	管夾	1	
		90653-LDB5-E00	3	BAND 81 REAR CVT DUCT	管夾	2	
		90913-LDB5-E00	3	TUBE ASSY WATER PUMP-PRESSURE VALVE	水管	1	
		90914-LDB5-E00	3	TUBE ASSY WATER	水管組	1	
		93404-06012-06	0	BOLT WASHER 6*12	螺絲 6*12	7	
		93404-06016-06	0	BOLT WASHER 6*16	螺絲 6*16	12	
		95002-02070	0	CLIP B7 TUBE	管夾	5	
		95002-02100	0	CLIP B10 TUBE	管夾	1	
		95002-45000	0	CLIP C8 TUBE	管夾	1	
		95002-70000	0	CLIP C11 TUBE	管夾	2	
		95002-KHE7-900	0	CLIP WATER HOSE	水管夾	2	
		95701-06012-06	1	BOLT FLANGE 6*12	螺絲 6*12	1	

F21

Aicv

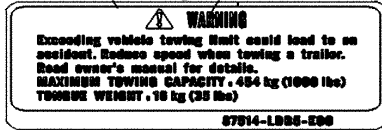


販賣記號 Sales mark	項目 Ref no	零件號碼 Part no	版數 Ver	英文名稱 Description	中文名稱 Chinese	需要用量 Regd no	建議售價 Ref Price
		17369-KDB4-671	0	CLIP BREATHER TUBE	管夾	2	
		18618-LLF5-90A	2	RUBBER AICV MOUNT	橡皮	1	
		1880A-LBA2-E0A	2	A/C-AICV ASSY	空氣噴射閥組	1	
		1880A-LBA2-E0B	2	A/C-AICV ASSY	空氣噴射閥組	1	
		18812-LDB5-E00	1	TUBE ASSY VACUUM	真空管組	1	
		18813-LDB5-E00	1	DUCT AICV-REED VALVE	通氣管	1	
		18814-LDB5-E00	1	DUCT AIR-AICV	通氣管	1	
		95002-02070	0	CLIP B7 TUBE	管夾	2	
		95002-KKD6-E05	0	CLAMP D18 TUBE	管夾	1	

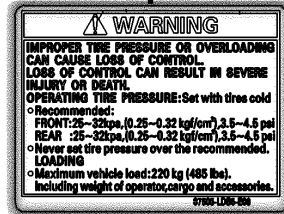
F22

Caution Label

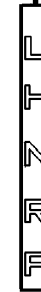
87514



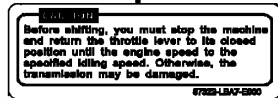
87505



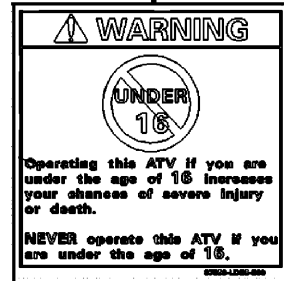
86302



87322



87517



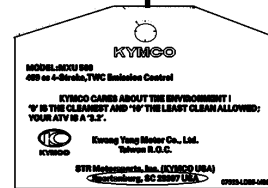
87556-LDB5-E01



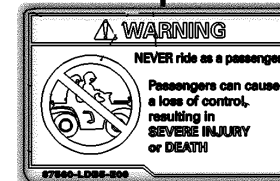
87520



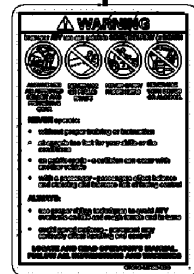
87522



87560



87515

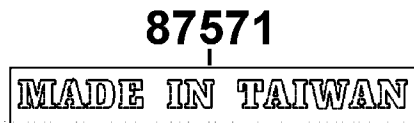
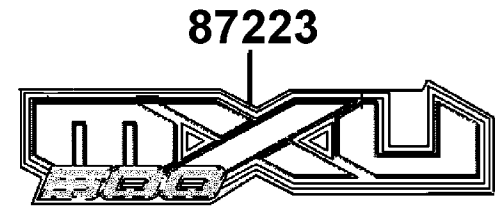
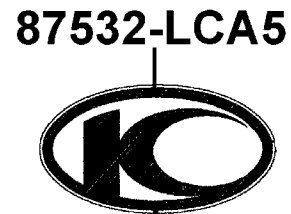
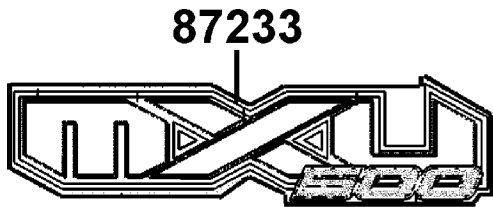
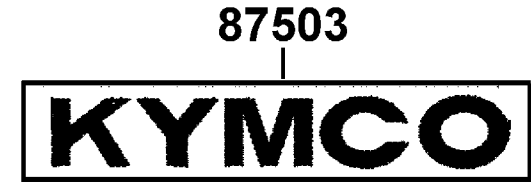
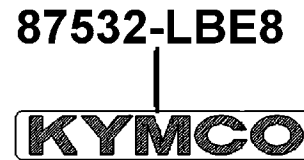
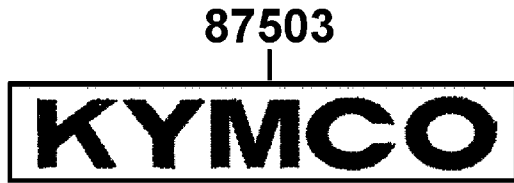
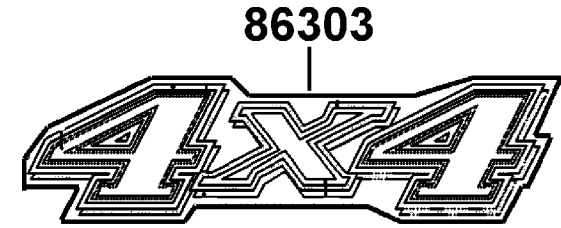
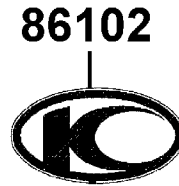
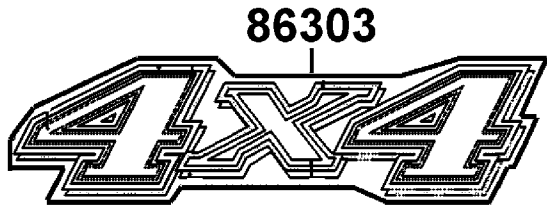


87556-LDB5-E00



販賣記號 Sales mark	項目 Ref no	零件號碼 Part no	版數 Ver	英文名稱 Description	中文名稱 Chinese	需要用量 Regd no	建議售價 Ref Price
**		86302-LDB5-E00	1	EMB GEAR REVEAL CHANGE	標籤	1	
**		87322-LBA7-E00	2	CAUTION SHIFT GEARS	標籤	1	
**		87505-LDB5-E00	1	LABEL TIRE ON ROAD	標籤	1	
**		87514-LDB5-E00	1	CAUTION MAXIMUM CAPACITY	標籤	1	
**		87515-LDB5-E00	1	DRIVE WARNING LIST-ON ROAD	標籤	1	
**		87517-LDB5-E00	2	CAUTION DRIVE AGE 16	標籤	1	
**		87556-LDB5-E00	1	WARNING CARRIER MAX LOAD(45KG)	標籤	2	
**		87520-LDB5-M30	2	USA EPA HANGTAG	標籤	1	
**		87522-LDB5-M30	3	CAUTION SHIFT HANGTAG	標籤	1	
**		87556-LDB5-E01	2	WARNING CARRIER MAX LOAD(85KG)	標籤	1	
**		87560-LDB5-E00	1	WARNING DOUBLE RIDER	標籤	1	

F23 Emblem Stripe



販賣記號 Sales mark	項目 Ref no	零件號碼 Part no	版數 Ver	英文名稱 Description	中文名稱 Chinese	需要用量 Regd no	建議售價 Ref Price
**		86102-LDB5-900	1	STRIPE K-LOGO 28.5MM	標誌	1	
**		86223-LDB5-E00	2	STRIPE R FUEL TANK	標誌	1	
**		86233-LDB5-E00	2	STRIPE L FUEL TANK	標誌	1	
**		86303-LDB5-E00	2	STRIPE 4*4	標籤	2	
**		87503-LDB5-900	2	STRIPE KYMCO 120MM	標誌	2	
**		87532-LBE8-900	2	STRIPE KYMCO	標誌	1	
**		87532-LCA5-900	1	STRIPE K-LOGO 60MM	標誌	1	
**		87571-LCA5-M30	1	LABEL MIT	標誌	1	



零件號碼索引
PARTS NO. INDEX

零件號碼索引

PART NO. INDEX

零件號碼 PART NO.	版數 VERSION	頁次 PAGE	零件號碼 PART NO.	版數 VERSION	頁次 PAGE	零件號碼 PART NO.	版數 VERSION	頁次 PAGE
0			11395-LDB5-E00	0	E01	1230-808-2001	0	E09
			11441-LDB5-900	2	E05	1230-842-2000	0	E09
			11451-LDB5-E00	4	E05	1230-922-7000	0	E09
0110-803-1100	0	E09	11495-LDB5-E00	2	E05	12310-LDB5-E00	1	E02
0301-800-2000	0	E09	11496-LDB5-E00	3	E01	12311-KBE2-900	4	E02
0301-803-2000	0	E09	1166-807-2200	0	E09	12361-GFY6-901	1	E01
0405-019-1000	0	E09	11700-LDB5-E00	2	E04	12361-GFY6-901	1	F16
0804-G38-0000	0	E09	11701-LDB5-E00	1	E04	12391-LBA2-E00	1	E02
0901-069-6000	0	E09	11702-LDB5-E00	2	E04	1290-874-2000	0	E09
			11703-LDB5-E00	2	E04	1290-875-2000	0	E09
			11704-LCA5-E00	1	E04	1290-945-2000	0	E09
10000			11706-LDB5-E00	1	E04	1290-A60-2000	0	E09
			11707-LDB5-E00	1	E04			
1029-811-7001	0	E09	11708-LCA5-E00	1	E04			
1029-853-7000	0	E09	1198-816-2000	0	E09	13000		
1030-905-2100	0	E09						
1034-868-2400	0	E09						
1050-A74-2100	0	E09	12000			1300-196-2001	0	E09
1052-829-2100	0	E09				1300A-LDB5-309	0	E03
1062-814-2101	0	E09				13011-LBA2-E0A	1	E03
			1201-809-2100	0	E09	13101-LBA2-E00	13	E03
			1201-869-2100	0	E09	13111-LBA2-E00	4	E03
			1202-855-6000	0	E09			
11000			12100-LDB5-E00	4	E03	14000		
			12103-LBA2-E00	1	E03			
1110A-LDB5-E00	0	E01	12191-LDB5-E00	2	E03	1402-828-2201	0	E09
1119A-LDB5-E00	4	E01	12205-KHE8-301	1	E02	1411A-LBA2-E00	9	E02
11203-LDB5-E00	3	F14	12205-KHE8-301	1	E04	1412A-LBA2-E00	8	E02
11330-LDB5-E00	5	E04	12206-LBA2-E00	2	E02	14153-LBA2-E00	3	E02
11341-LDB5-E00	3	E01	12208-LBA2-E00	3	E02	14154-LBA2-E00	1	E02
11344-LDB5-E00	4	F20	12209-GDB4-68A	0	E02	14321-KED9-900	5	E02
11345-LDB5-E00	2	F20	1220A-LDG7-900	2	E02	14321-LBA2-E00	2	E02
11346-LDB5-E00	2	F20	1220C-LBA2-E00	1	E02	14401-LBA2-E00	0	E03
11348-LDB5-E00	2	E04	12251-LBA2-E00	3	E03	14451-LBA2-E00	2	E02
11350-LDB5-E00	3	F20	1229-801-7000	0	E09	14510-LDB5-E00	5	E03
11394-LDB5-E00	2	E04	12303-LBA2-E00	3	E02			

零件號碼索引

PART NO. INDEX

零件號碼 PART NO.	版數 VERSION	頁次 PAGE	零件號碼 PART NO.	版數 VERSION	頁次 PAGE	零件號碼 PART NO.	版數 VERSION	頁次 PAGE
14520-LDB5-E00	2	E03	16075-KG8-9010-M1	0	E09	17700-LDB5-E00	2	F05
14523-KED9-900	0	E03	1610K-LDB5-900	0	E09	17705-LDB5-E00	2	F05
14531-KED9-900	4	E03	16911-LDB5-MY0	1	F10	17720-LBA7-900	1	F05
14546-LBA2-E00	4	E02	16912-LDB5-MY0	1	F10	17910-LDB5-E00	2	F03
14552-LBA2-E00	1	E02	1691A-GFY6-90A	3	F10	17950-LDB5-E00	3	F03
14610-LBA2-E00	5	E03	16950-LDB5-E00	1	F10	17957-LDB5-E00	2	F10
14611-LBA2-E00	3	E02	16951-LDB5-E00	2	F10			
14711-LDG7-900	1	E02	16952-LLB1-900	1	F10			
14721-LBA2-E00	1	E02				18000		
14751-LBA2-E00	1	E02						
14761-LDG7-900	1	E02	17000			18291-LBA2-E00	3	F14
14771-KED9-900	2	E02				1830A-LDB5-E00	7	F14
14777-LBA2-E00	2	E02	17104-LDB5-E00	1	E02	18317-LDB5-E00	3	F14
14781-MFA6-001	0	E02	17113-LBA2-E00	1	E02	18318-LDB5-E00	2	F14
			1711A-LDB5-E00	3	E02	18320-LDB5-E00	1	F14
15000			17200-LDB5-E00	5	F13	18325-LDB5-E00	3	F14
			17214-LDB5-E00	2	F13	18328-LDB5-E00	2	F14
			1721A-LDB5-E00	2	F13	18371-LBA2-E00	2	F14
15100-LDB5-E00	3	E06	17231-LDB5-E00	0	F13	18391-LBA2-E00	1	F14
15133-LBA2-E00	1	E06	17237-KED9-900	3	F13	18532-6D34-671	0	F13
15138-LDB5-E00	4	E06	1723A-LDB5-E00	3	F13	18601-KBE2-900	4	E02
15141-LDB5-E00	1	E06	17246-LBA7-900	2	F13	18612-KFB5-900	1	E02
15200-KED9-900	7	E01	17257-LDB5-E00	3	F13	18613-LDB5-E00	2	E02
1541A-LBA2-E00	1	E01	17265-LBA7-900	1	F13	18618-LLF5-90A	2	F21
15421-1G07-001	1	E01	17369-KDB4-671	1	F13	18645-LBA2-E00	1	E02
15421-LBA2-E00	2	E01	17369-KDB4-671	0	F21	18646-GFY6-941	0	E02
15426-GAE1-921	0	E01	17369-KHC4-900	0	F13	18647-LBA2-E00	4	E02
15520-LDB5-E00	1	E01	17375-KED9-900	1	F13	18656-LDB5-E00	3	F13
1565A-PWA1-900	1	E04	17500-LDB5-MY0	1	F10	18657-LDB5-E00	2	F13
15661-LBA7-900	1	E01	17522-LLB1-900	1	F10	18658-KED9-900	2	F13
15711-LDB5-E00	1	E06	17524-LLB1-900	1	F10	1880A-LBA2-E0A	2	F21
			17550-LDB5-E00	1	F10	1880A-LBA2-E0B	2	F21
16000			17560-LDB5-E00	1	F12	18812-LDB5-E00	1	F21
			1760A-LDB5-E00	1	F10	18813-LDB5-E00	1	F21
			1763A-LDB5-MY0	1	F10	18814-LDB5-E00	1	F21

零件號碼索引

PART NO. INDEX

零件號碼 PART NO.	版數 VERSION	頁次 PAGE	零件號碼 PART NO.	版數 VERSION	頁次 PAGE	零件號碼 PART NO.	版數 VERSION	頁次 PAGE
			22000			23473-LDB5-E00	2	E07
19000			22102-LDB5-E00	3	E05	23481-LDB5-E00	3	E07
19005-LDB5-E00	2	F20	22105-LDB5-E00	3	E05	23510-LDB5-900	2	E07
19010-LDB5-E00	2	F20	22110-LDB5-E00	5	E05	23513-LDB5-E00	2	E07
19012-KHD8-900	4	F20	22121-LDB5-E0A	3	E05	23518-LDB5-E00	2	E08
19015-LBA2-E00	0	F20	22127-LDB5-E00	0	E05	23519-LDB5-E00	2	E08
19020-LBA2-E00	0	F20	22128-LDB5-E00	0	E05	23560-LBA2-E00	2	E04
19030-LDB5-E00	2	F20	22131-LDB5-E00	3	E05	23610-LDB5-E00	1	E07
19101-LDB5-E00	4	F20	22132-LDB5-E00	2	E05	23611-LDB5-E00	8	E07
19102-LDB5-E00	1	F20	22132-LDB5-E00	2	E05	23612-LDB5-E00	3	E07
19104-LDB5-E00	1	F20	22402-LDB5-E00	0	E05	23613-LDB5-E00	7	E07
19105-LDB5-E00	2	F20	2261A-LDB5-900	2	E05	23614-LDB5-E00	6	E07
19111-GBE2-004	1	F20	22631-LDB5-E00	0	E05	2362A-LDB5-E00	1	E01
19200-LDB5-E00	3	E04	22641-LDB5-E00	2	E05			
19210-KKC4-900	0	F20	2266A-LDB5-900	2	E05			
19300-LBA2-E00	1	E04				24000		
19310-LDB5-E00	1	E04	23000			24211-LDB5-E00	4	E07
19315-LBA2-E00	2	E04	23010-LDB5-E00	3	E05	24221-LDB5-E00	2	E07
19316-LDB5-E00	2	E04	23100-LDB5-E00	2	E05	24241-LDB5-E00	1	E07
19317-LBA2-E00	1	E04	23200-LDB5-E00	3	E05	24242-LDB5-E00	4	E07
19318-LDB5-E00	2	E04	23201-LDB5-E00	0	E05	24251-LDB5-E00	4	E07
19502-LDB5-E00	3	E04	23210-LDB5-E00	4	E08	24305-LDB5-E00	2	E07
19504-LBA2-E00	3	E04	23220-LDB5-E00	2	E05	2431A-LDB5-E00	4	E07
19504-LDB5-E00	3	E04	23225-LBA2-E00	1	E05	24610-LDB5-E00	4	E07
19505-LBA2-E00	4	E04	23233-LDB5-E00	1	E05	24651-LDB5-E00	4	E07
19505-LBA2-E00	4	F20	23237-LDB5-E00	1	E05	24700-LDB5-E00	1	F15
19505-LDB5-E00	3	E04	23238-LDB5-E00	1	E05	24701-LDB5-E00	2	E07
19505-LDB5-E00	3	F20	2341A-LDB5-900	2	E07	24702-LDB5-E00	4	F15
19506-LDB5-E00	1	F20	23421-LDB5-E00	4	E07	24703-LDB5-E00	5	F15
19507-LBA2-E00	0	E04	23431-LDB5-E00	3	E08	24704-LBA7-900	4	F15
19523-LDB5-E00	2	E04	23455-LDB5-E00	2	E07	24705-LDB5-E00	3	F15
			2345A-LDB5-E00	4	E08	24706-LDB5-E00	1	F15
			23471-LDB5-E00	3	E07	24707-LDB5-E00	6	F15
						24710-LDB5-E00	2	F15

零件號碼索引

PART NO. INDEX

零件號碼 PART NO.	版數 VERSION	頁次 PAGE	零件號碼 PART NO.	版數 VERSION	頁次 PAGE	零件號碼 PART NO.	版數 VERSION	頁次 PAGE
24711-LDB5-E00	3	F15						
24721-LDB5-E00	1	F15						
24781-LCA5-E00	2	F15						
			32000			35000		
28000			32100-LDB5-900	5	F18	35010-LCA5-90A	0	F18
			32101-LLB1-800	1	F18	35010-LCA5-90B	0	F18
			32161-4D04-001	2	F03	35100-LCA5-305-M1	0	F18
28100-LDB5-E00	2	E06	32410-LDB5-E00	1	E06	35100-LCA5-305-M2	0	F18
28103-LDB5-E00	2	E06	32411-LDB5-E00	2	F18	35111-LCA5-325-M1	0	F18
28110-LDB5-E00	1	E06	32412-LDB5-E00	5	E04	35111-LCA5-325-M2	0	F18
28120-KKE5-E00	1	E06				35111-LCA5-326-M1	0	F18
28210-LDB5-E00	4	E04				35111-LCA5-326-M2	0	F18
28310-LDB5-E00	1	E04	33000			35111-LLB1-327-M2	0	F18
						35111-LLB1-328-M2	0	F18
30000			33100-LDB5-E00	2	F01	3515A-LDB5-E00	2	F03
			33110-LDB5-E00	0	F01	3520A-LDF3-900	0	F03
			33120-LDB5-E00	0	F01	35340-LBA7-900	1	F04
30400-LDB5-E00	3	F18	33130-LDB5-E00	0	F01	35350-KNBN-901	0	F04
3051A-LDB5-E00	3	F18	33150-LDB5-E00	2	F01	35350-PWA2-900	1	F15
30700-LDB5-E00	2	F18	33700-LCA5-900	1	F17	35357-LDB5-E00	3	F15
			33701-LCA5-900	0	F17	35759-LDB5-E00	3	E01
			33710-LCA5-900	2	F17	35850-LDB5-E00	1	F18
			33715-LCA5-900	0	F17			
			33740-LCA5-E00	1	F17			
			33745-LCA5-E00	1	F17	37000		
			33750-LCA5-900	1	F17			
			33751-LCA5-900	0	F17	37200-LDB5-90A	1	F02
31000						37200-LDB5-90B	1	F02
31110-LDB5-E01	2	E06				37720-KGB5-900	0	E02
31110-LDB5-E0D	1	E06				37750-PAC1-005	0	E02
31120-LDB5-E01	5	E06				37760-KHD8-900	0	F20
31120-LDB5-E0D	5	E06				37801-LAB4-910	1	F10
31210-LBA2-E00	3	E06				3780A-LDB5-900	0	F10
31350-LDB5-E0A	1	E01	34000					
31500-LDB5-E0A	2	F11						
31500-LDB5-E0B	2	F11	34901-KFA6-900	0	F01			
31600-LDB5-E00	5	F18	34903-KPCP-900	0	F01			
31601-LDB5-E00	1	F18	34905-LCA5-900	0	F17			
31700-KEC8-E00	0	F19	34906-KPCP-900	0	F17			

零件號碼索引

PART NO. INDEX

零件號碼 PART NO.	版數 VERSION	頁次 PAGE	零件號碼 PART NO.	版數 VERSION	頁次 PAGE	零件號碼 PART NO.	版數 VERSION	頁次 PAGE
38000			41421-LDB5-E00	2	F16	42753-KNBN-90B	1	F08
			41431-LDB5-E00	2	F16	4280A-LDB5-E00	4	F16
38200-KEBE-900	0	F18	41436-LCD9-E00	2	F16			
38500-KHD8-900	0	F18	41437-LCD9-E00	2	F16			
38773-PKB9-001	0	F20	41447-LDB5-E00-A	2	F16	43000		
			41447-LDB5-E00-B	2	F16			
			41447-LDB5-E00-C	2	F16	43100-PWA1-900	3	F08
39000			41547-LDB5-E00-A	2	F16	43127-LDB5-900	3	F04
			41547-LDB5-E00-B	2	F16	43128-LBA7-900	1	F04
39100-LBA7-E00	1	F18	41547-LDB5-E00-C	2	F16	43200-LDE9-E00	3	F08
3930A-LDB5-E00	2	F18				43351-LDB5-E00	2	F16
			42000			43352-KKD6-E90	1	F08
						43500-LDB5-M30	1	F15
40000						43505-LDB5-E00	0	F15
			42302-LDB5-E00	4	F16	43514-4E45-77A	0	F15
40211-LCD9-E00	3	E08	42303-LDB5-E00	2	F16	43530-LDB5-305	0	F04
40211-LDB5-E00	1	E08	42400-LDB5-E00	2	E08			
40212-LDB5-E00	4	E08	42401-LDB5-E00	0	E08	44000		
40213-LCD9-E00	2	E08	42402-LDB5-E00	0	E08			
40213-LDB5-E00	1	E08	42403-LDB5-E00	0	E08			
40214-LDB5-E00	4	E08	42417-LDB5-E00	0	E08	44200-LDB5-E00	5	F07
40401-LDB5-E00	4	E08	42419-LDB5-E00	0	E08	44705-LDB5-90A	2	F07
4040A-LDB5-E00	6	E08	42420-LDB5-E00	0	E08	4470A-LDB5-E00	4	F07
40411-LDB5-E00	1	E08	42421-LDB5-E00	0	E08	44710-LDB5-90A	1	F07
40414-LDB5-E00	3	E08	42424-LDB5-E00	0	E08	44710-LDB5-90B	1	F07
40415-LDB5-E00	1	E08	42425-LDB5-E00	0	E08			
40416-LDB5-E00	1	E08	42430-LDB5-E00	0	E08	45000		
40420-LDB5-E00	1	E08	42432-LDB5-E00	0	E08			
			42437-LDB5-E00	0	E08			
			42705-LDB5-90A	2	F08	45100-LDB5-900	2	F07
41000			4270A-LDB5-E00	5	F16	45105-PWA1-305	0	F07
			42710-LDB5-90A	1	F08	45105-PWA1-305	0	F08
41310-LDB5-E00	2	F16	42710-LDB5-90B	1	F08	45107-LBA7-900	0	F07
41320-LDB5-E00	2	F16	42750-LLB1-900	0	F09	45107-LBA7-900	0	F08
41405-LDB5-E00	1	F16	42753-KNBN-90B	1	F07	45108-LBA7-900	0	F07

零件號碼索引

PART NO. INDEX

零件號碼 PART NO.	版數 VERSION	頁次 PAGE	零件號碼 PART NO.	版數 VERSION	頁次 PAGE	零件號碼 PART NO.	版數 VERSION	頁次 PAGE
45108-LBA7-900	0	F08	46000			51000		
45109-LBA7-900	0	F07						
45109-LBA7-900	0	F08	46182-5L00-014	2	F15	51400-LDB5-E00	4	F06
45110-LBA7-305	0	F07	46500-LDB5-E00	3	F15			
45110-LDE9-305	0	F08	46501-LDB5-E00	4	F15			
45121-LDB5-E00	2	F07	46502-LDB5-E00	2	F15	52000		
45127-LDB5-E00	3	F04	46503-KCW3-001	0	F15			
45128-LDB5-900	2	F04	46503-LDB5-E00	2	F15	52000-LDB5-E00	8	F16
45129-LDB5-900	2	F04	46514-LDB5-E00	2	F15	52010-LDB5-E00	3	F16
45130-LDB5-900	2	F04				52020-LDB5-E00	5	F16
45132-LBA7-900	1	F04				52101-LDB5-E00	3	E08
45133-LBA7-900	0	F07	47000			52101-LDB5-E00	3	F16
45133-LBA7-900	0	F08				52111-LDE9-E00	2	F16
45140-LDB5-E00	2	F07	47215-KHD6-900	0	F15	52115-LDB5-E00	2	F16
45200-LDB5-900	2	F07	47216-LDB5-E00	0	F15	52116-LDB5-E00	1	F16
45203-LBA7-900	0	F07	47400-LDB5-E00	6	F06	52400-LDB5-E00	4	F16
45203-LBA7-900	0	F08	47410-LDB5-E00	2	F07			
45209-LBA7-900	0	F07	47410-LDB5-E00	2	F08			
45209-LBA7-900	0	F08	47500-LDB5-E00	3	F06	53000		
45230-LBA7-900	0	F07						
45230-LBA7-900	0	F08				53100-LDB5-910	1	F03
45352-LBA7-900	0	F07	50000			53102-LDB5-E00	3	F06
45352-LBA7-900	0	F08				53131-4K39-001	0	F03
45353-LBA7-900	0	F07	50100-LDB5-900	1	F19	53166-LDB5-E00	0	F03
45353-LBA7-900	0	F08	50166-LDB5-E00	1	F19	53175-LDB5-900	0	F04
45513-KKC4-900	0	F04	50216-LDB5-E00	1	F19	53178-KFC8-E10	0	F04
45517-KFAF-910	0	F04	50218-LDB5-900	0	F19	53200-LDB5-900	5	F06
45525-LBA7-900	0	F04	50351-LDB5-E00	5	F19	53205-LDB5-E00	3	F03
45526-LBA7-900	0	F04	50352-LDB5-E00	5	F19	53250-LBA7-900	2	F06
45527-LBA7-900	0	F04	50612-LDB5-E00	4	F12	53251-LCA5-E00	1	F06
45530-LDB5-306	0	F04	50614-LDB5-E00	8	F19	53252-LBA7-900	4	F06
45531-LBA7-900	0	F07	50615-LDB5-E00	8	F19	53254-LBA7-900	3	F06
45531-LBA7-900	0	F08	50713-LDB5-E00	0	F15	53400-LDB5-E00	8	F06
						53402-LDB5-E00	3	F06
						53410-LDB5-E00	2	F06

零件號碼索引

PART NO. INDEX

零件號碼 PART NO.	版數 VERSION	頁次 PAGE	零件號碼 PART NO.	版數 VERSION	頁次 PAGE	零件號碼 PART NO.	版數 VERSION	頁次 PAGE
53450-LDB5-E00	6	F06						
53452-LDB5-E00	4	F06	64222-LLJ3-E00	1	F05	80100-LDB5-E00	4	F12
53500-LDB5-E00	5	F06	64222-LLJ3-E00	1	F12	80110-LBA7-900	1	F12
53550-LDB5-E00	3	F06	64300-LDB5-E00	2	F05	80110-LDB5-900	1	F05
53700-LDB5-E00	5	F06	64302-LDB5-E00	3	F05	80115-LDB5-900	1	F05
53701-LDB5-E00	3	F06	64307-LCA5-900	2	F05	80121-LDB5-E00	2	F12
53702-LBA7-900	1	F15	64308-LCA5-900	2	F05	80122-LDB5-E00	2	F12
53702-LLB1-900	8	F06	6430A-LDB5-E00	1	F05	80125-LBD4-900	1	F12
53703-LBA7-900	1	F15	64317-LDB5-E00	5	F20	80200-LDB5-E00	2	F12
53703-LLB1-900	8	F06	64318-LDB5-E00	1	F20			
53705-LLB1-900	3	F06	64330-LDB5-E00	4	F05			
			64340-LDB5-E00	4	F05	81000		
			64500-LDB5-E00	3	F16			
60000						81200-LDB5-E00	1	F12
						81300-LDB5-E00	1	F12
60100-LDB5-E00	3	F05	70000					
60108-LDB5-E00	2	F05						
6010B-LDB5-E00	2	F05	70529-6G57-671	0	F12	83000		
6010C-LDB5-E00	3	F05						
60120-LDB5-E00	3	F05				83500-LDB5-E00	2	F12
60130-LDB5-E00	3	F05	77000			83551-LDB5-E00	1	F05
60140-LDB5-E00	3	F05				83600-LDB5-E00	2	F12
60200-LDB5-E00	1	F05	77200-LDB5-E00	4	F09	83605-LDB5-E00	1	F12
			77206-KEB7-900	0	F09	83606-LDB5-E00	1	F12
61000			77206-LBA7-900	1	F09	83620-LCD9-E00	4	F19
			77301-LDB5-E00	3	F09	83620-LDB5-E00	1	F19
			77303-LDB5-E00	1	F09			
61104-3G57-001	0	F10	77304-LDB5-E00	0	F09	84000		
61200-LDB5-E00	1	F05	77305-LDB5-E00	1	F09			
61300-LDB5-E00	1	F05	77330-LDB5-E00	4	F19			
61344-LDB5-E00	1	F20	7734A-LDB5-E00	2	F12	84703-LLB1-900	1	F06
61345-LDB5-E00	3	F20	77430-LDB5-E00	2	F19	84703-LLB1-900	1	F19
						84703-LLB1-900	1	F20
64000			80000					

零件號碼索引

PART NO. INDEX

零件號碼 PART NO.	版數 VERSION	頁次 PAGE	零件號碼 PART NO.	版數 VERSION	頁次 PAGE	零件號碼 PART NO.	版數 VERSION	頁次 PAGE
85000			89010-LDB5-E00	3	F09	90122-LCD9-E00	4	F16
			89020-KKC4-900	1	F09	90123-LCD9-E00	2	F16
85100-LDB5-E00	4	F19				90131-LDB5-E00	1	F07
85101-LCA5-E00	2	F19				90131-LDB5-E00	1	F08
			90000			90133-LDB5-E00	1	E01
86000			90001-GBHB-661	0	E06	90145-MKS9-61A-06	1	F04
			90001-GFY6-901	1	E01	90164-0H28-900	1	F18
86102-LDB5-900	1	F23	90001-LBA2-E00	2	E02	90201-KHR8-75A	0	E04
86223-LDB5-E00	2	F23	90002-LBA2-E00	2	E02	90201-LDB5-900	0	E05
86233-LDB5-E00	2	F23	90004-LBA2-E00	3	E01	90202-LDB5-E00	1	E05
86302-LDB5-E00	1	F22	9000A-KTDT-900	0	E01	90203-LDB5-E00	4	E05
86303-LDB5-E00	2	F23	90011-KED9-900	1	E02	90203-LDB5-E00	4	E08
			90012-3C33-001	0	E02	90205-LDB5-E00	2	E05
			90017-KED9-900	3	E02	90206-0A01-001	1	E02
87000			90031-LBA2-E00	3	E02	90242-LDB5-E00	2	F16
			90032-LBA2-E00	3	E02	90243-LDB5-E00	1	E01
87322-LBA7-E00	2	F22	90033-GFY6-900	0	E02	90301-LDB5-E00	2	F07
87503-LDB5-900	2	F23	90033-GFY6-941	0	E02	90301-LDB5-E00	2	F08
87505-LDB5-E00	1	F22	90071-MLB0-001	0	E06	90302-GBR2-001	1	F10
87514-LDB5-E00	1	F22	90083-KED9-900	2	E02	90302-GBR2-001	1	F15
87515-LDB5-E00	1	F22	90084-4H28-001	0	E02	90302-GFY6-940	1	F03
87517-LDB5-E00	2	F22	90084-4H28-001	0	E04	90302-LLB1-E00-06	2	F15
87520-LDB5-M30	2	F22	9008A-LDB5-E00	1	E04	90302-PWA1-900	1	F05
87522-LDB5-M30	3	F22	90101-KEBE-900	1	E08	90302-PWA1-900	1	F12
87532-LBE8-900	2	F23	90101-KGC4-E00	1	F09	90304-GHE8-004-SW	0	F06
87532-LCA5-900	1	F23	90101-LCA5-E00-06	2	F15	90304-GHE8-004-SW	0	F16
87556-LDB5-E00	1	F22	90105-LBA7-900	1	F16	90304-GLW0-90A	1	F19
87556-LDB5-E01	2	F22	90105-MLL0-731	1	F07	90305-GHK8-001	1	F05
87560-LDB5-E00	1	F22	90105-MLL0-731	1	F16	90305-MAA1-004-SY	0	F06
87571-LCA5-M30	1	F23	90110-LLB1-800	2	F05	90306-KLF0-004-SY	0	E01
			90110-LLB1-800	2	F12	90309-LBE8-900	1	F19
			90114-1F66-007	2	F04	90311-LDB5-E00	1	E08
89000			90114-1F66-007	2	F15	90312-LDB5-E00	1	E08
			90121-LCD9-E00	5	F16	90313-LDB5-E00	1	E08
						90314-LDB5-E00	1	E08

零件號碼索引

PART NO. INDEX

零件號碼 PART NO.	版數 VERSION	頁次 PAGE	零件號碼 PART NO.	版數 VERSION	頁次 PAGE	零件號碼 PART NO.	版數 VERSION	頁次 PAGE
90315-LDB5-E00	1	E08	90605-KED9-900	2	E07	91206-LDB5-E00	0	E01
90316-LDB5-E00	1	E08	90651-LCA5-E00	1	F01	91211-LDB5-E00	1	E05
90317-LDB5-E00	1	E08	90651-LCA5-E00	1	F12	91212-4B22-007	0	F15
90318-LDB5-E00	1	E08	90652-LBA2-E00	0	E02	91251-LDB5-E00	2	F16
90319-LDB5-E00	1	E08	90652-LCA4-E00	1	F05	91254-LDE9-E00	0	F16
90320-LDB5-E00	1	E08	90652-LCA4-E00	1	F12	91255-LDB5-E00	1	E01
90321-LDB5-E00	1	E08	90652-LCA4-E00	1	F20	91256-LDB5-E00	1	E01
90322-LDB5-E00	1	E08	90652-LDB5-E00	3	F20	91257-LDB5-E00	2	E04
90401-KKJ9-001	0	E04	90652-LLJ3-E00	0	F13	91258-LDB5-E00	2	F16
90403-KED9-900	2	E02	90653-LDB5-E00	3	F20	91261-LDB5-E00	2	E01
90405-LDB5-E00	6	E05	90654-LDB5-E00	2	F13	91271-LDB5-E00	1	F16
90406-LDB5-E00	1	E05	90655-PWA2-900	1	F05	91301-LCD9-E00	1	F16
90407-LBA2-E00	2	E01	90655-PWA2-900	1	F12	91301-LDB5-E00	1	E04
90407-LDB5-E00	0	E01	90656-KCBC-900	0	F03	91302-0A01-021	0	E01
90408-LDB5-900	3	E05	90677-GAR1-004	1	F05	91302-0A01-021	0	F16
90413-GLE0-001	0	E07	90677-GAR1-004	1	F12	91302-LDB5-E00	2	E08
90421-LBA2-E00	1	E02	90683-GAR1-004	4	F13	91303-3G77-001	0	E02
90433-KAE1-001	0	E07	90701-9E65-001	0	E01	91303-3G77-001	0	E04
90441-LDB5-E00	3	E01	90750-LDB5-E00	3	E01	91303-LDB5-E00	1	E08
90443-LDB5-E00	2	E01	90753-GDB4-68A	0	F19	91304-KGBG-900	1	F16
90451-LBA7-900	1	E08	90913-LDB5-E00	3	F20	91305-GLE0-001	0	E01
90451-LDB5-E00	1	E07	90914-KED9-900	3	E02	91306-LDB5-E00	1	E08
90452-KED9-900	2	E07	90914-LDB5-E00	3	F20	91307-0E35-001	0	E04
90452-LBA4-900	1	E05				91308-KED9-900	1	E02
90452-LDB5-E00	1	E08				91309-4E25-004	0	E06
90454-1G07-001	0	E07	91000			91313-KED9-900	3	E01
90465-LBA2-E00	1	E02				91351-LDB5-E00	1	E05
90465-MDC4-001	0	E01	91001-KHV8-004	0	E01	91509-LDB5-E00	5	E01
90474-3C33-001	1	F16	91005-LDB5-E00	1	E01			
90478-7L00-001	0	E03	91021-LDB5-E00	2	E05			
90501-3L10-001	0	F15	91108-LDB5-E00	1	F16	92000		
90501-LDB5-E00	2	E05	91201-LCD9-E00	2	E08			
9052A-LDB5-E00	1	E01	91201-LDB5-E00	1	E08	92000-08030-0H	0	F03
90541-KED9-900	1	E02	91202-LDB5-900	2	E05	92101-05012-0H	0	E06
90545-3L00-001	2	F04	91202-LLB1-900	1	F19	92101-06010-0H	0	F07

零件號碼索引

PART NO. INDEX

零件號碼 PART NO.	版數 VERSION	頁次 PAGE	零件號碼 PART NO.	版數 VERSION	頁次 PAGE	零件號碼 PART NO.	版數 VERSION	頁次 PAGE
92201-05025-0H	0	E04	94001-08080-0S	0	F14	94201-25250	0	F06
			94001-08080-0S	0	F15	94201-25300	0	F15
93000			94001-LBA7-900	1	F15	94201-30250	0	F06
			94001-LLB1-800	2	F06	94201-30300	0	F16
			94001-LLB1-900	2	F06	94201-40400	0	F07
93404-06012-06	0	F13	94011-LBA7-900	1	F16	94301-08140	0	E01
93404-06012-06	0	F20	94011-LDB5-E00	2	F07	94301-08140	0	E04
93404-06016-06	0	F05	94012-12080-0S	0	F06	94301-08140	0	E05
93404-06016-06	0	F12	94012-LLB1-900	1	F06	94301-08140	0	E06
93404-06016-06	0	F15	94050-05080	0	F17	94301-10160	0	E02
93404-06016-06	0	F16	94050-06060	0	F04	94301-12200	1	E02
93404-06016-06	0	F19	94050-06060	0	F15	94301-12200	1	E03
93404-06016-06	0	F20	94050-06080	0	E02	94510-10000	0	E06
93404-06020-06	1	F05	94050-06080	0	F10	94510-10000	0	E07
93404-06020-06	1	F12	94050-06080	0	F12	94510-25000	0	E07
93500-04008-1H	0	E09	94050-06080	0	F18	94510-50000	1	E05
93500-04014-1H	0	E09	94050-06080	0	F19	94514-34000	0	F06
93500-04025-0H	0	F10	94050-08080	0	F04	94520-19000	2	E08
93500-05016-1B	0	F10	94050-08080	0	F15	94520-24000	1	E08
93600-04012-1G	0	F04	94050-10060	0	F19	94520-40000	0	F19
93890-LDB5-E00	0	F09	94050-LDE9-E00	1	F05	94520-47000	0	E04
93893-04012-17	0	F15	94050-LDE9-E00	1	F12	94520-55000	0	F16
93893-04012-18	0	F04	94101-06200	0	F14	94520-65000	1	E01
93903-34360	0	F05	94101-06700	0	F14	94520-80000	1	E05
93903-34360	0	F12	94101-06800	0	F12	94540-07017	1	E05
93903-35260	0	F05	94101-08800	0	F03	94540-12028	0	E07
93903-35260	0	F17	94101-LBA2-E00	1	F14	94591-27000	0	F05
93903-35360	0	F01	94102-14800	0	F15	94591-27000	0	F12
93903-35360	0	F02	94102-18800	0	F07	94591-KFBF-900	2	E04
93903-35360	0	F05	94102-LDB5-E00	1	F15	94601-22000	1	E03
93903-35360	0	F12	94103-06800	0	F15			
			94103-10800	0	F16			
94000			94111-06800	0	F14	95000		
			94111-08800	0	F15			
			94201-20120	0	F15	95002-02070	0	F20

零件號碼索引

PART NO. INDEX

零件號碼 PART NO.	版數 VERSION	頁次 PAGE	零件號碼 PART NO.	版數 VERSION	頁次 PAGE	零件號碼 PART NO.	版數 VERSION	頁次 PAGE
95002-02070	0	F21	95701-08016-06	0	F16	96001-06025-08	0	E05
95002-02100	0	F05	95701-08016-06	0	F19	96001-06030-08	0	E01
95002-02100	0	F10	95701-08020-06	1	F15	96001-06032-08	0	E01
95002-02100	0	F20	95701-08028-06	1	F15	96001-06032-08	0	E04
95002-02150	0	F13	95701-08030-08	0	F16	96001-06032-08	0	E05
95002-41050-00	0	E08	95701-10025-08	0	F16	96001-06032-08	0	E06
95002-41050-00	0	F16	95701-10035-08	0	F16	96001-06035-08	0	E06
95002-41300-00	0	F10	95701-LDB5-E00	1	F15	96001-06040-08	0	E01
95002-45000	0	F20	95801-08028-06	0	F15	96001-06040-08	0	E03
95002-70000	0	F20	95801-08060-06	0	F06	96001-06040-08	0	E04
95002-KHE7-900	0	E04	95801-10035-08	0	F14	96001-06040-08	0	E06
95002-KHE7-900	0	F20	95801-10050-06	1	F06	96001-06080-08	0	E01
95002-KKD6-E05	0	F13	95801-10050-06	1	F16	96001-06085-06	0	E01
95002-KKD6-E05	0	F21	95801-10070-06	1	F06	96001-06110-08	0	E01
95004-LBA7-900	0	F13	95801-10090-06	0	F19	96100-16008-00	0	E05
95005-LCD9-E00	2	E08	95801-10110-06	0	F19	96100-30203-10	0	F16
95005-LCD9-E00	2	F16	95801-10190-06	0	F19	96100-60070-00	0	F16
95012-KKA7-900	1	F11	95801-10195-06	0	F19	96100-62040-00	0	E01
95701-06008-08	0	F14	95801-KED9-900	2	E02	96100-62070-00	0	F16
95701-06012-00	0	F14	95801-LDB5-E00	1	F06	96100-63030-00	0	E01
95701-06012-06	1	F04				96100-63040-00	1	E01
95701-06012-06	1	F06				96100-63060-00	0	E01
95701-06012-06	1	F10	96000			96100-64050-00	1	E01
95701-06012-06	1	F15				96100-68150-00	0	E05
95701-06012-06	1	F19	96001-06012-00	0	F14	96100-69060-00	1	E04
95701-06012-06	1	F20	96001-06012-08	0	E01	96106-LDB5-E00	1	E01
95701-06016-06	0	F13	96001-06012-08	0	E06	96107-LDB5-E00	1	E01
95701-06016-06	0	F15	96001-06014-08	0	E02	96150-60060-10	0	F16
95701-06016-06	0	F18	96001-06016-08	0	E01	96150-62030-10	0	F19
95701-06022-06	1	F10	96001-06016-08	0	F18	96211-08000	0	F15
95701-06022-08	0	E02	96001-06018-08	0	E02	96211-16000	2	E01
95701-06025-08	0	E02	96001-06022-06	1	F04	96600-08010-10	1	E01
95701-06025-08	0	E03	96001-06022-08	0	E05	96600-08015-10	1	E06
95701-06040-08	0	E02	96001-06025-08	0	E01	96600-LDB5-E00	1	E01
95701-08012-08	0	F16	96001-06025-08	0	E04			

零件號碼索引

PART NO. INDEX

零件號碼 PART NO.	版數 VERSION	頁次 PAGE	零件號碼 PART NO.	版數 VERSION	頁次 PAGE	零件號碼 PART NO.	版數 VERSION	頁次 PAGE
98000								
98059-57916-00	2	E02						
98200-31000	1	F18						
98200-31500	0	F18						
98200-33000	0	F18						
99000								
99101-393-0900	0	E09						
N								
N114-04083	0	E09						
N114-04103	0	E09						
N413-46A00	0	E09						
N425-JDA00	0	E09						
W								
W9353-30000	0	E09						
W9353-36000	0	E09						
W9451-03212	0	E09						
W9525-25250	0	E09						
W9535-45000	0	E09						
W9554-26638	0	E09						