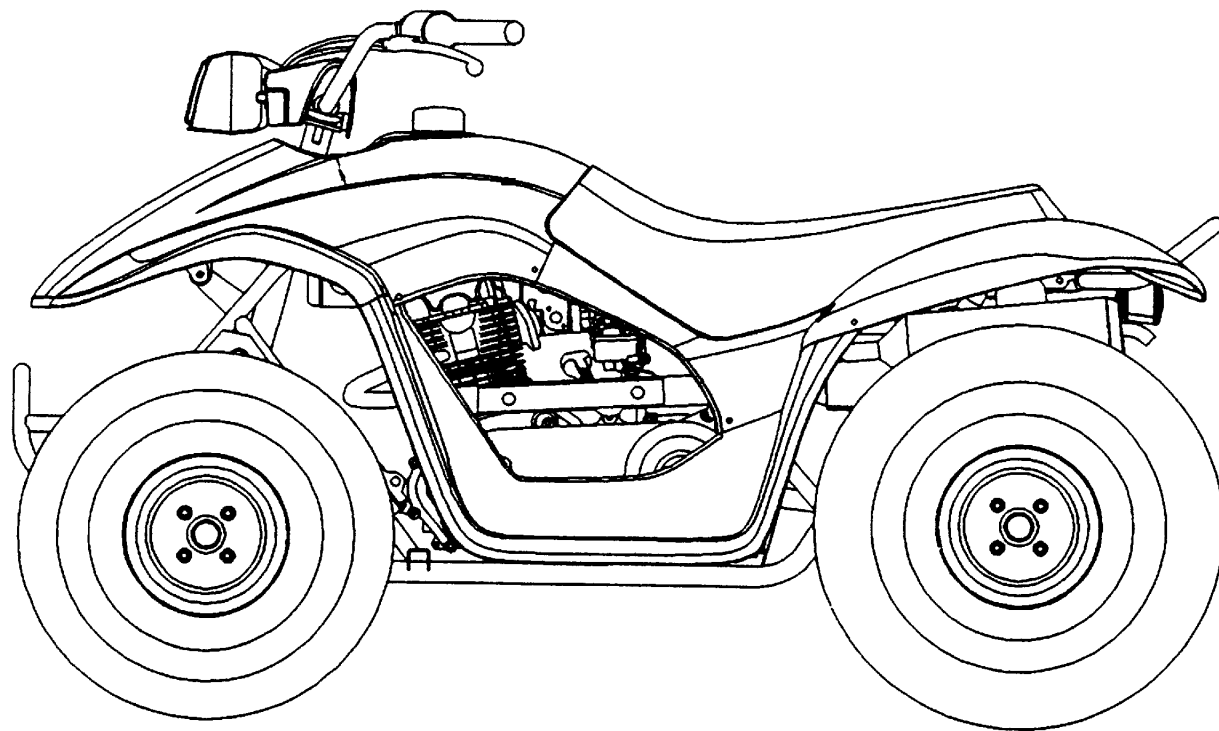


LA30AB(US) FEB/28 /2002

零件型錄  
PARTS CATALOGUE



光陽機車

KYMCO

光陽機車

KYMCO

光陽機車

KYMCO

## 前 言

- 本零件目錄適用於 LA30AB(US) 機種，訂購零件時，請參照本冊。
- 本冊之配色表僅供參考，若與實車不符之處，以實車為準。
- 販賣記號(Sales mark)：
  - 1、註明 ★★ 記號，表示訂購該零件時，請參照機車相片及配色表，並請在基本零件號碼最後加上色碼。
  - 2、註明 ★ 記號，表示該零件為補修零件。
- 本冊付梓印刷倉促，倘有錯誤或遺漏之處，敬請不吝賜教指正。

## ABOUT THIS PARTS LIST

- This parts list is compiled all service parts for model LA30AB(US)。
- Any difference between color chart and motorcycle will be revised according to motorcycle。
- The sales mark：
  - 1、marking "★★" must add color code in the end before ordering parts。
  - 2、marking "★" is a saleable item。
- When modification or additions to this parts list are made a revised edition at an appropriate time。

## 目次

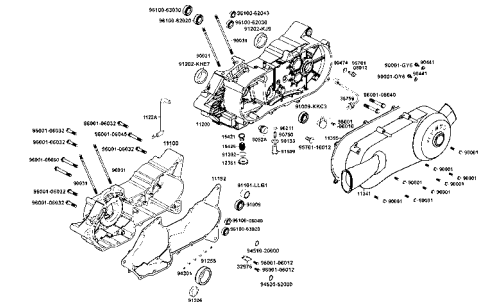
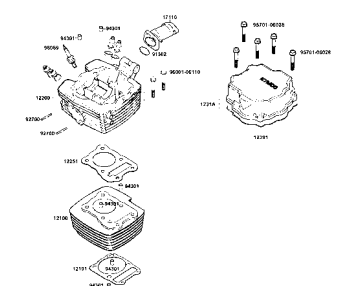
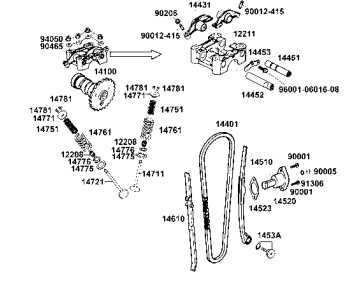
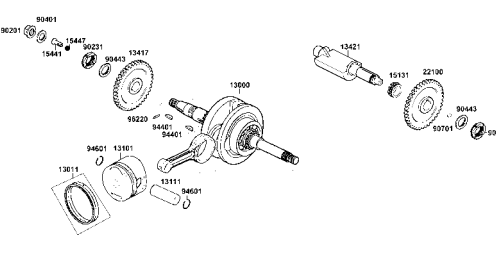
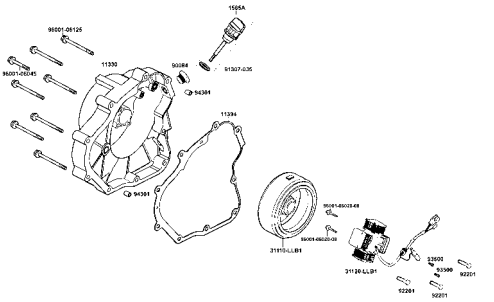
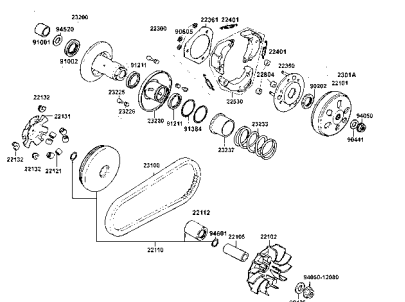
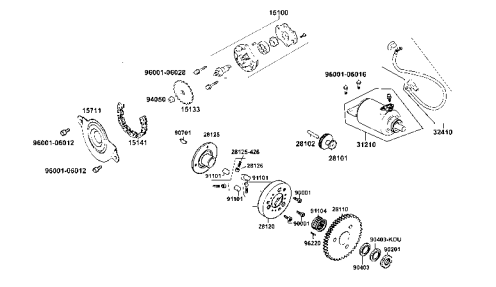
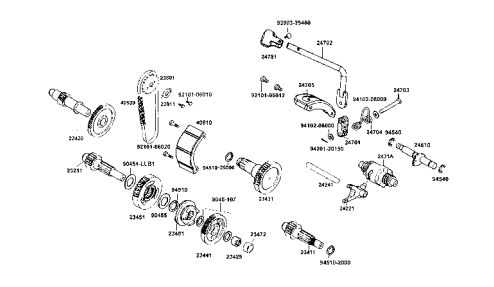
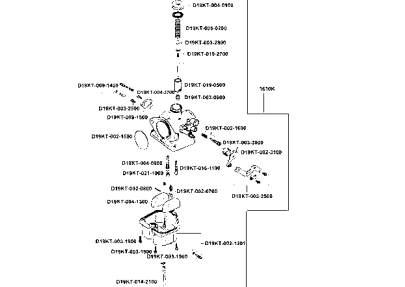
|                |    |
|----------------|----|
| ●前言            | 1  |
| ●LA30AB(US)配色表 | 5  |
| ●引擎分組圖         | 7  |
| ●車架分組圖         | 9  |
| ●引擎零件號碼表       | 13 |
| ●車架零件號碼表       | 47 |
| ●零件號碼索引        | 99 |

## CONTENTS

|                            |    |
|----------------------------|----|
| ●ABOUT THIS PARTS LIST     | 1  |
| ●COLOR CHART OF LA30AB(US) | 5  |
| ●CONTENTS-ENGINE GROUP     | 7  |
| ●CONTENTS-FRAME GROUP      | 9  |
| ●ENGINE PARTS LIST         | 13 |
| ●FRAME PARTS LIST          | 47 |
| ●PART NO. INDEX            | 99 |

|                               |                    | 機種名稱 (MODEL)     |             | LA30AB(US) 配色表 |             |
|-------------------------------|--------------------|------------------|-------------|----------------|-------------|
| 項                             | 相片號碼 (PHOTO NO)    |                  |             | NO.1           | NO.2        |
| 次                             | 主體色 (BASIC COLOR)  |                  |             | 寶              | 紅           |
| NO                            | 色碼 (CODE)          |                  |             | Blue           | Red         |
|                               | 色別零件名稱(PARTS NAME) | 基本零件號碼(PARTS NO) | 版數(VERSION) | PB089SA        | RR338SA     |
| 1                             | COVER HANDLE       | 53205-LLB1-900   | 0           | C3R            | E4R         |
| 2                             | FENDER R FR        | 61200-LLB1-900   | 0           |                |             |
| 3                             | FENDER L FR        | 61300-LLB1-900   | 0           |                |             |
| 4                             | FENDER R RR        | 80100-LLB1-900   | 0           |                |             |
| 5                             | FENDER L RR        | 80200-LLB1-900   | 0           |                |             |
| 6                             | BOX LUGGAGE        | 81250-LLB1-900   | 0           |                |             |
| 7                             | COVER FR           | 61700-LLB1-900   | 0           |                |             |
| 8                             | MUDGUARD R FLOOR   | 80121-LLB1-900   | 0           | N1R            | N1R         |
| 9                             | MUDGUARD L FLOOR   | 80122-LLB1-900   | 0           |                |             |
| 10                            | COVER ASSY TANK    | 1770A-LLB1-900   | 0           |                |             |
| 11                            | SEAT ASSY          | 77200-LLB1-900   | 0           |                |             |
| 12                            | HUB ASSY FR        | 4460A-LLB1-900   | 0           |                |             |
| 13                            | HUB ASSY RR        | 42610-LLB1-800   | 0           |                |             |
| 14                            | RIM COMP FR WHEEL  | 44705-LLB1-900   | 0           |                |             |
| 15                            | RIM COMP RR WHEEL  | 42705-LLB1-900   | 0           | T02            | T01         |
| 16                            | STRIPE R FR FENDER | 86151-LLB1-M00   | 0           |                |             |
| 17                            | STRIPE L FR FENDER | 86161-LLB1-M00   | 0           |                |             |
| 18                            | STRIPE FR COVER    | 86101-LLB1-M00   | 0           | T01            | T01         |
| 19                            | COVER LEFT         | 11341-LLB1-900   | 0           | NJA            | NJA         |
| 20                            |                    |                  |             |                |             |
| 21                            |                    |                  |             |                |             |
| 22                            |                    |                  |             |                |             |
| 23                            |                    |                  |             |                |             |
| 24                            |                    |                  |             |                |             |
| 25                            |                    |                  |             |                |             |
| 26                            |                    |                  |             |                |             |
| 27                            |                    |                  |             |                |             |
| 28                            |                    |                  |             |                |             |
| 29                            |                    |                  |             |                |             |
| 30                            |                    |                  |             |                |             |
| 31                            |                    |                  |             |                |             |
| 32                            |                    |                  |             |                |             |
| 33                            |                    |                  |             |                |             |
| 34                            |                    |                  |             |                |             |
| 35                            |                    |                  |             |                |             |
| 36                            |                    |                  |             |                |             |
| 37                            |                    |                  |             |                |             |
| 生產日期 (DATE OF STARTING-SALES) |                    |                  |             | 2002.MAR.07    | 2002.MAR.07 |

# CONTENTS-ENGINE GROUP

| E1 Crank Case -15-  | E2 Cylinder Head -21-  | E3 Valve -25-   |  |
|---|--|---|--|
|    |    |    |  |
| E4 Piston•Crankshaft -27-   | E5 Right Crankcase Cover -29-  | E6 Driven Pulley -31-   |  |
|   |   |   |  |
| E7 Starting Motor•Generator -35-  | E8 Transmission -39-   | E9 Carburetor -43-  |  |
|  |  |  |  |





# CONTENTS-FRAME GROUP

**F19 Frame Body**

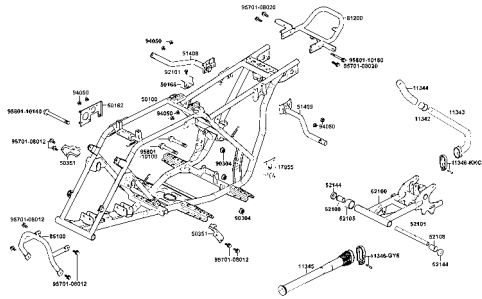
**-91-**

**F20 Caution Label**

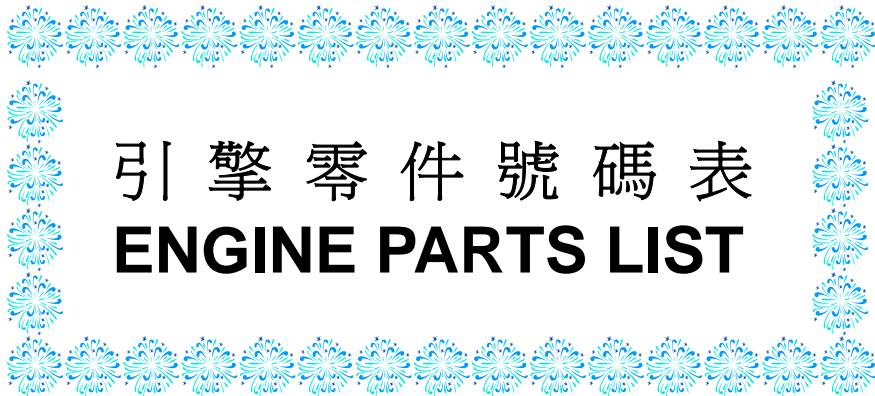
**-95-**

**F21 Emblem Stripe**

**-97-**

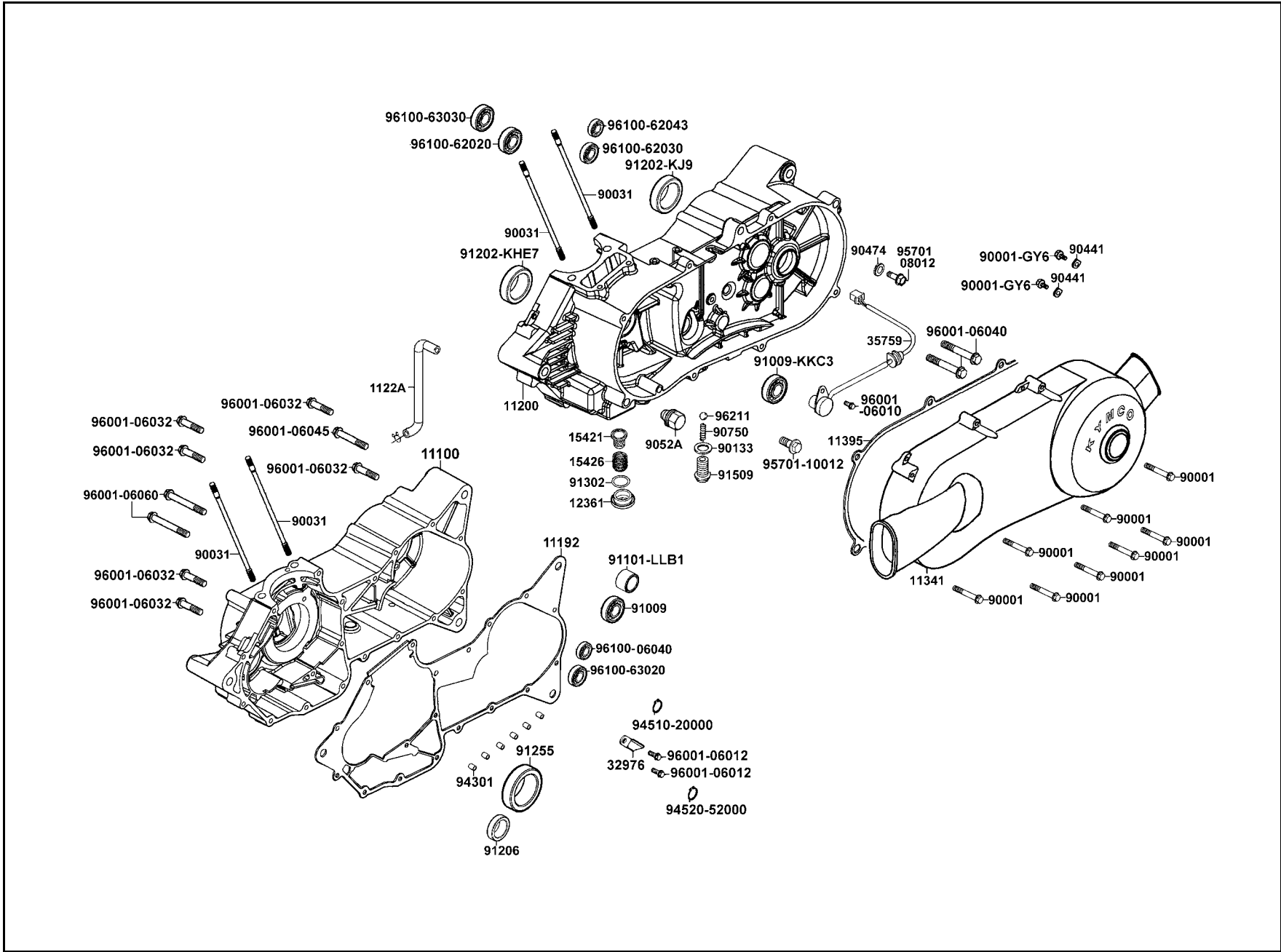






引擎零件號碼表  
**ENGINE PARTS LIST**

**E 1 Crank Case**



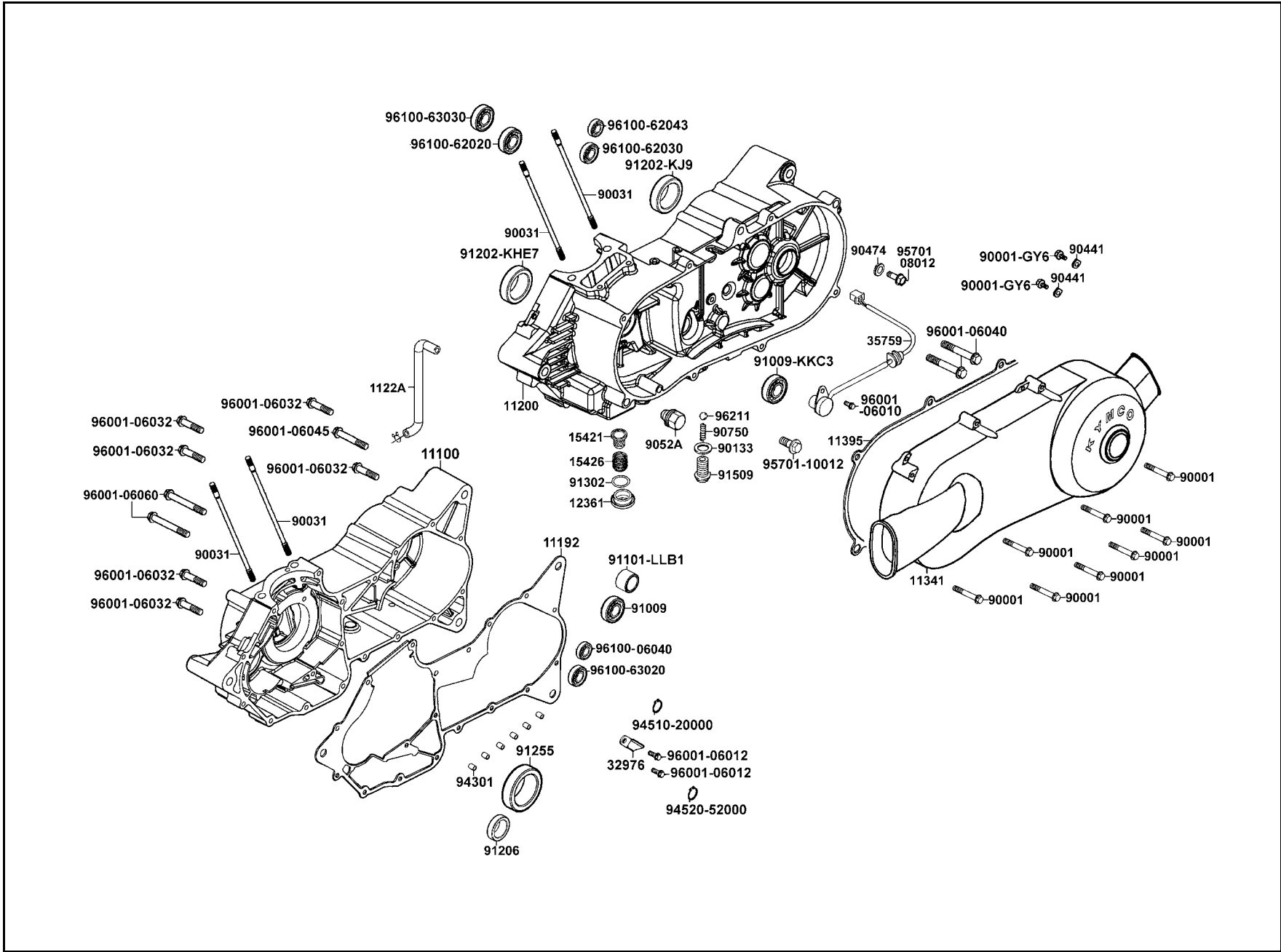
| 販賣記號<br>Sales mark | 項目<br>Ref no | 零件號碼<br>Part no | 版數<br>Ver | 英文名稱<br>Description        | 中文名稱<br>Chinese | 需要用量<br>Regd no | 參考價<br>Ref Price |
|--------------------|--------------|-----------------|-----------|----------------------------|-----------------|-----------------|------------------|
| *                  |              | 11100-LLB1-900  | 0         | CASE R COMP CRANK          | 右曲軸箱組           | 1               |                  |
| *                  |              | 11192-LLB1-900  | 0         | GASKET CRANK CASE @ A      | 曲軸箱墊片 A         | 1               |                  |
| *                  |              | 11200-LLB1-900  | 0         | CRANK CASE COMP LEFT       | 左曲軸箱            | 1               |                  |
| *                  |              | 1122A-LLB1-900  | 0         | TUBE ASSY MISSION BREATHER | 通氣管             | 1               |                  |
| *                  |              | 11341-LLB1-900  | 0         | COVER L                    | 左曲軸箱蓋           | 1               |                  |
| *                  |              | 11395-LLB1-900  | 0         | GASKET L COVER @ A         | 曲軸箱墊片 A         | 1               |                  |
| *                  |              | 12361-GY6-9010  | 0         | HOLE CAP TAPPET ADJUSTING  | 調節螺帽            | 1               |                  |
| *                  |              | 15421-107-0000  | 1         | SCREEN OIL FILTER          | 濾油網             | 1               |                  |
| *                  |              | 15426-GE1-9200  | 0         | SPG OIL FILTER SCREEN      | 濾油網彈簧           | 1               |                  |
| *                  |              | 32976-107-0010  | 0         | CLAMPER WIRE HARNESS       | 配線固定夾           | 2               |                  |
| *                  |              | 35759-LLB1-900  | 0         | SW ASSY GEAR CHANGE        | 換檔開關組           | 1               |                  |
| *                  |              | 90001-GHB-7110  | 0         | BOLT FLANGE SHF 6*40       | 螺絲 6X40         | 8               |                  |
| *                  |              | 90001-GY6-9010  | 1         | SOCKET BOLT 6*10           | 螺絲 6X10         | 2               |                  |
| *                  |              | 90031-KBE-9000  | 0         | BOLT A STUD 8MM            | 雙頭螺絲 8MM        | 4               |                  |
| *                  |              | 90133-LLB1-900  | 0         | WASHER BOLT SEAT           | 螺絲              | 1               |                  |
| *                  |              | 90441-KY4-9000  | 0         | PLATE BRG HOLD             | 軸承板             | 2               |                  |
| *                  |              | 90474-333-0010  | 0         | WASHER 8MM                 | 華司              | 1               |                  |
| *                  |              | 9052A-GY6-9500  | 0         | BOLT ASSY DRAIN PLUG       | 螺絲              | 1               |                  |
| *                  |              | 90750-LLB1-900  | 0         | SPRING BOLT SEAT INNER     | 彈簧              | 1               |                  |
| *                  |              | 91009-KHE7-9000 | 0         | BRG BALL RADIAL 6205LLU    | 球型軸承            | 1               |                  |



| 販賣記號<br>Sales mark | 項目<br>Ref no | 零件號碼<br>Part no | 版數<br>Ver | 英文名稱<br>Description          | 中文名稱<br>Chinese | 需要用量<br>Regd no | 參考價<br>Ref Price |
|--------------------|--------------|-----------------|-----------|------------------------------|-----------------|-----------------|------------------|
| *                  |              | 91009-KKC3-9000 | 0         | BRG BALL RADIAL 6300LLUC3/2A | 左曲軸箱軸承          | 1               |                  |
| *                  |              | 91101-LLB1-900  | 0         | BRG NEEDLE 30*42*17          | 滾針軸承            | 1               |                  |
| *                  |              | 91202-KHE7-9000 | 0         | OIL SEAL 22*34*6             | 油封              | 1               |                  |
| *                  |              | 91202-KJ9-0040  | 0         | OIL SEAL 20*32*6             | 油封 20X32X6      | 1               |                  |
| *                  |              | 91206-286-0140  | 0         | OIL SEAL 14*28*7             | 油封 14X28X7      | 1               |                  |
| *                  |              | 91255-LLB1-900  | 0         | OIL SEAL 30*40*7             | 油封 30X40X7      | 1               |                  |
| *                  |              | 91302-001-0210  | 0         | O-RING 30.8M/M               | O環 30.8MM       | 1               |                  |
| *                  |              | 91509-LLB1-900  | 0         | BOLT SEAT BALL STOPPER       | 螺絲              | 1               |                  |
| *                  |              | 94301-10160     | 0         | DOWEL PIN 10*16              | 定位銷 10X16       | 6               |                  |
| *                  |              | 94510-20000     | 0         | CIR CLIP EX 20               | 環夾 20MM         | 1               |                  |
| *                  |              | 94520-52000     | 0         | CIR CLIP IN 52               | 環夾              | 1               |                  |
| *                  |              | 95701-08012-08  | 0         | BOLT FLANGE 8*12             | 螺絲 8X12         | 1               |                  |
| *                  |              | 95701-10012-08  | 0         | BOLT FLANGE 10*12            | 螺絲 10X12        | 1               |                  |
| *                  |              | 96001-06010-08  | 0         | BOLT FLANGE SH 6*10          | 螺絲 6X10         | 1               |                  |
| *                  |              | 96001-06012-08  | 0         | BOLT FLANGE SH 6*12          | 螺絲 6X12         | 2               |                  |
| *                  |              | 96001-06032-08  | 0         | BOLT FLANGE SH 6*32          | 螺絲 6X32         | 1               |                  |
| *                  |              | 96001-06040-08  | 0         | BOLT FLANGE SH 6*40          | 螺絲 6X40         | 2               |                  |
| *                  |              | 96001-06045-08  | 0         | BOLT FLANGE SH 6*45          | 螺絲 6X45         | 1               |                  |
| *                  |              | 96001-06060-08  | 0         | BOLT FLANGE 6*60             | 螺絲 6X60         | 2               |                  |
| *                  |              | 96100-62020-00  | 0         | BEARING BALL RADIAL 6202     | 軸承 6202         | 1               |                  |

E 1

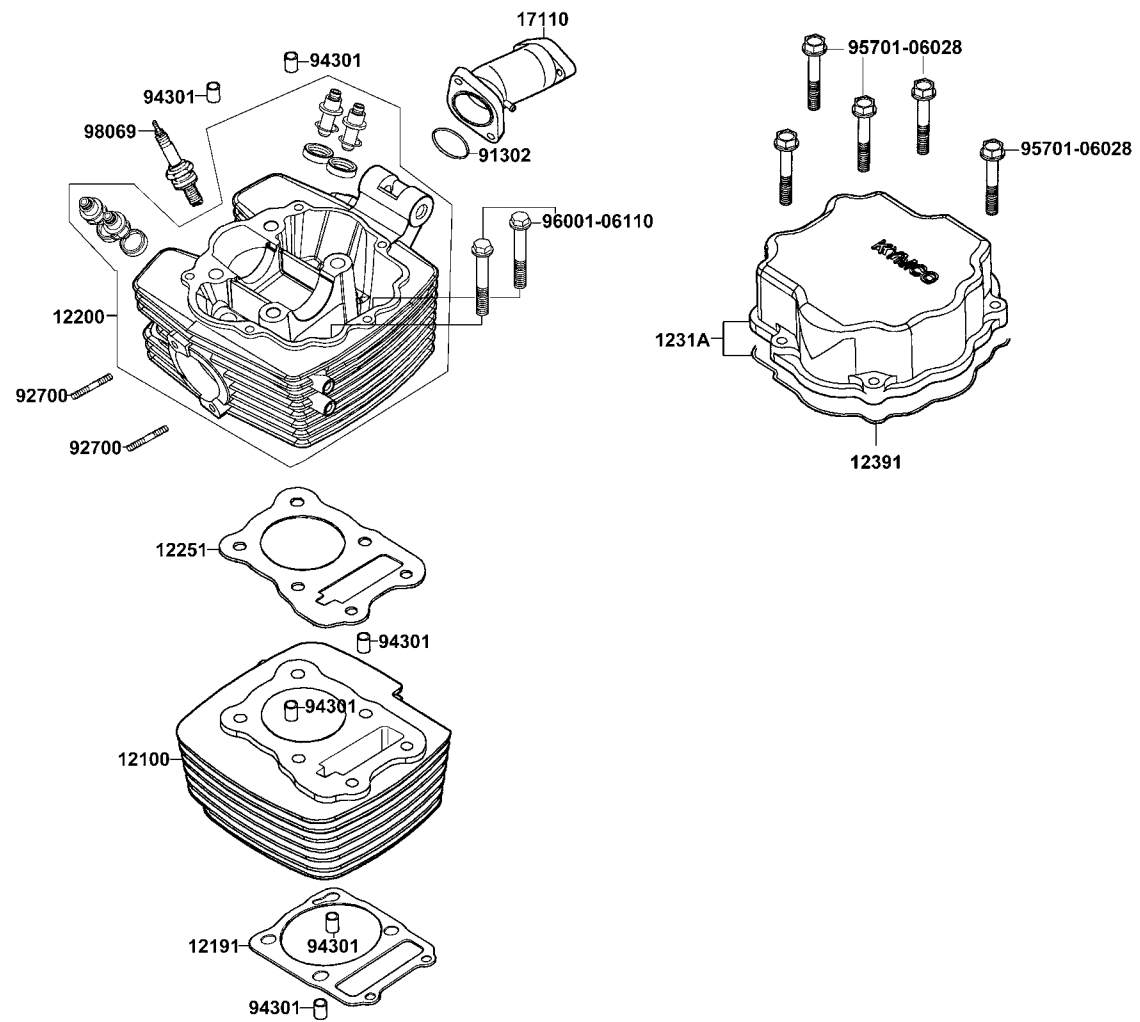
**E 1 Crank Case**



| 販賣記號<br>Sales mark | 項目<br>Ref no | 零件號碼<br>Part no   | 版數<br>Ver | 英文名稱<br>Description      | 中文名稱<br>Chinese | 需要用量<br>Regd no | 參考價<br>Ref Price |
|--------------------|--------------|-------------------|-----------|--------------------------|-----------------|-----------------|------------------|
| *                  |              | 96100-62030-00    | 0         | BEARING BALL RADIAL 6203 | 軸承 6203         | 2               |                  |
| *                  |              | 96100-62040-00    | 0         | BRG BALL RADIAL 6204     | 軸承 6204         | 1               |                  |
| *                  |              | 96100-62043-00-M1 | 0         | BEARING BALL RADIAL 6204 | 軸承 6204         | 1               |                  |
| *                  |              | 96100-63020-00    | 0         | BRG BALL RADIAL 6302     | 軸承 6302         | 1               |                  |
| *                  |              | 96100-63030-00    | 0         | BEARING BALL RADIAL 6303 | 軸承 6303         | 1               |                  |
| *                  |              | 96211-LLB1-900    | 0         | BALL STEEL 12            | 鋼球              | 1               |                  |

E 1

# E 2 Cylinder Head





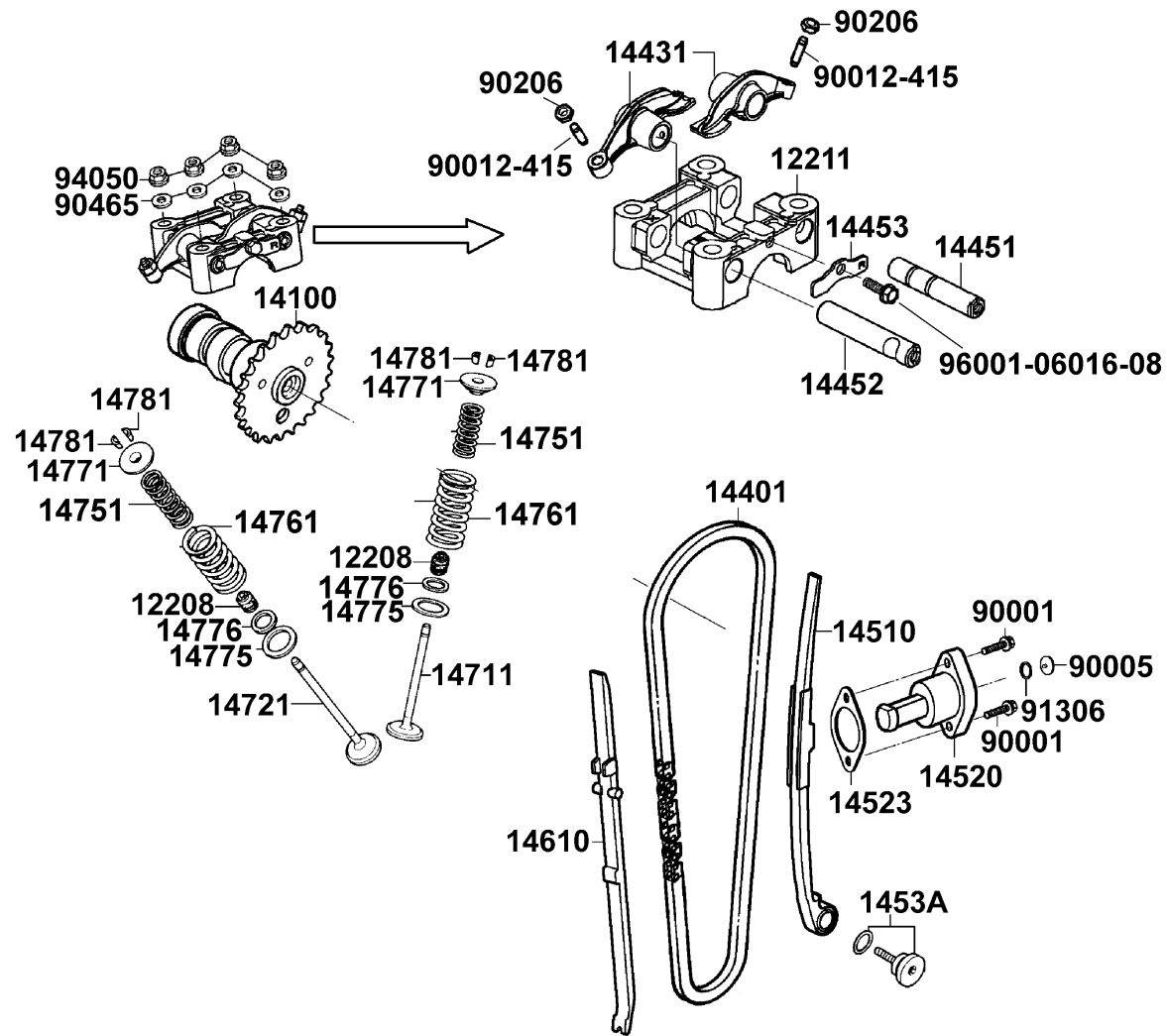
| 販賣記號       | 項目     | 零件號碼            | 版數  | 英文名稱                  | 中文名稱      | 需要用量    | 參考價       |
|------------|--------|-----------------|-----|-----------------------|-----------|---------|-----------|
| Sales mark | Ref no | Part no         | Ver | Description           | Chinese   | Regd no | Ref Price |
| *          |        | 12100-KKA8-9000 | 0   | CYLINDER COMP         | 汽缸        | 1       |           |
| *          |        | 12191-KEC8-9000 | 0   | GASKET CYLINDER       | 汽缸墊片      | 1       |           |
| *          |        | 12200-KFB1-E00  | 2   | HEAD COMP CYLINDER    | 汽缸頭       | 1       |           |
| *          |        | 12251-KFB1-9000 | 0   | GASKET CYLINDER HEAD  | 汽缸頭墊片     | 1       |           |
| *          |        | 1231A-LLB1-900  | 0   | COVER ASSY HEAD       | 汽缸頭蓋      | 1       |           |
| *          |        | 12391-KEC8-9000 | 0   | PACKING CYLINDER HEAD | 汽缸頭蓋墊片    | 1       |           |
| *          |        | 17110-LLB1-900  | 0   | PIPE COMP INLET       | 進氣管       | 1       |           |
| *          |        | 91302-200-0010  | 0   | O RING 33.5*3         | O環 27X2.0 | 1       |           |
| *          |        | 92700-06035-3E  | 0   | BOLT STUD 6*35        | 螺絲 6X35   | 2       |           |
| *          |        | 92712-06028-0B  | 0   | BOLT STUD 6*28        | 螺絲 6X28   | 4       |           |
| *          |        | 94301-10160     | 0   | DOWEL PIN 10*16       | 定位銷 10X16 | 6       |           |
| *          |        | 95701-06028-08  | 0   | BOLT FLANGE 6*28      | 螺絲 6X28   | 4       |           |
| *          |        | 96001-06110-08  | 0   | BOLT FLANGE SH 6*110  | 螺絲 6X110  | 2       |           |
| *          |        | 98069-5771R     | 0   | SPARK PLUG (DR-8EA)   | 火星塞       | 1       |           |

E 2



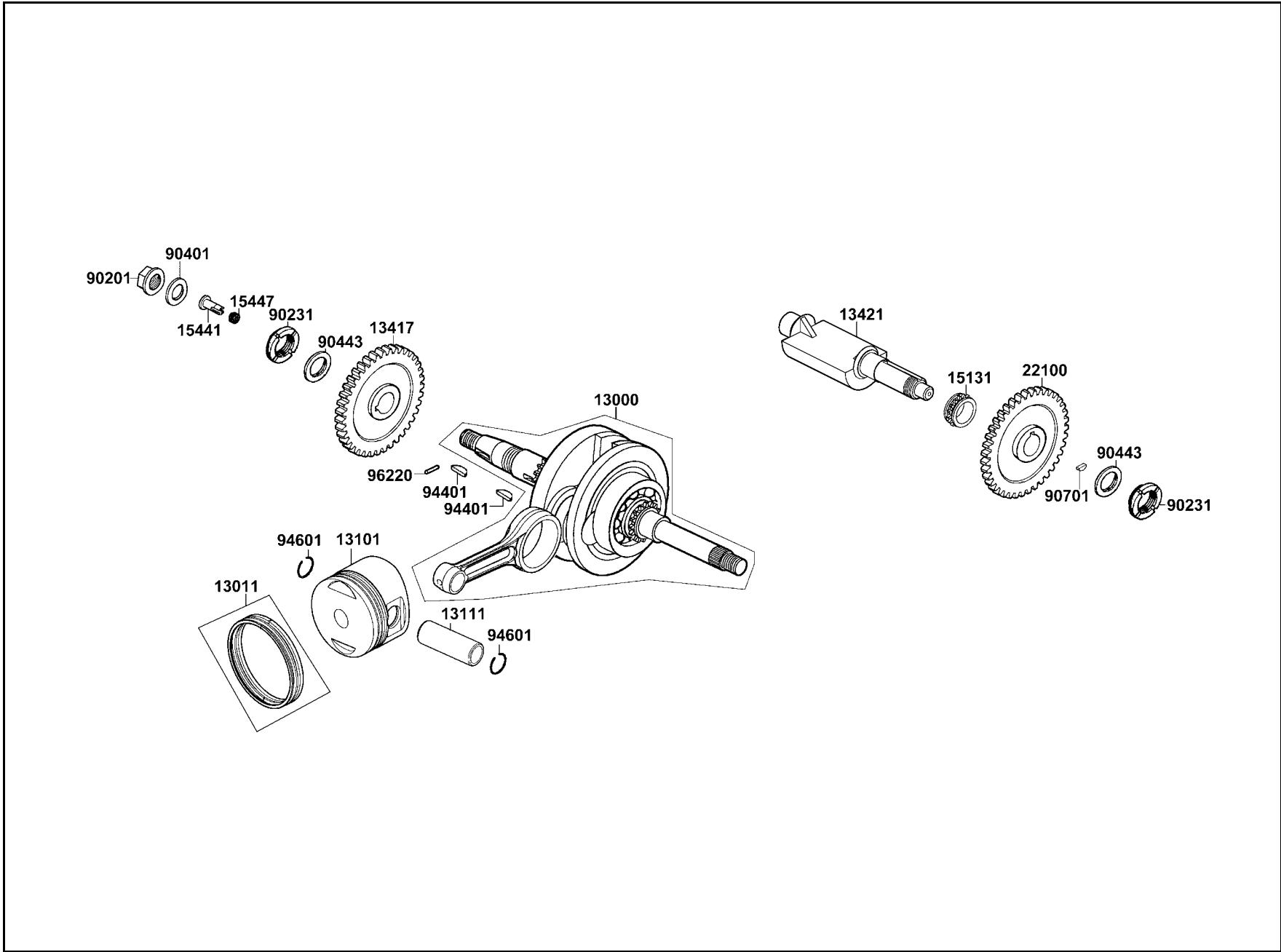
| 販賣記號       | 項目     | 零件號碼               | 版數  | 英文名稱                       | 中文名稱     | 需要用量    | 參考價       |
|------------|--------|--------------------|-----|----------------------------|----------|---------|-----------|
| Sales mark | Ref no | Part no            | Ver | Description                | Chinese  | Regd no | Ref Price |
| *          |        | 12208-413-0040     | 0   | SEAL VALVE STEM            | 門閥徑封     | 2       |           |
| *          |        | 12211-KEC8-9000    | 1   | HOLDER CAM SHAFT           | 凸輪軸固定座   | 1       |           |
| *          |        | 14100-LLB1-900     | 0   | SHAFT COMP CAM             | 凸輪軸      | 1       |           |
| *          |        | 14401-KEC8-9000-M1 | 0   | CHAIN CAM                  | 凸輪軸驅動鏈條  | 1       |           |
| *          |        | 14431-KEC8-9000    | 1   | ARM VALVE ROCKER           | 門閥搖臂     | 2       |           |
| *          |        | 14451-KEC8-9000    | 1   | SHAFT IN ROCKER ARM        | 進汽門閥搖臂輪  | 1       |           |
| *          |        | 14452-KEC8-9000    | 0   | SHAFT EX ROCKER ARM        | 排汽門閥搖臂輪  | 1       |           |
| *          |        | 14453-KEC8-9000    | 0   | SET PLATE ROCKER ARM SHAFT | 門閥搖臂輪固定板 | 1       |           |
| *          |        | 14510-LLB1-900     | 0   | TENSIONER CAM CHAIN        | 凸輪軸鏈條張力桿 | 1       |           |
| *          |        | 14520-GY6-9010-M1  | 1   | LIFTER ASSY TENSIONER      | 內鏈條調整器   | 1       |           |
| *          |        | 14523-GY6-9000     | 0   | GASKET TENSIONER LIFTER @A | 內鏈條調整器墊片 | 1       |           |
| *          |        | 1453A-LLB1-900     | 0   | PIVOT CAM CHAIN TENSIONER  | 凸輪鏈條螺絲   | 1       |           |
| *          |        | 14610-LLB1-900     | 0   | GUIDE COMP CAM CHAIN       | 鏈條導桿     | 1       |           |
| *          |        | 14711-437-000-M1   | 0   | VALVE INLET                | 進氣門閥     | 1       |           |
| *          |        | 14721-437-0000-M1  | 0   | VALVE EXHAUST              | 排氣門閥     | 1       |           |
| *          |        | 14751-KEC8-9000    | 0   | SPG VALVE OUTER            | 門閥外彈簧    | 2       |           |
| *          |        | 14761-KEC8-9000    | 0   | SPG VALVE INNER            | 門閥內彈簧    | 2       |           |
| *          |        | 14771-107-0210     | 0   | RETAINER VALVE SPRING      | 閥門彈簧保持器  | 2       |           |
| *          |        | 14775-107-0000     | 1   | SEAT VALVE SPG OUTER       | 門閥彈簧外座   | 2       |           |
| *          |        | 14776-107-0100     | 1   | SEAT VALVE SPRING INNER    | 汽門酢內彈簧   | 2       |           |

**E 3** Valve



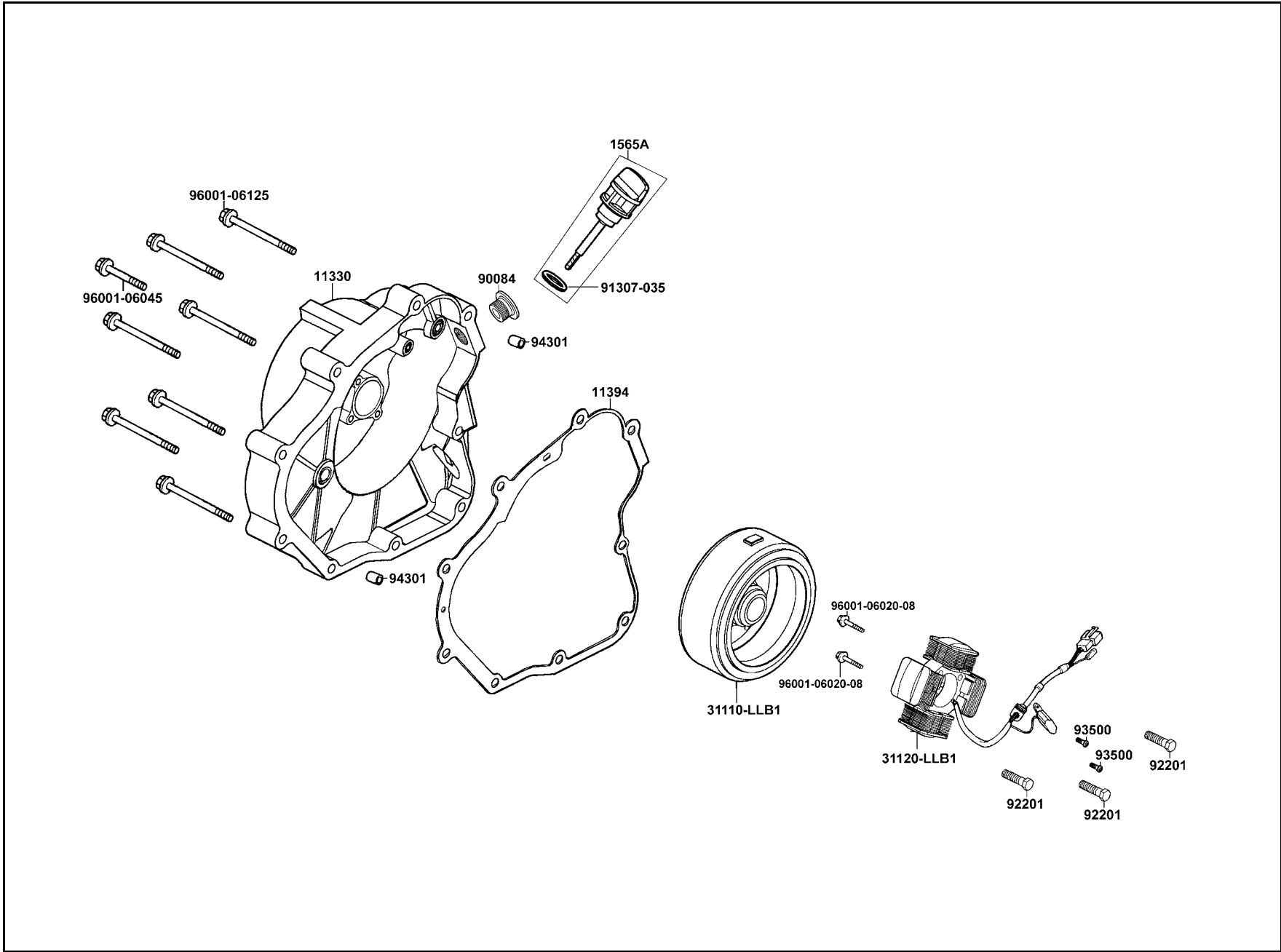
| 販賣記號       | 項目     | 零件號碼            | 版數  | 英文名稱                    | 中文名稱        | 需要用量    | 參考價       |
|------------|--------|-----------------|-----|-------------------------|-------------|---------|-----------|
| Sales mark | Ref no | Part no         | Ver | Description             | Chinese     | Regd no | Ref Price |
| *          |        | 14781-107-0200  | 1   | COTTER VALVE            | 閥門鎖扣        | 4       |           |
| *          |        | 90001-GHB-6610  | 0   | BOLT FLANGE SHF 6*22    | 螺絲6*22      | 2       |           |
| *          |        | 90005-KEC8-9000 | 1   | BOLT SPECIAL 6*6        | 螺絲6*6       | 1       |           |
| *          |        | 90012-415-0010  | 0   | SCREW TAPPING ADJUSTING | 汽門間隙調整螺絲    | 2       |           |
| *          |        | 90206-250-0010  | 0   | NUT TAPPET ADJUSTING    | 汽門間隙調整螺帽    | 2       |           |
| *          |        | 90465-MC4-0010  | 0   | WASHER 8MM              | 華司          | 4       |           |
| *          |        | 91301-GR0-0040  | 0   | O RING 15.2*1.5         | O環 15.2X1.5 | 1       |           |
| *          |        | 91306-105-6910  | 0   | O RING 1.5*9.5          | O環 1.5X9.5  | 1       |           |
| *          |        | 94050-08080     | 0   | NUT FLANGE 8MM          | 螺帽          | 4       |           |
| *          |        | 96001-06016-08  | 0   | BOLT FLANGE 6*16        | 螺絲 6*16     | 2       |           |

**E 4** Piston●Crankshaft



| 販賣記號<br>Sales mark | 項目<br>Ref no | 零件號碼<br>Part no | 版數<br>Ver | 英文名稱<br>Description     | 中文名稱<br>Chinese | 需要用量<br>Regd no | 參考價<br>Ref Price |
|--------------------|--------------|-----------------|-----------|-------------------------|-----------------|-----------------|------------------|
| *                  |              | 13000-LLB1-900  | 0         | CRANK SHAFT COMP        | 曲軸              | 1               |                  |
| *                  |              | 13011-KAG-9000  | 1         | RING SET PISTON         | 活塞環             | 1               |                  |
| *                  |              | 13101-KAG-9010  | 0         | PISTON                  | 活塞              | 1               |                  |
| *                  |              | 13111-414-001   | 1         | PIN PISTON              | 活塞銷             | 1               |                  |
| *                  |              | 13417-KKA8-9000 | 0         | GEAR BALANCER           | 平衡齒輪            | 1               |                  |
| *                  |              | 13421-LLB1-900  | 0         | SHAFT BALANCER          | 平衡軸             | 1               |                  |
| *                  |              | 15131-LLB1-900  | 0         | SPROCKET OIL PUMP DRIVE | 油泵驅動齒輪          | 1               |                  |
| *                  |              | 15441-149-0010  | 0         | OIL THROUGH             | 通油器             | 1               |                  |
| *                  |              | 15447-149-0010  | 0         | SPG OIL THROUGH         | 通油器彈簧           | 1               |                  |
| *                  |              | 22100-KKA8-9000 | 0         | GEAR BALANCER DRIVEN A  | A型平衡齒輪          | 1               |                  |
| *                  |              | 90201-LLB1-900  | 0         | NUT FLANGE 14MM         | 螺帽              | 1               |                  |
| *                  |              | 90231-KEC2-9000 | 1         | NUT LOCK 16MM           | 螺帽              | 1               |                  |
| *                  |              | 90401-KJ9-0010  | 0         | WASHER THRUST 14*28*2   | 華司              | 1               |                  |
| *                  |              | 90443-KEC2-9000 | 0         | WASHER GEAR BAL         | 華司              | 1               |                  |
| *                  |              | 90701-HB6-0110  | 0         | KEY WOODRUFF 25*14*4    | 固定鍵 25X14X4     | 1               |                  |
| *                  |              | 94401-KEC2-9000 | 0         | KEY WOODRUFF 16*13      | 固定鍵 16X13       | 1               |                  |
| *                  |              | 94601-15000     | 0         | CLIP PISTON PIN 15MM    | 活塞銷環夾 15MM      | 2               |                  |
| *                  |              | 96220-20118     | 0         | ROLLER 2*11.8           | 滾子              | 1               |                  |

# E 5 Right Crankcase Cover

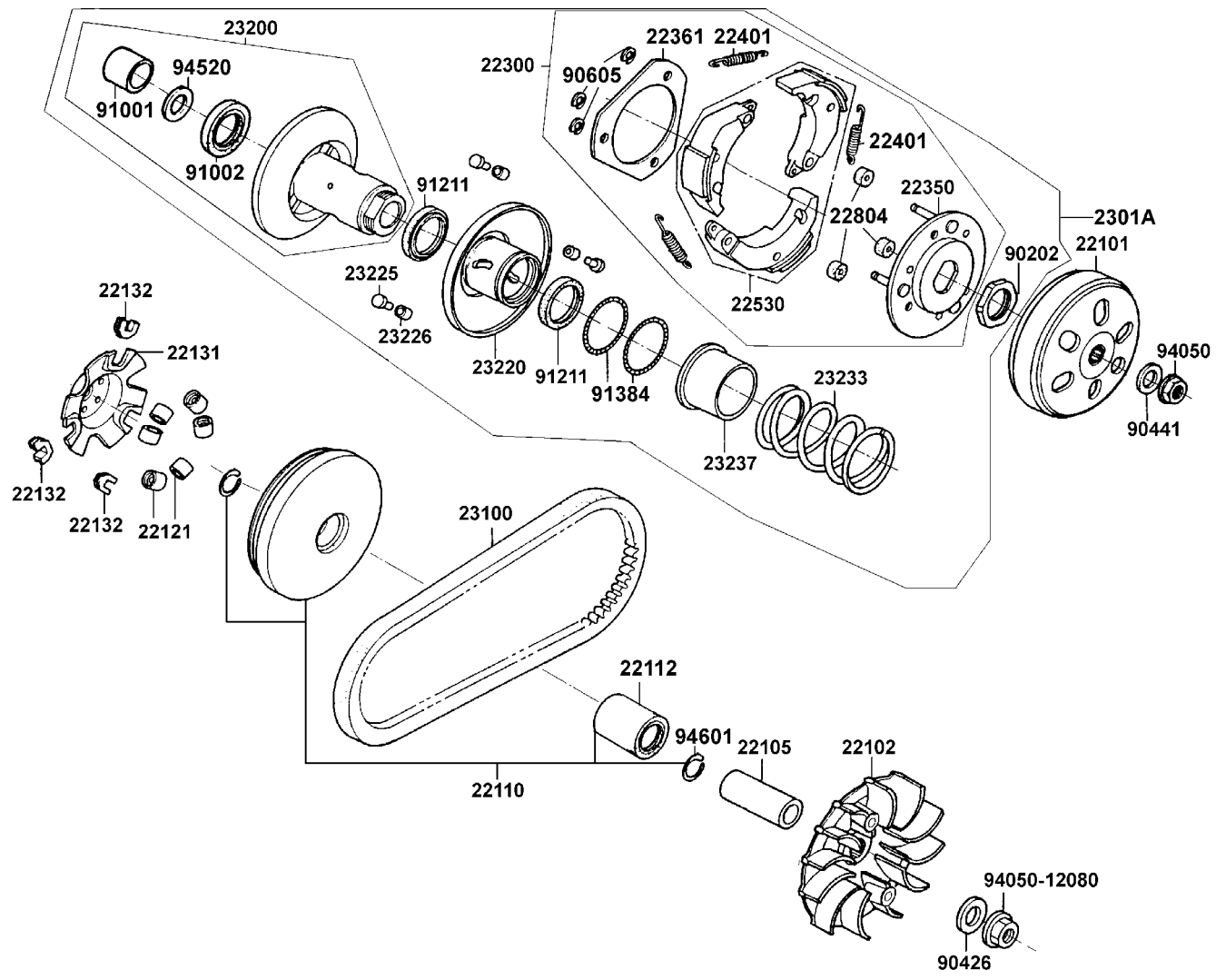




| 販賣記號       | 項目     | 零件號碼           | 版數  | 英文名稱                 | 中文名稱      | 需要用量    | 參考價       |
|------------|--------|----------------|-----|----------------------|-----------|---------|-----------|
| Sales mark | Ref no | Part no        | Ver | Description          | Chinese   | Regd no | Ref Price |
| *          |        | 11330-LLB1-900 | 0   | COVER COMP RIGHT     | 右曲軸箱蓋     | 1       |           |
| *          |        | 11394-LLB1-900 | 0   | GASKET R COVER @ A   | 右曲軸箱蓋墊片 A | 1       |           |
| *          |        | 1565A-GY6-9000 | 0   | GAUGE OIL LEVEL ASSY | 機油尺組      | 1       |           |
| *          |        | 31110-LLB1-90A | 0   | FLYWHEEL COMP        | 飛輪        | 1       |           |
| *          |        | 31110-LLB1-90B | 0   | FLYWHEEL COMP        | 飛輪        | 1       |           |
| *          |        | 31120-LLB1-90A | 0   | STATOR COMP          | 轉子線圈      | 1       |           |
| *          |        | 31120-LLB1-90B | 0   | STATOR COMP          | 轉子線圈      | 1       |           |
| *          |        | 90084-428-0010 | 0   | CAP A.C.G            | A.C.G.蓋   | 1       |           |
| *          |        | 91307-035-0010 | 0   | O RING 18*3          | O環 18X3   | 1       |           |
| *          |        | 92201-05025-0H | 0   | BOLT HEX 5*25        | 螺絲 5X25   | 3       |           |
| *          |        | 93500-05016-0H | 0   | SCREW PAN 5*16       | 螺絲 5X16   | 2       |           |
| *          |        | 94301-08140    | 0   | DOWEL PIN 8*14       | 定位銷 8X14  | 2       |           |
| *          |        | 96001-06020-08 | 0   | BOLT FLANGE SH 6*20  | 螺絲 6X20   | 2       |           |
| *          |        | 96001-06045-08 | 0   | BOLT FLANGE SH 6*45  | 螺絲 6X45   | 1       |           |
| *          |        | 96001-06125-08 | 0   | BOLT FLANGE SH 6*125 | 螺絲 6X125  | 8       |           |

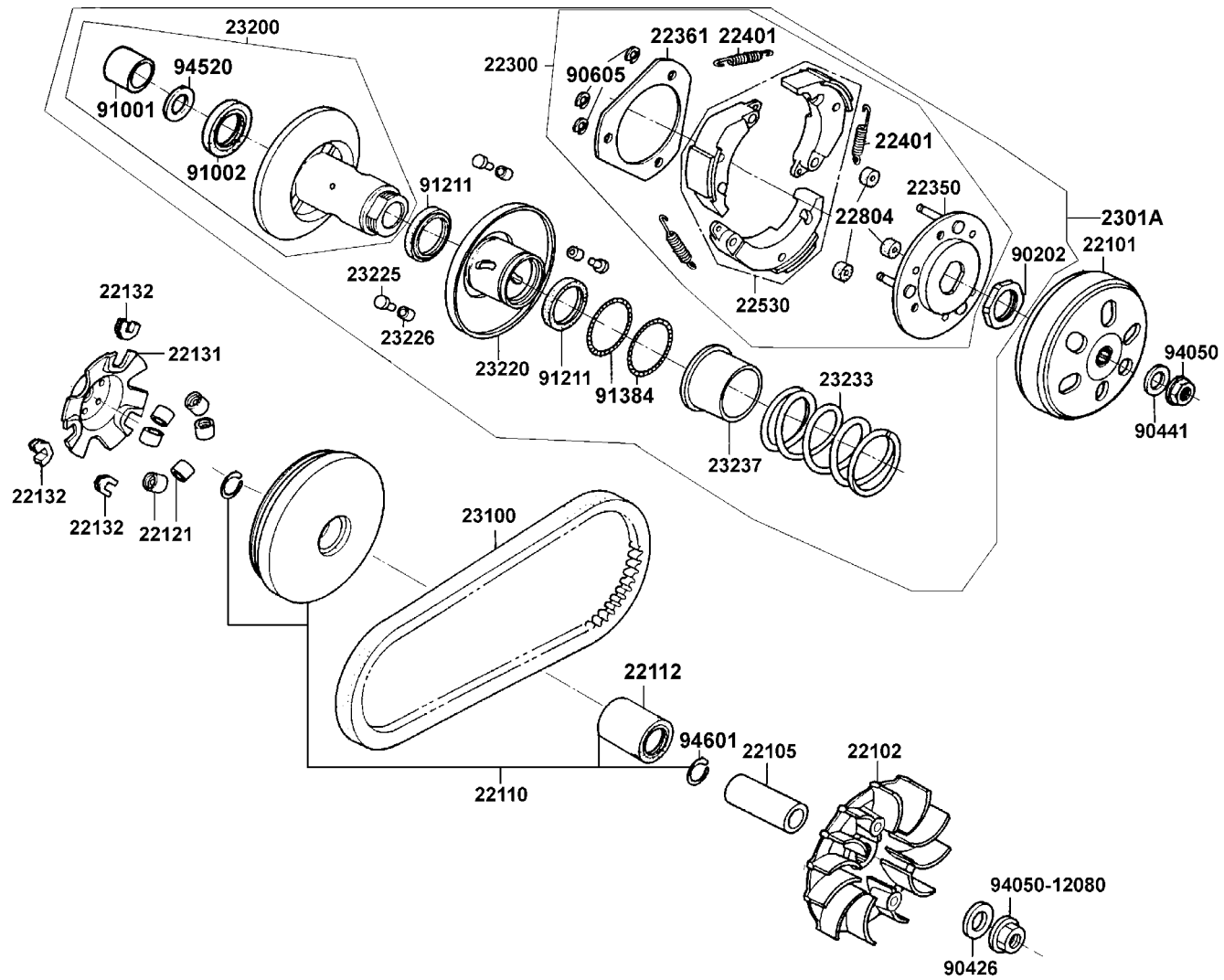
E 5

**E 6 Driven Pulley**



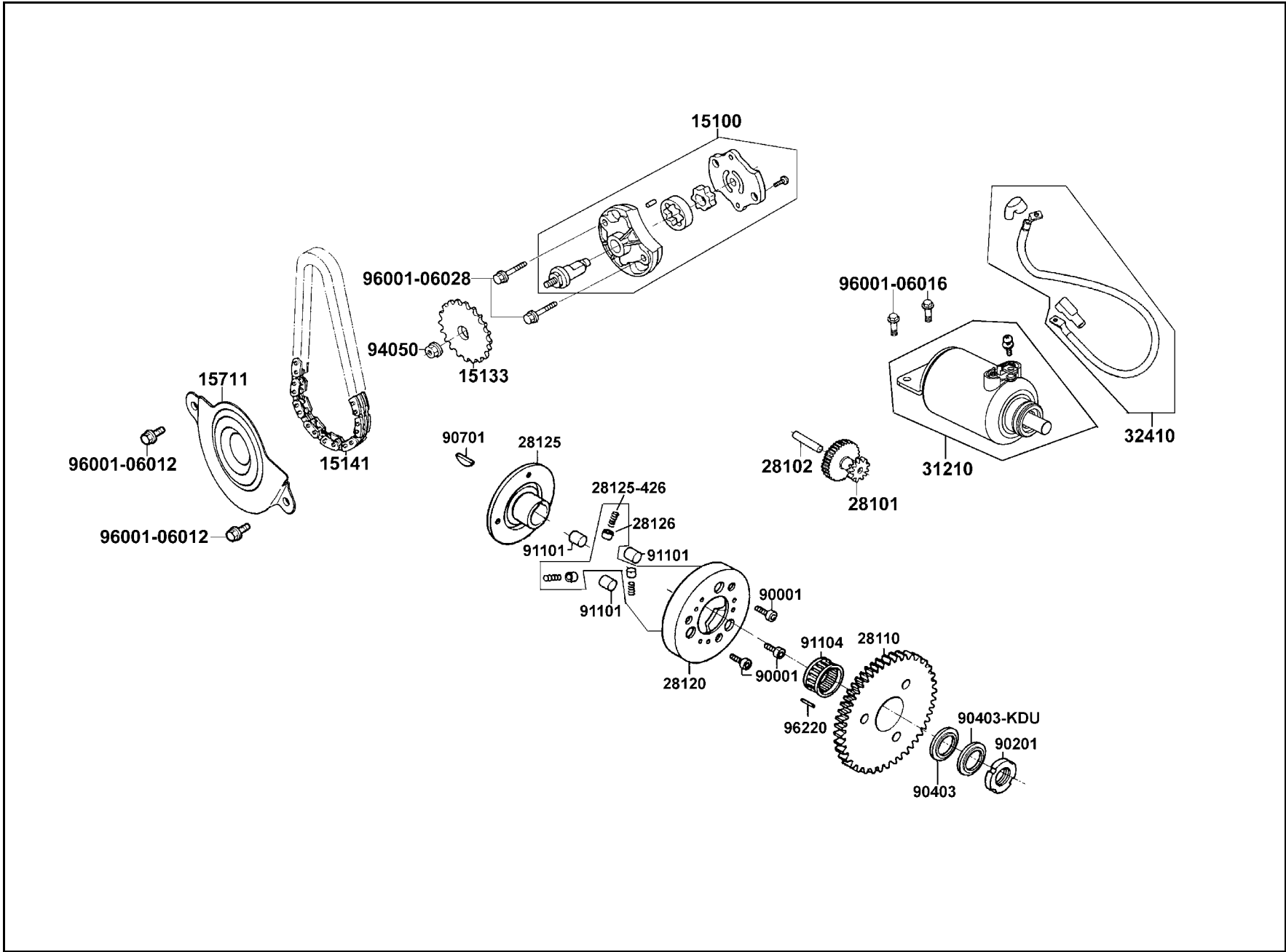
| 販賣記號       | 項目     | 零件號碼              | 版數  | 英文名稱                     | 中文名稱     | 需要用量    | 參考價       |
|------------|--------|-------------------|-----|--------------------------|----------|---------|-----------|
| Sales mark | Ref no | Part no           | Ver | Description              | Chinese  | Regd no | Ref Price |
| *          |        | 22101-KBE-9000    | 0   | OUTER CLUTCH             | 離合器外套    | 1       |           |
| *          |        | 22102-KKC3-9000   | 0   | FACE DRIVE               | 驅動皮帶扇葉盤  | 1       |           |
| *          |        | 22105-LLB1-900    | 0   | BOSS DRIVE FACE          | 襯套       | 1       |           |
| *          |        | 22110-KKC3-9000   | 0   | FACE COMP MOVABLE DRIVE  | 滑動式驅動盤組  | 1       |           |
| *          |        | 22112-KAA-9000-H1 | 0   | COLLAR DRIVE FACE        | 套筒       | 1       |           |
| *          |        | 22121-KAA-9000    | 2   | ROLLER COMP WEIGHT       | 配重滾子     | 6       |           |
| *          |        | 22131-KAA-9000    | 1   | PLATE RAMP               | 斜板       | 1       |           |
| *          |        | 22132-KN7-6700    | 3   | PIECE SLIDE              | 斜板邊件     | 3       |           |
| *          |        | 22300-LLB1-900    | 0   | PLATE ASSY DRIVE         | 驅動板組     | 1       |           |
| *          |        | 22350-KN7-6700    | 0   | PLATE COMP DRIVE         | 驅動板      | 1       |           |
| *          |        | 22361-KN7-6710    | 0   | PLATE CLUTCH SIDE        | 離合器舉升板   | 1       |           |
| *          |        | 22401-LLB1-900    | 0   | SPRING CLUTCH            | 離合器彈簧    | 3       |           |
| *          |        | 22530-KN7-6710    | 2   | WEIGHT CLUTCH            | 離合器配重    | 3       |           |
| *          |        | 22804-GB2-0010    | 0   | RUBBER CLUTCH DUMPER     | 橡皮       | 3       |           |
| *          |        | 2301A-LLB1-900    | 0   | PULLEY SUB ASSY          | 從動皮帶輪組   | 1       |           |
| *          |        | 23100-LLB1-90A    | 0   | BELT DRIVE               | 從動皮帶     | 1       |           |
| *          |        | 23200-KBE-9000    | 0   | FACE ASSY DRIVEN         | 平面轉動組    | 1       |           |
| *          |        | 23220-LLB1-900    | 0   | FACE COMP MOVABLE DRIVEN | 滑動式從動皮帶輪 | 1       |           |
| *          |        | 23225-GC8-0040    | 0   | PIN ROLLER GUIDE         | 滾導銷      | 3       |           |
| *          |        | 23226-GC8-0040    | 0   | ROLLER GUIDE             | 滾子       | 3       |           |

**E 6 Driven Pulley**



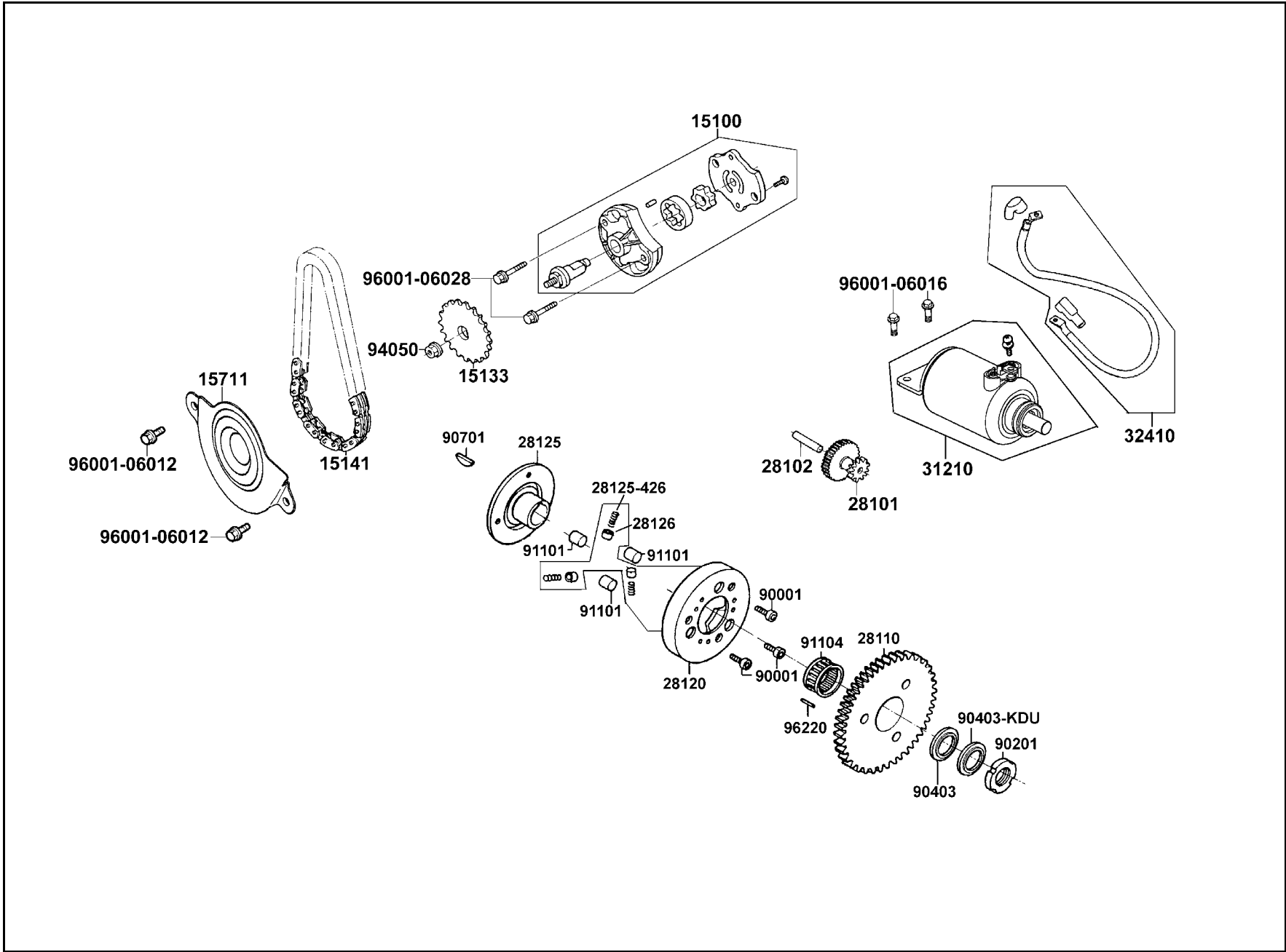
| 販賣記號       | 項目     | 零件號碼              | 版數  | 英文名稱                     | 中文名稱         | 需要用量    | 參考價       |
|------------|--------|-------------------|-----|--------------------------|--------------|---------|-----------|
| Sales mark | Ref no | Part no           | Ver | Description              | Chinese      | Regd no | Ref Price |
| *          |        | 23233-KN7-6710    | 0   | SPG DRIVEN FACE          | 驅動彈簧         | 1       |           |
| *          |        | 23237-KG8-9010    | 0   | COLLAR SEAL              | 套筒           | 1       |           |
| *          |        | 90202-KN7-6710    | 0   | NUT SPECIAL 28MM         | 螺帽 28MM      | 1       |           |
| *          |        | 90426-KBN-9010    | 0   | WASHER SPECIAL 12MM      | 華司 12MM      | 1       |           |
| *          |        | 90441-GY6-9410    | 0   | WASHER                   | 華司           | 1       |           |
| *          |        | 90605-166-7210    | 0   | CIR CLIP 7MM             | 環夾 7MM       | 3       |           |
| *          |        | 91001-GY6-9020-M1 | 0   | BRG NDL 20*29*18         | 軸承 20X29X18  | 1       |           |
| *          |        | 91002-GA7-7020-M1 | 0   | BRG BALL RADIAL 6902U    | 軸承 6902U     | 1       |           |
| *          |        | 91211-KBE-9000    | 0   | SEAL DRIVEN FACE 34*41*4 | 驅動油封 34X41X4 | 2       |           |
| *          |        | 91384-KBE-9000    | 0   | O-RING                   | O環           | 2       |           |
| *          |        | 94050-12080       | 0   | NUT FLANGE 12MM          | 螺帽 12MM      | 2       |           |
| *          |        | 94520-28000       | 0   | CIR CLIP IN 28           | 內環夾 28MM     | 1       |           |
| *          |        | 94601-33000       | 0   | CLIP PISTON PIN 33MM     | 環夾           | 1       |           |

**E 7 Staring Motor•Generator**



| 販賣記號       | 項目     | 零件號碼              | 版數  | 英文名稱                         | 中文名稱       | 需要用量    | 參考價       |
|------------|--------|-------------------|-----|------------------------------|------------|---------|-----------|
| Sales mark | Ref no | Part no           | Ver | Description                  | Chinese    | Regd no | Ref Price |
| *          |        | 15100-LLB1-900    | 0   | PUMP ASSY OIL                | 油泵         | 1       |           |
| *          |        | 15133-GY6-9010    | 0   | SPROCKET OIL PUMP DRIVE      | 機油泵驅動齒輪    | 1       |           |
| *          |        | 15141-KEC2-9000   | 0   | CHAIN OIL PUMP               | 機油泵驅動鏈條    | 1       |           |
| *          |        | 15711-LLB1-900    | 0   | OIL SEPARATER                | 機油分隔板      | 1       |           |
| *          |        | 28101-GY6-9010    | 0   | GEAR STARTER REDUCTION       | 起動減速齒輪     | 1       |           |
| *          |        | 28102-GY6-9010    | 0   | SHAFT STARTER REDUCTION GEAR | 起動減速齒輪軸    | 1       |           |
| *          |        | 28110-GY6-901     | 1   | GEAR COMP STARTING CLUTCH    | 起動齒輪       | 1       |           |
| *          |        | 28120-GY6-9000    | 5   | OUTER COMP STARTING CLUTCH   | 離合器外套      | 1       |           |
| *          |        | 28125-426-0010    | 0   | SPRING ROLLER STARTER CLUTCH | 離合器滾子彈簧    | 3       |           |
| *          |        | 28125-GY6-9010    | 1   | FLANGE STARTING CLUTCH       | 起動離合器盤     | 1       |           |
| *          |        | 28126-323-9000    | 0   | CAP STARTING ROLLER SPRING   | 滾子彈簧蓋      | 3       |           |
| *          |        | 31210-LLB1-900    | 0   | MOTOR UNIT START             | 起動馬達組      | 1       |           |
| *          |        | 32410-LLB1-900    | 0   | CABLE START MOTOR            | 起動馬達接地線    | 1       |           |
| *          |        | 90001-GY6-9010    | 1   | SOCKET BOLT 6*10             | 內六角螺絲 6X10 | 3       |           |
| *          |        | 90201-GY6-9010    | 0   | NUT LOCK 22MM                | 螺帽 22MM    | 2       |           |
| *          |        | 90403-KDU-9000    | 0   | WASHER THRUST 22.2*39*2.5    | 華司         | 1       |           |
| *          |        | 90403-LLB1-900    | 0   | WASHER THRUST 22.2*39*2.5    | 華司         | 1       |           |
| *          |        | 90701-GY6-9010    | 0   | PIN DOWEL 5*6                | 梢 5X6      | 1       |           |
| *          |        | 91101-179-7110-M1 | 0   | ROLLER 10*10                 | 滾子 10X10   | 3       |           |
| *          |        | 91104-GY6-9020-M1 | 0   | BRG NEEDLE 28*32*17          | 滾針軸承       | 1       |           |

**E 7 Staring Motor•Generator**

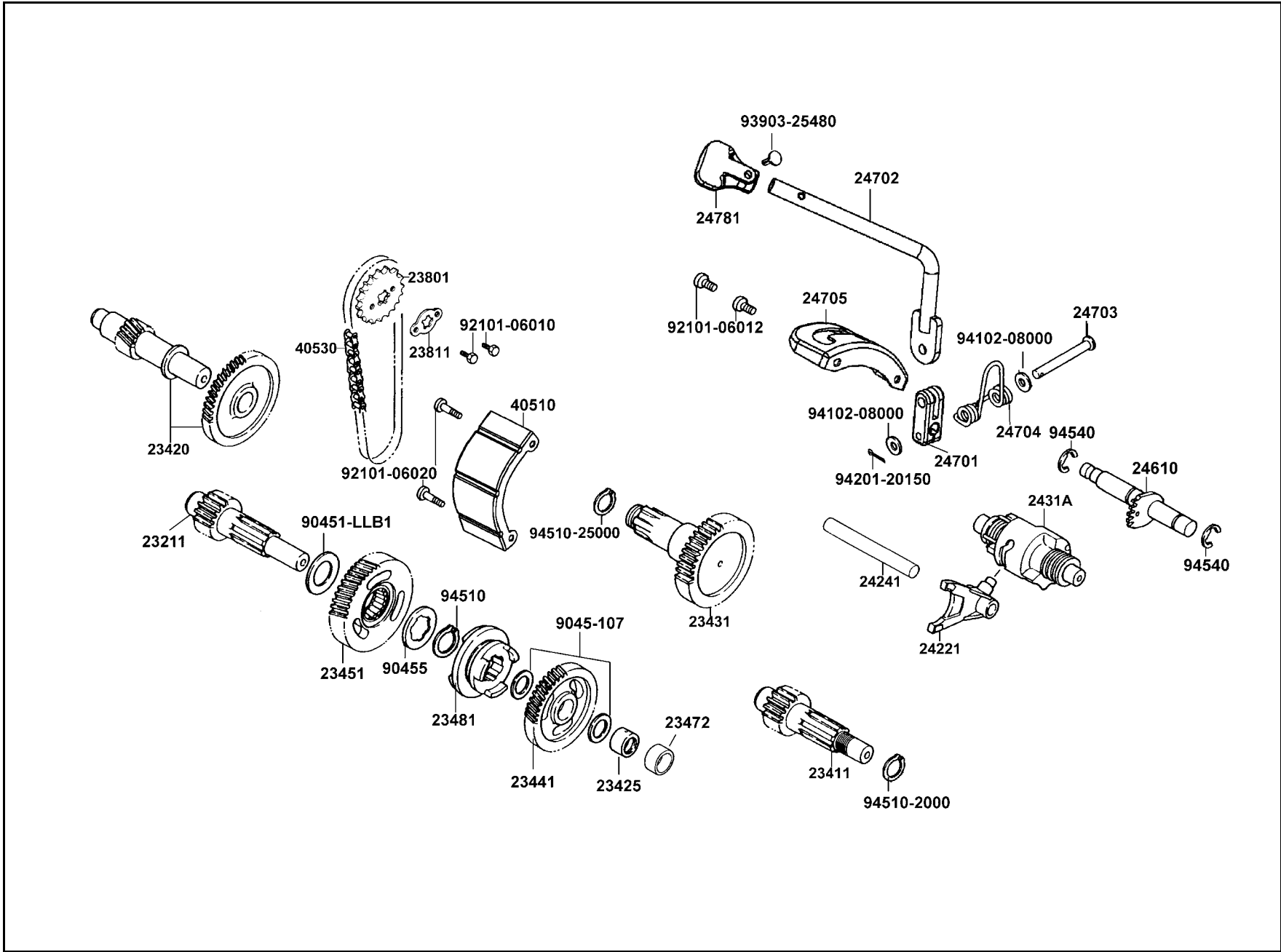




| 販賣記號       | 項目     | 零件號碼           | 版數  | 英文名稱                | 中文名稱     | 需要用量    | 參考價       |
|------------|--------|----------------|-----|---------------------|----------|---------|-----------|
| Sales mark | Ref no | Part no        | Ver | Description         | Chinese  | Regd no | Ref Price |
| *          |        | 94050-06080    | 0   | NUT FLANGE 6MM      | 螺帽 6MM   | 1       |           |
| *          |        | 96001-06012-08 | 0   | BOLT FLANGE SH 6*12 | 螺絲 6X12  | 2       |           |
| *          |        | 96001-06016-08 | 0   | BOLT FLANGE SH 6*16 | 螺絲 6X16  | 2       |           |
| *          |        | 96001-06028-08 | 0   | BOLT FLANGE SH 6*28 | 螺絲 6X28  | 2       |           |
| *          |        | 96220-60100    | 0   | ROLLER 6*10         | 定位銷 6X10 | 1       |           |

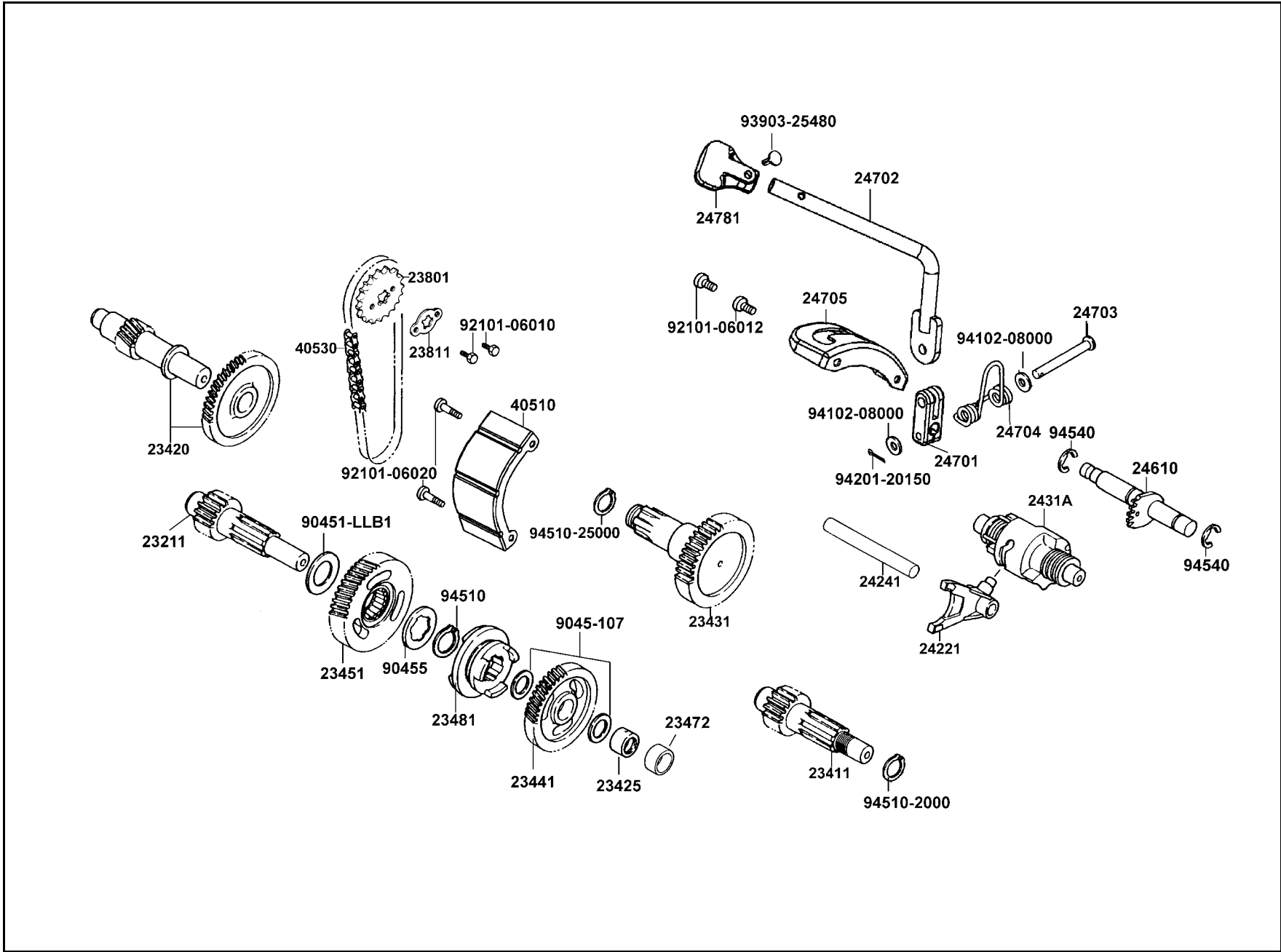
E 7

**E 8** Transmission



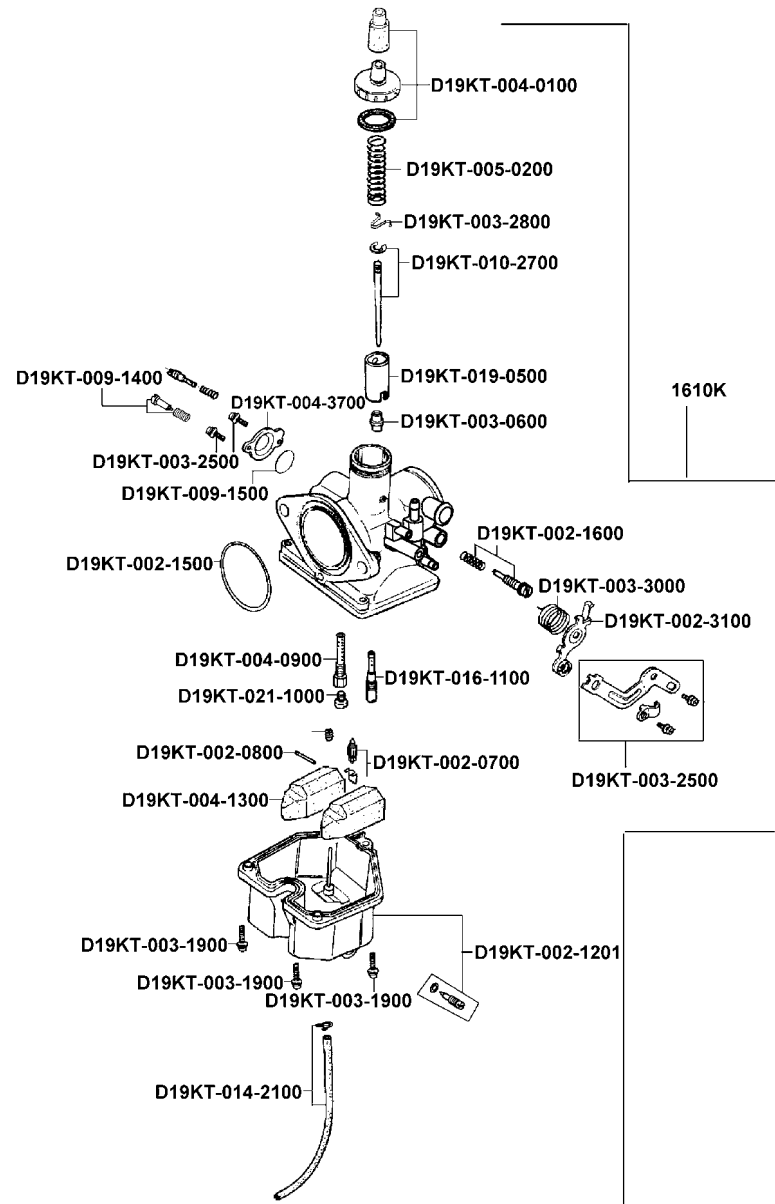
| 販賣記號       | 項目     | 零件號碼           | 版數  | 英文名稱                        | 中文名稱    | 需要用量    | 參考價       |
|------------|--------|----------------|-----|-----------------------------|---------|---------|-----------|
| Sales mark | Ref no | Part no        | Ver | Description                 | Chinese | Regd no | Ref Price |
| *          |        | 23211-LLB1-900 | 0   | SHAFT MAIN                  | 主軸      | 1       |           |
| *          |        | 23411-LLB1-900 | 0   | SHAFT DRIVE                 | 驅動軸     | 1       |           |
| *          |        | 23420-LLB1-900 | 0   | SHAFT COMP COUNTER          | 計數軸     | 1       |           |
| *          |        | 23425-LLB1-900 | 0   | BUSH 15MM                   | 襯套      | 1       |           |
| *          |        | 23431-LLB1-900 | 0   | SHAFT FINAL                 | 最終軸     | 1       |           |
| *          |        | 23441-LLB1-900 | 0   | GEAR FORWARD                | 向前齒輪    | 1       |           |
| *          |        | 23451-LLB1-900 | 0   | GEAR BACKWARD               | 向後齒輪    | 1       |           |
| *          |        | 23472-LLB1-900 | 0   | COLLAR 15*20*11             | 套筒      | 1       |           |
| *          |        | 23481-LLB1-900 | 0   | SHIFT MAIN                  | 主轉動     | 1       |           |
| *          |        | 23801-LLB1-900 | 0   | SPROCKET DRIVE 14T          | 驅動扣鏈齒輪  | 1       |           |
| *          |        | 23811-LLB1-900 | 0   | PLATE A2 FIXING             | 固定薄板    | 1       |           |
| *          |        | 24221-LLB1-900 | 0   | FORK GEAR SHIFT             | 轉動前叉齒輪  | 1       |           |
| *          |        | 24241-KGB4-C00 | 0   | SHAFT GEAR SHIFT FORK GUIDE | 變換叉軸    | 1       |           |
| *          |        | 2431A-LLB1-900 | 0   | DRUM ASSY GEAR SHIFT        | 轉動鼓輪    | 1       |           |
| *          |        | 24610-LLB1-900 | 0   | SPINDLE ASSY DRUM SHIFT     | 齒輪變換軸   | 1       |           |
| *          |        | 24701-LLB1-900 | 0   | GEAR CHANGE HANDLE          | 換檔齒輪把手  | 1       |           |
| *          |        | 24702-LLB1-900 | 0   | BAR CHANGE HANDLE           | 換檔把手橫條  | 1       |           |
| *          |        | 24703-LLB1-900 | 0   | PIN CHANGE HANDLE           | 換檔把手梢   | 1       |           |
| *          |        | 24704-LLB1-900 | 0   | SPRING CHANGE HANDLE        | 換檔把手彈簧  | 1       |           |
| *          |        | 24705-LLB1-900 | 0   | GUIDE STAY CHANGE HANDLE    | 換檔把手支架  | 1       |           |

**E 8** Transmission



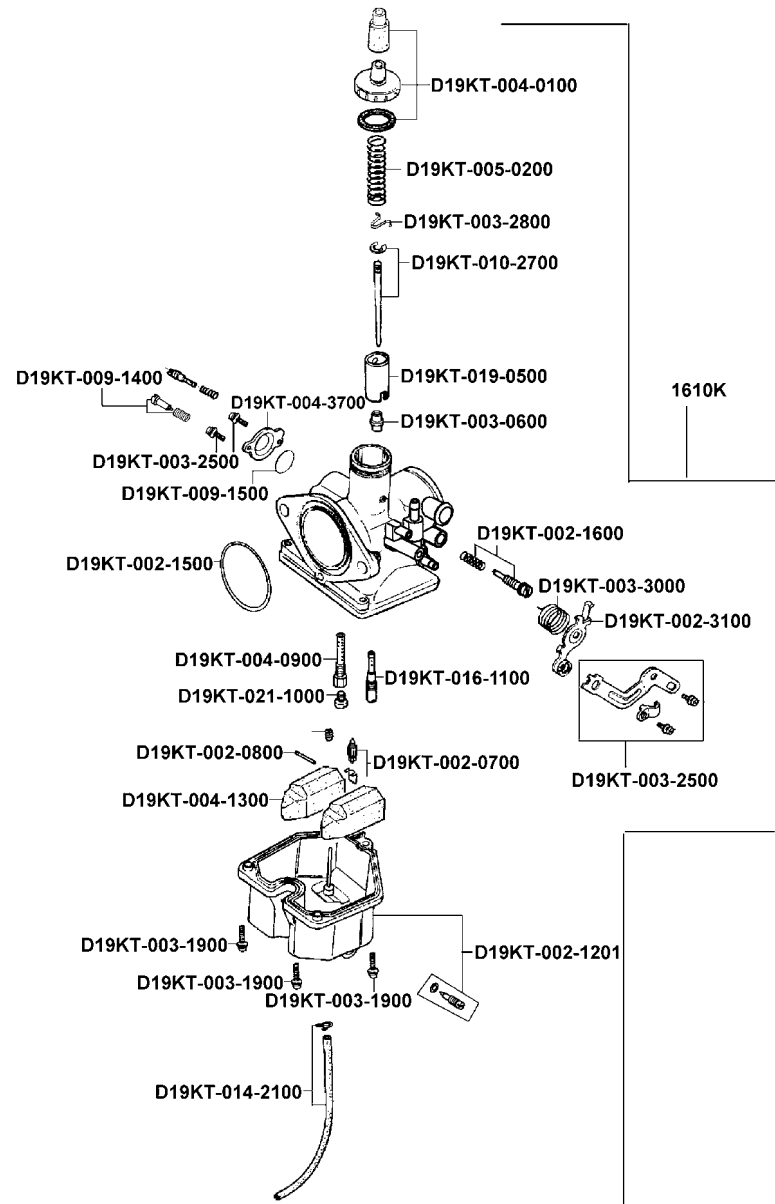
| 販賣記號       | 項目     | 零件號碼           | 版數  | 英文名稱                 | 中文名稱    | 需要用量    | 參考價       |
|------------|--------|----------------|-----|----------------------|---------|---------|-----------|
| Sales mark | Ref no | Part no        | Ver | Description          | Chinese | Regd no | Ref Price |
| *          |        | 24781-LLB1-900 | 0   | RUBBER CHANGE HANDLE | 換檔把手橡皮  | 1       |           |
| *          |        | 40510-LLB1-900 | 0   | COVER CHAIN          | 驅動外蓋    | 1       |           |
| *          |        | 40530-LLB1-900 | 0   | CHAIN DRIVE          | 驅動鍊條    | 1       |           |
| *          |        | 90451-107-0000 | 1   | WASHER THRUST 15MM   | 華司 15MM | 1       |           |
| *          |        | 90451-LLB1-900 | 0   | WASHER THRUST 22MM   | 華司      | 1       |           |
| *          |        | 90455-LLB1-900 | 0   | WASHER SPLINE 22MM   | 齒條華司    | 1       |           |
| *          |        | 91107-LLB1-900 | 0   | BRG NEEDLE 30*42*17  | 軸承      | 1       |           |
| *          |        | 92101-06010-0A | 0   | BOLT HEX 6*10        | 螺絲 6X10 | 2       |           |
| *          |        | 92101-06012-0H | 0   | BOLT HEX 6*12        | 螺絲 6X12 | 2       |           |
| *          |        | 93903-25480    | 0   | SCREW TAPPING 5*20   | 螺釘 5X20 | 1       |           |
| *          |        | 94102-08000    | 0   | WASHER PLAIN 8MM     | 華司 8MM  | 2       |           |
| *          |        | 94201-20150    | 0   | PIN SPLIT 2*15       | 插銷      | 1       |           |
| *          |        | 94540-12028    | 0   | E RING 12            | E型環     | 2       |           |
| *          |        | 94510-20000    | 0   | CIR CLIP EX20        | 環夾      | 1       |           |
| *          |        | 94510-22000    | 0   | CIR CLIP EX 22MM     | 環夾      | 1       |           |
| *          |        | 94510-25000    | 0   | CIR CLIP EX 25MM     | 環夾      | 1       |           |

**E 9** Carburetor



| 販賣記號       | 項目     | 零件號碼           | 版數  | 英文名稱              | 中文名稱    | 需要用量    | 參考價       |
|------------|--------|----------------|-----|-------------------|---------|---------|-----------|
| Sales mark | Ref no | Part no        | Ver | Description       | Chinese | Regd no | Ref Price |
| *          |        | 1610K-LLB1-900 | 0   | CARBURETOR ASSY   | 化油器     | 1       |           |
| *          |        | D19KT-002-0700 | 0   | FLOAT VALVE SET   | 浮筒閥     | 1       |           |
| *          |        | D19KT-002-0800 | 0   | ARM PIN           | 浮筒閥臂銷   | 1       |           |
| *          |        | D19KT-002-1201 | 0   | FLOAT CHAMBER SET | 浮筒室組    | 1       |           |
| *          |        | D19KT-002-1500 | 0   | O-RING            | O環      | 1       |           |
| *          |        | D19KT-002-1600 | 0   | SCREW SET (S.S)   | 螺絲組     | 1       |           |
| *          |        | D19KT-002-3100 | 0   | CHOKE LEVER       | 阻風拉柄    | 1       |           |
| *          |        | D19KT-003-0600 | 0   | NEEDLE JET        | 小噴油嘴    | 1       |           |
| *          |        | D19KT-003-1900 | 0   | SCREW WASHER      | 螺絲      | 3       |           |
| *          |        | D19KT-003-2500 | 0   | SCREW WASHER      | 螺絲      | 1       |           |
| *          |        | D19KT-003-2800 | 0   | NEEDLE CLIP PLATE | 鉤       | 1       |           |
| *          |        | D19KT-003-3000 | 0   | SPG COMPR         | 彈簧      | 1       |           |
| *          |        | D19KT-004-0100 | 0   | TOP SET           | 真空活塞閥蓋  | 1       |           |
| *          |        | D19KT-004-0900 | 0   | NEEDLE JET HOLDER | 油針支座    | 1       |           |
| *          |        | D19KT-004-1300 | 0   | FLOAT COMP        | 浮筒組     | 1       |           |
| *          |        | D19KT-004-3700 | 0   | DIAPHRAGM COVER   | 阻風蓋     | 1       |           |
| *          |        | D19KT-005-0200 | 0   | SPG COMPR         | 彈簧      | 1       |           |
| *          |        | D19KT-009-1400 | 0   | SCREW SET (A.S)   | 螺絲組     | 1       |           |
| *          |        | D19KT-009-1500 | 0   | O-RING            | O環      | 1       |           |
| *          |        | D19KT-010-2700 | 0   | JET NEEDLE SET    | 油針      | 1       |           |

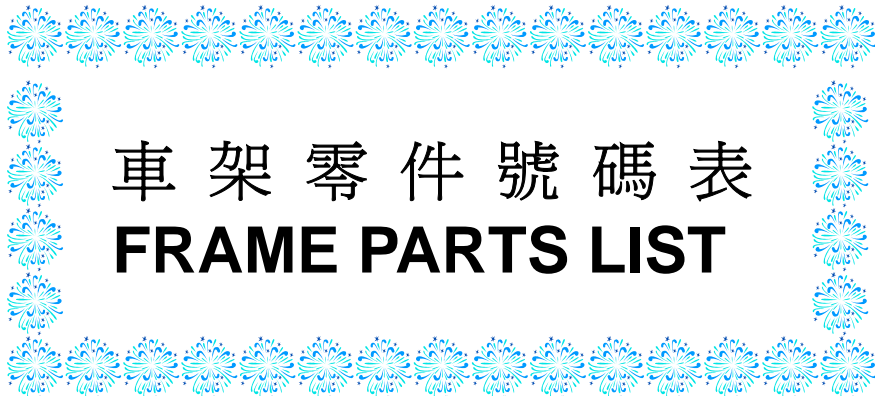
# E 9 Carburetor





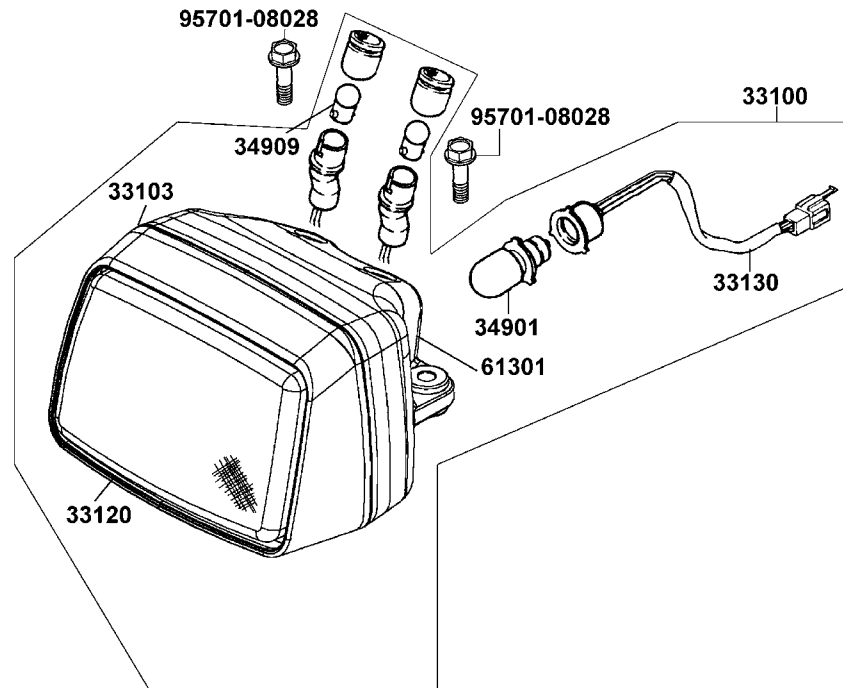
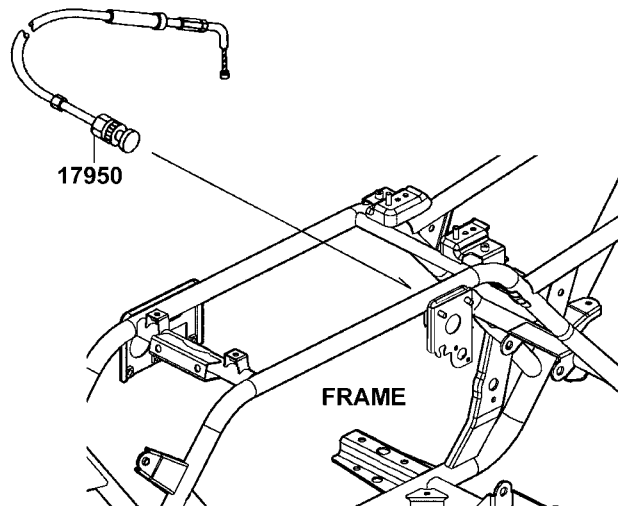
E 9

| 販賣記號<br>Sales mark | 項目<br>Ref no | 零件號碼<br>Part no | 版數<br>Ver | 英文名稱<br>Description | 中文名稱<br>Chinese | 需要用量<br>Regd no | 參考價<br>Ref Price |
|--------------------|--------------|-----------------|-----------|---------------------|-----------------|-----------------|------------------|
| *                  |              | D19KT-014-2100  | 0         | TUBE SET            | 溢流管             | 1               |                  |
| *                  |              | D19KT-016-1100  | 0         | SLOW JET            | 慢速噴油嘴           | 1               |                  |
| *                  |              | D19KT-019-0500  | 0         | THROTTLE            | 節流閥             | 1               |                  |
| *                  |              | D19KT-021-1000  | 0         | MAIN JET            | 主噴油嘴            | 1               |                  |



車架零件號碼表  
**FRAME PARTS LIST**

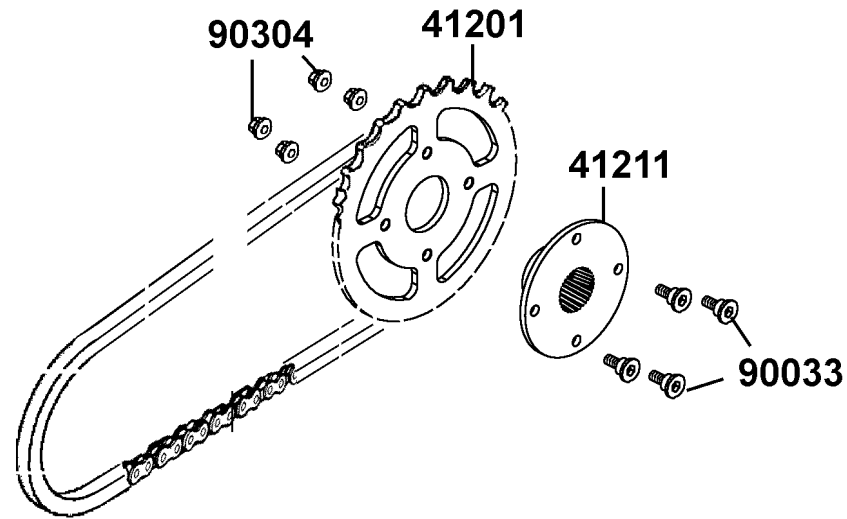
**F 1** Head Light



| 販賣記號       | 項目     | 零件號碼            | 版數  | 英文名稱               | 中文名稱    | 需要用量    | 參考價       |
|------------|--------|-----------------|-----|--------------------|---------|---------|-----------|
| Sales mark | Ref no | Part no         | Ver | Description        | Chinese | Regd no | Ref Price |
| *          |        | 17950-LLB1-900  | 0   | CABLE COMP CHOKE   | 阻風門導線   | 1       |           |
| *          |        | 33100-LLB1-900  | 0   | LIGHT ASSY HEAD    | 前燈總成    | 1       |           |
| *          |        | 33103-LLB1-900  | 0   | RIM HEAD LIGHT     | 前燈框     | 1       |           |
| *          |        | 33120-LLB1-900  | 0   | UNIT HEAD LIGHT    | 前燈殼     | 1       |           |
| *          |        | 33130-LLB1-900  | 0   | SOCKET COMP        | 前燈配線    | 1       |           |
| *          |        | 34901-KFA6-9000 | 0   | BULB HEAD LIGHT    | 前燈泡     | 1       |           |
| *          |        | 34909-LLB1-900  | 0   | BULB WEDGE BASE T5 | 燈泡      | 2       |           |
| *          |        | 61301-LLB1-900  | 0   | CASE HEAD LIGHT    | 前燈箱     | 1       |           |
| *          |        | 95701-08028-07  | 0   | BOLT FLANGE 8*28   | 螺絲 8*28 | 2       |           |

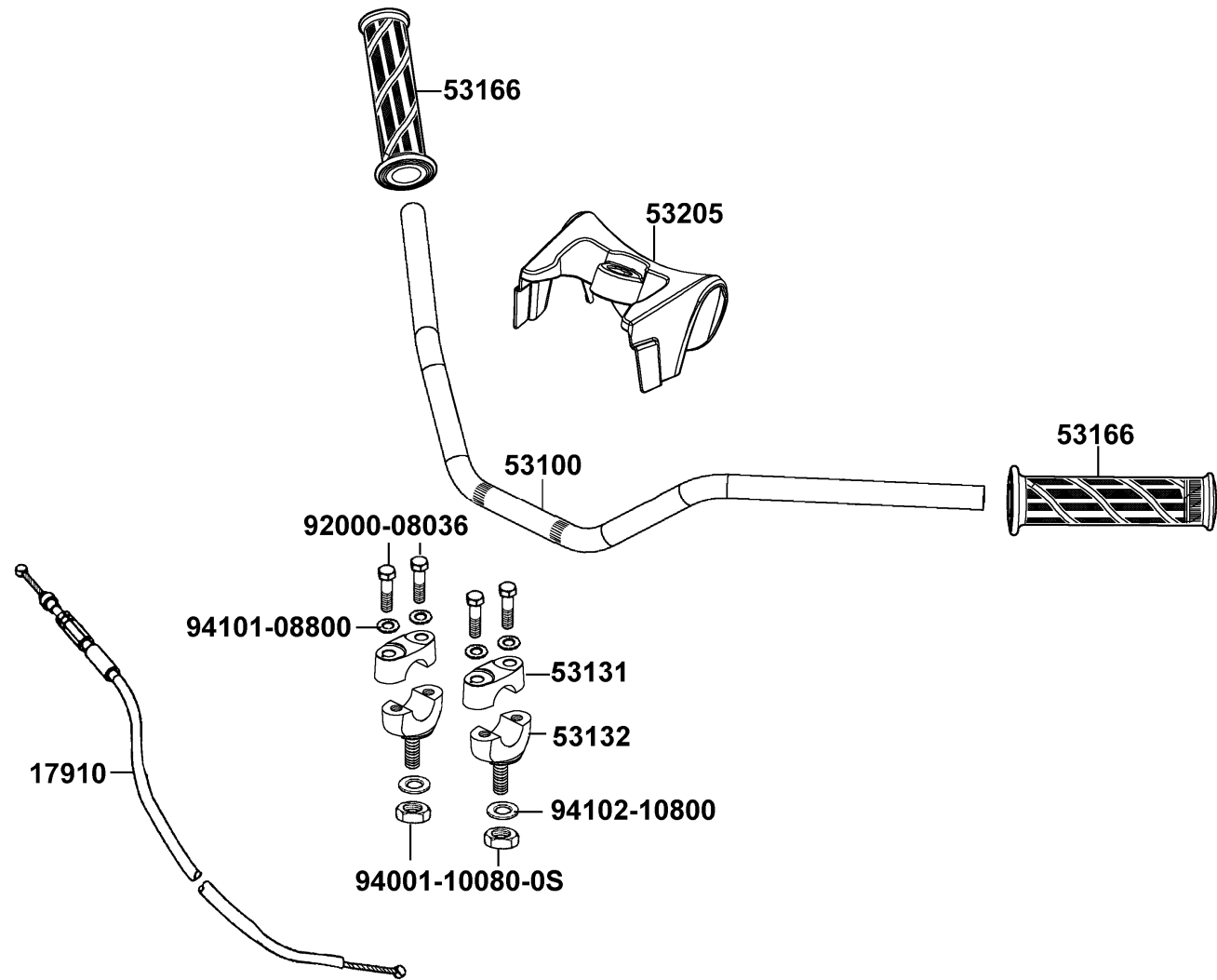
F 1

**F 2 Sprkt Final Drive**



| 販賣記號<br>Sales mark | 項目<br>Ref no | 零件號碼<br>Part no   | 版數<br>Ver | 英文名稱<br>Description | 中文名稱<br>Chinese | 需要用量<br>Regd no | 參考價<br>Ref Price |
|--------------------|--------------|-------------------|-----------|---------------------|-----------------|-----------------|------------------|
| *                  |              | 41201-LLB1-900    | 0         | SPRKT FINAL DRIVEN  | 最終扣鏈齒輪          | 1               |                  |
| *                  |              | 41211-LLB1-900    | 0         | HOLDER SPROCKET     | 固定座扣鏈齒輪         | 1               |                  |
| *                  |              | 90033-LLB1-900    | 0         | BOLT STUD 10*20     | 螺絲 10X20        | 4               |                  |
| *                  |              | 90304-GW0-9020-M2 | 0         | NUT FLANGE 10MM     | 螺帽 10MM         | 4               |                  |

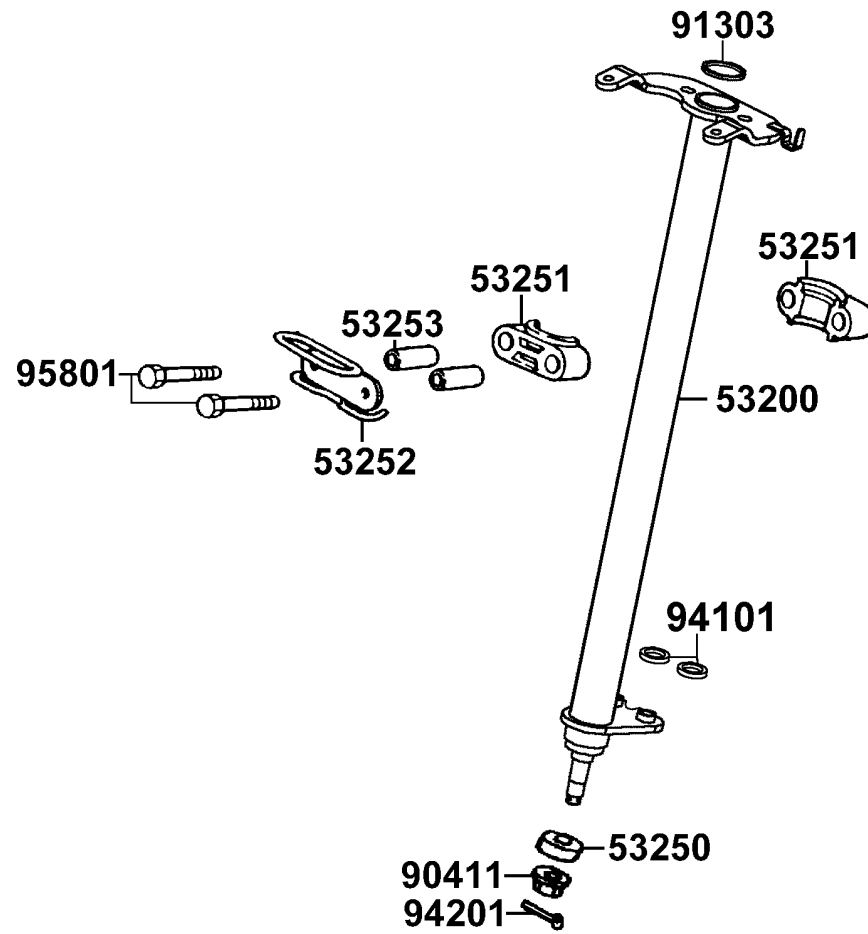
**F 3 Handle Steering**



| 販賣記號       | 項目     | 零件號碼           | 版數  | 英文名稱                     | 中文名稱    | 需要用量    | 參考價       |
|------------|--------|----------------|-----|--------------------------|---------|---------|-----------|
| Sales mark | Ref no | Part no        | Ver | Description              | Chinese | Regd no | Ref Price |
| *          |        | 17910-LLB1-900 | 0   | CABLE COMP THROT         | 節流導線    | 1       |           |
| *          |        | 53100-LLB1-900 | 0   | HANDLE PIPE STRG         | 轉向手柄    | 1       |           |
| *          |        | 53131-439-0010 | 0   | HOLDER HANDLE PIPE       | 手柄固定上座  | 2       |           |
| *          |        | 53132-LLB1-900 | 0   | HOLDER UNDER HANDLE PIPE | 手柄固定下座  | 2       |           |
| *          |        | 53166-KC5-0010 | 0   | GRIP L HANDLE            | 手柄左橡皮套  | 2       |           |
| **         |        | 53205-LLB1-900 | 0   | COVER HNDL               | 手柄蓋     | 1       |           |
| *          |        | 92000-08036-0H | 0   | BOLT HEX 8*36            | 螺絲 8X36 | 4       |           |
| *          |        | 94001-10080-0S | 0   | NUT HEX 10MM             | 螺帽 10MM | 2       |           |
| *          |        | 94101-08800    | 0   | WASHER PLAIN 8MM         | 華司 8MM  | 4       |           |
| *          |        | 94102-10800    | 0   | WASHER PLAIN 10MM        | 華司 10MM | 2       |           |



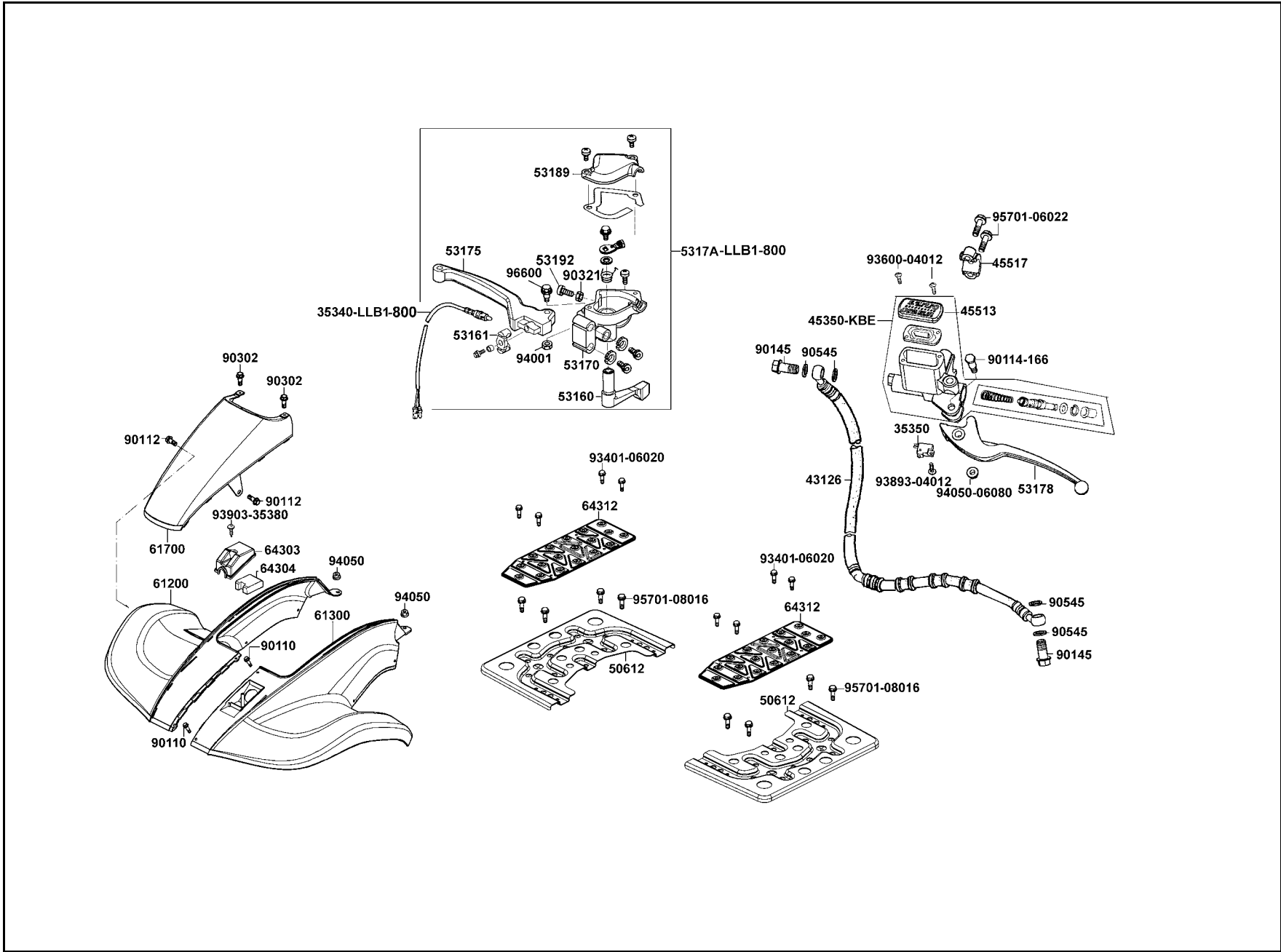
**F 4 Stem Strg**



| 販賣記號       | 項目     | 零件號碼           | 版數  | 英文名稱                   | 中文名稱     | 需要用量    | 參考價       |
|------------|--------|----------------|-----|------------------------|----------|---------|-----------|
| Sales mark | Ref no | Part no        | Ver | Description            | Chinese  | Regd no | Ref Price |
| *          |        | 53200-LLB1-900 | 0   | STEM COMP STRG         | 轉向桿      | 1       |           |
| *          |        | 53250-LLB1-900 | 0   | COLLAR STEM BOTTOM     | 轉向桿套筒    | 1       |           |
| *          |        | 53251-LLB1-900 | 0   | HOLDER STEM STRG       | 轉向桿固定座   | 2       |           |
| *          |        | 53252-LLB1-900 | 0   | CLAMPER STEM HOLDER    | 轉向桿固定座夾  | 1       |           |
| *          |        | 53253-LLB1-900 | 0   | COLLAR STEM HOLDER     | 轉向桿固定座套筒 | 2       |           |
| *          |        | 91303-LLB1-900 | 0   | O-RING 38.1*1.5        | O環       | 4       |           |
| *          |        | 94011-LLB1-900 | 0   | NUT FLANGE CASTLE 14MM | 螺帽 14MM  | 1       |           |
| *          |        | 94101-10800    | 0   | WASHER PLAIN 10MM      | 華司 10MM  | 2       |           |
| *          |        | 94201-30300    | 0   | PIN SPLIT 3*30         | 插銷       | 1       |           |
| *          |        | 95801-08060-07 | 0   | BOLT FLANGE 8*60       | 螺絲 8*60  | 2       |           |

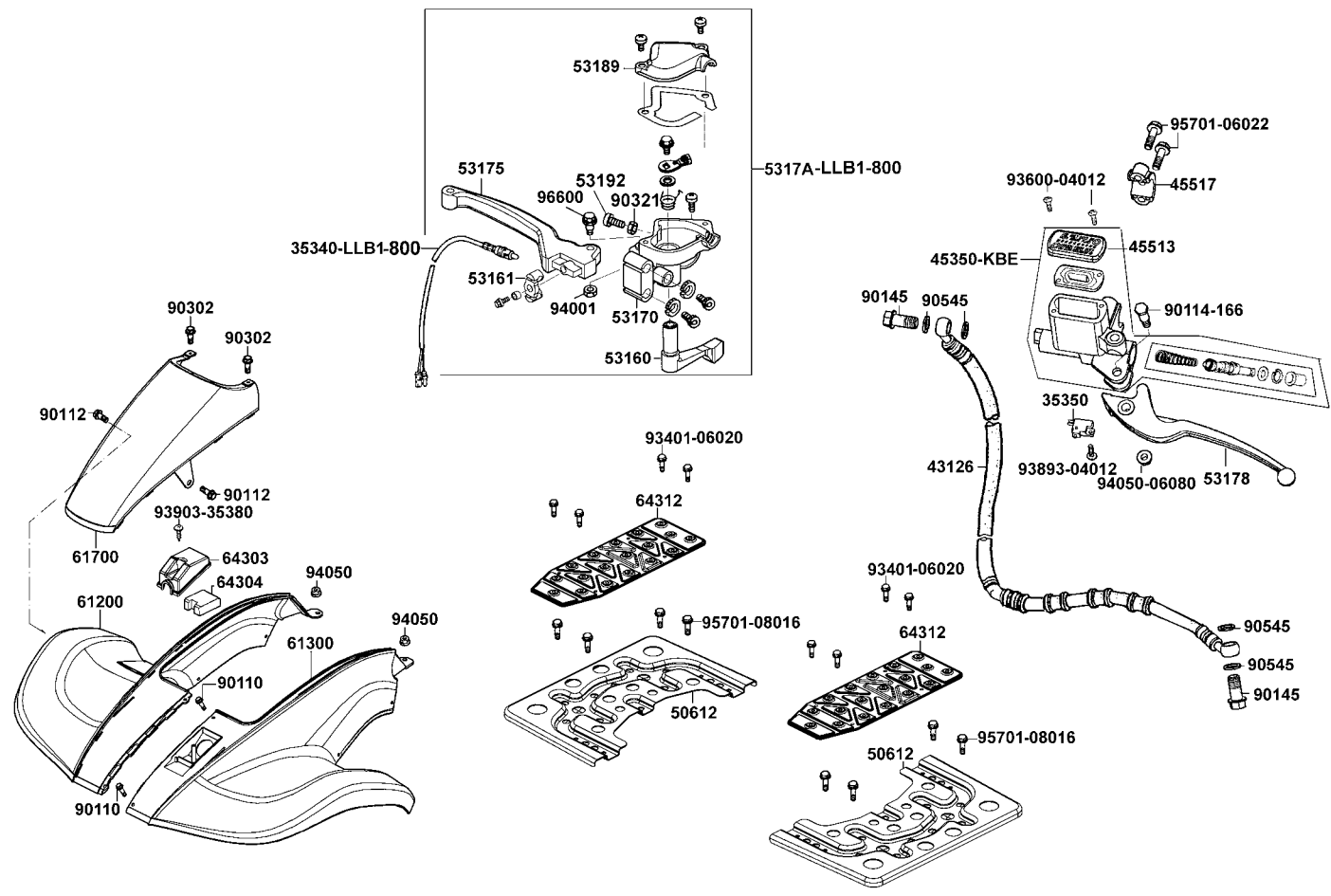
F 4

**F 5 Front Cover•Floor Panel**



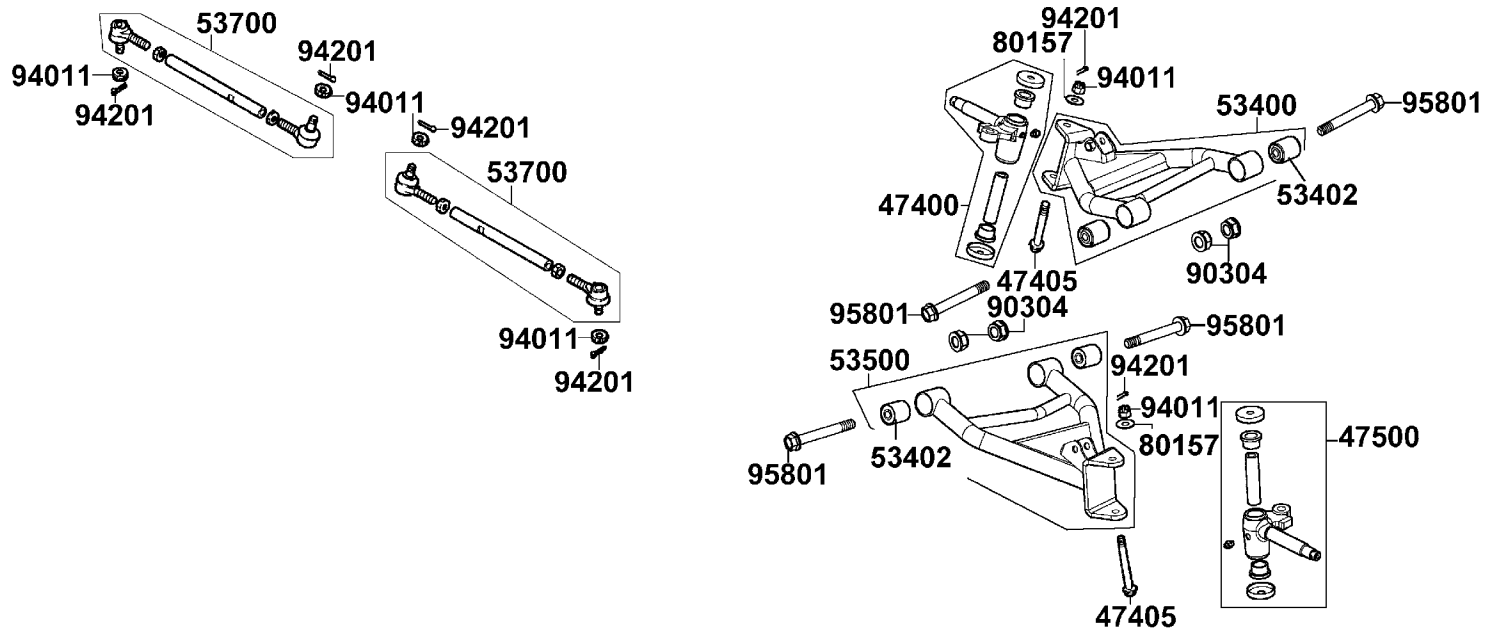
| 販賣記號       | 項目     | 零件號碼              | 版數  | 英文名稱                  | 中文名稱    | 需要用量    | 參考價       |
|------------|--------|-------------------|-----|-----------------------|---------|---------|-----------|
| Sales mark | Ref no | Part no           | Ver | Description           | Chinese | Regd no | Ref Price |
| *          |        | 35340-LLB1-800    | 0   | SW ASSY FR STOP       | 煞車燈開關   | 1       |           |
| *          |        | 35350-KBN-9000    | 0   | SW ASSY RR STOP       | 煞車燈後置開關 | 1       |           |
| *          |        | 43126-LLB1-800    | 0   | HOSE ASSY RR BRAKE    | 煞車油管    | 1       |           |
| *          |        | 45350-KBE-3050    | 0   | CYLN SET MASTER       | 煞車主油缸   | 1       |           |
| *          |        | 45513-GW0-9120-M1 | 0   | CAP MASTER CYLINDER   | 煞車主油缸蓋  | 1       |           |
| *          |        | 45517-KAF-9100    | 0   | HOLDER M/C            | 主油缸固定座  | 1       |           |
| *          |        | 50612-LLB1-900    | 0   | RNFCT FLOOR           | 腳踏板     | 2       |           |
| *          |        | 53160-LLB1-800    | 0   | LEVER CHOKE           | 阻風拉桿    | 1       |           |
| *          |        | 53161-LLB1-900    | 0   | EQUALIZER BRAKE CABLE | 煞車導線座   | 1       |           |
| *          |        | 53170-LLB1-800    | 0   | BRKT HANDLE R         | 手柄右托架   | 1       |           |
| *          |        | 53175-LLB1-800    | 0   | LEVER R STRG HANDLE   | 手柄右拉桿   | 1       |           |
| *          |        | 53178-KBE-9000    | 0   | LEVER L STRG HNDL     | 手柄左拉桿   | 1       |           |
| *          |        | 5317A-LLB1-800    | 0   | BRKT ASSY HANDLE R    | 手柄右托架組  | 1       |           |
| *          |        | 53189-LLB1-800    | 0   | COVER BRKT R          | 手柄右托架蓋  | 1       |           |
| *          |        | 53192-LLB1-800    | 0   | BOLT WIRE ADJUST      | 調整螺絲    | 1       |           |
| **         |        | 61200-LLB1-900    | 0   | FENDER R FR           | 右前土除    | 1       |           |
| **         |        | 61300-LLB1-900    | 0   | FENDER L FR           | 左前土除    | 1       |           |
| **         |        | 61700-LLB1-900    | 0   | COVER FR              | 前外蓋     | 1       |           |
| *          |        | 64303-LLB1-900    | 0   | COVER CVT ELEMENT     | 變壓器海綿蓋  | 1       |           |
| *          |        | 64304-LLB1-900    | 0   | CVT ELEMENT           | 變壓器海綿   | 1       |           |

**F 5 Front Cover•Floor Panel**



| 販賣記號<br>Sales mark | 項目<br>Ref no | 零件號碼<br>Part no   | 版數<br>Ver | 英文名稱<br>Description | 中文名稱<br>Chinese | 需要用量<br>Regd no | 參考價<br>Ref Price |
|--------------------|--------------|-------------------|-----------|---------------------|-----------------|-----------------|------------------|
| *                  |              | 64312-LLB1-900    | 0         | COVER FLOOR         | 腳踏板蓋            | 2               |                  |
| *                  |              | 90110-LLB1-900    | 0         | SCREW SPECIAL 6*16  | 螺絲 6X16         | 2               |                  |
| *                  |              | 90112-KBN-9010    | 0         | BOLT FLANGE 6MM     | 螺絲 6MM          | 2               |                  |
| *                  |              | 90114-166-0070    | 1         | BOLT HANDLE LEVER   | 拉桿固定螺絲          | 1               |                  |
| *                  |              | 90145-MS9-6120-M1 | 0         | OIL BOLT 10*22      | 油管螺絲            | 2               |                  |
| *                  |              | 90302-GY6-9400    | 0         | BOLT-WASHER 5*16    | 螺絲 5X16         | 2               |                  |
| *                  |              | 90321-LLB1-900    | 0         | NUT FIXING          | 調整螺帽            | 1               |                  |
| *                  |              | 90545-300-0010    | 2         | WASHER OIL BOLT     | 油管華司            | 4               |                  |
| *                  |              | 93401-06020-07    | 0         | BOLT WASHER 6*20    | 螺絲 6X20         | 8               |                  |
| *                  |              | 93600-04012-1G    | 0         | SCREW FLAT 4*12     | 螺絲 4X12         | 2               |                  |
| *                  |              | 93893-04012-18    | 0         | SCREW WASHER 4*12   | 螺絲 4X12         | 1               |                  |
| *                  |              | 93903-35380       | 0         | SCREW TAPPING 5*16  | 螺絲 5X16         | 1               |                  |
| *                  |              | 94001-05000-0S    | 0         | NUT HEX 5MM         | 螺帽 5MM          | 1               |                  |
| *                  |              | 94050-06080       | 0         | NUT FLANGE 6MM      | 螺帽 6MM          | 3               |                  |
| *                  |              | 95701-06022-07    | 0         | BOLT FLANGE 6*22    | 螺絲 6X22         | 2               |                  |
| *                  |              | 95701-08016-07    | 0         | BOLT FLANGE 8*16    | 螺絲 8X16         | 8               |                  |

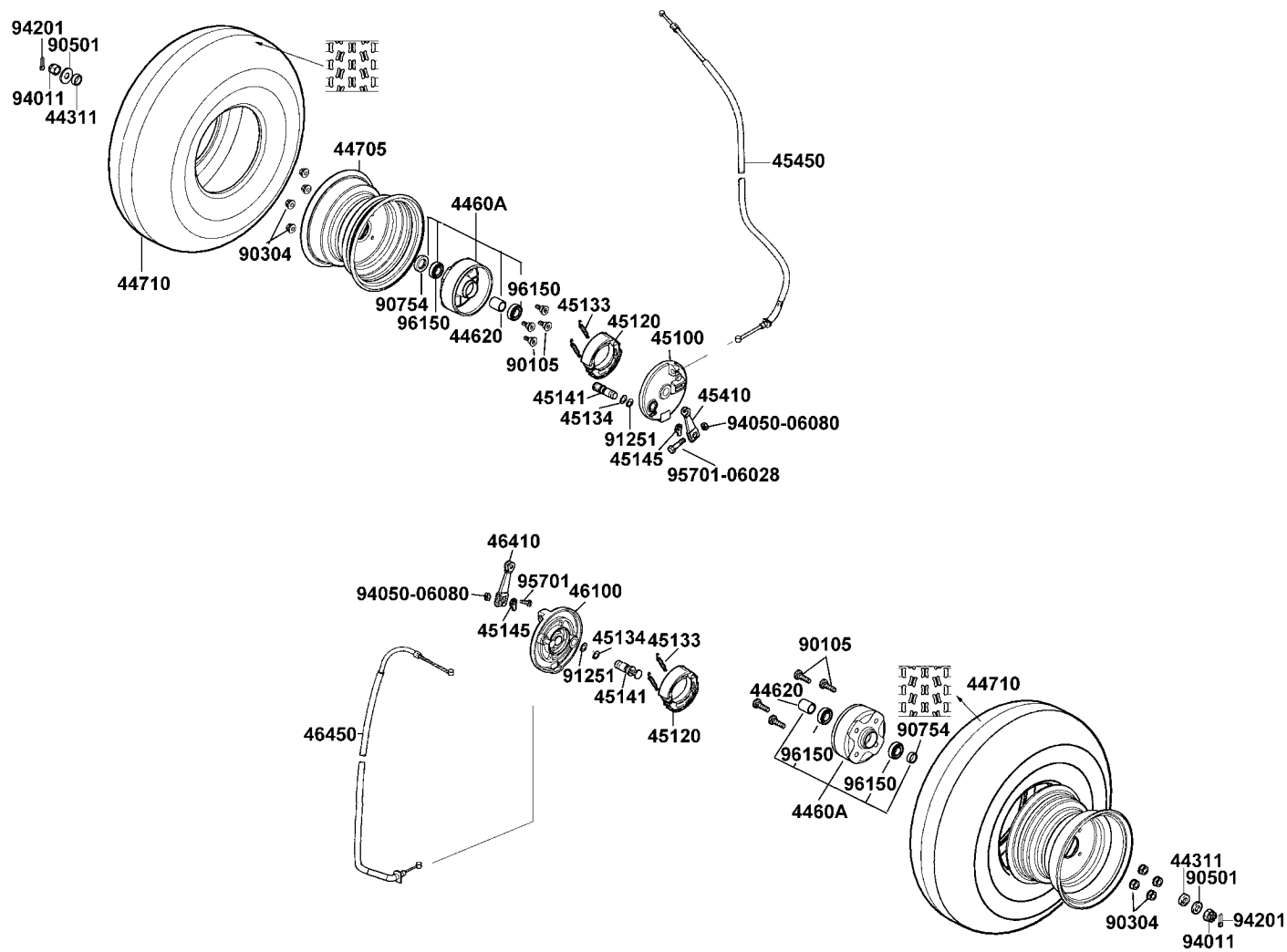
**F 6** Swing Arm



| 販賣記號       | 項目     | 零件號碼              | 版數  | 英文名稱                  | 中文名稱      | 需要用量    | 參考價       |
|------------|--------|-------------------|-----|-----------------------|-----------|---------|-----------|
| Sales mark | Ref no | Part no           | Ver | Description           | Chinese   | Regd no | Ref Price |
| *          |        | 47400-LLB1-900    | 0   | SHAFT ASSY R STEERING | 右轉向軸組     | 1       |           |
| *          |        | 47405-LLB1-900    | 0   | BOLT FLANGE 10*105    | 螺絲 10X105 | 2       |           |
| *          |        | 47500-LLB1-900    | 0   | SHAFT ASSY L STEERING | 左轉向軸組     | 1       |           |
| *          |        | 53400-LLB1-900    | 0   | ARM ASSY R SWING      | 右搖臂組      | 1       |           |
| *          |        | 53402-LLB1-900    | 0   | BUSH SWING ARM        | 搖臂襯套      | 4       |           |
| *          |        | 53500-LLB1-900    | 0   | ARM ASSY L SWING      | 左搖臂組      | 1       |           |
| *          |        | 53700-LLB1-900    | 0   | ROD ASSY STEERING     | 連桿轉向組     | 2       |           |
| *          |        | 80157-KBC-9000    | 0   | WASHER                | 華司        | 2       |           |
| *          |        | 90304-GW0-9020-M2 | 0   | NUT U FLANGE 10MM     | 螺帽 10MM   | 4       |           |
| *          |        | 94201-25250       | 0   | PIN SPLIT 2.5*25      | 插銷        | 6       |           |
| *          |        | 95801-10057-07    | 0   | BOLT FLANGE 10*57     | 螺絲 10X57  | 4       |           |

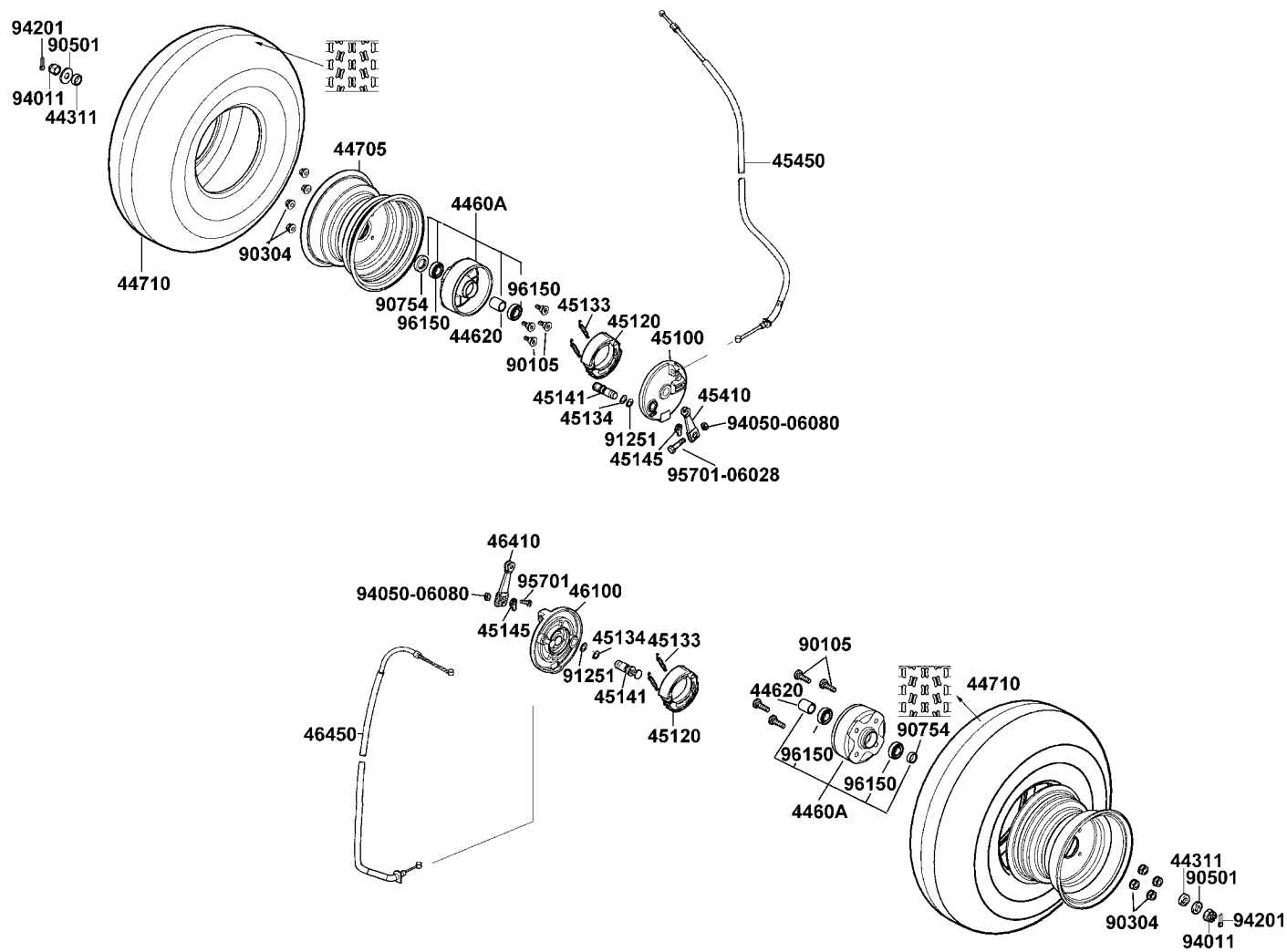


**F 7 Front Wheel**



| 販賣記號       | 項目     | 零件號碼              | 版數  | 英文名稱                 | 中文名稱       | 需要用量    | 參考價       |
|------------|--------|-------------------|-----|----------------------|------------|---------|-----------|
| Sales mark | Ref no | Part no           | Ver | Description          | Chinese    | Regd no | Ref Price |
| *          |        | 44311-LLB1-900    | 0   | COLLAR FR WHEEL SIDE | 前輪邊套筒      | 2       |           |
| **         |        | 4460A-LLB1-900    | 0   | HUB ASSY FR          | 前輪殼組       | 2       |           |
| *          |        | 44620-LLB1-900    | 0   | COLLAR FR DIST       | 前輪軸距套筒     | 2       |           |
| **         |        | 44705-LLB1-900    | 0   | RIM COMP FR WHEEL    | 前輪圈        | 2       |           |
| *          |        | 44710-LLB1-900    | 0   | TIRE ASSY FR         | 前輪胎        | 2       |           |
| *          |        | 45100-LLB1-900    | 0   | PANEL COMP FR RH     | 右前煞車板組     | 1       |           |
| *          |        | 45120-KCX-9100    | 1   | SHOE COMP BRAKE      | 前煞車鞋       | 4       |           |
| *          |        | 45133-028-0000    | 1   | SPG BRAKE SHOE       | 煞車鞋彈簧      | 4       |           |
| *          |        | 45134-250-0000    | 0   | BRAKE CAM DUST SEAL  | 凸輪防塵封      | 2       |           |
| *          |        | 45141-LLB1-900    | 0   | CAM FR BRAKE         | 前煞車凸輪      | 2       |           |
| *          |        | 45145-LLB1-900    | 0   | INDICATOR FR BRK     | 前煞車指示      | 2       |           |
| *          |        | 45410-LLB1-900    | 0   | ARM FR BRK RH        | 右前煞車臂      | 1       |           |
| *          |        | 45450-LLB1-900    | 0   | CABLE COMP FR BRK R  | 右前煞車導線     | 1       |           |
| *          |        | 46100-LLB1-900    | 0   | PANEL COMP FR LH     | 左前煞車板組     | 1       |           |
| *          |        | 46410-LLB1-900    | 0   | ARM FR BRK LH        | 左前煞車臂      | 1       |           |
| *          |        | 46450-LLB1-900    | 0   | CABLE COMP FR BRK L  | 左前煞車導線     | 1       |           |
| *          |        | 90105-LLB1-900    | 0   | BOLT HUB 10*25       | 螺絲 10X25   | 8       |           |
| *          |        | 90304-GW0-9020-M2 | 0   | NUT U FLANGE 10MM    | 螺帽 10MM    | 8       |           |
| *          |        | 90501-LLB1-900    | 0   | WASHER 14MM          | 華司         | 2       |           |
| *          |        | 90754-LLB1-900    | 0   | DUST SEAL 22*35*7    | 油封 22X35X7 | 2       |           |

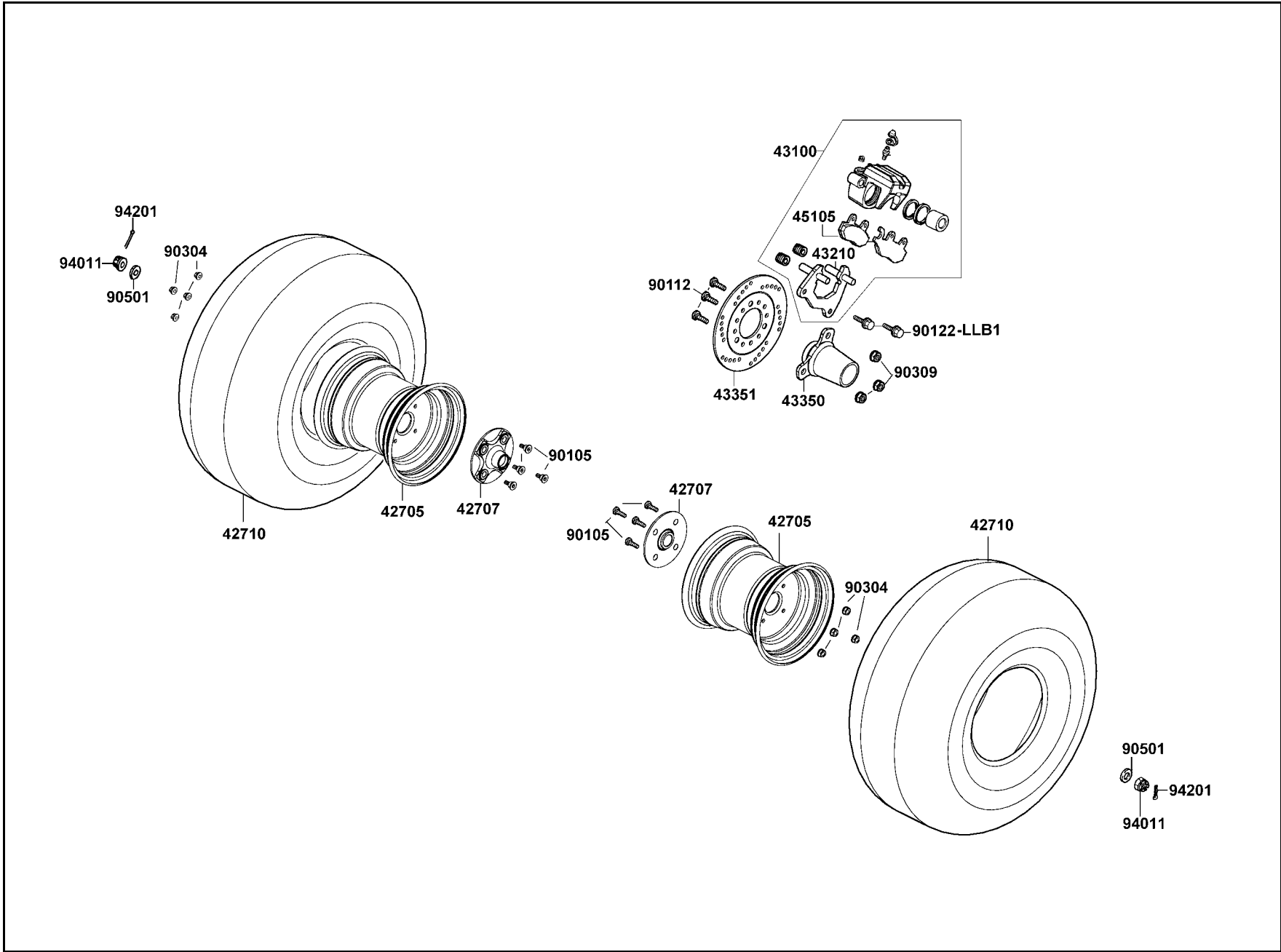
**F 7 Front Wheel**



**F 7**

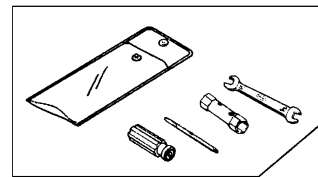
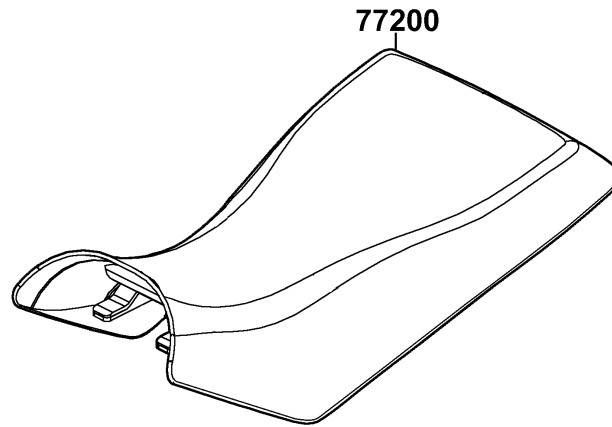
| 販賣記號       | 項目     | 零件號碼           | 版數  | 英文名稱                     | 中文名稱    | 需要用量    | 參考價       |
|------------|--------|----------------|-----|--------------------------|---------|---------|-----------|
| Sales mark | Ref no | Part no        | Ver | Description              | Chinese | Regd no | Ref Price |
| *          |        | 91251-GC8-0060 | 0   | SEAL OIL 41*51*5         | 油封      | 2       |           |
| *          |        | 94011-LLB1-900 | 0   | NUT FLANGE CASTLE 14MM   | 螺帽      | 2       |           |
| *          |        | 94050-06080    | 0   | NUT FLANGE 6MM           | 螺帽 6MM  | 2       |           |
| *          |        | 94201-30300    | 0   | PIN SPLIT 3*30           | 插銷      | 2       |           |
| *          |        | 95701-06028-08 | 0   | BOLT FLANGE 6*28         | 螺絲 6X28 | 2       |           |
| *          |        | 96150-60030-10 | 0   | BEARING BALL RADIAL 6003 | 軸承 6003 | 4       |           |

**F 8 Rear Wheel**



| 販賣記號       | 項目     | 零件號碼              | 版數  | 英文名稱                   | 中文名稱      | 需要用量    | 參考價       |
|------------|--------|-------------------|-----|------------------------|-----------|---------|-----------|
| Sales mark | Ref no | Part no           | Ver | Description            | Chinese   | Regd no | Ref Price |
| **         |        | 42705-LLB1-900    | 0   | RIM COMP RR WHEEL      | 後輪圈       | 2       |           |
| *          |        | 42707-LLB1-900    | 0   | CONNECTOR RR WHEEL     | 後連接輪      | 2       |           |
| *          |        | 42710-LLB1-900    | 0   | TIRE ASSY RR           | 後輪胎       | 2       |           |
| *          |        | 43100-LLB1-800    | 0   | CALIPER ASSY RR        | 後煞車卡鉗     | 1       |           |
| *          |        | 43210-LLB1-800    | 0   | BRACKET RR             | 後煞車卡鉗托架   | 1       |           |
| *          |        | 43350-LLB1-800    | 0   | BRACKET BRAKE DISK     | 煞車圓盤托架    | 1       |           |
| *          |        | 43351-KBE-9000    | 2   | DISK RR BRAKE          | 煞車圓盤      | 1       |           |
| *          |        | 45105-KFA6-3050   | 0   | PAD COMP               | 煞車摩擦板組    | 1       |           |
| *          |        | 90105-LLB1-900    | 0   | BOLT HUB 10*25         | 轂螺絲 10X25 | 8       |           |
| *          |        | 90112-GZ0-0010    | 1   | BOLT DISK 8*20         | 圓盤螺絲      | 3       |           |
| *          |        | 90122-LLB1-800    | 0   | BOLT FLANGE 8*28       | 螺絲 8X28   | 2       |           |
| *          |        | 90304-GW0-9020-M2 | 0   | NUT U FLANGE 10MM      | 螺帽 10MM   | 8       |           |
| *          |        | 90309-GW0-9010-M1 | 0   | NUT U FLANGE 8MM       | 螺帽 8MM    | 3       |           |
| *          |        | 90501-LLB1-900    | 0   | WASHER 14MM            | 華司        | 2       |           |
| *          |        | 94011-LLB1-900    | 0   | NUT FLANGE CASTLE 14MM | 螺帽        | 2       |           |
| *          |        | 94201-30300       | 0   | PIN SPLIT 3*30         | 插銷        | 2       |           |

**F 9 Seat**

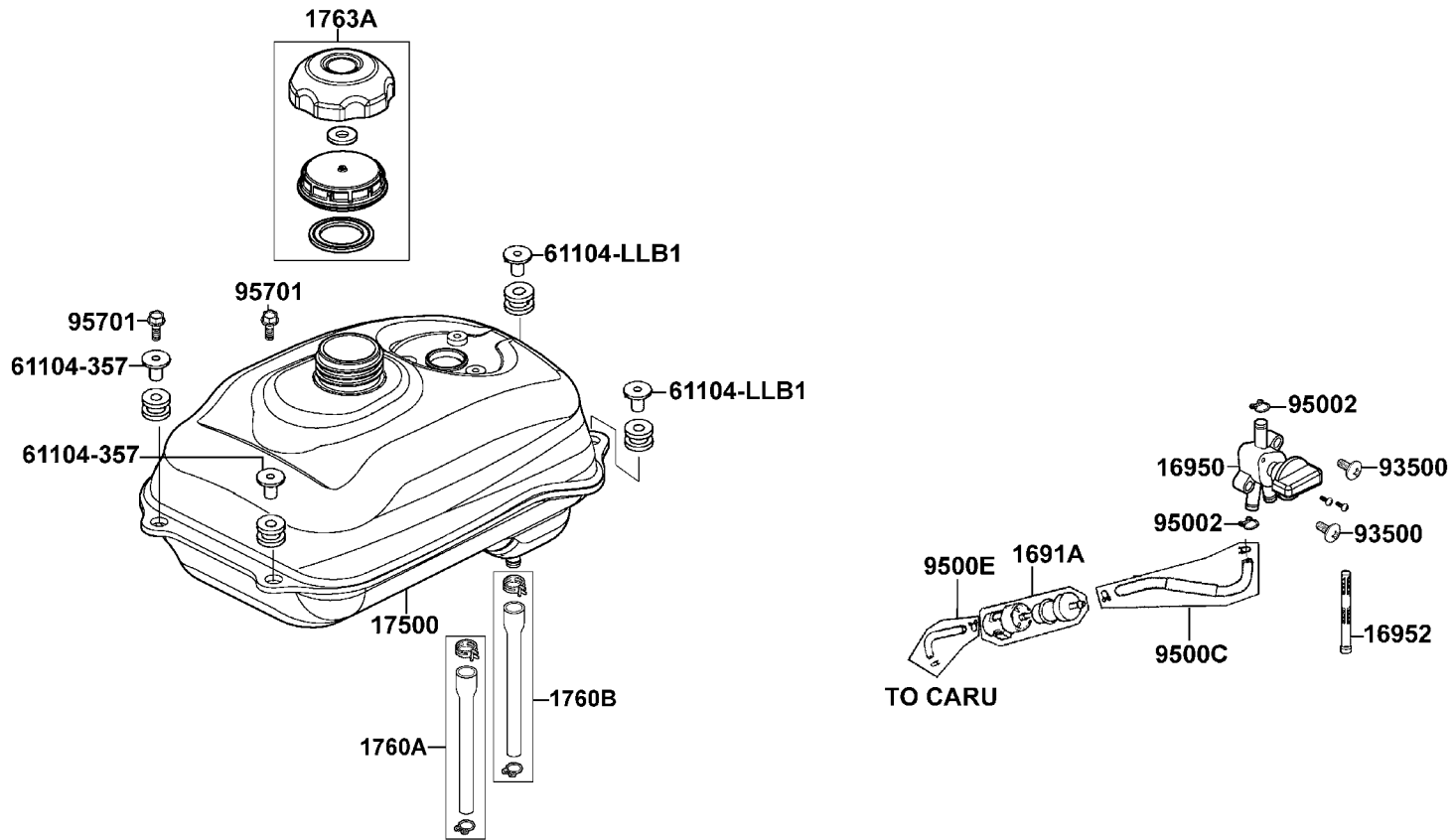


**89010-LLB1**

| 販賣記號<br>Sales mark | 項目<br>Ref no | 零件號碼<br>Part no | 版數<br>Ver | 英 文 名 稱<br>Description | 中 文 名 稱<br>Chinese | 需要用量<br>Regd no | 參考價<br>Ref Price |
|--------------------|--------------|-----------------|-----------|------------------------|--------------------|-----------------|------------------|
| **                 |              | 77200-LLB1-900  | 0         | SEAT ASSY              | 座墊                 | 1               |                  |
| *                  |              | 89010-LLB1-900  | 0         | TOOL SET               | 工具包                | 1               |                  |

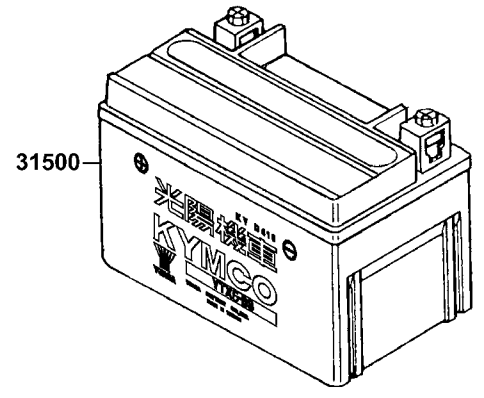


**F 10 Fuel Tank**



| 販賣記號<br>Sales mark | 項目<br>Ref no | 零件號碼<br>Part no   | 版數<br>Ver | 英文名稱<br>Description           | 中文名稱<br>Chinese | 需要用量<br>Regd no | 參考價<br>Ref Price |
|--------------------|--------------|-------------------|-----------|-------------------------------|-----------------|-----------------|------------------|
| *                  |              | 1691A-GY6-9010-M2 | 0         | STRAINER ASSY FUEL            | 濾油器組            | 1               |                  |
| *                  |              | 16950-LLB1-900    | 0         | COCK FUEL                     | 油杯              | 1               |                  |
| *                  |              | 16952-LLB1-900    | 0         | SCREEN FUEL STRAINER          | 過濾器隔板           | 1               |                  |
| *                  |              | 17500-LLB1-900    | 0         | TANK COMP FUEL                | 油箱              | 1               |                  |
| *                  |              | 1760A-LLB1-900    | 0         | TUBE ASSY FUEL TANK           | 油管              | 1               |                  |
| *                  |              | 1760B-LLB1-900    | 0         | TUBE ASSY FUEL TANK           | 油管              | 1               |                  |
| *                  |              | 1763A-LLB1-900    | 0         | CAP ASSY FUEL FILLER          | 油箱蓋             | 1               |                  |
| *                  |              | 61104-357-0010    | 0         | COLLAR FR FENDER              | 套筒              | 2               |                  |
| *                  |              | 61104-LLB1-900    | 0         | COLLAR TANK FUEL              | 油箱套筒            | 2               |                  |
| *                  |              | 93500-05016-1B    | 0         | SCREW PAN 5*16                | 螺釘 5X16         | 2               |                  |
| *                  |              | 95002-41250-00    | 0         | CLIP D12.5 TUBE               | 管夾              | 2               |                  |
| *                  |              | 9500C-LLB1-900    | 0         | TUBE ASSY CHOKE- STRAINER     | 油管              | 1               |                  |
| *                  |              | 9500E-LLB1-900    | 0         | TUBE ASSY CHOKE STRAINER-CARB | 油管              | 1               |                  |
| *                  |              | 95701-06022-07    | 0         | BOLT FLANGE 6*22              | 螺絲 6X22         | 2               |                  |

**F 11** Battery



| 販賣記號<br>Sales mark | 項目<br>Ref no | 零件號碼<br>Part no   | 版數<br>Ver | 英文名稱<br>Description | 中文名稱<br>Chinese | 需要用量<br>Regd no | 參考價<br>Ref Price |
|--------------------|--------------|-------------------|-----------|---------------------|-----------------|-----------------|------------------|
| *                  |              | 31500-KAF-9000-M1 | 3         | BATTERY YTX9-BS     | 電池              | 1               |                  |

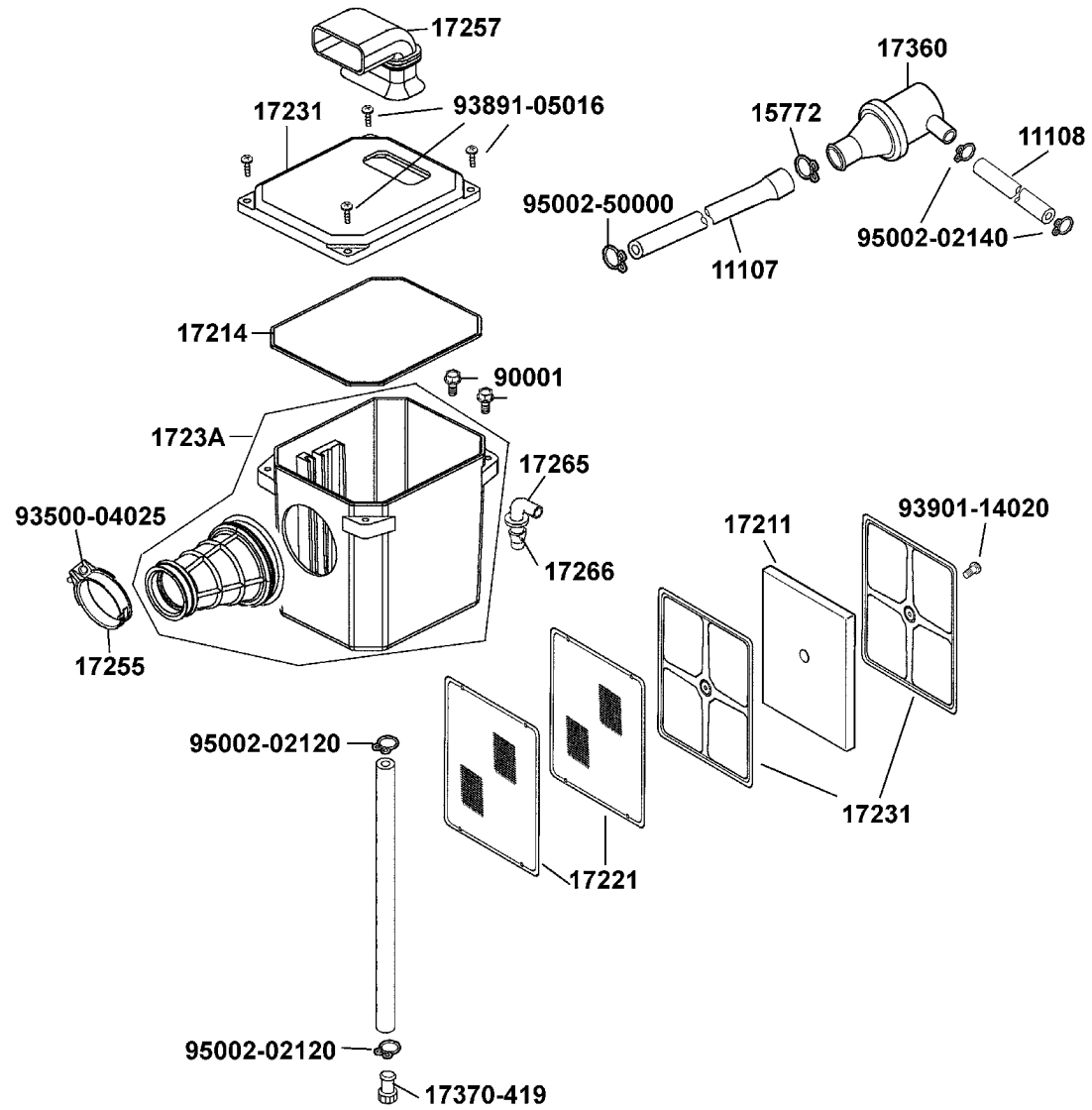
**F 11**



| 販賣記號       | 項目     | 零件號碼           | 版數  | 英文名稱               | 中文名稱    | 需要用量    | 參考價       |
|------------|--------|----------------|-----|--------------------|---------|---------|-----------|
| Sales mark | Ref no | Part no        | Ver | Description        | Chinese | Regd no | Ref Price |
| **         |        | 1770A-LLB1-900 | 0   | COVER ASSY TANK    | 油箱外蓋    | 1       |           |
| *          |        | 50326-LLB1-900 | 0   | COVER BATTERY      | 電瓶蓋     | 1       |           |
| **         |        | 80100-LLB1-900 | 0   | FENDER R RR        | 右後土除    | 1       |           |
| **         |        | 80200-LLB1-900 | 0   | FENDER L RR        | 左後土除    | 1       |           |
| **         |        | 80121-LLB1-900 | 0   | MUDGUARD R FLOOR   | 右擋泥踏板   | 1       |           |
| **         |        | 80122-LLB1-900 | 0   | MUDGUARD L FLOOR   | 左擋泥踏板   | 1       |           |
| **         |        | 81250-LLB1-900 | 0   | BOX LUGGAGE        | 行李箱組    | 1       |           |
| *          |        | 90110-LLB1-900 | 0   | SCREW SPECIAL 6*16 | 螺絲 6*16 | 20      |           |
| *          |        | 90112-KBN-9010 | 0   | BOLT FLANGE 6MM    | 螺絲 6MM  | 5       |           |
| *          |        | 90677-GR1-0030 | 1   | NUT CLIP 5MM       | 夾螺帽 5MM | 2       |           |
| *          |        | 93404-06020-07 | 0   | BOLT- WASHER 6*20  | 螺絲 6X20 | 4       |           |
| *          |        | 93891-05012-07 | 0   | SCREW WASHER 5*12  | 螺釘 5*12 | 2       |           |
| *          |        | 94050-06080    | 0   | NUT FLANGE 6MM     | 螺帽 6MM  | 18      |           |

F 12

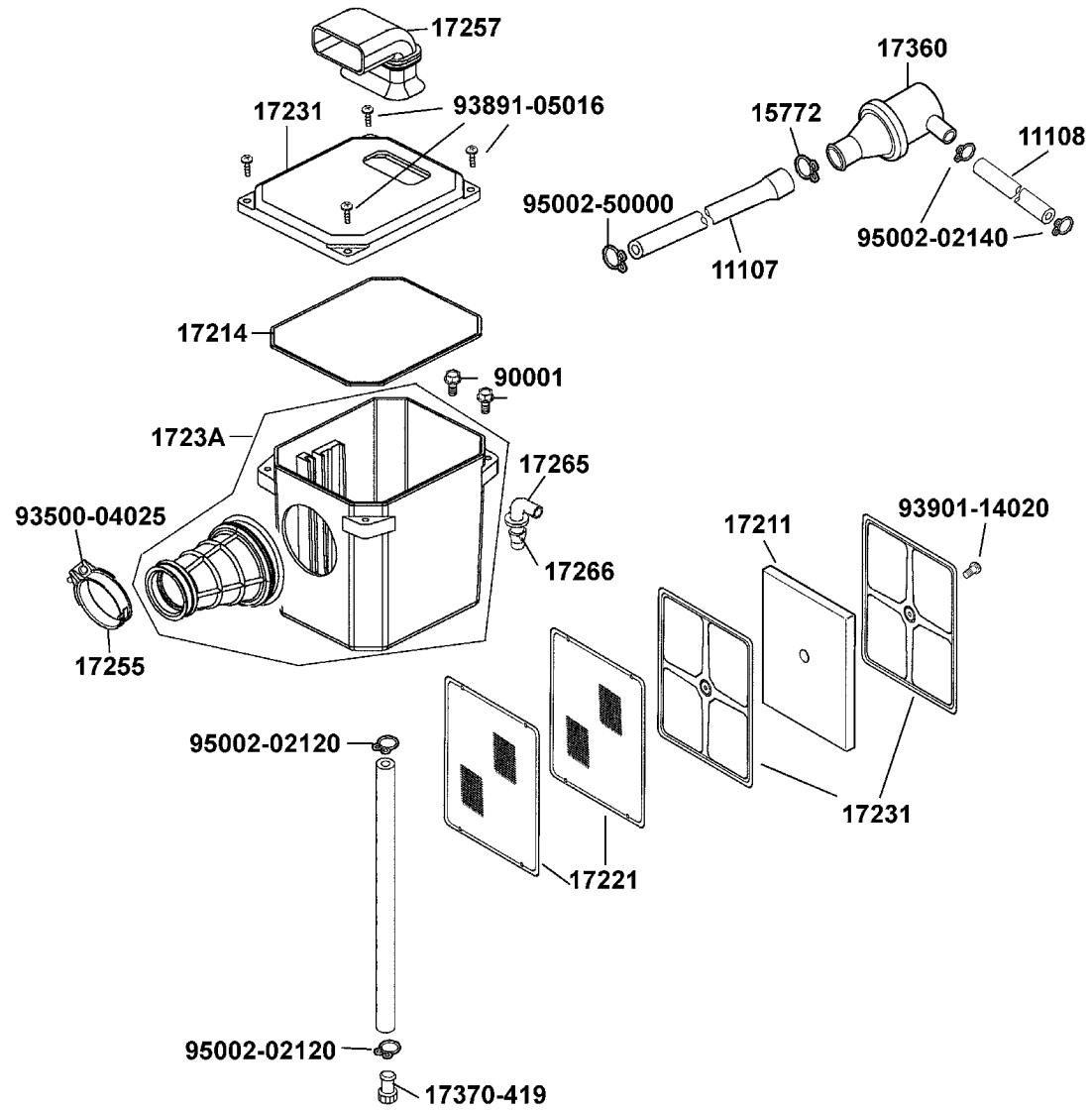
**F 13** Air Cleaner



| 販賣記號       | 項目     | 零件號碼           | 版數  | 英文名稱                         | 中文名稱     | 需要用量    | 參考價       |
|------------|--------|----------------|-----|------------------------------|----------|---------|-----------|
| Sales mark | Ref no | Part no        | Ver | Description                  | Chinese  | Regd no | Ref Price |
| *          |        | 11107-LLB1-900 | 0   | BREATHER TUBE                | 通氣管      | 1       |           |
| *          |        | 11108-LLB1-900 | 0   | TUBE B                       | 通氣管 B    | 1       |           |
| *          |        | 15772-292-0100 | 0   | CLIP BREATHER TUBE           | 管夾       | 1       |           |
| *          |        | 17211-439-0010 | 0   | ELMENT AIR/C                 | 空氣濾清器海綿  | 1       |           |
| *          |        | 17214-LLB1-900 | 0   | SEAL AIR/C COVER             | 空氣濾清器油封  | 1       |           |
| *          |        | 17221-KG7-0010 | 0   | TRAP COMP                    | 空氣濾清器夾網  | 2       |           |
| *          |        | 17231-439-0010 | 0   | PLATE ELEMENT SET            | 海綿固定片    | 2       |           |
| *          |        | 17231-LLB1-900 | 0   | COVER AIR/C                  | 空氣濾清箱蓋   | 1       |           |
| *          |        | 1723A-LLB1-900 | 0   | CASE COMP AIR/C              | 空氣濾清箱組   | 1       |           |
| *          |        | 17255-KAK-9000 | 0   | BAND A AIR/C CONNECTING TUBE | 連接管固定帶   | 1       |           |
| *          |        | 17257-LLB1-900 | 0   | DUCT AIR/C COVER             | 空氣濾清器輸出管 | 1       |           |
| *          |        | 17265-KG7-0010 | 0   | JOINT BLOW BY                | 接頭       | 1       |           |
| *          |        | 17266-KG7-0010 | 0   | PACKING ACV JOINT            | 橡皮       | 1       |           |
| *          |        | 17360-LLB1-900 | 0   | CATH TANK ASSY               | 曲軸箱廢氣回收器 | 1       |           |
| *          |        | 17370-419-7010 | 0   | PLUG BREATHER TUBE           | 管塞       | 1       |           |
| *          |        | 90001-GHB-6610 | 0   | BOLT FLANGE SHF 6*22         | 螺絲 6X22  | 2       |           |
| *          |        | 93500-04025-0H | 0   | SCREW PAN 4*25               | 螺絲 4X25  | 1       |           |
| *          |        | 93891-05016-08 | 0   | SCREW WASHER 5*16            | 螺釘 5X16  | 4       |           |
| *          |        | 93901-14020    | 0   | SCREW TAPPING 4*6            | 螺釘 4X6   | 1       |           |
| *          |        | 95002-02120    | 0   | CLIP B12 TUBE                | 管夾 B12   | 2       |           |

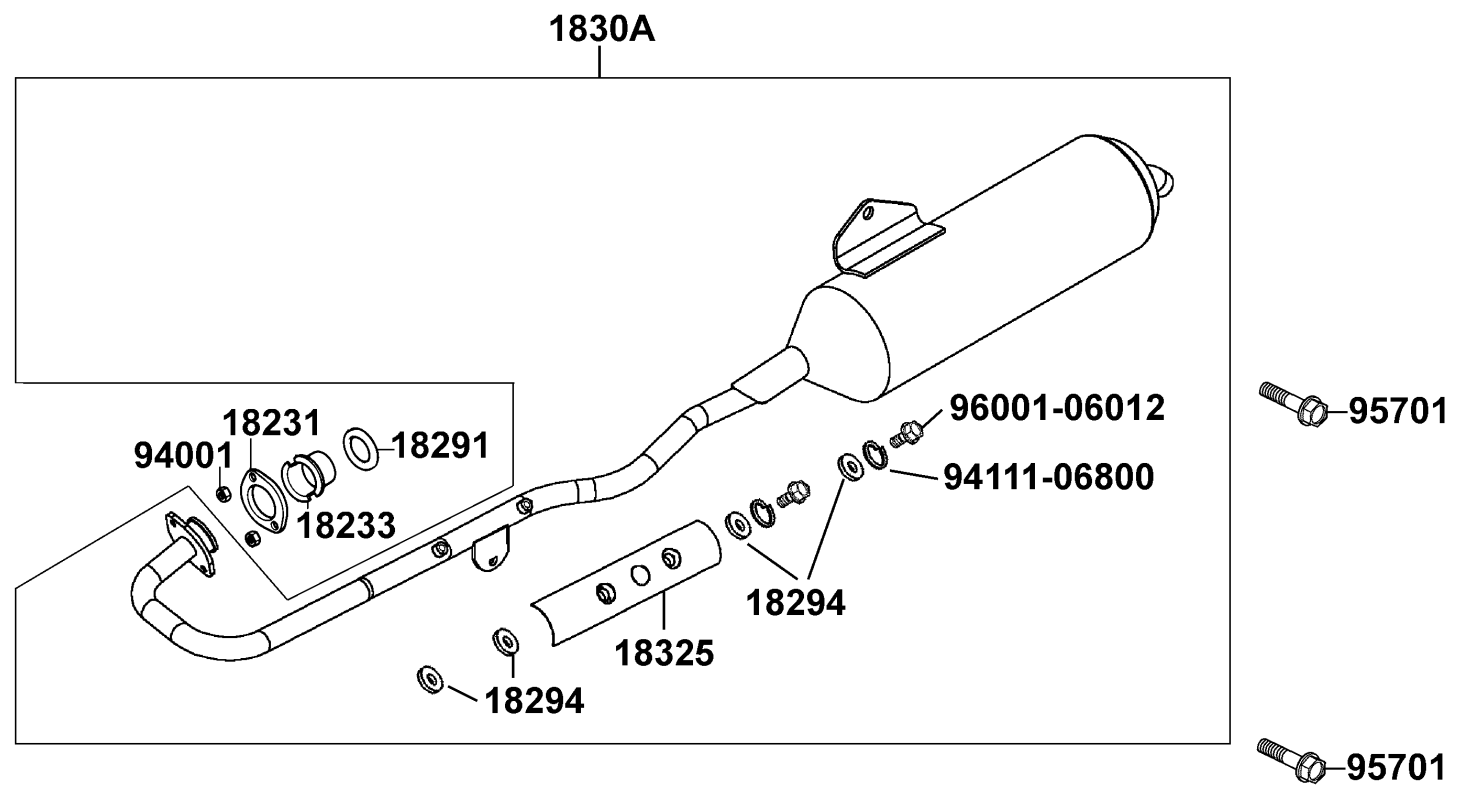


**F 13** Air Cleaner



| 販賣記號<br>Sales mark | 項目<br>Ref no | 零件號碼<br>Part no | 版數<br>Ver | 英文名稱<br>Description | 中文名稱<br>Chinese | 需要用量<br>Regd no | 參考價<br>Ref Price |
|--------------------|--------------|-----------------|-----------|---------------------|-----------------|-----------------|------------------|
| *                  |              | 95002-02140     | 0         | CLIP B8 TUBE        | 管夾              | 2               |                  |
| *                  |              | 95002-5000      | 0         | CLIP C9 TUBE        | 管夾              | 1               |                  |

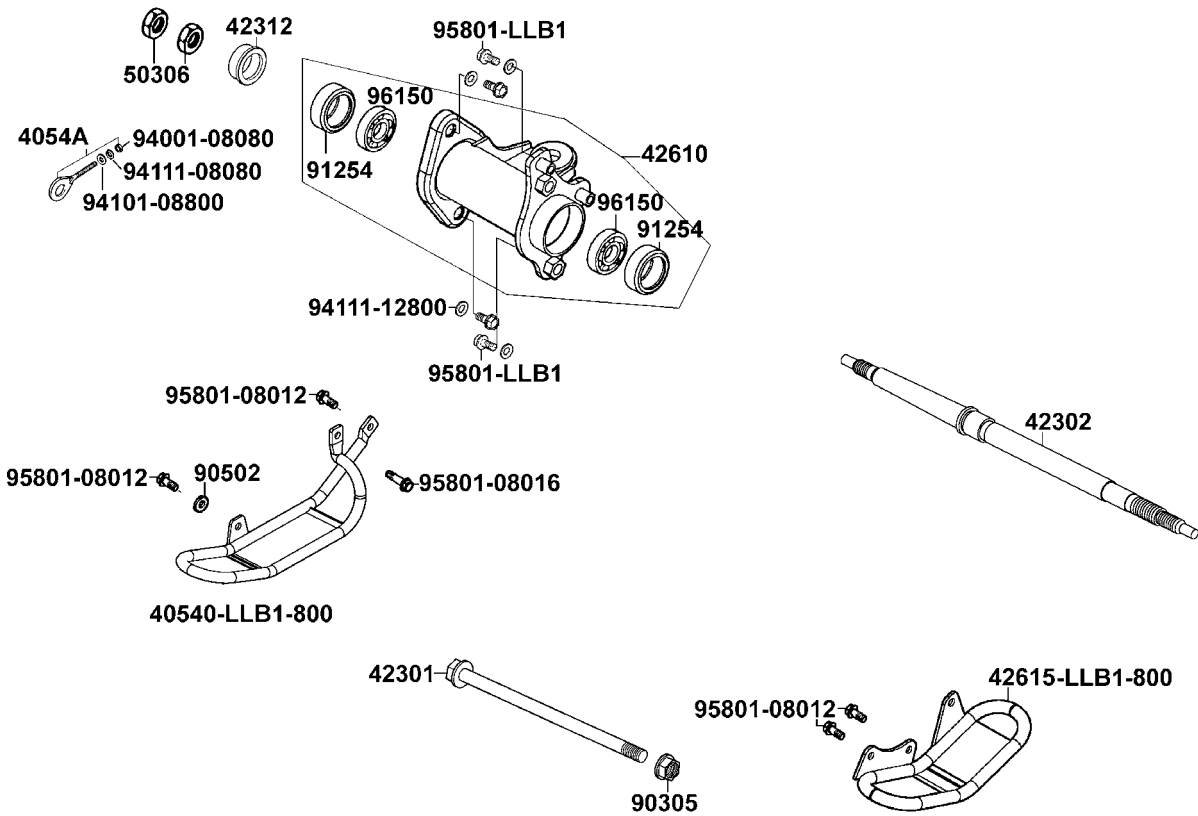
**F 14 Exhaust Muffler**



| 販賣記號       | 項目     | 零件號碼           | 版數  | 英文名稱                      | 中文名稱     | 需要用量    | 參考價       |
|------------|--------|----------------|-----|---------------------------|----------|---------|-----------|
| Sales mark | Ref no | Part no        | Ver | Description               | Chinese  | Regd no | Ref Price |
| *          |        | 18231-365-6710 | 0   | JOINT EXH PIPE            | 排氣管接頭    | 1       |           |
| *          |        | 18233-383-9000 | 1   | COLLAR EXHARST PIPE JOINT | 套筒       | 2       |           |
| *          |        | 18291-216-0010 | 1   | GASKET EXH PIPE           | 排氣管墊圈    | 1       |           |
| *          |        | 18294-KCT-9000 | 0   | PACKING PROTECTOR         | 墊片       | 4       |           |
| *          |        | 1830A-LLB1-900 | 0   | MUFFLER ASSY              | 排氣管組     | 1       |           |
| *          |        | 18325-LLB1-900 | 0   | PROTECTOR EXH PIPE        | 排氣管護蓋    | 1       |           |
| *          |        | 94001-06080-0S | 0   | NUT HEX 6MM               | 螺帽 6MM   | 2       |           |
| *          |        | 94101-06200    | 0   | WASHER PLAIN 6MM          | 華司 6MM   | 2       |           |
| *          |        | 94111-06800    | 0   | WASHER SPG 6MM            | 彈簧華司 6MM | 2       |           |
| *          |        | 95701-08028-07 | 0   | BOLT FLANGE 8*28          | 螺絲 8X28  | 2       |           |
| *          |        | 96001-06012-02 | 0   | BOLT FLANGE SH 6*12       | 螺絲 6*12  | 2       |           |

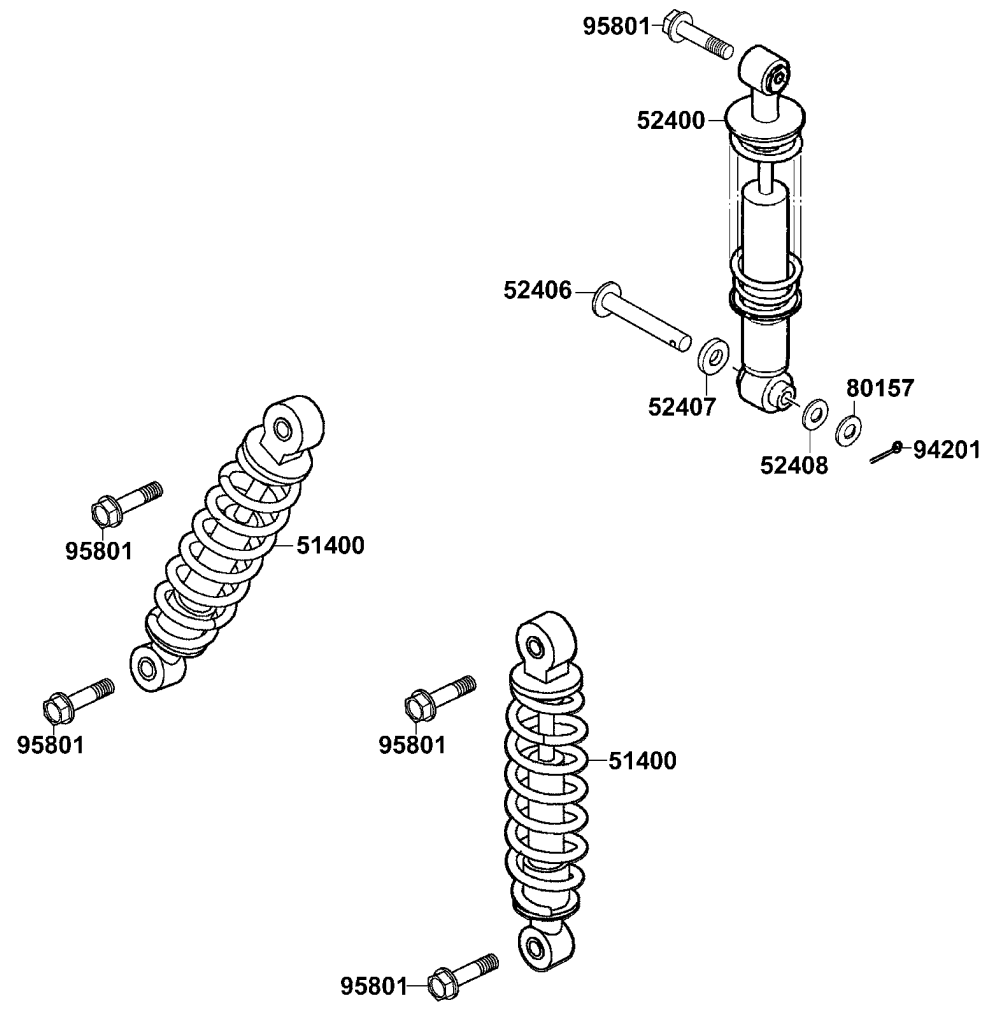
F 14

**F 15** RR Hub



| 販賣記號       | 項目     | 零件號碼           | 版數  | 英文名稱                      | 中文名稱         | 需要用量    | 參考價       |
|------------|--------|----------------|-----|---------------------------|--------------|---------|-----------|
| Sales mark | Ref no | Part no        | Ver | Description               | Chinese      | Regd no | Ref Price |
| *          |        | 40540-LLB1-800 | 0   | PROTECTOR CHAIN           | 保護蓋鍊條        | 1       |           |
| *          |        | 4054A-LLB1-900 | 0   | DRIVE CHAIN ADJUSTER ASSY | 調整器鍊條        | 1       |           |
| *          |        | 42301-LLB1-900 | 0   | AXLE RR FORK              | 後叉螺絲         | 1       |           |
| *          |        | 42312-LLB1-900 | 0   | COLLAR RR SIDE            | 後輪轂套筒        | 2       |           |
| **         |        | 42610-LLB1-800 | 0   | HUB ASSY RR               | 後輪轂組         | 1       |           |
| *          |        | 42615-LLB1-800 | 0   | PROTECTOR RR BRAKE        | 後煞車保護蓋       | 1       |           |
| *          |        | 50306-LLB1-900 | 0   | NUT RR SHAFT              | 後螺帽軸         | 2       |           |
| *          |        | 90305-GE8-0030 | 1   | NUT U 14MM                | 螺帽 14MM      | 1       |           |
| *          |        | 90502-LLB1-900 | 0   | WASHER 12.2*28*4          | 華司 12.2X28X4 | 1       |           |
| *          |        | 95801-LLB1-900 | 0   | BOLT FLANGE 12*25         | 螺絲 12X25     | 4       |           |
| *          |        | 91254-LLB1-900 | 0   | SEAL DUST                 | 塵封           | 2       |           |
| *          |        | 94001-08080-0S | 0   | NUT HEX 8MM               | 螺帽 8MM       | 1       |           |
| *          |        | 94101-08800    | 0   | WASHER PLAIN 8MM          | 華司           | 1       |           |
| *          |        | 94111-08800    | 0   | WASHER SPG 8MM            | 彈簧華司         | 1       |           |
| *          |        | 94111-12800    | 0   | WASHER SPG 12MM           | 彈簧華司 12MM    | 4       |           |
| *          |        | 95701-06028-08 | 0   | BOLT FLANGE 6*28          | 螺絲 6X28      | 1       |           |
| *          |        | 95801-08012-08 | 0   | BOLT FLANGE 8*12          | 螺絲 8X12      | 4       |           |
| *          |        | 95801-08016-08 | 0   | BOLT FLANGE 8*16          | 螺絲 8X16      | 1       |           |
| *          |        | 96150-69070-10 | 0   | BEARING BALL RADIAL 6907  | 軸承 6907      | 2       |           |

**F 16** Cushion

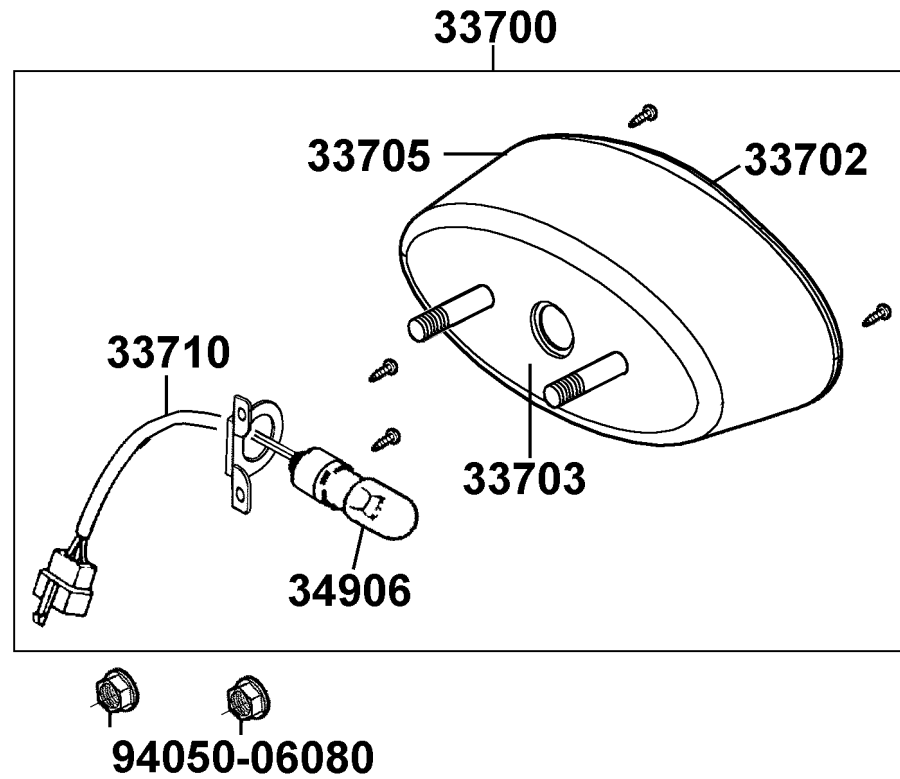


| 販賣記號       | 項目     | 零件號碼           | 版數  | 英文名稱             | 中文名稱     | 需要用量    | 參考價       |
|------------|--------|----------------|-----|------------------|----------|---------|-----------|
| Sales mark | Ref no | Part no        | Ver | Description      | Chinese  | Regd no | Ref Price |
| *          |        | 51400-LLB1-900 | 0   | CUSHION ASSY FR  | 前避震器     | 2       |           |
| *          |        | 52400-LLB1-800 | 0   | CUSHION ASSY RR  | 後避震器     | 1       |           |
| *          |        | 52406-LLB1-900 | 0   | BOLT RR CUSH     | 後避震器插栓   | 1       |           |
| *          |        | 52407-LLB1-900 | 0   | RUBBER RR CUSH   | 後避震器橡皮   | 1       |           |
| *          |        | 52408-LLB1-900 | 0   | WASHER           | 華司       | 1       |           |
| *          |        | 80157-KBC-9000 | 0   | WASHER           | 華司       | 1       |           |
| *          |        | 94201-30250    | 0   | PIN SPLIT 3*25   | 插銷       | 1       |           |
| *          |        | 95801-10040-08 | 0   | BOLT FLANGE10*40 | 螺絲 10X40 | 5       |           |

F 16



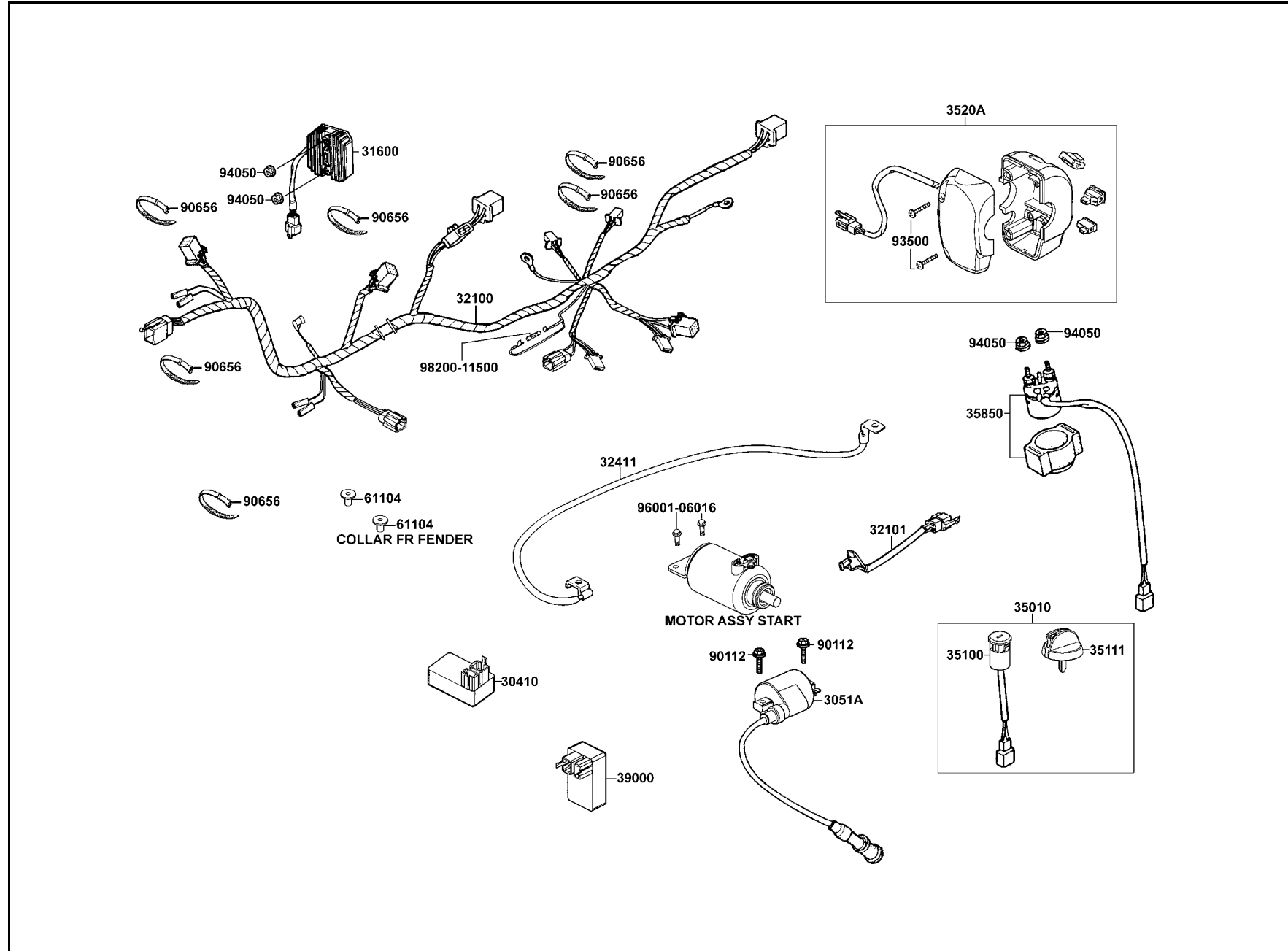
**F 17** Rear Light



| 販賣記號       | 項目     | 零件號碼           | 版數  | 英文名稱                   | 中文名稱    | 需要用量    | 參考價       |
|------------|--------|----------------|-----|------------------------|---------|---------|-----------|
| Sales mark | Ref no | Part no        | Ver | Description            | Chinese | Regd no | Ref Price |
| *          |        | 33700-LLB1-900 | 0   | LIGHT ASSY TAIL        | 後燈組     | 1       |           |
| *          |        | 33702-LLB1-900 | 0   | LENS TAIL LIGHT        | 後燈殼     | 1       |           |
| *          |        | 33703-LLB1-900 | 0   | LENS LICENSE           | 牌照殼     | 1       |           |
| *          |        | 33705-LLB1-900 | 0   | BASE TAIL LIGHT        | 後燈座     | 1       |           |
| *          |        | 33710-LLB1-900 | 0   | SOCKET COMP TAIL LIGHT | 後燈配線    | 1       |           |
| *          |        | 34906-KCP-9000 | 0   | BULB TAIL & STOP       | 後燈泡     | 1       |           |
| *          |        | 94050-06080    | 0   | NUT FLANGE 6MM         | 螺帽 6MM  | 2       |           |

F 17

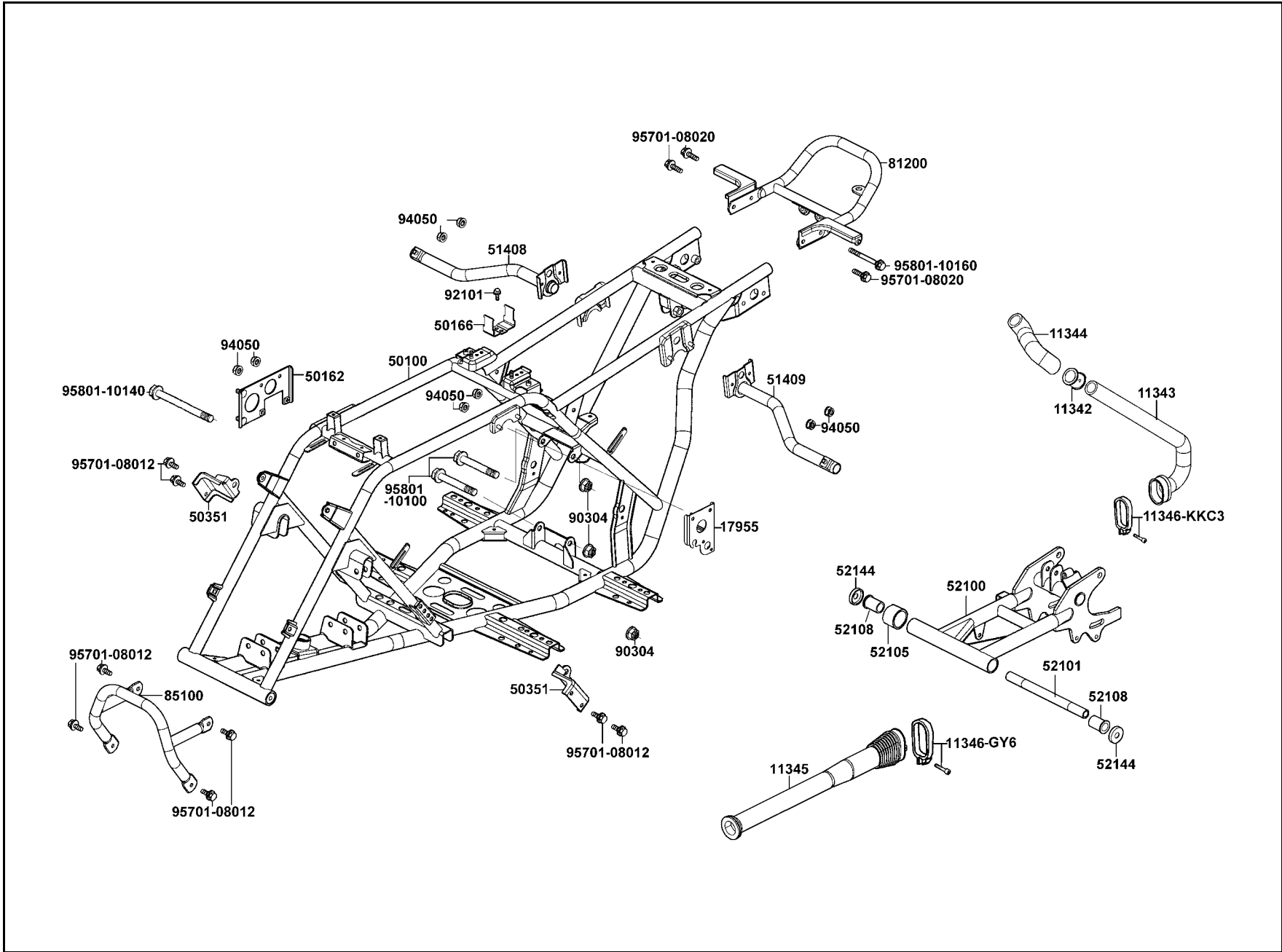
**F 18 Wire Harness**



| 販賣記號       | 項目     | 零件號碼               | 版數  | 英文名稱                     | 中文名稱     | 需要用量    | 參考價       |
|------------|--------|--------------------|-----|--------------------------|----------|---------|-----------|
| Sales mark | Ref no | Part no            | Ver | Description              | Chinese  | Regd no | Ref Price |
| *          |        | 30400-KG7-0000-M1  | 2   | UNIT ASSY CDI            | C.D.I.組  | 1       |           |
| *          |        | 3051A-LLB1-900     | 0   | COIL ASSY IGN            | 點火線圈     | 1       |           |
| *          |        | 31600-KR1-7620-M1  | 2   | REG REC COMP (DC)        | 整流器      | 1       |           |
| *          |        | 32100-LLB1-900     | 0   | HARNESS WIRE             | 主配線      | 1       |           |
| *          |        | 32101-LLB1-800     | 0   | SUB CORD                 | 配線       | 1       |           |
| *          |        | 32411-LLB1-900     | 0   | CABLE BAT                | 電池線      | 1       |           |
| *          |        | 35010-LLB1-900     | 0   | KEY SET                  | 開關組      | 1       |           |
| *          |        | 3520A-LLB1-900     | 2   | SW ASSY LH HNDL          | 左手把開關組   | 1       |           |
| *          |        | 35850-KHB4-9000-M2 | 1   | SET START MAG            | 起動開關組    | 1       |           |
| *          |        | 39000-LLB1-900     | 0   | CONTROL UNIT GEAR CHANGE | 控制換檔齒輪電器 | 1       |           |
| *          |        | 61104-357-0010     | 0   | COLLAR FR FENDER         | 前土除套筒    | 2       |           |
| *          |        | 90112-KDR-9000     | 0   | BOLT FLANGE 5*22         | 螺絲 5X22  | 2       |           |
| *          |        | 90656-KCBC-9000    | 0   | BAND OIL HANDLE          | 油管束帶     | 8       |           |
| *          |        | 93500-KGBG-9000    | 0   | SCREW TAPPING M5*25L     | 螺絲 5X25  | 2       |           |
| *          |        | 94050-06080        | 0   | NUT FLANGE 6MM           | 螺帽 6MM   | 4       |           |
| *          |        | 96001-06016-08     | 0   | BOLT FLANGE SH 6*16      | 螺絲 6*16  | 2       |           |
| *          |        | 98200-11500        | 0   | FUSE A15                 | 保險絲 15A  | 1       |           |

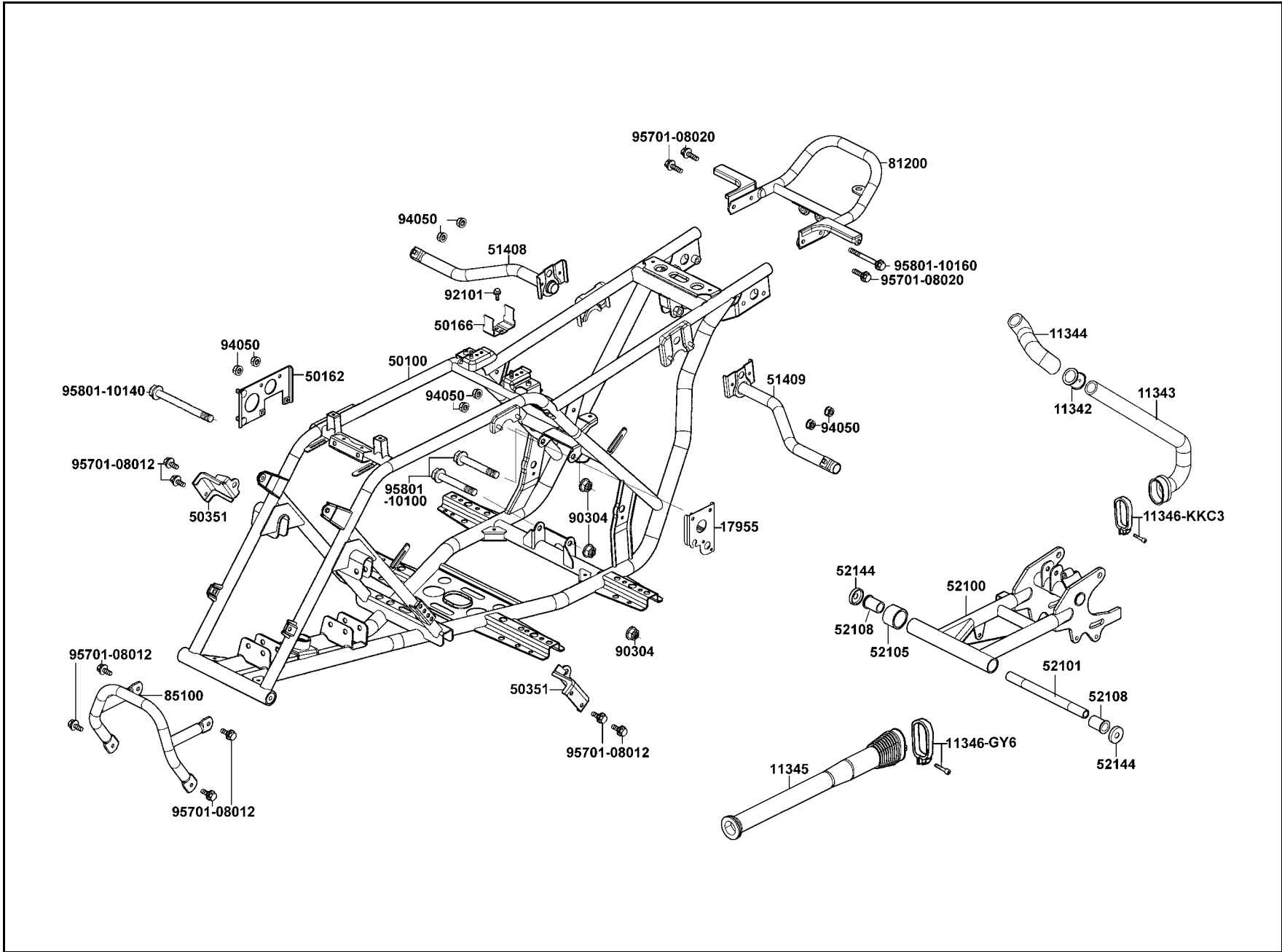
F 18

**F 19** Frame Body



| 販賣記號<br>Sales<br>mark | 項目<br>Ref no | 零件號碼<br>Part no | 版數<br>Ver | 英文名稱<br>Description    | 中文名稱<br>Chinese | 需要用量<br>Regd no | 參考價<br>Ref Price |
|-----------------------|--------------|-----------------|-----------|------------------------|-----------------|-----------------|------------------|
| *                     |              | 11342-LLB1-900  | 0         | JOINT L COVER DUCT     | 左冷卻導管接頭         | 1               |                  |
| *                     |              | 11343-LLB1-900  | 0         | DUCT A L COVER         | 左冷卻導管 A         | 1               |                  |
| *                     |              | 11344-LLB1-900  | 0         | DUCT B L COVER         | 左冷卻導管 B         | 1               |                  |
| *                     |              | 11345-LLB1-900  | 0         | DUCT L COVER           | 左冷卻導管           | 1               |                  |
| *                     |              | 11346-GY6-9010  | 0         | BAND L COVER DUCT      | 導管束帶            | 1               |                  |
| *                     |              | 11346-KKC3-900  | 0         | BAND L COVER DUCT      | 導管束帶            | 1               |                  |
| *                     |              | 17955-LLB1-900  | 0         | STAY CHOKE & FUEL COCK | 油杯支架            | 1               |                  |
| *                     |              | 50100-LLB1-900  | 0         | BODY COMP FRAME        | 車體              | 1               |                  |
| *                     |              | 50162-LLB1-900  | 0         | BRKT COIL & REG        | 整流器支架           | 1               |                  |
| *                     |              | 50166-LLB1-900  | 0         | BRKT START MAG SW      | 起動開關支架          | 1               |                  |
| *                     |              | 50351-LLB1-900  | 0         | BRKT ENG HANGER        | 引擎吊板支架          | 2               |                  |
| *                     |              | 51408-LLB1-900  | 0         | STAY R RR FENDER       | 右後土除支架          | 1               |                  |
| *                     |              | 51409-LLB1-900  | 0         | STAY L RR FENDER       | 左後土除支架          | 1               |                  |
| *                     |              | 52100-LLB1-800  | 0         | FORK COMP RR           | 後叉              | 1               |                  |
| *                     |              | 52101-LLB1-900  | 0         | COLLAR RR FORK DIST    | 後叉套筒            | 1               |                  |
| *                     |              | 52105-LLB1-900  | 0         | SLEEVE RUBBER          | 後叉橡皮            | 1               |                  |
| *                     |              | 52108-KE5-0040  | 0         | BUSH RR FORK           | 後叉襯套            | 2               |                  |
| *                     |              | 52144-GE2-0060  | 0         | CAP RR FORK DUST SEAL  | 後叉防塵蓋           | 2               |                  |
| *                     |              | 81200-LLB1-900  | 0         | GRIP ASSY RR           | 後把組             | 1               |                  |
| *                     |              | 85100-LLB1-900  | 0         | PIPE COMP FR BUMPER    | 前蓋保險桿           | 1               |                  |

**F 19** Frame Body



| 販賣記號<br>Sales<br>mark | 項目<br>Ref no | 零件號碼<br>Part no   | 版數<br>Ver | 英文名稱<br>Description | 中文名稱<br>Chinese | 需要用量<br>Regd no | 參考價<br>Ref Price |
|-----------------------|--------------|-------------------|-----------|---------------------|-----------------|-----------------|------------------|
| *                     |              | 90304-GW0-9020-M2 | 0         | NUT U FLANGE 10MM   | 螺帽 10MM         | 3               |                  |
| *                     |              | 92101-05012-0H    | 0         | BOLT HEX 5*12       | 螺絲 5*12         | 1               |                  |
| *                     |              | 94050-06080       | 0         | NUT FLANGE 6MM      | 螺帽 6MM          | 8               |                  |
| *                     |              | 95701-08012-08    | 0         | BOLT FLANGE 8*12    | 螺絲 8*12         | 8               |                  |
| *                     |              | 95701-08020-07    | 0         | BOLT FLANGE 8*20    | 螺絲 8*20         | 3               |                  |
| *                     |              | 95801-10100-07    | 0         | BOLT FLANGE 10*100  | 螺絲 10*100       | 2               |                  |
| *                     |              | 95801-10140-07    | 0         | BOLT FLANGE 10*140  | 螺絲 10*140       | 1               |                  |
| *                     |              | 95801-10160-07    | 0         | BOLT FLANGE 10*160  | 螺絲 10*160       | 1               |                  |

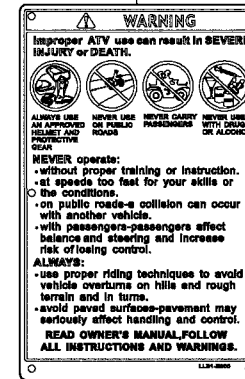


**F 20 Caution Label**

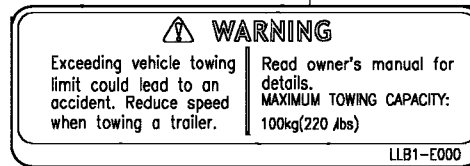
87560



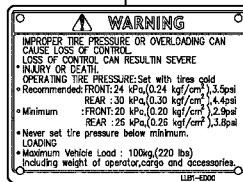
87515



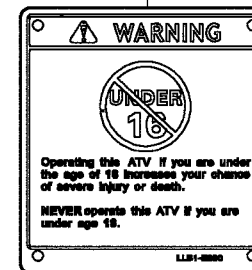
87514



87505

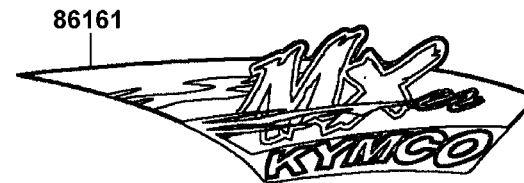
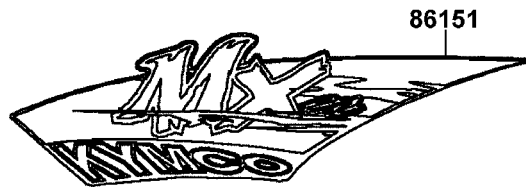


87517



| 販賣記號<br>Sales mark | 項目<br>Ref no | 零件號碼<br>Part no | 版數<br>Ver | 英文名稱<br>Description      | 中文名稱<br>Chinese | 需要用量<br>Regd no | 參考價<br>Ref Price |
|--------------------|--------------|-----------------|-----------|--------------------------|-----------------|-----------------|------------------|
| *                  |              | 87505-LLB1-E00  | 0         | LABEL TIRE               | 警示標誌            | 1               |                  |
| *                  |              | 87514-LLB1-E00  | 0         | CAUTION MAXIMUM CAPACITY | 警示標誌            | 1               |                  |
| *                  |              | 87515-LLB1-E00  | 0         | CAUTION LIST             | 警示標誌            | 1               |                  |
| *                  |              | 87517-LLB1-E00  | 0         | CAUTION DRIVE AGE        | 警示標誌            | 1               |                  |
| *                  |              | 87560-LLB1-E00  | 0         | MARK DRIVE CAUTION       | 警示標誌            | 1               |                  |

F 21 Emblem•Stripe



| 販賣記號<br>Sales mark | 項目<br>Ref no | 零件號碼<br>Part no | 版數<br>Ver | 英文名稱<br>Description | 中文名稱<br>Chinese | 需要用量<br>Regd no | 參考價<br>Ref Price |
|--------------------|--------------|-----------------|-----------|---------------------|-----------------|-----------------|------------------|
| **                 |              | 86101-LLB1-M00  | 0         | STRIPE FR COVER     | 前蓋標誌            | 1               |                  |
| **                 |              | 86151-LLB1-M00  | 0         | STRIPE R FR FENDER  | 右前土除標誌          | 1               |                  |
| **                 |              | 86161-LLB1-M00  | 0         | STRIPE L FR FENDER  | 左前土除標誌          | 1               |                  |



零件號碼索引  
**PARTS NO. INDEX**

零件號碼索引

PART NO. INDEX

| 零件號碼<br>PART NO. | 版數<br>VERSION | 頁次<br>PAGE | 零件號碼<br>PART NO.   | 版數<br>VERSION | 頁次<br>PAGE | 零件號碼<br>PART NO.  | 版數<br>VERSION | 頁次<br>PAGE |
|------------------|---------------|------------|--------------------|---------------|------------|-------------------|---------------|------------|
| 11000            |               |            | 13000              |               |            | 15000             |               |            |
| 11100-LLB1-900   | 0             | P-15       | 13000-LLB1-900     | 0             | P-27       | 15100-LLB1-900    | 0             | P-35       |
| 11107-LLB1-900   | 0             | P-77       | 13011-KAG-9000     | 1             | P-27       | 15131-LLB1-900    | 0             | P-27       |
| 11108-LLB1-900   | 0             | P-77       | 13101-KAG-9010     | 0             | P-27       | 15133-GY6-9010    | 0             | P-35       |
| 11192-LLB1-900   | 0             | P-15       | 13111-414-001      | 1             | P-27       | 15141-KEC2-9000   | 0             | P-35       |
| 11200-LLB1-900   | 0             | P-15       | 13417-KKA8-9000    | 0             | P-27       | 15421-107-0000    | 1             | P-15       |
| 1122A-LLB1-900   | 0             | P-15       | 13421-LLB1-900     | 0             | P-27       | 15426-GE1-9200    | 0             | P-15       |
| 11330-LLB1-900   | 0             | P-29       |                    |               |            | 15441-149-0010    | 0             | P-27       |
| 11341-LLB1-900   | 0             | P-15       | 14000              |               |            | 15447-149-0010    | 0             | P-27       |
| 11342-LLB1-900   | 0             | P-91       |                    |               |            | 1565A-GY6-9000    | 0             | P-29       |
| 11343-LLB1-900   | 0             | P-91       | 14100-LLB1-900     | 0             | P-23       | 15711-LLB1-900    | 0             | P-35       |
| 11344-LLB1-900   | 0             | P-91       | 14401-KEC8-9000-M1 | 0             | P-23       | 15772-292-0100    | 0             | P-77       |
| 11345-LLB1-900   | 0             | P-91       | 14431-KEC8-9000    | 1             | P-23       |                   |               |            |
| 11346-GY6-9010   | 0             | P-91       | 14451-KEC8-9000    | 1             | P-23       | 16000             |               |            |
| 11346-KKC3-900   | 0             | P-91       | 14452-KEC8-9000    | 0             | P-23       | 1610K-LLB1-900    | 0             | P-43       |
| 11394-LLB1-900   | 0             | P-29       | 14453-KEC8-9000    | 0             | P-23       | 1691A-GY6-9010-M2 | 0             | P-71       |
| 11395-LLB1-900   | 0             | P-15       | 14510-LLB1-900     | 0             | P-23       | 16950-LLB1-900    | 0             | P-71       |
|                  |               |            | 14520-GY6-9010-M1  | 1             | P-23       | 16952-LLB1-900    | 0             | P-71       |
| 12000            |               |            | 14523-GY6-9000     | 0             | P-23       |                   |               |            |
|                  |               |            | 1453A-LLB1-900     | 0             | P-23       | 17000             |               |            |
| 12100-KKA8-9000  | 0             | P-21       | 14610-LLB1-900     | 0             | P-23       |                   |               |            |
| 12191-KEC8-9000  | 0             | P-21       | 14711-437-000-M1   | 0             | P-23       | 17110-LLB1-900    | 0             | P-21       |
| 12200-KFB1-E00   | 2             | P-21       | 14721-437-0000-M1  | 0             | P-23       | 17211-439-0010    | 0             | P-77       |
| 12208-413-0040   | 0             | P-23       | 14751-KEC8-9000    | 0             | P-23       | 17214-LLB1-900    | 0             | P-77       |
| 12211-KEC8-9000  | 1             | P-23       | 14761-KEC8-9000    | 0             | P-23       | 17221-KG7-0010    | 0             | P-77       |
| 12251-KFB1-9000  | 0             | P-21       | 14771-107-0210     | 0             | P-23       | 17231-439-0010    | 0             | P-77       |
| 1231A-LLB1-900   | 0             | P-21       | 14775-107-0000     | 1             | P-23       | 17231-LLB1-900    | 0             | P-77       |
| 12361-GY6-9010   | 0             | P-15       | 14776-107-0100     | 1             | P-23       | 1723A-LLB1-900    | 0             | P-77       |
| 12391-KEC8-9000  | 0             | P-21       | 14781-107-0200     | 1             | P-25       | 17255-KAK-9000    | 0             | P-77       |
|                  |               |            |                    |               |            | 17257-LLB1-900    | 0             | P-77       |
|                  |               |            |                    |               |            | 17265-KG7-0010    | 0             | P-77       |

零 件 號 碼 索 引

PART NO. INDEX

| 零 件 號 碼<br>PART NO. | 版 數<br>VERSION | 頁 次<br>PAGE | 零 件 號 碼<br>PART NO. | 版 數<br>VERSION | 頁 次<br>PAGE | 零 件 號 碼<br>PART NO. | 版 數<br>VERSION | 頁 次<br>PAGE |
|---------------------|----------------|-------------|---------------------|----------------|-------------|---------------------|----------------|-------------|
| 17266-KG7-0010      | 0              | P-77        | 22300-LLB1-900      | 0              | P-31        | 2431A-LLB1-900      | 0              | P-39        |
| 17360-LLB1-900      | 0              | P-77        | 22350-KN7-6700      | 0              | P-31        | 24610-LLB1-900      | 0              | P-39        |
| 17370-419-7010      | 0              | P-77        | 22361-KN7-6710      | 0              | P-31        | 24701-LLB1-900      | 0              | P-39        |
| 17500-LLB1-900      | 0              | P-71        | 22401-LLB1-900      | 0              | P-31        | 24702-LLB1-900      | 0              | P-39        |
| 1760A-LLB1-900      | 0              | P-71        | 22530-KN7-6710      | 2              | P-31        | 24703-LLB1-900      | 0              | P-39        |
| 1760B-LLB1-900      | 0              | P-71        | 22804-GB2-0010      | 0              | P-31        | 24704-LLB1-900      | 0              | P-39        |
| 1763A-LLB1-900      | 0              | P-71        |                     |                |             | 24705-LLB1-900      | 0              | P-39        |
| 1770A-LLB1-900      | 0              | P-75        |                     |                |             | 24781-LLB1-900      | 0              | P-41        |
| 17910-LLB1-900      | 0              | P-53        | 23000               |                |             |                     |                |             |
| 17950-LLB1-900      | 0              | P-49        |                     |                |             |                     |                |             |
| 17955-LLB1-900      | 0              | P-91        | 2301A-LLB1-900      | 0              | P-31        | 28000               |                |             |
|                     |                |             | 23100-LLB1-90A      | 0              | P-31        |                     |                |             |
|                     |                |             | 23200-KBE-9000      | 0              | P-31        | 28101-GY6-9010      | 0              | P-35        |
|                     |                |             | 23211-LLB1-900      | 0              | P-39        | 28102-GY6-9010      | 0              | P-35        |
| 18000               |                |             | 23220-LLB1-900      | 0              | P-31        | 28110-GY6-901       | 1              | P-35        |
|                     |                |             | 23225-GC8-0040      | 0              | P-31        | 28120-GY6-9000      | 5              | P-35        |
| 18231-365-6710      | 0              | P-81        | 23226-GC8-0040      | 0              | P-31        | 28125-426-0010      | 0              | P-35        |
| 18233-383-9000      | 1              | P-81        | 23233-KN7-6710      | 0              | P-33        | 28125-GY6-9010      | 1              | P-35        |
| 18291-216-0010      | 1              | P-81        | 23237-KG8-9010      | 0              | P-33        | 28126-323-9000      | 0              | P-35        |
| 18294-KCT-9000      | 0              | P-81        | 23411-LLB1-900      | 0              | P-39        |                     |                |             |
| 1830A-LLB1-900      | 0              | P-81        | 23420-LLB1-900      | 0              | P-39        |                     |                |             |
| 18325-LLB1-900      | 0              | P-81        | 23425-LLB1-900      | 0              | P-39        | 30000               |                |             |
|                     |                |             | 23431-LLB1-900      | 0              | P-39        |                     |                |             |
|                     |                |             | 23441-LLB1-900      | 0              | P-39        | 30400-KG7-0000-M1   | 2              | P-89        |
| 22000               |                |             | 23451-LLB1-900      | 0              | P-39        | 3051A-LLB1-900      | 0              | P-89        |
|                     |                |             | 23472-LLB1-900      | 0              | P-39        |                     |                |             |
| 22100-KKA8-9000     | 0              | P-27        | 23481-LLB1-900      | 0              | P-39        |                     |                |             |
| 22101-KBE-9000      | 0              | P-31        | 23801-LLB1-900      | 0              | P-39        | 31000               |                |             |
| 22102-KKC3-9000     | 0              | P-31        | 23811-LLB1-900      | 0              | P-39        |                     |                |             |
| 22105-LLB1-900      | 0              | P-31        |                     |                |             | 31110-LLB1-90A      | 0              | P-29        |
| 22110-KKC3-9000     | 0              | P-31        |                     |                |             | 31110-LLB1-90B      | 0              | P-29        |
| 22112-KAA-9000-H1   | 0              | P-31        | 24000               |                |             | 31120-LLB1-90A      | 0              | P-29        |
| 22121-KAA-9000      | 2              | P-31        |                     |                |             | 31120-LLB1-90B      | 0              | P-29        |
| 22131-KAA-9000      | 1              | P-31        | 24221-LLB1-900      | 0              | P-39        | 31210-LLB1-900      | 0              | P-35        |
| 22132-KN7-6700      | 3              | P-31        | 24241-KGB4-C00      | 0              | P-39        | 31500-KAF-9000-M1   | 3              | P-73        |

零件號碼索引

PART NO. INDEX

| 零件號碼<br>PART NO.  | 版數<br>VERSION | 頁次<br>PAGE | 零件號碼<br>PART NO.   | 版數<br>VERSION | 頁次<br>PAGE | 零件號碼<br>PART NO.  | 版數<br>VERSION | 頁次<br>PAGE |
|-------------------|---------------|------------|--------------------|---------------|------------|-------------------|---------------|------------|
| 31600-KR1-7620-M1 | 2             | P-89       | 35010-LLB1-900     | 0             | P-89       | 42710-LLB1-900    | 0             | P-67       |
|                   |               |            | 3520A-LLB1-900     | 2             | P-89       |                   |               |            |
|                   |               |            | 35350-KBN-9000     | 0             | P-57       |                   |               |            |
|                   |               |            | 35759-LLB1-900     | 0             | P-15       | 43000             |               |            |
| 32000             |               |            | 35850-KHB4-9000-M2 | 1             | P-89       |                   |               |            |
|                   |               |            |                    |               |            | 43100-LLB1-800    | 0             | P-67       |
| 32100-LLB1-900    | 0             | P-89       |                    |               |            | 43126-LLB1-800    | 0             | P-57       |
| 32101-LLB1-800    | 0             | P-89       |                    |               |            | 43210-LLB1-800    | 0             | P-67       |
| 32410-LLB1-900    | 0             | P-35       | 39000              |               |            | 43350-LLB1-800    | 0             | P-67       |
| 32411-LLB1-900    | 0             | P-89       |                    |               |            | 43351-KBE-9000    | 2             | P-67       |
| 32976-107-0010    | 0             | P-15       | 39000-LLB1-900     | 0             | P-89       |                   |               |            |
|                   |               |            |                    |               |            | 44000             |               |            |
| 33000             |               |            | 40000              |               |            |                   |               |            |
|                   |               |            |                    |               |            | 44311-LLB1-900    | 0             | P-63       |
| 33100-LLB1-900    | 0             | P-49       | 40510-LLB1-900     | 0             | P-41       | 4460A-LLB1-900    | 0             | P-63       |
| 33103-LLB1-900    | 0             | P-49       | 40530-LLB1-900     | 0             | P-41       | 44620-LLB1-900    | 0             | P-63       |
| 33120-LLB1-900    | 0             | P-49       | 40540-LLB1-800     | 0             | P-83       | 44705-LLB1-900    | 0             | P-63       |
| 33130-LLB1-900    | 0             | P-49       | 4054A-LLB1-900     | 0             | P-83       | 44710-LLB1-900    | 0             | P-63       |
| 33700-LLB1-900    | 0             | P-87       |                    |               |            |                   |               |            |
| 33702-LLB1-900    | 0             | P-87       |                    |               |            |                   |               |            |
| 33703-LLB1-900    | 0             | P-87       | 41000              |               |            | 45000             |               |            |
| 33705-LLB1-900    | 0             | P-87       |                    |               |            |                   |               |            |
| 33710-LLB1-900    | 0             | P-87       | 41201-LLB1-900     | 0             | P-51       | 45100-LLB1-900    | 0             | P-63       |
|                   |               |            | 41211-LLB1-900     | 0             | P-51       | 45105-KFA6-3050   | 0             | P-67       |
| 34000             |               |            |                    |               |            | 45120-KCX-9100    | 1             | P-63       |
|                   |               |            | 42000              |               |            | 45133-028-0000    | 1             | P-63       |
|                   |               |            |                    |               |            | 45134-250-0000    | 0             | P-63       |
| 34901-KFA6-9000   | 0             | P-49       |                    |               |            | 45141-LLB1-900    | 0             | P-63       |
| 34906-KCP-9000    | 0             | P-87       | 42301-LLB1-900     | 0             | P-83       | 45145-LLB1-900    | 0             | P-63       |
| 34909-LLB1-900    | 0             | P-49       | 42312-LLB1-900     | 0             | P-83       | 45350-KBE-3050    | 0             | P-57       |
|                   |               |            | 42610-LLB1-800     | 0             | P-83       | 45410-LLB1-900    | 0             | P-63       |
|                   |               |            | 42615-LLB1-800     | 0             | P-83       | 45450-LLB1-900    | 0             | P-63       |
|                   |               |            | 42705-LLB1-900     | 0             | P-67       | 45513-GW0-9120-M1 | 0             | P-57       |
| 35000             |               |            | 42707-LLB1-900     | 0             | P-67       | 45517-KAF-9100    | 0             | P-57       |



零件號碼索引

PART NO. INDEX

| 零件號碼<br>PART NO. | 版數<br>VERSION | 頁次<br>PAGE | 零件號碼<br>PART NO. | 版數<br>VERSION | 頁次<br>PAGE | 零件號碼<br>PART NO. | 版數<br>VERSION | 頁次<br>PAGE |
|------------------|---------------|------------|------------------|---------------|------------|------------------|---------------|------------|
|                  |               |            | 52000            |               |            | 61000            |               |            |
| 46000            |               |            | 52100-LLB1-800   | 0             | P-91       | 61104-357-0010   | 0             | P-71       |
|                  |               |            | 52101-LLB1-900   | 0             | P-91       | 61104-357-0010   | 0             | P-89       |
| 46100-LLB1-900   | 0             | P-63       | 52105-LLB1-900   | 0             | P-91       | 61104-LLB1-900   | 0             | P-71       |
| 46410-LLB1-900   | 0             | P-63       | 52108-KE5-0040   | 0             | P-91       | 61200-LLB1-900   | 0             | P-57       |
| 46450-LLB1-900   | 0             | P-63       | 52144-GE2-0060   | 0             | P-91       | 61300-LLB1-900   | 0             | P-57       |
|                  |               |            | 52400-LLB1-800   | 0             | P-85       | 61301-LLB1-900   | 0             | P-49       |
|                  |               |            | 52406-LLB1-900   | 0             | P-85       | 61700-LLB1-900   | 0             | P-57       |
| 47000            |               |            | 52407-LLB1-900   | 0             | P-85       |                  |               |            |
|                  |               |            | 52408-LLB1-900   | 0             | P-85       |                  |               |            |
| 47400-LLB1-900   | 0             | P-61       |                  |               |            | 64000            |               |            |
| 47405-LLB1-900   | 0             | P-61       |                  |               |            |                  |               |            |
| 47500-LLB1-900   | 0             | P-61       | 53000            |               |            | 64303-LLB1-900   | 0             | P-57       |
|                  |               |            | 53100-LLB1-900   | 0             | P-53       | 64304-LLB1-900   | 0             | P-57       |
|                  |               |            | 53131-439-0010   | 0             | P-53       | 64312-LLB1-900   | 0             | P-57       |
| 50000            |               |            | 53132-LLB1-900   | 0             | P-53       |                  |               |            |
|                  |               |            | 53161-LLB1-900   | 0             | P-57       | 77000            |               |            |
| 50100-LLB1-900   | 0             | P-91       | 53166-KC5-0010   | 0             | P-53       |                  |               |            |
| 50162-LLB1-900   | 0             | P-91       | 53178-KBE-9000   | 0             | P-57       | 77200-LLB1-900   | 0             | P-69       |
| 50166-LLB1-900   | 0             | P-91       | 5317A-LLB1-800   | 0             | P-57       |                  |               |            |
| 50306-LLB1-900   | 0             | P-83       | 53200-LLB1-900   | 0             | P-55       |                  |               |            |
| 50326-LLB1-900   | 0             | P-75       | 53205-LLB1-900   | 0             | P-53       | 80000            |               |            |
| 50351-LLB1-900   | 0             | P-91       | 53250-LLB1-900   | 0             | P-55       |                  |               |            |
| 50612-LLB1-900   | 0             | P-57       | 53251-LLB1-900   | 0             | P-55       | 80100-LLB1-900   | 0             | P-75       |
|                  |               |            | 53252-LLB1-900   | 0             | P-55       | 80121-LLB1-900   | 0             | P-75       |
|                  |               |            | 53253-LLB1-900   | 0             | P-55       | 80122-LLB1-900   | 0             | P-75       |
| 51000            |               |            | 53400-LLB1-900   | 0             | P-61       | 80157-KBC-9000   | 0             | P-61       |
|                  |               |            | 53402-LLB1-900   | 0             | P-61       | 80157-KBC-9000   | 0             | P-85       |
| 51400-LLB1-900   | 0             | P-85       | 53500-LLB1-900   | 0             | P-61       | 80200-LLB1-900   | 0             | P-75       |
| 51408-LLB1-900   | 0             | P-91       | 53700-LLB1-900   | 0             | P-61       |                  |               |            |
| 51409-LLB1-900   | 0             | P-91       |                  |               |            |                  |               |            |

# 零件號碼索引

## PART NO. INDEX

| 零件號碼<br>PART NO. | 版數<br>VERSION | 頁次<br>PAGE | 零件號碼<br>PART NO.  | 版數<br>VERSION | 頁次<br>PAGE | 零件號碼<br>PART NO.  | 版數<br>VERSION | 頁次<br>PAGE |
|------------------|---------------|------------|-------------------|---------------|------------|-------------------|---------------|------------|
| 81000            |               |            | 90001-GHB-7110    | 0             | P-15       | 90403-LLB1-900    | 0             | P-35       |
| 81200-LLB1-900   | 0             | P-91       | 90001-GY6-9010    | 1             | P-15       | 90426-KBN-9010    | 0             | P-33       |
| 81250-LLB1-900   | 0             | P-75       | 90001-GY6-9010    | 1             | P-35       | 90441-GY6-9410    | 0             | P-33       |
| 85000            |               |            | 90005-KEC8-9000   | 1             | P-25       | 90441-KY4-9000    | 0             | P-15       |
| 85100-LLB1-900   | 0             | P-91       | 90012-415-0010    | 0             | P-25       | 90443-KEC2-9000   | 0             | P-27       |
|                  |               |            | 90031-KBE-9000    | 0             | P-15       | 90451-107-0000    | 1             | P-41       |
|                  |               |            | 90033-LLB1-900    | 0             | P-51       | 90451-LLB1-900    | 0             | P-41       |
|                  |               |            | 90084-428-0010    | 0             | P-29       | 90455-LLB1-900    | 0             | P-41       |
|                  |               |            | 90105-LLB1-900    | 0             | P-63       | 90465-MC4-0010    | 0             | P-25       |
|                  |               |            | 90105-LLB1-900    | 0             | P-67       | 90474-333-0010    | 0             | P-15       |
| 86000            |               |            | 90110-LLB1-900    | 0             | P-57       | 90501-LLB1-900    | 0             | P-63       |
| 86101-LLB1-M00   | 0             | P-97       | 90110-LLB1-900    | 0             | P-75       | 90501-LLB1-900    | 0             | P-67       |
| 86151-LLB1-M00   | 0             | P-97       | 90112-GZ0-0010    | 1             | P-67       | 90502-LLB1-900    | 0             | P-83       |
| 86161-LLB1-M00   | 0             | P-97       | 90112-KBN-9010    | 0             | P-57       | 9052A-GY6-9500    | 0             | P-15       |
|                  |               |            | 90112-KBN-9010    | 0             | P-75       | 90545-300-0010    | 2             | P-59       |
|                  |               |            | 90112-KDR-9000    | 0             | P-89       | 90605-166-7210    | 0             | P-33       |
|                  |               |            | 90114-166-0070    | 1             | P-57       | 90656-KCBC-9000   | 0             | P-89       |
| 87000            |               |            | 90122-LLB1-800    | 0             | P-67       | 90677-GR1-0030    | 1             | P-75       |
| 87505-LLB1-E00   | 0             | P-95       | 90133-LLB1-900    | 0             | P-15       | 90701-GY6-9010    | 0             | P-35       |
| 87514-LLB1-E00   | 0             | P-95       | 90145-MS9-6120-M1 | 0             | P-57       | 90701-HB6-0110    | 0             | P-27       |
| 87515-LLB1-E00   | 0             | P-95       | 90201-GY6-9010    | 0             | P-35       | 90750-LLB1-900    | 0             | P-15       |
| 87517-LLB1-E00   | 0             | P-95       | 90201-LLB1-900    | 0             | P-27       | 90754-LLB1-900    | 0             | P-63       |
| 87560-LLB1-E00   | 0             | P-95       | 90202-KN7-6710    | 0             | P-33       |                   |               |            |
|                  |               |            | 90206-250-0010    | 0             | P-25       |                   |               |            |
|                  |               |            | 90231-KEC2-9000   | 1             | P-27       |                   |               |            |
|                  |               |            | 90302-GY6-9400    | 0             | P-57       | 91000             |               |            |
| 89000            |               |            | 90304-GW0-9020-M2 | 0             | P-51       |                   |               |            |
| 89010-LLB1-900   | 0             | P-69       | 90304-GW0-9020-M2 | 0             | P-61       | 91001-GY6-9020-M1 | 0             | P-33       |
|                  |               |            | 90304-GW0-9020-M2 | 0             | P-63       | 91002-GA7-7020-M1 | 0             | P-33       |
|                  |               |            | 90304-GW0-9020-M2 | 0             | P-67       | 91009-KHE7-9000   | 0             | P-15       |
|                  |               |            | 90304-GW0-9020-M2 | 0             | P-93       | 91009-KKC3-9000   | 0             | P-17       |
| 90000            |               |            | 90305-GE8-0030    | 1             | P-83       | 91101-179-7110-M1 | 0             | P-35       |
| 90001-GHB-6610   | 0             | P-25       | 90309-GW0-9010-M1 | 0             | P-67       | 91101-LLB1-900    | 0             | P-17       |
| 90001-GHB-6610   | 0             | P-77       | 90401-KJ9-0010    | 0             | P-27       | 91104-GY6-9020-M1 | 0             | P-35       |
|                  |               |            | 90403-KDU-9000    | 0             | P-35       | 91107-LLB1-900    | 0             | P-41       |

零 件 號 碼 索 引

PART NO. INDEX

| 零 件 號 碼<br>PART NO. | 版 數<br>VERSION | 頁 次<br>PAGE | 零 件 號 碼<br>PART NO. | 版 數<br>VERSION | 頁 次<br>PAGE | 零 件 號 碼<br>PART NO. | 版 數<br>VERSION | 頁 次<br>PAGE |
|---------------------|----------------|-------------|---------------------|----------------|-------------|---------------------|----------------|-------------|
| 91202-KHE7-9000     | 0              | P-17        | 93500-KGBG-9000     | 0              | P-89        | 94111-08800         | 0              | P-83        |
| 91202-KJ9-0040      | 0              | P-17        | 93600-04012-1G      | 0              | P-59        | 94111-12800         | 0              | P-83        |
| 91206-286-0140      | 0              | P-17        | 93891-05012-07      | 0              | P-75        | 94201-20150         | 0              | P-41        |
| 91211-KBE-9000      | 0              | P-33        | 93891-05016-08      | 0              | P-77        | 94201-25250         | 0              | P-61        |
| 91251-GC8-0060      | 0              | P-65        | 93893-04012-18      | 0              | P-59        | 94201-30250         | 0              | P-85        |
| 91254-LLB1-900      | 0              | P-83        | 93901-14020         | 0              | P-77        | 94201-30300         | 0              | P-55        |
| 91255-LLB1-900      | 0              | P-17        | 93903-25480         | 0              | P-41        | 94201-30300         | 0              | P-65        |
| 91301-GR0-0040      | 0              | P-25        | 93903-35380         | 0              | P-59        | 94201-30300         | 0              | P-67        |
| 91302-001-0210      | 0              | P-17        |                     |                |             | 94301-08140         | 0              | P-29        |
| 91302-200-0010      | 0              | P-21        |                     |                |             | 94301-10160         | 0              | P-17        |
| 91303-LLB1-900      | 0              | P-55        | 94000               |                |             | 94301-10160         | 0              | P-21        |
| 91306-105-6910      | 0              | P-25        |                     |                |             | 94401-KEC2-9000     | 0              | P-27        |
| 91307-035-0010      | 0              | P-29        | 94001-05000-0S      | 0              | P-59        | 94510-20000         | 0              | P-17        |
| 91384-KBE-9000      | 0              | P-33        | 94001-06080-0S      | 0              | P-81        | 94510-20000         | 0              | P-41        |
| 91509-LLB1-900      | 0              | P-17        | 94001-08080-0S      | 0              | P-83        | 94510-22000         | 0              | P-41        |
|                     |                |             | 94001-10080-0S      | 0              | P-53        | 94510-25000         | 0              | P-41        |
| 92000               |                |             | 94011-LLB1-900      | 0              | P-55        | 94520-28000         | 0              | P-33        |
|                     |                |             | 94011-LLB1-900      | 0              | P-65        | 94520-52000         | 0              | P-17        |
|                     |                |             | 94011-LLB1-900      | 0              | P-67        | 94540-12028         | 0              | P-41        |
| 92000-08036-0H      | 0              | P-53        | 94050-06080         | 0              | P-37        | 94601-15000         | 0              | P-27        |
| 92101-05012-0H      | 0              | P-93        | 94050-06080         | 0              | P-59        | 94601-33000         | 0              | P-33        |
| 92101-06010-0A      | 0              | P-41        | 94050-06080         | 0              | P-65        |                     |                |             |
| 92101-06012-0H      | 0              | P-41        | 94050-06080         | 0              | P-75        |                     |                |             |
| 92201-05025-0H      | 0              | P-29        | 94050-06080         | 0              | P-87        | 95000               |                |             |
| 92700-06035-3E      | 0              | P-21        | 94050-06080         | 0              | P-89        |                     |                |             |
| 92712-06028-0B      | 0              | P-21        | 94050-06080         | 0              | P-93        | 95002-02120         | 0              | P-77        |
|                     |                |             | 94050-08080         | 0              | P-25        | 95002-02140         | 0              | P-79        |
| 93000               |                |             | 94050-12080         | 0              | P-33        | 95002-41250-00      | 0              | P-71        |
|                     |                |             | 94101-06200         | 0              | P-81        | 95002-5000          | 0              | P-79        |
|                     |                |             | 94101-08800         | 0              | P-53        | 9500C-LLB1-900      | 0              | P-71        |
| 93401-06020-07      | 0              | P-59        | 94101-08800         | 0              | P-83        | 9500E-LLB1-900      | 0              | P-71        |
| 93404-06020-07      | 0              | P-75        | 94101-10800         | 0              | P-55        | 95701-06022-07      | 0              | P-59        |
| 93500-04025-0H      | 0              | P-77        | 94102-08000         | 0              | P-41        | 95701-06022-07      | 0              | P-71        |
| 93500-05016-0H      | 0              | P-29        | 94102-10800         | 0              | P-53        | 95701-06028-08      | 0              | P-21        |
| 93500-05016-1B      | 0              | P-71        | 94111-06800         | 0              | P-81        | 95701-06028-08      | 0              | P-65        |

零 件 號 碼 索 引

PART NO. INDEX

| 零 件 號 碼<br>PART NO. | 版 數<br>VERSION | 頁 次<br>PAGE | 零 件 號 碼<br>PART NO. | 版 數<br>VERSION | 頁 次<br>PAGE | 零 件 號 碼<br>PART NO. | 版 數<br>VERSION | 頁 次<br>PAGE |
|---------------------|----------------|-------------|---------------------|----------------|-------------|---------------------|----------------|-------------|
| 95701-06028-08      | 0              | P-83        | 96001-06110-08      | 0              | P-21        | D19KT-004-0900      | 0              | P-43        |
| 95701-08012-08      | 0              | P-17        | 96001-06125-08      | 0              | P-29        | D19KT-004-1300      | 0              | P-43        |
| 95701-08012-08      | 0              | P-93        | 96100-62020-00      | 0              | P-17        | D19KT-004-3700      | 0              | P-43        |
| 95701-08016-07      | 0              | P-59        | 96100-62030-00      | 0              | P-19        | D19KT-005-0200      | 0              | P-43        |
| 95701-08020-07      | 0              | P-93        | 96100-62040-00      | 0              | P-19        | D19KT-009-1400      | 0              | P-43        |
| 95701-08028-07      | 0              | P-49        | 96100-62043-00-M1   | 0              | P-19        | D19KT-009-1500      | 0              | P-43        |
| 95701-08028-07      | 0              | P-81        | 96100-63020-00      | 0              | P-19        | D19KT-010-2700      | 0              | P-43        |
| 95701-10012-08      | 0              | P-17        | 96100-63030-00      | 0              | P-19        | D19KT-014-2100      | 0              | P-45        |
| 95801-08012-08      | 0              | P-83        | 96150-60030-10      | 0              | P-65        | D19KT-016-1100      | 0              | P-45        |
| 95801-08016-08      | 0              | P-83        | 96150-69070-10      | 0              | P-83        | D19KT-019-0500      | 0              | P-45        |
| 95801-08060-07      | 0              | P-55        | 96211-LLB1-900      | 0              | P-19        | D19KT-021-1000      | 0              | P-45        |
| 95801-10040-08      | 0              | P-85        | 96220-20118         | 0              | P-27        |                     |                |             |
| 95801-10057-07      | 0              | P-61        | 96220-60100         | 0              | P-37        |                     |                |             |
| 95801-10100-07      | 0              | P-93        |                     |                |             |                     |                |             |
| 95801-10140-07      | 0              | P-93        |                     |                |             |                     |                |             |
| 95801-10160-07      | 0              | P-93        | 98000               |                |             |                     |                |             |
| 95801-LLB1-900      | 0              | P-83        |                     |                |             |                     |                |             |
|                     |                |             | 98069-5771R         | 0              | P-21        |                     |                |             |
|                     |                |             | 98200-11500         | 0              | P-89        |                     |                |             |
| 96000               |                |             |                     |                |             |                     |                |             |
| 96001-06010-08      | 0              | P-17        | D19KT               |                |             |                     |                |             |
| 96001-06012-02      | 0              | P-81        |                     |                |             |                     |                |             |
| 96001-06012-08      | 0              | P-17        | D19KT-002-0700      | 0              | P-43        |                     |                |             |
| 96001-06012-08      | 0              | P-37        | D19KT-002-0800      | 0              | P-43        |                     |                |             |
| 96001-06016-08      | 0              | P-25        | D19KT-002-1201      | 0              | P-43        |                     |                |             |
| 96001-06016-08      | 0              | P-37        | D19KT-002-1500      | 0              | P-43        |                     |                |             |
| 96001-06016-08      | 0              | P-89        | D19KT-002-1600      | 0              | P-43        |                     |                |             |
| 96001-06020-08      | 0              | P-29        | D19KT-002-3100      | 0              | P-43        |                     |                |             |
| 96001-06028-08      | 0              | P-37        | D19KT-003-0600      | 0              | P-43        |                     |                |             |
| 96001-06032-08      | 0              | P-17        | D19KT-003-1900      | 0              | P-43        |                     |                |             |
| 96001-06040-08      | 0              | P-17        | D19KT-003-2500      | 0              | P-43        |                     |                |             |
| 96001-06045-08      | 0              | P-17        | D19KT-003-2800      | 0              | P-43        |                     |                |             |
| 96001-06045-08      | 0              | P-29        | D19KT-003-3000      | 0              | P-43        |                     |                |             |
| 96001-06060-08      | 0              | P-17        | D19KT-004-0100      | 0              | P-43        |                     |                |             |

零件號碼索引

PART NO. INDEX

| 零件號碼<br>PART NO. | 版數<br>VERSION | 頁次<br>PAGE | 零件號碼<br>PART NO. | 版數<br>VERSION | 頁次<br>PAGE | 零件號碼<br>PART NO. | 版數<br>VERSION | 頁次<br>PAGE |
|------------------|---------------|------------|------------------|---------------|------------|------------------|---------------|------------|
|                  |               |            |                  |               |            |                  |               |            |

零 件 號 碼 索 引

PART NO. INDEX

| 零 件 號 碼<br>PART NO. | 版 數<br>VERSION | 頁 次<br>PAGE | 零 件 號 碼<br>PART NO. | 版 數<br>VERSION | 頁 次<br>PAGE | 零 件 號 碼<br>PART NO. | 版 數<br>VERSION | 頁 次<br>PAGE |
|---------------------|----------------|-------------|---------------------|----------------|-------------|---------------------|----------------|-------------|
|                     |                |             |                     |                |             |                     |                |             |

零 件 號 碼 索 引

PART NO. INDEX

| 零 件 號 碼<br>PART NO. | 版 數<br>VERSION | 頁 次<br>PAGE | 零 件 號 碼<br>PART NO. | 版 數<br>VERSION | 頁 次<br>PAGE | 零 件 號 碼<br>PART NO. | 版 數<br>VERSION | 頁 次<br>PAGE |
|---------------------|----------------|-------------|---------------------|----------------|-------------|---------------------|----------------|-------------|
|                     |                |             |                     |                |             |                     |                |             |