

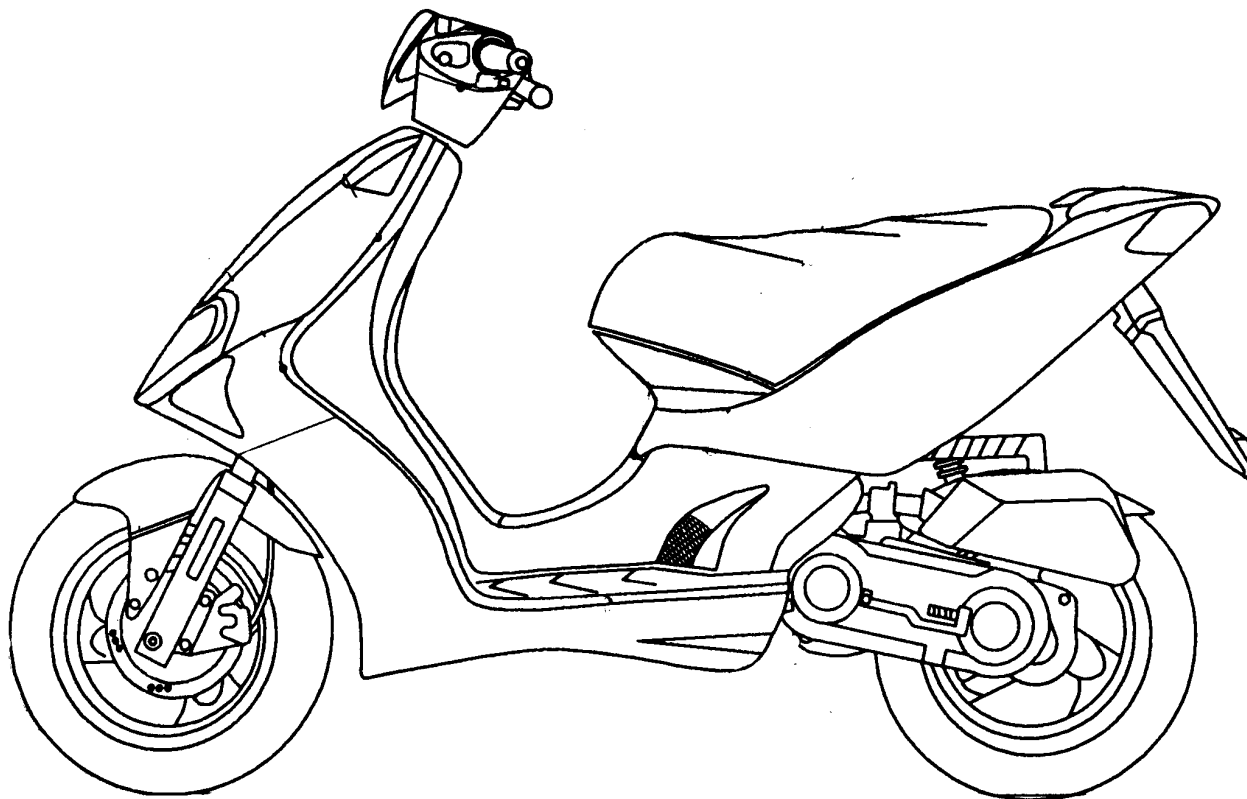


S U P E R 9 5 0

# 零件型錄

## PARTS CATALOGUE

SH10DA(US) : FEB /05 /'02 制訂



光陽機車

KYMCO

光陽機車

KYMCO

光陽機車

KYMCO

## 前 言

- 本零件目錄適用於 SH10DA(US) 機種，訂購零件時，請參照本冊。
- 本冊之配色表僅供參考，若與實車不符之處，以實車為準。
- 販賣記號(Sales mark)：
  - 1、註明 ★★ 記號，表示訂購該零件時，請參照機車相片及配色表，並請在基本零件號碼最後加上色碼。
  - 2、註明 ★ 記號，表示該零件為補修零件。
- 本冊付梓印刷倉促，倘有錯誤或遺漏之處，敬請不吝賜教指正。

## ABOUT THIS PARTS LIST

- This parts list is compiled all service parts for model SH10DA(US)。
- Any difference between color chart and motorcycle will be revised according to motorcycle。
- The sales mark：
  - 1、marking "★★" must add color code in the end before ordering parts。
  - 2、marking "★" is a saleable item。
- When modification or additions to this parts list are made a revised edition at an appropriate time。

## 目 次

|                      |     |
|----------------------|-----|
| ●前 言 .....           | 1   |
| ●SH10DA(US) 配色表..... | 5   |
| ●引擎分組圖 .....         | 7   |
| ●車架分組圖 .....         | 9   |
| ●引擎零件號碼表.....        | 13  |
| ●車架零件號碼表.....        | 47  |
| ●零件號碼索引 .....        | 113 |

## CONTENTS

|                                 |     |
|---------------------------------|-----|
| ●ABOUT THIS PARTS LIST.....     | 1   |
| ●COLOR CHART OF SH10DA(US)..... | 5   |
| ●CONTENTS-ENGINE GROUP .....    | 7   |
| ●CONTENTS-FRAME GROUP .....     | 9   |
| ●ENGINE PARTS LIST .....        | 13  |
| ●FRAME PARTS LIST .....         | 47  |
| ●PART NO. INDEX.....            | 113 |

| 機種名稱 (MODEL)                  |                       | SH10DA(US) COLOR CHART |             |               |          |                    |         |         |
|-------------------------------|-----------------------|------------------------|-------------|---------------|----------|--------------------|---------|---------|
| 項次                            | 相片號碼 (PHOTO NO)       | NO.1                   | NO.2        | NO.3          | NO.4     | NO.5               |         |         |
| NO                            | 主體色 (BASIC COLOR)     | 深藍                     | 黃           | 亮銀            | 豔紅       | 深鐵灰                |         |         |
|                               | 色碼 (CODE)             | Deep Blue Metallic     | Yellow      | Bright Silver | Ruby Red | Dark Gray Metallic |         |         |
|                               | 色別零件名稱(PARTS NAME)    | 基本零件號碼(PARTS NO)       | 版數(VERSION) | PB183MA       | YR108SA  | NH045MA            | RR004CA | NH124MA |
| 1                             | COVER R BODY          | 83500-KGB5-900         | 0           | BHP           | Y5P      | NH045P             | R1P     | NFP     |
| 2                             | COVER L BODY          | 83600-KGB5-900         | 0           |               |          |                    |         |         |
| 3                             | COVER UPPER HANDLE    | 53205-KGB5-900         | 0           |               |          |                    |         |         |
| 4                             | MOLDING FR            | 64302-KGB5-900         | 1           |               |          |                    |         |         |
| 5                             | FENDER FR             | 61100-KGB5-900         | 0           |               |          |                    |         |         |
| 6                             | COVER RR CENTER       | 83750-KGB5-900         | 0           |               |          |                    |         |         |
| 7                             | COVER UNDER BODY      | 80101-KGB5-900         | 3           |               |          |                    |         |         |
| 8                             | COVER LOWER HANDLE    | 53206-KGB5-M00         | 0           |               |          |                    |         |         |
| 9                             | LEG SHIELD            | 81131-KGB5-900         | 1           |               |          |                    |         |         |
| 10                            | LID LEG SHIELD        | 81132-KGB5-900         | 0           |               |          |                    |         |         |
| 11                            | FLOOR PANEL           | 64310-KGB5-900         | 1           |               |          |                    |         |         |
| 12                            | COVER R INNER SIDE    | 64307-KGB5-900         | 0           |               |          |                    |         |         |
| 13                            | COVER L INNER SIDE    | 64308-KGB5-900         | 0           |               |          |                    |         |         |
| 14                            | GRIP R SIDE           | 83520-KGB5-900         | 0           |               |          |                    |         |         |
| 15                            | GRIP L SIDE           | 83620-KGB5-900         | 0           |               |          |                    |         |         |
| 16                            | GRIP COMP THROT       | 53140-KGB5-900         | 0           |               |          |                    |         |         |
| 17                            | GRIP L HANDLE         | 53166-KGB5-900         | 0           |               |          |                    |         |         |
| 18                            | GRILL FRONT           | 64303-KGB5-900         | 1           | NEP           |          |                    |         |         |
| 19                            | FENDER FR INNER       | 61110-KGB5-900         | 1           | N1R           |          |                    |         |         |
| 20                            | BOX TUNNEL INNER      | 64343-KGB5-900         | 0           | N1R           |          |                    |         |         |
| 21                            | SKIRT R SIDE          | 64305-KGB5-M00         | 0           | BHP           | N8P      |                    |         |         |
| 22                            | SKIRT L SIDE          | 64306-KGB5-M00         | 0           |               |          |                    |         |         |
| 23                            | FENDER B REAR         | 80107-KEB7-900         | 1           |               |          |                    |         |         |
| 24                            | MIRROR ASSY R BACK    | 88110-KEB7-E00         | 0           |               |          |                    |         |         |
| 25                            | MIRROR ASSY L BACK    | 88120-KEB7-E00         | 0           |               |          |                    |         |         |
| 26                            | COVER FR INNER CENTER | 64304-KGB5-900         | 0           | N1R           |          |                    |         |         |
| 27                            | COVER FR              | 64301-KGB5-900         | 0           |               |          |                    |         |         |
| 28                            | METER COVER FR        | 37111-KGB5-900         | 0           |               |          |                    |         |         |
| 29                            | METER COVER RR        | 37112-KGB5-900         | 0           | NFP           |          |                    |         |         |
| 30                            | COVER TUNNEL          | 64341-KGB5-900         | 4           |               |          |                    |         |         |
| 31                            | LID TUNNEL            | 64342-KGB5-900         | 1           |               |          |                    |         |         |
| 32                            | DISK FR BRAKE         | 45121-KGB5-900         | 0           |               |          |                    |         |         |
| 33                            | DISK RR BRAKE         | 43351-KBE-9000         | 2           | M2S           |          |                    |         |         |
| 34                            | LEVER R STRG HNDL     | 53175-KBX-E00          | 3           |               |          |                    |         |         |
| 35                            | LEVER L STRG HANDLE   | 53178-KBK-E00          | 0           | M3A           |          |                    |         |         |
| 36                            | GRIP RR               | 81300-KGB5-900         | 0           | N8A           |          |                    |         |         |
| 37                            | FORK SET R FR         | 5140A-KGB5-900         | 1           |               |          |                    |         |         |
| 38                            | FORK SET L FR         | 5150A-KGB5-900         | 1           |               |          |                    |         |         |
| 39                            | WHEEL SET FR          | 44650-KFC8-305         | 0           |               |          |                    |         |         |
| 40                            | CALIPER ASSY FR       | 45200-KGB5-E90         | 0           |               |          |                    |         |         |
| 41                            | CALIPER ASSY RR       | 43100-KGB5-900         | 0           | NJA           |          |                    |         |         |
| 42                            | WHEEL COMP RR CAST    | 42601-KFC8-900         | 0           |               |          |                    |         |         |
| 生產日期 (DATE OF STARTING-SALES) |                       |                        |             |               |          |                    |         |         |
| 停產日期 (DATE OF ENDING-SALES)   |                       |                        |             |               |          |                    |         |         |







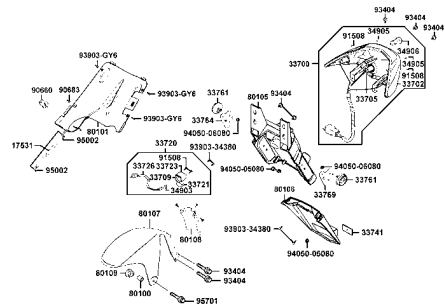




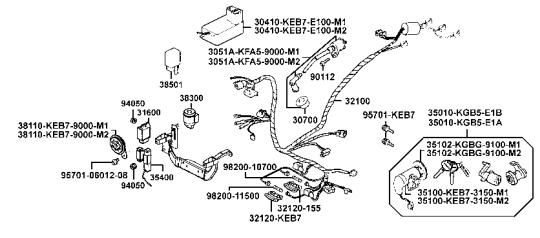


# CONTENTS-FRAME GROUP

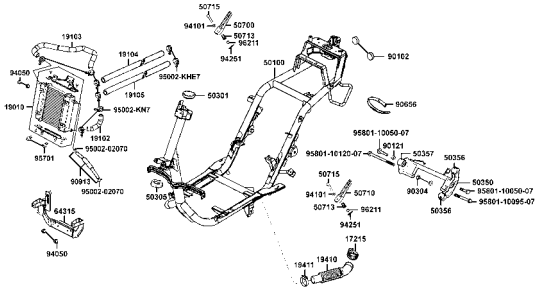
**F19** 後燈  
Tail Light -95-



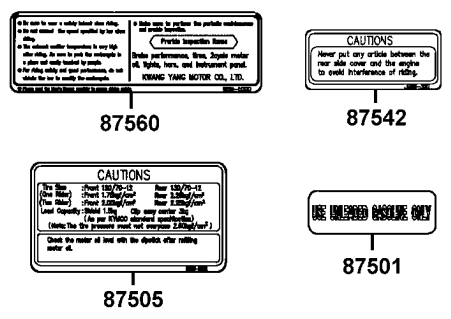
**F20** 主電路配線  
Wire Harness -99-



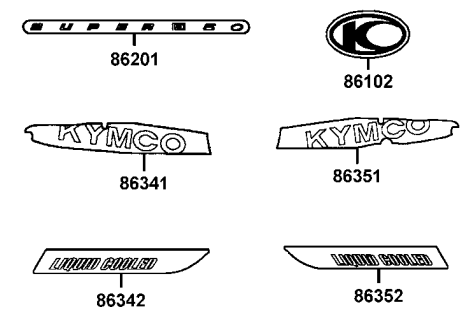
**F21** 車體  
Frame Body -103-



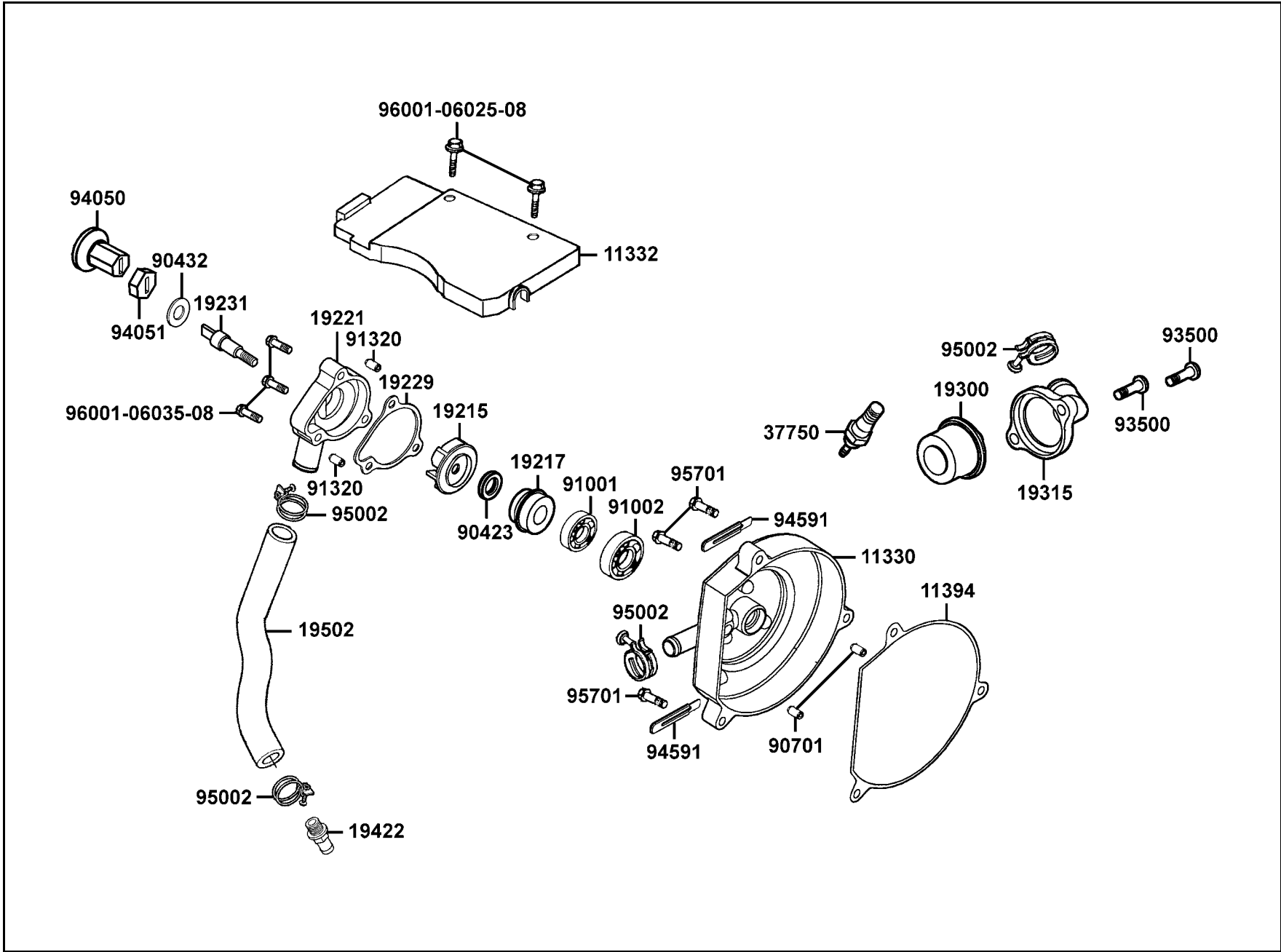
**F22** 注意標籤  
Caution Label -107-



**F23** 標徽●貼紙  
Emblem●Stripe -109-



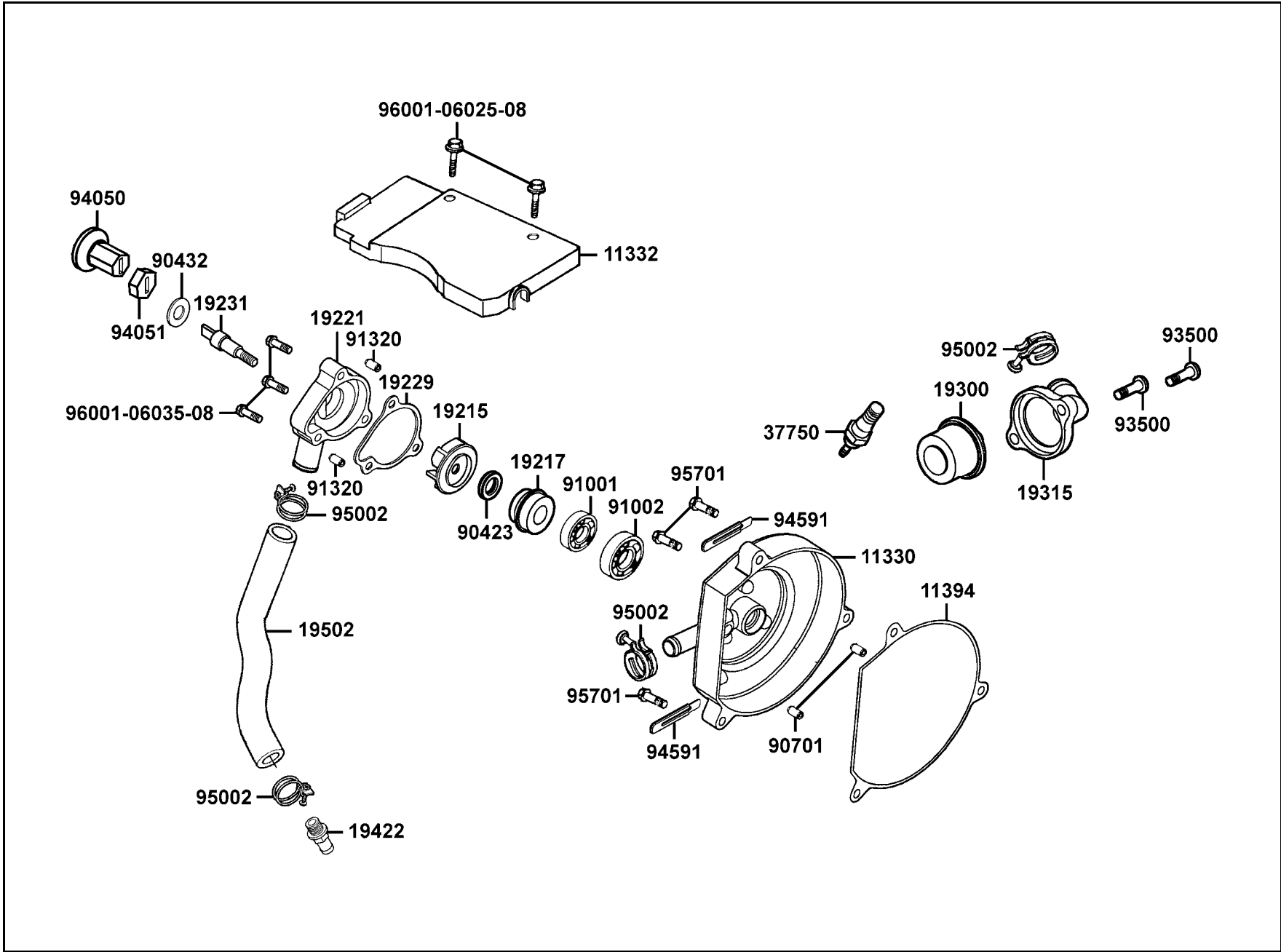
**E 1 Water Pump**



| 販賣記號       | 項目     | 零件號碼              | 版數  | 英 文 名 稱                | 中 文 名 稱       | 需要用量    | 參考價       |
|------------|--------|-------------------|-----|------------------------|---------------|---------|-----------|
| Sales mark | Ref no | Part no           | Ver | Description            | Chinese       | Regd no | Ref Price |
| *          |        | 11330-KFA5-9000   | 6   | COVER R SIDE           | 右曲軸箱蓋         | 1       |           |
| *          |        | 11332-KFA5-9000   | 0   | COVER ACG TOP          | 交流發電機頂蓋       | 1       |           |
| *          |        | 11394-KHE6-E000   | 0   | GASKET R COVER         | 右曲軸箱蓋墊片       | 1       |           |
| *          |        | 19215-KFA5-9000   | 0   | IMPELLER WATER PUMP    | 水泵葉輪          | 1       |           |
| *          |        | 19217-657-0240    | 0   | SEAL MECHANICAL        | 機械油封          | 1       |           |
| *          |        | 19221-KFA5-9000   | 0   | COVER WATER PUMP       | 水泵蓋           | 1       |           |
| *          |        | 19229-KFA5-9000   | 0   | GASKET WATER PUMP      | 水泵墊片          | 1       |           |
| *          |        | 19231-KFA5-9000   | 3   | SHAFT WATER PUMP       | 水泵樞軸          | 1       |           |
| *          |        | 19300-KE1-0030-M1 | 1   | THERMOSTAT ASSY        | 恆溫器           | 1       |           |
| *          |        | 19315-KFA5-E000   | 1   | COVER THERMOSTAT       | 恆溫器蓋          | 1       |           |
| *          |        | 19422-KFA5-9000   | 0   | JOINT WATER HOSE       | 冷卻水連接管        | 1       |           |
| *          |        | 19502-KFA5-9000   | 1   | HOSE WATER B           | 水管 B          | 1       |           |
| *          |        | 37750-PC1-0040    | 3   | THERMOSTAT UNIT ASSY   | 自動控溫器         | 1       |           |
| *          |        | 90423-KJ9-0010    | 0   | WASHER 7.2*13*1.2      | 華司 7.2*13*1.2 | 1       |           |
| *          |        | 90432-KFA5-9000   | 0   | WASHER LOCK            | 華司            | 1       |           |
| *          |        | 90701-679-0000    | 0   | PIN DOWEL SPL 8*10     | 插銷 8*10       | 2       |           |
| *          |        | 91001-KFA5-900    | 0   | BRG BALL RADIAL 609LLU | 軸承 609        | 1       |           |
| *          |        | 91002-KFA5-900    | 0   | BRG BALL RADIAL 699LLU | 軸承 699        | 1       |           |
| *          |        | 91320-KE1-0000    | 0   | PIN DOWEL SPC 8*7      | 定位銷           | 2       |           |
| *          |        | 93500-06016-0H    | 0   | SCREW PAN 6*16         | 螺絲 6*16       | 2       |           |

E 1

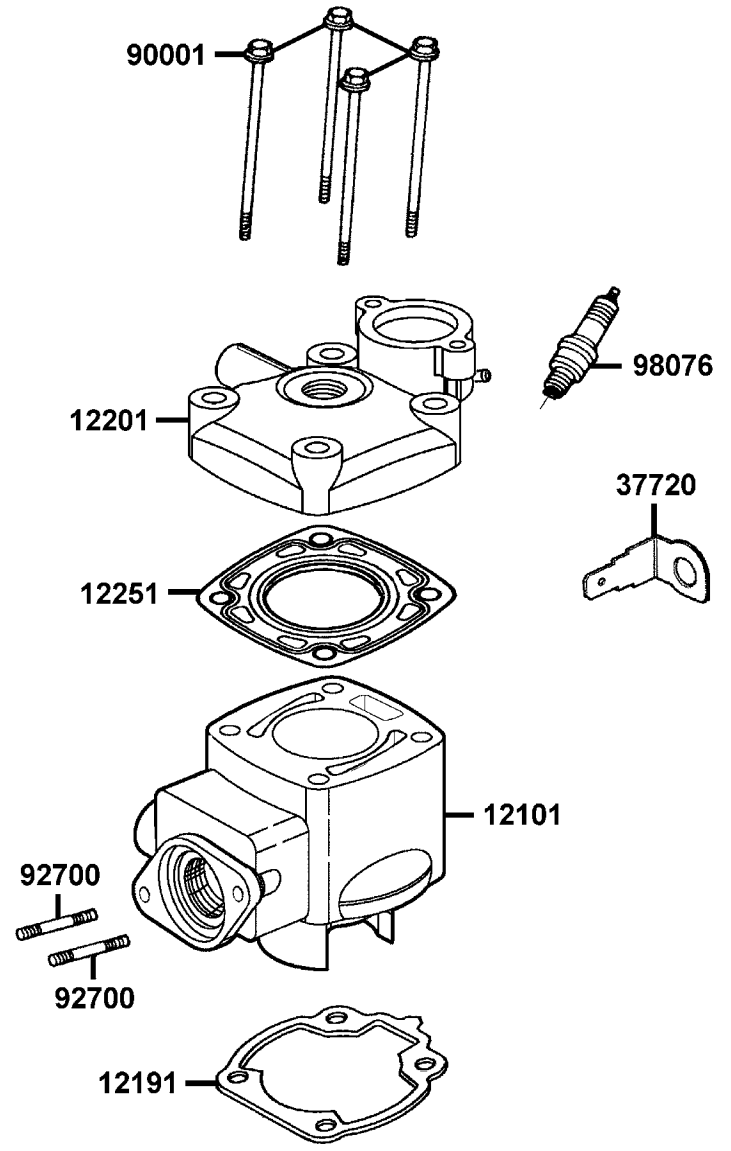
**E 1 Water Pump**



| 販賣記號       | 項目     | 零件號碼            | 版數  | 英文名稱                 | 中文名稱    | 需要用量    | 參考價       |
|------------|--------|-----------------|-----|----------------------|---------|---------|-----------|
| Sales mark | Ref no | Part no         | Ver | Description          | Chinese | Regd no | Ref Price |
| *          |        | 94050-KFA5-9000 | 2   | NUT WATER PUMP SHAFT | 螺帽      | 1       |           |
| *          |        | 94051-KFA5-9000 | 0   | DAMPER NUT           | 減震橡皮    | 1       |           |
| *          |        | 94591-KBF-9000  | 1   | CLIP 2*71            | 線夾 2*71 | 2       |           |
| *          |        | 95002-KN7-9100  | 1   | CLAMP A WATER HOSE   | 水管夾     | 4       |           |
| *          |        | 95701-06032-08  | 0   | BOLT FLANGE 6*25     | 螺絲 6*25 | 3       |           |
| *          |        | 96001-06025-08  | 0   | BOLT FLANGE 6*25     | 螺絲 6*25 | 2       |           |
| *          |        | 96001-06035-08  | 0   | BOLT FLANGE SH 6*35  | 螺絲 6*35 | 3       |           |

E 1

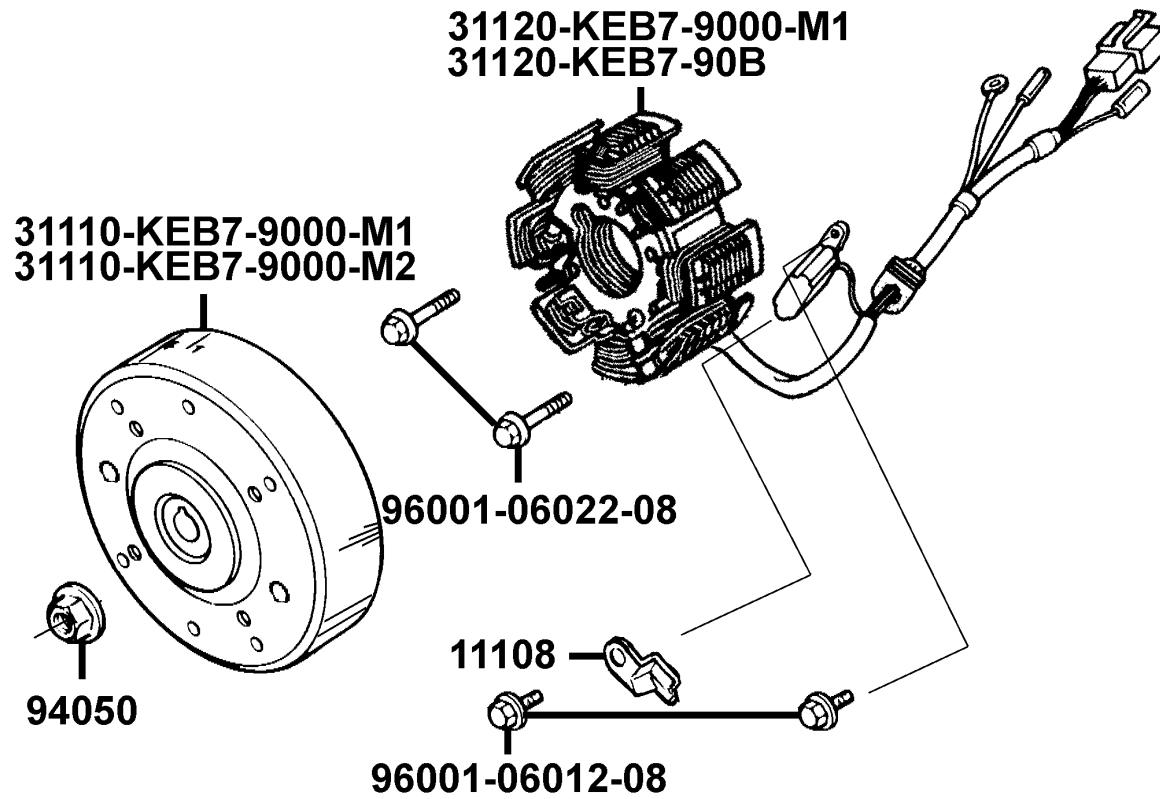
**E 2** Cylinder●Cylinder Head



| 販賣記號       | 項目     | 零件號碼            | 版數  | 英 文 名 稱               | 中 文 名 稱  | 需要用量    | 參考價       |
|------------|--------|-----------------|-----|-----------------------|----------|---------|-----------|
| Sales mark | Ref no | Part no         | Ver | Description           | Chinese  | Regd no | Ref Price |
| *          |        | 12101-KGB5-9000 | 1   | CYLINDER              | 汽缸       | 1       |           |
| *          |        | 12191-KEB7-9000 | 0   | GASKET CYLINDER       | 汽缸墊片     | 1       |           |
| *          |        | 12201-KGB5-E000 | 0   | HEAD CYLINDER         | 汽缸頭      | 1       |           |
| *          |        | 12251-KFA5-9000 | 1   | GASKET CYLINDER HEAD  | 汽缸頭墊片    | 1       |           |
| *          |        | 37720-KGB5-9000 | 0   | EARTH TERMINAL THERMO | 恆溫器座     | 1       |           |
| *          |        | 90001-GAK-9010  | 0   | BOLT FLANGE 7*100     | 螺絲       | 4       |           |
| *          |        | 92700-06028-1B  | 0   | BOLT STUD II 6*28     | 雙頭螺絲6*28 | 2       |           |
| *          |        | 98076-5871G-00  | 0   | SPARK PLUG (BR8HSA)   | 火星塞      | 1       |           |

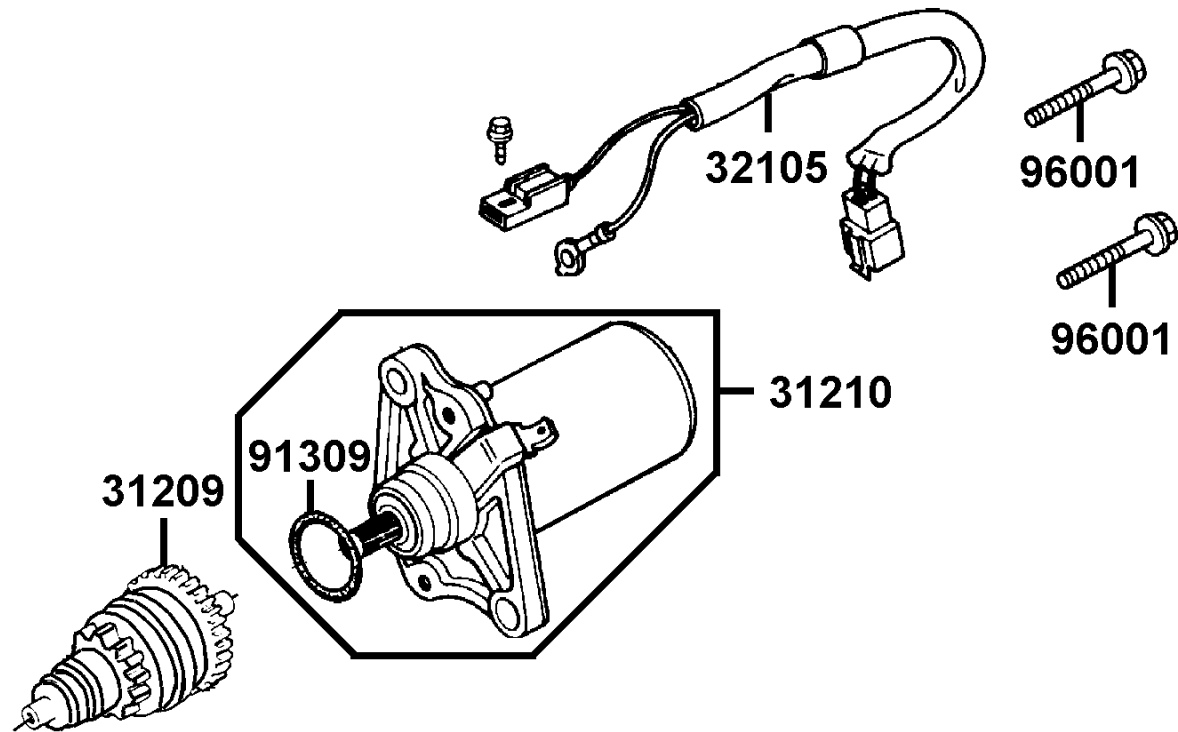


**E 3** Generator



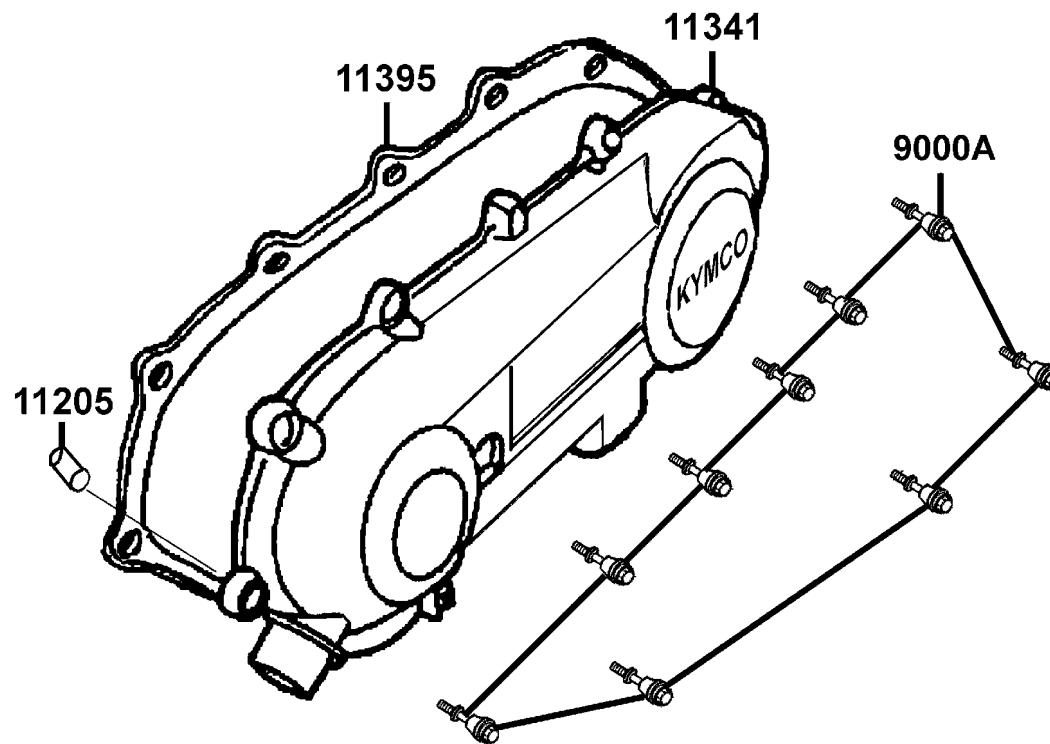
| 販賣記號<br>Sales mark | 項目<br>Ref no | 零件號碼<br>Part no    | 版數<br>Ver | 英 文 名 稱<br>Description | 中 文 名 稱<br>Chinese | 需要用量<br>Regd no | 參考價<br>Ref Price |
|--------------------|--------------|--------------------|-----------|------------------------|--------------------|-----------------|------------------|
| *                  |              | 11108-KEB7-9000    | 0         | HOLDER STATOR WIRE     | 起動馬達接地線支柱          | 1               |                  |
| *                  |              | 31110-KEB7-9000-M1 | 2         | FLYWHEEL COMP          | 飛輪                 | 1               |                  |
| *                  |              | 31110-KEB7-9000-M2 | 1         | FLYWHEEL COMP          | 飛輪                 | 1               |                  |
| *                  |              | 31120-KEB7-9000-M1 | 1         | STATOR COMP            | 轉子線圈               | 1               |                  |
| *                  |              | 31120-KEB7-90B     | 2         | STATOR COMP            | 轉子線圈               | 1               |                  |
| *                  |              | 94050-10080        | 0         | NUT FLANGE 10MM        | 螺帽                 | 1               |                  |
| *                  |              | 96001-06012-08     | 0         | BOLT FLANGE SH 6*12    | 螺絲                 | 2               |                  |
| *                  |              | 96001-06022-08     | 0         | BOLT FLANGE SH 6*22    | 螺絲                 | 2               |                  |

**E 4 Starting Motor**



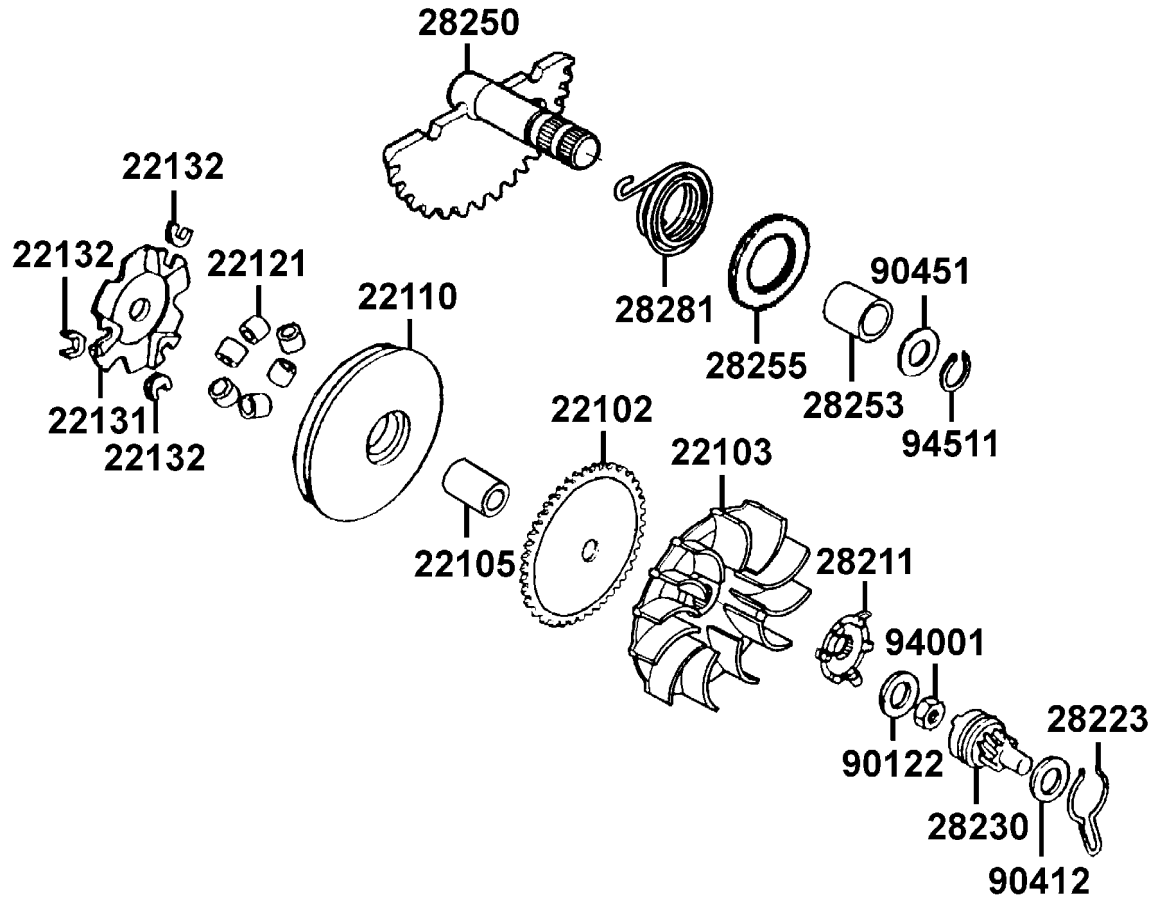
| 販賣記號       | 項目     | 零件號碼              | 版數  | 英文名稱                | 中文名稱    | 需要用量    | 參考價       |
|------------|--------|-------------------|-----|---------------------|---------|---------|-----------|
| Sales mark | Ref no | Part no           | Ver | Description         | Chinese | Regd no | Ref Price |
| *          |        | 31209-GAK-9010    | 3   | PINION ASSY STARTER | 起動齒輪組   | 1       |           |
| *          |        | 31210-GAK-9000-M3 | 1   | MOTOR UNIT START    | 起動馬達組   | 1       |           |
| *          |        | 32105-KEB7-9000   | 0   | SUB HARNESS         | 副配線     | 1       |           |
| *          |        | 91309-GAK-9010    | 0   | O RING              | O環      | 1       |           |
| *          |        | 96001-06025-08    | 0   | BOLT FLANGE SH 6*25 | 螺絲      | 2       |           |

**E 5** Left Crankcase Cover



| 販賣記號       | 項目     | 零件號碼              | 版數  | 英 文 名 稱                  | 中 文 名 稱     | 需要用量    | 參考價       |
|------------|--------|-------------------|-----|--------------------------|-------------|---------|-----------|
| Sales mark | Ref no | Part no           | Ver | Description              | Chinese     | Regd no | Ref Price |
| *          |        | 11205-GAH-0040-H1 | 0   | BUSH 8*12*8              | 襯套 8*12*8   | 1       |           |
| *          |        | 11341-KEB7-900    | 2   | COVER L SIDE             | 左曲軸箱蓋       | 1       |           |
| *          |        | 11395-KEB7-9000   | 0   | GASKET L COVER           | 左曲軸箱蓋墊片     | 1       |           |
| *          |        | 9000A-KDT-9000    | 0   | BOLT ASSY SPECIAL 6*29.5 | 特殊螺絲 6*29.5 | 9       |           |

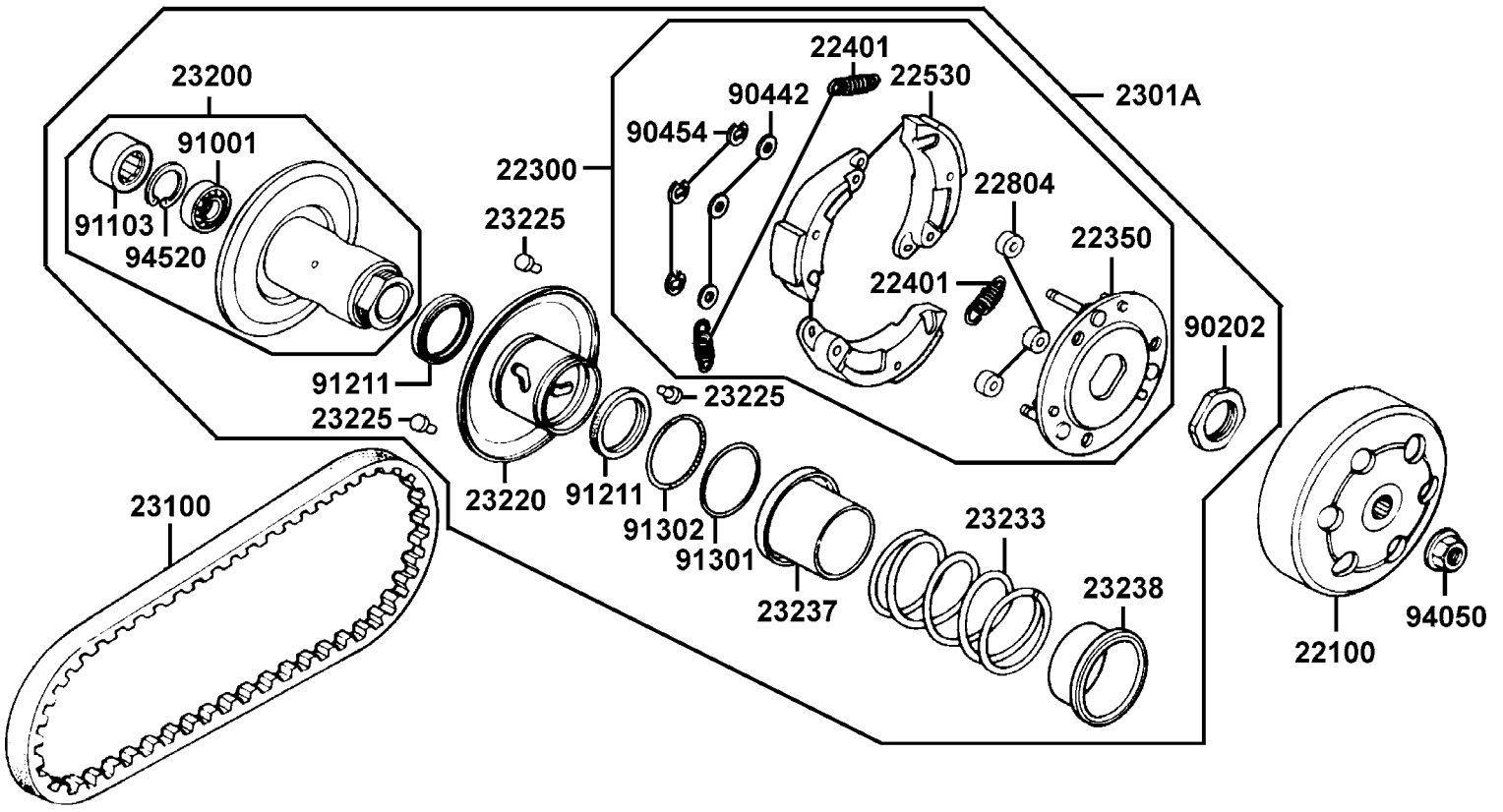
**E 6 Drive Pulley**



| 販賣記號       | 項目     | 零件號碼              | 版數  | 英文名稱                      | 中文名稱     | 需要用量    | 參考價       |
|------------|--------|-------------------|-----|---------------------------|----------|---------|-----------|
| Sales mark | Ref no | Part no           | Ver | Description               | Chinese  | Regd no | Ref Price |
| *          |        | 22102-KEB7-9000   | 0   | FACE DRIVE                | 驅動皮帶扇葉盤  | 1       |           |
| *          |        | 22103-KEB7-9000   | 0   | FAN CVT COOLING           | 冷卻風扇     | 1       |           |
| *          |        | 22105-KFA5-9000   | 0   | BOSS DRIVE FACE           | 滑動式驅動盤襯套 | 1       |           |
| *          |        | 22110-KFA1-2200   | 0   | FACE COMP MOVABLE DRIVE   | 滑動式驅動盤   | 1       |           |
| *          |        | 22121-GW0-9010    | 2   | ROLLER COMP WEIGHT 8.5 gr | 配重滾子     | 6       |           |
| *          |        | 22131-GAH-7810    | 0   | PLATE RAMP                | 斜坡板      | 1       |           |
| *          |        | 22132-GW0-0010    | 2   | PIECE SLIDE               | 斜板邊件     | 3       |           |
| *          |        | 28211-KEB7-9000   | 0   | RATCHET KICK STARTER      | 起動齒盤     | 1       |           |
| *          |        | 28223-KBN-9010    | 0   | SPG KICK DRIVEN GEAR      | 起動惰齒輪彈簧  | 1       |           |
| *          |        | 28230-GAK-9210    | 0   | GEAR COMP KICK DRIVEN     | 起動惰齒輪組   | 1       |           |
| *          |        | 28250-KBN-9010    | 0   | SPINDLE COMP KICK STARTER | 起動臂軸     | 1       |           |
| *          |        | 28253-GN2-6020-M1 | 0   | BUSH KICK SPINDLE         | 起動臂軸襯套   | 1       |           |
| *          |        | 28255-GS6-0010    | 0   | COLLAR KICK BOSS          | 套筒       | 1       |           |
| *          |        | 28281-GN2-6030-M1 | 1   | SPRING KICK RETURN        | 起動踏桿回位彈簧 | 1       |           |
| *          |        | 90122-GS3-0000    | 0   | WASHER SPECIAL 12MM       | 華司 12MM  | 1       |           |
| *          |        | 90412-329-0010    | 0   | WASHER THRUST 10M/M       | 華司       | 1       |           |
| *          |        | 90451-GN2-6010    | 0   | WASHER KICK SPINDLE       | 華司       | 1       |           |
| *          |        | 94001-12280-0S    | 0   | NUT HEX 12MM              | 螺帽       | 1       |           |
| *          |        | 94511-14000       | 0   | CIR CLIP EX 14MM          | 外環夾 14MM | 1       |           |

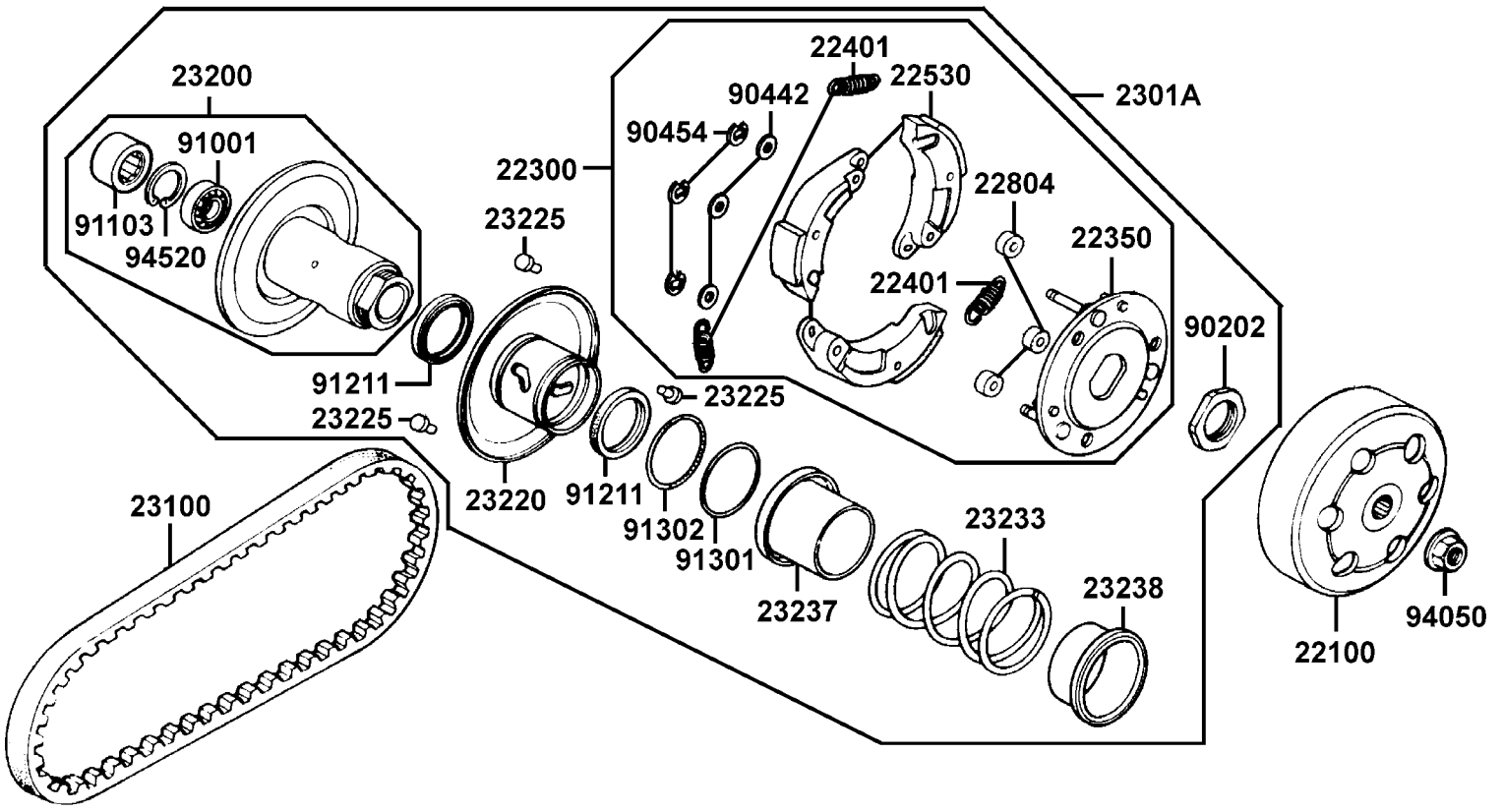


**E 7 Driven Pulley**



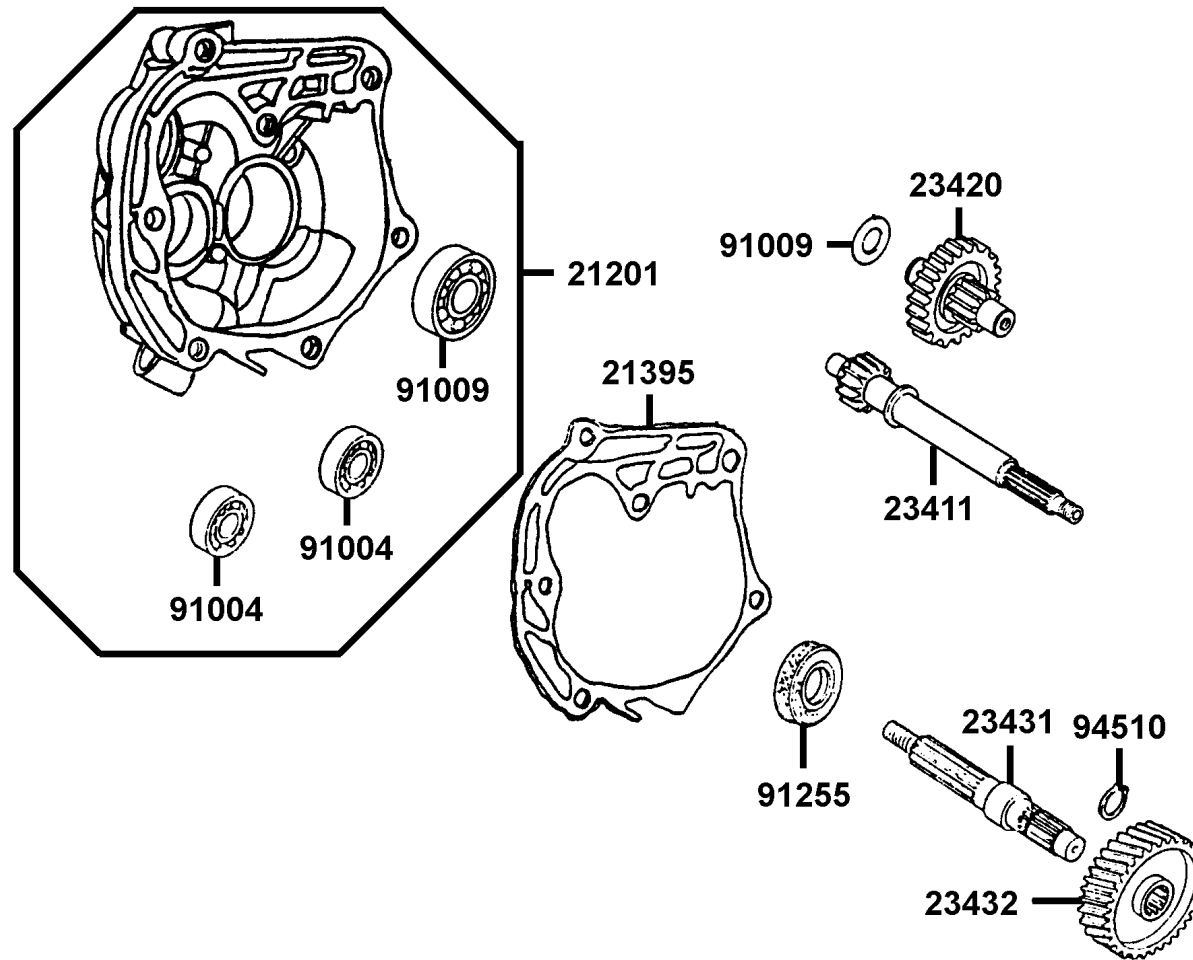
| 販賣記號<br>Sales mark | 項目<br>Ref no | 零件號碼<br>Part no | 版數<br>Ver | 英 文 名 稱<br>Description   | 中 文 名 稱<br>Chinese | 需要用量<br>Regd no | 參考價<br>Ref Price |
|--------------------|--------------|-----------------|-----------|--------------------------|--------------------|-----------------|------------------|
| *                  |              | 22100-GR1-7510  | 0         | CLUTCH OUTER             | 離合器外套              | 1               |                  |
| *                  |              | 22300-KCX-9000  | 0         | PLATE ASSY DRIVE         | 驅動板組               | 1               |                  |
| *                  |              | 22350-GAK-9300  | 1         | PLATE COMP DRIVE         | 驅動板                | 1               |                  |
| *                  |              | 22401-GG2-9000  | 0         | SPRING CLUTCH            | 離合器彈簧              | 3               |                  |
| *                  |              | 22530-GAK-9300  | 1         | WEIGHT CLUTCH            | 離合配重               | 3               |                  |
| *                  |              | 22804-148-0010  | 0         | RUBBER CLUTCH DUMPER     | 橡皮                 | 3               |                  |
| *                  |              | 2301A-KEB7-2200 | 0         | PULLEY SUB ASSY          | 從動皮帶輪組             | 1               |                  |
| *                  |              | 23100-KEB7-9000 | 0         | BELT DRIVE               | 驅動皮帶               | 1               |                  |
| *                  |              | 23200-GR1-2200  | 0         | FACE ASSY DRIVEN         | 從動皮帶盤組             | 1               |                  |
| *                  |              | 23220-GAK-2200  | 0         | FACE COMP MOVABLE DRIVEN | 滑動式從動皮帶盤           | 1               |                  |
| *                  |              | 23225-GR1-7510  | 0         | PIN GUIDE                | 導銷                 | 3               |                  |
| *                  |              | 23233-GE8-0010  | 2         | SPG DRIVEN FACE          | 驅動彈簧               | 1               |                  |
| *                  |              | 23237-GR1-2200  | 0         | COLLAR SEAL              | 套筒油封               | 1               |                  |
| *                  |              | 23238-GY6-9410  | 0         | COLLAR SPG               | 套筒                 | 1               |                  |
| *                  |              | 90202-187-0010  | 0         | NUT SPECIAL 28MM         | 螺帽                 | 1               |                  |
| *                  |              | 90442-044-0000  | 0         | 6M/M THRUST WASHER       | 華司                 | 3               |                  |
| *                  |              | 90454-GB2-0000  | 0         | CIRCLIP 6MM              | 環夾                 | 3               |                  |
| *                  |              | 91001-GA7-70A   | 0         | BRG RADIAL BALL 6901U    | 軸承                 | 1               |                  |
| *                  |              | 91103-GR1-0040  | 0         | BRG NEEDLE 17*25*18 WS   | 滾針軸承               | 1               |                  |
| *                  |              | 91211-GK8-0130  | 0         | OIL SEAL 34*39*3         | 驅動油封               | 2               |                  |

**E 7 Driven Pulley**



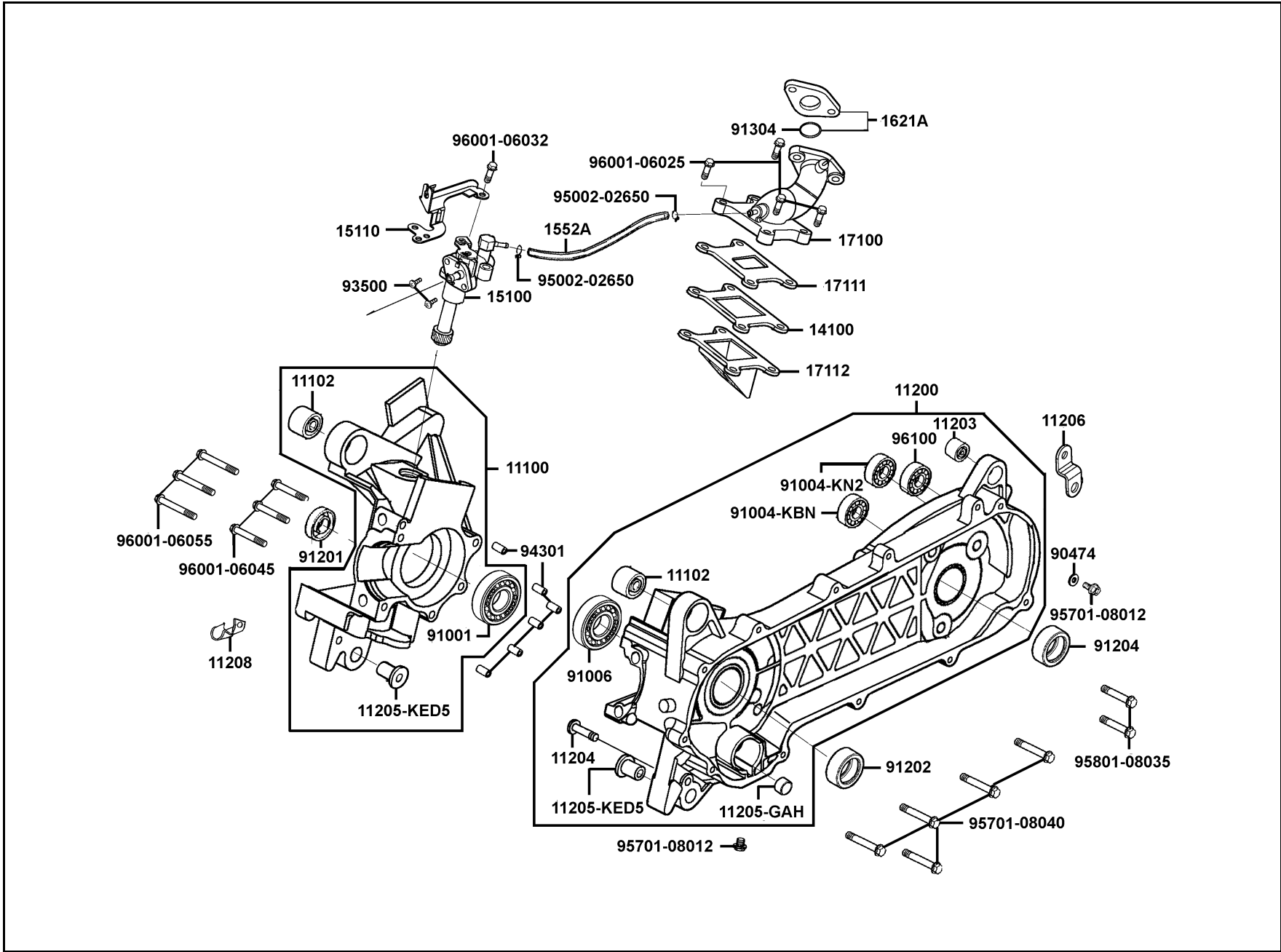
| 販賣記號       | 項目     | 零件號碼              | 版數  | 英 文 名 稱         | 中 文 名 稱  | 需要用量    | 參考價       |
|------------|--------|-------------------|-----|-----------------|----------|---------|-----------|
| Sales mark | Ref no | Part no           | Ver | Description     | Chinese  | Regd no | Ref Price |
| *          |        | 91301-KA5-7420-Y1 | 0   | O-RING 36*1.5   | O環       | 1       |           |
| *          |        | 91302-PA9-0040    | 0   | O-RING 39.8*2.2 | O環       | 1       |           |
| *          |        | 94050-10080       | 0   | NUT FLANGE 10MM | 螺帽       | 1       |           |
| *          |        | 94520-24000       | 0   | CIR CLIP IN 24  | 內環夾 24MM | 1       |           |

**E 8** Transmission



| 販賣記號       | 項目     | 零件號碼            | 版數  | 英 文 名 稱                 | 中 文 名 稱  | 需要用量    | 參考價       |
|------------|--------|-----------------|-----|-------------------------|----------|---------|-----------|
| Sales mark | Ref no | Part no         | Ver | Description             | Chinese  | Regd no | Ref Price |
| *          |        | 21201-KGB5-3050 | 0   | CASE SET MISSION        | 主軸蓋      | 1       |           |
| *          |        | 21395-KBN-9010  | 1   | GASKET MISSION CASE A   | 主軸蓋墊片    | 1       |           |
| *          |        | 23411-KGB5-9000 | 0   | SHAFT DRIVE             | 驅動軸      | 1       |           |
| *          |        | 23420-KGB5-9000 | 0   | SHAFT COMP COUNTER      | 副軸組      | 1       |           |
| *          |        | 23431-KGB5-9000 | 0   | SHAFT FINAL             | 最終軸      | 1       |           |
| *          |        | 23432-KGB5-9000 | 0   | GEAR FINAL              | 最終齒輪     | 1       |           |
| *          |        | 91004-KN2-90A   | 0   | BRG BALL RADIAL 6201    | 軸承 /6201 | 2       |           |
| *          |        | 91009-GE0-0040  | 0   | BRG BALL RADIAL 6004 UU | 軸承 /6004 | 1       |           |
| *          |        | 91255-GE0-0060  | 0   | OIL SEAL 27*42*7        | 油封       | 1       |           |
| *          |        | 94510-20000     | 0   | CIR CLIP EX 20          | 外環夾 20MM | 1       |           |

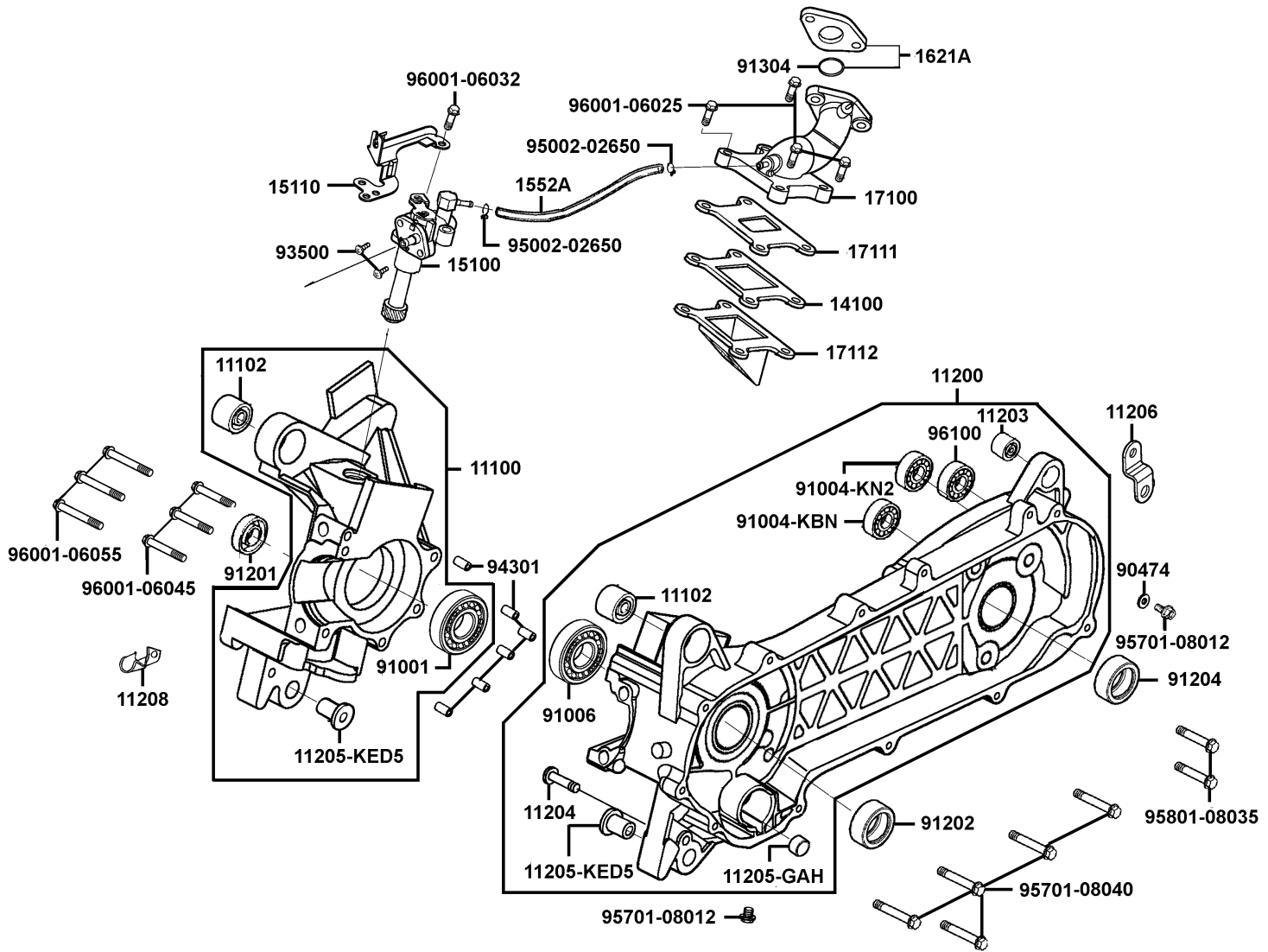
# E 9 Crankcase Oil Pump



| 販賣記號       | 項目     | 零件號碼               | 版數  | 英 文 名 稱                      | 中 文 名 稱  | 需要用量    | 參考價       |
|------------|--------|--------------------|-----|------------------------------|----------|---------|-----------|
| Sales mark | Ref no | Part no            | Ver | Description                  | Chinese  | Regd no | Ref Price |
| *          |        | 11100-KGB5-3050    | 0   | CRANK CASE SET RIGHT         | 右曲軸箱組    | 1       |           |
| *          |        | 11102-187-0030     | 3   | RUB BUSH ENG HANGER          | 引擎吊架襯套   | 2       |           |
| *          |        | 11200-KEB7-3250    | 2   | CRANK CASE SET LEFT          | 左曲軸箱組    | 1       |           |
| *          |        | 11203-GC7-3010     | 2   | UNDER RUBBER BUSH RR CUSHION | 後緩衝下襯套   | 1       |           |
| *          |        | 11204-KEB7-9000-H1 | 0   | PIN SPG HOOK                 | 固定銷      | 1       |           |
| *          |        | 11205-GAH-0040-H1  | 0   | BUSH 8*12*8                  | 襯套8*12*8 | 1       |           |
| *          |        | 11205-KED5-9000-H1 | 0   | BUSH M STAND                 | 襯套       | 2       |           |
| *          |        | 11206-KEB7-9000    | 0   | Stay rr fender               | 後土除支架    | 1       |           |
| *          |        | 11208-GAK-9010     | 0   | CLAMPER CARB DRAIN           | 管夾       | 1       |           |
| *          |        | 14100-KEB7-9000    | 0   | VALVE COMP REED              | 簧片閥門     | 1       |           |
| *          |        | 15100-KEB7-E000    | 0   | PUMP ASSY OIL                | 機油泵浦組    | 1       |           |
| *          |        | 15110-KEB7-9000    | 0   | PLATE OIL PUMP SET           | 機油泵支架    | 1       |           |
| *          |        | 1552A-KEB8-9000    | 0   | TUBE ASSY OIL PASS           | 噴合油管組    | 1       |           |
| *          |        | 1621A-GAK-9010     | 0   | INSULATOR CARB ASSY          | 絕緣器      | 1       |           |
| *          |        | 17100-KEB7-9010    | 0   | PIPE COMP INLET              | 進氣管      | 1       |           |
| *          |        | 17111-KEB7-9000    | 0   | GASKET INLET PIPE A          | 進氣管墊片A   | 1       |           |
| *          |        | 17112-KEB7-9000    | 0   | GASKET INLET PIPE B          | 進氣管墊片B   | 1       |           |
| *          |        | 90474-333-0010     | 0   | WASHER 8MM                   | 華司8MM    | 1       |           |
| *          |        | 91001-GW0-90A      | 1   | BRG BALL RADIAL 6204 SPECIAL | 軸承 6204  | 1       |           |
| *          |        | 91004-KBN-92A      | 0   | BRG BALL RADIAL 6203 SPC     | 軸承 6203  | 1       |           |

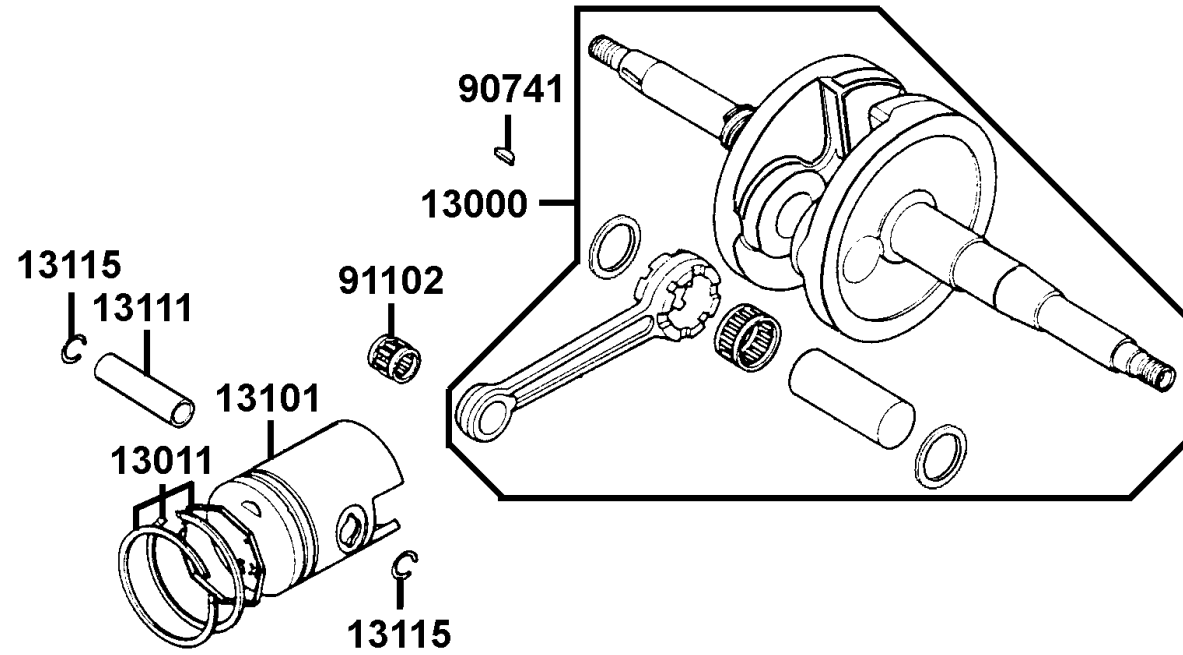


**E 9 Crankcase Oil Pump**



| 販賣記號<br>Sales mark | 項目<br>Ref no | 零件號碼<br>Part no   | 版數<br>Ver | 英 文 名 稱<br>Description   | 中 文 名 稱<br>Chinese | 需要用量<br>Regd no | 參考價<br>Ref Price |
|--------------------|--------------|-------------------|-----------|--------------------------|--------------------|-----------------|------------------|
| *                  |              | 91004-KN2-90A     | 0         | BRG BALL RADIAL 6201     | 軸承 6201            | 1               |                  |
| *                  |              | 91006-KBN-901     | 4         | BRG BALL RADIAL 25*56*12 | 軸承25*56*12         | 1               |                  |
| *                  |              | 91201-KBN-9220-M1 | 0         | OIL SEAL 15.6*25.5*7     | 15.6*25.5*7        | 1               |                  |
| *                  |              | 91202-KBN-9220-M1 | 0         | OIL SEAL 20*31*7         | 油封20*31*7          | 1               |                  |
| *                  |              | 91204-KBN-9020-M1 | 1         | OIL SEAL 17*30*6         | 油封17*30*6          | 1               |                  |
| *                  |              | 91304-GB0-9110    | 1         | O-RING 20.6*1.9          | O環20.6*1.9         | 1               |                  |
| *                  |              | 93500-05012-0H    | 0         | SCREW PAN 5*12           | 螺絲 5*12            | 2               |                  |
| *                  |              | 94301-10200       | 0         | DOWEL PIN 10*20          | 定位銷10*20           | 6               |                  |
| *                  |              | 95002-02650       | 0         | CLIP B 6.5 TUBE          | 管夾 B 6.5           | 2               |                  |
| *                  |              | 95701-08012-08    | 0         | BOLT FLANGE 8*12         | 螺絲 8*12            | 2               |                  |
| *                  |              | 95701-08040-08    | 0         | BOLT FLANGE 8*40         | 螺絲 8*40            | 5               |                  |
| *                  |              | 95801-08035-08    | 0         | BOLT FLANGE 8*35         | 螺絲 8*35            | 2               |                  |
| *                  |              | 96001-06025-08    | 0         | BOLT FLANGE SH 6*25      | 螺絲                 | 4               |                  |
| *                  |              | 96001-06032-08    | 0         | BOLT FLANGE SH 6*32      | 螺絲 6*32            | 1               |                  |
| *                  |              | 96001-06045-08    | 0         | BOLT FLANGE SH 6*45      | 螺絲6*45             | 3               |                  |
| *                  |              | 96001-06055-08    | 0         | BOLT FLANGE SH 6*55      | 螺絲6*55             | 3               |                  |
| *                  |              | 96100-62033-00    | 0         | BEARING BALL RADIAL 6203 | 徑向滾珠軸承             | 1               |                  |

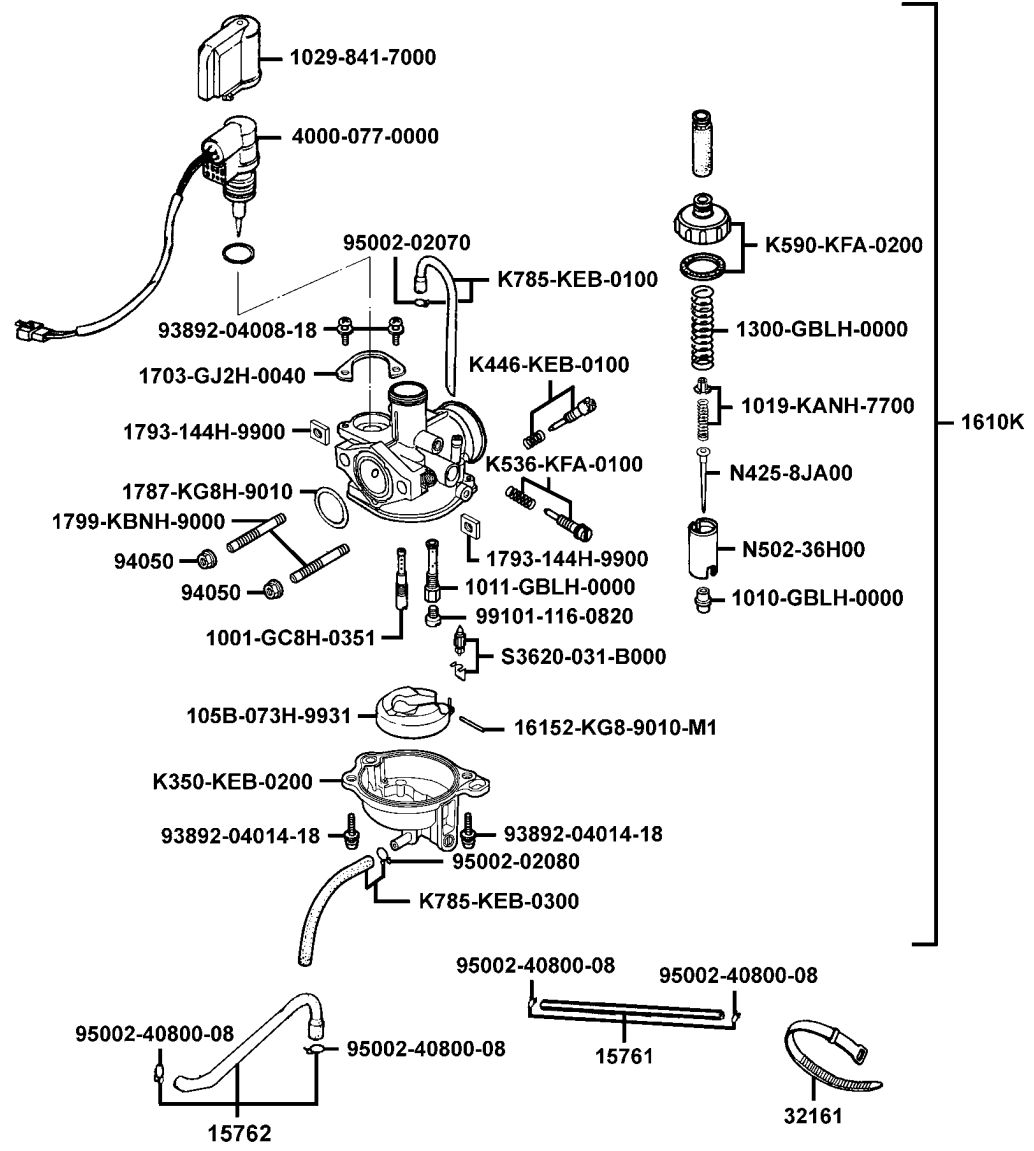
**E 10** Crankshaft●Piston



| 販賣記號       | 項目     | 零件號碼            | 版數  | 英文名稱                 | 中文名稱    | 需要用量    | 參考價       |
|------------|--------|-----------------|-----|----------------------|---------|---------|-----------|
| Sales mark | Ref no | Part no         | Ver | Description          | Chinese | Regd no | Ref Price |
| *          |        | 13000-GAK-9210  | 5   | CRANK SHAFT COMP     | 曲軸      | 1       |           |
| *          |        | 13011-GW0-9020  | 0   | RING SET PISTON      | 活塞環組    | 1       |           |
| *          |        | 13101-KFA5-9000 | 0   | PISTON               | 活塞      | 1       |           |
| *          |        | 13111-166-0010  | 1   | PIN PISTON           | 活塞銷     | 1       |           |
| *          |        | 13115-156-0010  | 0   | CLIP PISTON PIN 12MM | 活塞銷夾    | 2       |           |
| *          |        | 90741-035-0010  | 0   | KEY WOODRUFF         | 固定鍵     | 1       |           |
| *          |        | 91102-GW0-0090  | 0   | BRG CON-ROD S. E.    | 連桿小端軸承  | 1       |           |

E 10

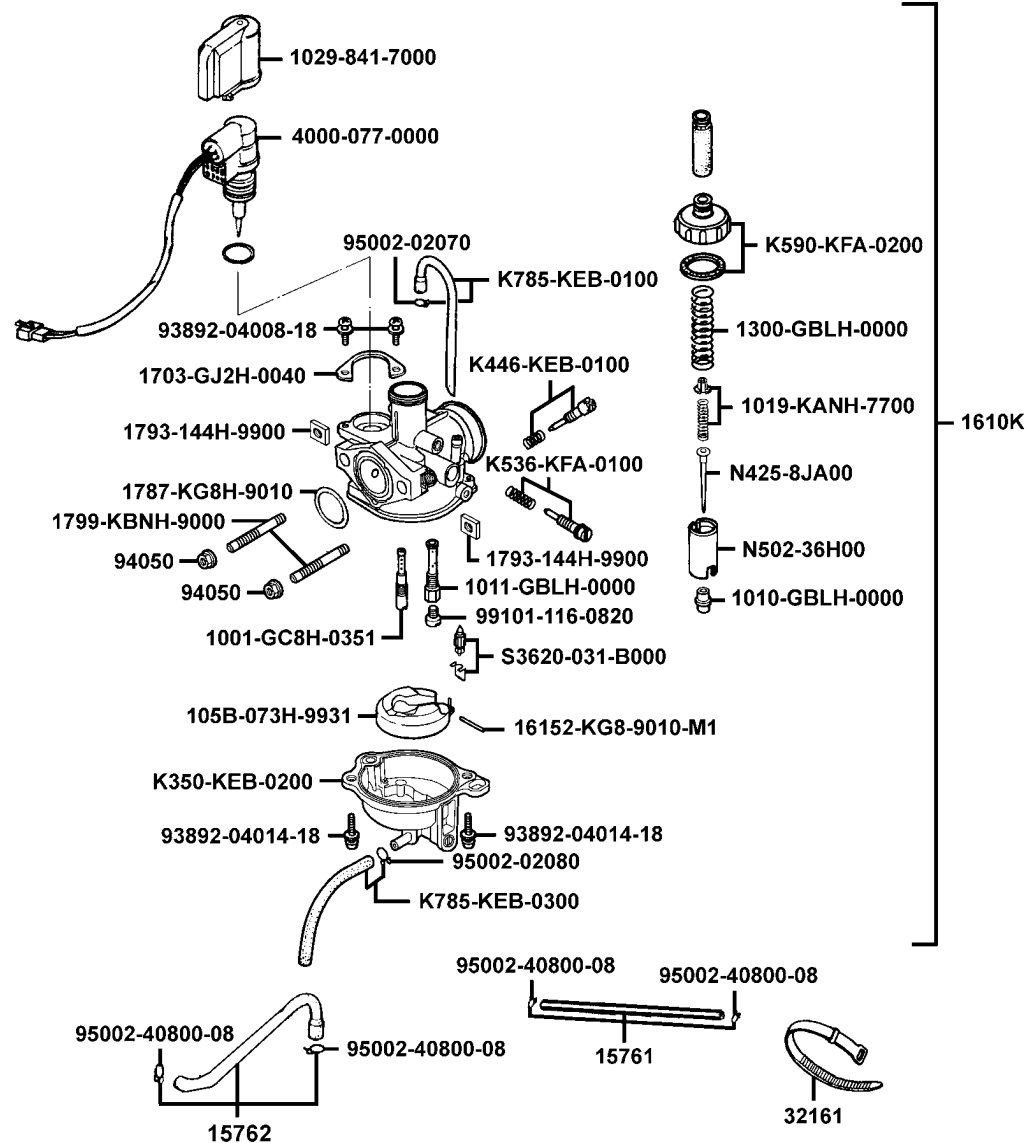
**E 11 Carburetor**



| 販賣記號       | 項目     | 零件號碼              | 版數  | 英文名稱                | 中文名稱    | 需要用量    | 參考價       |
|------------|--------|-------------------|-----|---------------------|---------|---------|-----------|
| Sales mark | Ref no | Part no           | Ver | Description         | Chinese | Regd no | Ref Price |
| *          |        | 1001-GC8H-0351    | 0   | SLOW JET            | 慢速噴油嘴   | 1       |           |
| *          |        | 1010-GBLH-0000    | 0   | NEEDLE JET          | 油針座     | 1       |           |
| *          |        | 1011-GBLH-0000    | 0   | NEEDLE JET HOLDER   | 噴針座     | 1       |           |
| *          |        | 1019-KANH-7700    | 0   | VALVE PLATE SET     | 阻板      | 1       |           |
| *          |        | 1029-841-7000     | 0   | HOLDER CAP          | 自動起動閥蓋  | 1       |           |
| *          |        | 105B-073H-9931    | 0   | FLOAT COMP          | 浮筒組     | 1       |           |
| *          |        | 1300-GBLH-0000    | 0   | SPG COMPR           | 彈簧      | 1       |           |
| *          |        | 15761-KFA5-E000   | 0   | TUBE WATER IN CARB  | 通氣管     | 1       |           |
| *          |        | 15762-KFA5-E000   | 0   | TUBE WATER OUT CARB | 通氣管     | 1       |           |
| *          |        | 1610K-KGB5-M30    | 0   | CARBURETOR ASSY     | 化油器     | 1       |           |
| *          |        | 16152-KG8-9010-M1 | 0   | ARM PIN             | 浮筒閥臂銷   | 1       |           |
| *          |        | 1703-GJ2H-0040    | 0   | SET PLATE           | 固定板     | 1       |           |
| *          |        | 1787-KG8H-9010    | 0   | O-RING              | O環      | 1       |           |
| *          |        | 1793-144H-9900    | 0   | HEX NUT             | 螺帽      | 2       |           |
| *          |        | 1799-KBNH-9000    | 0   | STUD BOLT           | 雙頭螺絲    | 2       |           |
| *          |        | 32161-404-0000    | 2   | BAND B1 WIRE        | 束帶      | 1       |           |
| *          |        | 4000-077-0000     | 0   | AUTO BYSTARTER SET  | 自動旁通器組  | 1       |           |
| *          |        | 93892-04008-18    | 0   | SCREW WASHER        | 螺絲      | 2       |           |
| *          |        | 93892-04014-18    | 0   | SCREW WASHER        | 螺絲      | 2       |           |
| *          |        | 94050-06080       | 0   | NUT FLANGE 6MM      | 螺帽      | 2       |           |

E 11

**E 11 Carburetor**

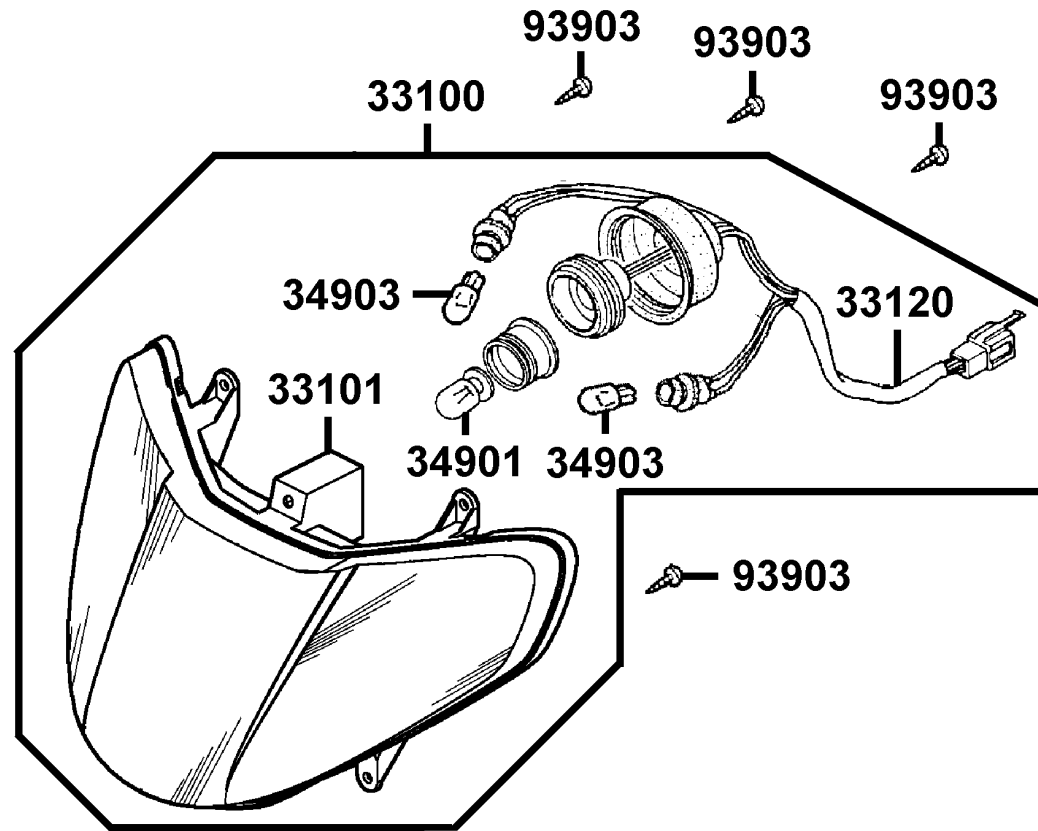


| 販賣記號<br>Sales mark | 項目<br>Ref no | 零件號碼<br>Part no | 版數<br>Ver | 英 文 名 稱<br>Description | 中 文 名 稱<br>Chinese | 需要用量<br>Regd no | 參考價<br>Ref Price |
|--------------------|--------------|-----------------|-----------|------------------------|--------------------|-----------------|------------------|
| *                  |              | 95002-02070     | 0         | CLIP B7 TUBE           | 管夾                 | 1               |                  |
| *                  |              | 95002-02080     | 0         | CLIP B8 TUBE           | 管夾                 | 1               |                  |
| *                  |              | 95002-40800-08  | 0         | CLAMP D8 TUBE          | 管夾                 | 4               |                  |
| *                  |              | 99101-116-0820  | 0         | MAIN JET               | 主噴油針               | 1               |                  |
| *                  |              | K350-KEB-0200   | 0         | FLOAT CHAMBER SET      | 浮筒室組               | 1               |                  |
| *                  |              | K446-KEB-0100   | 0         | SCREW SET              | 螺絲組                | 1               |                  |
| *                  |              | K536-KFA-0100   | 0         | SCREW SET ( S.S )      | 螺絲組                | 1               |                  |
| *                  |              | K590-KFA-0200   | 0         | TOP SET                | 節流活塞閥蓋             | 1               |                  |
| *                  |              | K785-KEB-0100   | 0         | TUBE SET               | 空氣管                | 1               |                  |
| *                  |              | K785-KEB-0300   | 0         | TUBE SET               | 溢流管                | 1               |                  |
| *                  |              | N425-8JA00      | 0         | JET NEEDLE COMP        | 油針                 | 1               |                  |
| *                  |              | N502-36H00      | 0         | THROTTLE VALVE         | 節流活塞閥              | 1               |                  |
| *                  |              | S3620-031-B000  | 0         | FLOAT VALVE SET        | 浮筒閥                | 1               |                  |

E 11



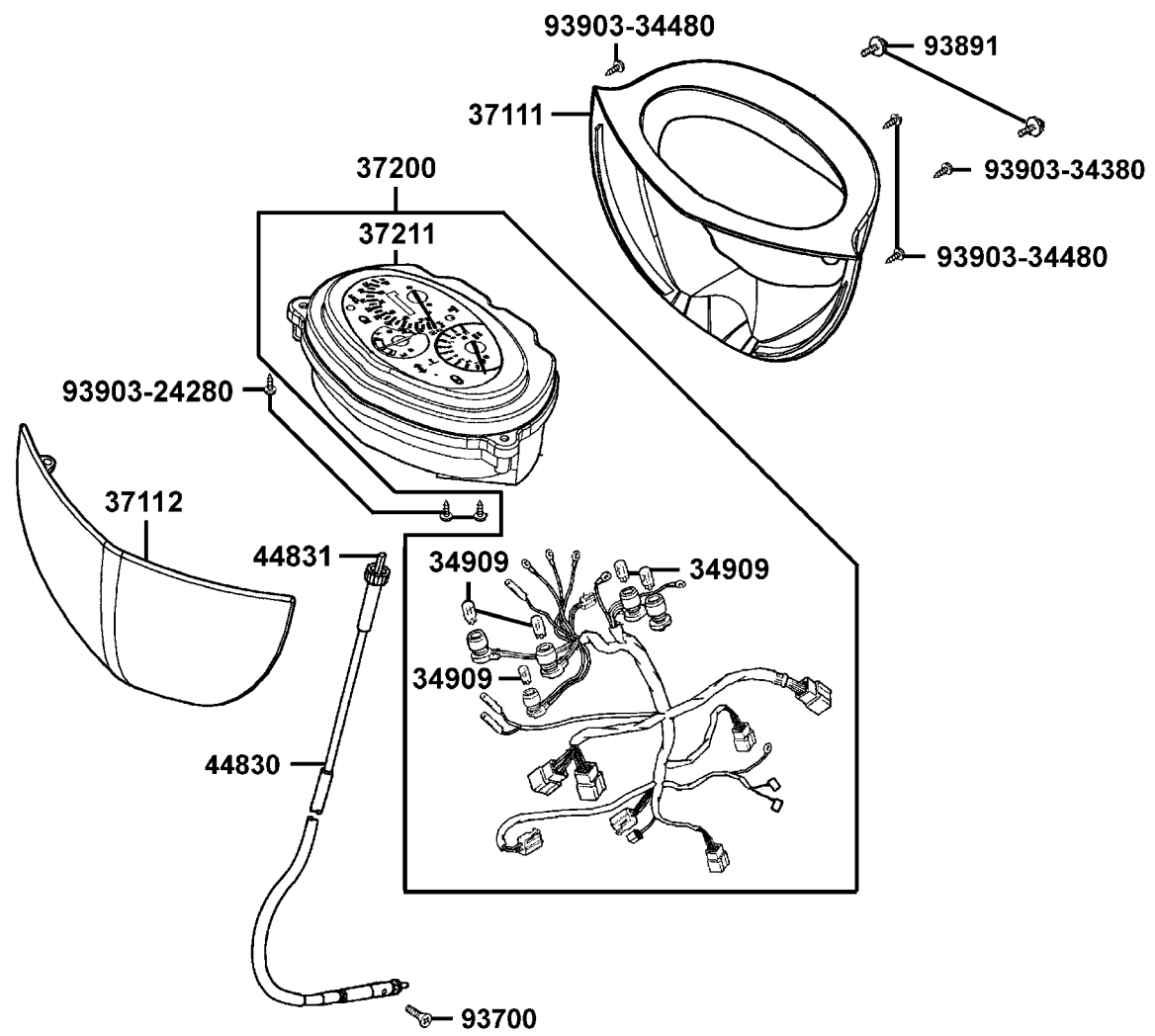
**F 1** Head Light



F 1

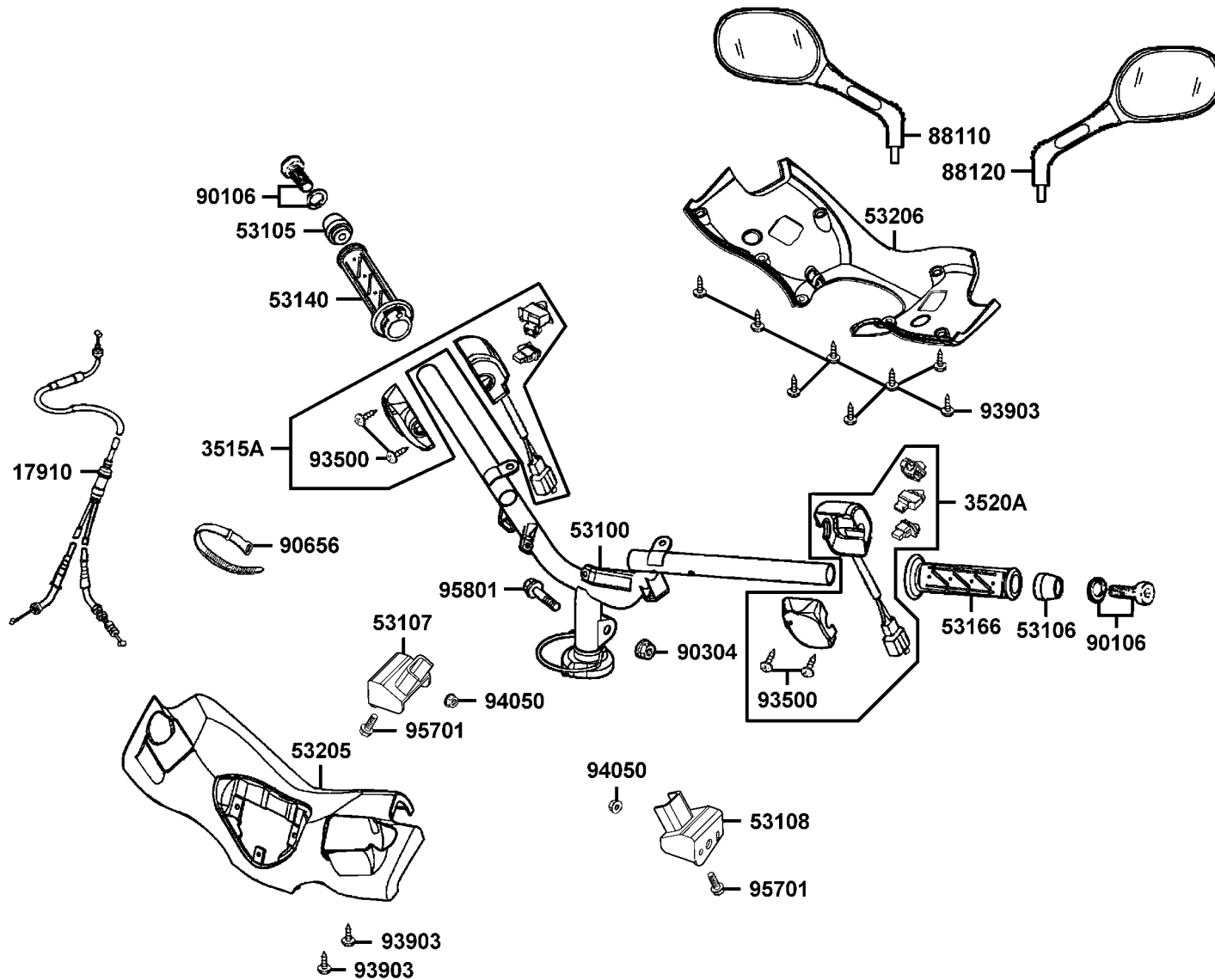
| 販賣記號<br>Sales mark | 項目<br>Ref no | 零件號碼<br>Part no | 版數<br>Ver | 英 文 名 稱<br>Description | 中 文 名 稱<br>Chinese | 需要用量<br>Regd no | 參考價<br>Ref Price |
|--------------------|--------------|-----------------|-----------|------------------------|--------------------|-----------------|------------------|
| *                  |              | 33100-KGB5-E000 | 0         | LIGHT ASSY FR COMB     | 前燈總成               | 1               |                  |
| *                  |              | 33101-KGB5-E000 | 0         | LIGHT COMP FR COMB     | 前燈殼                | 1               |                  |
| *                  |              | 33120-KGB5-E000 | 0         | SOCKET COMP FR COMB    | 前燈配線               | 1               |                  |
| *                  |              | 34901-KFA6-9000 | 0         | BULB HEAD LIGHT        | 前燈泡                | 1               |                  |
| *                  |              | 34903-KCP-9000  | 0         | BULB POSITION LIGHT    | 燈泡                 | 2               |                  |
| *                  |              | 93903-35380     | 0         | SCREW TAPPING 5*16     | 螺釘 5X16            | 4               |                  |

**F 2** Speedometer



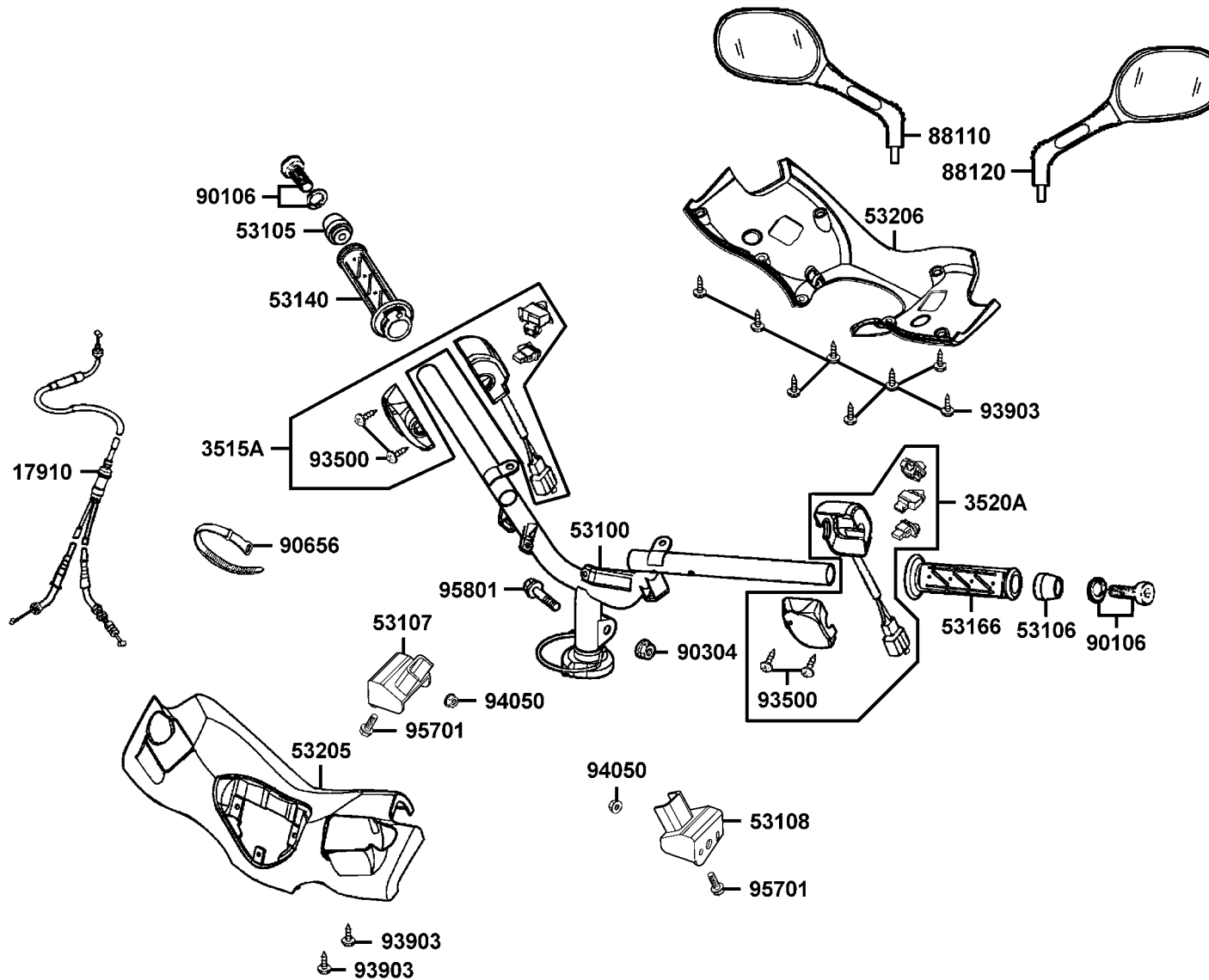
| 販賣記號<br>Sales mark | 項目<br>Ref no | 零件號碼<br>Part no | 版數<br>Ver | 英 文 名 稱<br>Description | 中 文 名 稱<br>Chinese | 需要用量<br>Regd no | 參考價<br>Ref Price |
|--------------------|--------------|-----------------|-----------|------------------------|--------------------|-----------------|------------------|
| *                  |              | 34909-KBE-9000  | 0         | BULB WEDGE BASE T6.5   | 儀錶內指示燈泡            | 5               |                  |
| *                  |              | 37111-KGB5-900  | 0         | METER COVER FR         | 前碼錶蓋               | 1               |                  |
| *                  |              | 37112-KGB5-900  | 0         | METER COVER RR         | 後碼錶蓋               | 1               |                  |
| *                  |              | 37200-KGB5-M30  | 0         | SPEED METER ASSY       | 儀錶組                | 1               |                  |
| *                  |              | 37211-KGB5-9000 | 0         | LENS                   | 儀錶蓋                | 1               |                  |
| *                  |              | 44830-GC8-0000  | 1         | CABLE COMP SPDMT       | 速度錶導線              | 1               |                  |
| *                  |              | 44831-GC8-0000  | 0         | CABLE INNER            | 速度錶內導線             | 1               |                  |
| *                  |              | 93700-05018-0H  | 0         | SCREW OVAL 5*18        | 螺絲 5X18            | 1               |                  |
| *                  |              | 93891-05016-07  | 0         | SCREW WASHER 5* 16     | 螺絲 5X16            | 2               |                  |
| *                  |              | 93903-24280-02  | 0         | SCREW TAPPING 4*10     | 螺釘 4X10            | 3               |                  |
| *                  |              | 93903-34380     | 0         | SCREW TAPPING 4*12     | 螺釘 4X12            | 1               |                  |
| *                  |              | 93903-34480     | 0         | SCREW TAPPING 4*16     | 螺釘 4X16            | 3               |                  |

**F 3** Handle Steering ● Handle Cover



| 販賣記號       | 項目     | 零件號碼            | 版數  | 英文名稱                 | 中文名稱    | 需要用量    | 參考價       |
|------------|--------|-----------------|-----|----------------------|---------|---------|-----------|
| Sales mark | Ref no | Part no         | Ver | Description          | Chinese | Regd no | Ref Price |
| *          |        | 17910-KGB5-M00  | 2   | CABLE COMP THROT     | 節流導線    | 1       |           |
| *          |        | 3515A-KHB5-M30  | 0   | SW ASSY RH HNDL COMP | 右邊開關組   | 1       |           |
| *          |        | 3520A-KGBG-E00  | 3   | SW ASSY LH HNDL COMP | 左邊開關組   | 1       |           |
| *          |        | 53100-KGB5-9000 | 0   | HANDLE COMP STRG     | 轉向手柄    | 1       |           |
| *          |        | 53105-KFC8-9000 | 2   | END R STRG HANDLE    | 右平衡端子   | 1       |           |
| *          |        | 53106-KFC8-9000 | 0   | END L STRG HANDLE    | 左平衡端子   | 1       |           |
| *          |        | 53107-KGB5-M00  | 0   | STAY R FR WINKER     | 右前方向燈支架 | 1       |           |
| *          |        | 53108-KGB5-M00  | 0   | STAY L FR WINKER     | 左前方向燈支架 | 1       |           |
| **         |        | 53140-KGB5-900  | 0   | GRIP COMP THROT      | 節流管套組   | 1       |           |
| **         |        | 53166-KGB5-900  | 0   | GRIP L HANDLE        | 手柄左橡皮套  | 1       |           |
| **         |        | 53205-KGB5-900  | 0   | COVER UPPER HANDLE   | 手柄上蓋    | 1       |           |
| **         |        | 53206-KGB5-M00  | 0   | COVER LOWER HANDLE   | 手柄下蓋    | 1       |           |
| **         |        | 88110-KEB7-E00  | 0   | MIRROR ASSY R BACK   | 右後視鏡    | 1       |           |
| **         |        | 88120-KEB7-E00  | 0   | MIRROR ASSY L BACK   | 左後視鏡    | 1       |           |
| *          |        | 90106-KFC2-9000 | 0   | BOLT WASH 8MM        | 螺絲 8MM  | 2       |           |
| *          |        | 90304-GE8-0040  | 0   | NUT U 10MM           | 螺帽 10MM | 1       |           |
| *          |        | 90656-KCBC-9000 | 0   | BAND OIL HOSE        | 油管束帶    | 1       |           |
| *          |        | 93500-KBGB-9000 | 0   | SCREW TAPPING M5*25L | 螺釘 5MM  | 4       |           |
| *          |        | 93903-34380     | 0   | SCREW TAPPING 4*12   | 螺釘 4X12 | 10      |           |
| *          |        | 94050-05080     | 0   | NUT FLANGE 5MM       | 螺帽 5MM  | 2       |           |

**F 3** Handle Steering●Handle Cover

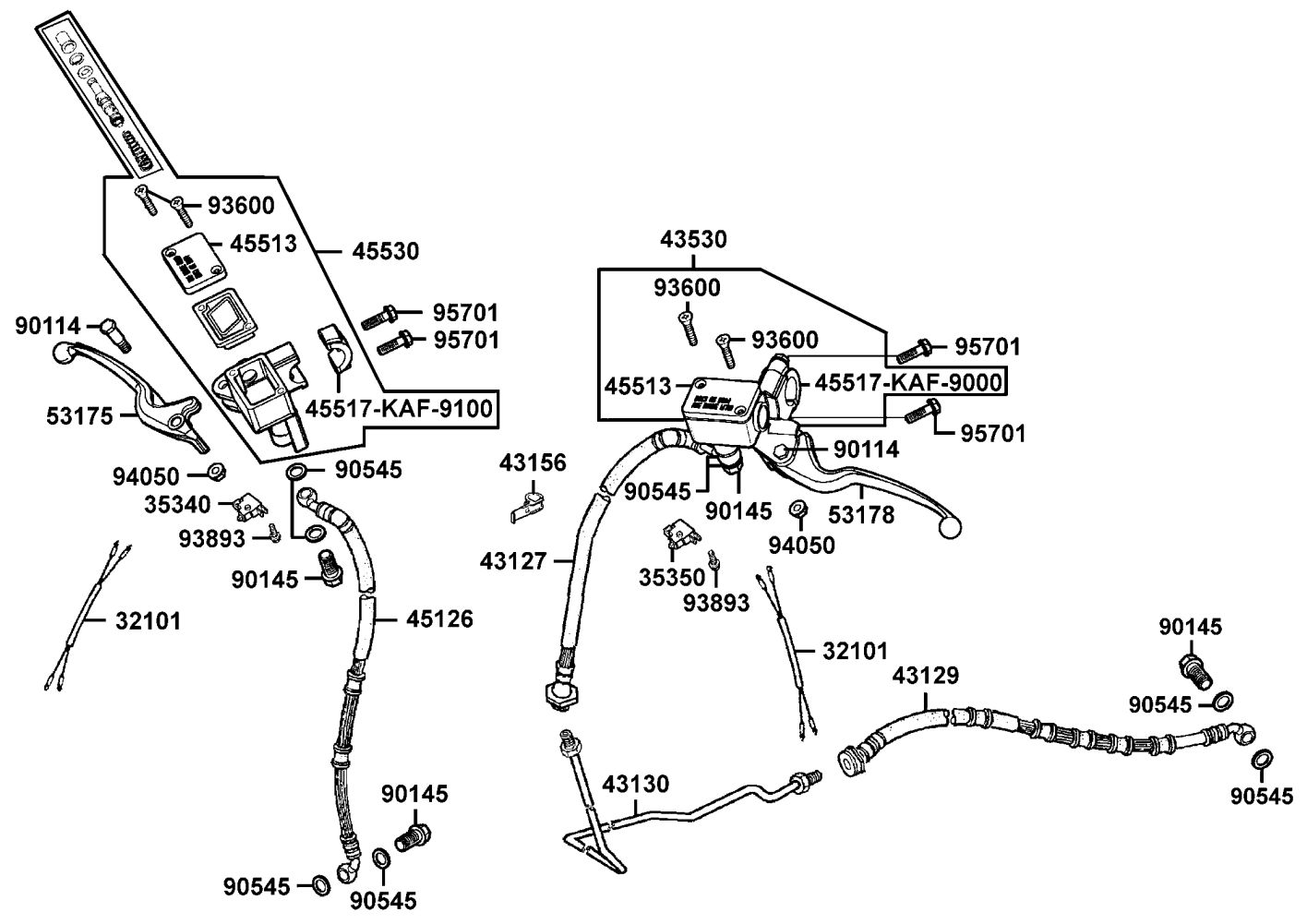


F 3

| 販賣記號       | 項目     | 零件號碼           | 版數  | 英文名稱              | 中文名稱       | 需要用量    | 參考價       |
|------------|--------|----------------|-----|-------------------|------------|---------|-----------|
| Sales mark | Ref no | Part no        | Ver | Description       | Chinese    | Regd no | Ref Price |
| *          |        | 95701-06035-07 | 0   | BOLT FLANGE 6*35  | 螺絲 6*35    | 2       |           |
| *          |        | 95801-10040-08 | 0   | BOLT FLANGE 10*40 | 特殊螺絲 10X40 | 1       |           |

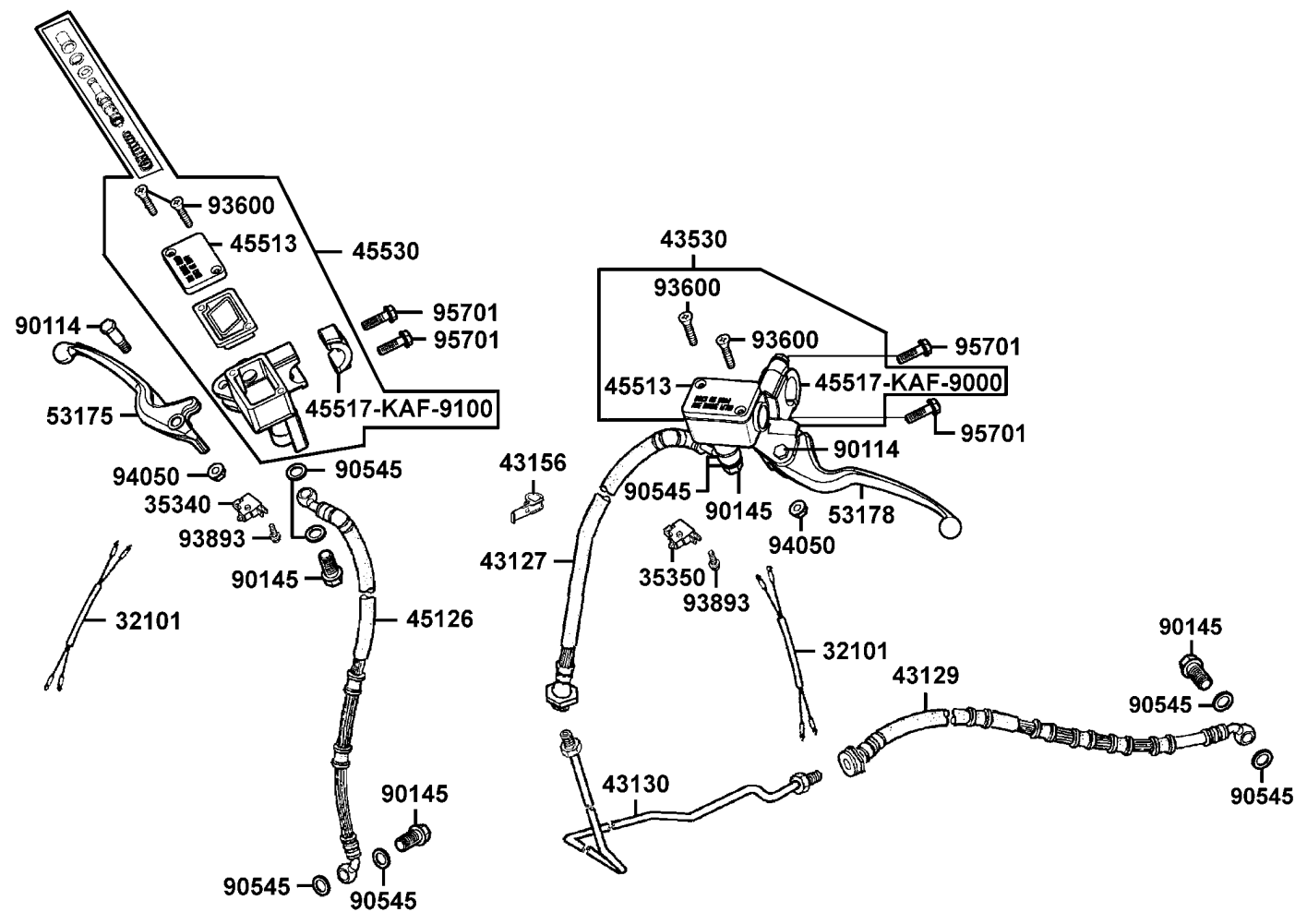


**F 4 Brake Master Cylinder**



| 販賣記號<br>Sales mark | 項目<br>Ref no | 零件號碼<br>Part no   | 版數<br>Ver | 英文名稱<br>Description  | 中文名稱<br>Chinese | 需要用量<br>Regd no | 參考價<br>Ref Price |
|--------------------|--------------|-------------------|-----------|----------------------|-----------------|-----------------|------------------|
| *                  |              | 32101-GY6-9000    | 1         | SUB CORD R           | 副配線             | 2               |                  |
| *                  |              | 35340-KBN-9000    | 0         | SW ASSY FR STOP      | 煞車燈前置開關組        | 1               |                  |
| *                  |              | 35350-KBN-9000    | 0         | SW ASSY RR STOP      | 煞車燈前置開關組        | 1               |                  |
| *                  |              | 43127-KGB5-9000   | 1         | HOSE ASSY M/C RR BRK | 後煞車油管前段         | 1               |                  |
| *                  |              | 43129-KGB5-9000   | 2         | HOSE ASSY C/P RR BRK | 後煞車油管後段         | 1               |                  |
| *                  |              | 43130-KGB5-9000   | 0         | TUBE ASSY RR BRK     | 後煞車連接銅線         | 1               |                  |
| *                  |              | 43156-KGB5-9000   | 0         | CLAMPER BRK HOSE     | 油管夾             | 1               |                  |
| *                  |              | 43530-KGB5-3060   | 2         | CYLINDER SET MASTER  | 後煞車主油缸          | 1               |                  |
| *                  |              | 45126-KGB5-9000   | 0         | HOSE ASSY FR BRK     | 前煞車油管           | 1               |                  |
| *                  |              | 45513-KCC-9000    | 0         | CAP MASTER CYLINDER  | 煞車主油缸蓋          | 2               |                  |
| *                  |              | 45517-KAF-9000    | 0         | HOLDER M/C           | 主油缸固定座          | 1               |                  |
| *                  |              | 45517-KAF-9100    | 0         | HOLDER M/C           | 主油缸固定座          | 1               |                  |
| *                  |              | 45530-KEB7-3060   | 0         | CYLN SET MASTER      | 前煞車主油缸          | 1               |                  |
| **                 |              | 53175-KBX-E00     | 3         | LEVER R STRG HNDL    | 右煞車拉桿           | 1               |                  |
| **                 |              | 53178-KBK-E00     | 0         | LEVER L STRG HANDLE  | 左煞車拉桿           | 1               |                  |
| *                  |              | 90114-166-0070    | 1         | BOLT HANDLE LEVER    | 右拉桿固定螺栓         | 2               |                  |
| *                  |              | 90145-MS9-6120-M1 | 0         | OIL BOLT 10*22       | 油管螺絲 10X22      | 4               |                  |
| *                  |              | 90545-300-0010    | 2         | WASHER OIL BOLT      | 華司              | 8               |                  |
| *                  |              | 93600-04012-1G    | 0         | SCREW FLAT 4*12      | 螺絲 4X12         | 4               |                  |
| *                  |              | 93893-04012-18    | 0         | SCREW WASH 4*12      | 螺絲 4X12         | 2               |                  |

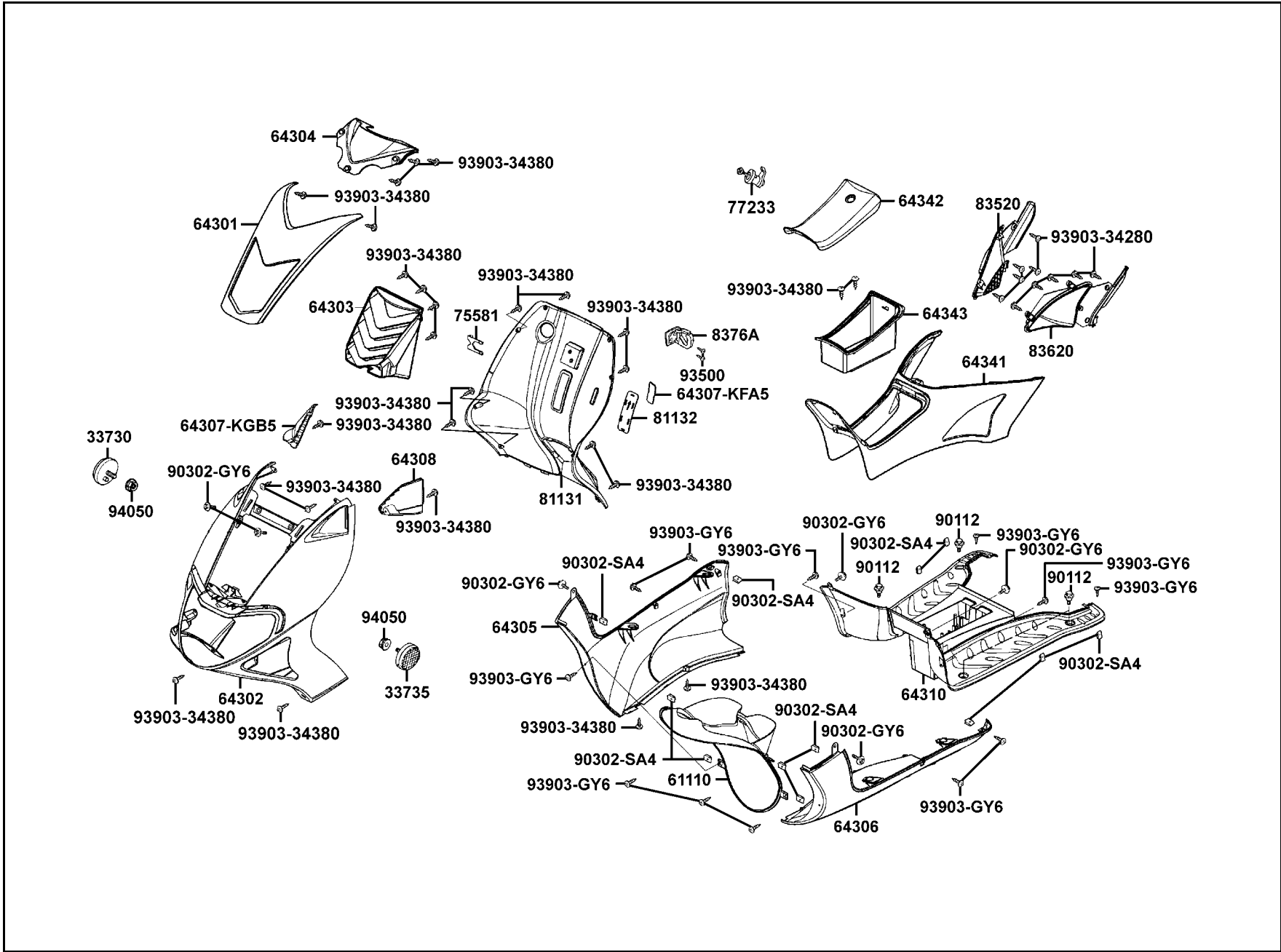
**F 4 Brake Master Cylinder**



F 4

| 販賣記號       | 項目     | 零件號碼           | 版數  | 英文名稱             | 中文名稱    | 需要用量    | 參考價       |
|------------|--------|----------------|-----|------------------|---------|---------|-----------|
| Sales mark | Ref no | Part no        | Ver | Description      | Chinese | Regd no | Ref Price |
| *          |        | 94050-06080    | 0   | NUT FLANGE 6MM   | 螺帽 6MM  | 1       |           |
| *          |        | 95701-06022-07 | 0   | BOLT FLANGE 6*22 | 螺絲 6X22 | 4       |           |

**F 5 Front Cover●Floor Panel**



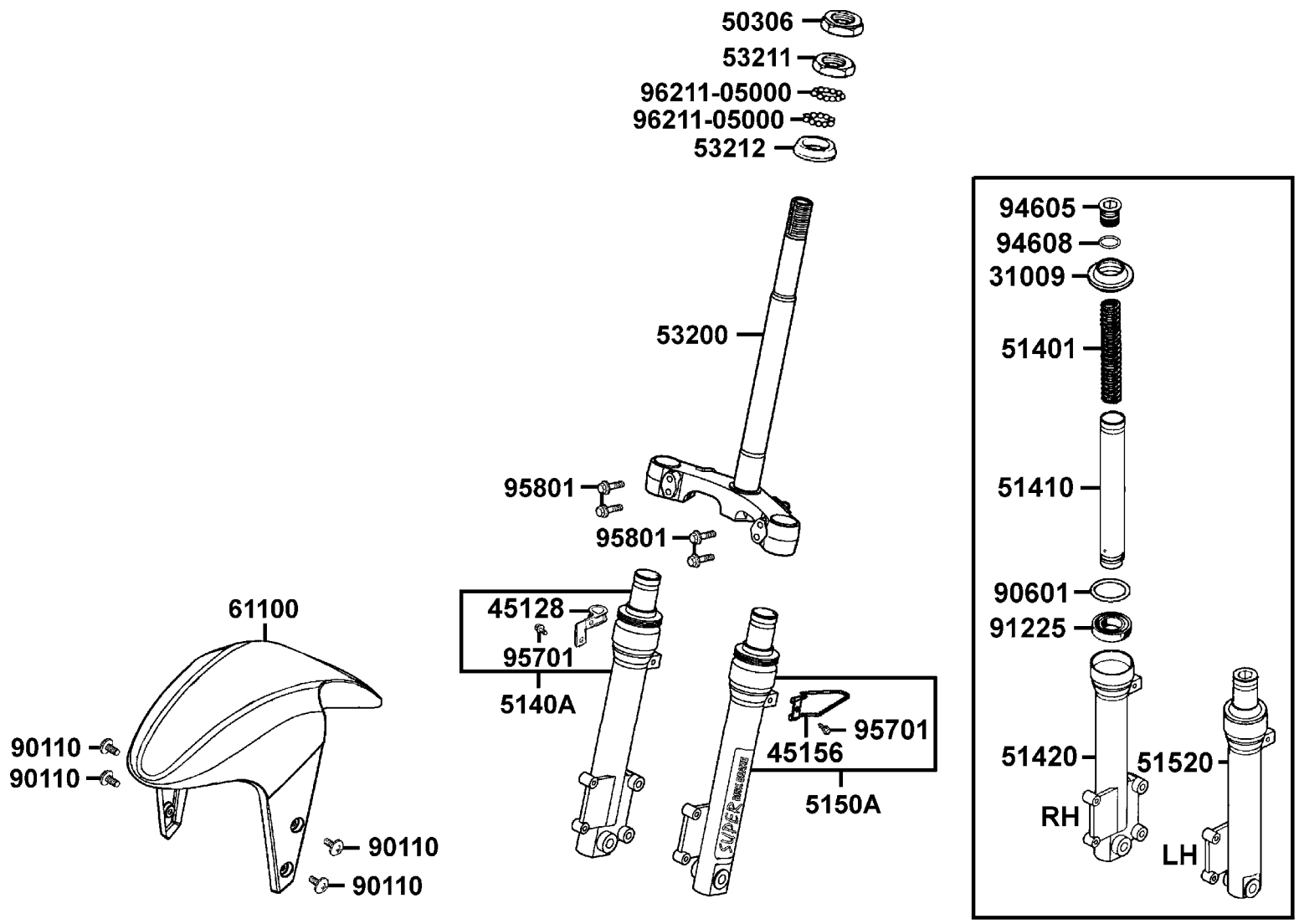
| 販賣記號       | 項目     | 零件號碼            | 版數  | 英文名稱                         | 中文名稱    | 需要用量    | 參考價       |
|------------|--------|-----------------|-----|------------------------------|---------|---------|-----------|
| Sales mark | Ref no | Part no         | Ver | Description                  | Chinese | Regd no | Ref Price |
| *          |        | 33730-KGB5-M30  | 0   | REFLEX REFLECTOR COMP R SIDE | 右反射器    | 1       |           |
| *          |        | 33735-KGB5-M30  | 0   | REFLEX REFLECTOR COMP L SIDE | 左反射器    | 1       |           |
| **         |        | 61110-KGB5-900  | 1   | FENDER FR INNER              | 前土除 A   | 1       |           |
| **         |        | 64301-KGB5-900  | 0   | COVER SET FR                 | 前蓋      | 1       |           |
| **         |        | 64302-KGB5-900  | 1   | MOLDING FR                   | 前下蓋     | 1       |           |
| *          |        | 64303-KGB5-900  | 1   | GRILL FR                     | 前通風口    | 1       |           |
| **         |        | 64304-KGB5-900  | 0   | COVER FR INNER CENTER        | 前上蓋     | 1       |           |
| **         |        | 64305-KGB5-M00  | 0   | SKIRT R SIDE                 | 右邊軌     | 1       |           |
| **         |        | 64306-KGB5-M00  | 0   | SKIRT L SIDE                 | 邊軌      | 1       |           |
| *          |        | 64307-KFA5-9000 | 0   | LID LEG SHIELD WIND          | 內箱小蓋    | 1       |           |
| **         |        | 64307-KGB5-900  | 0   | COVER R INNER SIDE           | 右前內蓋    | 1       |           |
| **         |        | 64308-KGB5-900  | 0   | COVER L INNER SIDE           | 左前內蓋    | 1       |           |
| **         |        | 64310-KGB5-900  | 1   | FLOOR PANEL                  | 腳踏板     | 1       |           |
| **         |        | 64341-KGB5-900  | 4   | COVER TUNNEL                 | 腳踏定位板   | 1       |           |
| **         |        | 64342-KGB5-900  | 1   | LID TUNNEL                   | 腳踏定位板   | 1       |           |
| **         |        | 64343-KGB5-900  | 0   | BOX TUNNEL INNER             | 腳踏定位板盒子 | 1       |           |
| *          |        | 75581-673-0010  | 0   | SET SPG LOCK KEY             | 鎖頭彈簧固定夾 | 1       |           |
| *          |        | 77233-GY6-3050  | 0   | LOCK ASSY INNER BOX          | 鎖頭      | 1       |           |
| **         |        | 81131-KGB5-900  | 1   | LEG SHIELD                   | 行旅內箱    | 1       |           |
| **         |        | 81132-KGB5-900  | 0   | LID LEG SHIELD               | 內箱蓋     | 1       |           |



| 販賣記號       | 項目     | 零件號碼            | 版數  | 英文名稱               | 中文名稱     | 需要用量    | 參考價       |
|------------|--------|-----------------|-----|--------------------|----------|---------|-----------|
| Sales mark | Ref no | Part no         | Ver | Description        | Chinese  | Regd no | Ref Price |
| **         |        | 83520-KGB5-900  | 0   | GRILL R SIDE       | 右邊通氣架    | 1       |           |
| *          |        | 83620-KGB5-900  | 0   | GRILL L SIDE       | 內務箱左邊通氣架 | 1       |           |
| *          |        | 8376A-KCE-9000  | 2   | CLIP ASSY CENTER   | 中心掛鉤     | 1       |           |
| *          |        | 90112-KFA1-9000 | 0   | BOLT FLANGE 6MM    | 螺絲 6MM   | 4       |           |
| *          |        | 90302-GY6-9010  | 0   | BOLT-WASH 5*12     | 螺絲 5X12  | 6       |           |
| *          |        | 90302-SA4-0040  | 1   | NUT SPRING 4MM     | 螺帽 4MM   | 12      |           |
| *          |        | 93500-04020-0G  | 0   | SCREW PAN 4*20     | 螺釘 4X20  | 2       |           |
| *          |        | 93903-34280     | 0   | SCREW TAPPING 4X10 | 螺絲 4X10  | 10      |           |
| *          |        | 93903-34380     | 0   | SCREW TAPPING 4*12 | 螺釘 4X12  | 27      |           |
| *          |        | 93903-GY6-9000  | 0   | SCREW TAPPING 4*14 | 螺絲 4X14  | 12      |           |
| *          |        | 94050-06080     | 0   | NUT FLANGE 6MM     | 螺帽 6MM   | 2       |           |

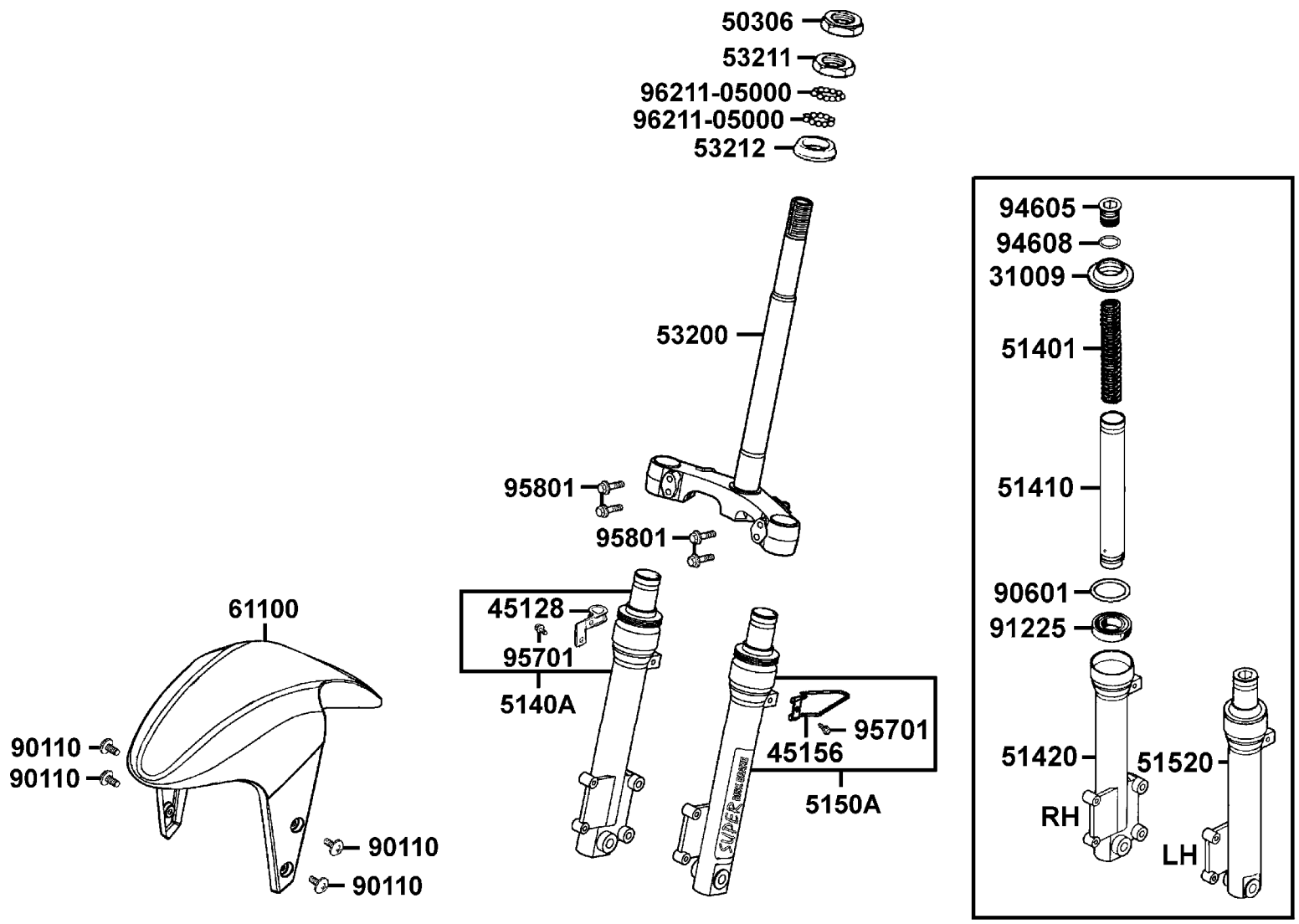


**F 6 Steering Stem ● Front Cushion**



| 販賣記號       | 項目     | 零件號碼            | 版數  | 英文名稱                    | 中文名稱    | 需要用量    | 參考價       |
|------------|--------|-----------------|-----|-------------------------|---------|---------|-----------|
| Sales mark | Ref no | Part no         | Ver | Description             | Chinese | Regd no | Ref Price |
| *          |        | 31009-330-71    | 0   | DUST SEAL               | 油封      | 2       |           |
| *          |        | 45128-KBE-9000  | 0   | CLAMPER FR BRAKE HOSE   | 煞車油管夾   | 1       |           |
| *          |        | 45156-KCT-8000  | 0   | CLAMPER FR BRK CABLE    | 導線鉤     | 1       |           |
| *          |        | 50306-196-0010  | 0   | NUT STRG STEM LOCK      | 主幹螺帽    | 1       |           |
| *          |        | 51401-KGB5-900  | 0   | SPRING                  | 彈簧      | 2       |           |
| *          |        | 5140A-KGB5-900  | 1   | FORK ASSY R FR          | 右前避震器組  | 1       |           |
| *          |        | 51410-KGB5-900  | 0   | FORK PIPE COMP          | 前避震器管   | 2       |           |
| *          |        | 51420-KGB5-900  | 0   | BOTTOM CASE R           | 右前避震器管  | 1       |           |
| *          |        | 5150A-KGB5-900  | 1   | FORK SET L FR           | 左前避震器整組 | 1       |           |
| *          |        | 51520-KGB5-900  | 0   | BOTTOM CASE L           | 左前避震器管  | 1       |           |
| *          |        | 53200-KGB5-9000 | 0   | STEM COMP STRG          | 轉向主桿    | 1       |           |
| *          |        | 53211-GY6-9400  | 0   | RACE STRG TOP CONE      | 上錐體座圈   | 1       |           |
| *          |        | 53212-GC8-0040  | 1   | RACE (STRG BOTTOM) CONE | 下錐體座圈   | 1       |           |
| **         |        | 61100-KGB5-900  | 0   | FENDER FR               | 前土除     | 1       |           |
| *          |        | 90110-KEB7-9000 | 0   | SCREW SPECIAL 6*14      | 螺絲 6*14 | 4       |           |
| *          |        | 90601-354-0010  | 0   | RING OIL-SEAL STOPPER   | 油封止位環   | 2       |           |
| *          |        | 91225-446-0140  | 0   | OIL SEAL                | 油封      | 2       |           |
| *          |        | 94605-KBE-9000  | 0   | FORK BOLT               | 前避震器螺絲  | 2       |           |
| *          |        | 94608-30000     | 0   | O-RING                  | O環      | 2       |           |
| *          |        | 95701-06012-08  | 0   | BOLT FLANGE 6*12        | 螺絲 6*12 | 2       |           |

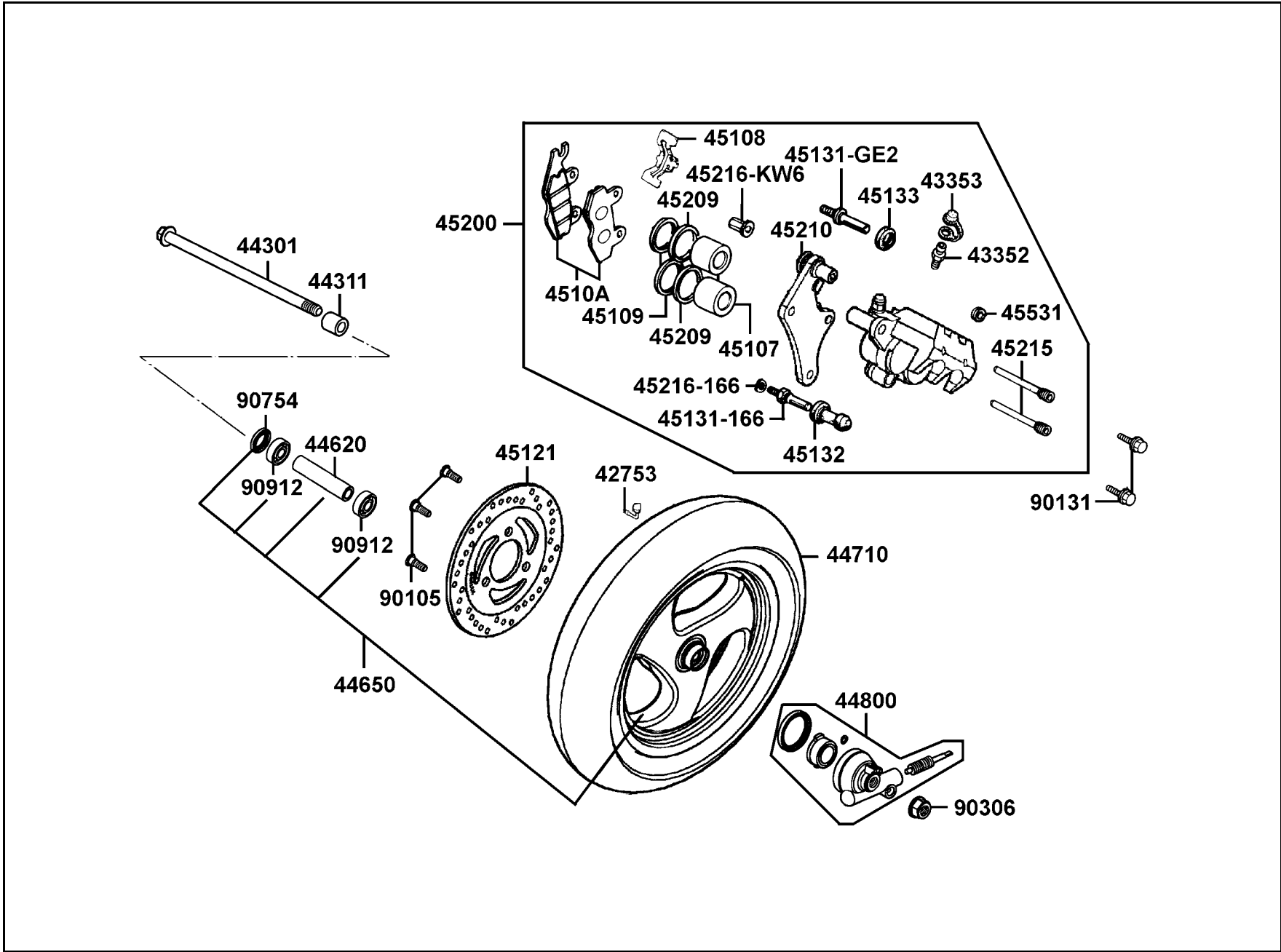
**F 6 Steering Stem ● Front Cushion**



| 販賣記號       | 項目     | 零件號碼           | 版數  | 英文名稱             | 中文名稱    | 需要用量    | 參考價       |
|------------|--------|----------------|-----|------------------|---------|---------|-----------|
| Sales mark | Ref no | Part no        | Ver | Description      | Chinese | Regd no | Ref Price |
| *          |        | 95801-08040-08 | 0   | BOLT FLANGE 8*40 | 螺絲 8X40 | 4       |           |
| *          |        | 96211-05000    | 0   | BALL STEEL #5    | 上端鋼珠 #5 | 55      |           |

F 6

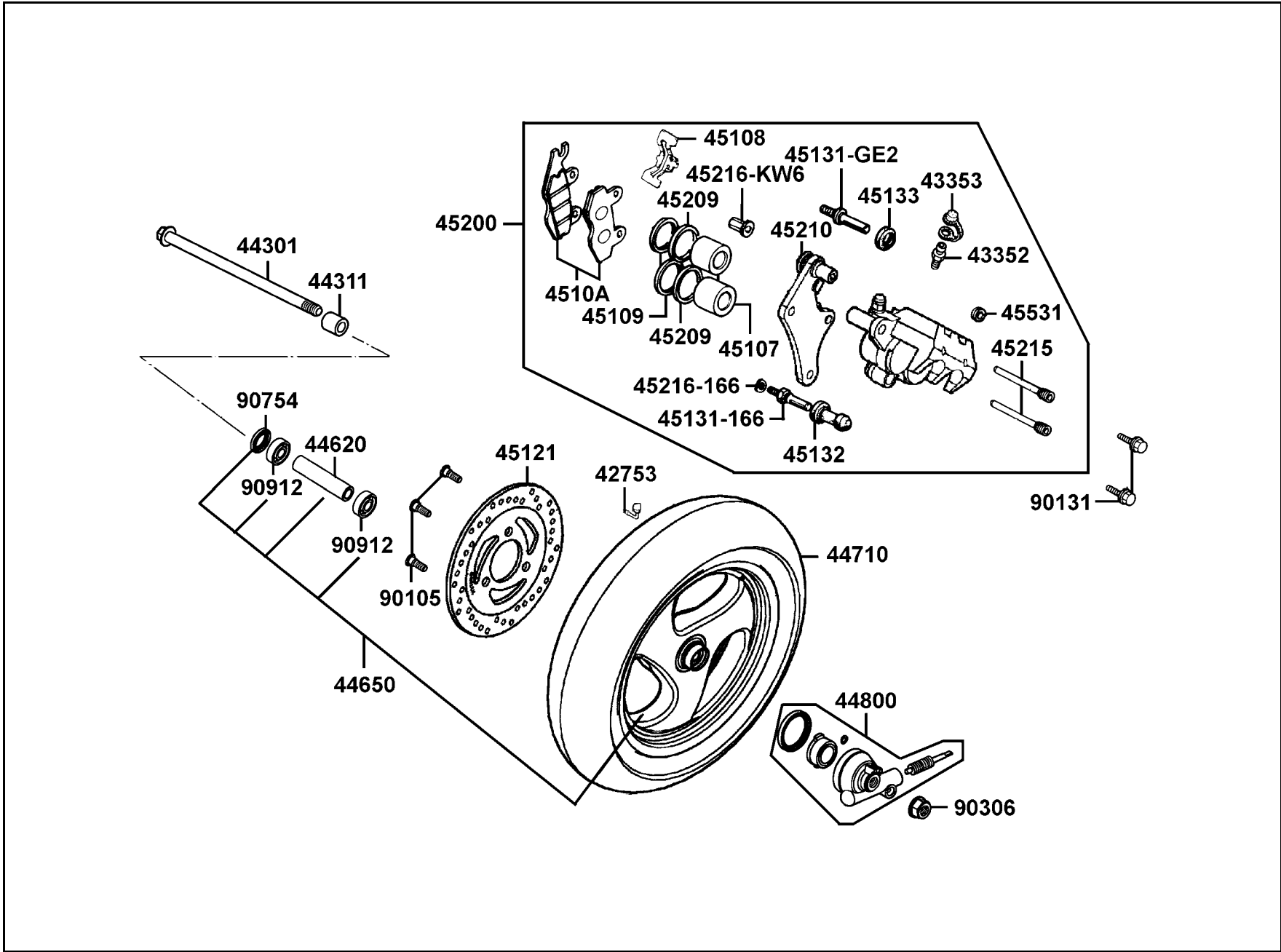
**F 7 Front Wheel**



| 販賣記號       | 項目     | 零件號碼              | 版數  | 英文名稱                    | 中文名稱    | 需要用量    | 參考價       |
|------------|--------|-------------------|-----|-------------------------|---------|---------|-----------|
| Sales mark | Ref no | Part no           | Ver | Description             | Chinese | Regd no | Ref Price |
| *          |        | 42753-KCX-9000    | 1   | VALVE (PVR-70B) & CAP   | 打氣嘴     | 1       |           |
| *          |        | 43352-KKD6-E90    | 0   | SCREW BLEEDER           | 加油嘴     | 1       |           |
| *          |        | 43353-461-7710-M1 | 0   | CAP BLEEDER             | 加油嘴蓋    | 1       |           |
| *          |        | 44301-KGB5-9000   | 0   | AXLE FR WHEEL           | 前輪軸     | 1       |           |
| *          |        | 44311-KBE-9000    | 0   | COLLAR FR WHEEL SIDE    | 前輪邊套筒   | 1       |           |
| *          |        | 44620-KBE-9000    | 3   | COLLAR FR AXLE DISTANCE | 前輪軸距套筒  | 1       |           |
| **         |        | 44650-KFC8-305    | 0   | WHEEL SET FR            | 前輪圈組    | 1       |           |
| *          |        | 44710-KEB7-E1A    | 0   | TIRE ASSY FR            | 前輪胎     | 1       |           |
| *          |        | 44800-KFA5-9000   | 1   | GEAR BOX ASSY           | 速度齒輪箱組  | 1       |           |
| *          |        | 45107-KKD6-E90    | 0   | PISTON                  | 卡鉗活塞    | 2       |           |
| *          |        | 45108-ML4-0060    | 2   | PAD SPG                 | 摩擦板彈簧   | 1       |           |
| *          |        | 45109-GE2-0060    | 0   | DUST SEAL               | 防塵封     | 2       |           |
| *          |        | 4510A-KW6-9000    | 2   | PAD SET                 | 煞車摩擦板組  | 1       |           |
| **         |        | 45121-KGB5-900    | 0   | DISK FR BRAKE           | 前煞車圓盤   | 1       |           |
| *          |        | 45131-166-0160    | 0   | PIN BOLT                | 螺絲銷     | 1       |           |
| *          |        | 45131-GE2-0060    | 1   | PIN BOLT A              | 螺絲銷 A   | 1       |           |
| *          |        | 45132-166-0160    | 0   | BUSH BOOT PIN           | 襯套      | 1       |           |
| *          |        | 45133-MA3-0060    | 0   | BOOT B                  | 襯套 B    | 1       |           |
| **         |        | 45200-KGB5-E90    | 0   | CALIPER ASSY FR         | 前煞車卡鉗組  | 1       |           |
| *          |        | 45209-GE2-0060    | 0   | SEAL PISTON             | 油封      | 2       |           |

F 7

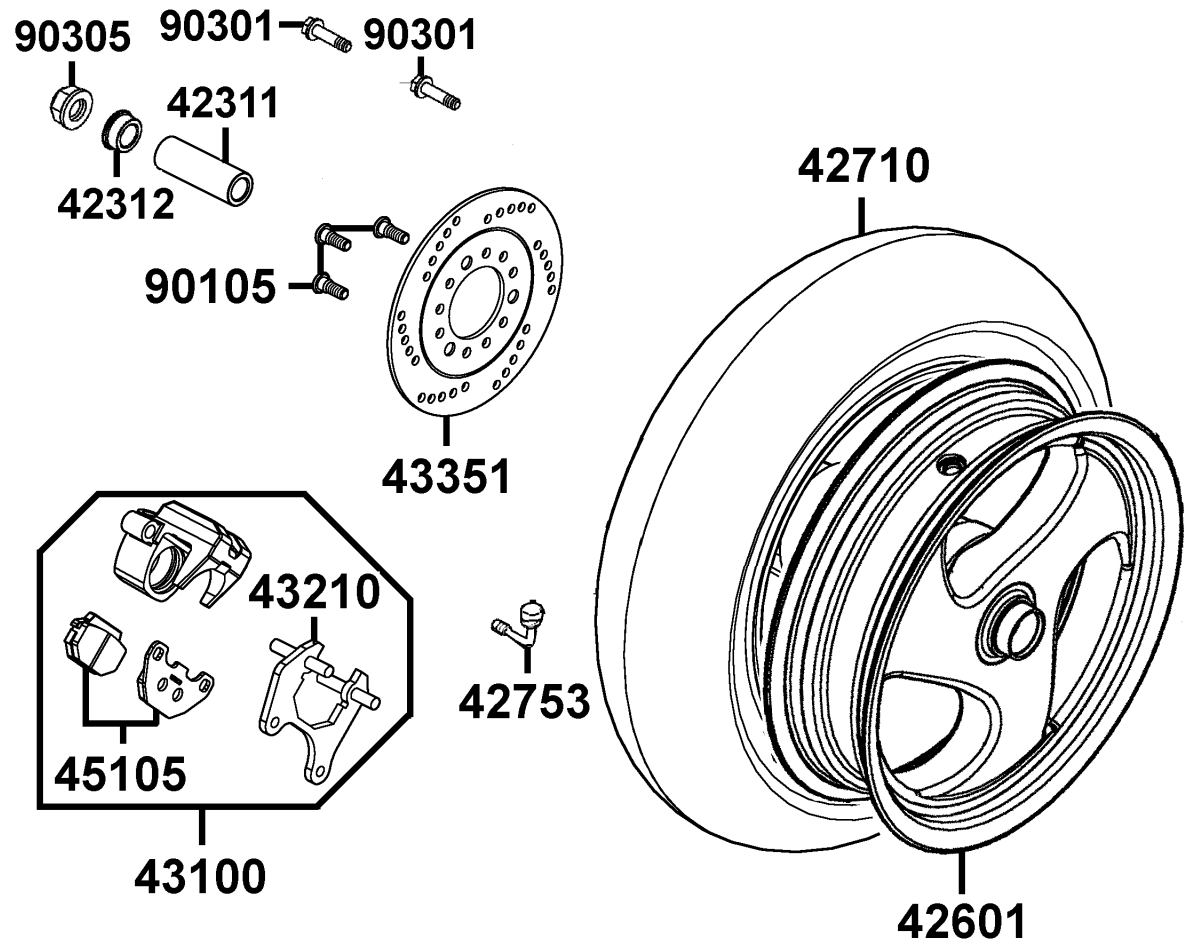
**F 7 Front Wheel**



| 販賣記號<br>Sales mark | 項目<br>Ref no | 零件號碼<br>Part no   | 版數<br>Ver | 英文名稱<br>Description | 中文名稱<br>Chinese | 需要用量<br>Regd no | 參考價<br>Ref Price |
|--------------------|--------------|-------------------|-----------|---------------------|-----------------|-----------------|------------------|
| *                  |              | 45210-KGB5-9000   | 0         | BRACKET FR          | 前煞車卡鉗托架         | 1               |                  |
| *                  |              | 45215-KKD6-E90    | 0         | PIN HANGER          | 吊架銷             | 2               |                  |
| *                  |              | 45216-166-0060    | 0         | WASHER WAVE         | 華司              | 1               |                  |
| *                  |              | 45216-KW6-9020-M1 | 0         | TORQUE NUT          | 螺帽              | 1               |                  |
| *                  |              | 45531-GR1-9510    | 0         | PLUG                | 塞蓋              | 1               |                  |
| *                  |              | 90105-KR3-0010    | 1         | BOLT FR DISK 8*24   | 前煞車圓盤螺絲         | 3               |                  |
| *                  |              | 90131-GW0-9110    | 0         | BOLT FLANGE 8X35    | 螺絲 8X35         | 2               |                  |
| *                  |              | 90306-GW0-9020-M1 | 0         | NUT U FLANGE 12MM   | 螺帽 12MM         | 1               |                  |
| *                  |              | 90754-GC8-0000    | 0         | SEAL DUST 20*32*5   | 油封 20X32X5      | 1               |                  |
| *                  |              | 90912-KLF-00B     | 0         | BEARING 6201 LLU    | 軸承 6201         | 2               |                  |

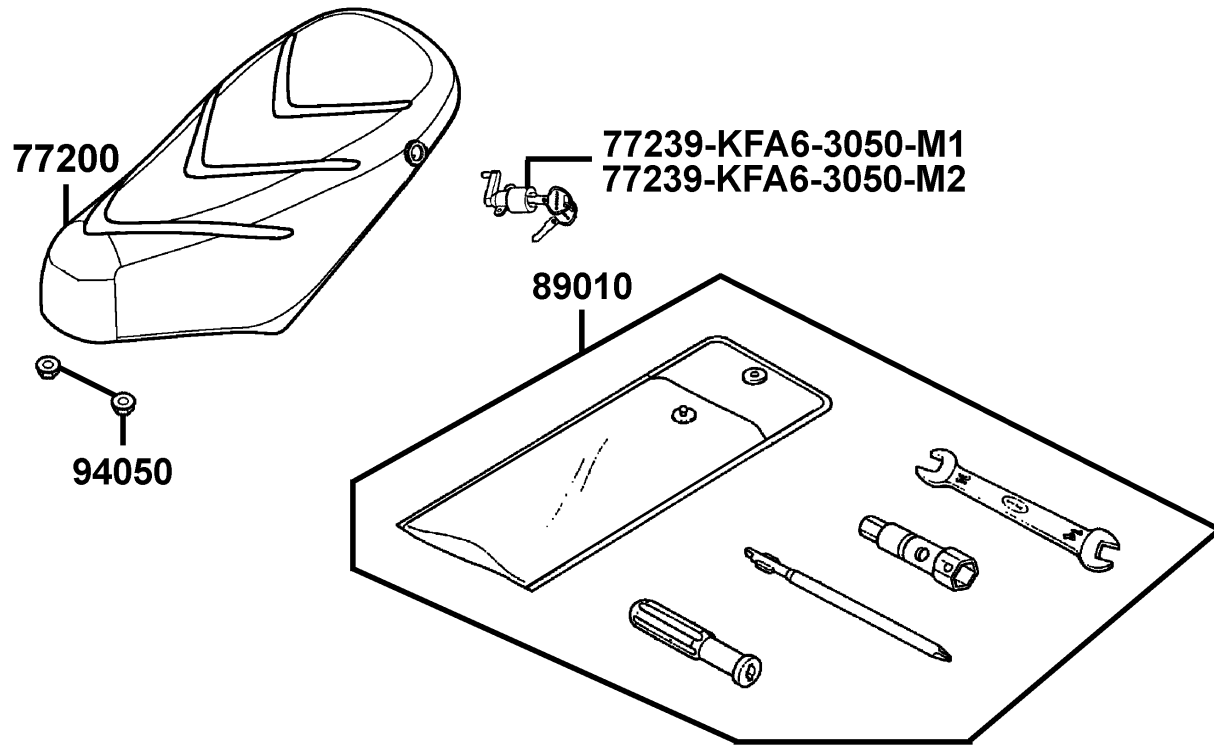


**F 8 Rear Wheel**



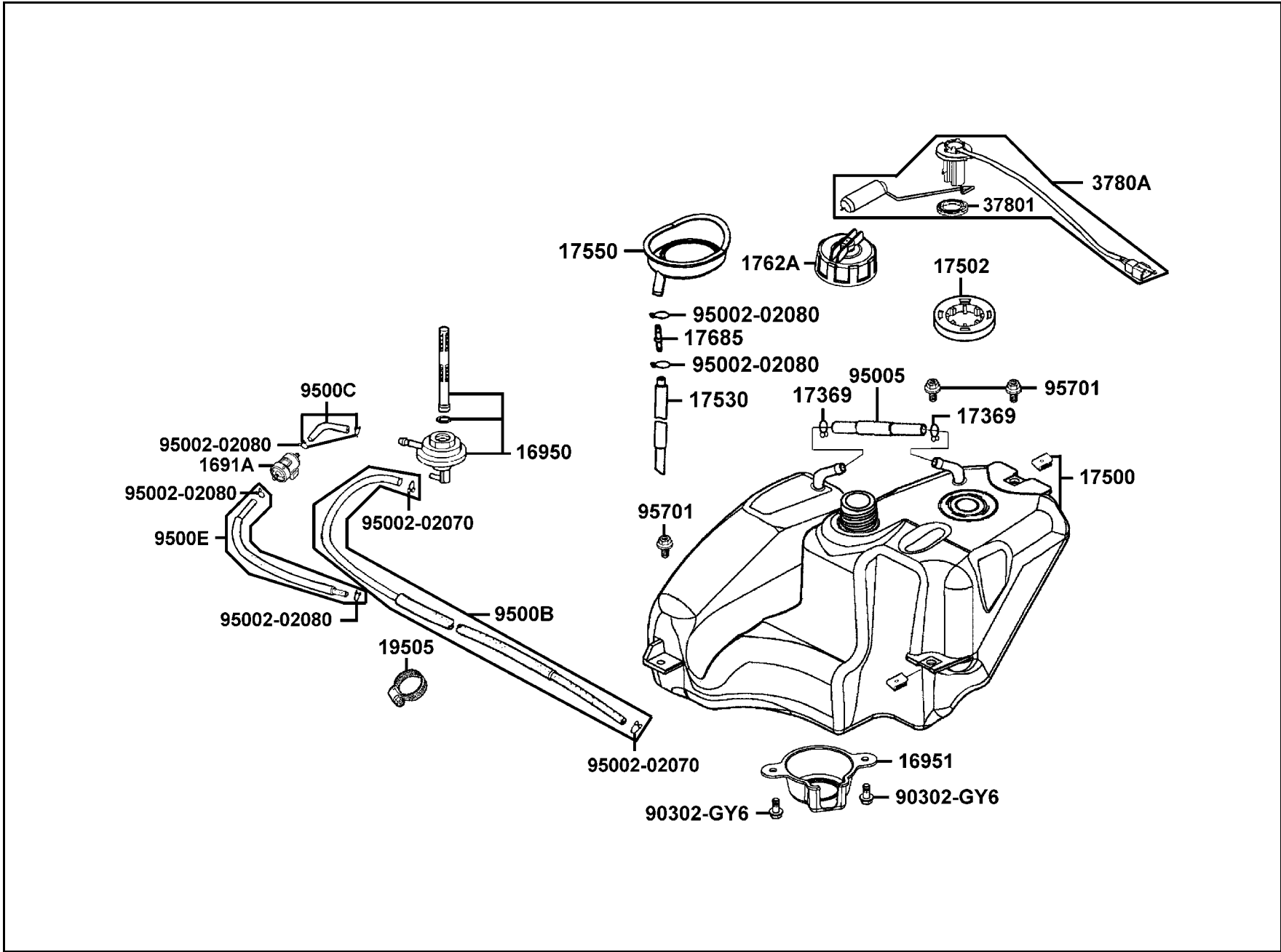
| 販賣記號<br>Sales mark | 項目<br>Ref no | 零件號碼<br>Part no   | 版數<br>Ver | 英文名稱<br>Description | 中文名稱<br>Chinese | 需要用量<br>Regd no | 參考價<br>Ref Price |
|--------------------|--------------|-------------------|-----------|---------------------|-----------------|-----------------|------------------|
| *                  |              | 42311-KFC8-9000   | 2         | COLLAR RR AXLE A    | 套筒              | 1               |                  |
| *                  |              | 42312-KBE-9000    | 0         | COLLAR RR AXLE SIDE | 套筒              | 1               |                  |
| **                 |              | 42601-KFC8-900    | 0         | WHEEL COMP RR CAST  | 後輪圈             | 1               |                  |
| *                  |              | 42710-KFC8-90A    | 0         | TIRE ASSY RR        | 後輪胎             | 1               |                  |
| *                  |              | 42753-004-9000    | 1         | VALVE               | 打氣嘴             | 1               |                  |
| **                 |              | 43100-KGB5-900    | 0         | CALIPER ASSY RR     | 後煞車卡鉗           | 1               |                  |
| *                  |              | 43210-KGB5-9000   | 0         | BRACKET RR          | 後煞車卡鉗托架         | 1               |                  |
| **                 |              | 43351-KBE-9000    | 2         | DISK RR BRAKE       | 後煞車圓盤           | 1               |                  |
| *                  |              | 45105-KFA6-3050   | 0         | PAD COMP            | 煞車摩擦板組          | 1               |                  |
| *                  |              | 90105-KR3-0010    | 1         | BOLT FR DISK 8*24   | 前煞車圓盤螺絲         | 3               |                  |
| *                  |              | 90131-GW0-9110    | 0         | BOLT FLANGE 8*35    | 螺絲 8X35         | 2               |                  |
| *                  |              | 90305-KW6-9120-M2 | 0         | NUT FLANGE 16MM     | 螺帽16MM          | 1               |                  |

**F 9 Seat**



| 販賣記號<br>Sales mark | 項目<br>Ref no | 零件號碼<br>Part no    | 版數<br>Ver | 英 文 名 稱<br>Description | 中 文 名 稱<br>Chinese | 需要用量<br>Regd no | 參考價<br>Ref Price |
|--------------------|--------------|--------------------|-----------|------------------------|--------------------|-----------------|------------------|
| **                 |              | 77200-KGB5-900     | 0         | SEAT ASSY              | 座墊                 | 1               |                  |
| *                  |              | 77239-KFA6-3050-M1 | 0         | KEY SEAT LOCK          | 座墊鎖                | 1               |                  |
| *                  |              | 77239-KFA6-3050-M2 | 0         | KEY SEAT LOCK          | 座墊鎖                | 1               |                  |
| *                  |              | 89010-GS7-C000     | 2         | TOOL SET               | 工具包組               | 1               |                  |
| *                  |              | 94050-06080        | 0         | NUT FLANGE 6MM         | 螺帽 6MM             | 2               |                  |

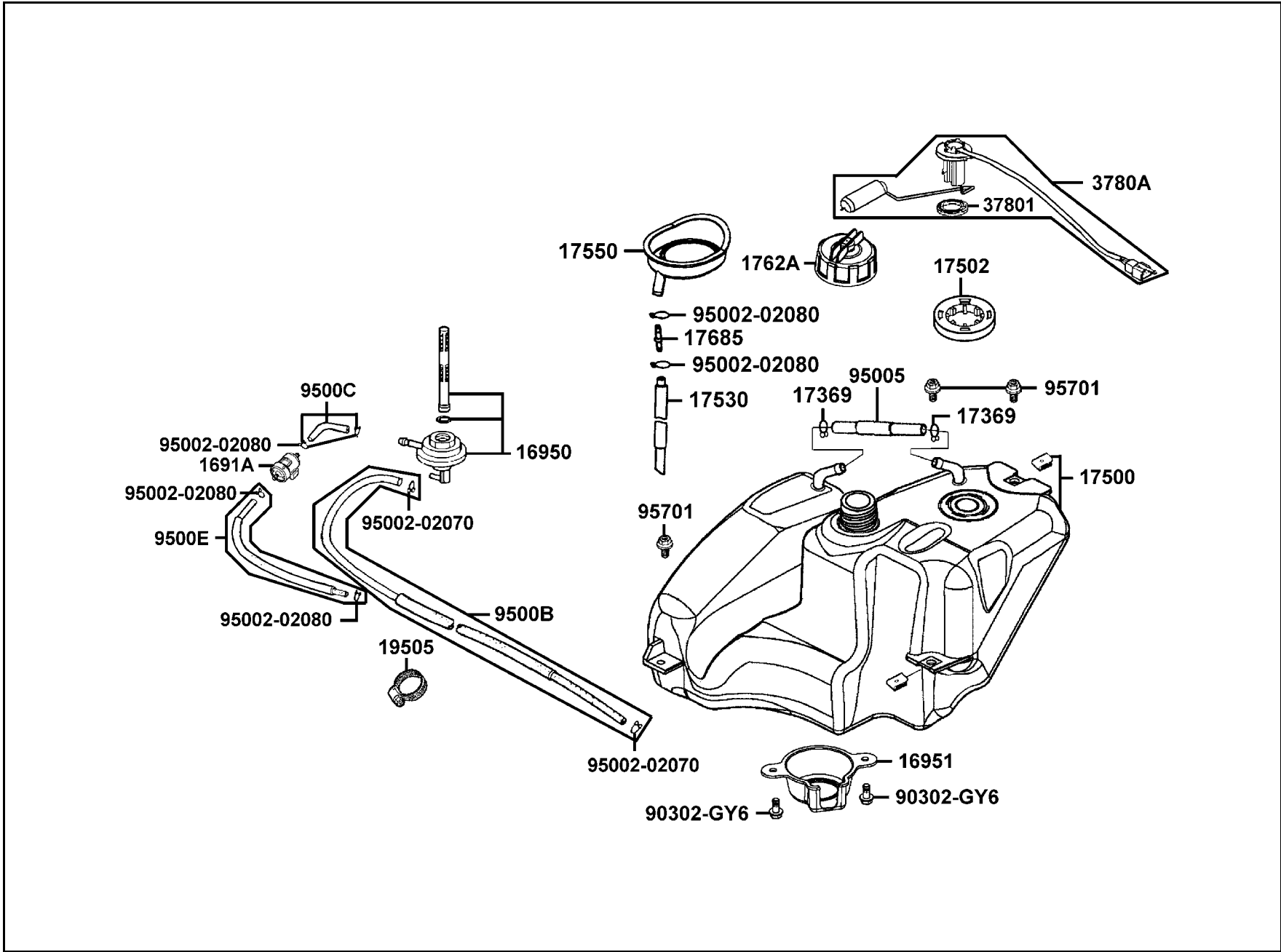
**F 10 Fuel Tank**



| 販賣記號       | 項目     | 零件號碼              | 版數  | 英文名稱                     | 中文名稱    | 需要用量    | 參考價       |
|------------|--------|-------------------|-----|--------------------------|---------|---------|-----------|
| Sales mark | Ref no | Part no           | Ver | Description              | Chinese | Regd no | Ref Price |
| *          |        | 1691A-GY6-9010-M1 | 0   | STRAINER COMP FUEL ASSY  | 汽油濾清器   | 1       |           |
| *          |        | 16950-KHB4-9000   | 3   | AUTO COCK ASSY FUEL      | 自動油杯組   | 1       |           |
| *          |        | 16951-KHB4-9000   | 0   | COVER FUEL AUTO COCK     | 油杯護蓋    | 1       |           |
| *          |        | 17369-KHC4-9000   | 0   | CLIP BREATHER TUBE       | 通氣管夾    | 2       |           |
| *          |        | 17500-KGB5-9000   | 4   | TANK COMP FUEL           | 油箱      | 1       |           |
| *          |        | 17502-KGB5-9000   | 0   | RING NUT LEVER INDICATOR | 索環      | 1       |           |
| *          |        | 17530-KGB5-9000   | 1   | TUBE ASSY DRAIN          | 油管      |         |           |
| *          |        | 17550-KGB5-9000   | 0   | TRAY FUEL CAP            | 油箱蓋托盤   | 1       |           |
| *          |        | 1762A-KFA6-9000   | 3   | CAP ASSY FUEL FILLER     | 油箱蓋     | 1       |           |
| *          |        | 17685-KCZ-9000    | 0   | JOINT TUBE               | 通氣管     | 1       |           |
| *          |        | 19505-GY6-9400    | 2   | CLAMP A WATER HOSE       | 管夾      | 1       |           |
| *          |        | 37801-GA7-7000    | 1   | PACKING BASE             | 墊圈盤     | 1       |           |
| *          |        | 3780A-KGB5-E000   | 0   | FUEL UNIT ASSY           | 油量指示器組  | 1       |           |
| *          |        | 90302-GY6-9010    | 0   | BOLT-WASH 5*12           | 螺絲 5*12 | 2       |           |
| *          |        | 95002-02070       | 0   | CLIP B7 TUBE             | 管夾 B7   | 2       |           |
| *          |        | 95002-02080       | 0   | CLIP B8 TUBE             | 管夾 B8   | 6       |           |
| *          |        | 95005-KGB5-9000   | 0   | TUBE ASSY FUEL BRTHR     | 油管組     | 1       |           |
| *          |        | 9500B-KEB7-9000   | 0   | TUBE ASSY VACUUM         | 油管      | 1       |           |
| *          |        | 9500C-KGB5-9000   | 0   | TUBE ASSY FUEL           | 油管組     | 1       |           |
| *          |        | 9500E-KGB5-9000   | 0   | TUBE ASSY FUEL           | 油管組     | 1       |           |

F 10

**F 10 Fuel Tank**

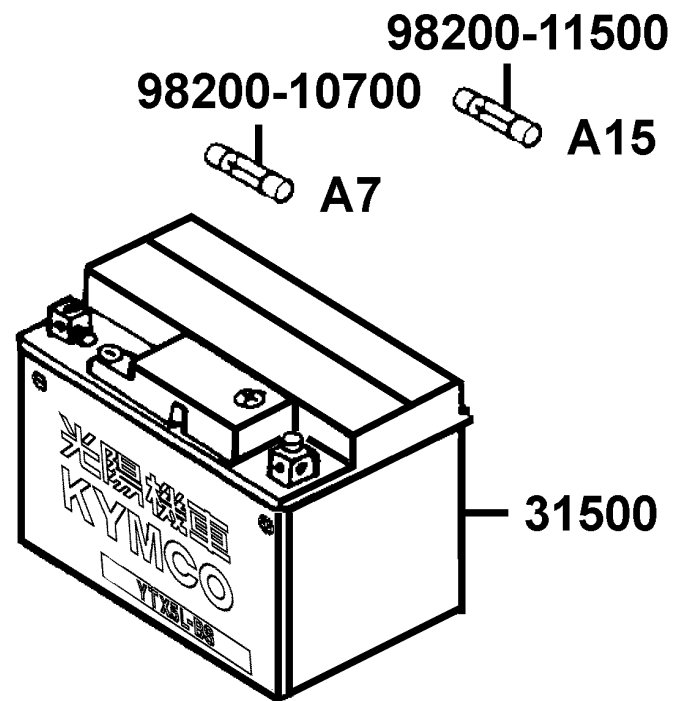


| 販賣記號       | 項目     | 零件號碼           | 版數  | 英文名稱             | 中文名稱    | 需要用量    | 參考價       |
|------------|--------|----------------|-----|------------------|---------|---------|-----------|
| Sales mark | Ref no | Part no        | Ver | Description      | Chinese | Regd no | Ref Price |
| *          |        | 95701-06016-07 | 0   | BOLT FLANGE 6*16 | 螺絲 6X16 | 3       |           |

**F 10**



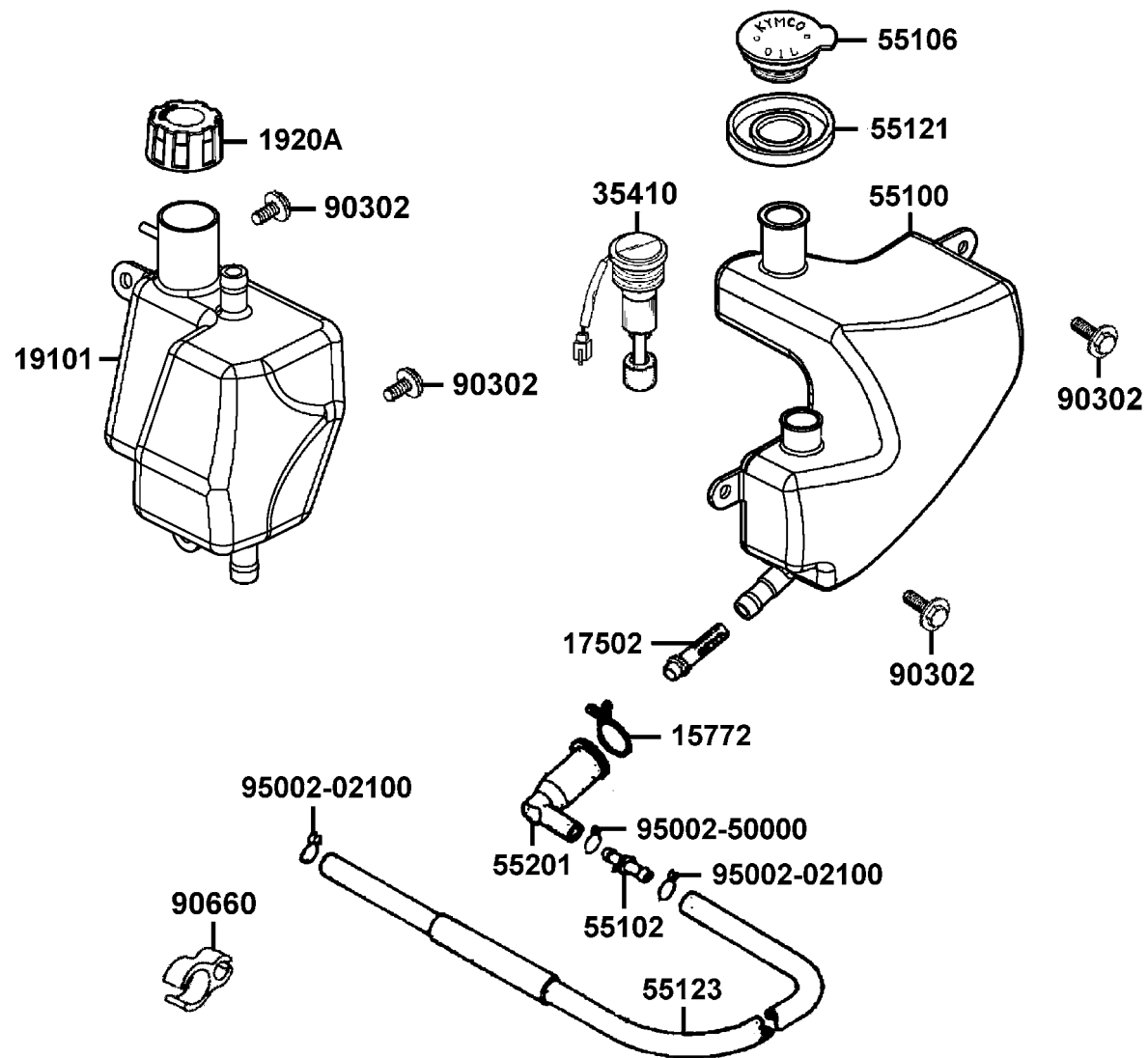
**F 11** Battery



| 販賣記號       | 項目     | 零件號碼              | 版數  | 英文名稱             | 中文名稱    | 需要用量    | 參考價       |
|------------|--------|-------------------|-----|------------------|---------|---------|-----------|
| Sales mark | Ref no | Part no           | Ver | Description      | Chinese | Regd no | Ref Price |
| *          |        | 31500-KBN-9210-M1 | 3   | BATTERY YTX5L-BS | 電瓶      | 1       |           |
| *          |        | 98200-10700       | 0   | FUSE A7          | 保險絲     | 1       |           |
| *          |        | 98200-11500       | 0   | FUSE A15         | 保險絲     | 1       |           |

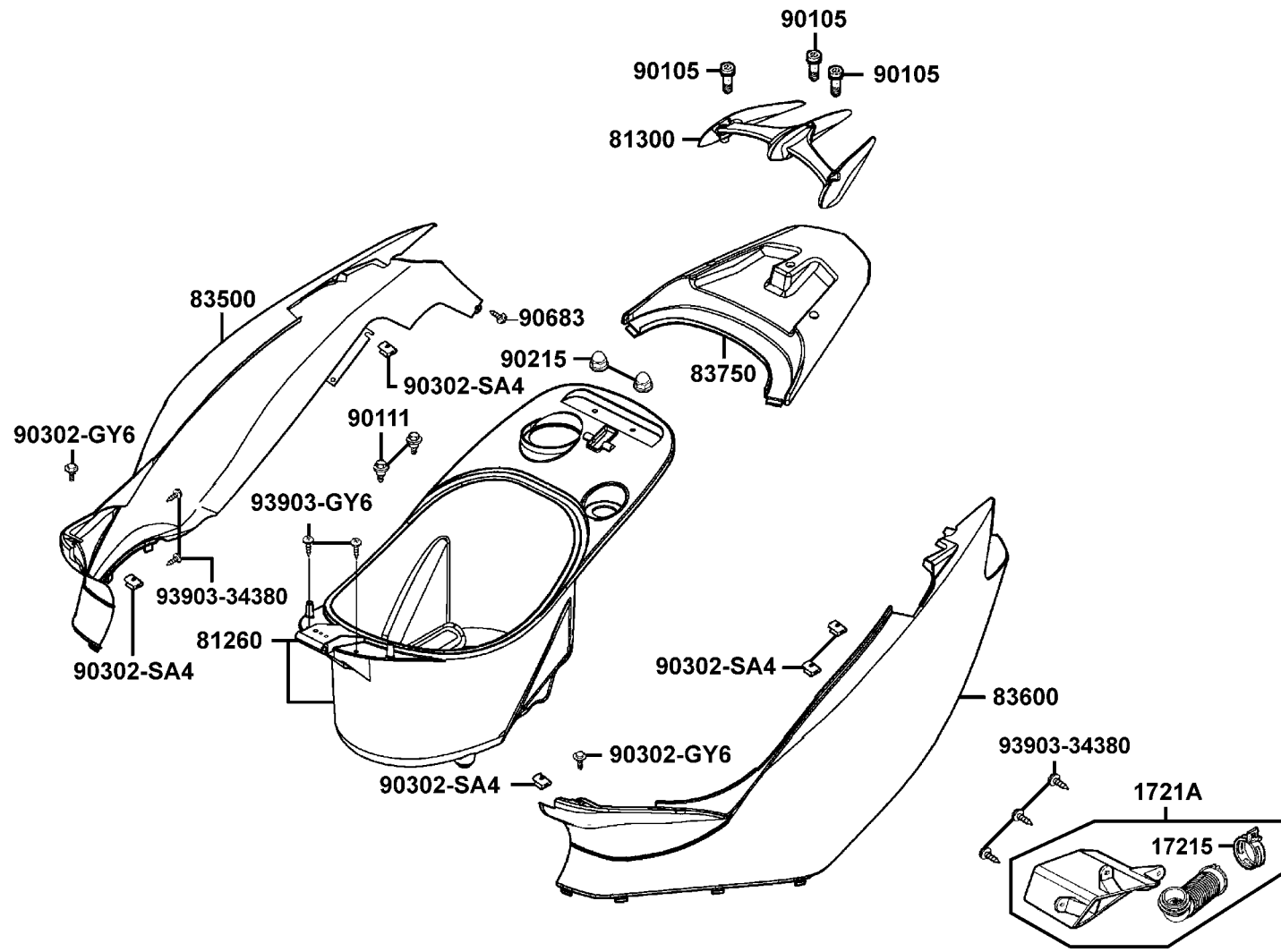
F 11

**F 12** Oil Tank ● Reserve Tank



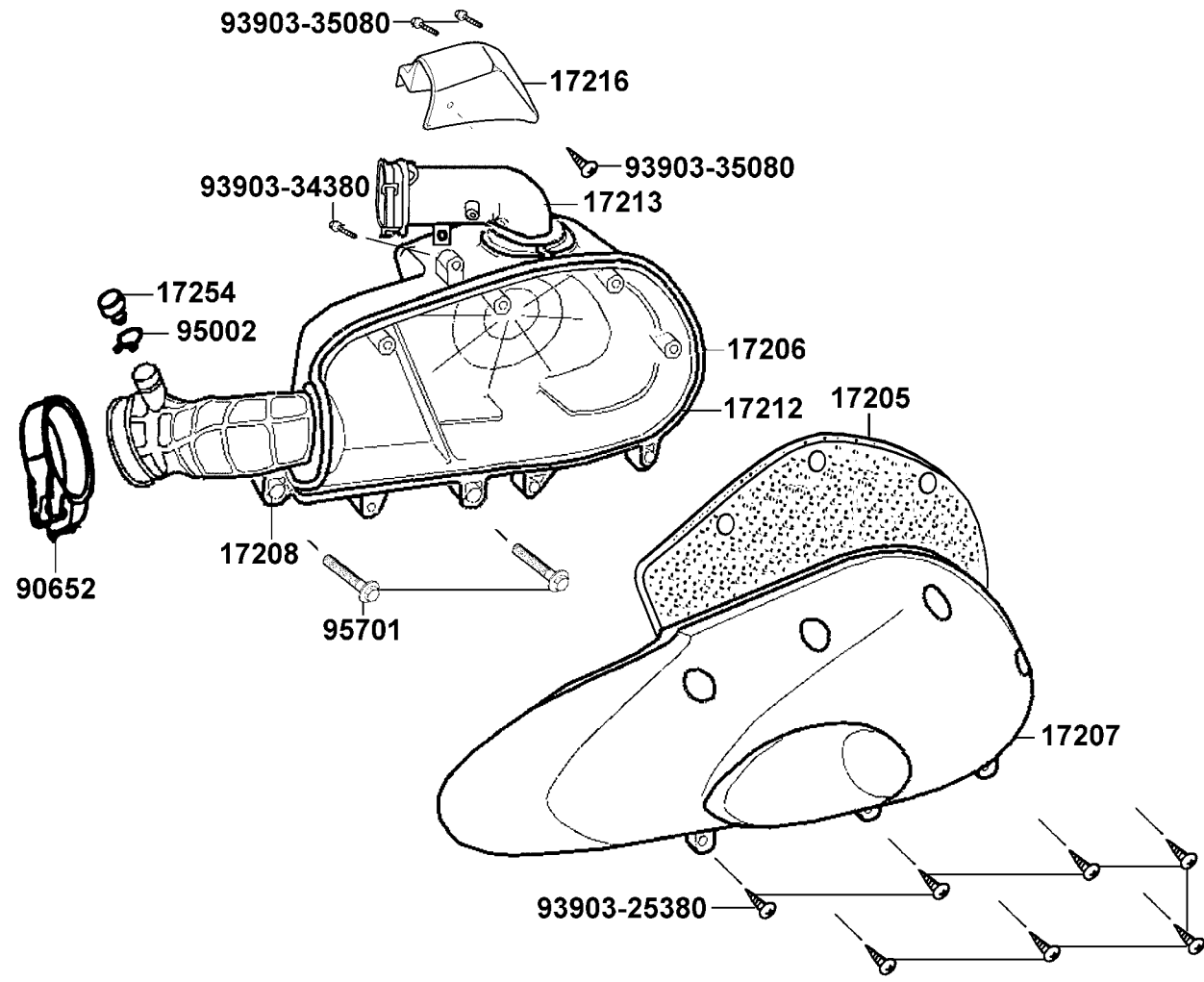
| 販賣記號       | 項目     | 零件號碼            | 版數  | 英文名稱                   | 中文名稱    | 需要用量    | 參考價       |
|------------|--------|-----------------|-----|------------------------|---------|---------|-----------|
| Sales mark | Ref no | Part no         | Ver | Description            | Chinese | Regd no | Ref Price |
| *          |        | 15772-551-0000  | 1   | CLIP BREATHER TUBE     | 通氣管夾    | 1       |           |
| *          |        | 17502-187-0000  | 0   | OIL STRAINER           | 濾油器     | 1       |           |
| *          |        | 19101-KGB5-9000 | 0   | TANK RESERVE           | 水箱      | 1       |           |
| *          |        | 1920A-KHD8-9000 | 0   | CAP ASSY RESERVE TANK  | 水箱蓋     | 1       |           |
| *          |        | 35410-KEB7-9000 | 0   | SW COMP OIL LEVEL      | 機油量指示器  | 1       |           |
| *          |        | 55100-KGB5-9000 | 0   | TANK OIL               | 機油箱     | 1       |           |
| *          |        | 55102-166-0010  | 0   | JOINT OIL TUBE         | 油管接頭    | 1       |           |
| *          |        | 55106-KEB7-9000 | 2   | CAP TANK OIL           | 機油箱蓋    | 1       |           |
| *          |        | 55121-KEB7-9000 | 0   | RUBBER OIL GUIDE       | 油箱托蓋    | 1       |           |
| *          |        | 55123-KGB5-9000 | 0   | TUBE $\varphi$ 5.3 OIL | 油管      | 1       |           |
| *          |        | 55201-187-0010  | 0   | JOINT OIL STRN         | 濾油管接頭   | 1       |           |
| *          |        | 90302-GY6-9010  | 0   | BOLT WASHER 5*12       | 螺絲 5X12 | 4       |           |
| *          |        | 90660-KBG-9000  | 0   | CLAMP TUBE             | 管夾      | 1       |           |
| *          |        | 95002-02100     | 0   | CLIP B10 TUBE          | 管夾 B10  | 2       |           |
| *          |        | 95002-50000     | 0   | CLIP C9 TUBE           | 管夾 C9   | 1       |           |

**F 13** Body Cover●Luggage Box



| 販賣記號       | 項目     | 零件號碼            | 版數  | 英文名稱                  | 中文名稱      | 需要用量    | 參考價       |
|------------|--------|-----------------|-----|-----------------------|-----------|---------|-----------|
| Sales mark | Ref no | Part no         | Ver | Description           | Chinese   | Regd no | Ref Price |
| *          |        | 17215-KGBG-9000 | 0   | CLIP ASSY A/C DUCT    | 固定管夾      | 1       |           |
| *          |        | 1721A-KGB5-9000 | 0   | DUCT ASSY AIR/C       | 空氣濾清連接導管  | 1       |           |
| *          |        | 81260-KGB5-9000 | 0   | BOX ASSY LUGGAGE      | 行李箱組      | 1       |           |
| **         |        | 81300-KGB5-900  | 0   | GRIP RR               | 後架        | 1       |           |
| **         |        | 83500-KGB5-900  | 0   | COVER R BODY          | 車體右邊蓋     | 1       |           |
| **         |        | 83600-KGB5-900  | 0   | COVER SET L BODY SIDE | 車體左邊蓋     | 1       |           |
| *          |        | 83750-KGB5-900  | 0   | COVER RR CENTER       | 後中心蓋      | 1       |           |
| *          |        | 90105-KGB5-9000 | 0   | BOLT SPECIAL 6*30     | 特殊螺絲 6X30 | 3       |           |
| *          |        | 90111-KW6-0010  | 0   | BOLT FLANGE 6MM       | 螺帽        | 2       |           |
| *          |        | 90215-GM0-9100  | 0   | NUT FLANGE 6MM        | 螺帽 6MM    | 2       |           |
| *          |        | 90302-GY6-9010  | 0   | BOLT-WASH 5*12        | 螺絲 5X12   | 2       |           |
| *          |        | 90302-SA4-0040  | 1   | NUT SPRING 4MM        | 夾螺帽 4MM   | 5       |           |
| *          |        | 90683-GR1-004   | 3   | CLIP BODY COVER       | 邊蓋夾       | 1       |           |
| *          |        | 93903-34380     | 0   | SCREW TAPPING 4*12    | 螺釘 4*12   | 5       |           |
| *          |        | 93903-GY6-9000  | 0   | SCREW TAPP 4*14       | 螺釘 4X14   | 2       |           |

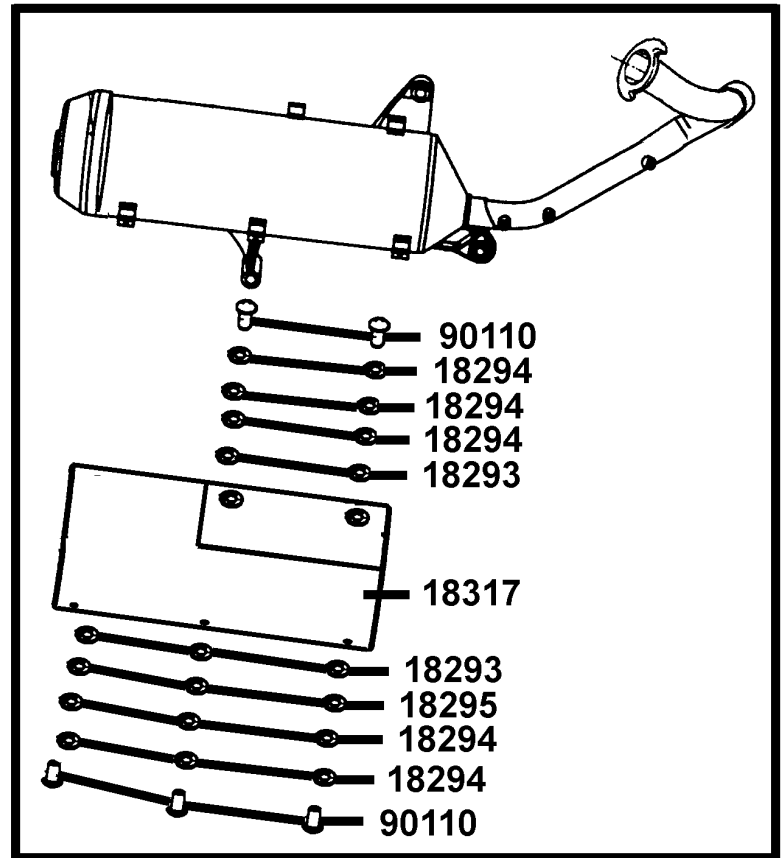
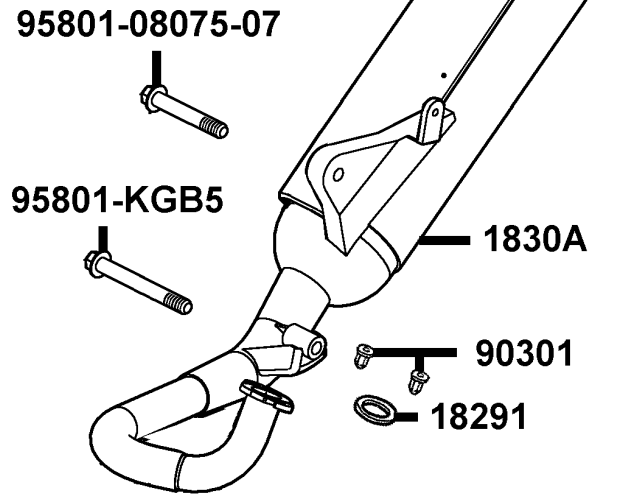
**F 14** Air Cleaner



| 販賣記號       | 項目     | 零件號碼            | 版數  | 英文名稱                          | 中文名稱      | 需要用量    | 參考價       |
|------------|--------|-----------------|-----|-------------------------------|-----------|---------|-----------|
| Sales mark | Ref no | Part no         | Ver | Description                   | Chinese   | Regd no | Ref Price |
| *          |        | 17205-KEB7-9000 | 0   | ELEMENT AIR/C                 | 空氣濾清器海綿   | 1       |           |
| *          |        | 17206-KEB7-9000 | 4   | CASE AIR/C                    | 空氣濾清器箱    | 1       |           |
| *          |        | 17207-KEB7-9000 | 0   | COVER A/C                     | 空氣濾清器箱蓋   | 1       |           |
| *          |        | 17208-KEB7-9000 | 0   | COLLAR AIR/C SET              | 套筒        | 2       |           |
| *          |        | 17212-KEB7-9000 | 0   | SEAL AIR/C COVER              | 空氣濾清箱蓋防塵封 | 1       |           |
| *          |        | 17213-KEB7-9000 | 0   | DUCT AIR/C INLET              | 進氣導管      | 1       |           |
| *          |        | 17216-KEB7-9000 | 0   | COVER JOINT                   | 進氣導管蓋     | 1       |           |
| *          |        | 17254-KCA-P000  | 0   | JOINT PURGE TUBE              | 管塞        | 1       |           |
| *          |        | 90652-GHB-6410  | 0   | BAND 42 AIR/C CONNECTING TUBE | 管束帶       | 1       |           |
| *          |        | 93903-25380     | 0   | SCREW TAPPING 5*16            | 螺絲釘5*16   | 7       |           |
| *          |        | 93903-34380     | 0   | SCREW TAPPING 4*12            | 螺釘 4*12   | 1       |           |
| *          |        | 93903-35080     | 0   | SCREW TAPPING 5*8             | 螺釘5*8     | 3       |           |
| *          |        | 95002-02110     | 0   | CLIP                          | 管夾        | 1       |           |
| *          |        | 95701-06040-08  | 0   | BOLT FLANGE 6X40              | 螺絲 6X40   | 2       |           |



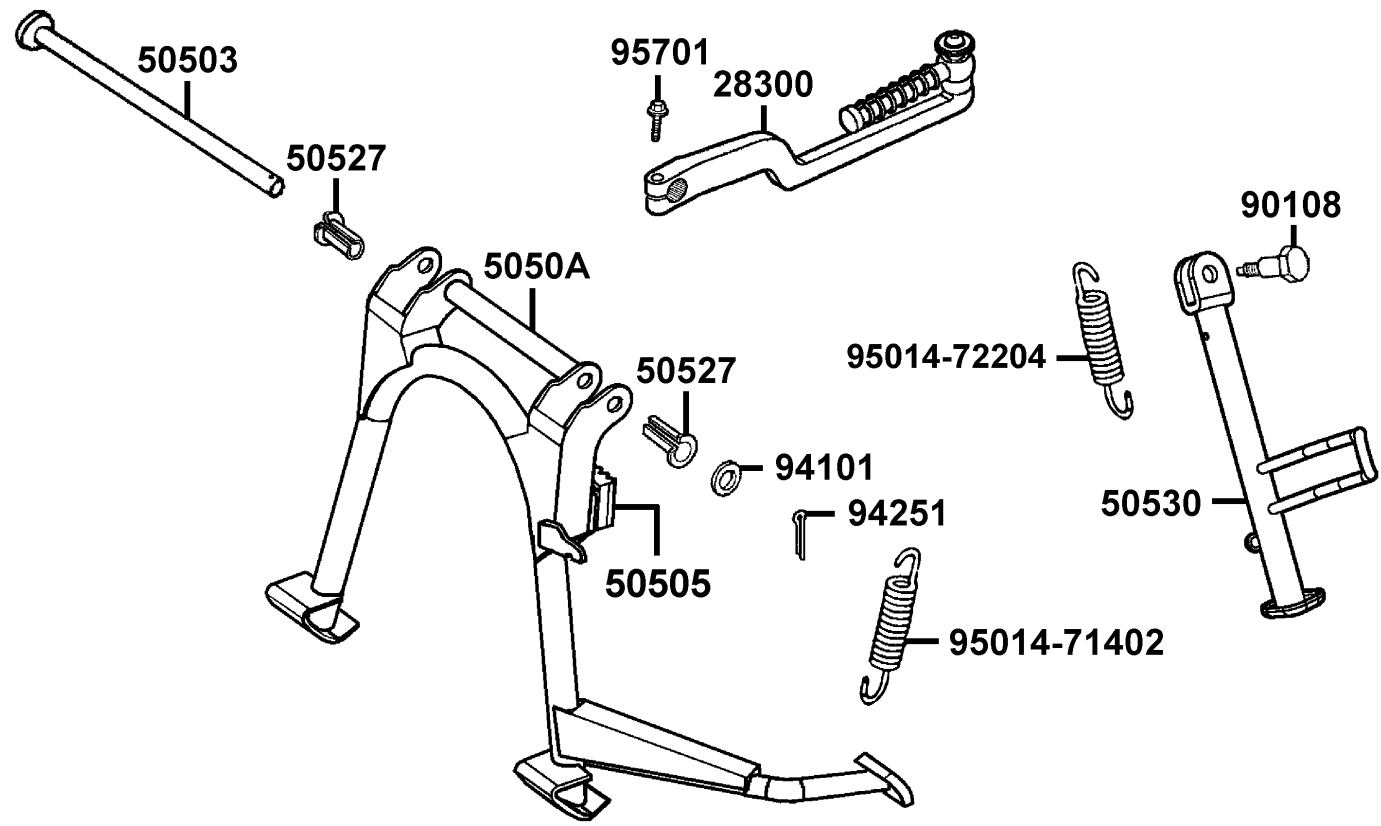
**F 15 Exhaust Muffler**



| 販賣記號       | 項目     | 零件號碼               | 版數  | 英文名稱                | 中文名稱      | 需要用量    | 參考價       |
|------------|--------|--------------------|-----|---------------------|-----------|---------|-----------|
| Sales mark | Ref no | Part no            | Ver | Description         | Chinese   | Regd no | Ref Price |
| *          |        | 18291-166-0040     | 0   | GASKET EXH PIPE     | 排氣管墊圈     | 1       |           |
| *          |        | 18293-KCE-9000     | 0   | RUBBER A PROTECTOR  | 排氣管護蓋橡皮A  | 5       |           |
| *          |        | 18294-KBE-9000     | 0   | PACKING PROTECTOR   | 防熱墊片      | 10      |           |
| *          |        | 18295-KCE-9000     | 0   | COLLAR 6MM          | 套筒 6MM    | 5       |           |
| *          |        | 1830A-KGB5-E010-CP | 1   | MUFFLER ASSY EXH    | 排氣管組      | 1       |           |
| *          |        | 18317-KHD8-E000    | 0   | PROTECTOR COMP MUFF | 排氣管內護板    | 1       |           |
| *          |        | 90110-KHD8-9000    | 0   | SCREW SPECIAL 6*20  | 特殊螺絲 6X12 | 5       |           |
| *          |        | 90301-KGBG-9000    | 0   | NUT (HEX) CAP 6MM   | 圓螺帽 6MM   | 2       |           |
| *          |        | 95801-08075-07     | 0   | BOLT FLANGE 8*75    | 螺絲 8X75   | 1       |           |
| *          |        | 95801-KGB5-E000-GR | 0   | BOLT TORX M8*60     | 螺絲 8X60   | 1       |           |

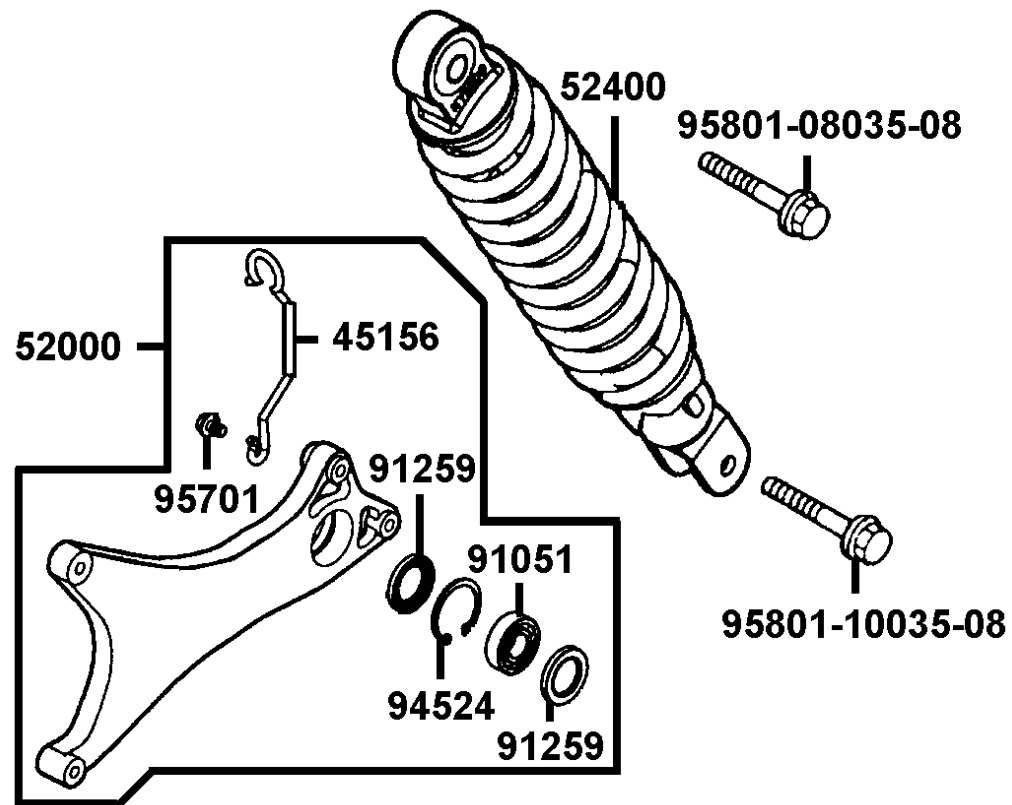
F 15

**F 16** Stand●Kick Starter Arm



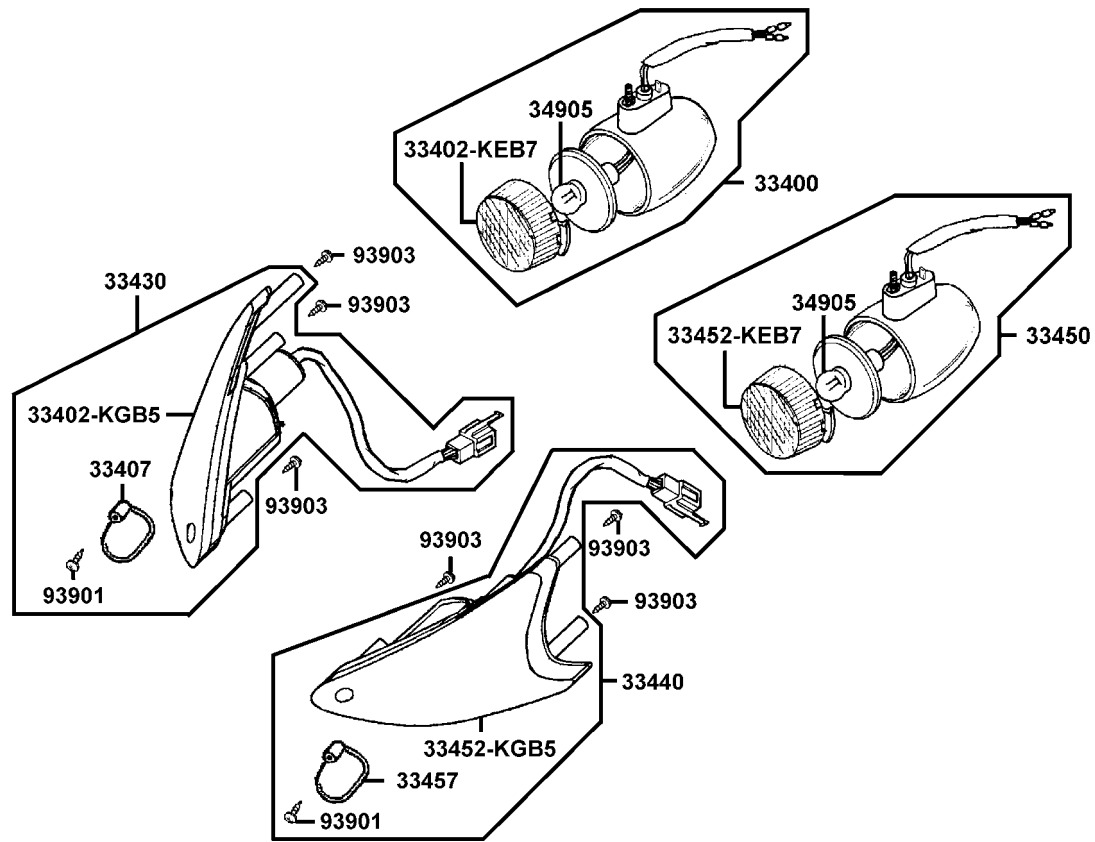
| 販賣記號       | 項目     | 零件號碼            | 版數  | 英文名稱                   | 中文名稱    | 需要用量    | 參考價       |
|------------|--------|-----------------|-----|------------------------|---------|---------|-----------|
| Sales mark | Ref no | Part no         | Ver | Description            | Chinese | Regd no | Ref Price |
| *          |        | 28300-KGB5-9000 | 0   | ARM ASSY KICK STARTER  | 起動踏桿組   | 1       |           |
| *          |        | 50503-KEB7-9000 | 1   | SHAFT MAIN STAND       | 主腳架軸    | 1       |           |
| *          |        | 50505-KBE-9000  | 0   | STOPPER RUBBER         | 主腳架橡皮   | 1       |           |
| *          |        | 5050A-KGB5-9000 | 0   | STAND ASSY MAIN        | 主腳架組    | 1       |           |
| *          |        | 50527-KED5-9000 | 0   | BUSH OILES             | 套筒      | 2       |           |
| *          |        | 50530-KEB7-9000 | 1   | BAR SIDE STAND         | 側腳架     | 1       |           |
| *          |        | 90108-GY6-9010  | 0   | SCREW SIDE STAND PIVOT | 側腳架螺絲   | 1       |           |
| *          |        | 94101-08700     | 0   | WASHER PLAIN 8MM       | 華司      | 1       |           |
| *          |        | 94251-08400     | 0   | PIN LOCK 8MM           | 固定銷 8MM | 1       |           |
| *          |        | 95014-71402     | 0   | SPG D MAIN STAND       | 主腳架彈簧   | 1       |           |
| *          |        | 95014-72204     | 0   | SPG B1 SIDE STAND      | 側腳架彈簧   | 1       |           |
| *          |        | 95701-06022-07  | 0   | BOLT FLANGE 6*22       | 螺絲 6X22 | 1       |           |

**F 17** Rear Cushion



| 販賣記號       | 項目     | 零件號碼            | 版數  | 英文名稱                     | 中文名稱     | 需要用量    | 參考價       |
|------------|--------|-----------------|-----|--------------------------|----------|---------|-----------|
| Sales mark | Ref no | Part no         | Ver | Description              | Chinese  | Regd no | Ref Price |
| *          |        | 45156-KGB5-9000 | 0   | CLAMPER BRK HOSE         | 後煞車油管夾   | 1       |           |
| *          |        | 52000-KGB5-9000 | 0   | RR FORK ASSY             | 後叉組      | 1       |           |
| *          |        | 52400-KBG5-900  | 1   | CUSHION ASSY RR          | 後緩衝器組    | 1       |           |
| *          |        | 91051-KBF-901   | 0   | BRG BALL RADIAL 6203 LLU | 軸承6203   | 1       |           |
| *          |        | 91259-KBF-9000  | 0   | SEAL OIL                 | 油封       | 2       |           |
| *          |        | 94524-42000     | 0   | CIR CLIP IN 42           | 環夾       | 1       |           |
| *          |        | 95701-06010-08  | 0   | BOLT FLANGE 6*10         | 螺絲 6X10  | 1       |           |
| *          |        | 95801-08035-08  | 0   | BOLT FLANGE 8*35         | 螺絲 8X35  | 1       |           |
| *          |        | 95801-10035-08  | 0   | BOLT FLANGE 10*35        | 螺絲 10X35 | 1       |           |

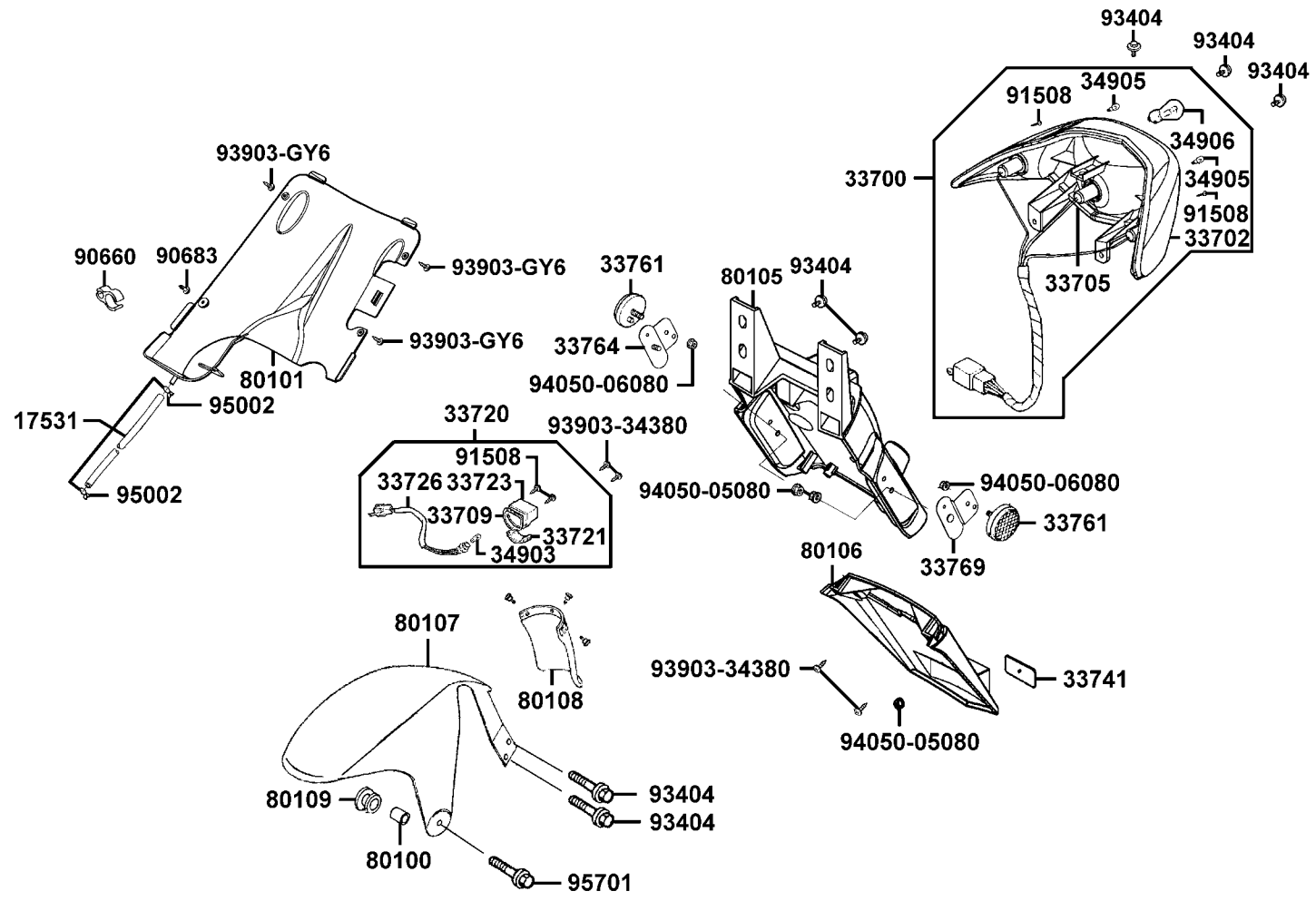
**F 18** Front Winker



| 販賣記號<br>Sales mark | 項目<br>Ref no | 零件號碼<br>Part no    | 版數<br>Ver | 英文名稱<br>Description    | 中文名稱<br>Chinese | 需要用量<br>Regd no | 參考價<br>Ref Price |
|--------------------|--------------|--------------------|-----------|------------------------|-----------------|-----------------|------------------|
| *                  |              | 33400-KEB7-M000-US | 0         | WINKER ASSY R FR       | 右前方向燈組          | 1               |                  |
| *                  |              | 33402-KEB7-9000    | 0         | LENS R FR WINKER       | 右前方向燈殼          | 1               |                  |
| *                  |              | 33402-KGB5-9000    | 0         | LENS FR WINKER R       | 右前方向燈殼          | 1               |                  |
| *                  |              | 33407-KGB5-9000    | 0         | LENS R FR WINKER INNER | 右前方向內燈殼         | 1               |                  |
| *                  |              | 33430-KGB5-M30     | 0         | WINKER ASSY R FR       | 右前方向燈組          | 1               |                  |
| *                  |              | 33440-KGB5-M30     | 0         | WINKER ASSY L FR       | 左前方向燈組          | 1               |                  |
| *                  |              | 33450-KEB7-M000-US | 0         | WINKER ASSY L FR       | 左前方向燈組          | 1               |                  |
| *                  |              | 33452-KEB7-9000    | 0         | LENS L FR WINKER       | 左前方向燈殼          | 1               |                  |
| *                  |              | 33452-KGB5-9000    | 0         | LENS FR WINKER L       | 左前方向燈殼          | 1               |                  |
| *                  |              | 33457-KGB5-9000    |           | LENS L FR WINKER INNER | 左前方向內燈殼         | 1               |                  |
| *                  |              | 34905-KCP-9000     | 0         | BULB WINKER            | 方向燈泡            | 2               |                  |
| *                  |              | 93901-32310        | 0         | SCREW TAPPING 3*12     | 螺釘 3X12         | 2               |                  |
| *                  |              | 93903-34380        | 0         | SCREW TAPPING 4*12     | 螺釘 4X12         | 6               |                  |



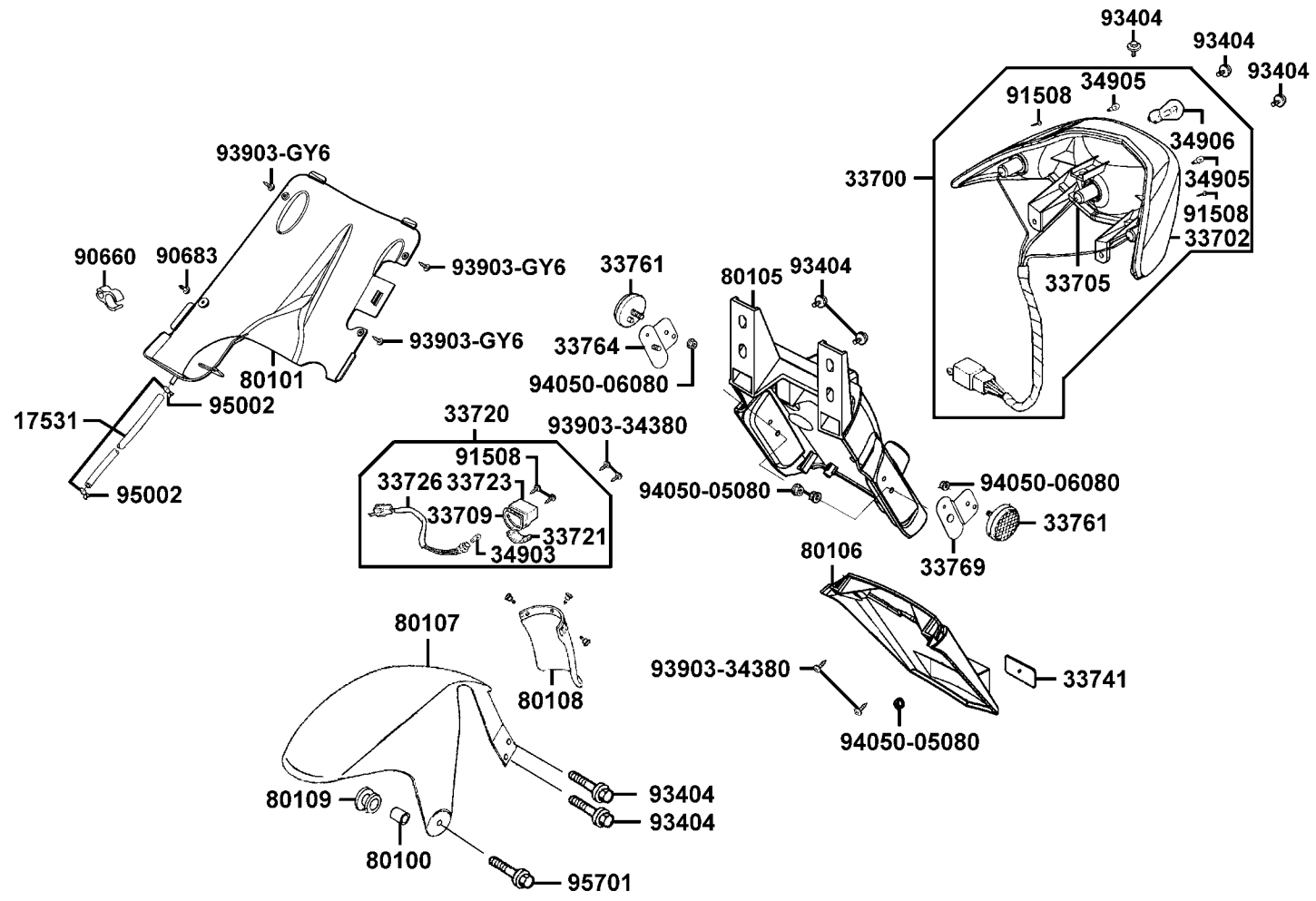
**F 19 Tail Light**



| 販賣記號       | 項目     | 零件號碼               | 版數  | 英文名稱                    | 中文名稱    | 需要用量    | 參考價       |
|------------|--------|--------------------|-----|-------------------------|---------|---------|-----------|
| Sales mark | Ref no | Part no            | Ver | Description             | Chinese | Regd no | Ref Price |
| *          |        | 17532-KGB5-9000    | 1   | TUBE ASSY DRAIN         | 油管      | 1       |           |
| *          |        | 33700-KGB5-E000-SW | 0   | LIGHT ASSY RR COMB      | 後燈組     | 1       |           |
| *          |        | 33702-KGB5-9000    | 0   | LENS TAIL LIGHT         | 後燈殼     | 1       |           |
| *          |        | 33705-KGB5-E000-SW | 0   | BASE COMP RR COMB       | 後燈座     | 1       |           |
| *          |        | 33709-KAB-0030     | 0   | PACKING LICENSE         | 牌照燈墊圈   | 1       |           |
| *          |        | 33720-KHB5-M30     | 1   | LIGHT ASSY LICENCE      | 牌照燈組    | 1       |           |
| *          |        | 33721-KHB5-M000-US | 0   | LENS LICENSE            | 牌照燈殼    | 1       |           |
| *          |        | 33723-KHB5-M000-US | 0   | COVER LICENSE           | 牌照燈蓋    | 1       |           |
| *          |        | 33726-KHB5-M000-US | 0   | SOCKET COMP             | 牌照燈配線   | 1       |           |
| *          |        | 33741-KBE-9000     | 0   | REFLEX REFLECTOR        | 反光片     | 1       |           |
| *          |        | 33761-KHC5-M00     | 0   | REFLEX REFLECTOR (RED)  | 反光鏡     | 2       |           |
| *          |        | 33764-KGB5-M30     | 0   | R STAY REFLEX REFLECTOR | 右反光鏡支架  | 1       |           |
| *          |        | 33769-KGB5-M30     | 0   | STAY REFLEX REFLECTOR   | 左反光鏡    | 1       |           |
| *          |        | 34903-KCP-9000     | 0   | BULB POSITION LIGHT     | 位置燈燈泡   | 1       |           |
| *          |        | 34905-KCP-9000     | 0   | BULB WINKER             | 方向燈泡    | 2       |           |
| *          |        | 34906-KCP-9000     | 0   | BULB TAIL LIGHT         | 後燈泡     | 1       |           |
| *          |        | 80100-KEB7-9000    | 0   | COLLAR RUBBER           | 套筒      | 1       |           |
| **         |        | 80101-KGB5-900     | 3   | COVER UNDER BODY        | 下擋泥板    | 1       |           |
| *          |        | 80105-KGB5-E000-SW | 0   | FENDER RR A             | 後土除A    | 1       |           |
| *          |        | 80106-KGB5-9000    | 0   | FENDER B RR             | 後土除B    | 1       |           |

F 19

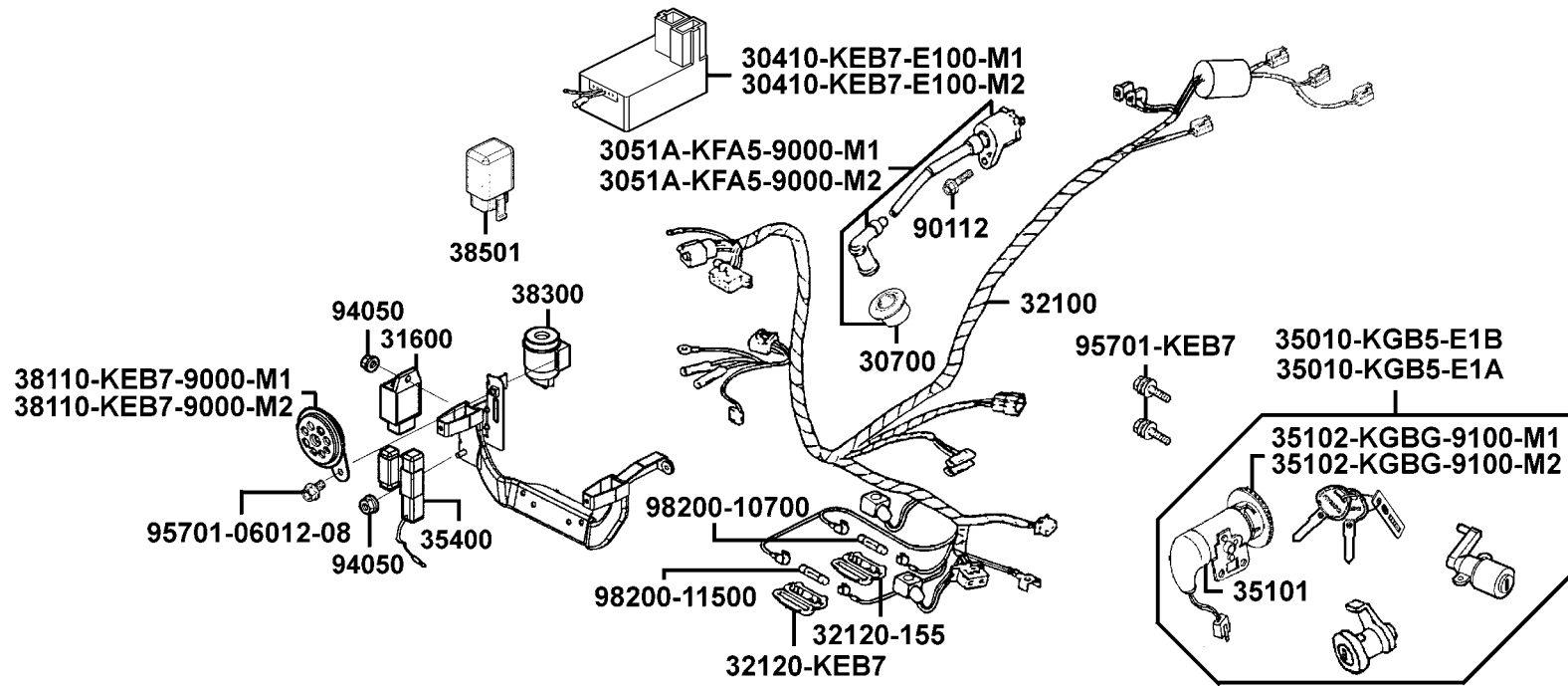
**F 19 Tail Light**



| 販賣記號<br>Sales mark | 項目<br>Ref no | 零件號碼<br>Part no   | 版數<br>Ver | 英文名稱<br>Description | 中文名稱<br>Chinese | 需要用量<br>Regd no | 參考價<br>Ref Price |
|--------------------|--------------|-------------------|-----------|---------------------|-----------------|-----------------|------------------|
| **                 |              | 80107-KEB7-900    | 1         | FENDER B REAR       | 後土除B            | 1               |                  |
| *                  |              | 80108-KEB7-9000   | 0         | PLATE SPLASH GUARD  | 防濺板             | 1               |                  |
| *                  |              | 80109-KEB7-9000   | 0         | RUBBER RR FENDER B  | 後土除B橡皮          | 1               |                  |
| *                  |              | 90660-KBG-9000    | 0         | CLAMPER TUBE        | 油管夾             | 1               |                  |
| *                  |              | 90683-GR1-004     | 3         | CLIP BODY COVER     | 邊蓋夾             | 1               |                  |
| *                  |              | 91508-KV7-6710-M1 | 0         | SCREW TAPPING 4X14  | 螺釘 4X14         | 4               |                  |
| *                  |              | 93404-06016-07    | 0         | BOLT WASHER 6*16    | 螺絲 6X16         | 7               |                  |
| *                  |              | 93903-34380       | 0         | SCREW TAPPING 4*12  | 螺釘 4*12         | 4               |                  |
| *                  |              | 93903-GY6-9000    | 0         | SCREW TAPPING 4*14  | 螺釘 4*14         | 3               |                  |
| *                  |              | 94050-05080       | 0         | NUT FLANGE 5MM      | 螺絲 5MM          | 3               |                  |
| *                  |              | 94050-06080       | 0         | NUT FLANGE 6MM      | 螺帽 6MM          | 2               |                  |
| *                  |              | 95002-02080       | 0         | CLIP B8 TUBE        | 管夾              | 2               |                  |
| *                  |              | 95701-06020-07    | 0         | BOLT WASHER 6*20    | 螺絲 6*20         | 1               |                  |

F 19

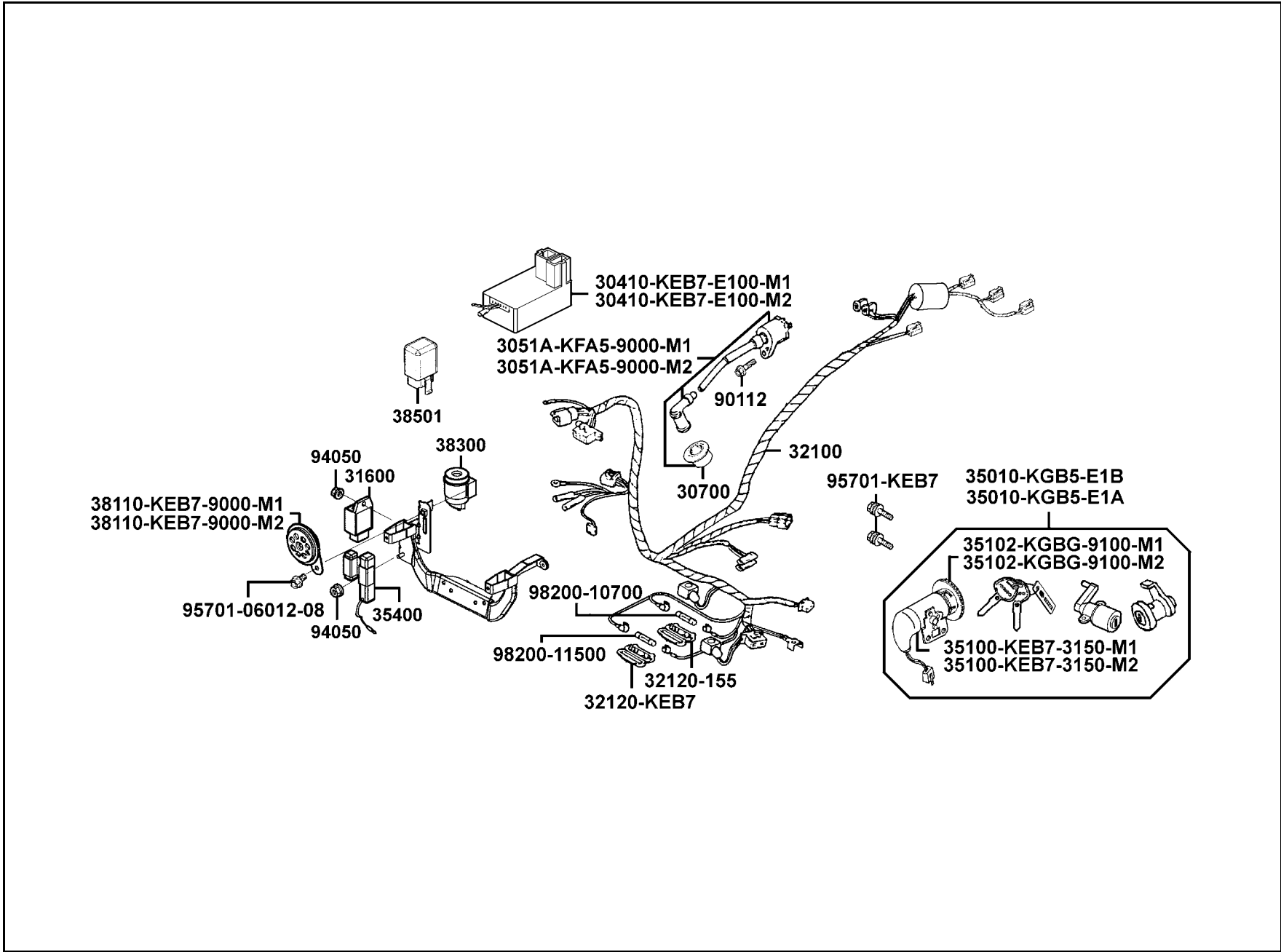
**F 20 Wire Harness**



| 販賣記號       | 項目     | 零件號碼               | 版數  | 英文名稱                     | 中文名稱    | 需要用量    | 參考價       |
|------------|--------|--------------------|-----|--------------------------|---------|---------|-----------|
| Sales mark | Ref no | Part no            | Ver | Description              | Chinese | Regd no | Ref Price |
| *          |        | 30410-KEB7-E100-M1 | 0   | UNIT COMP CDI            | C.D.I.組 | 1       |           |
| *          |        | 30410-KEB7-E100-M2 | 0   | UNIT COMP CDI            | C.D.I.組 | 1       |           |
| *          |        | 3051A-KFA5-9000-M1 | 2   | IGN COIL & PLUG CAP ASSY | 點火線圈    | 1       |           |
| *          |        | 3051A-KFA5-9000-M2 | 3   | IGN COIL & PLUG CAP ASSY | 點火線圈    | 1       |           |
| *          |        | 30700-KFA5-9000    | 2   | CAP ASSY NOISE SUPPR     | 火星塞蓋    | 1       |           |
| *          |        | 31600-KDU-9000     | 0   | REG REC COMP             | 整流器     | 1       |           |
| *          |        | 32100-KGB5-M30     | 1   | HARNES WIRE              | 主配線     | 1       |           |
| *          |        | 32120-155-0010     | 0   | CASE 7A FUSE             | 保險絲盒    | 1       |           |
| *          |        | 32120-KEB7-9000    | 0   | CASE 15A FUSE            | 保險絲盒    | 1       |           |
| *          |        | 35010-KGB5-E1A     | 1   | KEY SET                  | 開關組     | 1       |           |
| *          |        | 35010-KGB5-E1B     | 1   | KEY SET                  | 開關組     | 1       |           |
| *          |        | 35100-KEB7-3150-M1 | 0   | SW SET COMB & LOCK       | 主開關     | 1       |           |
| *          |        | 35100-KEB7-3150-M2 | 0   | SW SET COMB & LOCK       | 主開關     | 1       |           |
| *          |        | 35102-KGBG-9100-M1 | 0   | COLLAR MAIN SW           | 主開關套筒   | 1       |           |
| *          |        | 35102-KGBG-9100-M2 | 0   | COLLAR MAIN SW           | 主開關套筒   | 1       |           |
| *          |        | 35400-KEB8-B000-SG | 0   | RESISTOR COMP            | 電阻器     | 1       |           |
| *          |        | 38110-KEB7-9000-M1 | 2   | HORN COMP                | 喇叭      | 1       |           |
| *          |        | 38110-KEB7-9000-M2 | 1   | HORN COMP                | 喇叭      | 1       |           |
| *          |        | 38300-KEB7-9000    | 1   | RELAY ASSY WINKER        | 閃光器     | 1       |           |
| *          |        | 38501-GW2-9000     | 0   | RELAY COMP START         | 起動繼電器   | 1       |           |

F 20

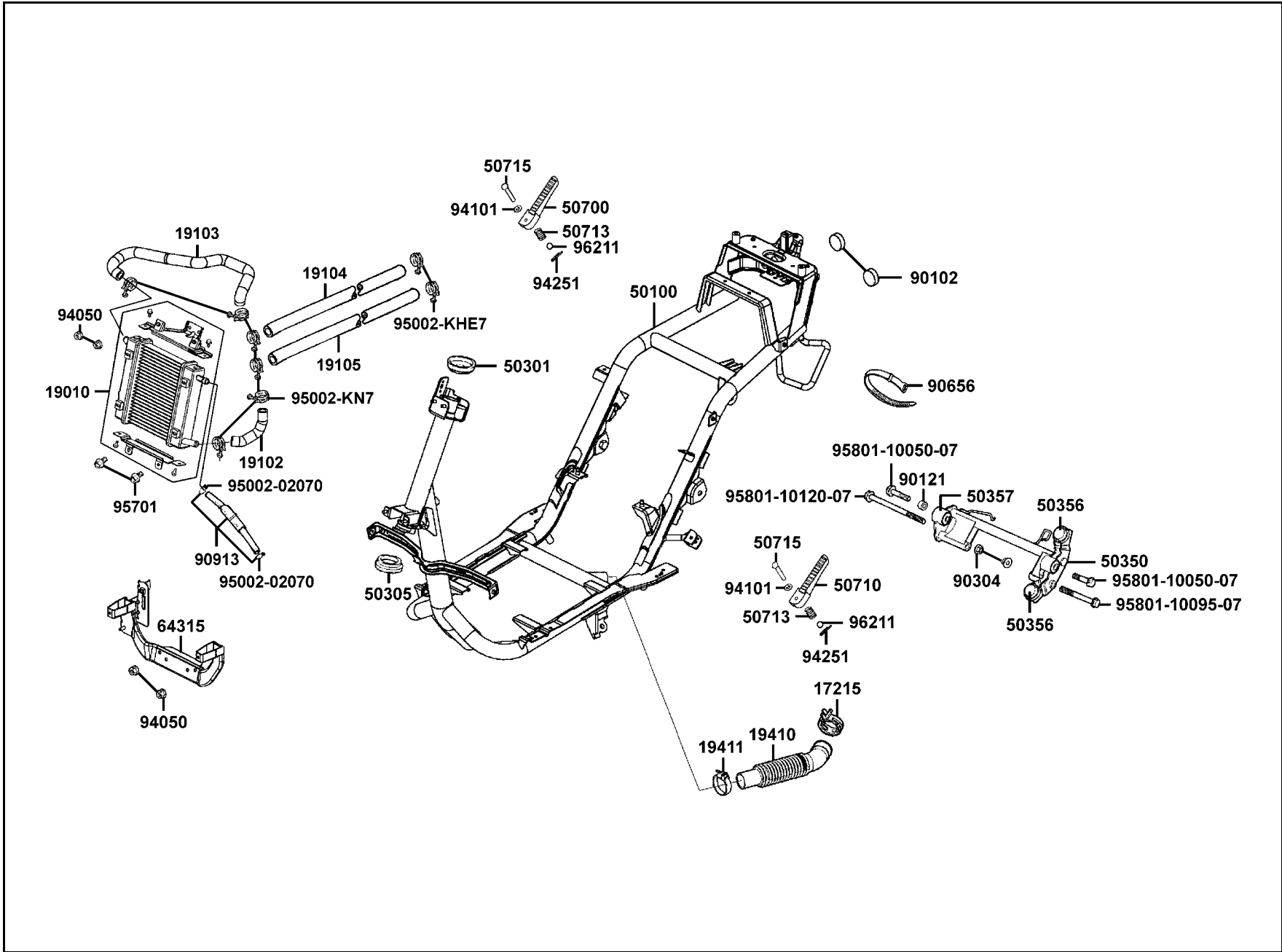
**F 20 Wire Harness**



| 販賣記號<br>Sales mark | 項目<br>Ref no | 零件號碼<br>Part no | 版數<br>Ver | 英 文 名 稱<br>Description | 中 文 名 稱<br>Chinese | 需要用量<br>Regd no | 參考價<br>Ref Price |
|--------------------|--------------|-----------------|-----------|------------------------|--------------------|-----------------|------------------|
| *                  |              | 90112-KDR-9000  | 0         | BOLT FLANGE 5*22       | 螺絲 5X22            | 1               |                  |
| *                  |              | 94050-06080     | 0         | NUT FLANGE 6MM         | 螺帽 6MM             | 2               |                  |
| *                  |              | 95701-06012-08  | 0         | BOLT FLANGE 6*12       | 螺絲 6X12            | 1               |                  |
| *                  |              | 95701-KEB7-E000 | 1         | BOLT TORQUE 6*16       | 螺絲 6X16            | 2               |                  |
| *                  |              | 98200-10700     | 0         | FUSE A7                | 保險絲A7              | 1               |                  |
| *                  |              | 98200-11500     | 0         | FUSE A15               | 保險絲A15             | 1               |                  |



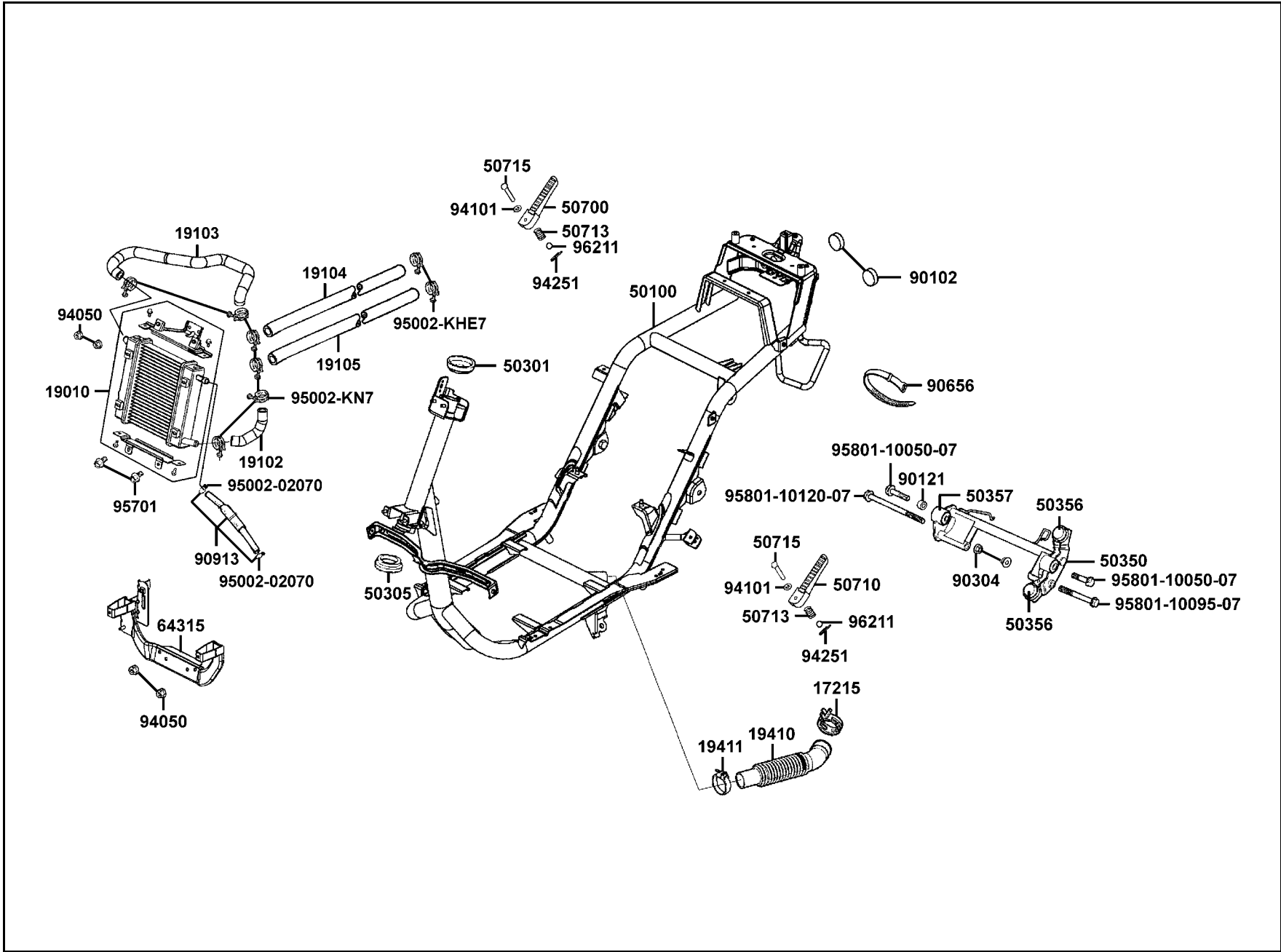
**F 21** Frame Body



| 販賣記號<br>Sales mark | 項目<br>Ref no | 零件號碼<br>Part no | 版數<br>Ver | 英文名稱<br>Description    | 中文名稱<br>Chinese | 需要用量<br>Regd no | 參考價<br>Ref Price |
|--------------------|--------------|-----------------|-----------|------------------------|-----------------|-----------------|------------------|
| *                  |              | 17215-KBN-2000  | 0         | CLIP ASSY AIR/C DUCT   | 固定管夾            | 1               |                  |
| *                  |              | 19010-KGB5-9000 | 0         | RADIATOR COMP          | 水箱              | 1               |                  |
| *                  |              | 19102-KGB5-9000 | 1         | HOSE A WATER           | 水管A             | 1               |                  |
| *                  |              | 19103-KGB5-9000 | 1         | HOSE B WATER           | 水管B             | 1               |                  |
| *                  |              | 19104-KGB5-9000 | 1         | HOSE C WATER           | 水管C             | 1               |                  |
| *                  |              | 19105-KGB5-9000 | 2         | HOSE WATER D           | 水管 D            | 1               |                  |
| *                  |              | 19410-KEB7-9000 | 2         | DUCT COLLING           | 冷卻導管            | 1               |                  |
| *                  |              | 19411-KBN-9000  | 1         | CLIP HOSE              | 管夾              | 1               |                  |
| *                  |              | 50100-KGB5-M00  | 0         | BODY COMP FRAME        | 車體              | 1               |                  |
| *                  |              | 50301-GM0-0010  | 0         | RACE UP STRG BALL      | 上珠碗             | 1               |                  |
| *                  |              | 50305-GC8-0040  | 0         | RACE (UNDER STR ) BALL | 下珠碗             | 1               |                  |
| *                  |              | 50350-KGB5-9000 | 0         | HANGER ASSY ENG        | 引擎吊架            | 1               |                  |
| *                  |              | 50356-KBN-2000  | 0         | RUBBER C STOPPER       | 橡皮C             | 2               |                  |
| *                  |              | 50357-KEB7-9000 | 0         | RUBBER BUSH ENG        | 橡皮              | 2               |                  |
| *                  |              | 50700-KGB5-9000 | 0         | BAR R RR STEP          | 後踏板             | 1               |                  |
| *                  |              | 50710-KGB5-9000 | 0         | BAR L RR STEP          | 左後踏板            | 1               |                  |
| *                  |              | 50713-KEB7-9000 | 0         | SPRING                 | 彈簧              | 2               |                  |
| *                  |              | 50715-KEB7-9000 | 0         | PIN RR STEP            | 後踏桿銷            | 2               |                  |
| *                  |              | 64315-KGB5-9000 | 0         | STAY FR MOLDING        | 前護條支架           | 1               |                  |
| *                  |              | 90102-KBN-9000  | 0         | PLUG HOSE              | 管塞              | 2               |                  |

F 21

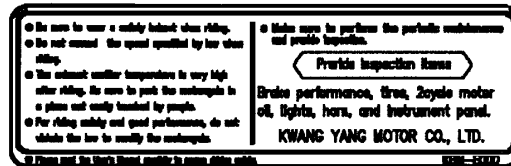
# F 21 Frame Body



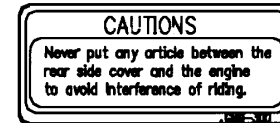
| 販賣記號       | 項目     | 零件號碼            | 版數  | 英文名稱               | 中文名稱       | 需要用量    | 參考價       |
|------------|--------|-----------------|-----|--------------------|------------|---------|-----------|
| Sales mark | Ref no | Part no         | Ver | Description        | Chinese    | Regd no | Ref Price |
| *          |        | 90121-GY6-9010  | 0   | COLLAR DISTANCE    | 套筒         | 1       |           |
| *          |        | 90304-GE8-0040  | 0   | NUT U 10MM         | 螺帽 10MM    | 2       |           |
| *          |        | 90656-KDU-9000  | 0   | BAND HARNESS WIRE  | 束帶         | 1       |           |
| *          |        | 90913-KN7-6710  | 1   | TUBE COMP RADIATOR | 減壓管        | 1       |           |
| *          |        | 94050-06080     | 0   | NUT FLANGE 6MM     | 螺帽 6MM     | 4       |           |
| *          |        | 94101-06800     | 0   | WASHER PLAIN 6MM   | 華司 6MM     | 2       |           |
| *          |        | 94251-08400     | 0   | PIN LOCK 8MM       | 銷 8MM      | 2       |           |
| *          |        | 95002-02070     | 0   | CLIP B7 TUBE       | 管夾         | 2       |           |
| *          |        | 95002-KHE7-9000 | 0   | CLAMP A WATER HOSE | 水管夾        | 2       |           |
| *          |        | 95002-KN7-9100  | 1   | CLIP TUBE          | 水管夾        | 6       |           |
| *          |        | 95701-06012-08  | 0   | BOLT FLANGE 6*12   | 螺絲 6X12    | 2       |           |
| *          |        | 95801-10050-07  | 0   | BOLT FLANGE 10X50  | 特殊螺絲 10X50 | 2       |           |
| *          |        | 95801-10095-07  | 0   | BOLT FLANGE 10X95  | 螺絲 10X95   | 1       |           |
| *          |        | 95801-10120-07  | 0   | BOLT FLANGE 10X120 | 螺絲 10X120  | 1       |           |
| *          |        | 96211-08000     | 0   | BALL STEEL 8       | 鋼珠         | 2       |           |

F 21

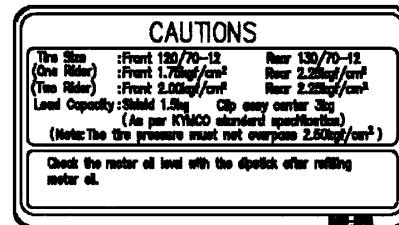
**.F 22 Caution Label**



**87560**



**87542**



**87505**



**87501**

| 販賣記號       | 項目     | 零件號碼           | 版數  | 英文名稱                 | 中文名稱    | 需要用量    | 參考價       |
|------------|--------|----------------|-----|----------------------|---------|---------|-----------|
| Sales mark | Ref no | Part no        | Ver | Description          | Chinese | Regd no | Ref Price |
| *          |        | 87501-KDR-E00  | 0   | CAUTION USE GAS ONLY | 貼紙      | 1       |           |
| *          |        | 87505-KHD8-E00 | 0   | LABLE TIRE           | 貼紙      | 1       |           |
| *          |        | 87542-GR1-E00  | 1   | MARK MAINT CAUTION   | 貼紙      | 1       |           |
| *          |        | 87560-KBN-E00  | 1   | MARK DRIVE CAUTION   | 貼紙      | 1       |           |

F 22



86201



86102



86341



86351



86342



86352

| 販賣記號       | 項目     | 零件號碼           | 版數  | 英文名稱              | 中文名稱    | 需要用量    | 參考價       |
|------------|--------|----------------|-----|-------------------|---------|---------|-----------|
| Sales mark | Ref no | Part no        | Ver | Description       | Chinese | Regd no | Ref Price |
| *          |        | 86102-KFA6-E00 | 0   | EMB K-LOGO 30MM   | 標誌      | 1       |           |
| **         |        | 86201-KGB5-E00 | 2   | STRIPE BODY COVER | 車體邊蓋標誌  | 2       |           |
| *          |        | 86341-KGB5-E00 | 0   | STRIPE R SKIRT    | 右邊條貼紙   | 1       |           |
| *          |        | 86342-KGB5-E00 | 0   | EMB R SKIRT       | 標誌      | 1       |           |
| *          |        | 86351-KGB5-E00 | 0   | STRIPE L SKIRT    | 左邊條貼紙   | 1       |           |
| *          |        | 86352-KGB5-E00 | 0   | EMB R SKIRT       | 標誌      | 1       |           |



零 件 號 碼 索 引

PART NO. INDEX

| 零 件 號 碼<br>PART NO. | 版 數<br>VERSION | 頁 次<br>PAGE | 零 件 號 碼<br>PART NO. | 版 數<br>VERSION | 頁 次<br>PAGE | 零 件 號 碼<br>PART NO. | 版 數<br>VERSION | 頁 次<br>PAGE |
|---------------------|----------------|-------------|---------------------|----------------|-------------|---------------------|----------------|-------------|
| 10000               |                |             | 12201-KGB5-E000     | 0              | P-19        | 16950-KHB4-9000     | 3              | P-75        |
|                     |                |             | 12251-KFA5-9000     | 1              | P-19        | 16951-KHB4-9000     | 0              | P-75        |
| 1001-GC8H-0351      | 0              | P-41        |                     |                |             |                     |                |             |
| 1010-GBLH-0000      | 0              | P-41        | 13000               |                |             | 17000               |                |             |
| 1011-GBLH-0000      | 0              | P-41        |                     |                |             |                     |                |             |
| 1019-KANH-7700      | 0              | P-41        | 13000-GAK-9210      | 5              | P-39        | 1703-GJ2H-0040      | 0              | P-41        |
| 1029-841-7000       | 0              | P-41        | 1300-GBLH-0000      | 0              | P-41        | 17100-KEB7-9010     | 0              | P-35        |
| 105B-073H-9931      | 0              | P-41        | 13011-GW0-9020      | 0              | P-39        | 17111-KEB7-9000     | 0              | P-35        |
|                     |                |             | 13101-KFA5-9000     | 0              | P-39        | 17112-KEB7-9000     | 0              | P-35        |
| 11000               |                |             | 13111-166-0010      | 1              | P-39        | 17205-KEB7-9000     | 0              | P-85        |
|                     |                |             | 13115-156-0010      | 0              | P-39        | 17206-KEB7-9000     | 4              | P-85        |
| 11100-KGB5-3050     | 0              | P-35        |                     |                |             | 17207-KEB7-9000     | 0              | P-85        |
| 11102-187-0030      | 3              | P-35        | 14000               |                |             | 17208-KEB7-9000     | 0              | P-85        |
| 11108-KEB7-9000     | 0              | P-21        |                     |                |             | 17212-KEB7-9000     | 0              | P-85        |
| 11200-KEB7-3250     | 2              | P-35        | 14100-KEB7-9000     | 0              | P-35        | 17213-KEB7-9000     | 0              | P-85        |
| 11203-GC7-3010      | 2              | P-35        |                     |                |             | 17215-KBN-2000      | 0              | P-103       |
| 11204-KEB7-9000-H1  | 0              | P-35        | 15000               |                |             | 17215-KBG-9000      | 0              | P-83        |
| 11205-GAH-0040-H1   | 0              | P-25        |                     |                |             | 17216-KEB7-9000     | 0              | P-85        |
| 11205-GAH-0040-H1   | 0              | P-35        | 15100-KEB7-E000     | 0              | P-35        | 1721A-KGB5-9000     | 0              | P-83        |
| 11205-KED5-9000-H1  | 0              | P-35        | 15110-KEB7-9000     | 0              | P-35        | 17254-KCA-P000      | 0              | P-85        |
| 11206-KEB7-9000     | 0              | P-35        | 1552A-KEB8-9000     | 0              | P-35        | 17369-KHC4-9000     | 0              | P-75        |
| 11208-GAK-9010      | 0              | P-35        | 15761-KFA5-E000     | 0              | P-41        | 17500-KGB5-9000     | 4              | P-75        |
| 11330-KFA5-9000     | 6              | P-15        | 15762-KFA5-E000     | 0              | P-41        | 17502-187-0000      | 0              | P-81        |
| 11332-KFA5-9000     | 0              | P-15        | 15772-551-0000      | 1              | P-81        | 17502-KGB5-9000     | 0              | P-75        |
| 11341-KEB7-900      | 2              | P-25        |                     |                |             | 17530-KGB5-9000     | 1              | P-75        |
| 11394-KHE6-E000     | 0              | P-15        | 16000               |                |             | 17532-KGB5-9000     | 1              | P-95        |
| 11395-KEB7-9000     | 0              | P-25        |                     |                |             | 17550-KGB5-9000     | 0              | P-75        |
| 12000               |                |             | 1610K-KGB5-M30      | 0              | P-41        | 1762A-KFA6-9000     | 3              | P-75        |
|                     |                |             | 16152-KG8-9010-M1   | 0              | P-41        | 17685-KCZ-9000      | 0              | P-75        |
| 12101-KGB5-9000     | 1              | P-19        | 1621A-GAK-9010      | 0              | P-35        | 1787-KG8H-9010      | 0              | P-41        |
| 12191-KEB7-9000     | 0              | P-19        | 1691A-GY6-9010-M1   | 0              | P-75        | 17910-KGB5-M00      | 2              | P-51        |
|                     |                |             |                     |                |             | 1793-144H-9900      | 0              | P-41        |
|                     |                |             |                     |                |             | 1799-KBNH-9000      | 0              | P-41        |

零 件 號 碼 索 引

PART NO. INDEX

| 零 件 號 碼<br>PART NO. | 版 數<br>VERSION | 頁 次<br>PAGE | 零 件 號 碼<br>PART NO. | 版 數<br>VERSION | 頁 次<br>PAGE | 零 件 號 碼<br>PART NO. | 版 數<br>VERSION | 頁 次<br>PAGE |
|---------------------|----------------|-------------|---------------------|----------------|-------------|---------------------|----------------|-------------|
| 18000               |                |             | 21000               |                |             | 23431-KGB5-9000     | 0              | P-33        |
| 18291-166-0040      | 0              | P-87        | 21201-KGB5-3050     | 0              | P-33        | 23432-KGB5-9000     | 0              | P-33        |
| 18293-KCE-9000      | 0              | P-87        | 21395-KBN-9010      | 1              | P-33        | 28000               |                |             |
| 18294-KBE-9000      | 0              | P-87        |                     |                |             | 28211-KEB7-9000     | 0              | P-27        |
| 18295-KCE-9000      | 0              | P-87        | 22000               |                |             | 28223-KBN-9010      | 0              | P-27        |
| 1830A-KGB5-E010-CP  | 1              | P-87        | 22100-GR1-7510      | 0              | P-29        | 28230-GAK-9210      | 0              | P-27        |
| 18317-KHD8-E000     | 0              | P-87        | 22102-KEB7-9000     | 0              | P-27        | 28250-KBN-9010      | 0              | P-27        |
| 19000               |                |             | 22103-KEB7-9000     | 0              | P-27        | 28253-GN2-6020-M1   | 0              | P-27        |
| 19010-KGB5-9000     | 0              | P-103       | 22105-KFA5-9000     | 0              | P-27        | 28255-GS6-0010      | 0              | P-27        |
| 19101-KGB5-9000     | 0              | P-81        | 22110-KFA1-2200     | 0              | P-27        | 28281-GN2-6030-M1   | 1              | P-27        |
| 19102-KGB5-9000     | 1              | P-103       | 22121-GW0-9010      | 2              | P-27        | 28300-KGB5-9000     | 0              | P-89        |
| 19103-KGB5-9000     | 1              | P-103       | 22131-GAH-7810      | 0              | P-27        | 30000               |                |             |
| 19104-KGB5-9000     | 1              | P-103       | 22132-GW0-0010      | 2              | P-27        | 30410-KEB7-E100-M1  | 0              | P-99        |
| 19105-KGB5-9000     | 2              | P-103       | 22300-KCX-9000      | 0              | P-29        | 30410-KEB7-E100-M2  | 0              | P-99        |
| 1920A-KHD8-9000     | 0              | P-81        | 22350-GAK-9300      | 1              | P-29        | 3051A-KFA5-9000-M1  | 2              | P-99        |
| 19215-KFA5-9000     | 0              | P-15        | 22401-GG2-9000      | 0              | P-29        | 3051A-KFA5-9000-M2  | 3              | P-99        |
| 19217-657-0240      | 0              | P-15        | 22530-GAK-9300      | 1              | P-29        | 30700-KFA5-9000     | 2              | P-99        |
| 19221-KFA5-9000     | 0              | P-15        | 22804-148-0010      | 0              | P-29        | 31000               |                |             |
| 19229-KFA5-9000     | 0              | P-15        | 23000               |                |             | 31009-330-71        | 0              | P-63        |
| 19231-KFA5-9000     | 3              | P-15        | 2301A-KEB7-2200     | 0              | P-29        | 31110-KEB7-9000-M1  | 2              | P-21        |
| 19300-KE1-0030-M1   | 1              | P-15        | 23100-KEB7-9000     | 0              | P-29        | 31110-KEB7-9000-M2  | 1              | P-21        |
| 19315-KFA5-E000     | 1              | P-15        | 23200-GR1-2200      | 0              | P-29        | 31120-KEB7-9000-M1  | 1              | P-21        |
| 19410-KEB7-9000     | 2              | P-103       | 23220-GAK-2200      | 0              | P-29        | 31120-KEB7-90B      | 2              | P-21        |
| 19411-KBN-9000      | 1              | P-103       | 23225-GR1-7510      | 0              | P-29        | 31209-GAK-9010      | 3              | P-23        |
| 19422-KFA5-9000     | 0              | P-15        | 23233-GE8-0010      | 2              | P-29        | 31210-GAK-9000-M3   | 1              | P-23        |
| 19502-KFA5-9000     | 1              | P-15        | 23237-GR1-2200      | 0              | P-29        | 31500-KBN-9210-M1   | 3              | P-79        |
| 19505-GY6-9400      | 2              | P-75        | 23238-GY6-9410      | 0              | P-29        |                     |                |             |
|                     |                |             | 23411-KGB5-9000     | 0              | P-33        |                     |                |             |
|                     |                |             | 23420-KGB5-9000     | 0              | P-33        |                     |                |             |

零件號碼索引

PART NO. INDEX

| 零件號碼<br>PART NO.   | 版數<br>VERSION | 頁次<br>PAGE | 零件號碼<br>PART NO.   | 版數<br>VERSION      | 頁次<br>PAGE | 零件號碼<br>PART NO. | 版數<br>VERSION   | 頁次<br>PAGE         |      |      |
|--------------------|---------------|------------|--------------------|--------------------|------------|------------------|-----------------|--------------------|------|------|
| 31600-KDU-9000     | 0             | P-99       | 33726-KHB5-M000-US | 0                  | P-95       | 37000            |                 |                    |      |      |
| 32000              |               |            | 33730-KGB5-M30     | 0                  | P-59       |                  |                 |                    |      |      |
|                    |               |            | 33735-KGB5-M30     | 0                  | P-59       |                  |                 |                    |      |      |
|                    |               |            | 33741-KBE-9000     | 0                  | P-95       |                  | 37111-KGB5-900  | 0                  | P-49 |      |
|                    |               |            | 33761-KHC5-M00     | 0                  | P-95       |                  | 37112-KGB5-900  | 0                  | P-49 |      |
|                    |               |            | 33764-KGB5-M30     | 0                  | P-95       |                  | 37200-KGB5-M30  | 0                  | P-49 |      |
| 32100-KGB5-M30     | 1             | P-99       | 33769-KGB5-M30     | 0                  | P-95       |                  | 37211-KGB5-9000 | 0                  | P-49 |      |
| 32101-GY6-9000     | 1             | P-55       | 34000              |                    |            |                  | 37720-KGB5-9000 | 0                  | P-19 |      |
| 32105-KEB7-9000    | 0             | P-23       |                    |                    |            |                  | 37750-PC1-0040  | 3                  | P-15 |      |
| 32120-155-0010     | 0             | P-99       |                    |                    |            |                  | 37801-GA7-7000  | 1                  | P-75 |      |
| 32120-KEB7-9000    | 0             | P-99       |                    |                    |            | 3780A-KGB5-E000  | 0               | P-75               |      |      |
| 32161-404-0000     | 2             | P-41       |                    | 34901-KFA6-9000    | 0          | P-47             | 38000           |                    |      |      |
| 33000              |               |            |                    | 34903-KCP-9000     | 0          | P-47             |                 |                    |      |      |
|                    |               |            |                    | 34903-KCP-9000     | 0          | P-95             |                 |                    |      |      |
|                    |               |            |                    | 34905-KCP-9000     | 0          | P-93             |                 |                    |      |      |
|                    |               |            |                    | 34905-KCP-9000     | 0          | P-95             |                 | 38110-KEB7-9000-M1 | 2    | P-99 |
|                    |               |            |                    | 34906-KCP-9000     | 0          | P-95             |                 | 38110-KEB7-9000-M2 | 1    | P-99 |
| 33100-KGB5-E000    | 0             | P-47       | 34909-KBE-9000     | 0                  | P-49       | 38300-KEB7-9000  |                 | 1                  | P-99 |      |
| 33101-KGB5-E000    | 0             | P-47       | 35000              |                    |            | 38501-GW2-9000   |                 | 0                  | P-99 |      |
| 33120-KGB5-E000    | 0             | P-47       |                    |                    |            | 38773-PB9-0010   |                 | 0                  | P-95 |      |
| 33400-KEB7-M000-US | 0             | P-93       |                    |                    |            | 40000            |                 |                    |      |      |
| 33402-KEB7-9000    | 0             | P-93       |                    |                    |            |                  |                 |                    |      |      |
| 33402-KGB5-9000    | 0             | P-93       |                    |                    |            |                  |                 |                    |      |      |
| 33407-KGB5-9000    | 0             | P-93       |                    | 35010-KGB5-E1A     | 1          |                  | P-99            |                    |      |      |
| 33430-KGB5-M30     | 0             | P-93       |                    | 35010-KGB5-E1B     | 1          |                  | P-99            |                    |      |      |
| 33440-KGB5-M30     | 0             | P-93       |                    | 35100-KEB7-3150-M1 | 0          |                  | P-99            | 4000-077-0000      | 0    | P-41 |
| 33450-KEB7-M000-US | 0             | P-93       |                    | 35100-KEB7-3150-M2 | 0          |                  | P-99            | 42000              |      |      |
| 33452-KEB7-9000    | 0             | P-93       |                    | 35102-KGBG-9100-M1 | 0          |                  | P-99            |                    |      |      |
| 33452-KGB5-9000    | 0             | P-93       | 35102-KGBG-9100-M2 | 0                  | P-99       |                  |                 |                    |      |      |
| 33457-KGB5-9000    |               | P-93       | 3515A-KHB5-M30     | 0                  | P-51       |                  |                 |                    |      |      |
| 33700-KGB5-E000-SW | 0             | P-95       | 3520A-KGBG-E00     | 3                  | P-51       | 42311-KFC8-9000  | 2               |                    | P-71 |      |
| 33702-KGB5-9000    | 0             | P-95       | 35340-KBN-9000     | 0                  | P-55       | 42312-KBE-9000   | 0               |                    | P-71 |      |
| 33705-KGB5-E000-SW | 0             | P-95       | 35350-KBN-9000     | 0                  | P-55       | 42601-KFC8-900   | 0               |                    | P-71 |      |
| 33709-KAB-0030     | 0             | P-95       | 35400-KEB8-B000-SG | 0                  | P-99       | 42710-KFC8-90A   | 0               |                    | P-71 |      |
| 33720-KHB5-M30     | 1             | P-95       | 35410-KEB7-9000    | 0                  | P-81       | 42753-004-9000   | 1               |                    | P-71 |      |
| 33721-KHB5-M000-US | 0             | P-95       |                    |                    |            | 42753-KCX-9000   | 1               |                    | P-67 |      |
| 33723-KHB5-M000-US | 0             | P-95       |                    |                    |            |                  |                 |                    |      |      |

零件號碼索引

PART NO. INDEX

| 零件號碼<br>PART NO.  | 版數<br>VERSION     | 頁次<br>PAGE     | 零件號碼<br>PART NO. | 版數<br>VERSION | 頁次<br>PAGE | 零件號碼<br>PART NO. | 版數<br>VERSION | 頁次<br>PAGE |  |
|-------------------|-------------------|----------------|------------------|---------------|------------|------------------|---------------|------------|--|
| 43000             |                   |                | 45121-KGB5-900   | 0             | P-67       | 50530-KEB7-9000  | 1             | P-89       |  |
|                   |                   |                | 45126-KGB5-9000  | 0             | P-55       | 50700-KGB5-9000  | 0             | P-103      |  |
|                   |                   |                | 45128-KBE-9000   | 0             | P-63       | 50710-KGB5-9000  | 0             | P-103      |  |
|                   |                   |                | 45131-166-0160   | 0             | P-67       | 50713-KEB7-9000  | 0             | P-103      |  |
|                   |                   |                | 45131-GE2-0060   | 1             | P-67       | 50715-KEB7-9000  | 0             | P-103      |  |
|                   |                   |                | 45132-166-0160   | 0             | P-67       |                  |               |            |  |
|                   |                   |                | 45133-MA3-0060   | 0             | P-67       |                  |               |            |  |
|                   |                   |                | 45156-KCT-8000   | 0             | P-63       | 51000            |               |            |  |
|                   |                   |                | 45156-KGB5-9000  | 0             | P-91       | 51401-KGB5-900   | 0             | P-63       |  |
|                   |                   |                | 45200-KGB5-E90   | 0             | P-67       | 5140A-KGB5-900   | 1             | P-63       |  |
| 45209-GE2-0060    | 0                 | P-67           | 51410-KGB5-900   | 0             | P-63       |                  |               |            |  |
| 45210-KGB5-9000   | 0                 | P-69           | 51420-KGB5-900   | 0             | P-63       |                  |               |            |  |
| 45215-KKD6-E90    | 0                 | P-69           | 5150A-KGB5-900   | 1             | P-63       |                  |               |            |  |
| 45216-166-0060    | 0                 | P-69           | 51520-KGB5-900   | 0             | P-63       |                  |               |            |  |
| 45216-KW6-9020-M1 | 0                 | P-69           |                  |               |            |                  |               |            |  |
| 45513-KCC-9000    | 0                 | P-55           |                  |               |            |                  |               |            |  |
| 45517-KAF-9000    | 0                 | P-55           |                  |               |            |                  |               |            |  |
| 45517-KAF-9100    | 0                 | P-55           | 52000            |               |            |                  |               |            |  |
| 45530-KEB7-3060   | 0                 | P-55           | 52000-KGB5-9000  | 0             | P-91       |                  |               |            |  |
| 45531-GR1-9510    | 0                 | P-69           | 52400-KGB5-900   | 1             | P-91       |                  |               |            |  |
|                   |                   |                |                  |               |            |                  |               |            |  |
| 44000             |                   |                | 50000            |               |            |                  |               |            |  |
|                   |                   |                | 50100-KGB5-M00   | 0             | P-103      | 53000            |               |            |  |
|                   |                   |                | 50301-GM0-0010   | 0             | P-103      | 53100-KGB5-9000  | 0             | P-51       |  |
|                   |                   |                | 50305-GC8-0040   | 0             | P-103      | 53105-KFC8-9000  | 2             | P-51       |  |
|                   |                   |                | 50306-196-0010   | 0             | P-63       | 53106-KFC8-9000  | 0             | P-51       |  |
|                   |                   |                | 50350-KGB5-9000  | 0             | P-103      | 53107-KGB5-M00   | 0             | P-51       |  |
|                   |                   |                | 50356-KBN-2000   | 0             | P-103      | 53108-KGB5-M00   | 0             | P-51       |  |
|                   |                   |                | 50357-KEB7-9000  | 0             | P-103      | 53140-KGB5-900   | 0             | P-51       |  |
|                   |                   |                | 50503-KEB7-9000  | 1             | P-89       | 53166-KGB5-900   | 0             | P-51       |  |
|                   |                   |                | 50505-KBE-9000   | 0             | P-89       | 53175-KBX-E00    | 3             | P-55       |  |
| 5050A-KGB5-9000   | 0                 | P-89           | 53178-KBK-E00    | 0             | P-55       |                  |               |            |  |
| 50527-KED5-9000   | 0                 | P-89           | 53200-KGB5-9000  | 0             | P-63       |                  |               |            |  |
| 43100-KGB5-900    | 0                 | P-71           |                  |               |            |                  |               |            |  |
|                   | 43127-KGB5-9000   | 1              | P-55             |               |            |                  |               |            |  |
|                   | 43129-KGB5-9000   | 2              | P-55             |               |            |                  |               |            |  |
|                   | 43130-KGB5-9000   | 0              | P-55             |               |            |                  |               |            |  |
|                   | 43156-KGB5-9000   | 0              | P-55             |               |            |                  |               |            |  |
|                   | 43210-KGB5-9000   | 0              | P-71             |               |            |                  |               |            |  |
|                   | 43351-KBE-900     | 2              | P-71             |               |            |                  |               |            |  |
|                   | 43352-KKD6-E90    | 0              | P-67             |               |            |                  |               |            |  |
|                   | 43353-461-7710-M1 | 0              | P-67             |               |            |                  |               |            |  |
|                   | 43530-KGB5-3060   | 2              | P-55             |               |            |                  |               |            |  |
| 44301-KGB5-9000   | 0                 | P-67           |                  |               |            |                  |               |            |  |
|                   | 44311-KBE-9000    | 0              | P-67             |               |            |                  |               |            |  |
|                   | 44620-KBE-9000    | 3              | P-67             |               |            |                  |               |            |  |
|                   | 44650-KFC8-305    | 0              | P-67             |               |            |                  |               |            |  |
|                   | 44710-KEB7-E1A    | 0              | P-67             |               |            |                  |               |            |  |
|                   | 44800-KFA5-9000   | 1              | P-67             |               |            |                  |               |            |  |
|                   | 44830-GC8-0000    | 1              | P-49             |               |            |                  |               |            |  |
|                   | 44831-GC8-0000    | 0              | P-49             |               |            |                  |               |            |  |
|                   | 45105-KFA6-3050   | 0              | P-71             |               |            |                  |               |            |  |
|                   |                   | 45107-KKD6-E90 | 0                | P-67          |            |                  |               |            |  |
| 45108-ML4-0060    |                   | 2              | P-67             |               |            |                  |               |            |  |
| 45109-GE2-0060    |                   | 0              | P-67             |               |            |                  |               |            |  |
| 4510A-KW6-9000    |                   | 2              | P-67             |               |            |                  |               |            |  |

零件號碼索引

PART NO. INDEX

| 零件號碼<br>PART NO. | 版數<br>VERSION | 頁次<br>PAGE | 零件號碼<br>PART NO.   | 版數<br>VERSION | 頁次<br>PAGE | 零件號碼<br>PART NO. | 版數<br>VERSION | 頁次<br>PAGE |
|------------------|---------------|------------|--------------------|---------------|------------|------------------|---------------|------------|
| 53205-KGB5-900   | 0             | P-51       | 64341-KGB5-900     | 4             | P-59       |                  |               |            |
| 53206-KGB5-M00   | 0             | P-51       | 64342-KGB5-900     | 1             | P-59       |                  |               |            |
| 53211-GY6-9400   | 0             | P-63       | 64343-KGB5-900     | 0             | P-59       | 83000            |               |            |
| 53212-GC8-0040   | 1             | P-63       |                    |               |            |                  |               |            |
|                  |               |            | 75000              |               |            | 83500-KGB5-900   | 0             | P-83       |
| 55000            |               |            |                    |               |            | 83520-KGB5-900   | 0             | P-61       |
|                  |               |            | 75581-673-0010     | 0             | P-59       | 83600-KGB5-9000  | 0             | P-83       |
| 55100-KGB5-9000  | 0             | P-81       |                    |               |            | 83620-KGB5-900   | 0             | P-61       |
| 55102-166-0010   | 0             | P-81       |                    |               |            | 83750-KGB5-900   | 0             | P-83       |
| 55106-KEB7-9000  | 2             | P-81       | 77000              |               |            | 8376A-KCE-9000   | 2             | P-61       |
| 55121-KEB7-9000  | 0             | P-81       |                    |               |            |                  |               |            |
| 55123-KGB5-9000  | 0             | P-81       | 77200-KGB5-900     | 0             | P-73       | 86000            |               |            |
| 55201-187-0010   | 0             | P-81       | 77233-GY6-3050     | 0             | P-59       |                  |               |            |
|                  |               |            | 77239-KFA6-3050-M1 | 0             | P-73       | 86102-KFA6-E00   | 0             | P-109      |
|                  |               |            | 77239-KFA6-3050-M2 | 0             | P-73       | 86201-KGB5-E00   | 2             | P-109      |
| 61000            |               |            |                    |               |            | 86341-KGB5-E00   | 0             | P-109      |
|                  |               |            | 80000              |               |            | 86342-KGB5-E00   | 0             | P-109      |
| 61100-KGB5-900   | 0             | P-63       |                    |               |            | 86351-KGB5-E00   | 0             | P-109      |
| 61110-KGB5-900   | 1             | P-59       |                    |               |            | 86352-KGB5-E00   | 0             | P-109      |
|                  |               |            | 80100-KEB7-9000    | 0             | P-95       |                  |               |            |
|                  |               |            | 80101-KGB5-900     | 3             | P-95       |                  |               |            |
| 64000            |               |            | 80105-KGB5-E000-SW | 0             | P-95       | 87000            |               |            |
|                  |               |            | 80106-KGB5-9000    | 0             | P-95       |                  |               |            |
| 64301-KGB5-900   | 0             | P-59       | 80107-KEB7-900     | 1             | P-97       | 87501-KDR-E00    | 0             | P-107      |
| 64302-KGB5-900   | 1             | P-59       | 80108-KEB7-9000    | 0             | P-97       | 87505-KHD8-E00   | 0             | P-107      |
| 64303-KGB5-900   | 1             | P-59       | 80109-KEB7-9000    | 0             | P-97       | 87542-GR1-E00    | 1             | P-107      |
| 64304-KGB5-900   | 0             | P-59       |                    |               |            | 87560-KBN-E00    | 1             | P-107      |
| 64305-KGB5-M00   | 0             | P-59       |                    |               |            |                  |               |            |
| 64306-KGB5-M00   | 0             | P-59       | 81000              |               |            |                  |               |            |
| 64307-KFA5-9000  | 0             | P-59       |                    |               |            | 88000            |               |            |
| 64307-KGB5-900   | 0             | P-59       | 81131-KGB5-900     | 1             | P-59       |                  |               |            |
| 64308-KGB5-900   | 0             | P-59       | 81132-KGB5-900     | 0             | P-59       | 88110-KEB7-E00   | 0             | P-51       |
| 64310-KGB5-900   | 1             | P-59       | 81260-KGB5-9000    | 0             | P-83       | 88120-KEB7-E00   | 0             | P-51       |
| 64315-KGB5-9000  | 0             | P-103      | 81300-KGB5-900     | 0             | P-83       |                  |               |            |

零件號碼索引

PART NO. INDEX

| 零件號碼<br>PART NO.  | 版數<br>VERSION | 頁次<br>PAGE | 零件號碼<br>PART NO.  | 版數<br>VERSION | 頁次<br>PAGE | 零件號碼<br>PART NO.  | 版數<br>VERSION | 頁次<br>PAGE |
|-------------------|---------------|------------|-------------------|---------------|------------|-------------------|---------------|------------|
| 89000             |               |            | 90302-SA4-0040    | 1             | P-83       | 91004-KN2-90A     | 0             | P-33       |
|                   |               |            | 90304-GE8-0040    | 0             | P-51       | 91004-KN2-90A     | 0             | P-37       |
|                   |               |            | 90304-GE8-0040    | 0             | P-105      | 91006-KBN-901     | 4             | P-37       |
| 89010-GS7-C000    | 2             | P-73       | 90305-KW6-9120-M2 | 0             | P-71       | 91009-GE0-0040    | 0             | P-33       |
|                   |               |            | 90306-GW0-9020-M1 | 0             | P-69       | 91051-KBF-900     | 0             | P-91       |
|                   |               |            | 90412-329-0010    | 0             | P-27       | 91102-GW0-0090    | 0             | P-39       |
| 90000             |               |            | 90423-KJ9-0010    | 0             | P-15       | 91103-GR1-0040    | 0             | P-29       |
|                   |               |            | 90432-KFA5-9000   | 0             | P-15       | 91201-KBN-9220-M1 | 0             | P-37       |
| 90001-GAK-9010    | 0             | P-19       | 90442-044-0000    | 0             | P-29       | 91202-KBN-9220-M1 | 0             | P-37       |
| 9000A-KDT-9000    | 0             | P-25       | 90451-GN2-6010    | 0             | P-27       | 91204-KBN-9020-M1 | 1             | P-37       |
| 90102-KBN-9000    | 0             | P-103      | 90454-GB2-0000    | 0             | P-29       | 91211-GK8-0130    | 0             | P-29       |
| 90105-KGB5-9000   | 0             | P-83       | 90474-333-0010    | 0             | P-35       | 91225-446-0140    | 0             | P-63       |
| 90105-KR3-0010    | 1             | P-69       | 90545-300-0010    | 2             | P-55       | 91255-GE0-0060    | 0             | P-33       |
| 90105-KR3-0010    | 1             | P-71       | 90601-354-0010    | 0             | P-63       | 91259-KBF-9000    | 0             | P-91       |
| 90106-KFC2-9000   | 0             | P-51       | 90652-GHB-6410    | 0             | P-85       | 91301-KA5-7420-Y1 | 0             | P-31       |
| 90108-GY6-9010    | 0             | P-89       | 90656-KCBC-9000   | 0             | P-51       | 91302-PA9-0040    | 0             | P-31       |
| 90110-KEB7-9000   | 0             | P-63       | 90656-KDU-9000    | 0             | P-105      | 91304-GB0-9110    | 1             | P-37       |
| 90110-KHD8-9000   | 0             | P-87       | 90660-KBG-9000    | 0             | P-81       | 91309-GAK-9010    | 0             | P-23       |
| 90111-KW6-0010    | 0             | P-83       | 90660-KBG-9000    | 0             | P-97       | 91320-KE1-0000    | 0             | P-15       |
| 90112-KDR-9000    | 0             | P-101      | 90683-GR1-004     | 3             | P-83       | 91508-KV7-6710-M1 | 0             | P-97       |
| 90112-KFA1-9000   | 0             | P-61       | 90683-GR1-004     | 3             | P-97       |                   |               |            |
| 90114-166-0070    | 1             | P-55       | 90701-679-0000    | 0             | P-15       |                   |               |            |
| 90121-GY6-9010    | 0             | P-105      | 90741-035-0010    | 0             | P-39       | 92000             |               |            |
| 90122-GS3-0000    | 0             | P-27       | 90754-GC8-0000    | 0             | P-69       |                   |               |            |
| 90131-GW0-9110    | 0             | P-69       | 90912-KLF-00B     | 0             | P-69       | 92700-06028-1B    | 0             | P-19       |
| 90131-GW0-9110    | 0             | P-71       | 90913-KN7-6710    | 1             | P-105      |                   |               |            |
| 90145-MS9-6120-M1 | 0             | P-55       |                   |               |            | 93000             |               |            |
| 90202-187-0010    | 0             | P-29       |                   |               |            |                   |               |            |
| 90215-GM0-9100    | 0             | P-83       | 91000             |               |            |                   |               |            |
| 90301-KGBG-9000   | 0             | P-87       |                   |               |            | 93404-06016-07    | 0             | P-97       |
| 90302-GY6-9010    | 0             | P-61       | 91001-GA7-70A     | 0             | P-29       | 93500-04020-0G    | 0             | P-61       |
| 90302-GY6-9010    | 0             | P-75       | 91001-GW0-90A     | 1             | P-35       | 93500-05012-0H    | 0             | P-37       |
| 90302-GY6-9010    | 0             | P-81       | 91001-KFA5-900    | 0             | P-15       | 93500-06016-0H    | 0             | P-15       |
| 90302-GY6-9010    | 0             | P-83       | 91002-KFA5-900    | 0             | P-15       | 93500-KBGB-9000   | 0             | P-51       |
| 90302-SA4-0040    | 1             | P-61       | 91004-KBN-92A     | 0             | P-35       | 93600-04012-1G    | 0             | P-55       |

零件號碼索引

PART NO. INDEX

| 零件號碼<br>PART NO. | 版數<br>VERSION | 頁次<br>PAGE | 零件號碼<br>PART NO. | 版數<br>VERSION | 頁次<br>PAGE | 零件號碼<br>PART NO.   | 版數<br>VERSION | 頁次<br>PAGE |
|------------------|---------------|------------|------------------|---------------|------------|--------------------|---------------|------------|
| 93700-05018-0H   | 0             | P-49       | 94050-06080      | 0             | P-105      | 95005-KGB5-9000    | 0             | P-75       |
| 93891-05016-07   | 0             | P-49       | 94050-10080      | 0             | P-21       | 9500B-KEB7-9000    | 0             | P-75       |
| 93892-04008-18   | 0             | P-41       | 94050-10080      | 0             | P-31       | 9500C-KGB5-9000    | 0             | P-75       |
| 93892-04014-18   | 0             | P-41       | 94050-KFA5-9000  | 2             | P-17       | 9500E-KGB5-9000    | 0             | P-75       |
| 93893-04012-18   | 0             | P-55       | 94051-KFA5-9000  | 0             | P-17       | 95014-71402        | 0             | P-89       |
| 93901-32310      | 0             | P-93       | 94101-06800      | 0             | P-105      | 95014-72204        | 0             | P-89       |
| 93903-24280-02   | 0             | P-49       | 94101-08700      | 0             | P-89       | 95701-06010-08     | 0             | P-91       |
| 93903-25380      | 0             | P-85       | 94251-08400      | 0             | P-89       | 95701-06012-08     | 0             | P-63       |
| 93903-34280      | 0             | P-61       | 94251-08400      | 0             | P-105      | 95701-06012-08     | 0             | P-101      |
| 93903-34380      | 0             | P-49       | 94301-10200      | 0             | P-37       | 95701-06012-08     | 0             | P-105      |
| 93903-34380      | 0             | P-51       | 94510-20000      | 0             | P-33       | 95701-06016-07     | 0             | P-77       |
| 93903-34380      | 0             | P-61       | 94511-14000      | 0             |            | 95701-06020-07     | 0             | P-97       |
| 93903-34380      | 0             | P-83       | 94520-24000      | 0             | P-31       | 95701-06022-07     | 0             | P-57       |
| 93903-34380      | 0             | P-85       | 94524-42000      | 0             | P-91       | 95701-06022-07     | 0             | P-89       |
| 93903-34380      | 0             | P-93       | 94591-KBF-9000   | 1             | P-17       | 95701-06032-08     | 0             | P-17       |
| 93903-34380      | 0             | P-97       | 94605-KBE-9000   | 0             | P-63       | 95701-06035-07     | 0             | P-53       |
| 93903-34480      | 0             | P-49       | 94608-30000      | 0             | P-63       | 95701-06040-08     | 0             | P-85       |
| 93903-35080      | 0             | P-85       |                  |               |            | 95701-08012-08     | 0             | P-37       |
| 93903-35380      | 0             | P-47       |                  |               |            | 95701-08040-08     | 0             | P-37       |
| 93903-GY6-9000   | 0             | P-61       | 95000            |               |            | 95701-KEB7-E000    | 1             | P-101      |
| 93903-GY6-9000   | 0             | P-83       |                  |               |            | 95801-08035-08     | 0             | P-37       |
| 93903-GY6-9000   | 0             | P-97       | 95002-02070      | 0             | P-43       | 95801-08035-08     | 0             | P-91       |
|                  |               |            | 95002-02070      | 0             | P-75       | 95801-08040-08     | 0             | P-65       |
| 94000            |               |            | 95002-02070      | 0             | P-105      | 95801-08075-07     | 0             | P-87       |
|                  |               |            | 95002-02080      | 0             | P-43       | 95801-10035-08     | 0             | P-91       |
|                  |               |            | 95002-02080      | 0             | P-75       | 95801-10040-08     | 0             | P-53       |
| 94001-12280-0S   | 0             | P-27       | 95002-02080      | 0             | P-97       | 95801-10050-07     | 0             | P-105      |
| 94050-05080      | 0             | P-51       | 95002-02100      | 0             | P-81       | 95801-10095-07     | 0             | P-105      |
| 94050-05080      | 0             | P-97       | 95002-02110      | 0             | P-85       | 95801-10120-07     | 0             | P-105      |
| 94050-06080      | 0             | P-41       | 95002-02650      | 0             | P-37       | 95801-KGB5-E000-GR | 0             | P-87       |
| 94050-06080      | 0             | P-57       | 95002-40800-08   | 0             | P-43       |                    |               |            |
| 94050-06080      | 0             | P-61       | 95002-50000      | 0             | P-81       |                    |               |            |
| 94050-06080      | 0             | P-73       | 95002-KHE7-9000  | 0             | P-105      | 96000              |               |            |
| 94050-06080      | 0             | P-97       | 95002-KN7-9100   | 1             | P-17       |                    |               |            |
| 94050-06080      | 0             | P-101      | 95002-KN7-9100   | 1             | P-105      | 96001-06012-08     | 0             | P-21       |

零 件 號 碼 索 引

PART NO. INDEX

| 零 件 號 碼<br>PART NO. | 版 數<br>VERSION | 頁 次<br>PAGE | 零 件 號 碼<br>PART NO. | 版 數<br>VERSION | 頁 次<br>PAGE | 零 件 號 碼<br>PART NO. | 版 數<br>VERSION | 頁 次<br>PAGE |
|---------------------|----------------|-------------|---------------------|----------------|-------------|---------------------|----------------|-------------|
| 96001-06022-08      | 0              | P-21        |                     |                |             |                     |                |             |
| 96001-06025-08      | 0              | P-17        |                     |                |             |                     |                |             |
| 96001-06025-08      | 0              | P-23        | N                   |                |             |                     |                |             |
| 96001-06025-08      | 0              | P-37        |                     |                |             |                     |                |             |
| 96001-06032-08      | 0              | P-37        | N425-8JA00          | 0              | P-43        |                     |                |             |
| 96001-06035-08      | 0              | P-17        | N502-36H00          | 0              | P-43        |                     |                |             |
| 96001-06045-08      | 0              | P-37        |                     |                |             |                     |                |             |
| 96001-06055-08      | 0              | P-37        |                     |                |             |                     |                |             |
| 96100-62033-00      | 0              | P-37        | S                   |                |             |                     |                |             |
| 96211-05000         | 0              | P-65        |                     |                |             |                     |                |             |
| 96211-08000         | 0              | P-105       | S3620-031-B000      | 0              | P-43        |                     |                |             |
| 98000               |                |             |                     |                |             |                     |                |             |
| 98076-5871G-00      | 0              | P-19        |                     |                |             |                     |                |             |
| 98200-10700         | 0              | P-79        |                     |                |             |                     |                |             |
| 98200-10700         | 0              | P-101       |                     |                |             |                     |                |             |
| 98200-11500         | 0              | P-79        |                     |                |             |                     |                |             |
| 98200-11500         | 0              | P-101       |                     |                |             |                     |                |             |
| 99000               |                |             |                     |                |             |                     |                |             |
| 99101-116-0820      | 0              | P-43        |                     |                |             |                     |                |             |
| K                   |                |             |                     |                |             |                     |                |             |
| K350-KEB-0200       | 0              | P-43        |                     |                |             |                     |                |             |
| K446-KEB-0100       | 0              | P-43        |                     |                |             |                     |                |             |
| K536-KFA-0100       | 0              | P-43        |                     |                |             |                     |                |             |
| K590-KFA-0200       | 0              | P-43        |                     |                |             |                     |                |             |
| K785-KEB-0100       | 0              | P-43        |                     |                |             |                     |                |             |
| K785-KEB-0300       | 0              | P-43        |                     |                |             |                     |                |             |