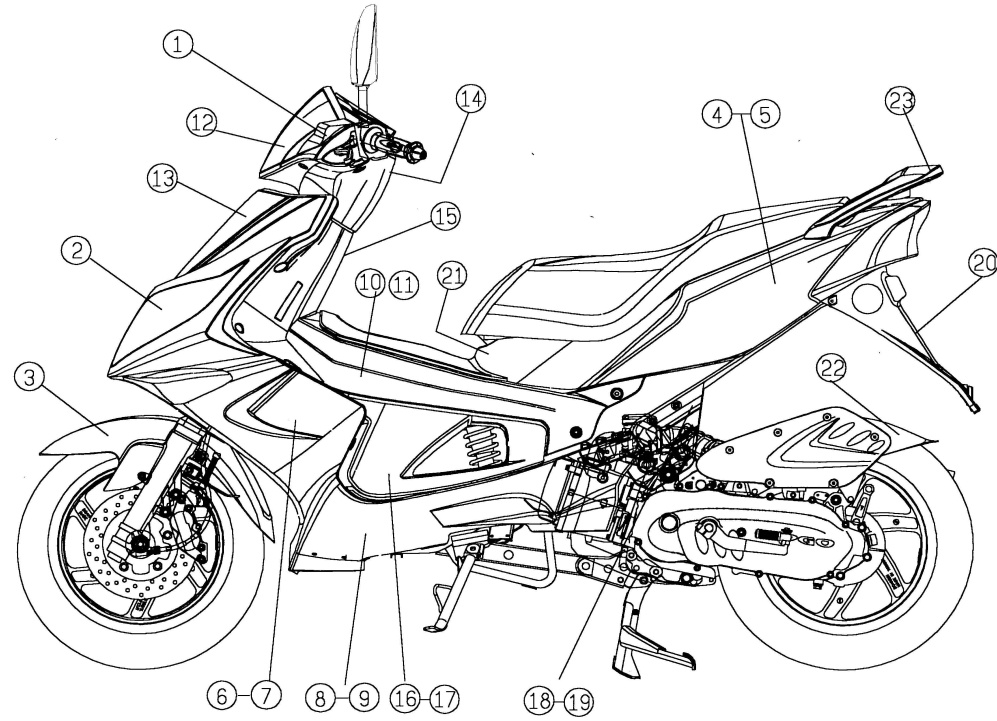




# Parts Catalog

# ***BLUR***

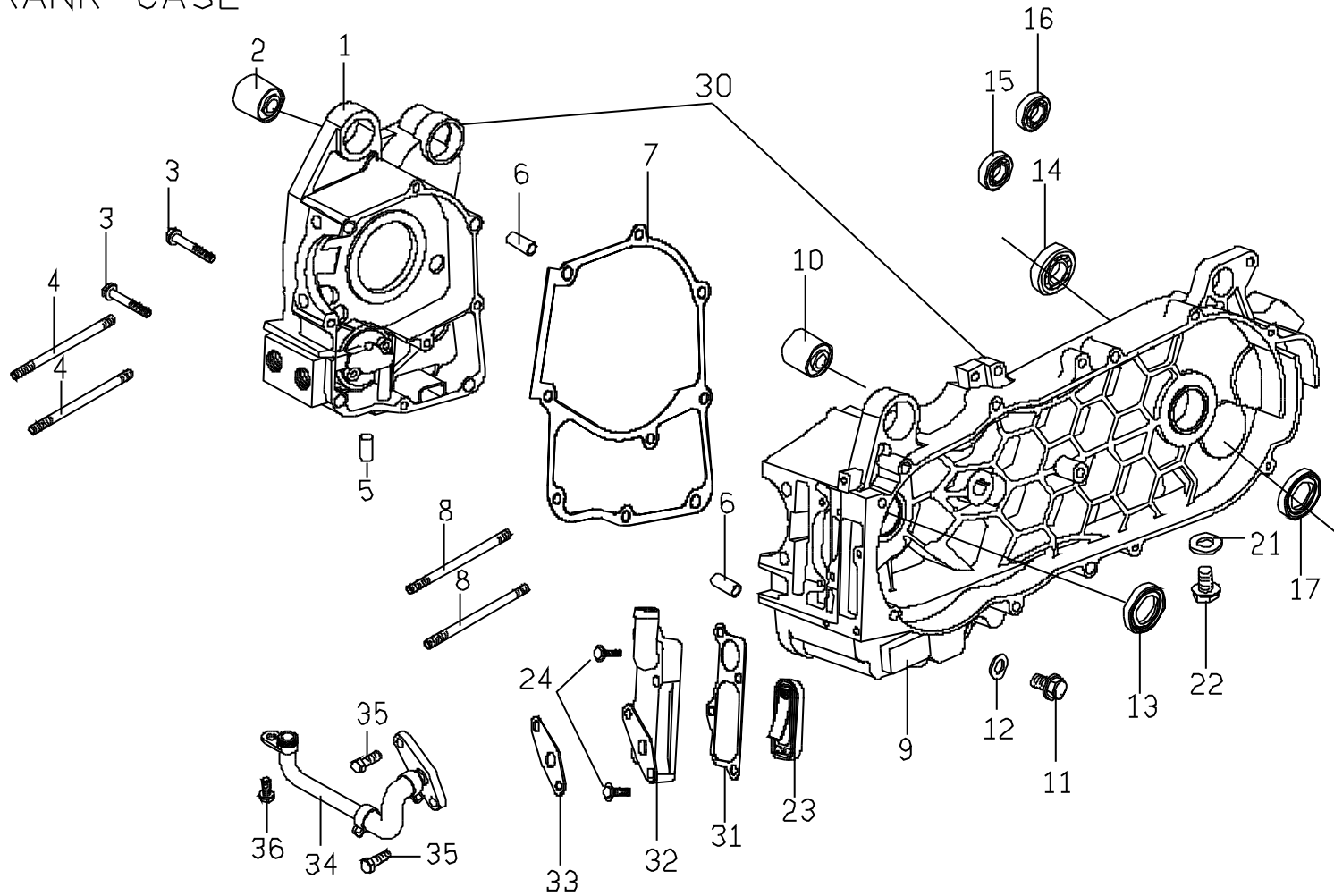


**BLUR BODY PANELS**

updated 8.14.12

ITEM	PART NAME	BLUR 150 ORANGE BLACK	BLUR 150 BLACK GRAY	BLUR SS220i GREY	BLUR SS220i WHITE	Dealer Cost	MSRP
1	HANDLE COVER UPPER	M26130002R0	M2613000690	M26130007N0	M2613000710	\$ 28.25	\$ 56.50
2	WINDSHIELD	M26210006B0	M26210006B0	M26210007N0	M2621000710	\$ 50.31	\$ 113.75
3	FR FENDER	M26320016B0	M26320016B0	M26320017N0	M2632001710	\$ 43.13	\$ 97.50
4	BODY COVER,LH	M26253006B0	M26253006B0	M26253007N0	M2625300710	\$ 26.35	\$ 52.70
5	BODY COVER,RH	M26255006B0	M26255006B0	M26255007N0	M2625500710	\$ 26.35	\$ 52.70
6	TURN SIGNAL FRONT ASSY,INNER COVER(LH)	M26213006B0	M26213007R0	M26213007R0	M2621300710	\$ 21.18	\$ 42.35
7	TURN SIGNAL FRONT ASSY,INNER COVER(RH)	M262A3006B0	M262A3007R0	M262A3007R0	M262A300710	\$ 21.18	\$ 42.35
8	LOWER COVER(LEFT)	M26263006B0	M26263006B0	M26263017N00	M26263017100	\$ 26.38	\$ 52.75
9	LOWER COVER(RIGHT)	M26265016B00	M26265016B00	M26265037N00	M26265037100	\$ 26.38	\$ 52.75
10	KEEL COVER,LH	M26240112R0	M2624011690	M26240117R0	M2624011710	\$ 21.56	\$ 47.34
11	KEEL COVER,RH	M262D0112R0	M262D011690	M262D0117R0	M262D011710	\$ 21.56	\$ 47.34
12	AGAINST SUN PLATE	M2613020000	M2613020000	M2613020000	M2613020000	\$ 6.25	\$ 12.50
13	WINSHIELD,OUTER COVER(BLACK)	M2621010690	M2621010690	M2621010690	M2621010690	\$ 15.00	\$ 30.00
14	HANDLE COVER LOWER	M2614001650	M2614001650	M26140026500	M26140026500	\$ 7.19	\$ 16.25
15	INNER COVER,FRT	M262C0136500	M262C0136500	M262C0136500	M262C0136500	\$ 18.45	\$ 36.83
16	STEP FLOOR,LH	M2624001650	M2624001650	M26240026500	M26240026500	\$ 17.25	\$ 40.63
17	STEP FLOOR,RH	M262D001650	M262D001650	M262D0026500	M262D0026500	\$ 17.25	\$ 40.63
18	LEFT HANGER COVER	M2624060650	M2624060650	M26240816505	M26240816505	\$ 1.90	\$ 3.81
19	RIGHT HANGER COVER	M2624070650	M2624070650	M26240716505	M26240716505	\$ 1.90	\$ 3.81
20	LICENCE PLATE	M2636001650	M2636001650	M26360026500	M26360026500	\$ 7.18	\$ 16.25
21	FUEL TANK COVER,FR.	M26250116500	M26250116500	M26250126500	M26250126500	\$ 7.18	\$ 16.25
22	REAR FENDER	M2634000650	M2634000650	C76340006500	C76340006500	\$ 10.62	\$ 21.24
23	RR LUGGAGE BRACKET	M26760002R0	M2676000690	M26760007R0	M2676000710	\$ 88.63	\$ 177.25
*	MIRROR LEFT	NA	NA	NA	BF61F0100000	\$ 11.50	\$ 24.38
*	MIRROR RIGHT	NA	NA	NA	BF61F0200000	\$ 11.50	\$ 24.38
*	MIRROR SET ONLY	P2616000000	P2616000000	BF6160000002	NA	\$ 25.00	\$ 50.00

曲軸箱  
E1 CRANK CASE

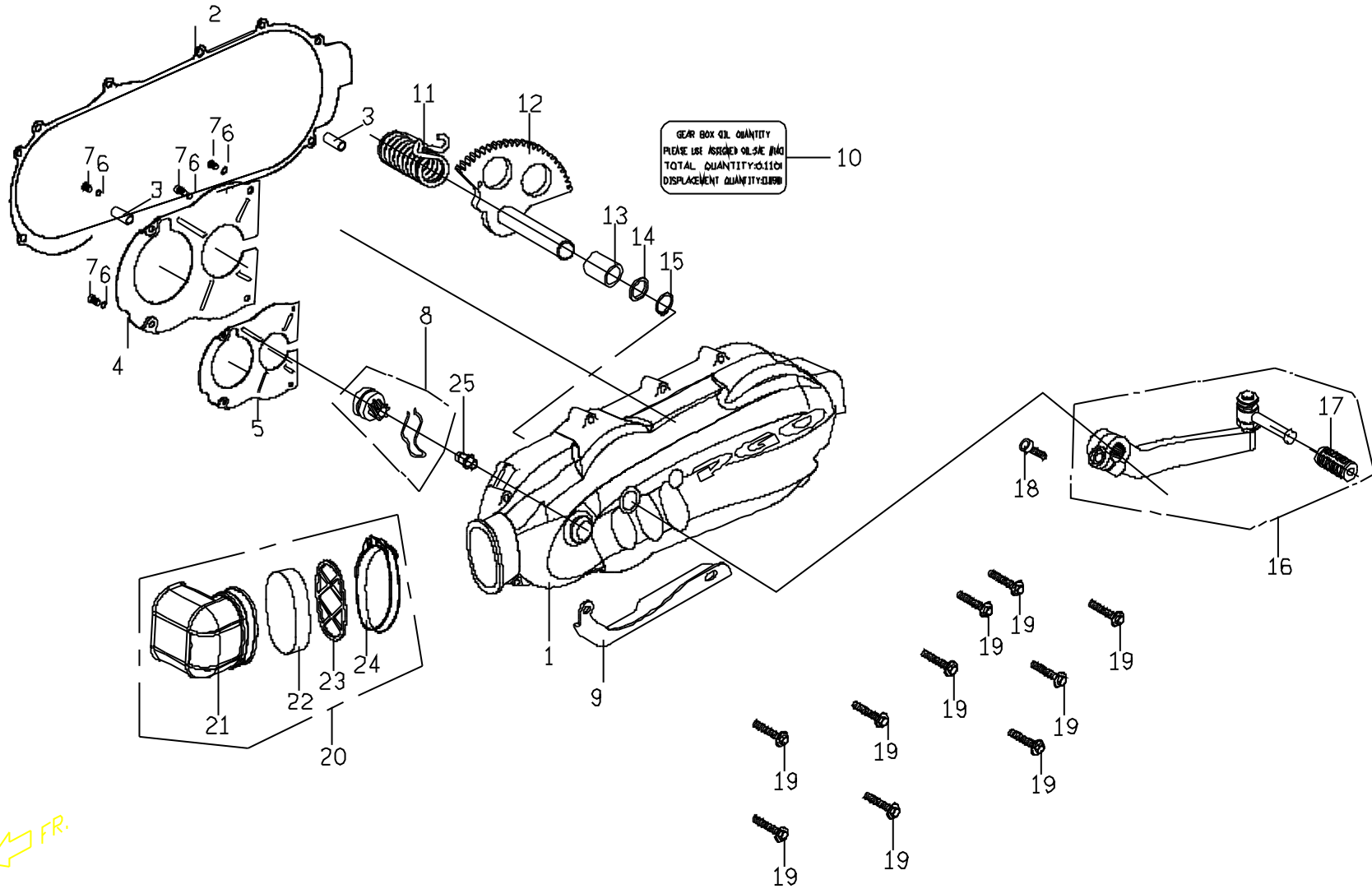


FR.

## E1 □□□ (CRANKCASE )

No. □□	Part No. □□□□	Q'TY □□	PART NAME □□□□□□	SPECIFICATION □□
1	C50610000001S	1	RH CRANKCASE	M2-150
2	E1061020000	1	RUBBER BUSH	
3	90190605003	2	HEXAGON FLANGE BOLT	
4	90170818800	2	STUP BOLT	
5	G1061070000	1	PLUG OIL	
6	93540801400	2	LOCK PIN	
7	C5061041000	1	CRANKCASE GASKET	
8	90170819500	2	STUD BOLT	
9	C50620100002	1	LH.CRANKCASE	M2-150
10	E1061020000	1	RUBBER BUSH	
11	90181201500	1	HEXAGON FLANGE BOLT	DRAIN OIL
12	92141200006	1	PLAIN WASHER	
13	95572032601	1	OIL SEALTC TYPE	M2-150
14	96510620407	1	DEEP GROOVE BALL BEARING	
15	96510620200	1	DEEP GROOVE BALL BEARING	
16	96510620301	1	DEEP GROOVE BALL BEARING	
17	95572032600	1	OIL SEAL TC TYPE	FOR PULLEY
21	92140800001	1	PLAIN WASHER	
22	90190801200	1	HEXAGON FLANGE BOLT	
23	C5286010000	1	SECOND AIR REED VALVE COMP	
24	90190602700	2	HEXAGON FLANGE BOLT	
30	C506K0100002	1	RH AND LH CRANKCASE ASSY.	M2-150
31	C1286161000	1	GASKET SECOND AIR COVER	
32	C5286060000	1	COVER,SECOND AIR	M2-150
33	C1286190000	1	GASKET,TUBE	
34	C3286201000	1	TUBE COMP	M2-150
35	90190603502	2	HEXAGON FLANGE BOLT	
36	90190601200	1	HEXAGON FLANGE BOLT	M2-150

E2 左邊蓋  
LH SIDE COVER

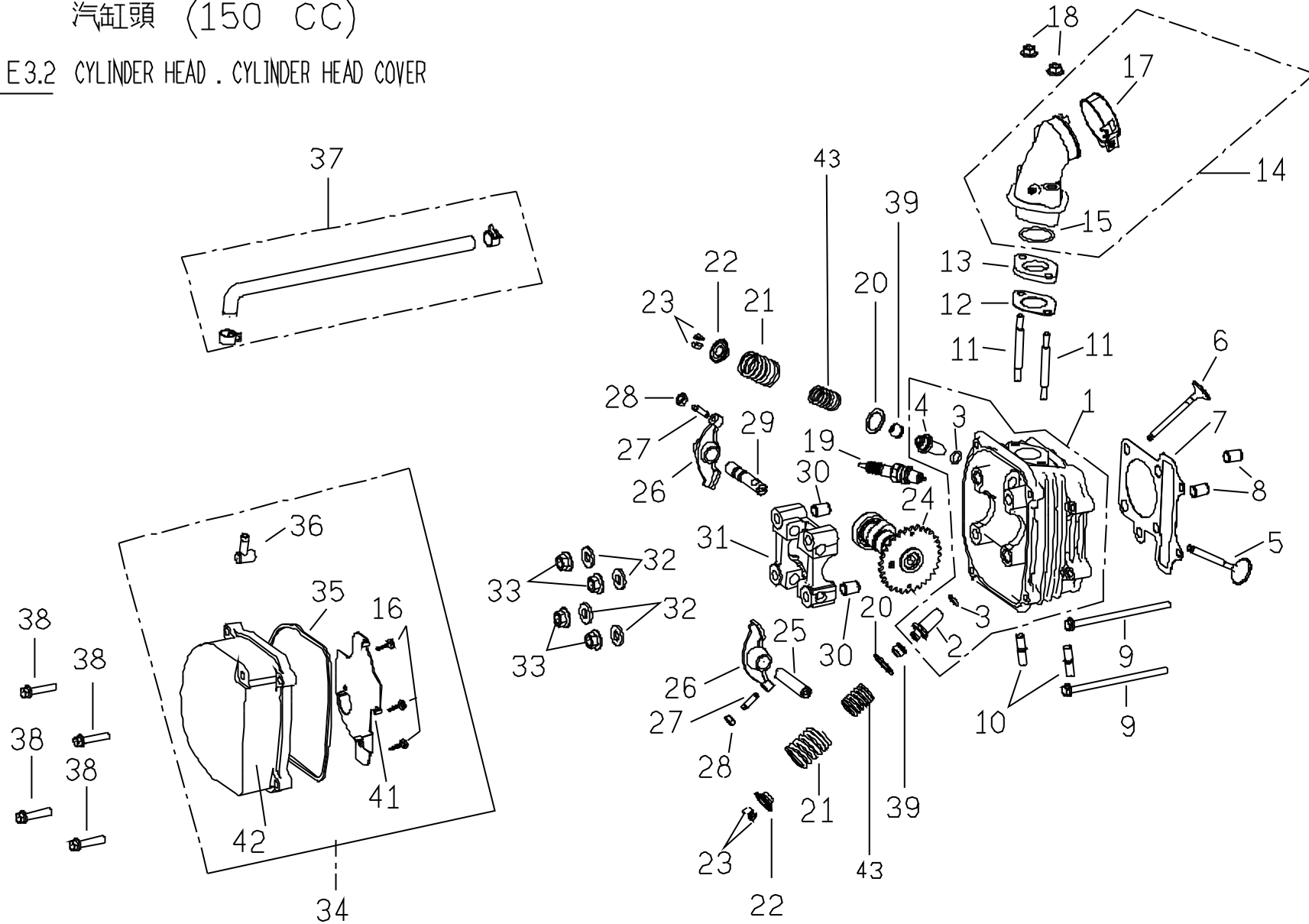


## E2 □□□ (LEFT SIDE COVER )

No. □□	Part No. □□□□	Q'TY □□	PART NAME □□□□□□	SPECIFICATION □□
1	C1063010720	1	LH SIDE COVER	
2	C1063021000	1	GASKET LEFT COVER	
3	93540801400	2	LOCK PIN	
4	C10630600001	1	PARTITION PLATE	
5	C1063120000	1	PARTITION PLATE PACKING	
6	92110500000	4	SPRING WASHER	
7	90050500900	4	C-R ROUND HD. TAPPING SCREW	
8	C1251001000	1	DRIVEN GEAR & SPG. ASSY.	
9	C1062081000	1	BRACKET, CENTER STAND	
10	C16031400001	1	GEAR OIL NOTICE LABEL(ENGLISH)	
11	C1251112000	1	TORSION SPRING	
12	C1251101000	1	KICK,SHAFT ASSY	
13	C1251120000	1	BUSH,KICK SPINPLE	
14	92141700002	1	PLAIN WASHER	
15	92171700000	1	RETAINING RING C-TYPE	
16	C1251200000	1	ARM,KICK STARTER ASSY	
17	E1251240000	1	RUBBER,PAD,KICK STARTER	
18	90210802500	1	HEXANON SOCKET HEAD CAP BOLT	
19	90190604001	10	HEXAGON FLANGE BOLT	
20	M2063100000	1	BREATHER PIPE COMP	
21	M2063030000	1	BREATHER PIPE	
22	C1063092000	1	SPONGE,BREATHER PIPE	
23	C1063110000	1	FIXING PLATE	
24	C1706280000	1	CLAMP	
25	C1251171000	1	START FIXED SHAFT	

# 汽缸頭 (150 CC)

## E3.2 CYLINDER HEAD . CYLINDER HEAD COVER



## E3.2 气缸盖总成 (CYLINDER HEAD ASSY.)

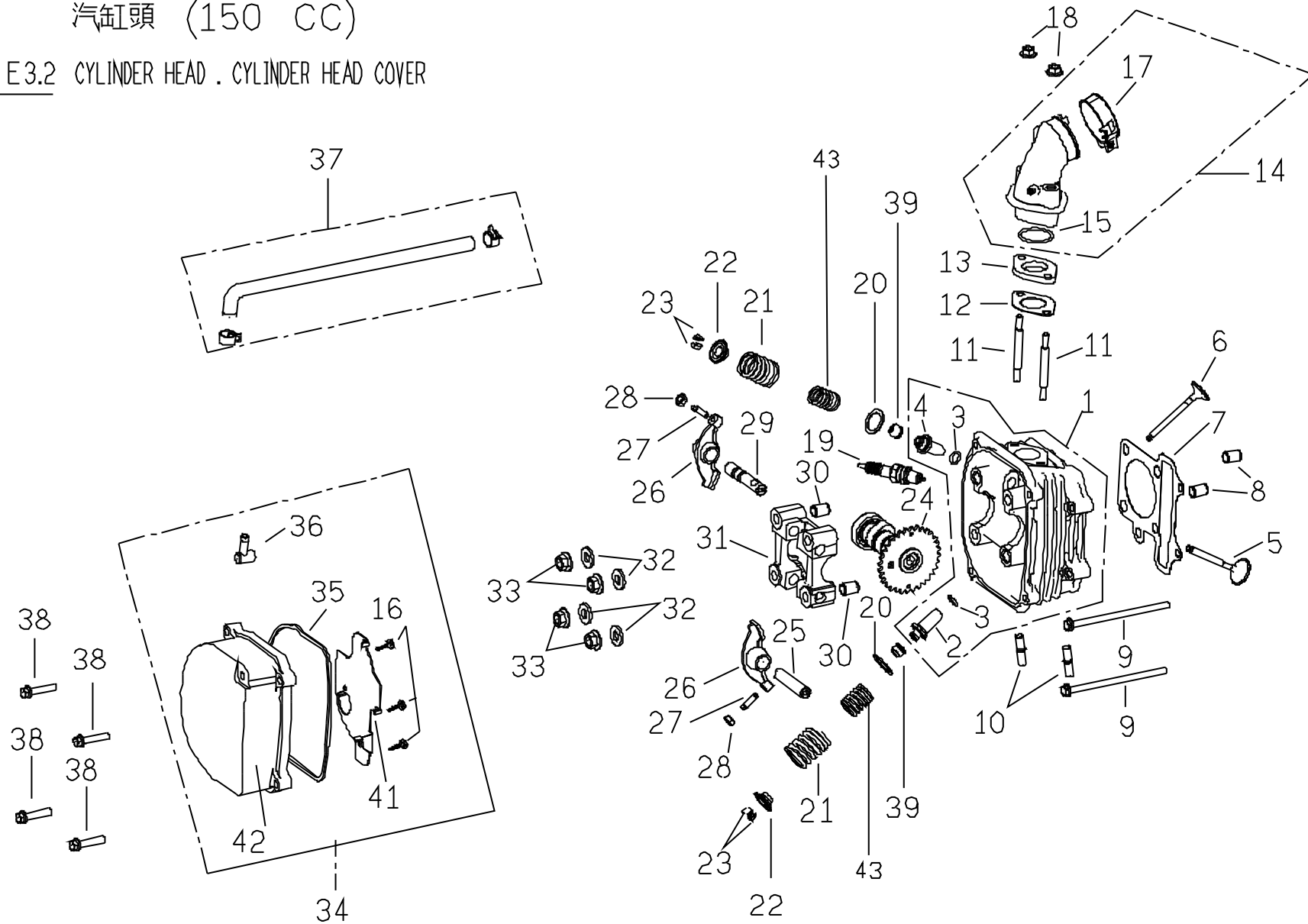
M2-150

No. □□	Part No. □□□□	QTY □□	PART NAME □□□□□□	SPECIFICATION □□
1	C50710120001	1	HEAD COMP. CYLINDER	W/H SAI
5	C5071200000	1	VALVE EXHAUST	
6	C5071300000	1	VALVE INLET	
7	C5071071000	1	GASKET HEAD CYL.	
8	93541001401	2	LOCK PIN	
9	90190610000	2	HEXAGON FLANGE BOLT	
10	90170802900	2	STUD BOLT	
11	90170606300	2	STUD BOLT	
12	C1261321000	1	INSULATOR CARB GASKET	
13	C1261310000	1	INSULATOR CARB	
14	C1261052000	1	INTAKE MANIFOLD COMP	
15	95512700001	1	O RING	
16	90150400800	4	C-R TAPPING MACHINE SCREW	
17	C1261061000	1	HOSE CLAMP	
18	92040600000	2	HEXAGON FLANGE NUT	
19	C12220000002	1	IGNITION PLUG	
20	92431600002	2	PLAIN WASHER	
21	C5071411000	2	SPRING, VALVE	RED
22	C1071440000	2	RETAIER VALVE SPRING	
23	C1071430000	4	COTTER VALVE	
24	C5073000000	1	CAM, SHAFT ASSY.	M2-150
25	C1072060000	1	SHAFT, EX.ROCKER ARM	
26	C1072010000	2	VALVE RXKER ARM	
27	C1072420000	2	SCREW TOPPED ADJUSTER	
28	92020500001	2	HEXAGON NUT	
29	C1072050000	1	SHAFT, EX.ROCKER ARM	
30	93541001401	2	LOCK PIN	
31	C1072430000	1	CAMSHAFT HOLDER	



# 汽缸頭 (150 CC)

## E3.2 CYLINDER HEAD . CYLINDER HEAD COVER



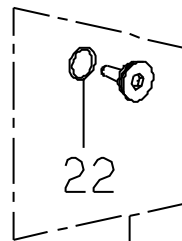
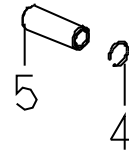
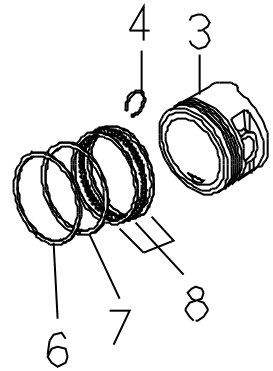
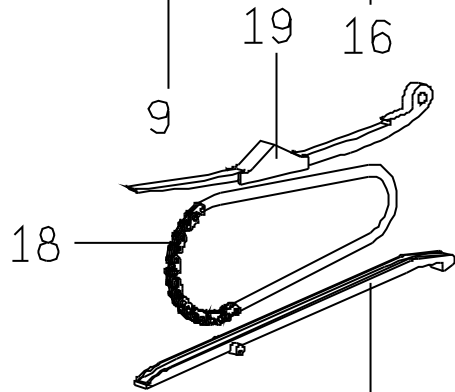
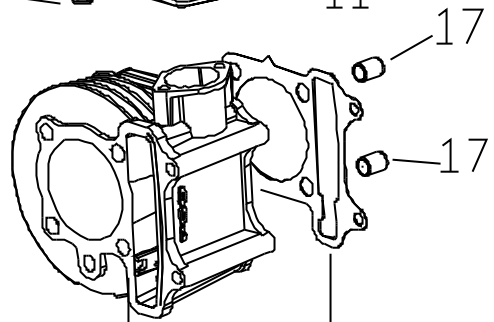
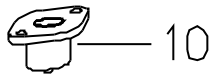
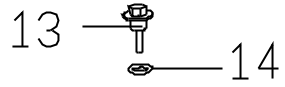
E3.2 シリンダヘッド組立品 (CYLINDER HEAD ASSY.)

M2-150

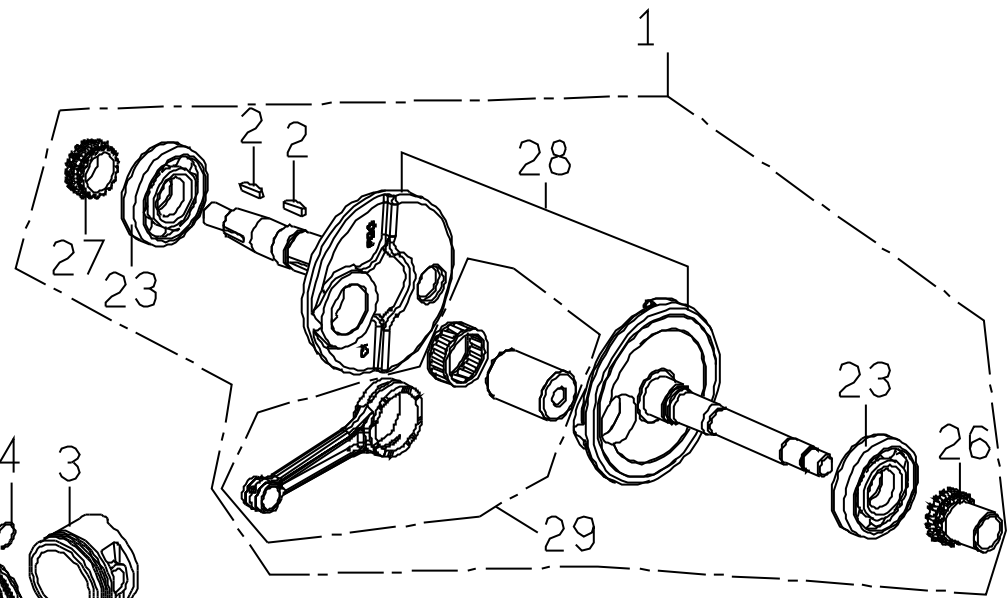
No. No.	Part No. No.	Q'TY No.	PART NAME No.	SPECIFICATION No.
32	92140800000	4	PLAIN WASHER	
33	92040800000	4	HEXAGON FLANGE NUT	
34	C2071102000	1	CYL.HEAD COVER COMP.	
35	C1071120000	1	DACKING,CYL. HEAD COVER	
36	C1071130000	1	TUBE CYL HEAD COVER	
37	ES071190000	1	PCV PIPE ASSY	
38	90190602700	4	HEXAGON FLANGE BOLT	
39	C1071451000	2	VALVE SEAL	
41	C10711500001	1	PARTITION Plate	
42	C10711100003	1	CYLINDER HEAD COVER	CP/CS
43	C5071421000	2	SPRING,VALVE	

曲軸及汽缸 (150 CC)

E4.2 CYLINDER . PISTON , CRANKSHAFT



21



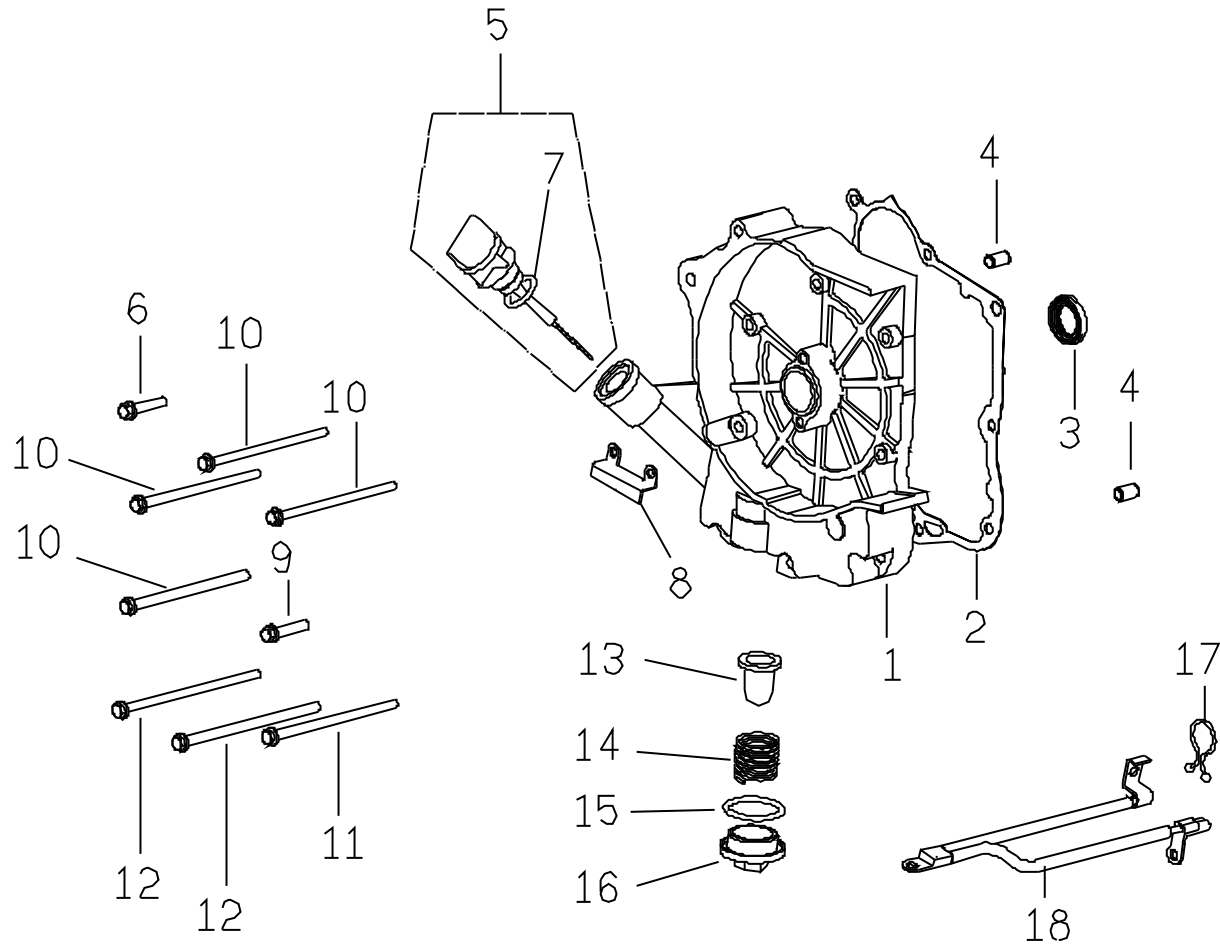
## E4.2. CYLINDER, CRANKSHAFT

M2-150

No.	Part No.	QTY	PART NAME	SPECIFICATION
1	M2066501000	1	CRANKSHAFT COMP.	M2-150
2	93530402500	2	WOODRUFF KEY	
3	C5067012000	1	PISTON	
4	G1067151000	2	CLIP,PISTON PIN	
5	C5067110000	1	PISTON PIN	
6	C5067310000	1	PISTON RING (1)	
7	C5067320000	1	PISTON RING (2)	
8	C5067400000	1	OIL SCRAPER RING COMP	
9	C50640100005	1	CYLINDER	
10	C5072500000	1	CHAIN ADJUSTER COMP.	
11	C5072481000	1	GASKET,CHAIN ADJUSTER	
13	90070600600	1	CHAIN ADJUSTER BOLT	
14	95511000002	1	O RING	
15	90190602000	1	HEXAGON FLANGE BOLT	
16	C5064111000	1	GASKET CYLINDER	
17	93541001401	2	LOCK PIN	
18	C1072460000	1	CHAIN,CAMSHAFT	
19	C1072440000	1	TENSIONER,CAM CHAIN	
20	C5072470000	1	GUIDE COMP,CAM CHAIN	
21	C1072490000	1	PIVOT,CAM CHAIN TENSION	
22	95511500001	1	O RING	
23	C1062100000	2	ROLLER BEARING	
24	90190601200	1	HEXAGON FLANGE BOLT	
25	92140600011	1	PLAIN WASHER	
26	C5066130000	1	TIMING SPROCKET	
27	C1066140000	1	OIL PUMP SPROCKET	
28	M206F010000	1	LH & RH CRANKSHAFT ASSY.	
29	C506F1100002	1	CONNECTING ROD ASSY.	

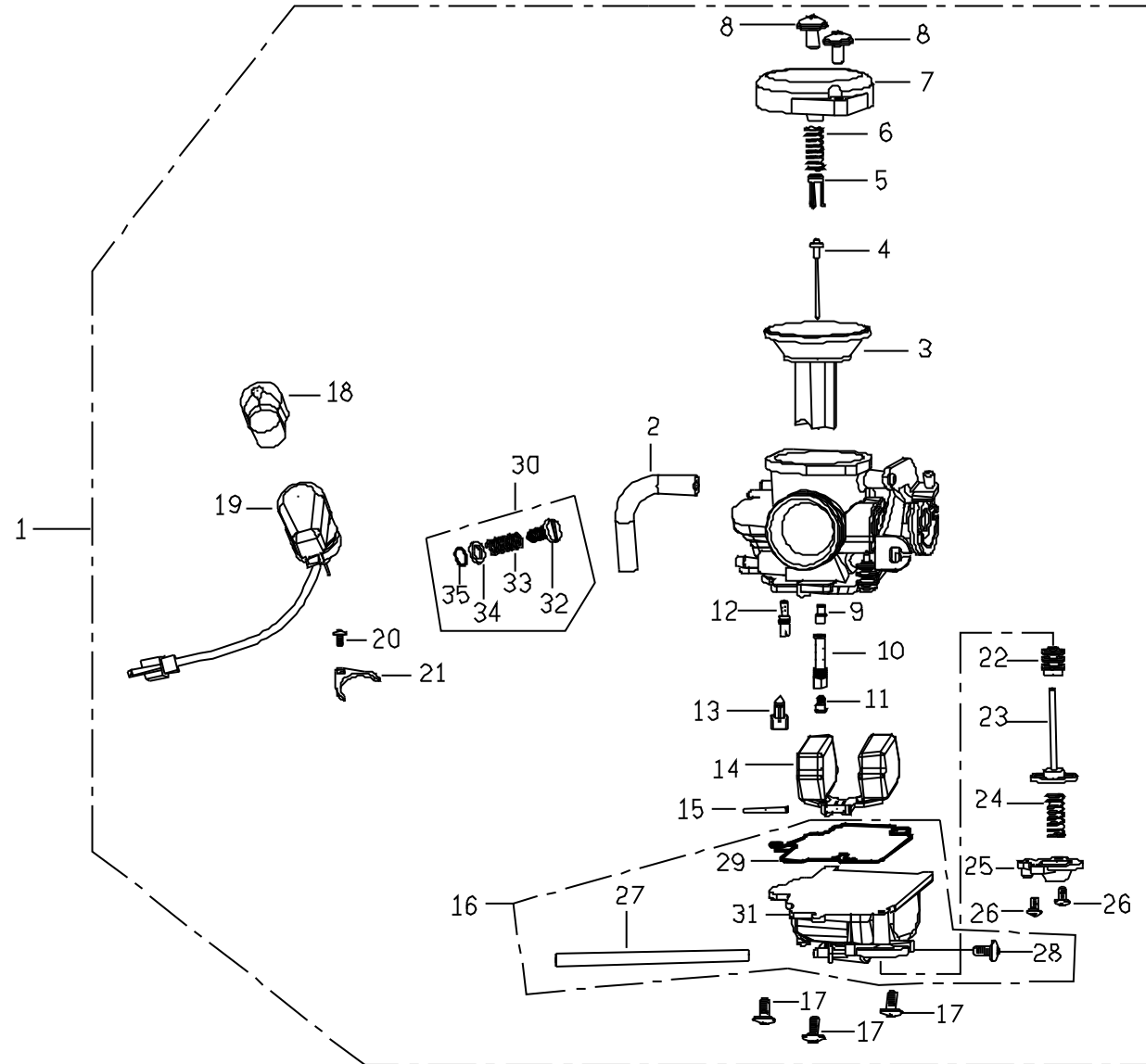
E5 右曲軸箱蓋

RIGHT CRANKCASE COVER





E6. 化油器  
CARBURETOR

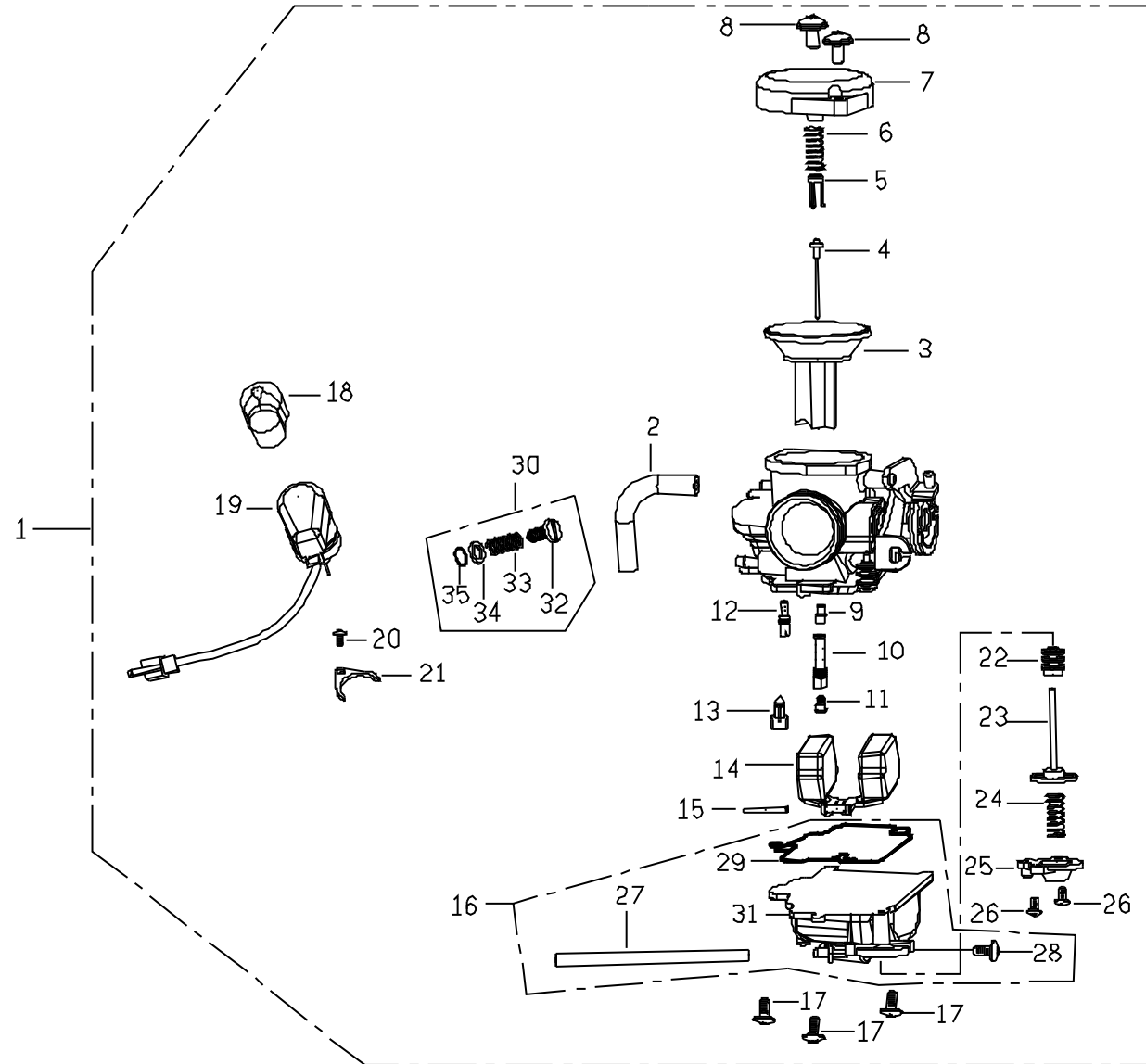


E6.2 □□□ □EEC/(CARBURETOR ,W/H EEC SYSTEM)

No. □□	Part No. □□□□	QTY □□	PART NAME □□□□□□	SPECIFICATION □□
1	C51510000003	1	CARBURETOR ASSY (SETTING 115)	M2-150
2	16199GY69000	1	TUBE SET	
3	14029232201	1	VACUUM PISTON COMP	
4	N4254HGGN	1	JET NEEDLE COMP	
5	12298057000	1	VALVE PLATE SET	
6	1290A232000	1	SPG;COMPR	
7	10308737003	1	TOP SET	
8	01108031100	2	SCREW,PAN	
9	N42633C00	1	NEEDLE JET	M2-150
10	N41318C00	1	NEEDLE JET HOLDER	
11	991011161020	1	MAIN JET	
12	1001440H0381	1	SLOW JET	M2-150
13	16155ZG8L100	1	FLOAT VALVE SET	
14	10528622101	1	FLOAT COMP	
15	W952525250	1	ARM PIN	
16	K3500840100	1	FLOAT CHAMBER SET	
17	93500040121H	3	SCREW,PAN	
18	12308567001	1	HOLDER CAP	
19	40000940000	1	AUTO BYSTARTER SET	
20	938920400818	1	SCREW WASHER	
21	10908732001	1	SET PLATE	
22	10280547000	1	SEALING CAP	
23	12018302201	1	DIAPHRAGM COMP	
24	1290A072000	1	SPG;COMPR	
25	12308502000	1	COVER	
26	93500040101H	2	SCREW;PAN	



E6. 化油器  
CARBURETOR

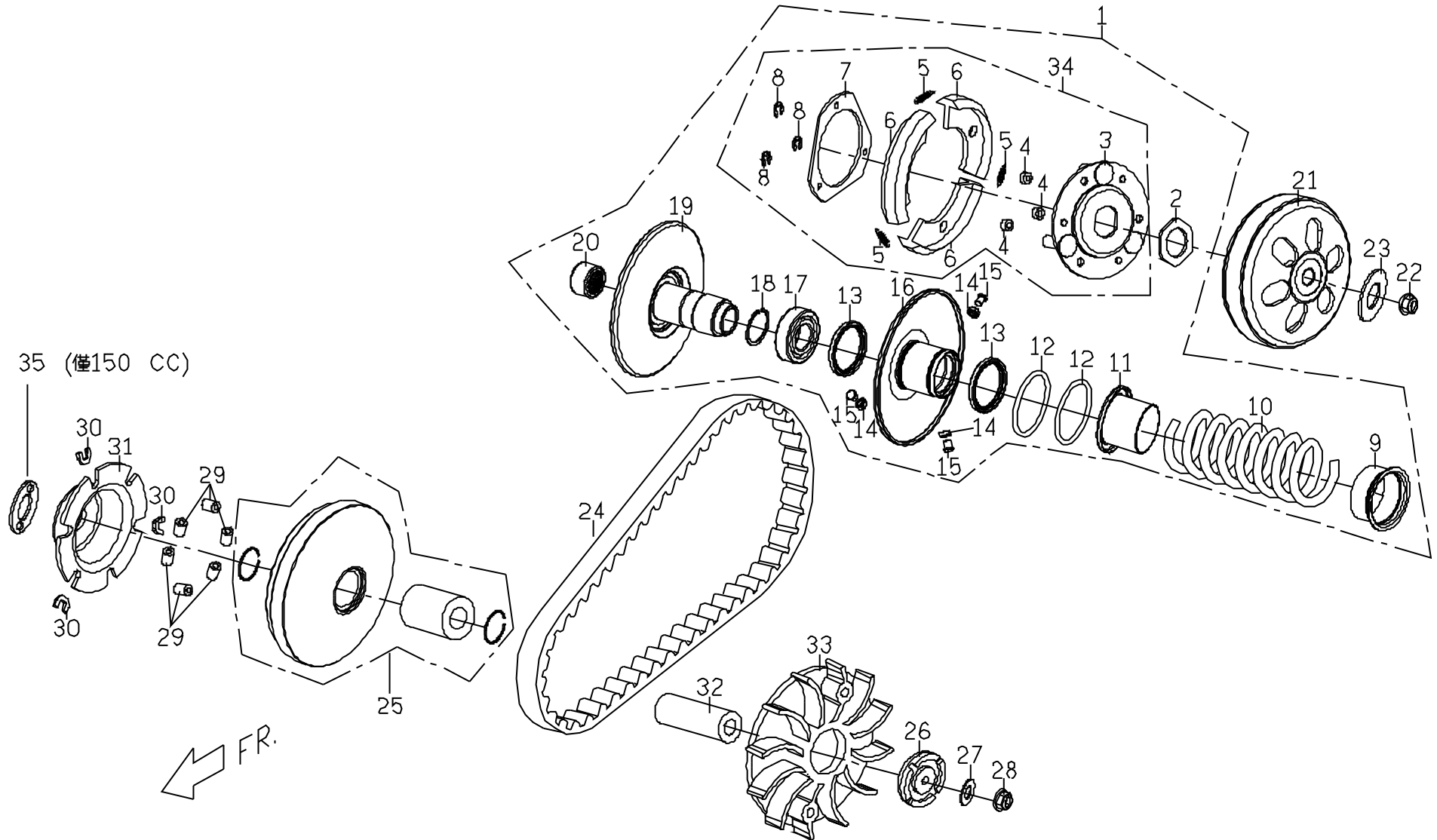


E6.2 □□□ □□EEC/(CARBURETOR ,W/H EEC SYSTEM)

No. □□	Part No. □□□□	QTY □□	PART NAME □□□□□□	SPECIFICATION □□
1	C51510000003	1	CARBURETOR ASSY (SETTING 115)	M2-150
2	16199GY69000	1	TUBE SET	
3	14029232201	1	VACUUM PISTON COMP	
4	N4254HGGN	1	JET NEEDLE COMP	
5	12298057000	1	VALVE PLATE SET	
6	1290A232000	1	SPG;COMPR	
7	10308737003	1	TOP SET	
8	01108031100	2	SCREW,PAN	
9	N42633C00	1	NEEDLE JET	M2-150
10	N41318C00	1	NEEDLE JET HOLDER	
11	991011161020	1	MAIN JET	
12	1001440H0381	1	SLOW JET	M2-150
13	16155ZG8L100	1	FLOAT VALVE SET	
14	10528622101	1	FLOAT COMP	
15	W952525250	1	ARM PIN	
16	K3500840100	1	FLOAT CHAMBER SET	
17	93500040121H	3	SCREW,PAN	
18	12308567001	1	HOLDER CAP	
19	40000940000	1	AUTO BYSTARTER SET	
20	938920400818	1	SCREW WASHER	
21	10908732001	1	SET PLATE	
22	10280547000	1	SEALING CAP	
23	12018302201	1	DIAPHRAGM COMP	
24	1290A072000	1	SPG;COMPR	
25	12308502000	1	COVER	
26	93500040101H	2	SCREW;PAN	

# E7 自動變速系統

## CVT TRANSMISSION

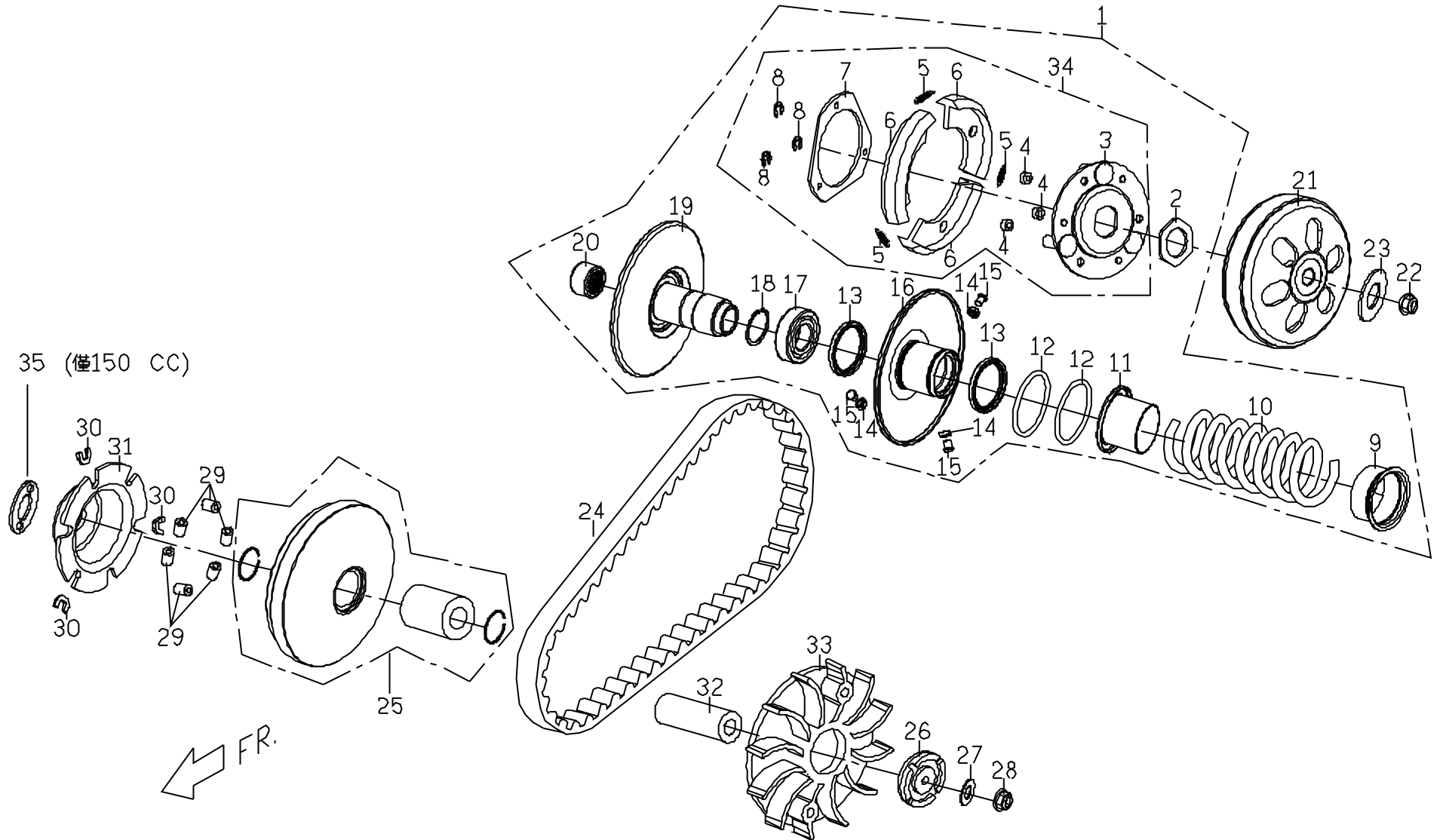


E7. PULLEY (DRIVING PULLEY )

No. □□	Part No. □□□□	Q'TY □□	PART NAME □□□□□□	SPECIFICATION □□
1	C5123701000	1	BELT PULLEY COMP,DRIVEN FACE	
2	P1123410000	1	NUT	
3	C1123300000	1	BODY COMP,DRIVE PLATE	
4	C1123420000	3	DAMPER RUBBER,CLUTCH	
5	C1123430000	3	SPRING,CLUTCH	
6	C51234400000	3	WEIGHT SET,CLUTCH	
7	C1123450000	1	PRESSURE PLATE,CLUTCH	
8	92180700000	3	RETAINING RING E TYPE	
9	C1123330000	1	COLLAR,SPRING	
10	C5123520000	1	SPG,DRIVEN FACE	
11	C1123530000	1	SEALED SOCKET	
12	95514000001	2	O-RING	
13	95593441400	2	OIL SEAL G TYPE	
14	C1123250000	3	BUSH	
15	C1123240000	3	PIN,GRIDE	
16	C1123210000	1	BODY COMP,DRIVEN FACE	
17	96520690200	1	DEEP GROOVE BALL BEAR ONE SEAL	
18	92162800000	1	RETAINING RING C TYPE	
19	C1123110000	1	DOBY COMP,DRIVEN FACE	
20	96550202900	1	NEEDLE BEARING	
21	C1123510000	1	OUTER BODY COMP,CLUTCH	
22	92041200002	1	HEXAGON FLANGE NUT	
23	92141200005	1	PLAIN WASHER	
24	C11220000001	1	V BELT	
25	C11211000001	1	FACE MOVABLE DRIVE	
26	C1251030000	1	RATCHET KICK STARTER	
27	92141200005	1	PLAIN WASHER	
28	92041200002	1	HEXAGON FLANGE NUT	

# E7 自動變速系統

## CVT TRANSMISSION

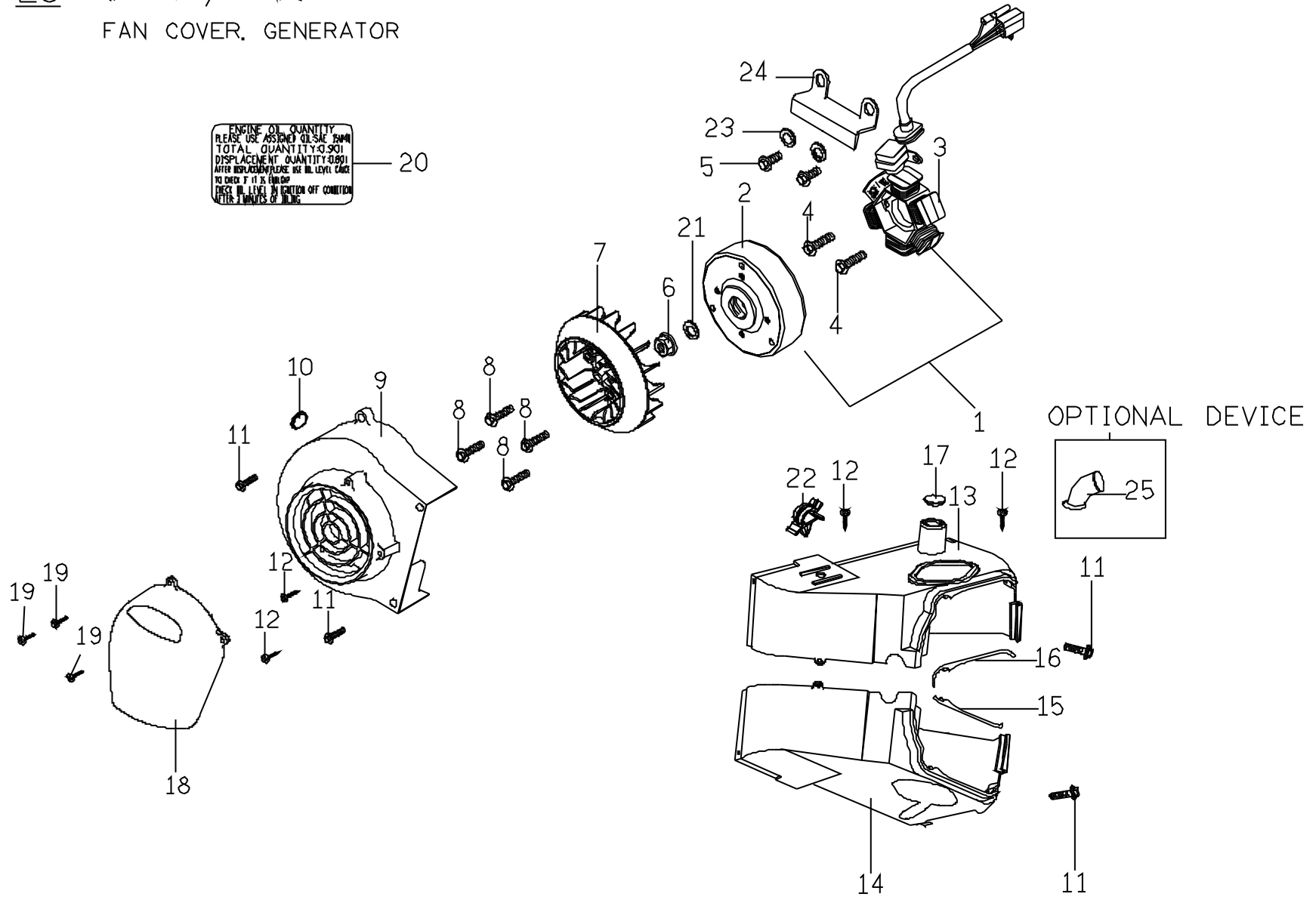


E7. DRIVING PULLEY

No. □□	Part No. □□□□	Q'TY □□	PART NAME □□□□□□	SPECIFICATION □□
29	C1121200000	6	WEIGHT ROLLER COMP.	M2-150
30	C1121321000	3	SIDE PIECE	
31	C1121310000	1	RAMP PLATE	
32	C1121050000	1	BOSS,MOVABLE DRIVE FACE	
33	C11210600001	1	DRIVE FACE	
34	C51236000000	1	DRIVEN PULLEY ASSY.	
35	C5066051000	1	DRIVEN PULLEY ASSY.	M2-150 ONLY

E8 發電機 / 風扇罩  
 FAN COVER, GENERATOR

ENGINE OIL QUANTITY  
 PLEASE USE ASSIEMET OILSAE 15W40  
 TOTAL QUANTITY 0.500L  
 DISPLACEMENT QUANTITY 0.800L  
 AFTER DISPLACEMENT PLEASE USE OIL LEVEL GAUGE  
 TO CHECK IF IT IS FULL OIL  
 CHECK OIL LEVEL IN CENTER OF CONNECTION  
 AFTER 2 HOURS OF RUNNING



E8 □□□□□□ (GENERATOR)

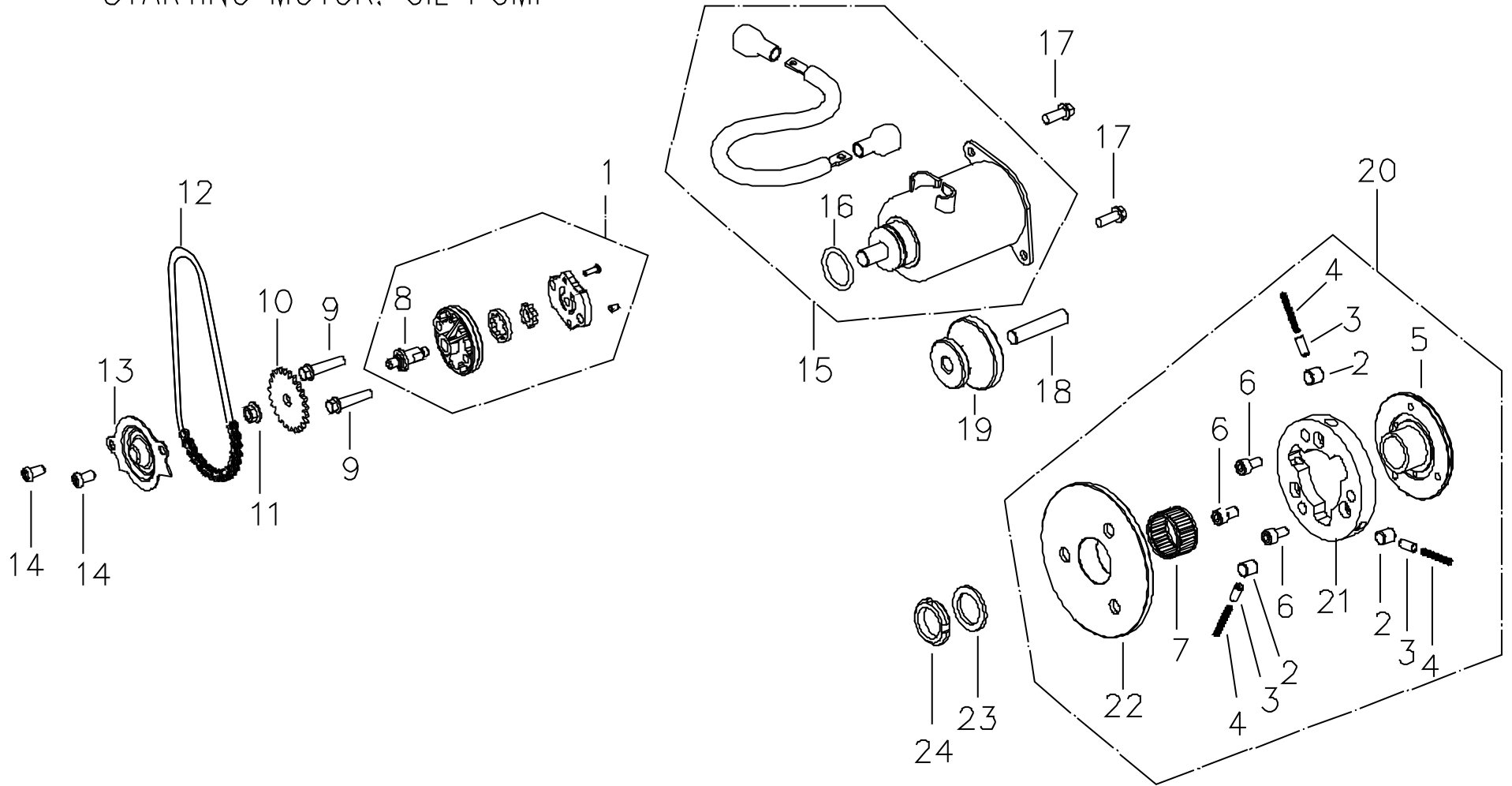
No. □□	Part No. □□□□	Q'TY □□	PART NAME □□□□□□	SPECIFICATION □□
1	C52210000001	1	DC GENERATOR ASSY	M2-150
2	C52210100001	1	FLYWHEEL COMP	M2-150
3	C2221020000	1	STATOR COMP	
4	90180602000	2	HEXAGON FLANGE BOLT	
5	90190501201	2	HEXAGON FLANGE BOLT	
6	92041200000	1	HEXAGON FLANGE NUT	
7	C1043001000	1	FAN	
8	90190601204	4	HEXAGON FLANGE BOLT	
9	C1042001000	1	FAN COVER	
10	C1042030000	1	RUBBER PLUG	
11	90180602000	4	HEXAGON FLANGE BOLT	
12	90130501400	4	CR PAN HD.TAPPING SCREW	
13	C50422110001	1	COOLING COWL(2)	M2-150
14	C5042102000	1	COOLING COWL(1)	M2-150
15	C1042120000	1	SEAL,COOLING HOOD(1)	
16	C1042220000	1	SEAL,COOLING HOOD(2)	
17	C1701260000	1	RUBBER PLUG	
18	C1042242000	1	FAN COVER'S COVER	
19	90110401600	3	CR PAN HD.TAPPING SCREW	
20	C16031300001	1	OIL NOTICE LABEL (ENGLISH)	
21	92141200005	1	PLAIN WASHER	
22	C1701290000	1	PLASTIC LOCKER	
23	92110500000	2	PLAIN WASHER	
24	C1706640000	1	ACG PLATE	
25	C1042270000	1	AIR PIPE	OPTIONAL FOR FROZEN AREA



E9

起動馬達

STARTING MOTOR, OIL PUMP

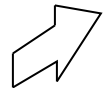


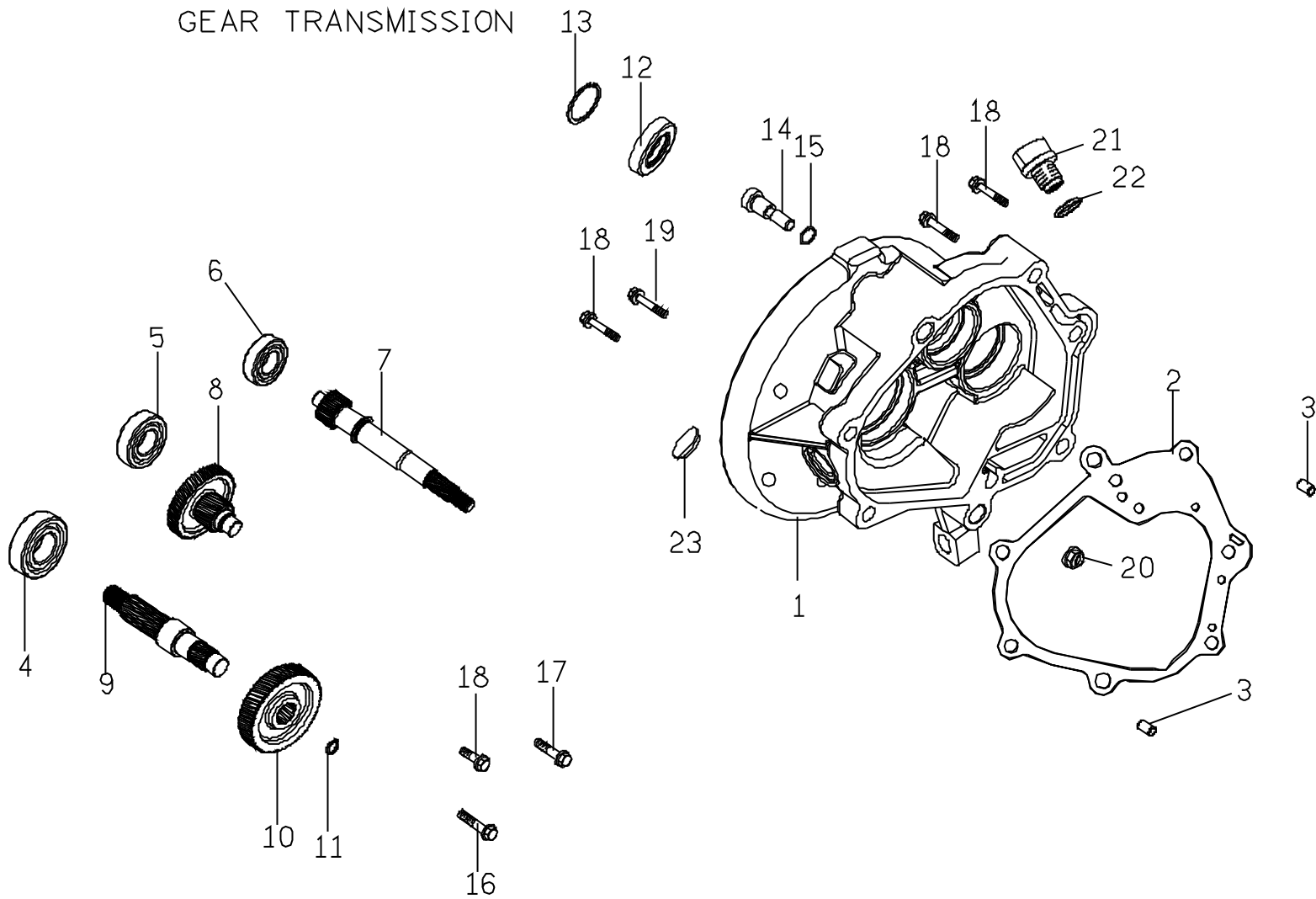
E9 . M2 STARTING MOTOR

No.	Part No.	Q'TY	PART NAME	REMARK
1	C1081000000	1	OIL PUMP ASSY	
2	C1243030000	3	ROLLER ONE WAY CLUTCH	
3	C1243020000	3	COP,ROLLER SPRING	
4	G1243010000	3	COMPRESS SPRING	
5	C12430500001	1	COVER CLUTCH OUTER	
6	90210801000	3	INNER HEX BOLT	
7	96590283200	1	NEEDLE BEARING	
8	C1081070000	1	SHAFT,OIL PUMP	
9	90190602700	2	HEXAGON FLANGE BOLT	
10	C1081030000	1	SPRKT OIL PUMP DRIVEN	
11	92040600000	1	HEXAGON FLANGE BOLT	
12	C1081220000	1	CHAIN,OIL PUMP	
13	C1081230000	1	SEPARATER OIL	
14	E1681030000	2	WITH WASHER HEX BOLT	
15	C1241000000	1	START MOOT COMP.	
16	95512400002	1	O RING	
17	90190601601	2	HEXAGON FLANGE BOLT	
18	C1242040000	1	SHAFT,STARTET REDUCTION GEAR	
19	C1242010000	1	GEAR,STARTER REOUCTION	
20	C12430000001	1	ONE WAY CLUTCH ASSY.	
21	NA	1	ONE WAY CLUTCH COMP.	
22	C1244000000	1	GEAR COMP.STARTING CLUTCH	
23	92142200000	1	PLAIN WASHER	
24	C1243060000	1	NUT LOCK	

# E10 傳動齒輪箱

GEAR TRANSMISSION

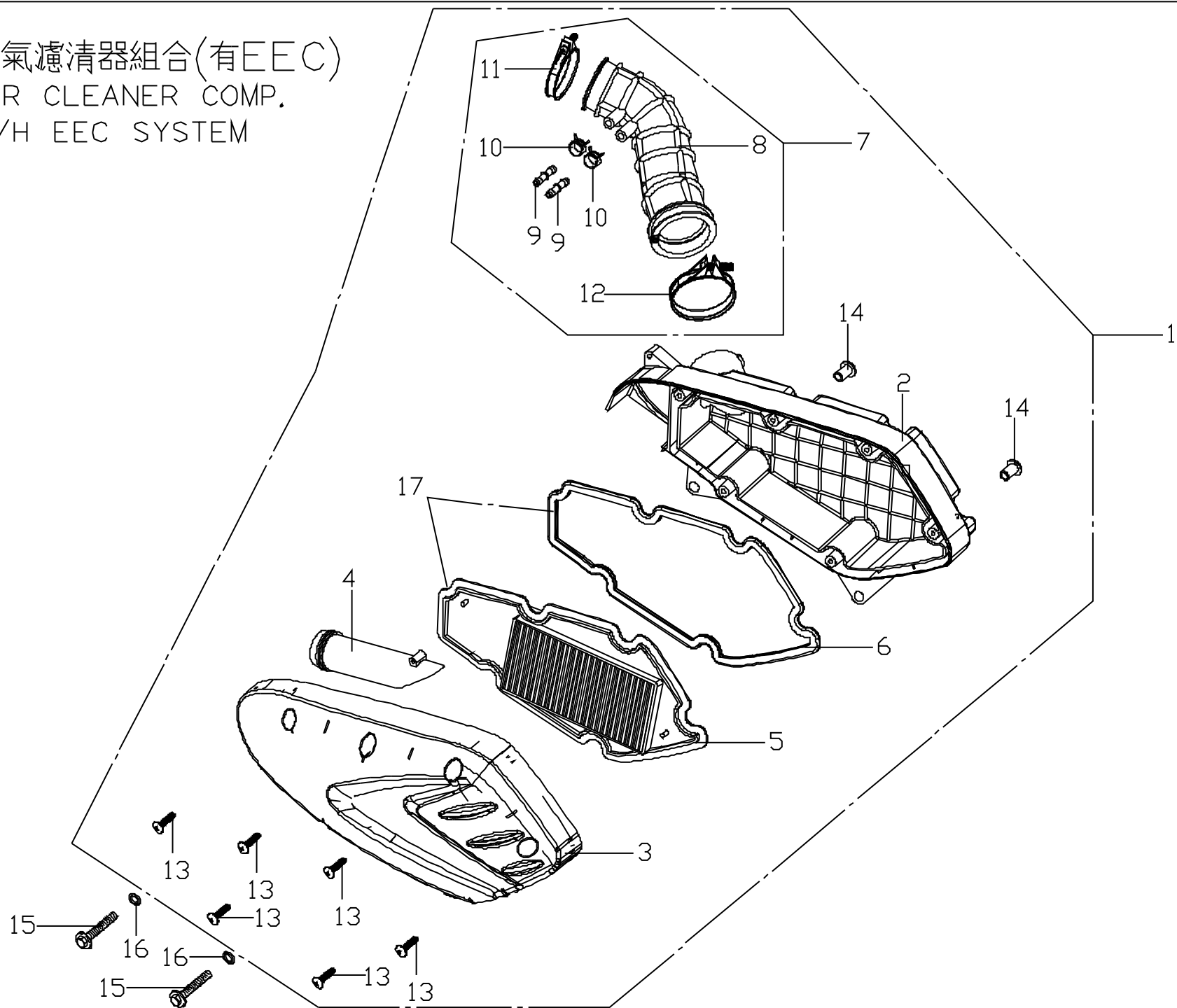
FR. 



E10. GEARBOX

No.	Part No.	Q'TY	PART NAME	REMARK
1	C2141011000	1	TRANSMISSION COVER	
2	C2141021000	1	TRANSMISSION COVER GASKET	
3	93541001401	2	LOCK PIN	
4	96510630100	1	BALL BEARING	
5	96510600200	1	BALL BEARING	
6	96530622200	1	BALL BEARING.DOUBLE SEALED	
7	C3141100000	1	DRIVE SHAFT	M2-150
8	C31412000001	1	IDLE GEAR COMP.	M2-150
9	C11414110001	1	AXLE DRIVE	
10	C11413100003	1	FINAL GEAR	M2-150
11	92172000000	1	RETAINING RING C TYPE	
12	95572742702	1	OIL SEAL TC TYPE	
13	92165000000	1	RETAINING RING C TYPE	
14	M2407430000	1	PIVOT REAR BK.SHDE	
15	95510800000	1	O RING	
16	90190805001	1	HEXAGON FLANGE BOLT	
17	90190804501	1	HEXAGON FLANGE BOLT	
18	90190804003	4	HEXAGON FLANGE BOLT	
19	90190802600	1	HEXAGON FLANGE BOLT	
20	92060800000	1	HEXAGON FLANGE NUT	
21	P1062150000	1	OIL BOLT	
22	95511300001	1	O-RING	
23	M2701070000	1	RUBBER PLUG	

E11.1 空氣濾清器組合(有EEC)  
AIR CLEANER COMP.  
W/H EEC SYSTEM

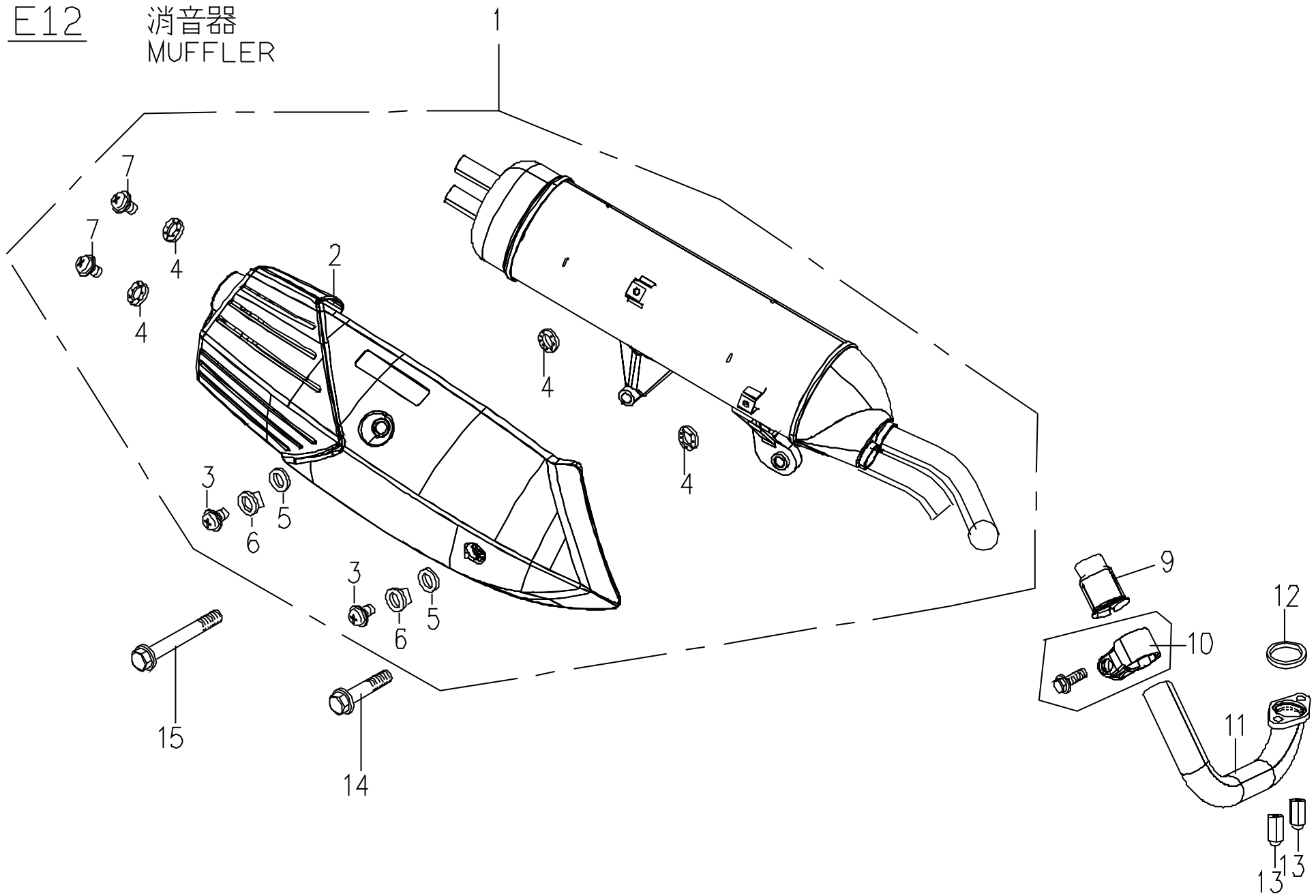


E11.1 AIR CLEANER COMP., / \_\_\_\_\_, EEC

No.	Part No.	Q'TY	PART NAME	REMARK
1	M22620010002	1	AIR CLEAN ASSEMBLY	M2-150
2	NA	1	AIR CLEANER BODY	
3	M2262020000	1	AIR CLEANER COVER	
4	M2262060000	1	INDUCT PIPE	
5	M2262030000	1	ELEMENT, AIR CLEANER	
6	M2262040000	1	PACKING	
8	M2262050000	1	OUTLET PIPE	M2-150
9	M2262360000	2	2 WAY CONNECTOR	
10	92221000001	2	PLAIN CLIP	
11	M2262110000	1	CLIP	
12	M2262380000	1	CLIP	
13	90150502500	6	TAPPING SCREW	
14	NE262060000	2	BUSH	
15	90190603000	2	HEXAGON FLANGE BOLT	
16	92140600005	2	PLAIN WASHER	
17	M2262070000	1	ELEMENT & PACKING ASSY.	

E12

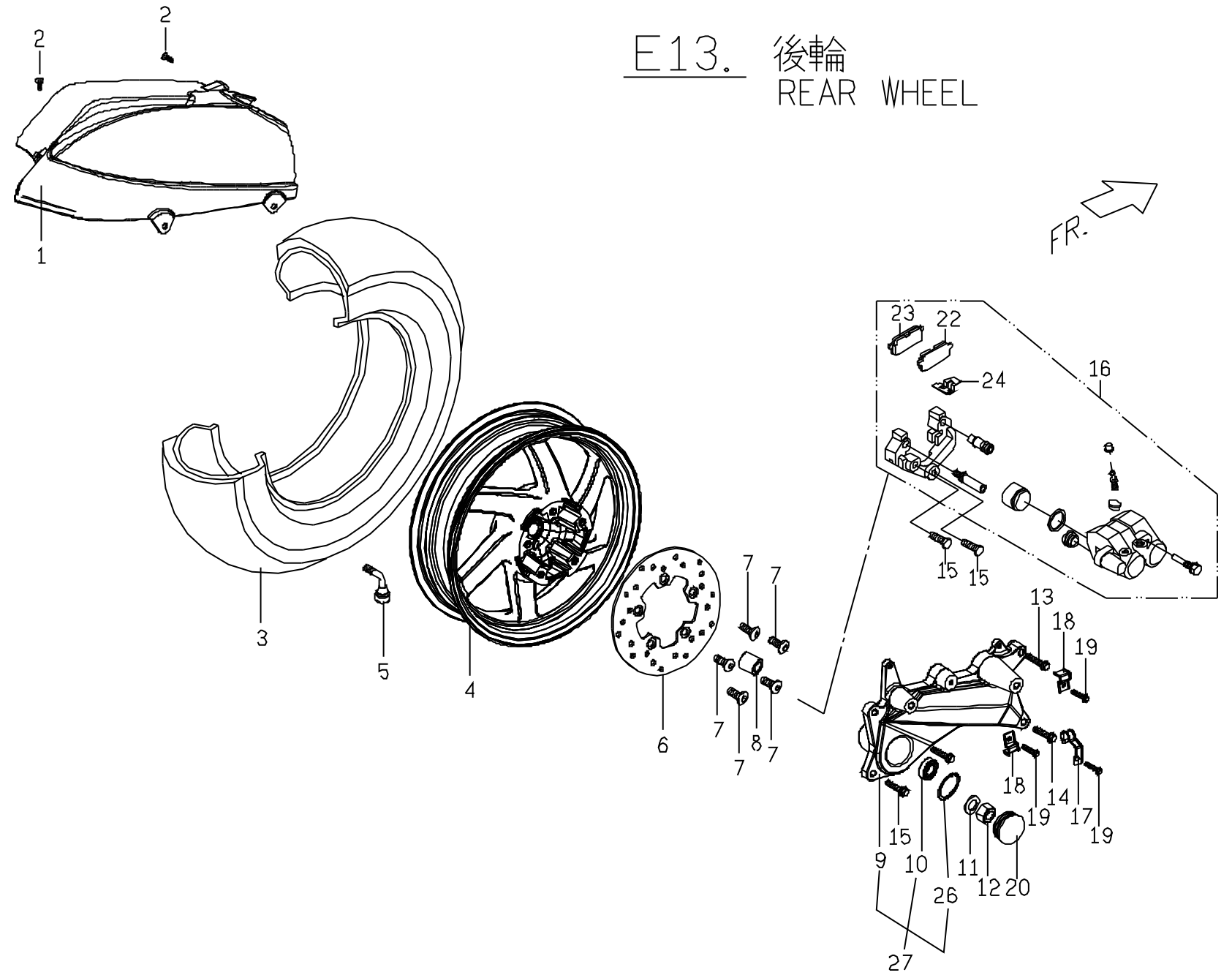
消音器  
MUFFLER







E13. 後輪  
REAR WHEEL

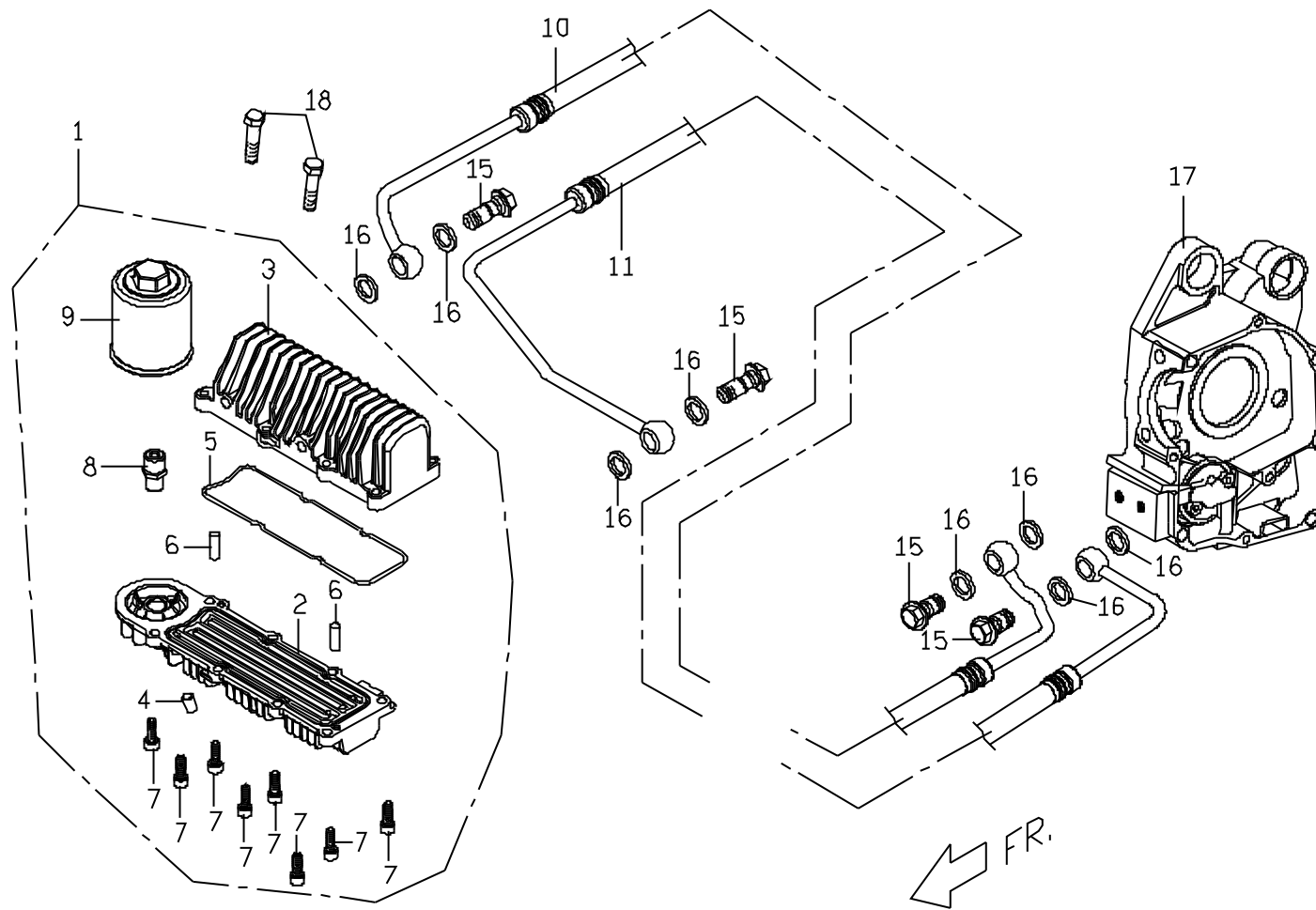


E13. / / ENGINE REAR WHEEL

No.	Part No.	Q'TY	PART NAME	REMARK
1	M2634000650	1	REAR FENDER	
2	90130501400	2	CR PAN HD.TAPPING SCREW	
3	M240G320000	1	REAR TIRE	after-service part
4	M24061012R00	1	REAR WHEEL RIM	ORANGE
5	P140B330000	1	VALVE	
6	M2406800000	1	REAR BRAKE DISK	
7	C1403510000	5	SCREW, FR BRAKE DISK(M8*1.25P*24L)	
8	M2406840000	1	BUSH	
9	M2406833000	1	REAR ENGINE BRACKET	
10	96530600300	1	BALL BEARING, DOUBLE SEALED	
11	92141600002	1	WASHER	
12	92011600000	1	U TYPE SPRING NUT	
13	90190804501	1	HEXAGON FLANGE BOLT	
14	90190804501	1	HEXAGON FLANGE BOLT	
15	90190802300	2	HEXAGON FLANGE BOLT	
16	M24066027705	1	REAR BRAKE CALIPER	
17	M2403720000	1	BRAKE TUBE CLAMP (B)	
18	M2403710000	2	BRAKE TUBE CLAMP (A)	
19	90190602002	3	HEXAGON FLANGE BOLT	
20	M2701050000	1	RUBBER PLUG	
22	M240F1500005	1	INNER PAD	
23	M240F1600005	1	OUTTER PAD	
24	M240F0800005	1	YOKE	
25	M2403701000	1	REAR BRAKE HOSE	
26	92163500000	1	C CLIP	
27	M2406823000	1	REAR ENGINE BRACKET ASSY.	

# 機油冷卻器

## E14. OIL COOLER & LH COVER

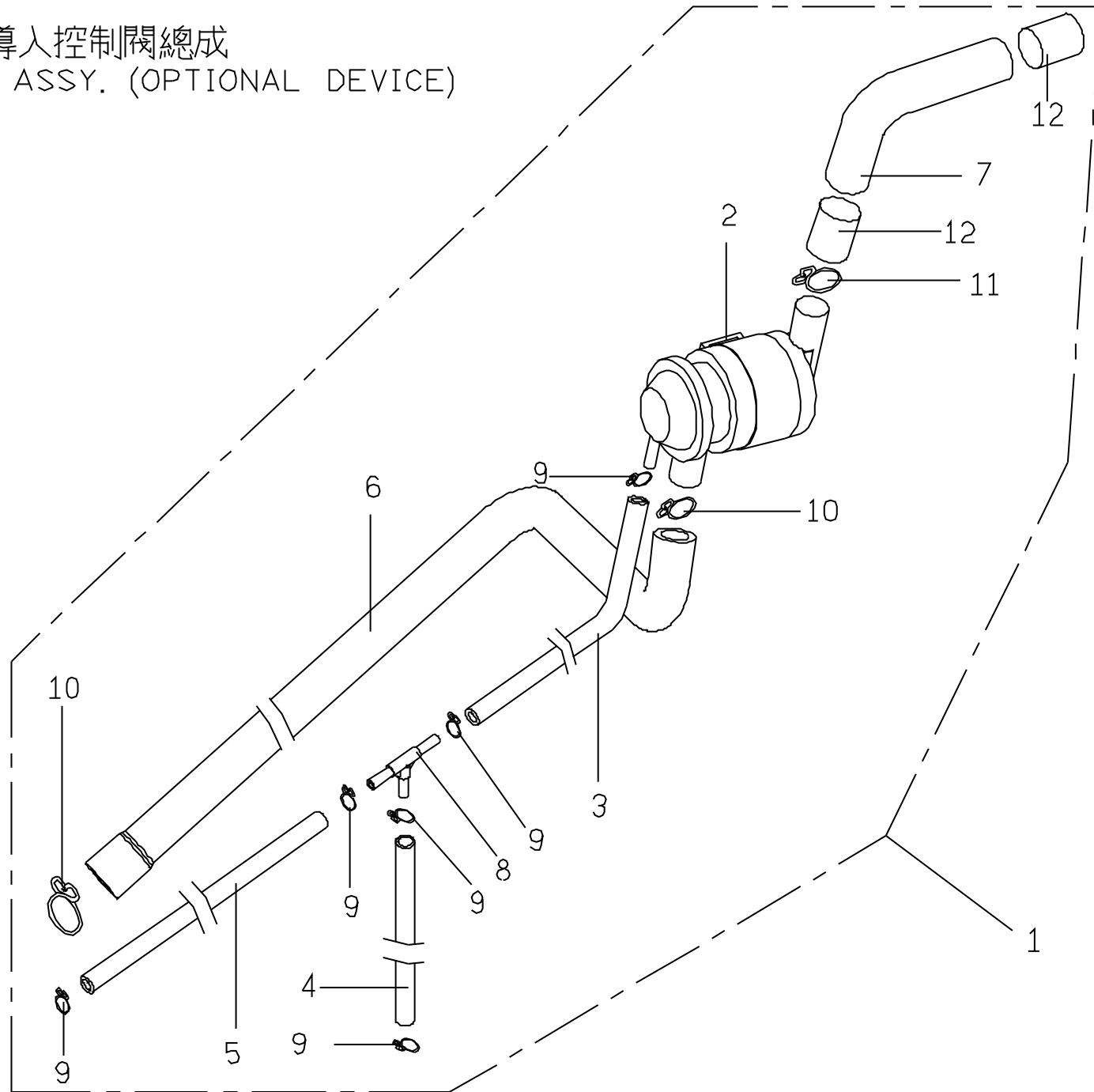


E14. OIL COOLER

No.	Part No.	QTY	PART NAME	REMARK
1	C5083010000	1	OIL COOLER ASSY.	
2	C5083020000	1	RADIATOR, UPPER	
3	C5083030000	1	RADIATOR, LOWER	
4	G1061070000	1	OIL PLUG	
5	C5083040000	1	OIL SEAL	
6	93560401000	2	LOCK PIN	
7	90210601800	8	HEXAGON SOCKET HD. CAP SCREW	
8	C5083080000	1	OIL FILTER JOINT	
9	C1082020000	1	OIL FILTER	
10	F30830510000	1	OIL COOLER PIPE(1)	
11	F30830610000	1	OIL COOLER PIPE(2)	
15	C5083070000	4	OIL PASS BOLT	
16	92141200006	8	PLAIN WASHER	
17	C50610000001S	1	RH CRANKCASE ASSY.	M2-150
18	90190807500	2	HEXAGON FLANGE BOLT	

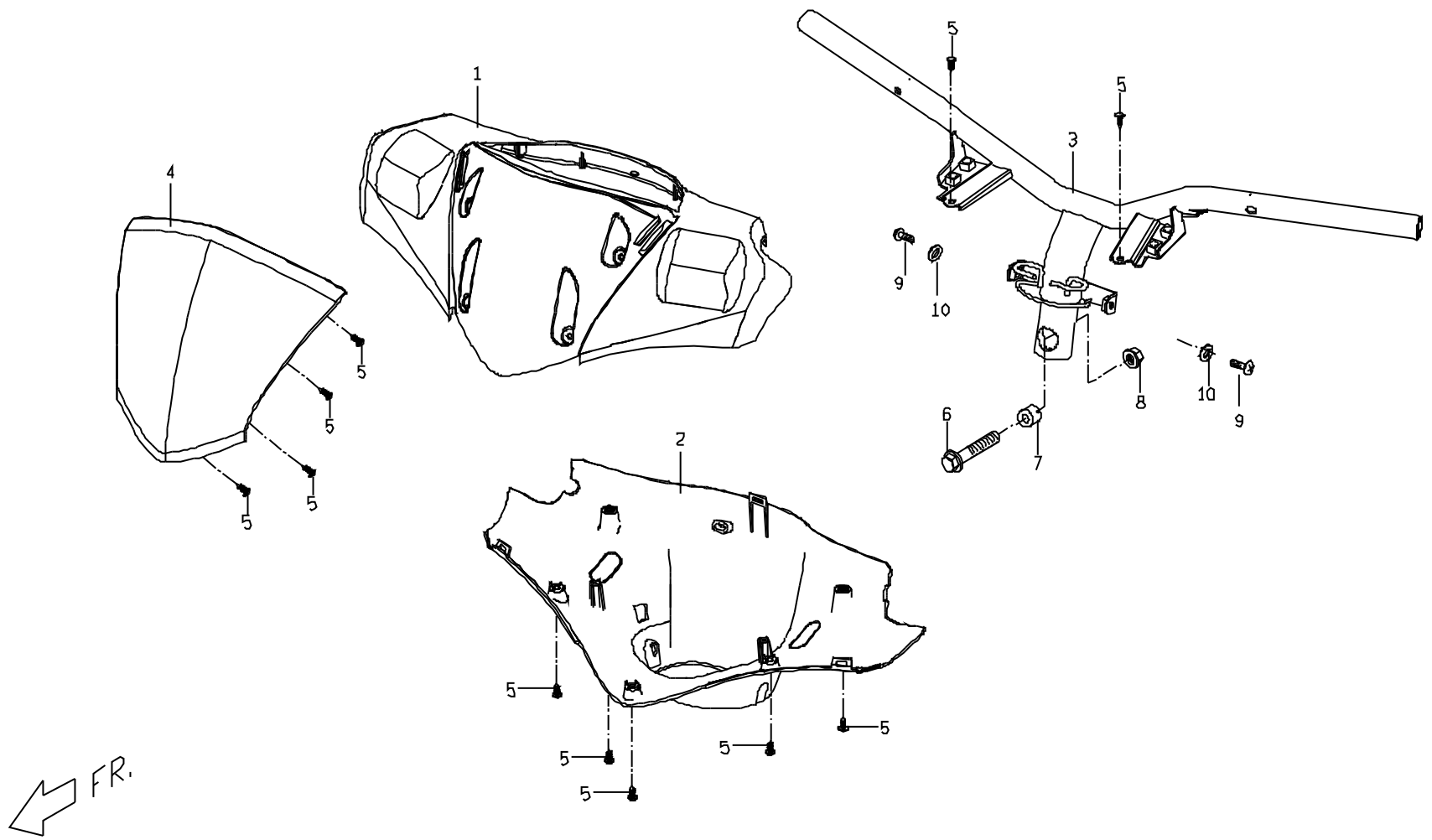
E15

空氣導入控制閥總成  
AIAC ASSY. (OPTIONAL DEVICE)





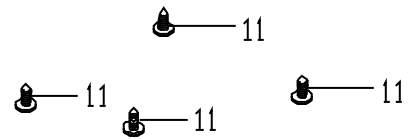
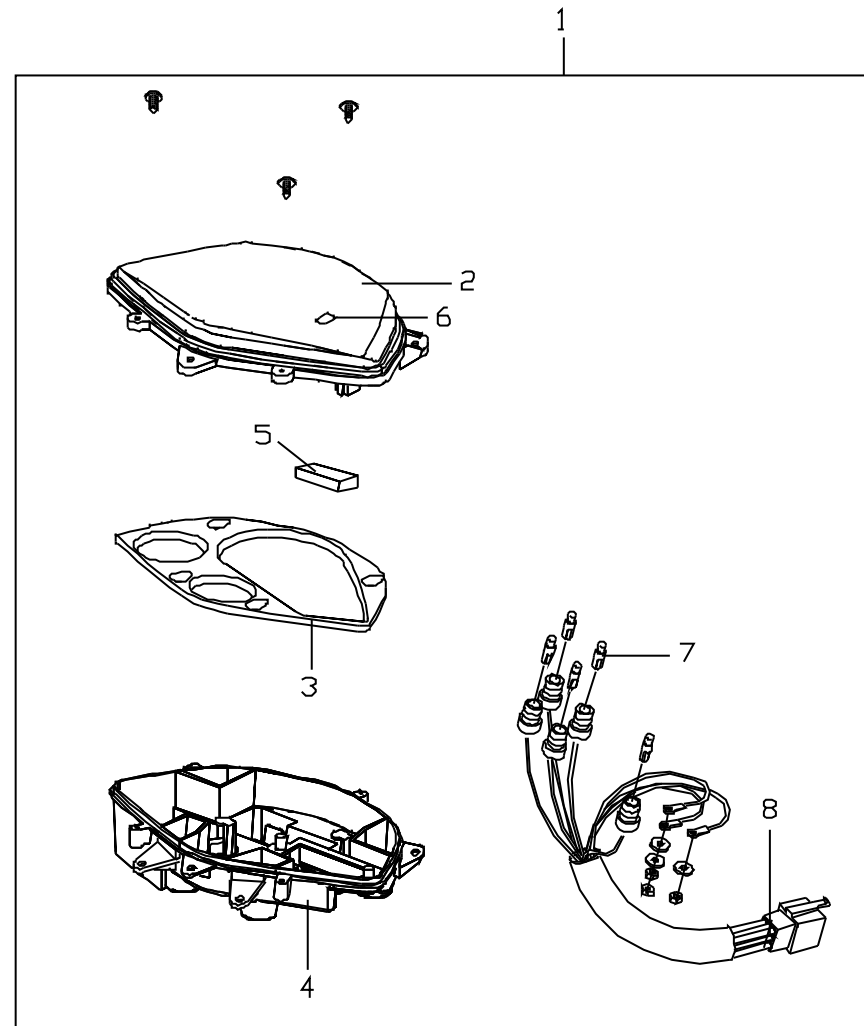
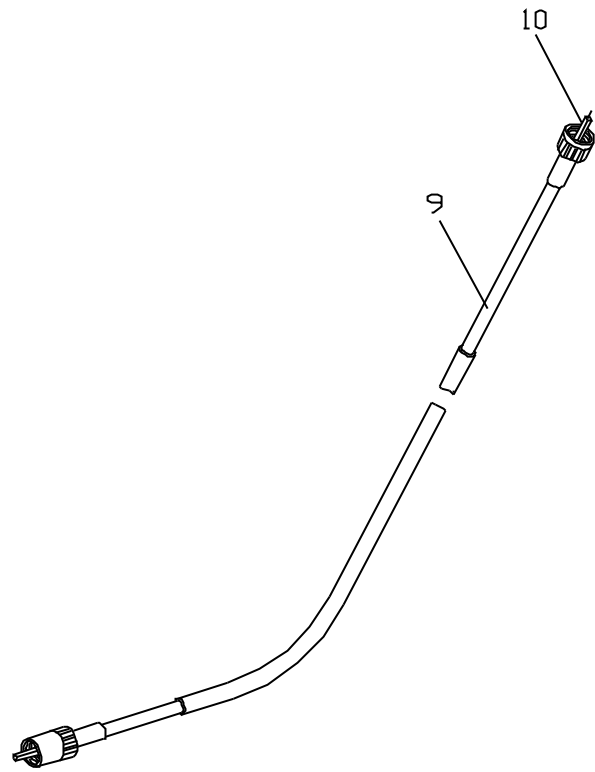
F1 方向把手前後蓋。方向把手管。遮陽板  
COVERUPPER&LOWER.HANDLE BAR.  
SUN PLATE.





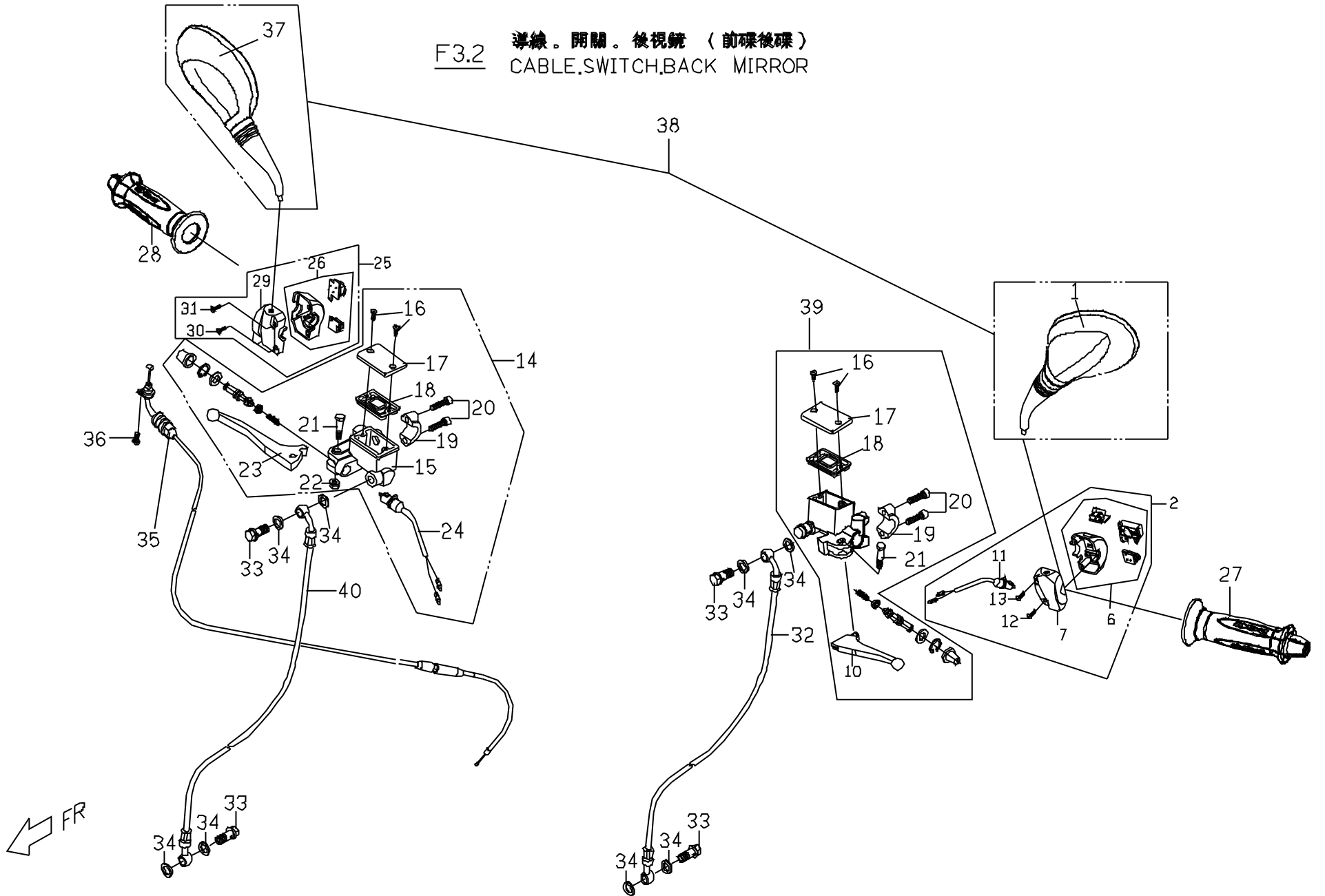


F2 碼 錶  
SPEEDOMETER



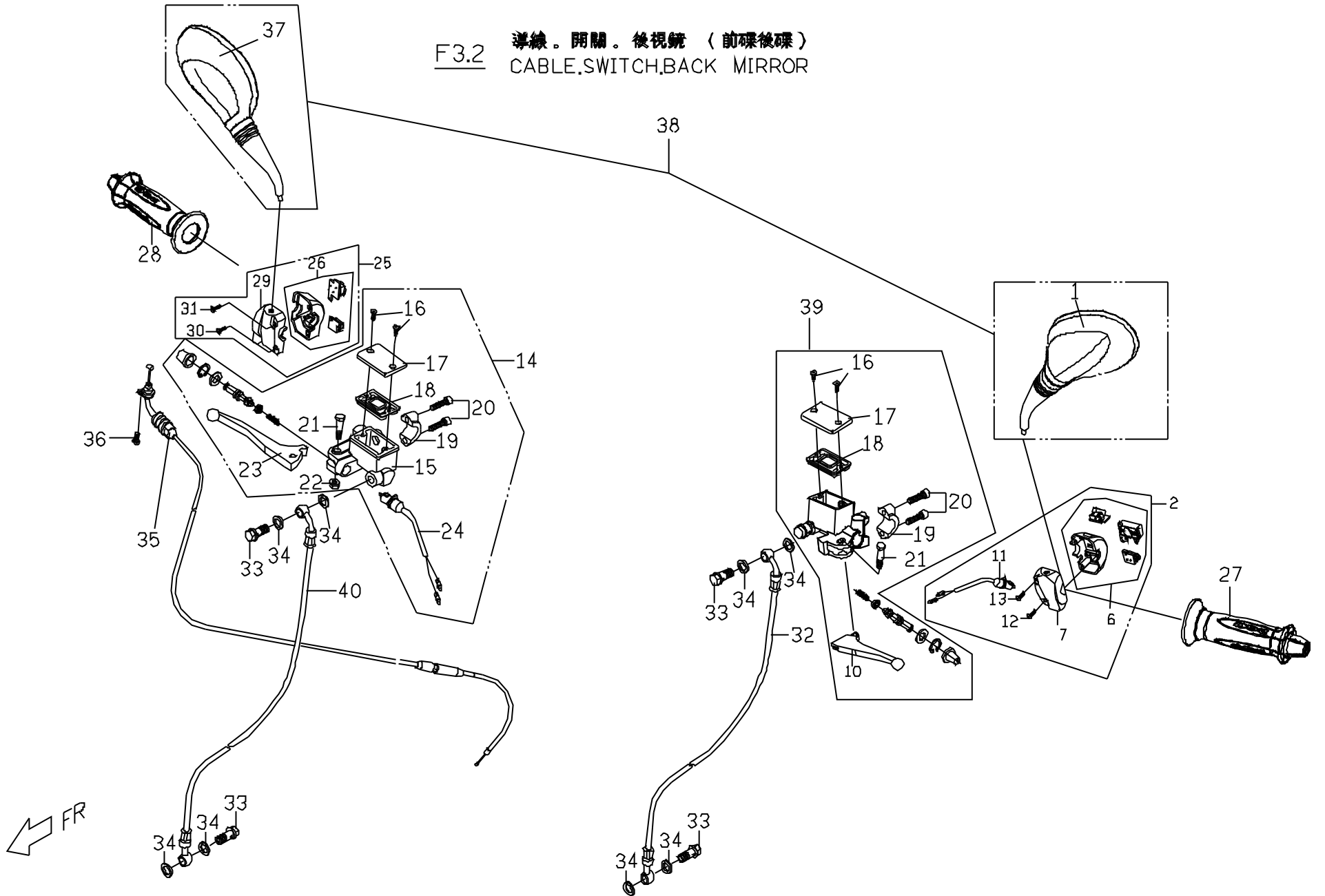


F3.2 導線。開關。後視鏡 (前碟後碟)  
CABLE, SWITCH, BACK MIRROR



No.	Part No.	Q'TY	PART NAME	REMARK
1	P261F010000	1	LH BACK MIRROR	
2	M2546000000	1	HANDLEBAR SWITCH ASSY, LH	
6	C254F0300005	1	CASE,SWITCH UNDER 2 ASSY.	
7	M254F020000	1	CASE,SWITCH UNDER 1	
10	M240C190000	1	LEVER,LH BRAKE	
11	M25480300000	1	STOP SWITCH COMP	
12	P154F390000	1	SCREW,PAN HEAD	
13	P154F400000	1	SCREW,PAN HEAD	
14	M24030020000	1	MASTER CYLINDER, FR BRAKE	
16	P140C130000	2	SCREW	
17	P140C120000	1	CAP,RESERVOIR	
18	P140C110000	2	DIAPHRAGM,RESERVOIR	
19	P140C240000	2	BRACKET,MASTER CYLINDER	
20	P1402500000	2	HEX SOCKET HEAD BOLT	
21	P140C220000	2	BOLT	
22	P140C230000	2	FLANGE NUT	
23	M240C190000	1	LEVER,RH BRAKE	
24	M25480300000	1	SWITCH COMP	
25	P25480000001	1	SWITCH ASSY.RH HANDLEBAR	
26	P254H0100001	1	CASE,SWITCH UNDER 2 ASSY.	
27	C25410000001	1	GRIP ASSY, LH	
28	C25420000001	1	GRIP ASSY, RH	
29	P154H020000	1	CASE,SWITCH UNDER 1	
30	P154F400000	1	C-R ROUND HD TAPPING	
31	P154F390000	1	C-R ROUND HD TAPPING	
32	M2403701000	1	REAR BRAKING TUBE	
33	P14038110000	1	JOINT BOLT,BRAKE HOSE	
34	92141000002	4	PLAIN WASHER	

F3.2 導線。開關。後視鏡 (前碟後碟)  
CABLE, SWITCH, BACK MIRROR

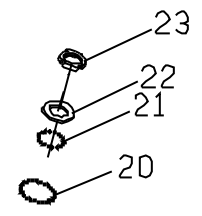
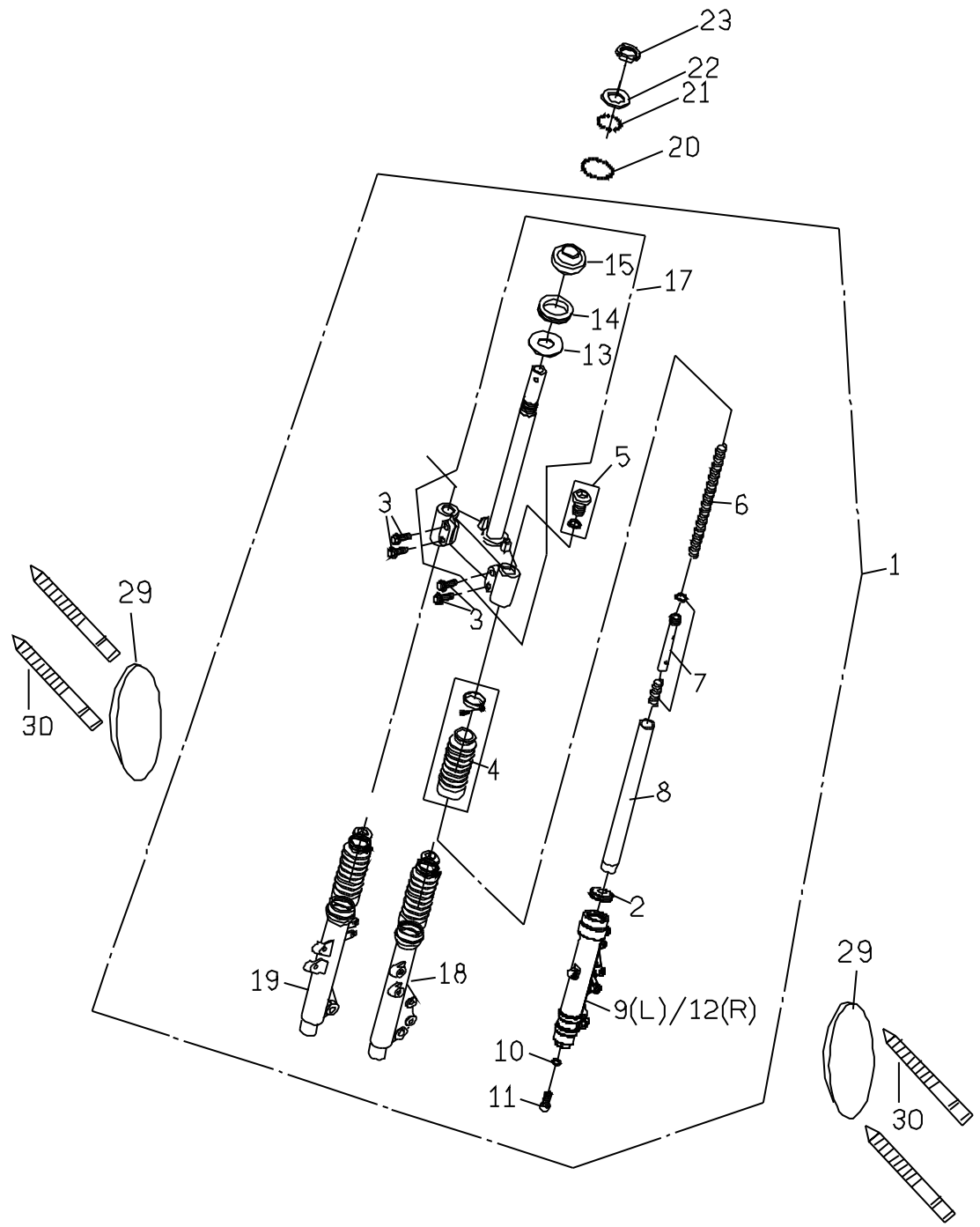
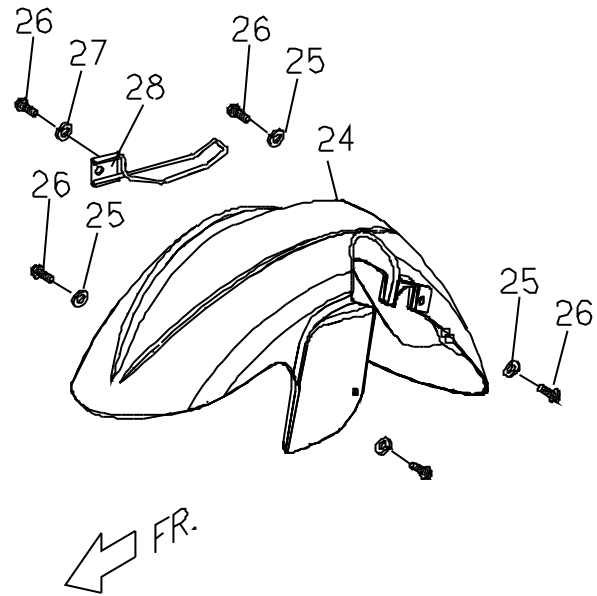


F3.2 / / / CABLE.SWITCH.BACK MIRROR

(M2-125/150)

No.	Part No.	Q'TY	PART NAME	REMARK
35	M2544600000	1	THROTTLE CABLE	
36	90040501200	1	CR PAN HD MACHINE SCREW(M5*12L)	
37	P261F020000	1	RH BACK MIRROR	
38	P2616000000	1	BACK MIRROR COMP	
39	M24063030000	1	REAR BRAKING MASTER CYLINDER	
40	M24036010000	1	FRONT BRAKE TUBE	

F4. 前叉 (GMAX)  
FRONT FORK

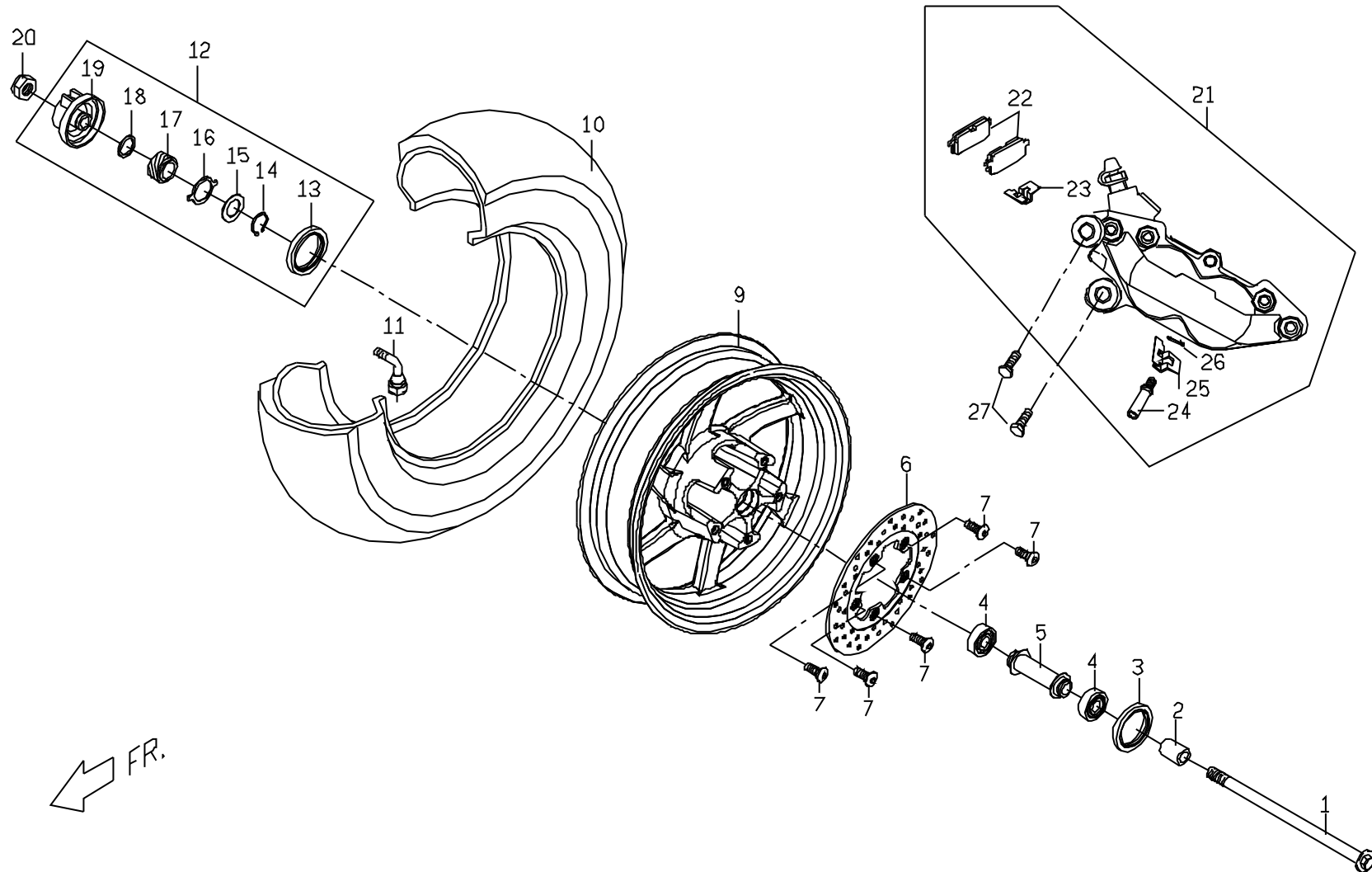


F4.2 FRONT FORK / M2-125 & M2-150

No.	Part No.	Q'TY	PART NAME	REMARK
1	M2443002720	1	FRONT FORK ASSY	
2	C144C160000	2	OIL SEAL	
3	C144C030000	4	HEXAGON BOLT	
4	C144C040000	2	BOOT	
5	C144C050000	2	BOLT ASSY.	
6	M244C061000	2	SPRING, FRONT FORK	
8	C144C080000	2	INNER.TUBE COMP	
10	C144C100000	2	PLAIN WASHER	
11	C144C110000	2	HEXAGON BOLT	
13	C144C130000	1	GASKET	
14	P244C040000	1	COVER	
15	C144C150000	1	INNER BEARING CAGE	
17	M244C200000	1	UNDER BRACKET,COMP.	
18	M244C210000	1	TUBE COMP. LH	
19	M244C220000	1	TUBE COMP. RH	
20	99010600000	19	BEARING BALL(1/4")	
21	99010400000	26	BEARING BALL	
22	E1444050000	1	UPPER RING-SHAPE NUT	
23	E1444040000	1	STEERING SHAFT LOCK NUT	
24	M26320016B0	1	FR FENDER	BLACK
25	92140600018	5	PLAIN WASHER	
26	90040601600	6	CR PAN HD MACHINE SCREW	
27	92110600000	5	SPRING WASHER	
28	M2544020000	1	SPEEDMETER CABLE CLIP COMP (R)	
29	P26690000001	2	REFLECTOR	
30	E1701031000	4	TIE BAND	



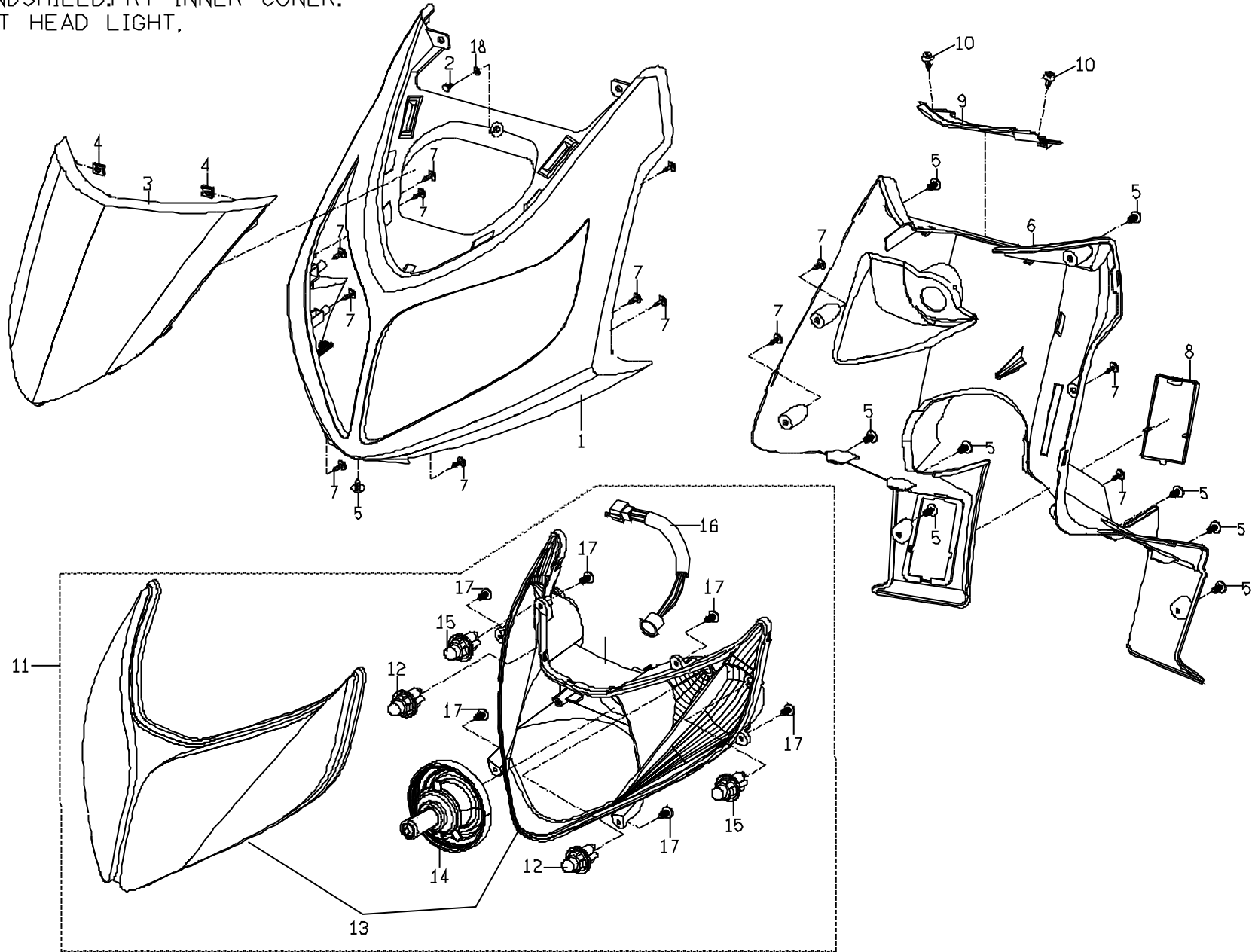
F5.2 輪胎。前輪圈。碟式煞車夾 (125/150c,c)  
TIRE.FRT WHEEL.FRT CALIPER.



F5.2 , /TIRE.FRT WHEEL.FRT CALIPER. M2-125/M2-150

No.	Part No.	Q'TY	PART NAME	REMARK
1	C14025010000	1	AXLE , FR WHEEL	
2	P1401010000	1	SPACER	
3	95572235700	1	OIL SEAL, TC TYPE	
4	96520620100	2	ONE SHIELD BALL BEARING	
5	P9402401000	1	SPACER	
6	M2403501000	1	BRAKING DISK	
7	C1403510000	5	SCREW, FR BRAKE DISK(M8*1.25P*24L)	
9	M24011012R00	1	FRT WHEEL	ORANGE
10	M240B320000	1	FRT TIRE	after-service part
11	P140B330000	1	VAVLE	
12	P1566002000	1	METER GEAR ASSY	
13	95574052600	1	OIL SEAL	
14	92171800000	1	C CLIP	
15	92141900001	1	PLAIN WASHER	
16	P1566050000	1	PAD	
17	P1566040000	1	SPEEDOMETER GEAR	
18	92141900002	1	PLAIN WASHER	
20	92061200001	1	LOCK NUT(M12*1.25P)	
21	M2403301000	1	BRAKE CALIPER, FRONT	
22	M240C010000	1	PAD ASSY.	
23	M240C020000	1	YOKE SPRING	
24	M240C040000	1	SPRING PIN	
26	M240C030000	1	CLIP	
27	90191004003	2	HEXAGON FLANGE BOLT (M10*40L)	

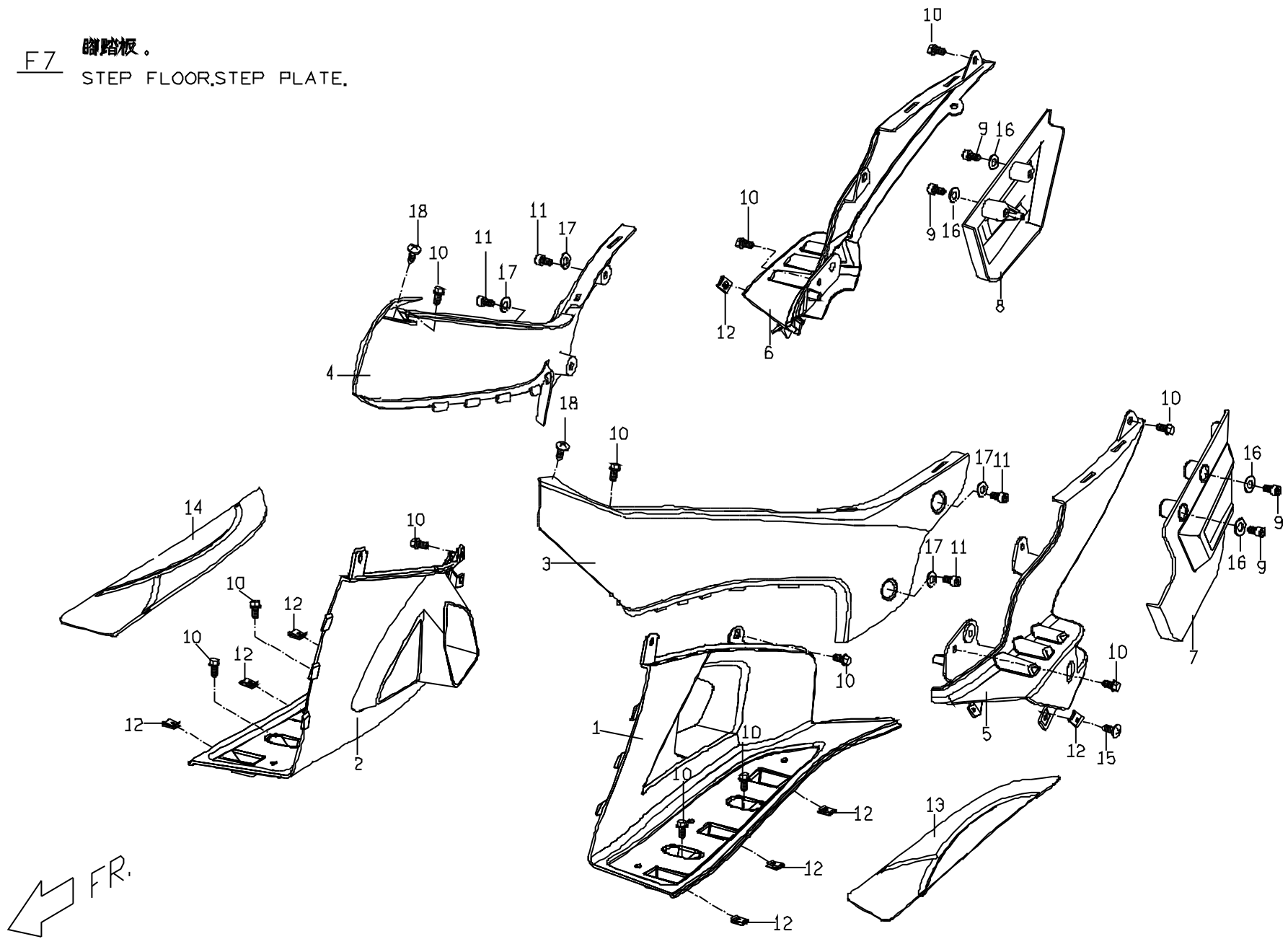
F6 擋風板。前內蓋。前大燈  
WINDSHIELD.FRT INNER CONER.  
FRT HEAD LIGHT,



F6 / / /WINDSHIELD.FRT INNER CONER. FRT HEAD LIGHT.

No.	Part No.	Q'TY	PART NAME	REMARK
1	M26210006B0	1	WIND SHIELD	BLACK
2	90040601400	2	CR PAN HD MACHINE SCREW(M6*14L	
3	M2621010690	1	WINSHIELD,OUTER COVER	BLACK
4	92370500003	2	U TYPE SPRING NUT	
5	90130501400	9	CR TRUSS HD TAPPING SCREW (M5*16L)	
6	M262C0226500	1	INNER COVER,FRT	
7	90130501400	4	CR ROUND HD TAPPING SCREW (M5*14L)	
8	M2623010650	1	COVER,VIN	
9	M2623020650	1	PANEL,FRT.INNER COVER	
10	M2701010000	2	PUSH RIVET	
11	M26610000002	1	HEAD LIGHT ASSY.	SAE
12	98231230001	2	POSITION LAMP (INSIDE, 3W)	SAE
13	M266A0200002	1	DUMMY HEADLAMP ASSY.	SAE
14	98151235351	1	HEADLAMP BULB (35/35W)	SAE
15	98231230001	2	POSITION LAMP (OUTSIDE,3W)	SAE
16	M266A0100002	1	WIRE ASSY.	SAE
17	90130501400	6	CR ROUND HD TAPPING SCREW (M5*14L)	
18	92140600005	1	WASHER (6.4D*13D*1T)	

F7 脚踏板。  
STEP FLOOR, STEP PLATE.

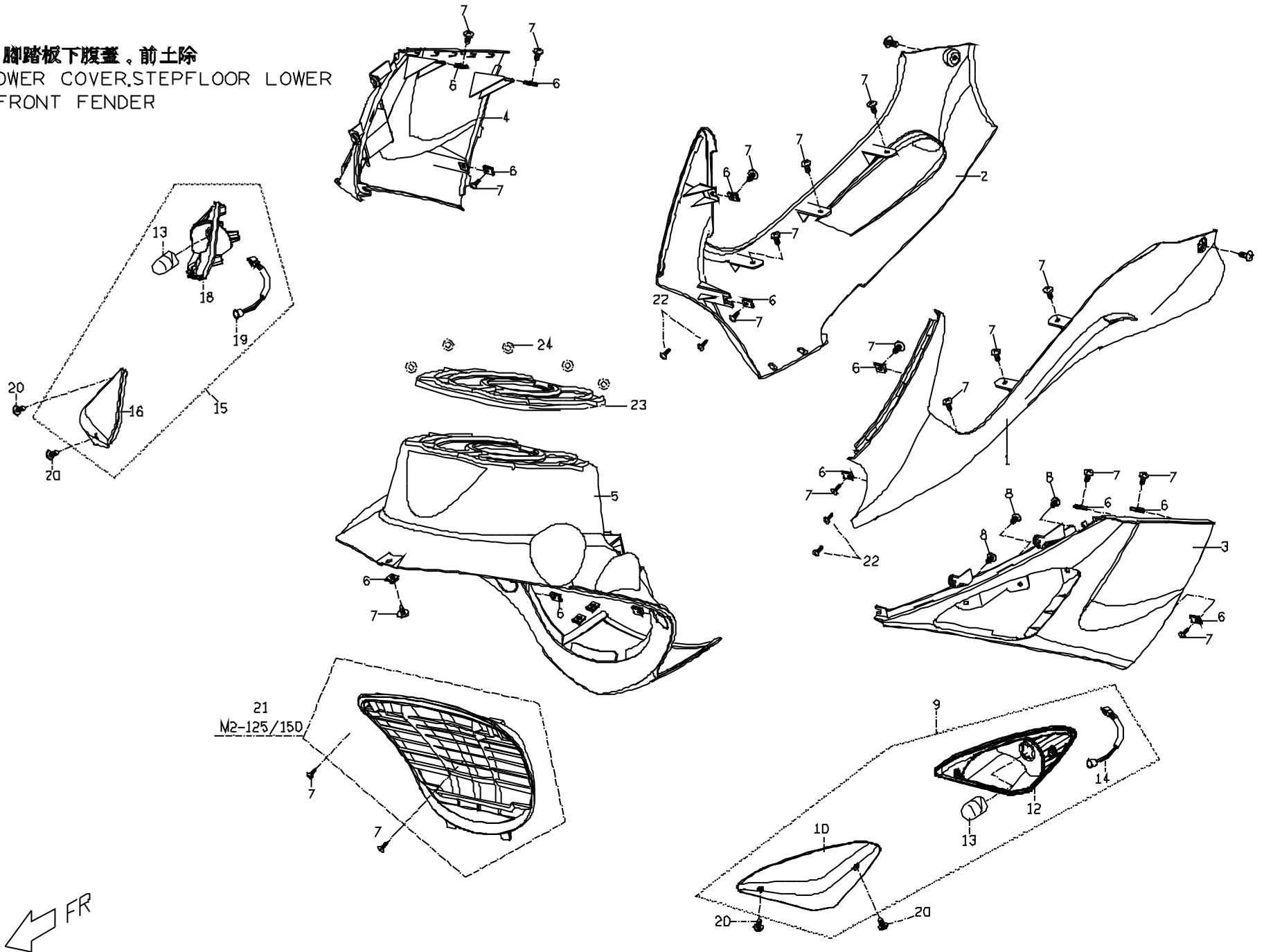




F8

前下蓋。脚踏板下腹蓋。前土除

FRT LOWER COVER,STEPFLOOR LOWER COVER,FRONT FENDER

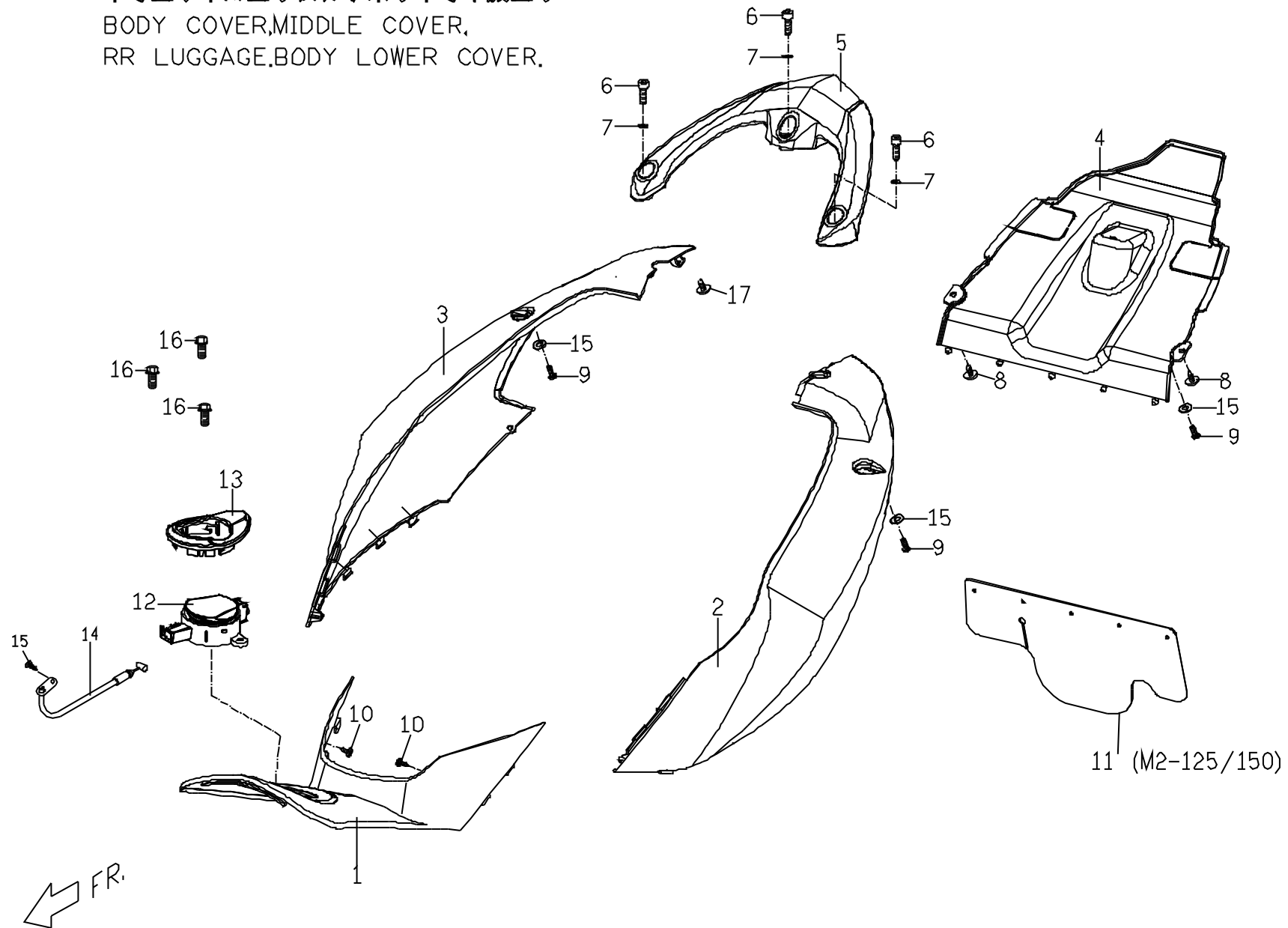


F8 / / / FRT LOWER COVER.STEPPFLOOR LOWER COVER.FRONT FENDER

No.	Part No.	Q'TY	PART NAME	REMARK
1	M26263006B0	1	LOWER COVER(LEFT)	BLACK
2	M26265016B00	1	LOWER COVER(RIGHT)	BLACK
3	M26213006B0	1	TURN SIGNAL FRONT ASSY,INNER COVER(LH)	BLACK
4	M262A3006B0	1	TURN SIGNAL FRONT ASSY,INNER COVER(RH)	BLACK
5	M2633001650	1	LOWER COVER,FRONT	
6	92370500003	6	U TYPE SPRING NUT	
7	90130501400	2	CR TRUSS HD TAPPING SCREW (M5*16L)	
8	90130501400	6	CR ROUND HD TAPPING SCREW (M5*14L)	
9	M266C1210001	1	SIGNAL LAMP ASSY., LH	E-MARK,EURO
10	M266C020000	1	LAMP COVER, LH	
12	M266C010000	1	SIGNAL LAMP BASE, LH	
13	98241216001	2	BULB (WHITE)	16W,E-MARK
14	M266C0600001	1	CONNECTING WIRE, LH	
15	M266D1210001	1	TURN SIGNAL FRONT COMP.,RH	E-MARK,EURO
16	M266D020000	1	LAMP COVER, RH	
18	M266D010000	1	SIGNAL LAMP BASE, RH	
19	M266D0600001	1	CONNECTING WIRE, RH	E-MARK,EURO
20	M266C050000	4	TAPPING SCREW	
21	M2626030650	1	COOLING COVER	M2-125/M2-150
22	90130501400	6	CR PAN HD TAPPING SCREW(M5*14L)	
23	M2701090000	1	ANTI-WATER RUBBER	
24	E9666080000	5	FIXTURE CLAMP	



F9 車身蓋。中間蓋。後行李架。車身下腹蓋。  
BODY COVER,MIDDLE COVER,  
RR LUGGAGE,BODY LOWER COVER.



F9 / / / / BODY COVER.MIDDLE COVER. RR LUGGAGE.BODY LOWER COVER.

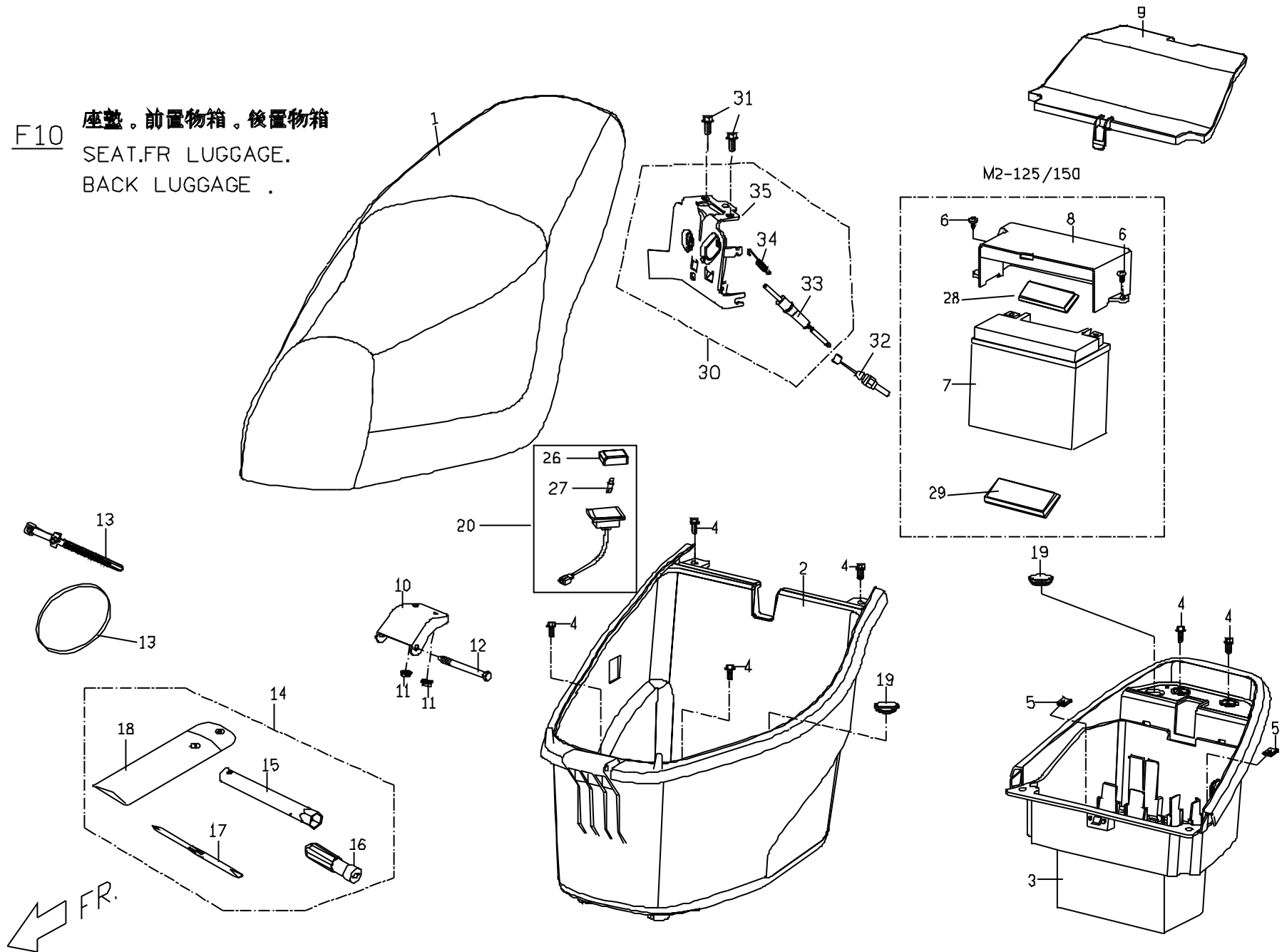
No.	Part No.	Q'TY	PART NAME	REMARK
1	M26250116500	1	FUEL TANK COVER,FR.	
2	M26253006B0	1	BODY COVER,LH	BLACK
3	M26255006B0	1	BODY COVER,RH	BLACK
4	M2625020650	1	BODY COVER,LOWER	
5	M26760002R0	1	RR LUGGAGE BRACKET	ORANGE
6	90210803504	3	HEXAGON SOCKET HEAD BOLT	
7	92140800010	3	WASHER (8.4D*17D*1.6T)	
8	90130501400	2	CR PAN HD MACHINE SCREW(M6*14L	
9	90040601400	1	CR PAN HD MACHINE SCREW(M6*14L	
10	90130501400	1	CR ROUND HD TAPPING SCREW (M5*14L)	
11	M2701020000	1	WATER PROTECTIVE RUBBER	M2-125/M2-150
12	M25213010000	1	TANK COVER	W/H EEC SYSTEM
13	M2521320000	1	TANK ,INNER COVER	
14	M25213110000	1	TANK COVER LEVER CABLE	
15	92140600005	2	WASHER (6.4D*13D*1T)	
16	90190601500	3	HEXAGON FLANGE BOLT (M6*15L)	
17	90040501200	1	CR PAN HD MACHINE SCREW(M5*12L)	

F10

座墊。前置物箱。後置物箱

SEAT.FR LUGGAGE.

BACK LUGGAGE .



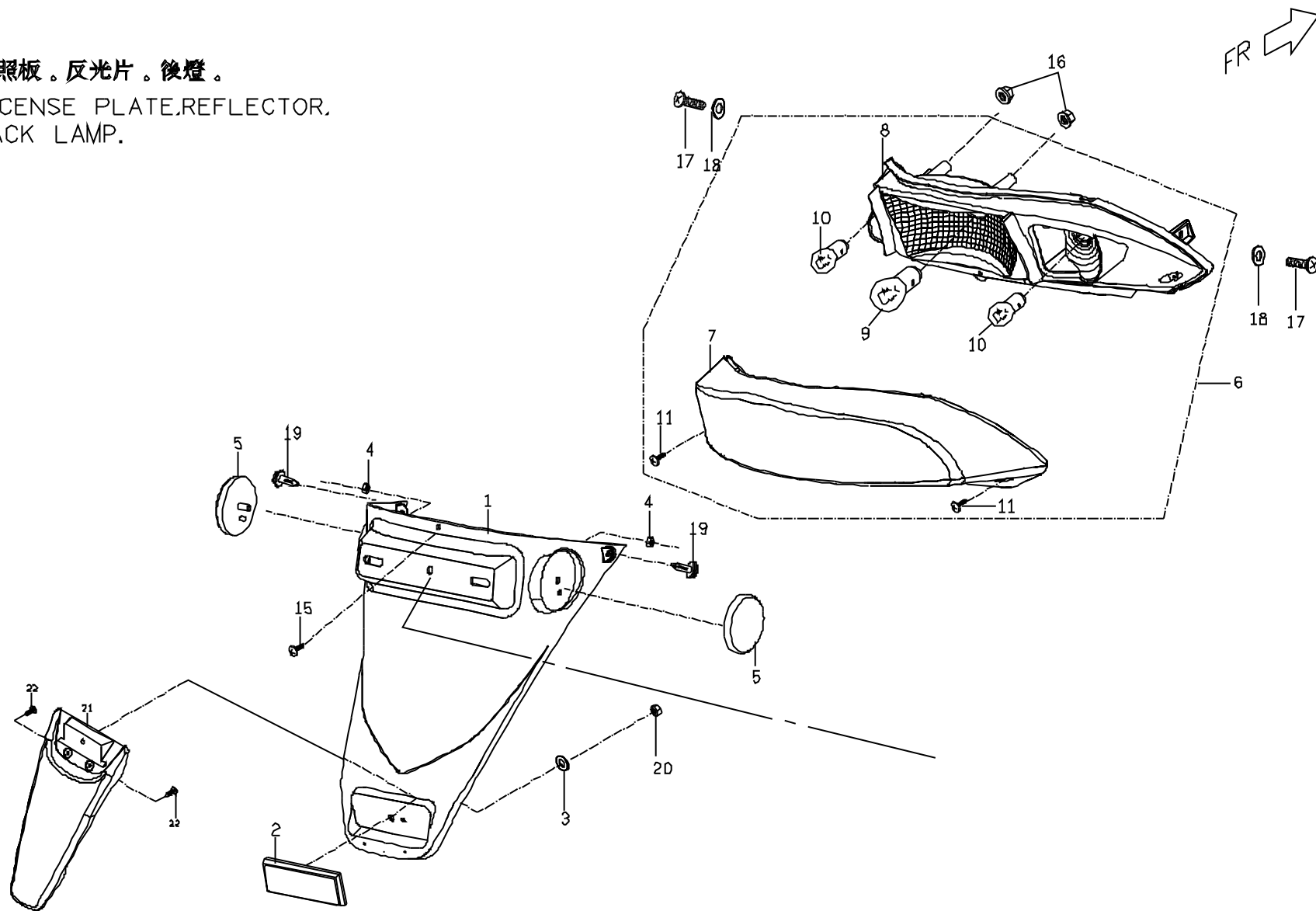
## F10 / / / SEAT.FR LUGGAGE, BACK LUGGAGE

No.	Part No.	Q'TY	PART NAME	REMARK
1	M26710010005	1	SEAT COMP.	GENUINE
2	M2681001000	1	HELMET CASE ASSY., FRT SECTION	M2-125/M2-150
3	M26810110000	1	HELMET CASE ASSY., REAR SECTION	M2-125/M2-150
4	90200602001	6	HEXAGON FLANGE BOLT (M6*1.0P)	
5	92370500003	2	U TYPE SPRING NUT	
6	90040601400	2	CR PAN HD MACHINE SCREW(M6*14L	M2-125/M2-150
7	C2583000000	1	BATTERY(7L)	M2-125/M2-150
8	M2624050650	1	BATTERY COVER	M2-125/M2-150
9	M2624030650	1	COVER,ELECTRICAL UNITS	
10	C1681060000	1	BRACKET, LUGGAGE	
11	92040600000	2	HEXAGON FLANGE NUT (M6*1.0P)	
12	C1681070000	1	SPECIAL BOLT	
13	M2701040000	1	REMOVEABLE CABLE TIE	
14	P6706540000	1	TOOL KIT	M2-125/M2-150
19	C1042030000	2	RUBBER PLUG	
20	M2681020000	1	LUGGAGE LIGHTING LAMP	
26	M268A010000	1	COVER,LUGGAGE LIGHTING LAMP	
27	M268A040000	1	BULB	
28	M25831000000	1	DAMPER, BATTERY	M2-125/M2-150
29	M25831000000	1	DAMPER, BATTERY	M2-125/M2-150
30	M2671301000	1	SEATLOCK ASSY	
31	90040601400	2	CR PAN HD MACHINE SCREW(M6*14L	
32	C26711210000	1	SEAT LOCK LEVER CABLE	
33	M267A320000	1	LIGTING SENSOR	
34	90110401600	1	TAPPING SCREW	

F11

牌照板。反光片。後燈。

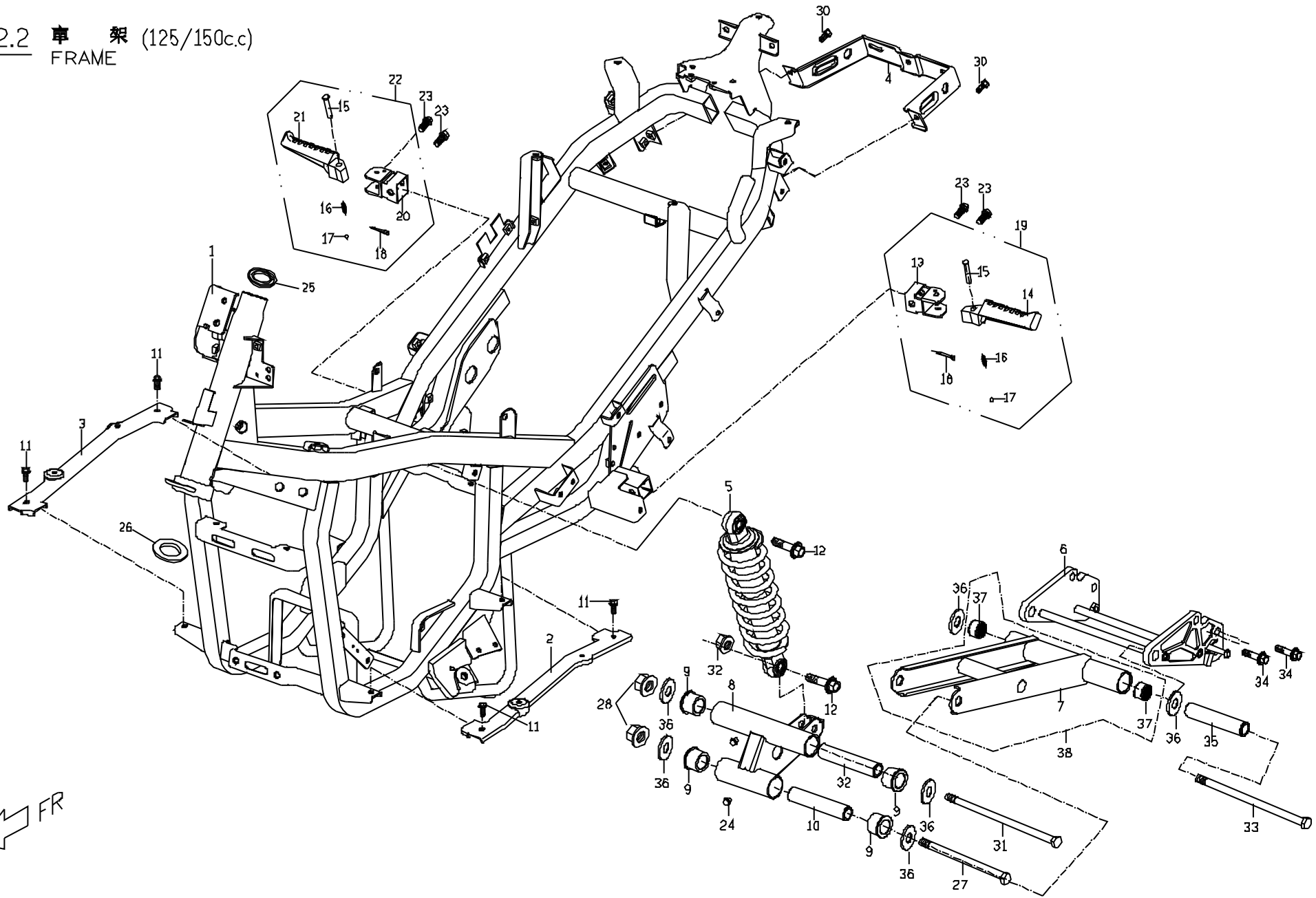
LICENSE PLATE, REFLECTOR,  
BACK LAMP.



F11 / / / LICENSE PLATE.REFLECTOR. BACK LAMP.

No.	Part No.	Q'TY	PART NAME	REMARK
1	M2636001650	1	LICENCE PLATE	
2	C5669000000	1	REFLECTOR DOT	
3	92140500014	1	PLAIN WASHER	
4	92040600000	2	HEXAGON FLANGE NUT (M6*1.0P)	
5	C16690000001	2	REFLECTOR SIDE	RED
6	M26660000001	1	REAR LAMP ASSY.	SAE, EURO
7	M266F010000	1	COVER	SAE, EURO
9	98311221051	1	BRAKING BULB	SAE, EURO
10	98241216001	2	SIGNAL LAMP (16W)	SAE, EURO
11	M266F070000	2	TAPPING SCREW	SAE, EURO
15	90110401200	1	CR PAN HD TAPPING SCREW(M4*12L)	
16	92040600000	2	HEXAGON FLANGE NUT (M6*1.0P)	
17	90040601400	2	CR PAN HD MACHINE SCREW(M6*14L)	
18	92140600005	2	WASHER (6.4D*13D*1T)	
19	M2701010000	2	PUSH RIVET	
20	92020500000	1	HEXAGON NUT (M5*0.8P)	
21	P2635001650	1	LOWER MUD PROTECTOR, REAR	
22	90110401200	2	CR PAN HD TAPPING SCREW(M4*12L)	

F12.2 車架 (125/150c.c)  
FRAME



F12.2 /FRAME M2-125/M2-150

No.	Part No.	Q'TY	PART NAME	REMARK
1	M24210066000	1	FRAME ASSY	M2-125/M2-150
2	M2421420000	1	SUPPORTING HOLDER ,STEPFLOOR(LH)	
3	M242A420000	1	SUPPORTING HOLDER ,STEPFLOOR(RH)	
4	M2421410000	1	LICENCE PLATE , LINK PLATE	
5	M2481002000	1	CUSHION ASSY, RR	M2-125/M2-150
6	M2451031600	1	ENGINE HANGER, LOWER	M2-125/M2-150
8	M2451011600	1	TRIANGLE SWING ARM	M2-125/M2-150
9	X0481130000	6	BUSH,RR AXLE BRACKET	
10	M2451050000	1	SPACER TUBE B	
11	90190601500	1	HEXAGON FLANGE BOLT (M6*15L)	
12	90191004000	2	HEXAGON FLANGE BOLT (M10*1.25P*40L)	
13	M2463010000	1	BACKSEAT PEDAL LEVER COMP	
14	E1463020000	1	PEDAL LEVER, LH	
15	E1463040000	2	LOCK PIN	
16	E1463050000	2	SPRING	
17	99010600000	2	BEARING BALL(1/4")	
18	93520201200	2	COTTER PIN	
19	M2463020000	1	BACKSEAT PEDAL LEVER COMP (L)	
20	M2463010000	1	BACKSEAT PEDAL LEVER COMP	
21	E1464020000	1	PEDAL LEVER, RH	
22	M2464020000	1	BACKSEAT PEDAL LEVER COMP (R)	
23	90190604001	4	HEXAGON FLANGE BOLT (M6*40L)	
24	X0481070000	3	GREASE FILLING NUT	
25	C1443020000	1	UPPER BEARING CAGE	
26	C1443011000	1	LOWER BEARING CAGE	
27	90191412500	1	EXAGON FLANGE BOLT	
28	92061400000	2	LOCK NUT,FLANGE U TYPE	

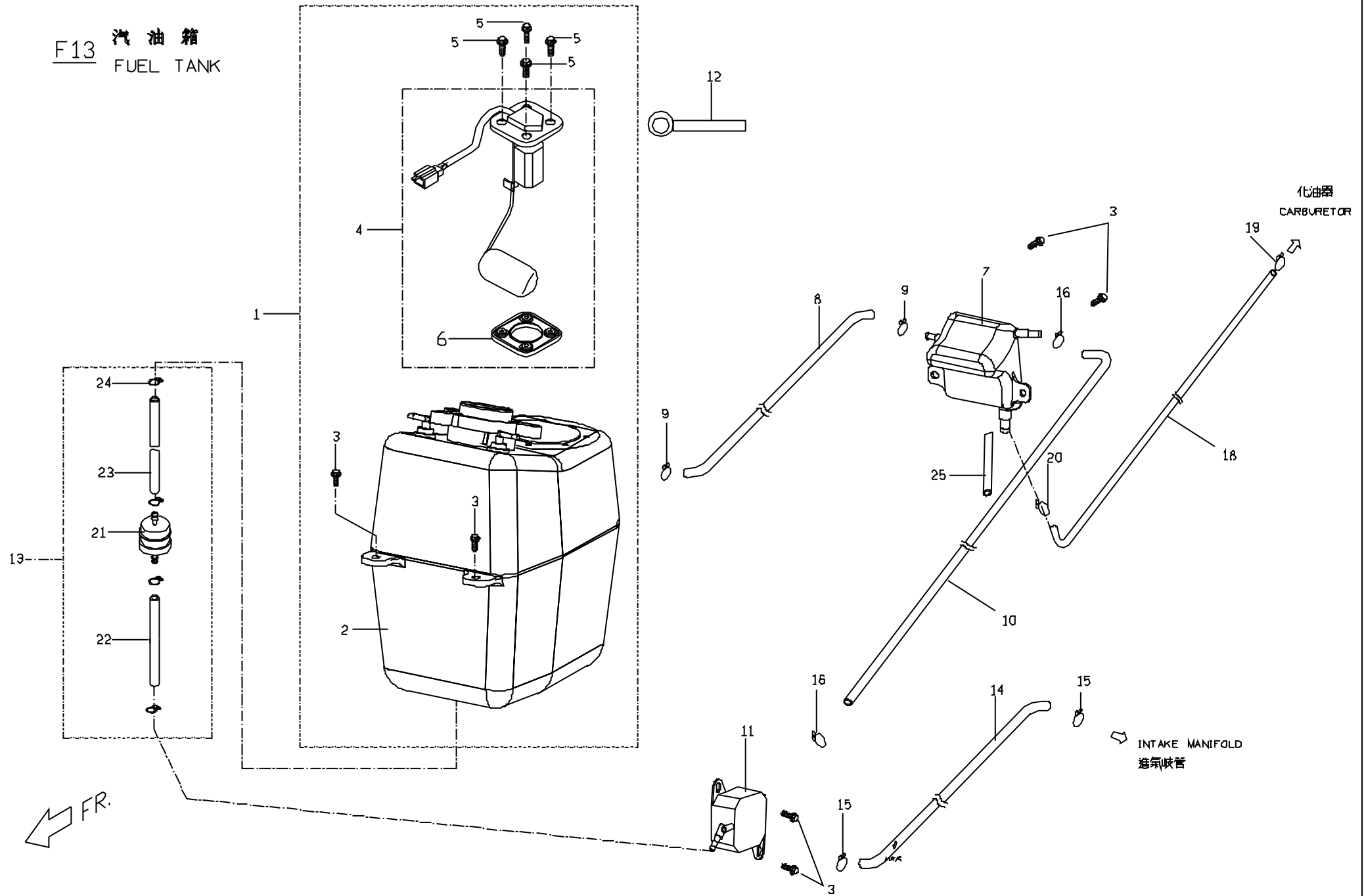




F12.2 /FRAME M2-125/M2-150

No.	Part No.	Q'TY	PART NAME	REMARK
29	NA	2	AUTOMATIC OILING BUSH	
30	90190601500	2	HEXAGON FLANGE BOLT (M6*15L)	
31	90191420500	1	EXAGON FLANGE BOLT	
32	M2451040000	1	SPACER TUBE A	
33	90191422000	1	EXAGON FLANGE BOLT	M2-125/M2-150
34	90191002000	4	EXAGON FLANGE BOLT	M2-125/M2-150
35	M24510610000	1	SPACER TUBE C	M2-125/M2-150
36	X0481140000	6	DUSTPROOF	
37	96550202600	2	NEEDLE BEARING	
38	M24510820000	1	PULL LINKAGE ASSY.	

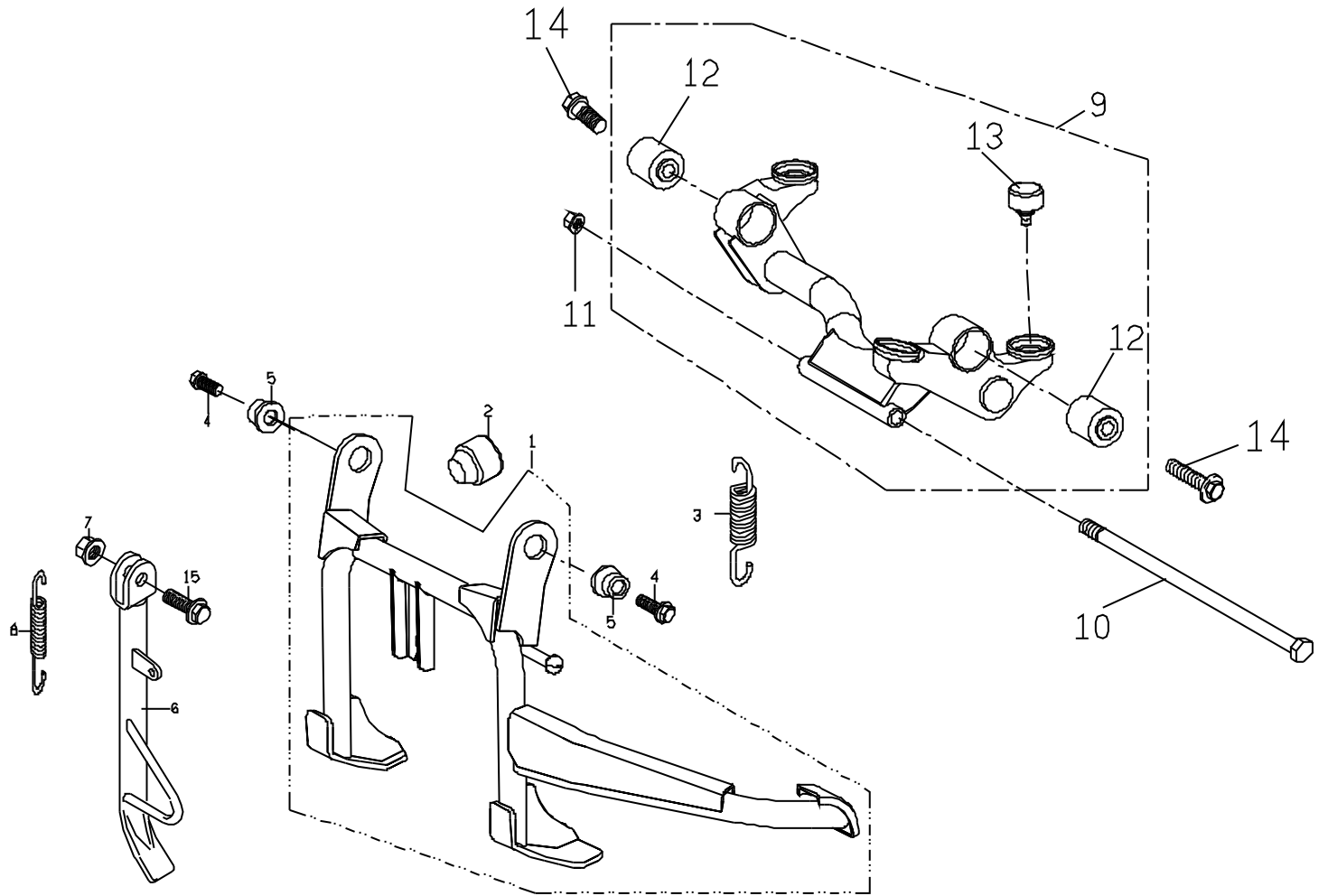
F13 汽油箱  
FUEL TANK



## F13 /FUEL TANK

No.	Part No.	Q'TY	PART NAME	REMARK
2	M2521500000	1	FUEL TANK(W/H EEC)	W/H EEC
3	90190601500	7	HEXAGON FLANGE BOLT (M6*15L)	
4	M2521700000	1	FUEL GUAGE COMP.	
5	90200501400	4	HEXAGON FLANGE BOLT	
6	C152A090000	1	PACKING, FUL GAUGE	
7	M2521600000	1	AD.FUEL TANK	
8	M2526040000	1	BACK FUEL HOSE(AD TANK TO TANK)	
9	922213000001	2	HOSE CLAMP	
10	M2526020000	1	FUEL HOSE(PUMP TO AD. TANK)	M2-125/150
11	M2521800000	1	FUEL PUMP COMP	M2-125/150
12	ES706020000	1	WIRE CLIP	
13	M2521200000	1	FUEL FILTER ASSY	M2-125/150
14	M2526010000	1	VACUUM HOSE(PUMP TO INTAKE MANIFOLD)	M2-125/150,W/O SAI
15	E1706110000	2	PIPE CLIP	
16	E1706110000	2	PIPE CLIP	
18	M25260320000	1	FUEL HOSE(AD. TANK TO CARBURETOR)	M2-125/150
19	E1706110000	2	PIPE CLIP	
20	92211200001	1	HOSE CLAMP	
21	P65212100001	1	FUEL FILTER	
22	M252A010000	1	FUEL PIPE(FILTER TO PUMP)	
23	M252A020000	1	FUEL PIPE(TANK TO FILTER)	
24	M252A030000	4	HOSE CLAMP	
25	M2521220000	1	COARSE FUEL FILTER	

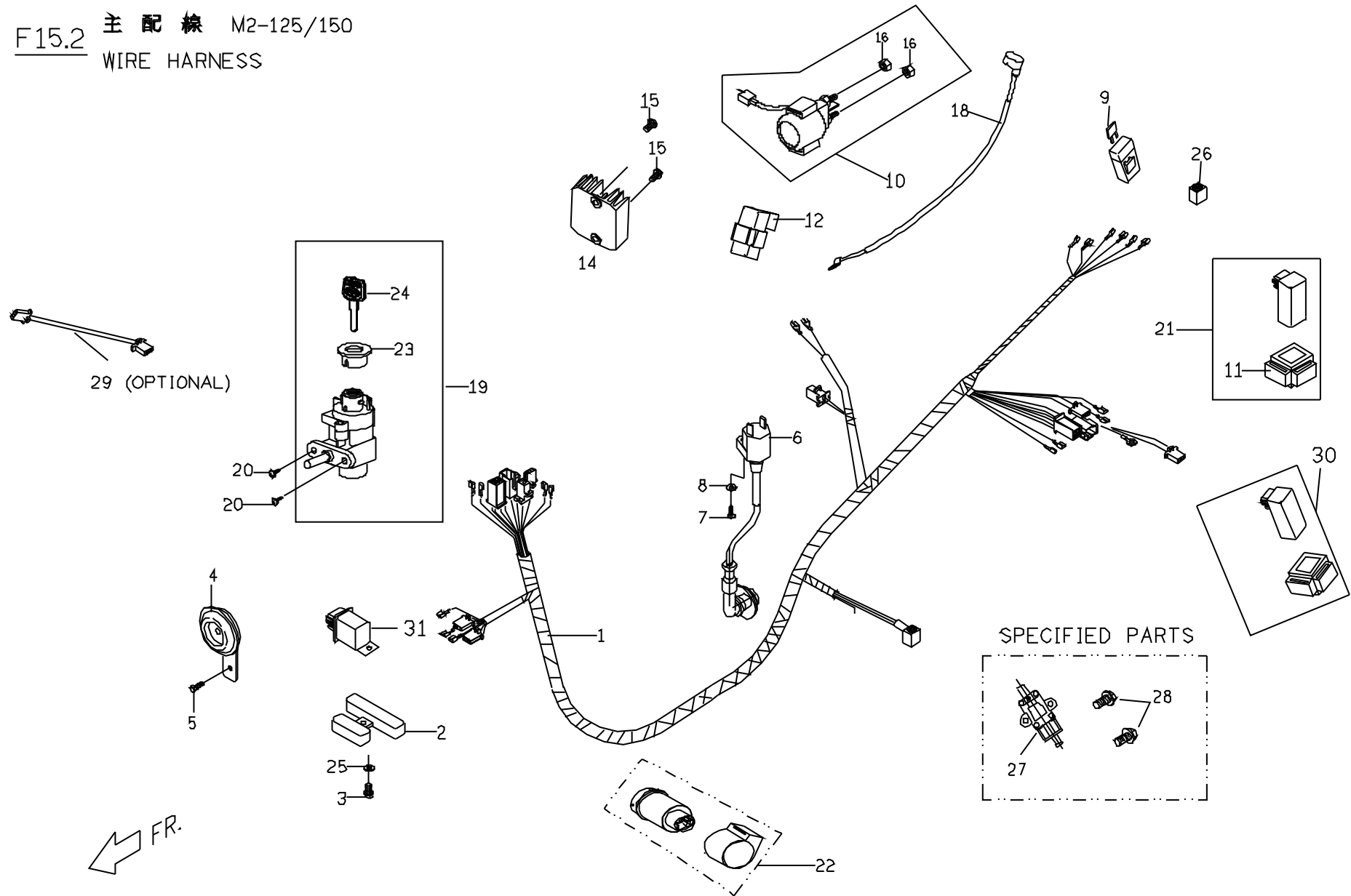
F14.2 中腳柱, 側腳柱  
CENTER STAND, SIDE STAND



FR.

No.	Part No.	Q'TY	PART NAME	REMARK
1	M24610026000	1	CENTER STAND COMP	
2	C1701050000	1	CUSHION RUBBER	
3	E1461121000	1	CENTER STAND SPRING	
4	90191003500	1	HEXAGON FLANGE BOLT (M10*1.25P	
5	M24610100000	2	BUSH	
6	M2462001600	1	SIDE STAND	
7	92061000001	1	U TYPE FLANGE NUT(M10*1.25P)	
8	C2462120000	1	SPRING,SIDE STAND	
9	M2486002000	1	ENGINE HANGER ASSY.	
10	90191018000	1	HEXAGON FLANGE BOLT	
11	92061000001	1	U TYPE FLANGE NUT(M10*1.25P)	
12	M2486070000	2	RUBBER,DAMPER	
13	C14860500001	1	CUSHION RUBBER	
14	M2486010000	2	HEXAGON FLANGE BOLT	

F15.2 主配線 M2-125/150  
 WIRE HARNESS



## F15.2 / WIRE HARNESS (M2-125/M2-150)

AVAILABLE FOR M2-125/M2-150 MODEL

No.	Part No.	Q'TY	PART NAME	REMARK
1	M25816030000	1	WIRE HARNESS , MAIN	M2-125/M2-150
2	ES586600000	1	RESISTOR	DC LIGHTING
3	90190601500	2	HEXAGON FLANGE BOLT (M6*15L)	
4	B5583600000	1	HORN	M2-125/M2-150
5	90190801200	1	HEXAGON FLANGE BOLT (M8*12L)	
6	M2584600000	1	COIL COMP	M2-125/M2-150
7	90070502000	1	CR TRUSS HD MACHINE SCREW(M5*20L)	
8	92110500000	1	SPRING LOCK WASHER	
9	98701215000	1	FUSE, 15A	M2-125/M2-150
11	P1701190000	1	RUBBER BRACKET	
12	C1582001000	1	CDI UNIT ASSY.	M2-125/M2-150
10	C1581001000	1	STARTER RELAY	M2-125/M2-150
14	C2584000000	1	VOL REGULATOR COMP.	DC LIGHTING
15	90190601500	1	HEXAGON FLANGE BOLT (M6*15L)	
16	92030600004	2	HEXAGON NUT	M2-125/M2-150
18	M2583020000	1	BATTERY (+)LINE	M2-125/M2-150
19	M25520000000	1	IGNITION SWITCH COMP.	
20	90040602003	2	CR TRUSS HD MACHINE SCREW	
21	C15825010000	1	HEADLAMP CONTROLLER	DC LIGHTING
22	P2586011000	1	FLASHER RELAY ASSY	
23	M255B010000	1	KEY INDICATOR ASSY	
24	ES55B010000	1	DUMMY KEY	
25	92130600000	1	TEETH TYPE WASHER	
26	C158A010000	1	DIODE ASSY.	
27	M25843000000	1	LUGGAGE LAMP DELAY CONTROLLER	
29	M25816110000	1	CONNECTING WIRE, HEADLAMP	

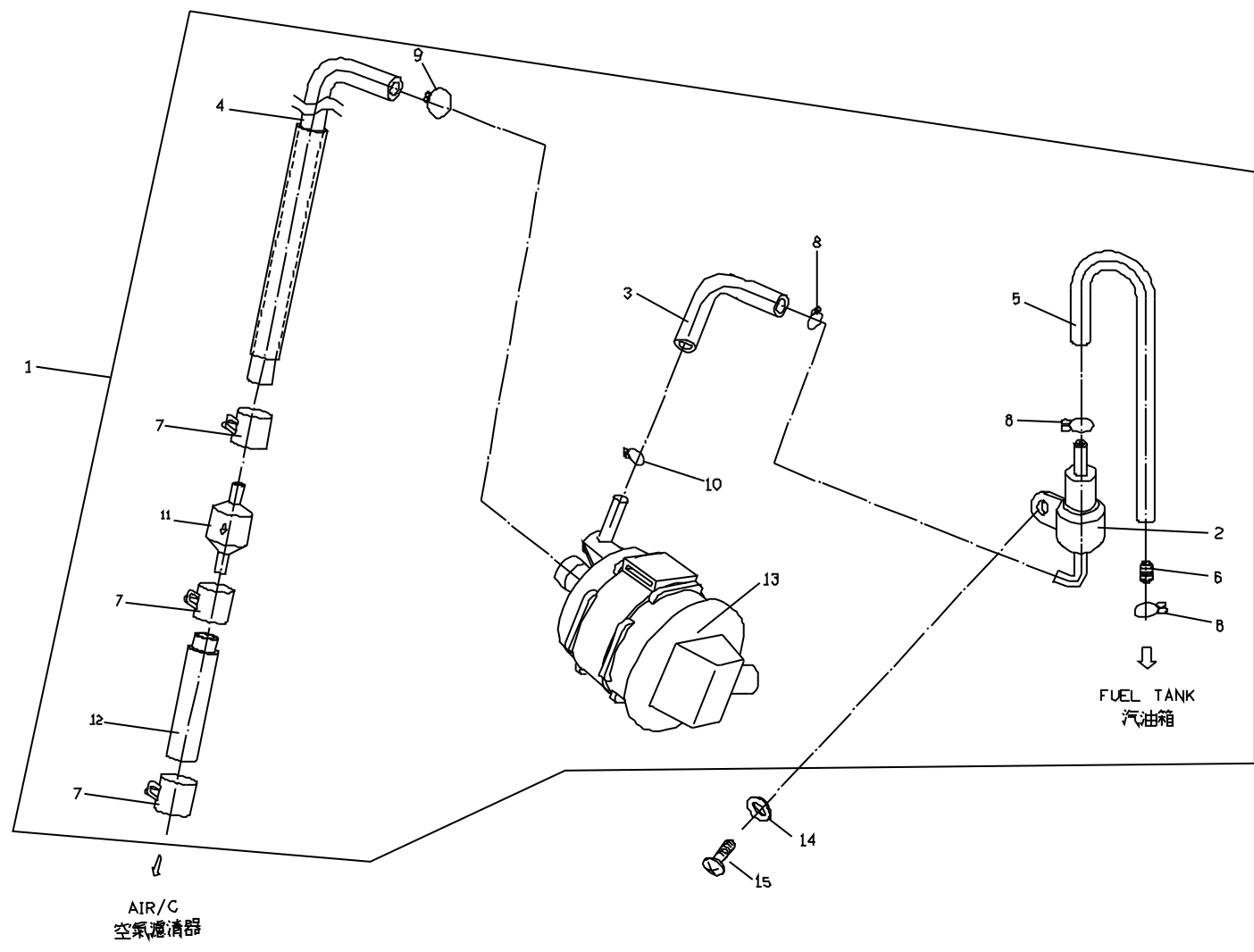




## F16 /LABEL

No.	Part No.	Q'TY	PART NAME	REMARK
1	C16030000001	1	NOTICE STICKER	
2	C16030100001	1	OIL CHANGE STICKER	
3	C1603020000	1	STICKER, FUEL TYPE	
4	M2352030000	1	PASSING ACCELERATION INFORMATION	
5	P6603010000	2	E.E.C MARK STICKER	
6	M26031000000	1	ENGINE INFORMATION STICKER	
7	M26030300000	1	NOISE EMISSION CONTROL INFORMATION PAPER	
8	C1603070000	1	TIRE INFORMATION PAPER	
9	M26012900000	1	G WINSHIELD ORNAMENT STICKER	
10	M26013000000	1	SIGNAL LAMP ORNAMENT STICKER,LH	
11	M26013100000	1	SIGNAL LAMP ORNAMENT STICKER,RH	
12	M26013200000	2	BLUR-BODY COVER STICKER	
13	M26013300000	1	BLUR-WINSHIELD STICKER	
14	M26013400000	1	FRT FENDER STICKER	
15	M26013500000	2	HEAD LIGHT STICKER,UPPER	
16	M26013600000	1	LOWER COVER STICKER,LH	
17	M26013700000	1	LOWER COVER STICKER,RH	

F17 燃料蒸發E.C.控制系統  
E.E.C SYSTEM (OPTIONAL DEVICE)







**5400 N. Damen Avenue  
Chicago IL 60625  
info@genuinescooters.com**