



Service manual



Manufactured by Motive Power Industry Co., Ltd

PREFACE

This manual offers all service specialists with the technological procedures of maintenance, repairing for Buddy170 detailedly show those whom may concern how to maintain, repair, change parts, troubleshoot and reassemble, etc.

At every important section we illustrate by assembly, explosion diagrams and photographs, if necessary, please check the diagrams already shown.

Though we have tried our best, please kindly instruct us any faults found in this manual.

CONTENTS

1.	The specification	1
2.	Service information	2
	(1)The operation notice	3
	(2)Looking torque value	4
	(3)Lubrication instruction	
	(4)Periodical maintenance table	9
	(5)Wiring diagram	11
	(6)Troubleshooting	12
3.	Checking and adjustment	25
	(1)Checking table	26
	(2)Battery	30
	(3)Clean the air cleaner	31
	(4)Oil screen	32
	(5)The final reduction mechanism oil	32
	(6)Spark plug	33
	(7)Compression pressure measurement	33
	(8)Valve clearance	34
	(9)Ignition timing	34
	(10)Front brake adjustment	35
	(11)Rear brake adjustment	36
	(12)Tire	36
	(13)Throttle cables adjustment	37
4.	Dismantling, maintaining, repairing and assembling operation	38
	(1)Lubrication system	39
	(2)Plastic parts of chassis	43
	(3)Engine dismantling	48
	(4)Drive pulley, starter, clutch,driven pulley	50
	(5)Cylinder head and valve	59
	(6)Cylinder and piston	64
	(7)AC generator flywheel	69
	(8)Final transmission mechanism	72
	(9)Crankcase, crank shaft	76
	(10)Steering stem, front wheel, front brake comp., front fork	82
	(11)Rear wheel, rear brake, rear damper	91
5.	Engine Management System(PGO 2nd-stage EMS)	96
	(1)PGO 2nd-stage EMS structure	97
	(2)EMS units	98
	(3)EMS diagnostic	99
6.	Electric equipment	122
	(1)Troubleshooting	123

(2)Battery	124
(3)Recharge system	126
(4)Starting system	128
(5)Starting clutch	130
(6)Handle bar switch	132

1. Specification

•Name PA-170DAAE

•Model PA-170

•Dimension

Overall length: 1710mm

Overall width: 645mm

Overall height: 1090mm

Overall base: 1210mm

•Weight

Total net weight: 107kg

front: 40kg

rear: 67kg

Carrying capacity:

2 passengers:150kg

Total weight:257kg

Front: 81kg

Rear: 176kg

•Performance

Fuel consumption: 40km/L

•Gradient ability:26°

•Engine

Model: C9

Fuel: unleaded or leaded

Cooling system: forced air cooling
by fan

Cylinder

bore: 61.0mm

stroke: 57.8mm

number 1

Arrangement: horizontal

Displacement: 168.9cc

Compression ration 10.5:1

Ignition: ECU

Start: electric start

Lubrication: pressuring and spraying

•Chassis steel pipe

•Suspension

front: telescopic

rear: 4-bar linkage,
uni-absorber

•Transmission

primary reduction :direct drive

second reduction:40/16*43/13

clutch type: centrifugal dry type

selector : V belt ,C.V.T.

•Wheel

front: 100/90-10

rear: 100/90-10

•Tire

front 1.50 kg/cm²

rear 1.75 kg/cm²

•Brake

front: 190mm hydraulic
disk brake

rear: drum brake

•Speedometer 90mile

•Lamp

front: 12V-35W/35W*1

license plate: 12V-5W * 1

brake lamp: 12V-21W/5W * 1

signal lamp : 12V-10W * 4

•Horn AC 12V

•Silencer: diffusible absorption
closed type

Trail: 71mm

Front wheel travel: 55.5 mm

Rear wheel travel: 61 mm

2. Service information:

- (1) The notice for operation³
- (2) Locking torque value
 - a. For engine
 - b. For chassis
 - c. Others
- (3) Lubrication instruction⁶
 - a. For engine
 - b. For chassis
 - c. Wheel bearing
- (4) Periodical maintenance table
- (5) Wiring diagram
- (6) Troubleshooting
 - 1. Engine not running or slowly running during start-up
 - 2. Engine running but start-up failing during start-up
 - 3. Trouble of hot start
 - 4. Trouble of cold start
 - 5. Trouble of start-up anytime despite RPM normal
 - 6. Start-up normal but idle speed unstable anytime
 - 7. Start-up normal but idle speed unstable during warm-up
 - 8. Start-up normal but idle speed unstable with warm-up finished
 - 9. Start-up normal but idle speed unstable or stall with load such as front lamp applied
 - 10. Start-up normal but idle speed too high
 - 11. RPM low or stall during acceleration
 - 12. Acceleration slow
 - 13. Acceleration powerless; performance bad

(1) The operation notice:

1. Always replace gasket, O ring, cotter, pins and clip whenever reassembled.
2. When tighten screws or nuts, lock tightly as per specified locking torque, and in the sequence of cross direction.
3. Use PGO, or PGO Recommended parts.
4. After dismantling please wash all parts necessary for checking and grease all contact surface when reassembling.
5. Use grease recommended by P.G.O.
6. When removing battery, please dismantle the negative pole (-) first, when assembling please connect positive pole (+) first.
6. Before installing a new fuse, confirm the specification is correct or not.
7. After reassembling, please re-check that all connecting point, locking parts, circuits, polar characteristics are good, before selling out.

(2) Torque value:

a. Engine:

NO	Locking location	Q'TY	Thread dia. (mm)	Locking torque (kg-m)	Remark
1	Cylinder head bolt A (intake)	2	6	0.9~1.1	
2	Cylinder head bolt B (Exhaust)	2	8	2.2	
3	Cap, oil filter graze	1	30	1.5~2.0	
4	Flange nut, cam shaft base	4	8	2.2	
5	Fixing nut, air valve adjustment	2	5	0.7	Greasing on thread
6	Guiding pin bolt, inner chain adjustment	1	6	0.9~1.1	
7	Oil bolt	1	8	1.7~2.0	
8	Fixing nut, clutch outer	1	12	5.0~6.0	
9	Nut, driven plate	1	12	5.0~6.0	
10	Nut, driving plate	1	12	5.0~6.0	
11	Spark plug	1	10	1.2~1.3	
12	Nut, drive clutch	1	22	9.0~10.0	Left thread
13	Screw, inner chain adjuster	1	6	0.4~0.6	

b. Chassis:

NO	Locking location	Q'TY	Thread dia. (mm)	Locking torque (kg-m)	Remark
1	Locking nut, steering stem	1	10	4.5	
2	Front axle nut	1	12	4.5 ~ 5.5	U type nut
3	Rear axle nut	1	16	11~ 13	U type nut
4	Rear shock absorber bolt(upper)	1	10	4.0	
5	Rear shock absorber bolt(lower)	1	8	2.4 ~ 3.0	
6	Front brake caliper bolt	2	8	2.0 ~ 3.0	
7	Chassis bolt, engine hanger bracket	2	10	3.5 ~ 4.5	
8	Engine bolt, engine hanger bracket	1	10	3.0 ~ 4.0	
9	Brake hose bolt	2	10	3.0 ~ 3.5	
10	Air release valve	1	6	0.6	
11	Front drum brake arm bolt	1	6	1.0	
12	Rear drum brake arm bolt	1	6	1.0	

c. Other parts please refer the following table:

Standard torque values:

NO	Item	Torque (kgf-m)
1	5mm bolt and nut	0.45-0.6
2	6mm bolt and nut	0.8-1.2
3	8mm bolt and nut	1.8-2.5
4	10mm bolt and nut	3.4-4.0
5	12mm bolt and nut	5.0-6.0
6	5mm screw	0.35-0.5
7	6mm screw	0.7-1.1
8	6mm flange bolt and screw	1.0-1.4
9	7mm flange bolt and screw	1.0-1.4
10	8mm flange bolt and screw	2.0-3.0
11	10mm flange bolt and screw	3.0-4.0

(3)Lubrication instruction:

A. Engine

NO	Lubrication location	Oil type	Remarks
1	crankcase:rotating part, sliding part	premium 4 stroke motorcycle oil or SAE15W40	Auto-separated Lubrication
2	cylinder:rotating part, sliding part.		Total: 1000 c.c. Replacement 800c.c
3	drive gear box	SAE85-140	Total 110 c.c. Replacement 90c.c
4	gasket of starter shaft	clean grease	(#3)
5	start idle gear sliding parts	clean grease	(#3)

B. Chassis

Steel ball, steering item



Front brake fluid



Front brake cam

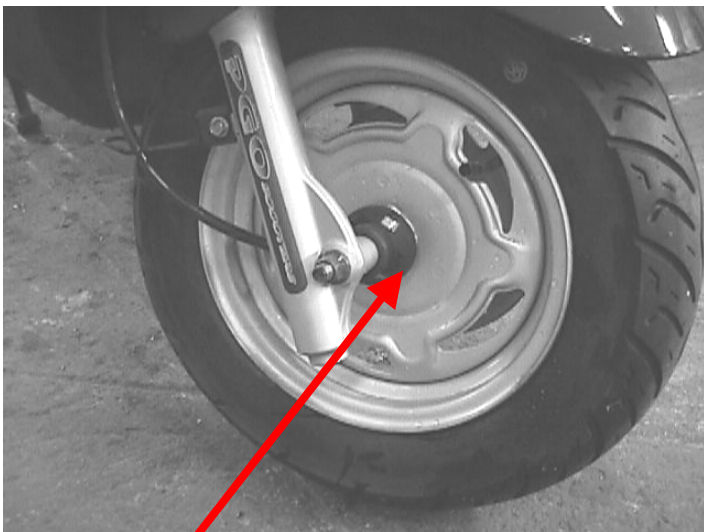
C. Wheel bearing



Motor oil



**Final transmission mechanism
gear oil**



Speedometer gear-clean grease

Front wheel bearing-clean grease

(4) PERIODICAL MAINTENANCE TABLE

Item	Model 4T	Checking Content	MONTHS/DISTANCE(IN MILE)FOR CHECKING							
			1 or 200 mile	3 or 1800 mile	6 or 3600 mile	9 or 5400 mile	12 or 7200 mile	15 or 9000 mile	18 or 10800 mile	
Engine oil*	4T	Replace 800cc total 1000cc	R	Replace it initially 200 mile, and then replace it per 1800mile						
Oil Filter		Replace	R	replace it per 3600mile						
Coarse oil filter* (on oil draining bolt)	4T	Clean or replace it if necessary	C	clean it initially 200mile and then replace it per 3600mile if necessary						
Air cleaner	4T	Crack and blockage check.		I						
Air filter	4T	Clean or replace it if required		I	I	I	I	I	I	
Gear oil*	4T	90cc, total 110 cc	R	R	I	I	R	I	I	
Disk & drum brake	4T	Leaking and function check		I	I	I	R	I	I	
Clutch shoes*	4T	Check or replace it if necessary			I	I	I	I	I	
Tires	4T	Worn-out check or replace it if necessary		I	I		I		I	
Wheel bearing*	4T	Fasten tightly if loosen		I	I	I	I	I	I	
Front fork*	4T	Leaking and function check	I		I	I	I	I	I	
Steering head bearing*	4T	Check looseness. Adjust it if required			I		I		I	
Rear absorber*	4T	Leaking and function check			A		A		A	
Main/Side Stand	4T	Function check or replace it if required		I	I		I		I	
Nuts, bolts, fasteners	4T	Tighten it if required		I	L	I	L	I	L	
Battery	4T	Recharge the battery it required. Clear the poles.		I	I	I	I	I	I	
Valve gap*	4T	0.08mm/ IN&EX	Adjust it when necessary		C	I	C	I	C	
Spark plug*	4T	Clear or replace if required		I	A		A		A	
V belt*	4T	Worn out check or replace if necessary.			R	I	R	I	R	
Fuel feeding system*	EXCEPT EMS	Crack and blockage check. Replace it if necessary.								
Fuel feeding system *	EMS ONLY (Injection)	Inspect hose, clamp			I		R		I	
Engine idle speed*	4T	4T engine: 1700±100 rpm	A	A	I		I		R	
Carburetor idle A/F Adjustment*	4T	Check and adjust referring to CO/HC Percentage.	A	A	A	A	A	A	A	
EMS function check*	EMS ONLY (Injection)	Inspect EMS function, and clear the defect memory if necessary		I	A	A	A	A	A	

REMARKS :

1. A: adjust C: clean I: inspect, or replace if necessary L: lubricate R: replace
2. Items with “*” mark indicate our recommendation to have it done by Genuine dealer.

NOTE 1 :

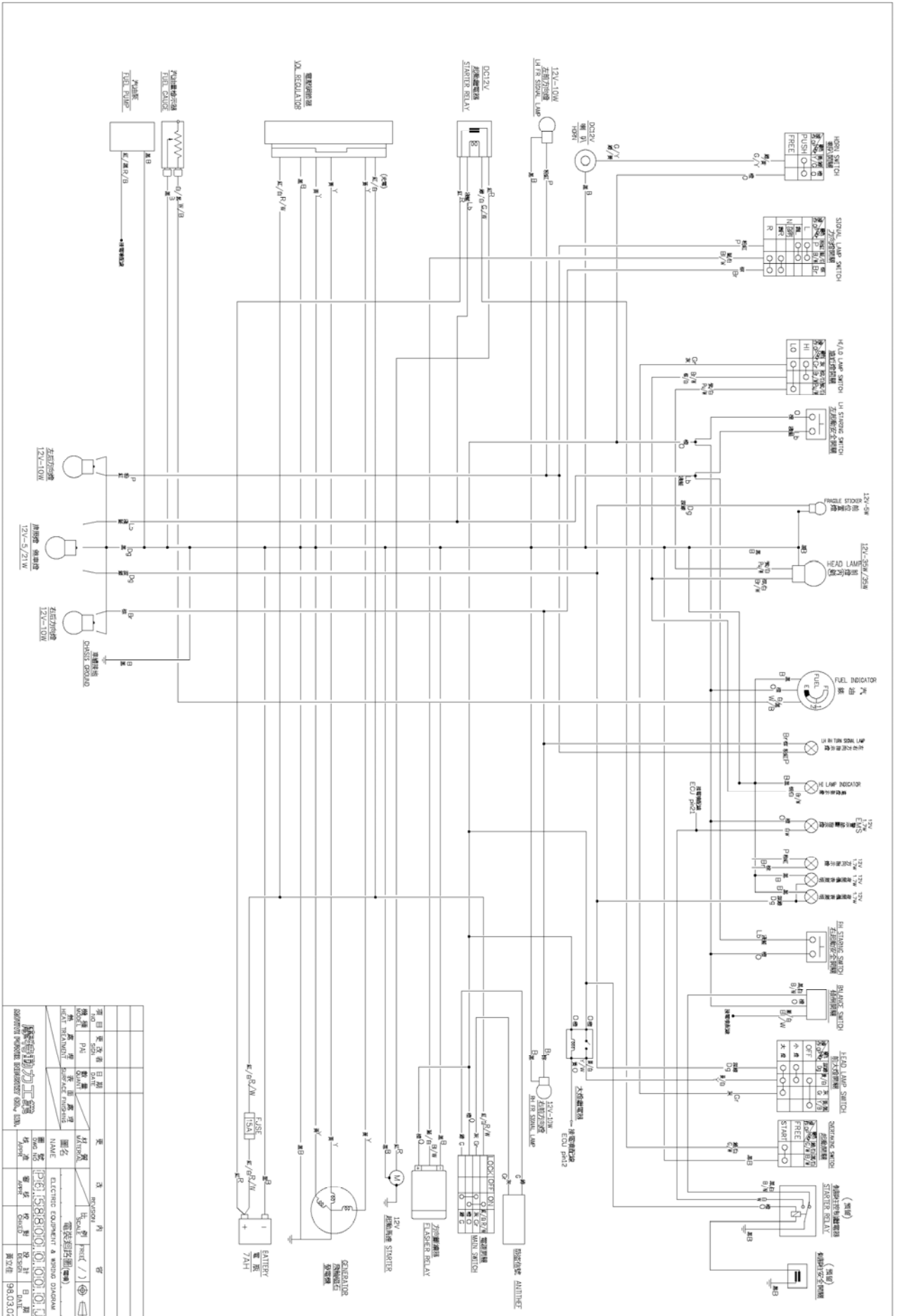
For 4T engine, the engine oil shall be changed completely after run-in period 300km or one month later.
This can make sure the engine runs smoothly.

NOTE 2 :

The exchange of brake fluid

1. After disassembling of brake main cylinder or caliper, do change the new fluid.
2. Check the fluid level often, Refill if necessary.
3. Change the oil seal of main cylinder and caliper every two years.
4. Change the brake fluid hose every four years.

(5) Wiring diagram.



項目	更改者	日期	原因
NO	NO	DATE	REASON
作成	PAI	08.01.01	完成
檢核	PAI	08.01.01	完成
批准	PAI	08.01.01	完成
設計	PAI	08.01.01	完成
檢核	PAI	08.01.01	完成
批准	PAI	08.01.01	完成

名稱	12V-10W
規格	12V-10W
零件號	12V-10W
位置	12V-10W
備註	12V-10W

項目	更改者	日期	原因
NO	NO	DATE	REASON
作成	PAI	08.01.01	完成
檢核	PAI	08.01.01	完成
批准	PAI	08.01.01	完成
設計	PAI	08.01.01	完成
檢核	PAI	08.01.01	完成
批准	PAI	08.01.01	完成

名稱	12V-5/21W
規格	12V-5/21W
零件號	12V-5/21W
位置	12V-5/21W
備註	12V-5/21W

項目	更改者	日期	原因
NO	NO	DATE	REASON
作成	PAI	08.01.01	完成
檢核	PAI	08.01.01	完成
批准	PAI	08.01.01	完成
設計	PAI	08.01.01	完成
檢核	PAI	08.01.01	完成
批准	PAI	08.01.01	完成

(6) Trouble shooting:

Procedure to maintain the Electronic Management System (EMS)

- Systematic procedure to diagnose any troubles for reparation

Items to be checked first prior to any diagnoses for engine troubles:

1. Make sure of the engine trouble indicator normally running;
2. Check with a trouble diagnosis meter to ensure no trouble information recorded;
3. Check any trouble phenomenon hinted by the vehicle owner and trouble-related conditions.

External check:

- (1) Check any leakage from a fuel hose.
- (2) Check any leakage from a vacuum pipe.
- (3) Check any jam, leakage, flattening, or damage at an air inlet.
- (4) Check the ignition system for break or aging of any high-voltage cable and ignition status.
- (5) Check grounding of any wire harness clean and securely fixed.
- (6) Check any sensor or actuator's connector loosened or poorly contacted.

Note: Repair any trouble specified herein first which may affect the subsequent diagnoses or reparation.

- **Diagnosis assist:**

1. Make sure of no engine-related trouble records;
2. Make sure of any offered troubles;
3. Follow the said procedure to complete inspections and find no any unconformable situation;
4. Do not ignore any effect from maintenance, cylinder pressure, mechanical timing, or fuel on the system;
5. Replace ECU for tests.

In the event of any trouble eliminated, ECU should be the source of trouble; if not, install the original ECU and repeat the procedure to recheck.

- **Trouble:**

- Engine not running or slowly running during start-up
- Engine running but start-up failing during start-up
- Trouble of hot start
- Trouble of cold start
- Trouble of start-up anytime despite RPM normal
- Start-up normal but idle speed unstable anytime
- Start-up normal but idle speed unstable during warm-up
- Start-up normal but idle speed unstable with warm-up finished
- Start-up normal but idle speed unstable or stall with load such as front lamp applied
- Start-up normal but idle speed too high
- RPM low or stall during acceleration
- Acceleration slow
- Acceleration powerless; performance bad

1. Engine not running or slowly running during start-up

General trouble location: 1. Battery; 2. Start motor; 3. Main wiring or power switch; 4. Engine mechanism.

Procedure for general diagnoses:

No.	Operating Procedure	Detection Results	Subsequent Steps
1	Check the voltage between two battery terminals with a multi-meter to ensure the voltage between 11 and 12V during start-up of the engine.	Yes	Next step
		No	Replace the battery.
2	Keep the power switch "ON" and check the voltage at the positive terminal on the start motor over 8V.	Yes	Next step
		No	Fix or replace wiring harness.
3	Remove the start motor and check its status for open circuits or jam attributed to lubrication insufficient.	Yes	Fix or replace the start motor.
		No	Next step
4	For any trouble in winter only, check lubricant in the engine wrong for big resistance of the start motor.	Yes	Change applicable lubricant.
		No	Next step
5	Check mechanical resistance inside the engine causing the motor not running or slowly running.	Yes	Correct resistance inside the engine.
		No	Repeat the said step.

2. Engine running but start-up failing during start-up

General trouble location: 1. Oil tank empty; 2. Fuel pump; 3. RPM sensor; 4. Ignition coils; 5. Engine mechanism.

Procedure for general diagnoses:

No.	Operating Procedure	Detection Results	Subsequent Steps
1	Connect a fuel pressure gauge before the fuel inlet of the nozzle; press the power switch repeatedly if necessary or start the engine to check the fuel pressure at 300kPa or so.	Yes	Next step
		No	Repair the fuel supply system.
2	Connect the EMS diagnosis tester and check "Engine RPM"; start the engine to check any <u>RPM signal output.</u>	Yes	Next step
		No	Correct circuits of the RMP sensor.
3	Disconnect the ignition cable and connect a spark tester; start the engine and check any high-voltage flash (blue/white).	Yes	Next step
		No	Repair the ignition system.
4	Check pressure of the engine cylinder and find any possibility of pressure insufficient.	Yes	Eliminate any mechanical trouble of the engine.
		No	Next step
5	Connect an EMS adapter and press the power switch to check voltages at Pins 5#, 10#, and 23# ; check grounding at Pins 2# and 21# .	Yes	Diagnosis assist
		No	Repair the relevant circuits.

3. Trouble of hot start

General trouble location: 1. Water in fuel; 2. Fuel pump; 3. Engine temperature sensor; 4. Ignition coils

Procedure for general diagnoses:

No.	Operating Procedure	Detection Results	Subsequent Steps
1	Connect a fuel pressure gauge before the fuel inlet of the nozzle; start the engine to check the fuel pressure at 300kPa or so.	Yes	Next step
		No	Repair the fuel supply system.
2	Disconnect the ignition cable and connect a spark tester; start the engine and check any high-voltage flash (blue/white).	Yes	Next step
		No	Repair the ignition system.
3	Press the engine temperature sensor connector and start the engine; check if the engine successfully started. (Or <u>install a series-connected resistor (300Ω) in lieu of the engine temperature sensor at the engine temperature sensor connector.</u> Check if the engine is successfully started.)	Yes	Correct circuits or replace the sensor.
		No	Next step
		No	Next step
4	Check fuel and observe any trouble attributed to fuel just added.	Yes	Replace fuel.
		No	Next step
5	Connect an EMS adapter and press the power switch to check voltages at Pins 1# , 19# , and 29# ; check grounding at Pins 8# , 35# and 36# .	Yes	Diagnosis assist
		No	Repair the relevant circuits.

4. Trouble of cold start

General trouble location: 1. Water in fuel; 2. Fuel pump; 3. Engine temperature sensor; 4. Nozzle; 5. Ignition coils; 6. Air throttle and & idle air bypass; 7. Engine mechanism.

Procedure for general diagnoses:

No.	Operating Procedure	Detection Results	Subsequent Steps
1	Connect a fuel pressure gauge before the fuel inlet of the nozzle; start the engine to check the fuel pressure at 300kPa or so.	Yes	Next step
		No	Repair the fuel system.
2	Disconnect the ignition cable and connect a spark tester; start the engine and check any high-voltage flash (blue/white).	Yes	Next step
		No	Repair the ignition system.
3	Press the engine temperature sensor connector and start the engine; check if the engine successfully started. (Or <u>install a series-connected resistor (2500Ω) in lieu of the engine temperature sensor at the engine temperature sensor connector.</u> Observe if the engine is successfully started.)	Yes	Correct circuits or replace any sensor.
		No	Next step
4	Slightly pull the throttle to check if the engine is easily started.	Yes	Clean the air throttle and the idle air bypass.
		No	Next step
5	Disassemble the nozzle and check any leakage or jam in the nozzle with a nozzle cleaner & analyzer.	Yes	Replace the defective nozzle.
		No	Next step
6	Check fuel and observe any trouble attributed to fuel just added.	Yes	Change fuel.
		No	Next step
7	Check pressure of the engine cylinder and find any possibility of pressure insufficient.	Yes	Eliminate any mechanical trouble of the engine.
		No	Next step
8	Connect an EMS adapter and press the power switch to check voltages at Pins 1# , 19# , and 29# ; check grounding at Pins 8# , 35# and 36# .	Yes	Diagnosis assist
		No	Repair the relevant circuits.

5. Trouble of start-up anytime despite RPM normal

General trouble location: 1. Water in fuel; 2. Fuel pump; 3. Engine temperature sensor; 4. Nozzle; 5. Ignition coils; 6. Air throttle and & idle air bypass; 7. Air intake; 8. Ignition timing; 9. Spark plug; 10. Engine mechanism.

Procedure for general diagnoses:

No.	Operating Procedure	Detection Results	Subsequent Steps
1	Check any jam of the air filter and leakage of the air intake.	Yes	Repair the air intake system.
		No	Next step
2	Connect a fuel pressure gauge before the fuel inlet of the nozzle; start the engine to check the fuel pressure at 300kPa or so.	Yes	Next step
		No	Repair the fuel supply system.
3	Disconnect the ignition cable and connect a spark tester; start the engine and check any high-voltage flash (blue/white).	Yes	Next step
		No	Repair the ignition system.
4	Check the spark plug in the cylinder and its model and gap conformable to specifications.	Yes	Next step
		No	Adjust or change the spark plug.
5	Press the engine temperature sensor connector and start the engine; check if the engine is successfully started.	Yes	Correct circuits or replace the sensor.
		No	Next step
6	Slightly pull the throttle to check if the engine is easily started.	Yes	Clean the air throttle and the air intake for idle speed.
		No	Next step
7	Disassemble the nozzle and check any leakage or jam in the nozzle with a nozzle cleaner & analyzer.	Yes	Change the defective nozzle.
		No	Next step
8	Check fuel and observe any trouble attributed to fuel just added.	Yes	Change fuel.
		No	Next step
9	Check pressure of the engine cylinder and find any possibility of pressure insufficient.	Yes	Eliminate any mechanical trouble of the engine.
		No	Next step
10	Check if mechanical ignition timing of the engine is conformable to specifications.	Yes	Next step
		No	Correct ignition timing.
11	Connect an EMS adapter and press the power switch to check voltages at Pins 1# , 19# , and 29# ; check grounding at Pins 8# , 35# and 36# .	Yes	Diagnosis assist
		No	Repair the relevant circuits.

6. Start-up normal but idle speed unstable anytime

General trouble location: 1. Water in fuel; 2. Nozzle; 3. Spark plug; 4. Air throttle and idle air bypass; 5. Air intake; 6. ISC; 7. Ignition timing; 8. Spark plug; 9. Engine mechanism.

Procedure for general diagnoses:

No.	Operating Procedure	Detection Results	Subsequent Steps
1	Check any jam of the air filter and leakage of the air intake.	Yes	Repair the air intake system.
		No	Next step
2	Check the Idle governor for the control valve jammed.	Yes	Change
		No	Next step
3	Check the spark plug and its model and gap conformable to specifications.	Yes	Next step
		No	Adjustment or change
4	Check the air throttle and the idle air bypass for any carbon deposition.	Yes	Cleaning
		No	Next step
5	Disassemble the nozzle and check any leakage or jam in the nozzle with a nozzle cleaner & analyzer.	Yes	Replace the defective nozzle.
		No	Next step
6	Check fuel and observe any trouble attributed to fuel just added.	Yes	Change fuel.
		No	Next step
7	Check pressure of the engine cylinder and find any big difference in pressure.	Yes	Eliminate any mechanical trouble of the engine.
		No	Next step
8	Check if mechanical ignition timing of the engine is conformable to specifications.	Yes	Next step
		No	Correct ignition timing.
9	Connect an EMS adapter and press the power switch to check voltages at Pins 1# , 19# , and 29# ; check grounding at Pins 8# , 35# and 36# .	Yes	Diagnosis assist
		No	Repair the relevant circuits.

7. Start-up normal but idle speed unstable during warm-up

General trouble location: 1. Water in fuel; 2. Engine temperature sensor; 3. Spark plug; 4. Air throttle and idle air bypass; 5. Air intake; 6. Idle governor; 7. Engine mechanism.

Procedure for general diagnoses:

No.	Operating Procedure	Detection Results	Subsequent Steps
1	Check any jam of the air filter and leakage of the air intake.	Yes	Repair the air intake system.
		No	Next step
2	Check the spark plug and its model and gap conformable to specifications.	Yes	Next step
		No	Adjustment or change
3	Remove the Idle governor and check the air throttle, the isc, and the idle air bypass for any carbon deposition.	Yes	Clean relevant parts.
		No	Next step
4	Press the engine temperature sensor connector and start the engine to check any instability of the idle speed during warm-up of the engine.	Yes	Correct circuits or replace any sensor.
		No	Next step
5	Disassemble the nozzle and check the nozzle leaking or blocked, or the flow out of tolerance with a nozzle cleaner & analyzer.	Yes	Change the defective nozzle.
		No	Next step
6	Check fuel and observe any trouble attributed to fuel just added.	Yes	Change fuel.
		No	Next step
7	Check pressure of the engine cylinder and find any big difference in pressure.	Yes	Eliminate any mechanical trouble of the engine.
		No	Next step
8	Connect an EMS adapter and press the power switch to check voltages at Pins 1# , 19# , and 29# ; check grounding at Pins 8# , 35# and 36# .	Yes	Diagnosis assist
		No	Repair the relevant circuits.

8. Start-up normal but idle speed unstable with warm-up finished

General trouble location: 1. Water in fuel; 2. Engine temperature sensor; 3. Spark plug; 4. Air throttle and idle air bypass; 5. Air intake; 6. ISC; 7. Engine mechanism.

Procedure for general diagnoses:

No.	Operating Procedure	Detection Results	Subsequent Steps
1	Check any jam of the air filter and leakage of the air intake.	Yes	Repair the air intake system.
		No	Next step
2	Check the spark plug and its model and gap conformable to specifications.	Yes	Next step
		No	Adjustment or change
3	Remove the ISC and check the air throttle, the ISC and the idle air bypass for any carbon deposition.	Yes	Clean relevant parts.
		No	Next step
4	Press the engine temperature sensor connector and start the engine to check any instability of the idle speed during warm-up of the engine.	Yes	Correct circuits or replace any sensor.
		No	Next step
5	Disassemble the nozzle and check the nozzle leaking or blocked, or the flow out of tolerance with a nozzle cleaner & analyzer.	Yes	Change the defective nozzle.
		No	Next step
6	Check fuel and observe any trouble attributed to fuel just added.	Yes	Change fuel.
		No	Next step
7	Check pressure of the engine cylinder and find any big difference in pressure.	Yes	Eliminate any mechanical trouble of the engine.
		No	Next step
8	Connect an EMS adapter and press the power switch to check voltages at Pins 1# , 19# , and 29# ; check grounding at Pins 8# , 35# and 36# .	Yes	Diagnosis assist
		No	Repair the relevant circuits.

9. Start-up normal but idle speed unstable or stall with load such as front lamp applied

General trouble location: 1. ISC 2. Nozzle.

Procedure for general diagnoses:

No.	Operating Procedure	Detection Results	Subsequent Steps
1	Remove the ISC and check the air throttle, the ISC and the idle air bypass for any carbon deposition.	Yes	Clean relevant parts.
		No	Next step
2	Check if the engine's output power is increased with the load applied; use the EMS diagnosis tester to check any change in the ignition advance angle, duration of fuel injection, and air input.	Yes	Go to Step 4.
		No	Next step
		No	Repair the air regulating system.
3	Disassemble the nozzle and check the nozzle leaking or blocked, or the flow out of tolerance with a nozzle cleaner & analyzer.	Yes	Change the defective nozzle.
		No	Next step
4	Connect an EMS adapter and press the power switch to check voltages at Pins 1# , 19# , and 29# ; check grounding at Pins 8# , 35# and 36# .	Yes	Diagnosis assist
		No	Repair the relevant circuits.

10. Start-up normal but idle speed too high

General trouble location: 1. Air throttle and idle air bypass; 2. Vacuum tube; 3, ISC ; 4. Engine temperature sensor; 5. Ignition timing.

Procedure for general diagnoses:

No.	Operating Procedure	Detection Results	Subsequent Steps
1	Check the throttle cable for jammed or too tight.	Yes	Adjustment
		No	Next step
2	Check the air intake system and the connected vacuum tube for any leakage.	Yes	Repair the air intake system.
		No	Next step
3	Remove the ISC and check the air throttle, the ISC and the idle air bypass for any carbon deposition.	Yes	Clean relevant parts.
		No	Next step
4	Press the engine temperature sensor connector and start the engine; check if the engine's the idle speed is too high.	Yes	Correct circuits or replace any sensor.
		No	Next step
5	Check if mechanical ignition timing of the engine is conformable to specifications.	Yes	Next step
		No	Correct ignition timing.
6	Connect an EMS adapter and press the power switch to check voltages at Pins 1# , 19# , and 29# ; check grounding at Pins 8# , 35# and 36# .	Yes	Diagnosis assist
		No	Repair the relevant circuits.

11. RPM low or stall during acceleration

General trouble location: 1. Water in fuel; 2. Inlet pressure sensor & air throttle sensor; 3. Spark plug; 4. Air throttle & idle air bypass; 5. Air intake; 6. ISC ; 7. Nozzle; 8. Ignition timing; 9. Exhauster.

Procedure for general diagnoses:

No.	Operating Procedure	Detection Results	Subsequent Steps
1	Check the air filter for any jam.	Yes	Check the air intake system.
		No	Next step
2	Connect a fuel pressure gauge before the fuel inlet of the nozzle; start the engine to check the fuel pressure at 300kPa or so during the idle status.	Yes	Next step
		No	Repair the fuel supply system.
3	Check the spark plug in the cylinder and its model and gap conformable to specifications.	Yes	Next step
		No	Adjustment or replacement
4	Remove the ISC and check the air throttle, the ISC and the idle air bypass for any carbon deposition.	Yes	Clean relevant parts.
		No	Next step
5	Check the inlet pressure sensor, the air throttle and circuits.	Yes	Next step
		No	Correct circuits or replace any sensor.
6	Disassemble the nozzle and check any leakage or jam in the nozzle with a nozzle cleaner & analyzer.	Yes	Replace the defective nozzle.
		No	Next step
7	Check fuel and observe any trouble attributed to fuel just added.	Yes	Change fuel.
		No	Next step
8	Check if ignition timing of the engine is conformable to specifications.	Yes	Next step
		No	Correct ignition timing.
9	Check the exhauster for exhaust normally discharged.	Yes	Next step
		No	Repair or replace the exhauster.
10	Connect an EMS adapter and press the power switch to check voltages at Pins 1# , 19# , and 29# ; check grounding at Pins 8# , 35# and 36# .	Yes	Diagnosis assist
		No	Repair the relevant circuits.

12. Acceleration slow

General trouble location: 1. Water in fuel; 2. Inlet pressure sensor and air throttle sensor; 3. Spark plug; 4. Air throttle and idle air bypass; 5. Air intake; 6. ISC ; 7. Nozzle; 8. Ignition timing; 9. Exhauster.

Procedure for general diagnoses:

No.	Operating Procedure	Detection Results	Subsequent Steps
1	Check the air filter for any jam.	Yes	Check the air intake system.
		No	Next step
2	Connect a fuel pressure gauge before the fuel inlet of the nozzle; start the engine to check the fuel pressure at 300kPa or so during the idle status.	Yes	Next step
		No	Repair the fuel supply system.
3	Check the spark plug in the cylinder and its model and gap conformable to specifications.	Yes	Next step
		No	Adjustment or replacement
4	Remove the ISC and check the air throttle, the ISC and the idle air bypass for any carbon deposition.	Yes	Clean relevant parts.
		No	Next step
5	Check the inlet pressure sensor, the air throttle sensor and circuits.	Yes	Next step
		No	Correct circuits or replace any sensor.
6	Disassemble the nozzle and check any leakage or jam in the nozzle with a nozzle cleaner & analyzer.	Yes	Replace the defective nozzle.
		No	Next step
7	Check fuel and observe any trouble attributed to fuel just added.	Yes	Change fuel.
		No	Next step
8	Check if the engine's ignition timing is conformable to specifications.	Yes	Next step
		No	Correct ignition timing.
9	Check the exhauster for exhaust normally discharged.	Yes	Next step
		No	Repair or replace the exhauster.
10	Connect an EMS adapter and press the power switch to check voltages at Pins 1# , 19# , and 29# ; check grounding at Pins 8# , 35# and 36# .	Yes	Diagnosis assist
		No	Repair the relevant circuits.

13. Acceleration powerless; performance bad

General trouble location: 1. Water in fuel; 2. Inlet pressure sensor and air throttle sensor; 3. Spark plug; 4. Ignition coils; 5. Air throttle and idle air bypass; 6. Air intake; 7. ISC ; 8. Nozzle; 9. Ignition timing; 10. Exhauster.

Procedure for general diagnoses:

No.	Operating Procedure	Detection Results	Subsequent Steps
1	Check any troubles such as clutch slip, low tire pressure, brake drag, wrong tire size.	Yes	Reparation
		No	Next step
2	Check the air filter for any jam.	Yes	Repair the air intake system.
		No	Next step
3	Connect a fuel pressure gauge before the fuel inlet of the nozzle; start the engine to check the fuel pressure at 300kPa or so during the idle status.	Yes	Next step
		No	Repair the fuel supply system.
4	Disconnect the ignition cable and connect a spark tester; start the engine and check any high-voltage flash (blue/white).	Yes	Next step
		No	Repair the ignition system.
5	Check the spark plug in the cylinder and its model and gap conformable to specifications.	Yes	Next step
		No	Adjustment or replacement
6	Remove the ISC and check the air throttle, the ISC and the idle air bypass for any carbon deposition.	Yes	Clean relevant parts.
		No	Next step
7	Check the inlet pressure sensor, the air throttle sensor and circuits.	Yes	Next step
		No	Correct circuits or replace any sensor.
8	Disassemble the nozzle and check any leakage or jam in the nozzle with a nozzle cleaner & analyzer.	Yes	Replace the defective nozzle.
		No	Next step
9	Check fuel and observe any trouble attributed to fuel just added.	Yes	Change fuel.
		No	Next step
10	Check if the engine's ignition timing is conformable to specifications.	Yes	Next step
		No	Correct ignition timing.
11	Check the exhauster for exhaust normally discharged.	Yes	Next step
		No	Repair or replace the exhauster.
12	Connect an EMS adapter and press the power switch to check voltages at Pins 1# , 19# , and 29# ; check grounding at Pins 8# , 35# and 36# .	Yes	Diagnosis assist
		No	Repair the relevant circuits.

3. Checking and Adjustment:

- (1) Periodical checking table
- (2) Battery
- (3) Clean air cleaner
- (4) Oil screen
- (5) The final reduction mechanism oil
- (6) Spark plug
- (7) Cylinder pressure
- (8) Valve clearance
- (9) Ignition timing
- (10) Front brake adjustment
- (11) Rear brake adjustment
- (12) Tire
- (13) Throttle cable adjustment

(1) Periodical checking table:

1.[○] mark indicates periodical checking

2.[*] indicates changing the parts

Check item		Checking period							Judgement standard	Remark
		General checking	First Month Or Initial 200mile	Home		Office				
				Per6 Months Or 3000mile	per12 months or 6000mile	Per1 Months Or 600mile	per3 months or 1500mile	per12 months or 6000mile		
A Suspension Steering Handlebar	Loose,swing	○		○	○	○	○	○		
	performance	○		○	○	○	○	○		
Suspension: turning angle					○			○		
Front fork	a.cracked			○	○	○	○	○		
	b.shaft fixed condition			○	○	○	○	○		From steering column
	c.shaft:loose				○	○		○		
B: Brake										
Brake lever	a.clearance	○		○	○	○	○	○	Clearance: Front:10-20mm Rear :10-20mm	Check from Steering column
	b.movement ofbrake	○	○	○	○	○	○	○		
brake	Loose or damage		○	○	○	○	○	○		
	Brake cables change								※per 2 years	
Brake cam	Worn out							○		
Brake drum And brake shoe	a.clearance between drum and plate			○	○	○	○	○		
	b.brake shoe and brake plate worn out				○			○		
	c.brake drum worn and damage				○			○	Standard dia: Rear:130.0mm Limit of use: Rear:131mm	mark type
wheel	front axle:damage or cracked							○		
	rear axle:worn or damage							○		Check rear Axle
	Wheel pressure	○	○	○	○	○	○	○	Unit:kg/c m ² : Front:1.5 Rear :1.75	
	Wheel cracked Or damage	○		○	○	○	○	○		
	Wheel gap and worn	○		○	○	○	○	○	Gaplimit: Front wheel:0.8mm rea wheel:0.8mm	
	Wheel surface Or other metals	○		○	○	○	○	○		
	Axle nut screw Pin tightness			○	○	○	○	○	Front axle screw torque 5.0~6.0kg-m rear axle torque 11.0~13.0kg-m	Nut location
	Wheel rim swingness and damage condition			○	○	○	○	○	Swingness off front Rear wheel rim. Vertical swing:2mmbelow Horztpmta;°:2mm below	

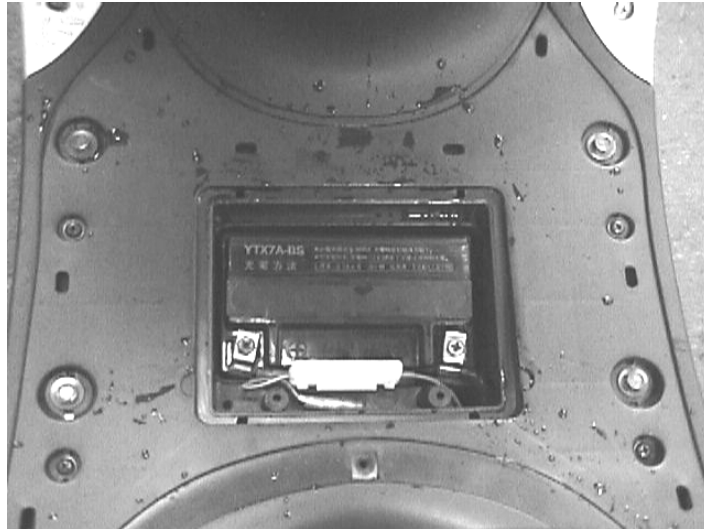
Check item		Checking period							Judgement standard	Remark	
		General checking	First Month Or Initial 200mile	Home		Office					
				Per6 Months Or 3000mile	per12 months or 6000mile	Per1 Months Or 600mile	per3 months or 1500mile	per12 months or 6000mile			
Wheel	Front Bearing of axle, Looseness		○	○	○	○	○	○			
	Rear			○				○			
Damper	Rear damper spring cracked	○		○	○	○	○	○			
	assy' part loose or damage			○	○	○	○	○			
	Connecting part Loose				○			○			
	Bracket loose or Damage				○			○			
	Suspension	Connecting Part loose				○			○		
	damper	Oil leakage				○		○	○		
Cracked					○		○	○			
assy's part, Loose					○		○	○			
Power Transmission	Clutch and Change Speed mechanism			○	○	○	○	○			
	Supply grease			○	○	○	○	○	※per 2 year		
	Electric Install-Ment	Ignition			○	○	○	○	○	Clearance: 0.6~0.7mm NGK:C7RHSA OR SAME SPEC	
Electric Install-Ment	Start mechanism	Starting Motorpinion Meshing				○		○	○		
	wiring	Recharge Effect			○	○	○	○	○		
	battery	Electroly-Te quantit			○	○	○	○	○	Level between "UPPER" AND "LOWER"	
		Electroly-Te s. gravity				○		○	○	WHEN 20°C SPECIFIC GRAVITY: 1.270~1.290	
	wire circuit	Wire connecting Loose or cracked			○	○	○	○	○		

Check item			Checking period						Judgement standard	Remark		
			General checking	First Month Or Initial 200mile	Home		Office					
					Per6 Months Or 3000mile	per12 months or 6000mile	Per1 Months Or 600mile	per3 months or 1500mile			per12 months or 6000mile	
Engine	Engine parts	Performance, noise			○	○	○	○	○			
		Low speed, Acceleration			○	○	○	○	○	Idling: 1700±100rpm		
		Exhaustion	○		○	○	○	○	○		Check the color Or exhausting air	
		Air cleaner			○	○	○	○	○			
		Cylinder, cylinder head inlet Pipe, locking Condition								○	Locking torque Cylinder head: (cold) 1.0-1.2kg/m inlet pipe⊗cp;d 1.0-1.2kg/m	
		Compression pressure				○				○	Using stator Motor. 11kg/cm ² (650rpm)	
	Lubrication System	Oil leakage			○	○	○	○	○			
		Oil quantity, Dirty			○	○	○	○	○	Change every 1800mile		
		Oil quantity,	○	○								
		Oil filter			○	○		○	○	Change every 3000mile		
	fuel system	Fuel quantity	○									
		Fuel leakage			○	○	○	○	○			
		Fuel pipe Changing								※per 4 years		
		Fuel pump	○				○	○	○			

Check item		Checking period							Judgement standard	Remark
		General checking	First Month Or Initial 200mile	Home		Office				
				Per6 Months Or 3000mile	per12 months or 6000mile	Per1 Months Or 600mile	per3 months or 1500mile	per12 months or 6000mile		
Lamp system	Performance	<input type="radio"/>		<input type="radio"/>	<input type="radio"/>	<input type="radio"/>	<input type="radio"/>	<input type="radio"/>		
	Dirty, cracked	<input type="radio"/>		<input type="radio"/>	<input type="radio"/>	<input type="radio"/>	<input type="radio"/>	<input type="radio"/>		
Horn turn Signal Reflector	Performance	<input type="radio"/>		<input type="radio"/>	<input type="radio"/>	<input type="radio"/>	<input type="radio"/>	<input type="radio"/>		Horn Turn signal
lock	Performance			<input type="radio"/>	<input type="radio"/>	<input type="radio"/>	<input type="radio"/>	<input type="radio"/>		
Rear view mirror	Check the illumination	<input type="radio"/>		<input type="radio"/>	<input type="radio"/>	<input type="radio"/>	<input type="radio"/>	<input type="radio"/>		
Blinker line-Nese plate number&mark	Dirty cracked	<input type="radio"/>								
Instrument board	performance	<input type="radio"/>		<input type="radio"/>	<input type="radio"/>	<input type="radio"/>	<input type="radio"/>	<input type="radio"/>		
Muffler silencer	Ass'y part Loose cracked			<input type="radio"/>	<input type="radio"/>	<input type="radio"/>	<input type="radio"/>	<input type="radio"/>		
	performance				<input type="radio"/>		<input type="radio"/>	<input type="radio"/>		
chassis	loose or cracked				<input type="radio"/>		<input type="radio"/>	<input type="radio"/>		
The earlier Abnormal condition	Confirm it does Not happen again	<input type="radio"/>								
others	Chassis Lubrication			<input type="radio"/>	<input type="radio"/>	<input type="radio"/>	<input type="radio"/>	<input type="radio"/>		
	Decoking mixer ,muffler, silencer				<input type="radio"/>			<input type="radio"/>		

(2) Battery: Recharge when run out of it

- 1.Remove the floor mat.
- 2.Screwing out the two screws on the battery cover; remove the battery cover.
- 3.Remove the negative cable and then the positive cable, take out the battery to recharge.
- 4.Re-assembling the battery as the opposite procedure of disassembling after recharging.



Note:

- A. Do not take out the sealed bolt when recharging.
- B. Without refilling water for the battery.

Please recharging (12V) as the following current.

Time standard: 0.7A*5~10Hr or Rapid: 3A*1Hr

(3) Clean air cleaner

- 1.Remove air cleaner cover.
- 2.Take out the air cleaner filter.
- 3.Clean the filter by compressed air.
- 4.Assemble the air cleaner by the opposite procedure.

MOTOR OIL

Attn: Do not start engine when air cleaner is not installed.

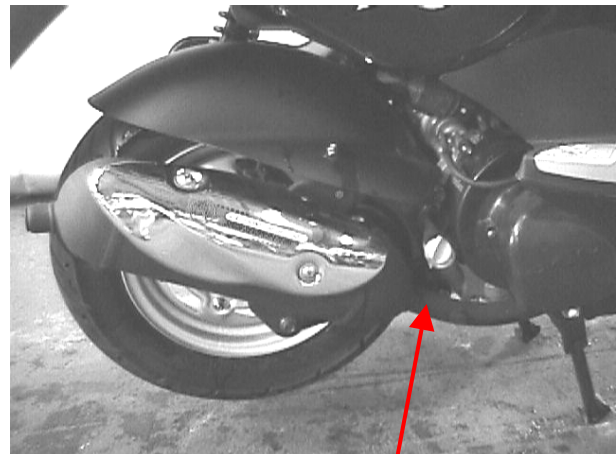


Oil volume

Note:

- A. The vehicle must park on the flat ground Before checking.
- B.Start engine for 2~3 min., and stop engine For 2~3 min., then check the oil volume.

- 1.Take out the oil meter to check the oil Volume.
- 2.Refill oil to upper limit when oil volume Is below the lower limit.



Exchange Oil

Note: The oil will flow out easier when the engine is warm.

- 2.Screw out the oil draining bolt on the bottom

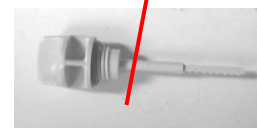
Torque:1.5kg-m

Engine oil volume : **Disassembling : 1.0 liter**

Exchanging : 0.80~0.85liter

When checking the leakage of oil, start the engine

At idling for a few minutes, then check the oil volume.



Upper limit

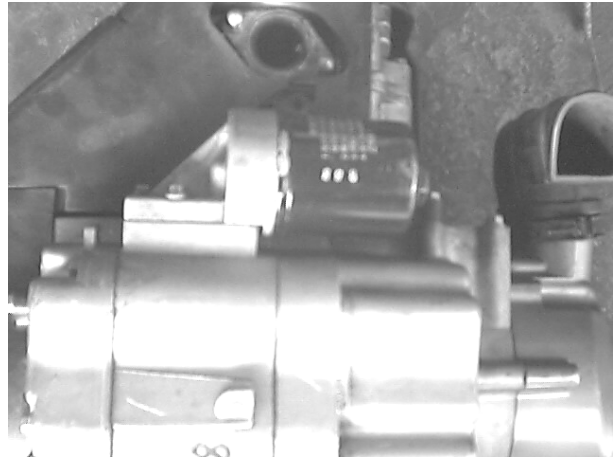
Lower limit

(4) Oil screen

Cleaning for the oil screen

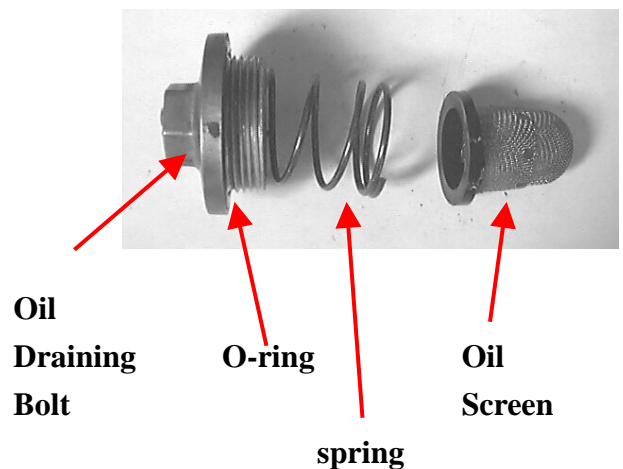
- Drain the Oil in the engine, remove the Oil draining bolt the spring and the Screen.
- If any adherent material is found, please use detergent to clean the screen.
- Check the 0-ring. If it is damaged, change a new one.
- Re-install the screen, the spring, 0 ring and the Oil draining bolt.

Locking torque: 1.5kg-m



2.Second oil filter

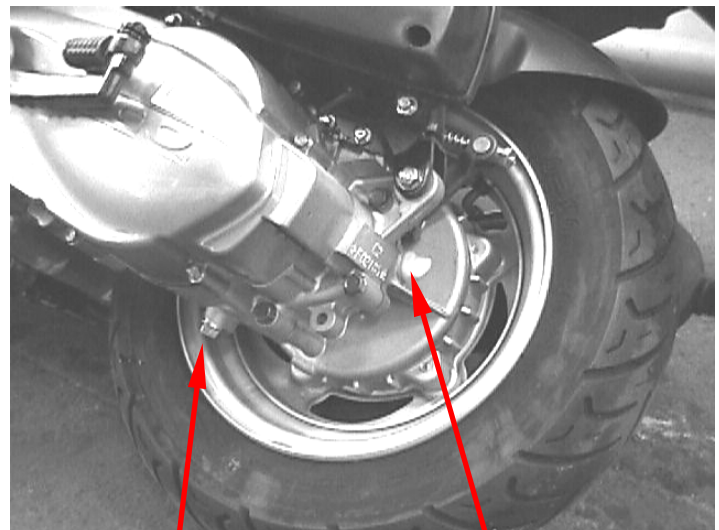
- Replace it per 5,000km
- Torque: 8 ± 0.2 N-M



(5) The final reducing mechanism oil

1.Change the oil in the gear box:

- a. Turn off the engine after warm up.
- b. Put a bowl under the engine.
- c. Remove the draining bolt and filling bolt to drain the gear oil off.
- d. Lock the draining bolt before refill 110c.c. gear oil and then lock the filling bolt.
- e. Locking torque: 1.8kg.m



Draining bolt

Filling Bolt

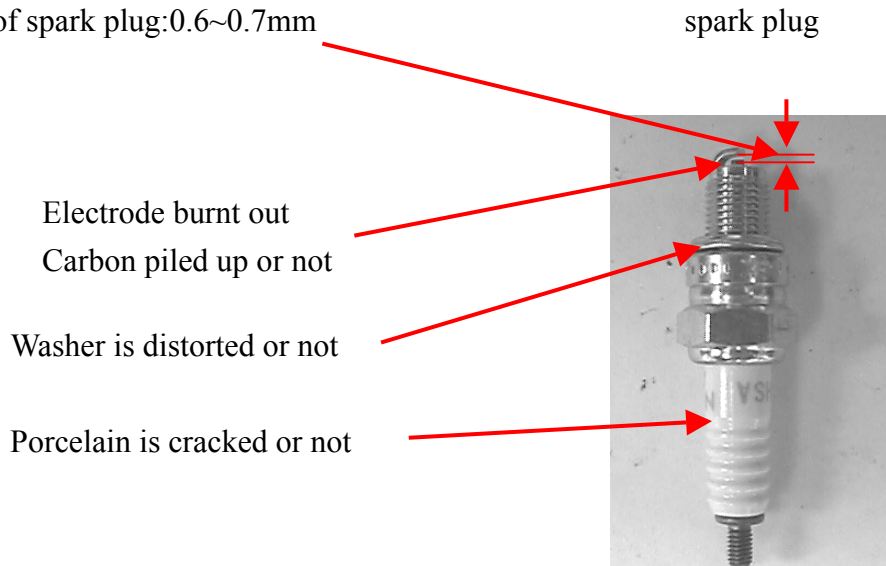
(6) Spark plug

1. Remove spark plug.
2. Check the spark plug electrode and see whether it is burnt out/ carbonized or not.
3. Clean the electrode, if it is dirty.

- Spark plug specification

NGK: CR6HSA

Gap of spark plug: 0.6~0.7mm



(7) Cylinder Pressure

1. Measure it when the engine is warm.
2. Remove the cover at the right hand of the step floor.
3. Remove the spark plug then place cylinder pressure gauge. Then fully open the throttle and act on the starter motor to measure the compression pressure.

Compression pressure: 11kg/cm² at 650 rpm

*When the compression pressure is too low, check the following:

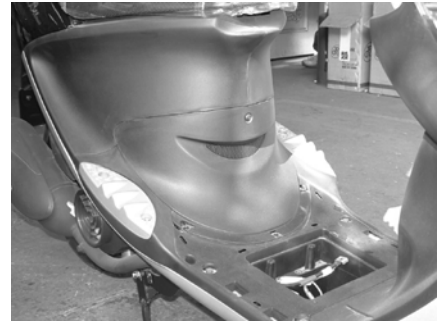
- a. Valve leakage or not
- b. Valve clearance
- c. Gasket of the cylinder head is damaged.
- d. Piston ring worn-out
- e. Piston or cylinder worn-out

*The cylinder compression pressure is usually too high when there is too much carbonization in the combustion chamber and the piston tip.



(8) Valve Clearance

Note: Checking and adjustment of valve clearance only can be done under 35°C of engine temperature.

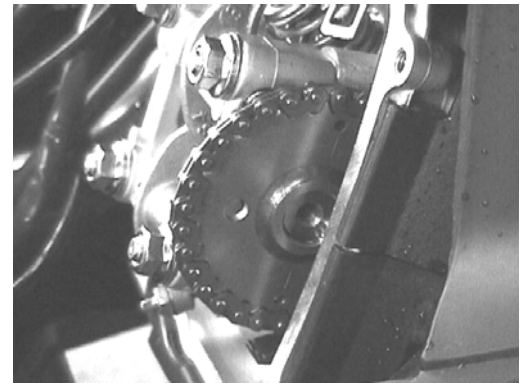


1. Remove cylinder head cover.
2. Remove intake pipe from the cover of cylinder head.
3. Screw out the cap nut.
4. Remove cylinder head.
5. Rotate cooling fan, the mark on cam shaft gear must reach The upper dead position, the "T" mark on generator fly must align with the crankcase mark.

Note: There is depressure reverse rotation device on cam shaft. So never rotate cam shaft reversal when adjusting, otherwise valve can not be adjusted.

- Valve clearance: IN-0.08mm
Ex-0.08mm
- Loosen locking nut, then rotate adjusting nut to adjust the valve clearance.

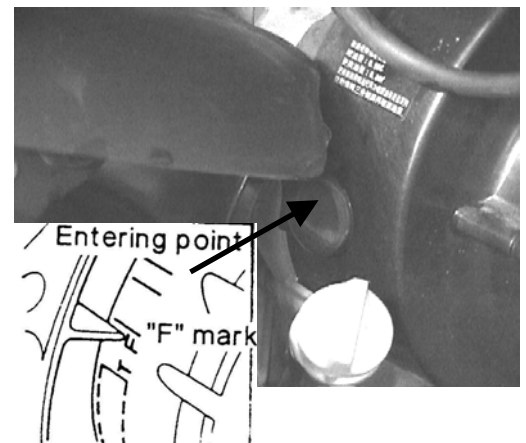
Note: Re-check valve clearance after lock the nut.



(9) Ignition Timing

Note: It is no need to adjust ignition timing and CDI set. When ignition timing is not correct, just check the ignition system.

1. Remove the checking hole cover of ignition timing.
2. Using the ignition timing light to assure the ignition timing is correct.
3. Under idling, it means in good function when crankcase's mark matches to the "F" on the flywheel.
4. Raise the engine revolution to 5000 rpm slowly, it means in good function, if the crankcase's mark matches with Entering point of the flywheel.



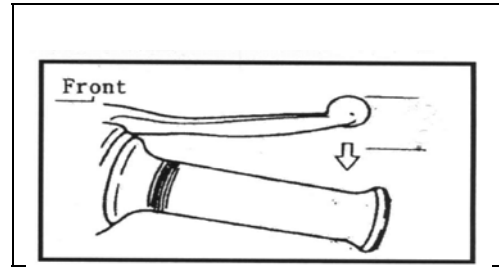
(10) Front Brake Adjustment

1. Check the clearance of front brake lever

Clearance: 10~20mm.

2. If the clearance is beyond standard, check whether:

- a. The air mix into the pipe/caliper.
- b. The oil brake system is leaking.



Note: Try brake lever to see if it's loose. Check the brake oil. once air mixed in the oil pipe, which will reduce or damage the brake efficiency or even its function.

3. Check the oil level:

- a. Refill the brake oil when the level is under the LOWER line.
- b. Oil specification: DOT3

Note:

- a. To prevent the oil splitting onto the parts or clothes, put a piece of cloth on the bottom when refilling.
- b. Be caution not to mix water or particles into the master cylinder when refilling.
- c. Never use the oil that is not complied with spec.
- d. In case the oil stains on the eyes, wash with water at once and then ask for medical care immediately.

(11) Rear Brake Adjustment

1. Check the clearance of rear brake lever.

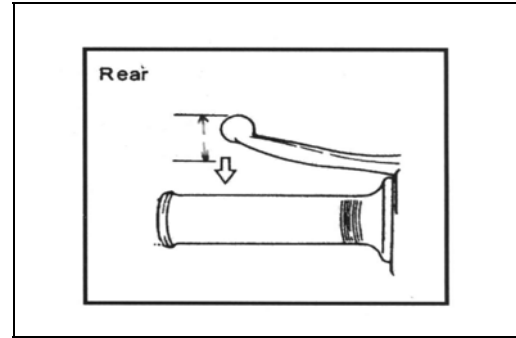
Clearance: 10~20mm

2. If the clearance is beyond the above

Standard, adjust it by rotation the screw.

a. Left-handed rotation-Enlarge the clearance.

b. Right-handed rotation-Reduce the clearance.



Note: When the arrow of rear brake indicator align with the arrow of left crankcase, change the brake lining.

(12) Tire:

1. Check Tire air pressure.

2. Tire pressure:

Front tire: 1.50kg/cm²

Rear tire: 1.75kg/cm²



3. Tire specification:

Front tire: 100/90-10

Rear tire: 100/90-10

Note:

1. Check and adjust the tire pressure when it is too low.

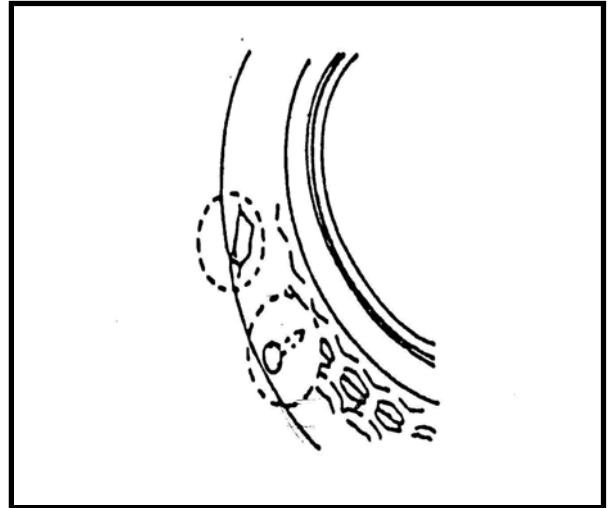
The pressure is according to the carrier, driver, passenger, accessories and cruise speed

2. Proper loading is very important for steering, riding, braking, performance and safety. Never carry any parcel unfastened.

Load the heaviest parcel on the center of vehicle, balancing the weight on both sides.

Beware of the weight loaded properly and check the tire pressure. The total weight of carrier, driver, passenger, and accessories cannot exceed the approved limit. An overload vehicle is easy to cause tire damage and accident for rider

3. Check if there is any sharp object piece the tire.
 4. Check the depth of wheel stripe.
- Depth (front and rear): According to the mark of tire”▲” indicating the necessity to change a new tire.



(13) Throttle cables Adjustment

1. Check the clearance of throttle
2. Normal clearance: 1.5~3.5mm

Adjust it by rotating the adjust nut. Change it if the throttle cables can't be adjusted.

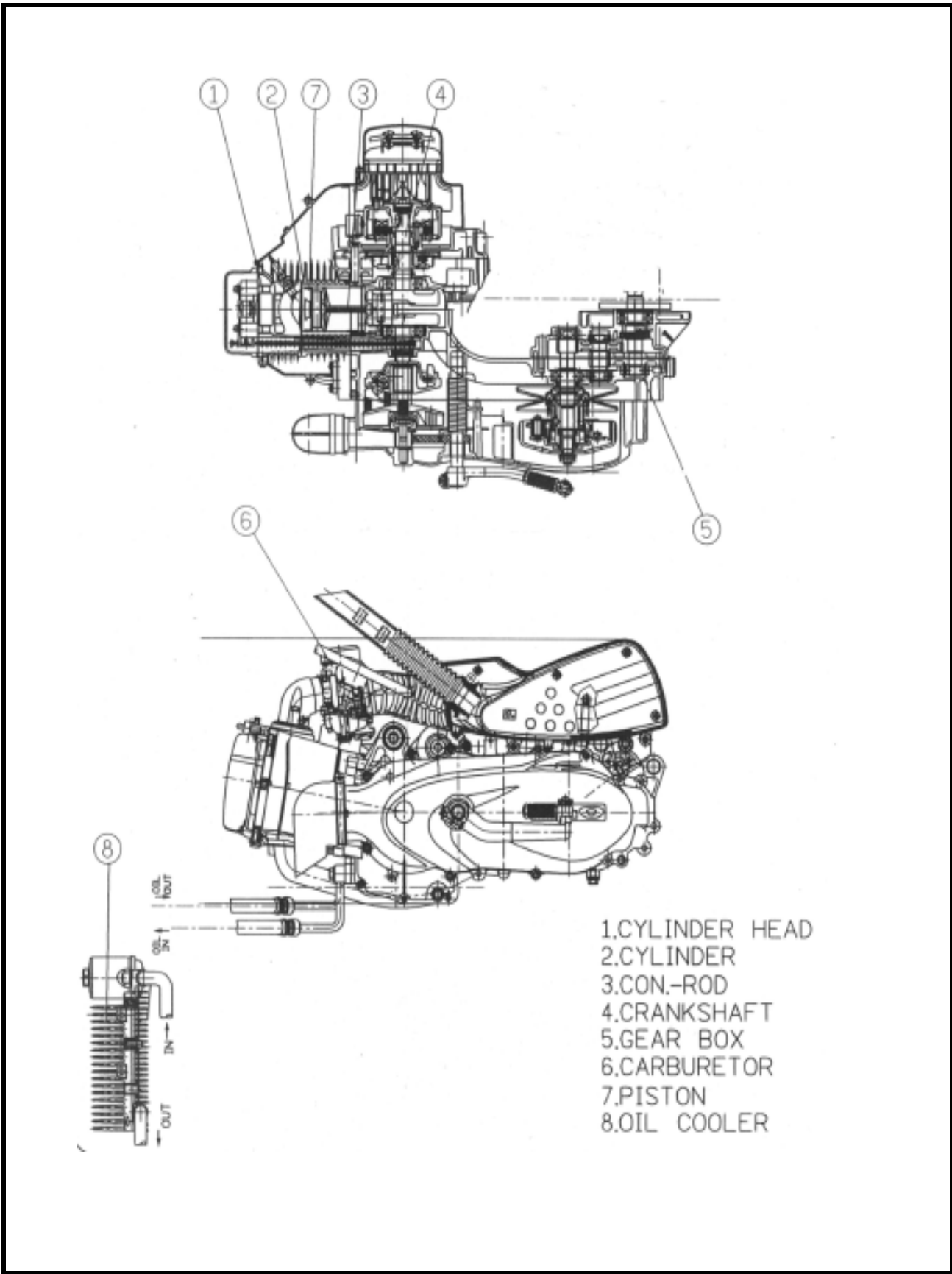


4. Dismantling, Maintaining, Repairing and assembling operation

- (1) Lubrication system
- (2) Plastic parts of Chassis
- (3) Engine dismantling
- (4) Drive pulley, starter, clutch, driven pulley
- (5) Cylinder head and valve
- (6) Cylinder and piston
- (7) AC generator
- (8) Final transmission mechanism
- (9) Crankcase, crank shaft
- (10) Carburetor
- (11) Steering stem, front wheel, frt brake comp., frt fork
- (12) Rear wheel, rear brake, rear damper
- (13) Fuel tank

(1) Lubrication System

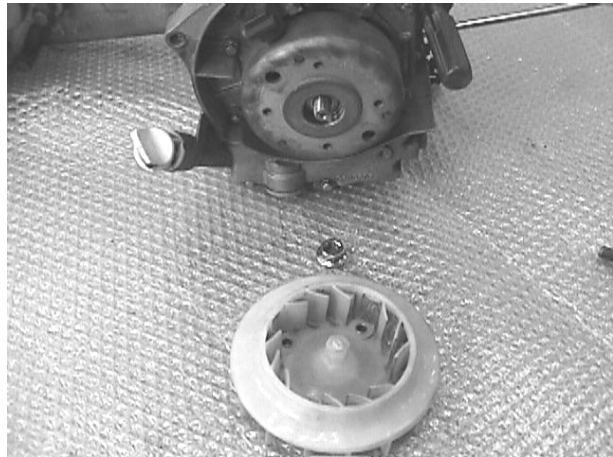
Lubrication System Diagram (PA150)



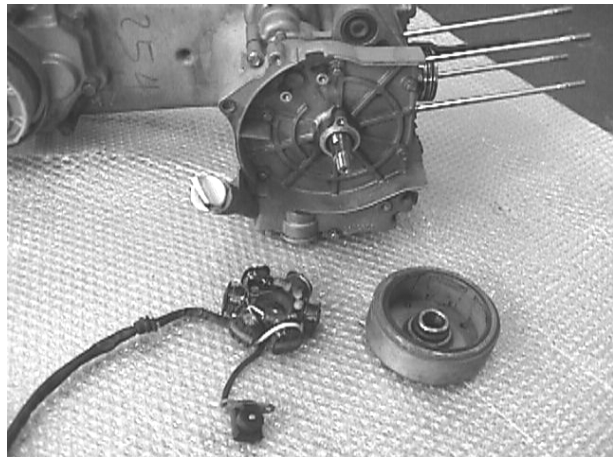
Oil Pump

Dismantling

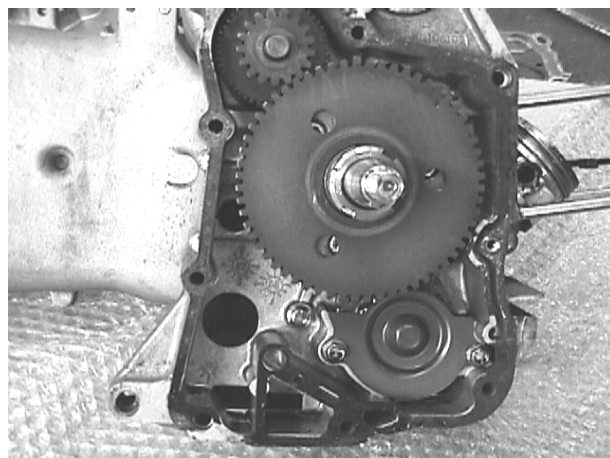
1. Remove the muffler.
2. Remove the AC flywheel magneto.



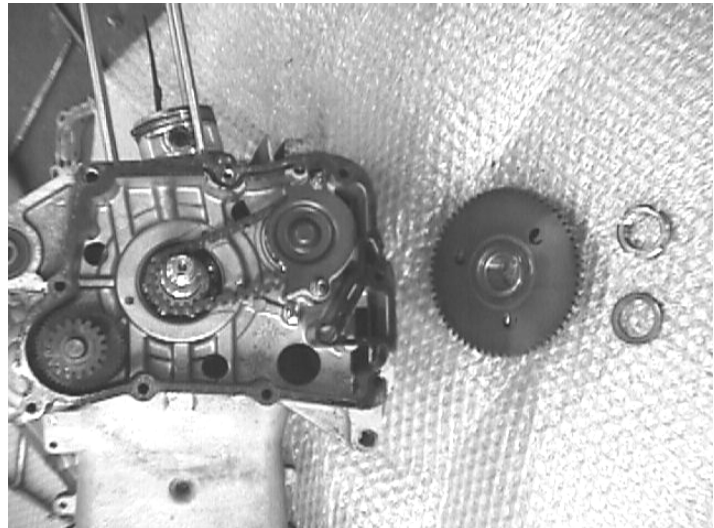
3. Remove the AC generator coil.
4. Take off the locking bolts of the right crankcase cover.
5. Remove the crankcase cover



6. Remove the washer, lock pin
7. Remove starter reduction gear and the starting clutch.

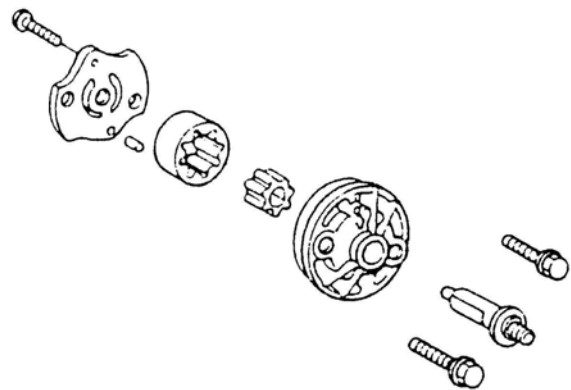


8. Remove oil pump separate plate by taking off the 2 bolts.
9. Remove the bolts from oil pump driving gear
10. Take off the driving gear and chain.
11. Remove the oil pump by taking off the locking bolt of the oil pump.



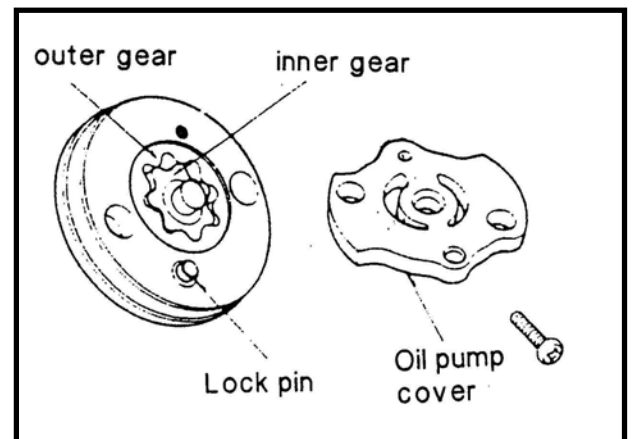
Assembly

1. Install the inner and outer of the oil pump.
2. Install the oil pump shaft.



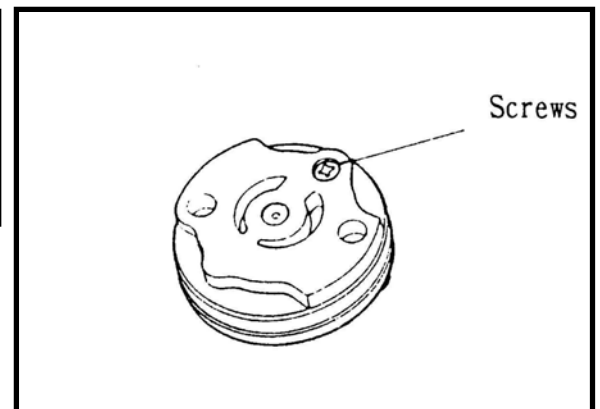
Note:
The notch of the oil pump shaft should comply With the notch of the inner gear.

3. Install the lock pin.
4. Match the lock pin hole to the pump cover and install the oil pump cover.
5. Put on the screws and tighten them.
6. After installing, turn the shaft lightly to assure installation.
7. Place the oil pump into the crankcase.



Note:
When installing, the arrow on the oil pump body should be pointed upwards. Then fill in the recommended oil before the installation.

8. Tighten the oil pump after installation.



Measurement data

item		Standard Value (mm)	Limit of use (mm)
Oil pump	Clearance between the inner gear And outer gear	–	0.12
	Clearance between the outer gear And oil pump body	0.045-0.10	0.12
	Clearance between gear end and Oil pump body	0.045-0.10	0.12

Troubleshooting

Reduction in fuel oil volume

- a. Natural consumption
- b. Leakage of fuel
- c. Piston loop seizes, or improperly installation
- d. Worn out of valve's oil seal

Engine burning-out

- a. Zero or too low oil pressure
- b. Blockage in oil route
- c. Did not use the fuel oil recommended

(2) Plastic parts of Chassis

A. Dismantling the plastic parts



1. Removal of luggage compartment

- Open the seat, take off the screws of the luggage compartment.

2. Removal of fuel tank

- Open the lock cover of the fuel tank.
 - Take off the fuel tank cover.
 - Take off both the right and left handles by removing the screws off.



3. Removal of left and right hand

Side covers.

- Take off the screws of left and right side covers.

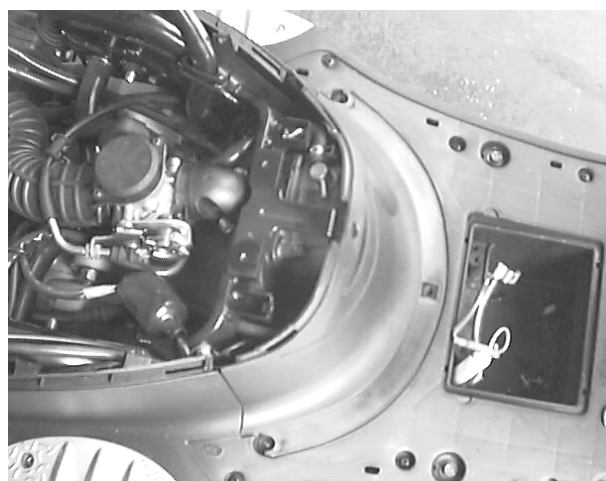


- Remove the left and right hand side cover.



4. Removal of front mudguard

- Remove the screws of front fender.
- Take off the front mudguard.

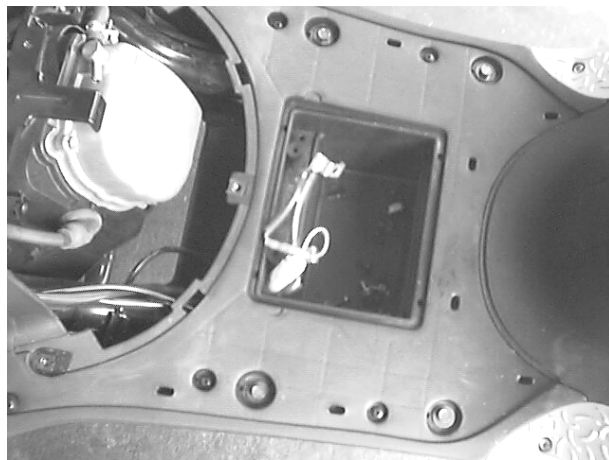


B.Dismantling the Fender

- 1.Take off the screws of front inner cover
And fender.
- 2.Take off the screws between the front
Fender and chassis.
- 3.Separate the head light and signal lamp
Cable.



- 4.Take off the fender.



C. Dismantling the upper handle cover.

1. Remove the left and right Back mirror.
2. Remove the screws of upper And lower handle cover.
3. Unplug the speedometer cable.
4. Unplug each switch cables.



5. Remove the upper handle cover.



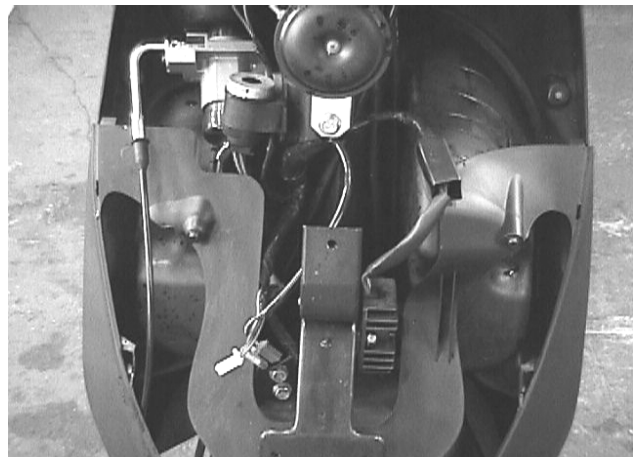
D.Dismantling the step plates and lower
Mudguard:

- 1.Take off the screws of the four
step plates and take off the four
step plates.
- 2.Screwing out the screws of lower
mudguard.



E.Dismantling the step floor and front
inner cover:

- 1.screwing out the screws of battery
cover.
- 2.Disconnect the negative, then
positive cable.
- 3.Screwing out the screws between the
step floor and front inner cover
Take off the front inner cover.



- 4.Pull out both the negative and
Positive battery cables, Take off
The step floor.
- 5.When assembling, the procedures
Will be reversed.

M6:0.7-1.1kgf-m

M5:0.35-0.5kgf-m

Note:Avoid clamping and scraping the
Cables or pipes by the plastic parts.



(3)Engine dismantling:

A.Dismantling engine

B.Installing engine

A. Dismantling engine

1. Take off the luggage compartment.
2. Take off the left and right body covers.
3. Take off the lower mudguard fender.



4. Remove vacuum pipe, fuel pipe, auto choke, cap of spark plug, rear brake cable carburetor pipe, engine suspension nut, starter motor cable, flywheel plate and rear damper bolt.



5. Remove the engine.

B. Installing Engine

1. To install engine, please reverse the Above procedures.
2. Locking torque:
 - M8: 2.0-3.0kgf.m
 - M10: 3.0-4.0kgf.m
 - M12: 5.0-6.0kgf.m
3. After installing, please do the following Checking and adjustment:
 - a. Wiring for each circuit.
 - b. Throttle cable
 - c. Rear brake adjustment
 - d. fuel and oil route



(4) Drive pulley, starter clutch. driven pulley

- A. troubleshooting
- B. Measurement data
- C. Driving pulley
- D. Starter
- E. Clutch driven pulley

A.Troubleshooting:

a.Engine starts, but vehicle don't move.

- 1.driving belt worn out
- 2.driving plate worn out
- 3.clutch lining worn out
- 4.driving plate's spring broken

b.the vehicle stops or tremble when running.

- 1.clutch lining spring cracked or broken.

c.Can't reach high speed, no pick-up

- 1.driving belt worn out.
- 2.Driving plate spring distortion.
- 3.Weight roller worn out
- 4.Driving plate dirty.

Note:

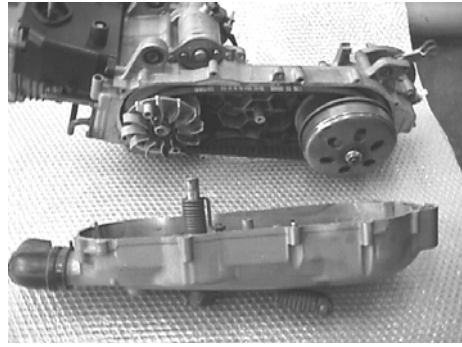
No grease and oil should be distributed over driving belt and driving plate.

B2..Measurement data for buddy170

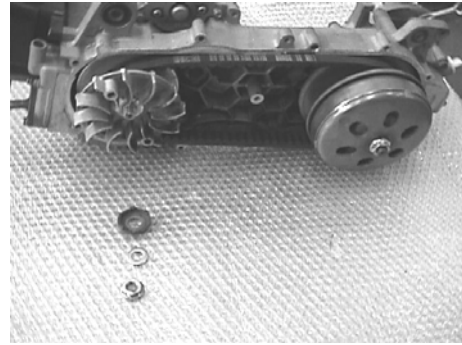
Item	Standard value (mm)	Limit of use (mm)
The inner dia. Of slide driving plate	24.011~24.052	24.10
The outer dia. Of boss, movable Driving plate	23.96.~23.974	23.94
Belt width	20.0~21.0	19.0
Clutch lining thickness	3	1.5
Clutch lining thickness	125.0~125.2	125.5
Driven plate spring, free length	151	127
The outer diameter of driven Plate sets	33.965~34.025	33.95
The inner diameter of slide Driven plate	34.000~34.025	34.06
The outer diameter of weight Roller set	17.920~18.080	17.40

(C)Driving Pulley

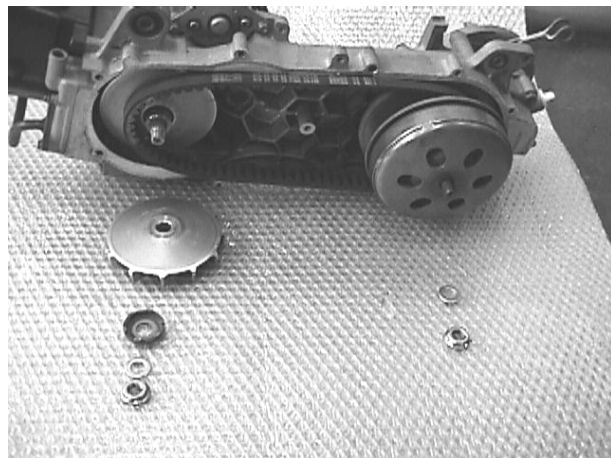
1.Take off the screws of
Left cover, Remove the left cover.



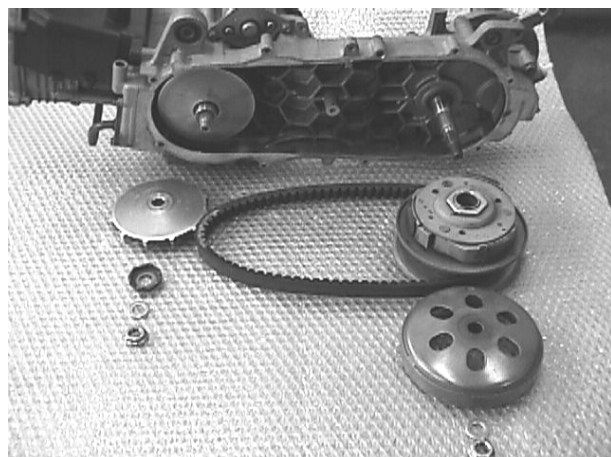
2.Remove the lock nuts of driving
Plate and the nuts of Starter gear
And clutch.



3.Take off the ramp plate,
Belt and clutch.



4.Take off the boss and driving plate.



4. Continuous Various Transmission engagement speed inspection

- Connect an electric tachometer.
- Seated on the motorcycle with on level ground, increase the engine's speed slowly and notice the RPM at which the motorcycle begins to move forward.

Specified Engagement RPM : 3800 ± 300 rpm

5. Clutch "LOCK-UP" inspection

- Apply the rear brake as firm as possible
- Briefly open the throttle fully and notice the maximum engine RPM sustained during the test cycle.

Specified Clutch "LOCK-UP" RPM : 5100 ± 400 rpm

5.To assemble the driving pulley, reverse the whole procedure.

Locking torque:

1.Nut of driving pulley M10:4.0-5.5kg/m.

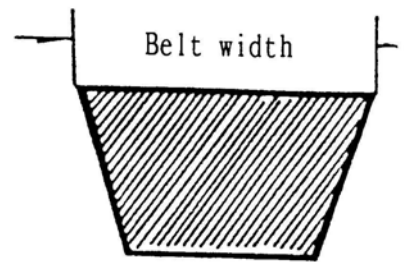
2.Locking nut of clutch M10:4.0-5.5kg/m

6.Checking driving belt

(1)check driving belt is cracked or not
rubber and fiber is loosened or not
also check if they are extraordinary
worn out.

(2)driving belt width:

change it below using limit



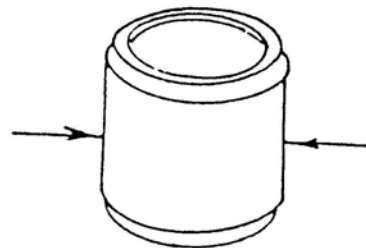
7.Disassemble slide driving plate set.

(1)Remove bush of slide driving plate.

(2)Remove screw, and disassemble the
cover of slide driving plate.

(3)Remove ramp plate.

(4)Remove weight roller.



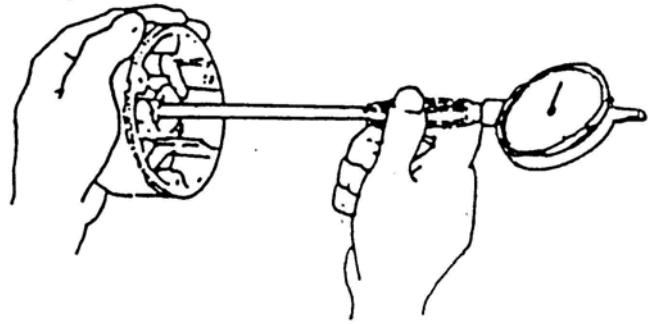
8.Checlomg

(1)Check the wearing condition of
weight roller.

change it below when below using limit

Check the wearing condition

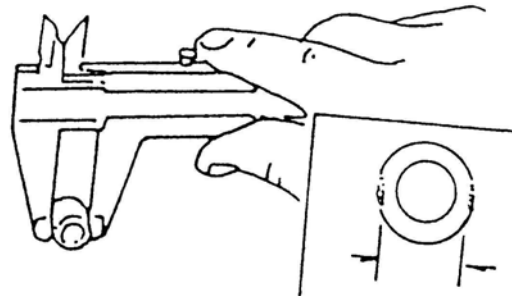
- (2) Check gasket inner dia of slide driving plate: limit of use : change it over 24.1mm.



- (3) Check the driving pulley surface wearing condition.

- (4) Check the outer diameter of the contact surface of the movable driving plate.

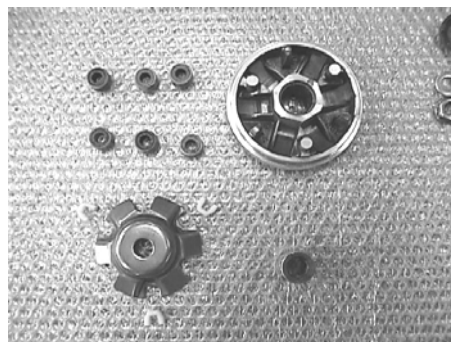
limit of use : change it below 23.94mm.



9. Assemble the slide driving plate.

- (1) Clean up the inside surface of slide driving plate, then assemble the roller.
- (2) Assemble the ramp plate.

- (3) Other procedure refers to the opposite procedure of disassembling.



D.Starter dismantle

1.Dismantle left crankcase cover

2.Remove hexagon nut, then remove the starter lever.

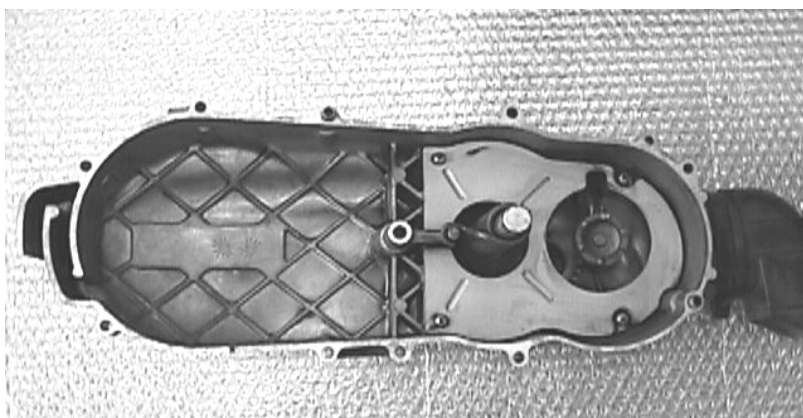
3.Remove five screw of separated plate.

4.Remove start spring from
start returning positioner.

5.Remove driven gear comp. of
kick starter.

6.Remove the retaining C-type
Ring.

7.Remove spindle comp.
of kick starter.



8.Checking starter

a.Check the wearing condition of the outer diameter of spindle comp and the inner diameter of bush and gear.

b.Check the wearing condition of shaft of driven gear comp. Gear sets and ratchet.

9.Assembling the starter

Assemble the starter follows the.

Opposite procedure of dismantling.

Locking torque : M6:1.0~1.2kg/m.

Note:

①Make sure one end of the torsion spring is hooked on the groove of driven gear, and another end of torsion spring is hooked on the pole of inside of left crankcase.

②Put some grease in every shaft and gear sets before assembly.

E. Clutch driven pulley

1. Dismantling the clutch

- a. Remove left crankcase cover.
- b. Remove driving plate.
- c. Remove driving belt.
- d. Remove locking nut, then remove clutch.

2. Assemble the clutch : follows the opposite procedure of dismantling.

Locking torque:

M10:4.0~5.5kg.m

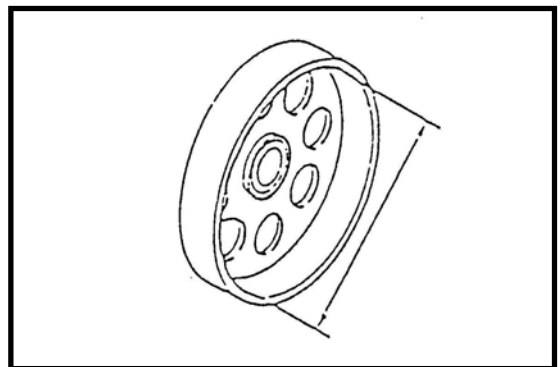
3. Checking clutch:

dismantling tool

a. Check clutch driving face.

Check clutch cover about its wearing condition
And inner diameter measurement.

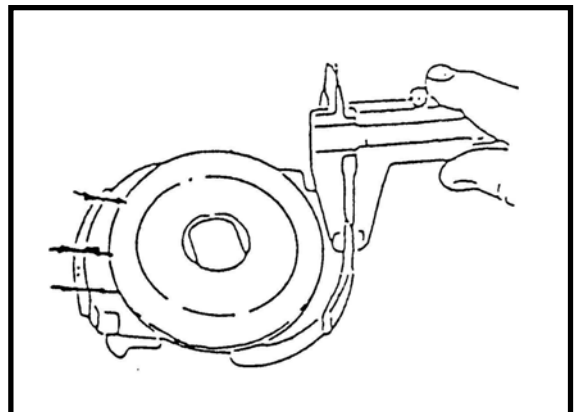
- limit of use: change it above 125.5mm



b. Check clutch lining wearing condition and

Measure the lining thickness.

- limit of use : change it below 1.5mm.



c. Check driving spring free length.

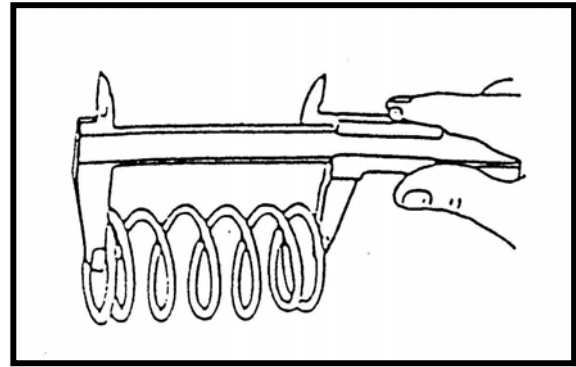
Standard: 151mm

Limit of usage:

Change it below 127 mm

d. Check wearing condition of driving plate sets. And measure outer diameter.

● limit of use: change it above 33.95mm.



e. Check wearing condition of slide driven plate.

And measure its Inner diameter.

● limit of use : change it above 34.00mm.

f. Check is there any wearing occur to the ditch

g. Check wearing condition of oil seal, if necessary, change a new one.

(5)Cylinder head and valve

A.Trouble shooting

B.The operation data information

C.Dismantling and installing

A. Troubleshooting.

If the cylinder head is malfunctioned, usually it can tell from the measurement of the Compression pressure or from the noise that comes from the upper part of the engine.

1. Unsmooth idle speed

-Compression pressure is too low.

2. Insufficient compression pressure.

-Poor adjustment of valve clearance

-Valve being burned out or bent

-Valve timing is not correct

-Valve spring is damaged.

-Poor sealing of valve base.

-Leakage in Cylinder head gasket.

-Cylinder head twisted or cracked.

-Spark plug is not properly installed.

3. Compression pressure is too high.

-There is too much carbon accumulated in the combustion chamber.

4. There is white fume coming out from the exhaust pipe.

-The valve stem or valve guide pipe is worn out.

-Valve stem's oil seal is damaged.

5. Abnormal noise

-Poor adjustment of valve clearance

-Valve burned or damaged spring

-Camshaft is worn out.

-Chain adjuster is worn out.

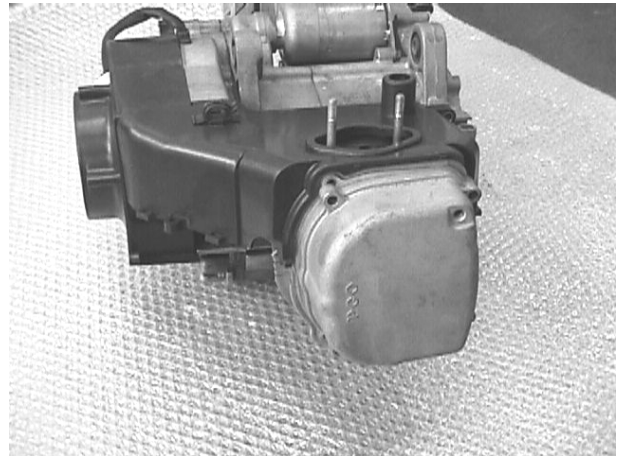
-Camshaft, valve rocker arm is worn out.

B. The operation data information

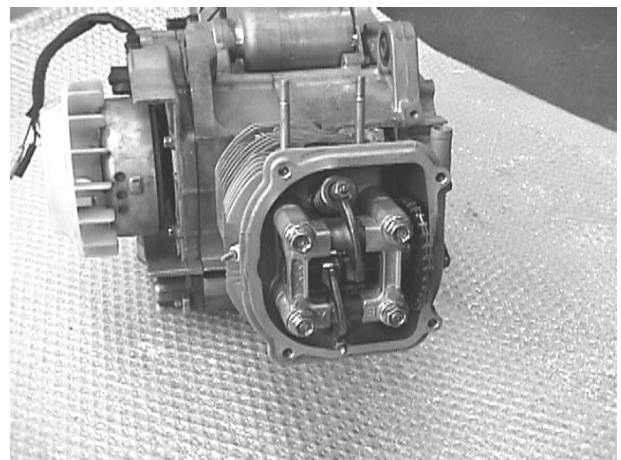
Description	IN/EX	Standard Value (mm)	Limit of use (mm)
Clearance between adjuster tapped Screw and valve stem (Before warm up)	IN	0.08	—
	EX	0.08	—
Compression pressure(throttle open full)		8.2kw/7000rpm	
Height of the cam's convex part	IN	26.625(150CC)	26.23(150CC)
	EX	26.53(150CC)	26.13(150CC)
Inner diameter of rocker arm shaft	IN	10.00~10.015	10.10
	EX	10.00~10.015	10.10
Outer diameter of rocker arm shaft	IN	9.972~9.987	9.91
	EX	9.972~9.987	9.91
Valve base angle	IN&EX	1.0	1.8
Outer diameter of valve stem	IN	4.975~4.900	4.90
	EX	4.955~4.970	4.90
Inner diameter of valve guide	IN	5.000~5.012	5.30
	EX	5.000~5.012	5.30
Clearance between valve stem and Valve guide	IN	0.010~0.037	0.08
	EX	0.030~0.057	0.10

C.Dismantling and installing the Cam shaft

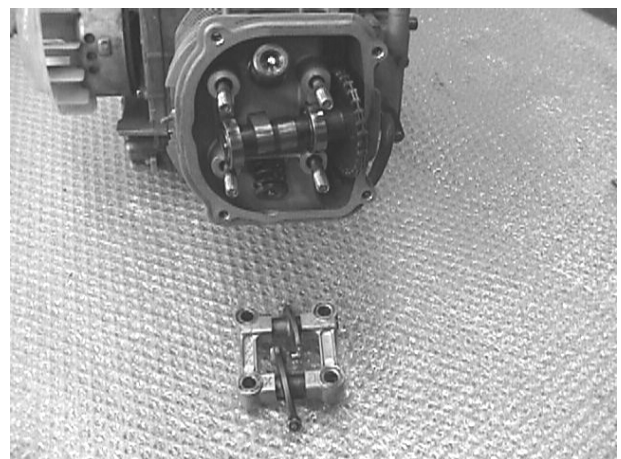
- 1.Take off the left cover.
- 2.Remove the intake pipe from the Cylinder head cover.
- 3.Take off the 4 bolts of the cylinder head cover and take off the cylinder head cover.



- 4.Turn the flywheel counterclockwise and let the "T" mark on the flywheel point to the crankcase mark and make the round hole on the cam chain gear point upwards.



- This is the upper dead point of compression.
- 5.Take off the cam shaft holder, the nut and the locking pin.
 - 6.Remove the cam gear from the cam chain.
 - 7.Remove the cam shaft.



Check cam shaft

Check the convex surface and the height and see whether it has been damaged.



Limit of Use:

IN :replace it below 26.23mm(150CC)

EX :replace it below 26.13mm(150CC)

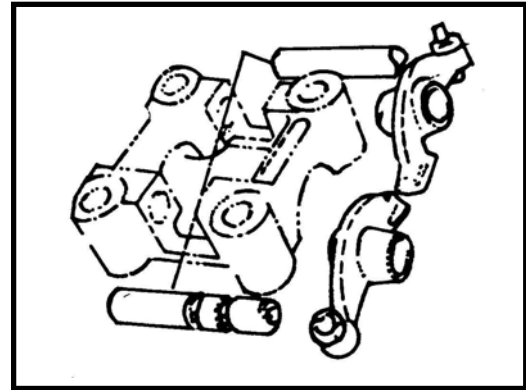
Check camshaft. If the bearing is loosen or worn out, change the whole set if necessary.

Check cam shaft holder

1.Check the cam shaft holder, cam rocker arm, and cam Rocker arm shaft and see whether it is loosen or worn out.

NOTICE:

Do check if there is any damage on the cam rocker arm Sliding surface.



2.Cam shaft holder and cam rocker arm outer dia measurement:

Limit of use : replace it above 10.10mm.

3.Cam rocker arm inner dia measurement:

Limit of use : replace it above 10.10mm.

4.Cam rocker arm shaft and rocker arm outer dia measurement:

Limit of use : replace it below 9.91mm.

5.Clearance between the Cam rocker arm and rocker arm shaft.

Limit of use : replace it above 0.10mm.

WHEN INSTALLING:

1.The mark “EX” on the cam shaft holder is the exhaust rocker arm, one-way stopper.

Install the exhaust rocker arm, the inlet rocker arm, and the rocker arm shaft.

NOTICE:

a.The tangen angle of the heat side of intake valve’s rocker arm shaft is to match with the bolt of the cam holder.

b.The tangent angle of the exhaust valve’s rocker arm shaft is to match with the bolt of the cam holder.

2.Turn the flywheel to make the T mark pin correctly. The hole on the cam chain gear should point upwards. Both the left and right concave points and the cylinder head are at parallel position (convex part of cam shaft points upwards), then install the cam shaft on the cylinder head.

3.Install the cam chain onto the cam shaft gear.

4.Install the locking pin.

5.Install the camshaft holder, washer and nuts on the cylinder head.

6.Lock tightly the cylinder head nuts.

Locking torque: Cam shaft holder nuts:2.0kg-m

NOTICE:

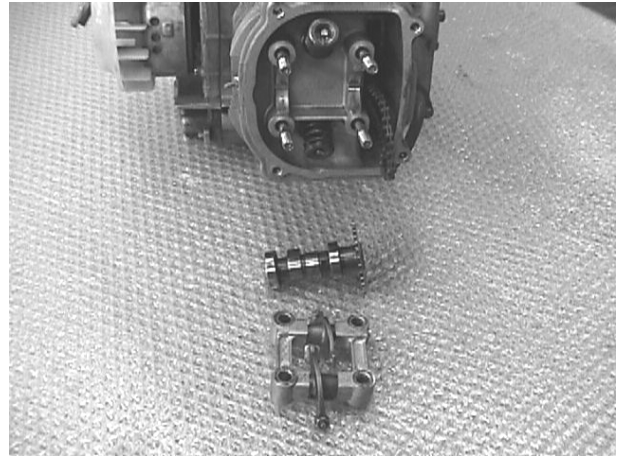
a.Put some grease on the bolt thread of cam shaft holder

b.Lock the nuts of the cam shaft bracket in “cross” sequence for 2-3 times.

7.Adjust the valves clearance.

Dismantling the cylinder head:

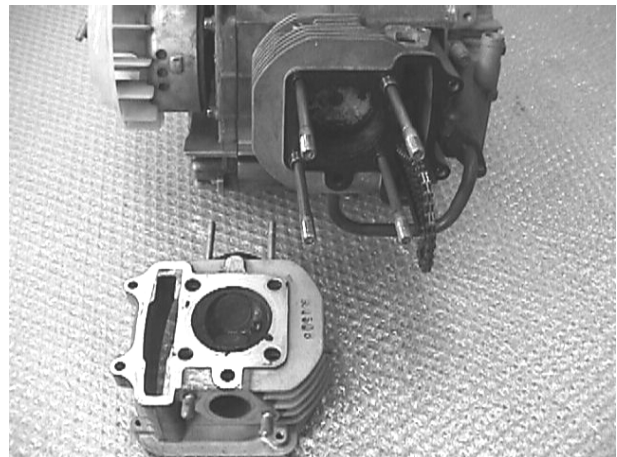
- 1.Remove the carburetor.
- 2.Remove the muffler.
- 3.Remove the fan cover.
- 4.Remove the bolts on the engine cover.
- 5.Remove the camshaft.



- 6.Remove the cylinder head
- 7.Remove the lock pin, cylinder head gasket.
- 8.Remove cam chain guide

Notice:

- Not to injure the contact surface of the cylinder.
- Avoid any object dropping into the engine.



Further dismantling

- Use the valve contracting tool to remove valve pin, supporter, the valve spring collar, valve spring and valve stem oil seal.

Notice:

- Valve Spring has to be operated by the valve spring contractor.
- To assemble the cylinder head, please follow the opposite procedure as above.

(6)Cylinder and piston

- A.Trouble shooting
- B.The Operation notice
- C.Data
- D.Dismaniling cylinder, piston
- E.Installing cylinder, piston

C.Data ()

Part name /description		Standard value (mm)	Limit of use (mm)	
Cylinder	Bore	61.000~61.010	61.10	
	Curve	-	0.05	
	Cylindrility	-	0.05	
	Roundness	-	0.05	
Piston/ Piston ring	Clearance b/w Piston and Piston ring	1st ring	0.02~0.06	0.10
		2 nd ring	0.01~0.05	0.10
	Clearance of cutting section	1st ring	0.15~0.35	0.50
		2 nd ring	0.15~0.35	0.50
		side ring	0.2~0.7	0.9
	Piston outer diameter		60.980~60.960	60.90
	Measuring location of piston outer dia.		Down to7.5mm from the piston skirt	---
	Clearance b/w piston and cylinder		0.025~0.035	0.10
Piston pin hole inner dia		15.000~15.006	15.045	
Piston pin outer diameter		15.000~14.994	14.960	
Clearance between piston and piston pin		0.020~0.017	0.025	
Connecting rod small end inner dia		15.010~15.028	15.060	

A. Troubleshooting.

a. Compression pressure is too low, difficult to start engine and engine running unsmoothly.

1. Cylinder head gasket cracked
2. Spark plug is not well locked
3. Piston ring worn out or cracked
4. Cylinder, piston worn out.
5. Reed valve is out of order.

b. Compression pressure is too high; Engine overheating; abnormal noise.

1. piston tip has too much carbon accumulated.

c. Abnormal piston noise

1. Cylinder and piston worn out.
2. Piston pin hole or Piston pin worn out.
3. Connecting rod small end or bearing worn out.

d. Abnormal piston or cylinder noise

1. Piston ring worn out or cracked
2. Cylinder worn out or cracked

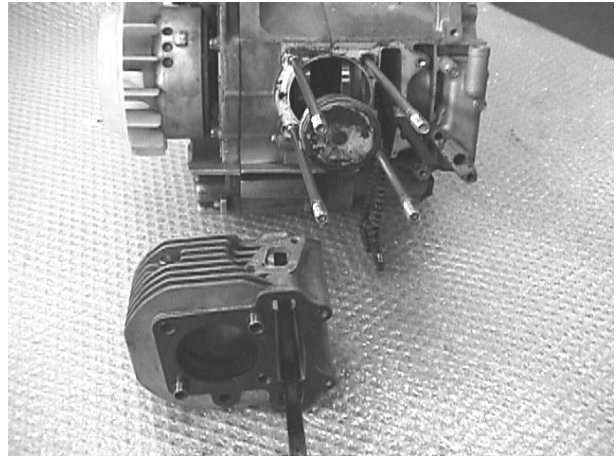
B. The operation notice

1. Clean before operation to avoid particles dropping into the engine.
2. The contact surface of gasket must be clean.
3. Dismantle cylinder and cylinder head by screw driver. Do not injure the contact surface.
4. Cylinder inner surface and piston outer face can't be injured. Contact Surface should lubricate by specified oil.

D.Dismantling

a.Dismantling Cylinder

- 1.Remove the cylinder head.
- 2.Remove 2 bolts, then the camshaft chain adjuster
- 3.Remove CAM chain guide.
- 4.Remove cylinder.
- 5.Remove the cylinder gasket, lock pin and clean the gasket on the cylinder.



b.Dismantling piston

- 1.Remove the piston pin clip.

NOTICE:

Dot' drop the clip into the crankcase.

- 2.Remove the piston pin and take off the piston.
- 3.Check piston, piston pin, piston ring.
- 4.Remove the piston ring

NOTICE: NOTICE:

Don't make piston ring worn out or damaged

- 5.Clean the carbon in the groove of the piston ring.

c.PISTON OUTER DIA MEASUREMENT:

- 1.Measuring location:

Perpendicular to the piston pin hole, down to 5mm(BUDDY170) from the piston skirt.

Limit of use : change it when less than 61.0mm.

- 2.The clearance between the piston and piston pin:

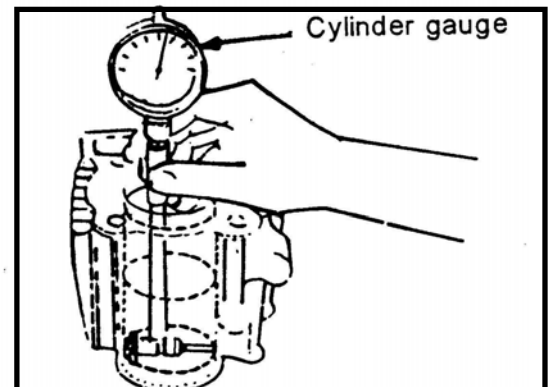
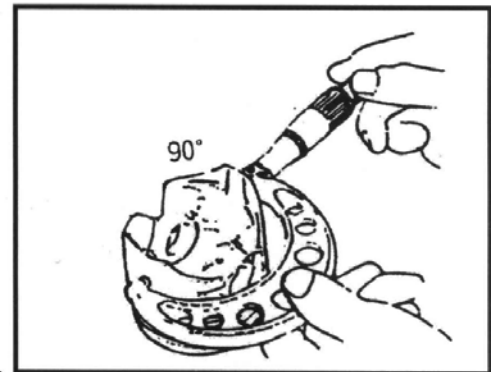
Limit of use : change it when above 0.005m.

- 3.Checking any wearing, damage inside the cylinder.

Vertical to piston pin, and in X-Y direction to measure cylinder bore from the upper, middle and lower location.

Limit of use : Change it when above 61.10mm.

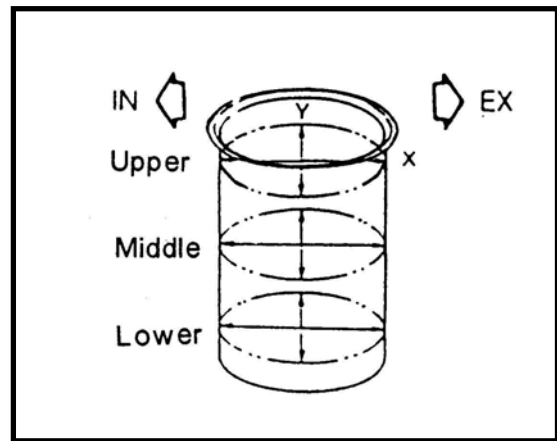
- 4.The maximum clearance between the cylinder and piston pin.



Limit of use : Change it when above 0.1mm.

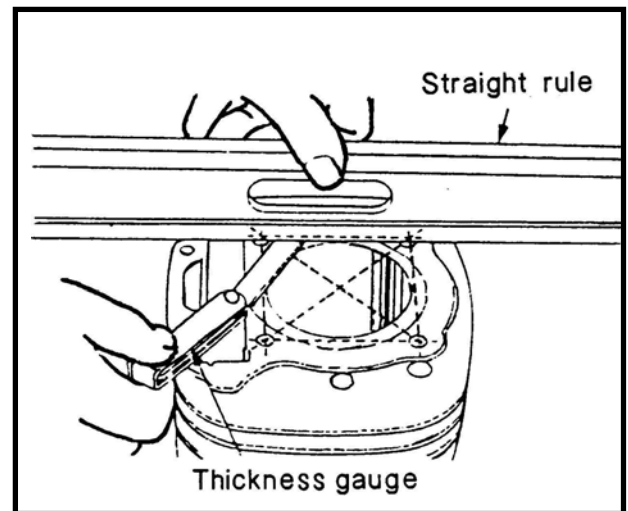
5. The difference between the X and y is the roundness.
6. The cylindricity is the max value of the difference between the upper, Middle and lower position of the inner dia in X or Y direction.

Limit of use : Roundness: change it when above 0.05mm.
Cylindricity: change it when above 0.05mm.



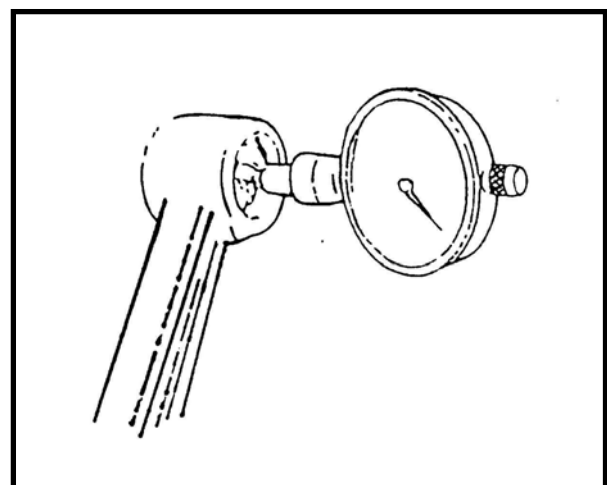
d. Checking the flatness of cylinder contact surface.

Limit of use : change it when above 0.05mm.



e. Connecting rod small end inner diameter measurement.

Limit of use : change a new one when above 15.060mm.(170ENGINE)



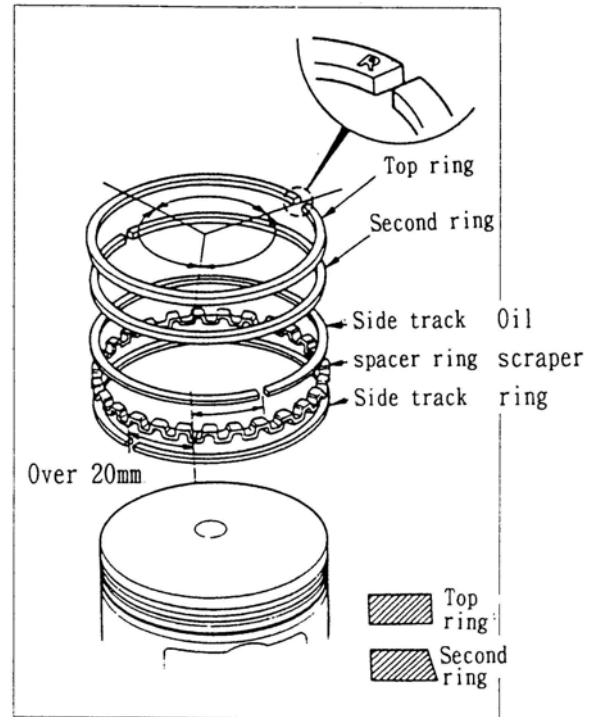
E. Installing Cylinder and piston

a. Installing piston and piston rings

1. Lubricate the piston rings by motor oil.

NOTICE:

- a. Be careful not to scratch the piston and not to break the piston ring.
- b. The mark (on the ring) should be upward when installing.
- c. After installing, the ring should be smoothly rotated.



2. Clean up the residual gasket on the crankcase.

NOTICE:

Do not drop other objects into the crankcase.

3. Assemble the piston, piston pin and piston pin clip.

NOTICE:

- a. The mark "IN" on the piston tip should face to the INLET side.
- b. Do not drop the piston pin clip into the crankcase and to clog the crankcase with rags.

b. Installing piston

1. Fix the lock pin and gasket on the crankcase.
2. Lubricate the Cylinder inner surface, piston and piston rings by Motor Oil.
3. Install the piston ring into the cylinder carefully.

NOTICE:

- a. The piston ring cannot be damaged or cracked.
- b. The cutting section of three rings must be arranged at intervals of 120°

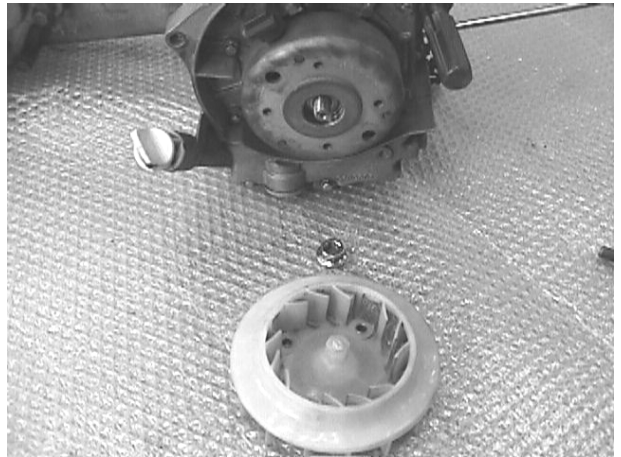
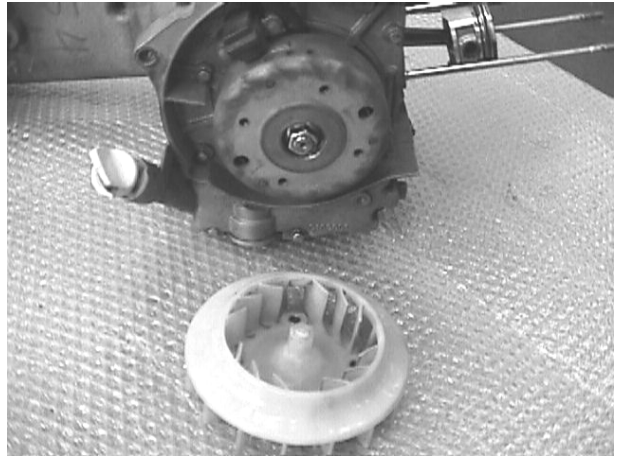
(7)A.C. Generator

A.Dismantling AC generator

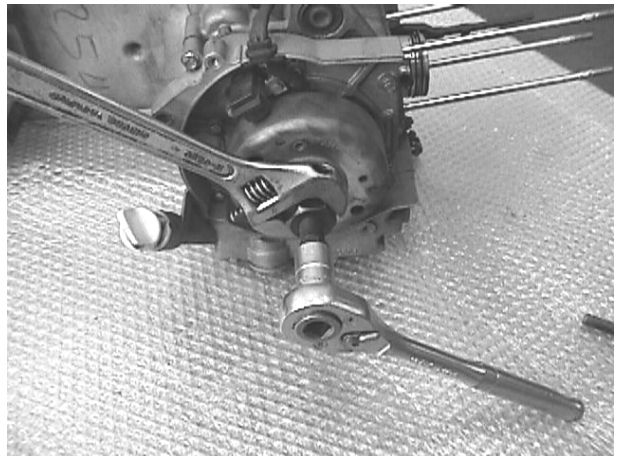
B.Installing AC generator

Dismantling AC generator

1. Remove fan cowl.
2. Remove the M6 screws
3. Remove screws of flywheel magneto.
4. Remove the AC flywheel magneto by special tool.



5. Remove the flywheel.
6. Remove the electric plug of AC flywheel magneto.



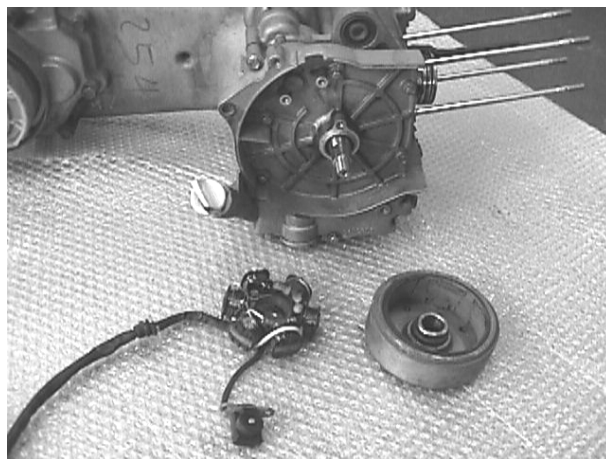
B. Installing AC generator

To install, please reverse the dismantling procedure.

Locking torque:

M6: 1.0~1.2kg/m

M10: 3.2~4.0kg/m



(8)Final transmission mechanism

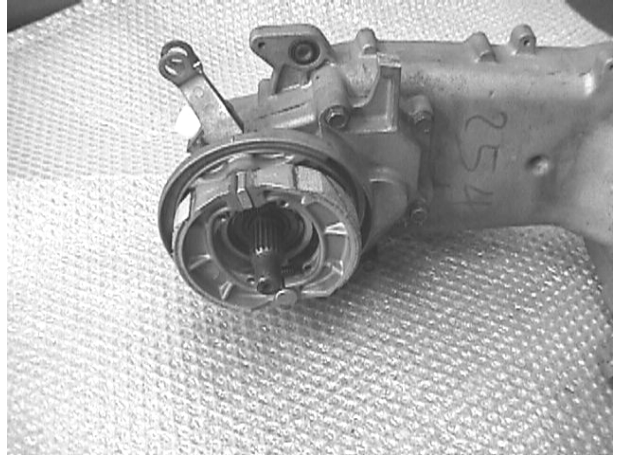
- A. Troubleshooting.
- B. Dismantle the final transmission mechanism.
- C. Check the final transmission mechanism.
- D. Assemble the final transmission mechanism.

A. Troubleshooting

- Engine can be started, but the vehicle doesn't move.
 - 1.Gear worn-out or cracked.
 - 2.Gear burnt out.
- Noise occur when running.
 - 1.Gear worn out, burnt or gear surface.
 - 2.Bearing worn out of loosen.
- Oil leakage
 - 1.Too much oil
 - 2.Seal worn out or damaged.

3.B. Disassemble the final transmission mechanism:

1.Remove the rear wheel.

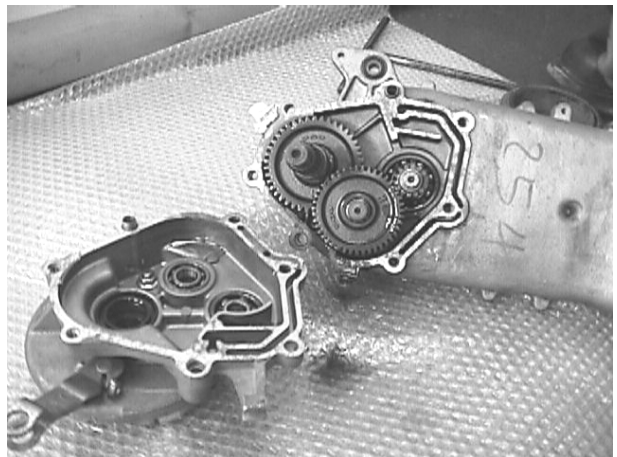


2.Drain the oil in the gear box.



3.Remove the bolt in the gear box cover.

Take off the gear box.



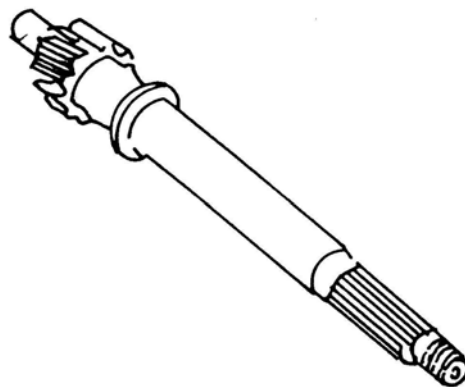
4.Remove the final reduction gear
And idle gear.

5.Clean up the gear box.

C. Check the final transmission mechanism

1.Check the wearing condition of driving shaft and gears.

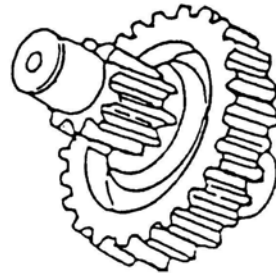
Gear teeth number: 16 T (buddy170)



2. Check the wearing condition of idle gear shaft and idle gears.

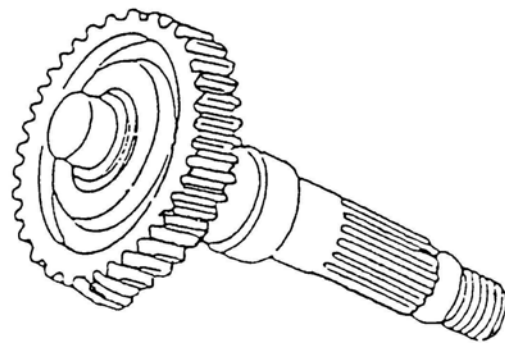
Gear teeth number

40/13T (buddy170)



3. Check the wearing condition of the final reduction gear.

43T



4. Check the wearing condition of the oil seal and bearing.

D. Assemble the final transmission mechanism, please follow the opposite procedure of disassembling. After locking the drain bolt, refill 110cc of gear oil SAE90.

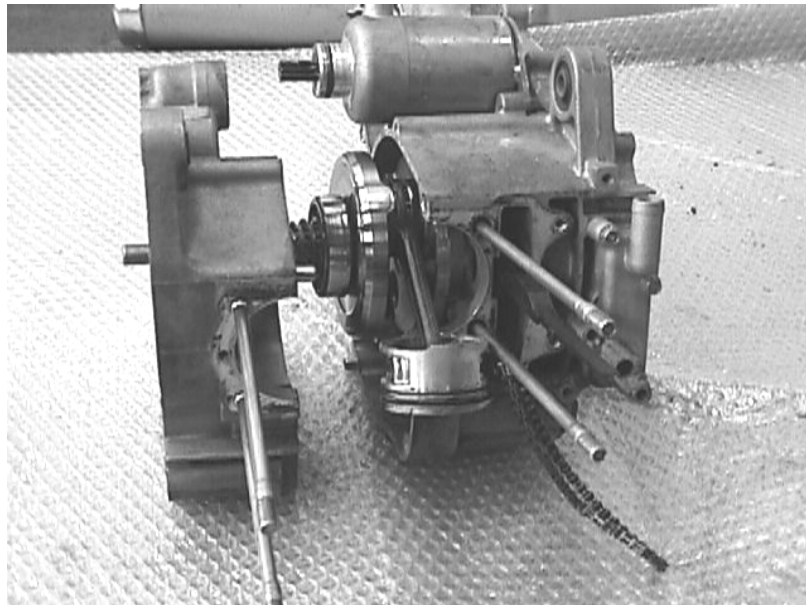
Locking torque:	M6: 1.0~1.2kg/M
	M10: 3.5~4.0kg/M
Drain bolt:	M8: 1.8kg/M

(9)Crankcase, Crankshaft:

- A. Disassembling diagram.
- B. Troubleshooting.
- C. Data
- D. Remove crankcase and crankshaft.
- E. Check crankshaft.
- F. Assemble the crankcase.

A. Disassembling diagram

Torque: 1.0~1.2kg-m



B. Troubleshooting

Engine noise:

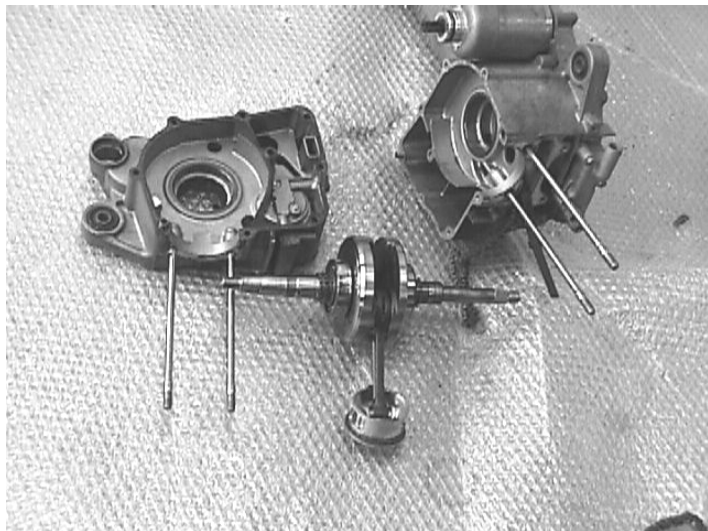
- 1.The bearing of final transmission mechanism is loosen.
- 2.Crank pin of bearing is slack.
- 3.The bearing of gear box is loosen.

C.Data

Item	Standard value(mm)	Limit of use.(mm)
Clearance of connecting rod big end axle direction	0.15~0.35	0.55
Clearance of connecting rod big end vertical direction.	0.006~0.014	0.05
Swingness of the crank shaft journal.	0~0.015	0.05

D. Remove the crankcase and crankshaft by the following procedures:

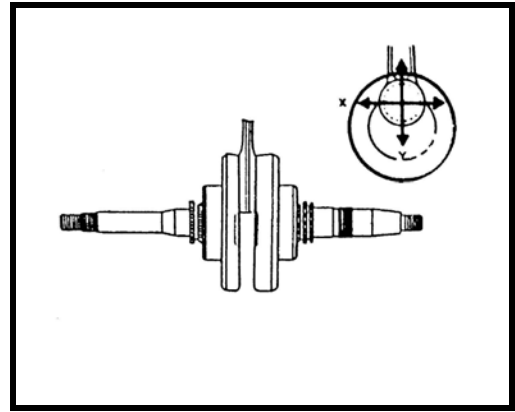
- 1.Remove the engine.
- 2.Remove the muffler.
- 3.The carburetor.
- 4.Engine corer.
- 5.Cylinder head.
- 6.Cylinder.
- 7.The driving plate.
- 8.AC flywheel magneto.
- 9.The starter clutch.
- 10.Oil pump.
- 11.Bolts of left/right crankcase.



E. Check crankshaft

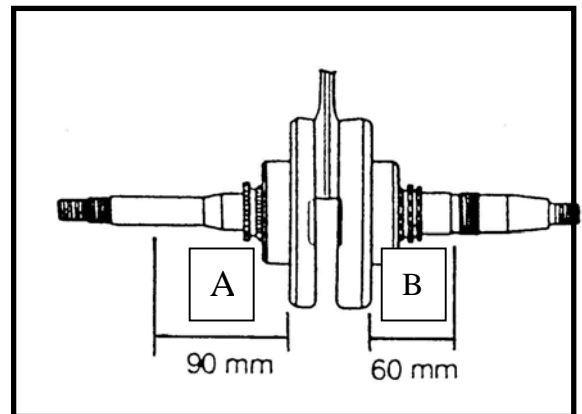
1. Measure the difference of the connecting rod big end between the X and Y

Limit of use : replace it when above 0.05mm.

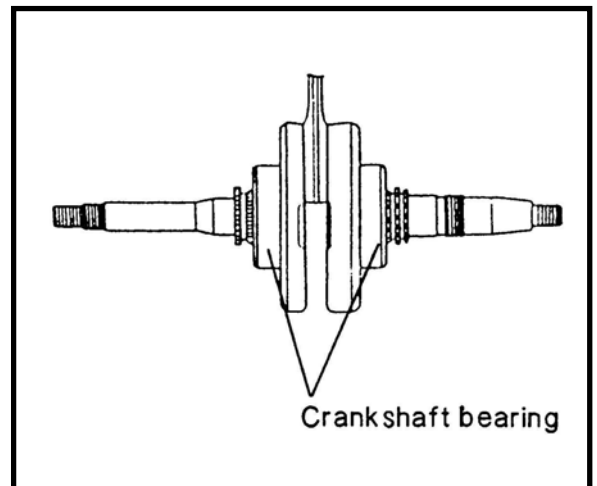


2. Measure the swing ness of the crankshaft journal.

Limit of use	
A	B
Change it when above 0.05mm	Change it when above 0.05mm



3. Check the looseness of crankshaft bearing.
If it is loosen, replace to a new one.



F. Assemble crankcase:

1. assemble crankcase according to the opposite procedure of disassembling.
2. The locking torque of bolts and nuts are described in previous chapter please refer.

(A) Troubleshooting

● Difficult to start

- 1.No sparking in spark plug.
- 2.Compression pressure too low.
- 3.No fuel in the carburetor
 - air cleaner blocked
 - oil pipe blocked
 - bad adjustment of the fuel levelfloat valve is jell

● Mixed air too dilute

- 1.Main jet blocked
- 2.Float valve blocked
- 3.Fuel level too low
- 4.Fuel system blocked
- 5.Second air sucked into intake system
- 6.Bad vacuums during piston movement
- 7.Throttle valve malfunction

● Too much fuel in the engine

1. Air cleaner blocked
2. Mixed air is too dilute in the idle system

● Sparking unsteady while increasing speed

1. Ignition system malfunction.
2. Air mixture is too dilute

● Difficult to start, Ignition off, Unstable idling

1. Fuel system blocked
2. Ignition system malfunction
3. Air mixture is too dilute or too thick
4. Fuel deterioration
5. Second air sucked into intake system.
6. Bad idle adjustment
7. Bad fuel volume adjustment
8. Idle system or auto choke system blocked
9. Bad adjustment of fuel level

● Mixture air too thick

1. Auto choke system malfunction
2. Float valve malfunction
3. Fuel level is too high
4. Air route blocked
5. Dirty air cleaner
6. Fuel overwhelming in carburetor

(10)Steering stem, front wheel, frt brake comp and front fork.

- A. Troubleshooting
- B. Data
- C. Steering handlebar
- E. Front wheel
- F. Front brake
- G. Front fork

A.Troubleshooting

- 1.steering handlebar is abnormal, too tight.
 - a. steering mechanism; washer of conical bush locked too tightly.
 - b. steering mechanism; steel ball is cracked.
 - c. steering mechanism; steel ball base and washer of conical base is damaged.
 - d. wheel pressure is too low.

- 2.steering handlebar is aslant.
 - a.left and right damper is not even.
 - b.Front fork is crooked.
 - c.The axle of front fork is crooked, wheel is aslant.

- 3.front wheel swings.
 - a.wheel rim is distorted.
 - b.bearing of front axle too free.
 - c.wheel rib is distorted.
 - a.Wheel is not good.
 - b.Front wheel axle locked improperly.

- 4.front damper is too soft, spring fatigue.

- 5.noise in front damper.
 - a.noise comes from damper box.
 - b.locking screw of damper is slackness.

B.Data

Item	Standard value (mm)	Limit of use (mm)
Lining of frt brake	4.0	2.0
Disk of frt brake	3.6	3.1
Swingness of frt/rr wheel	-	2.0

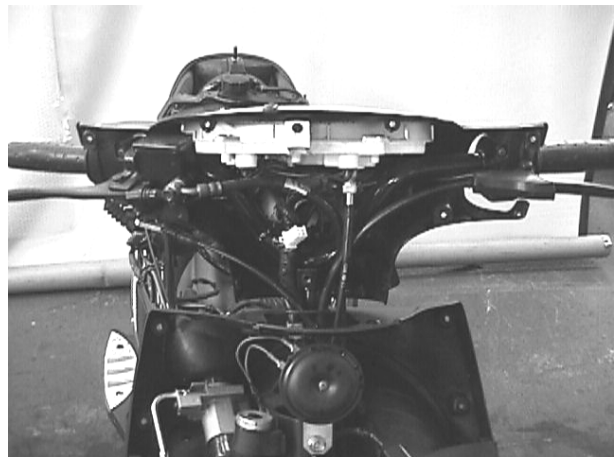
C.Changing the speedometer cable

- 1.Remove the fixed screws of the front cover.
- 2.Remove the nut of speedometer cable.
- 3.Remove the front handle cover.



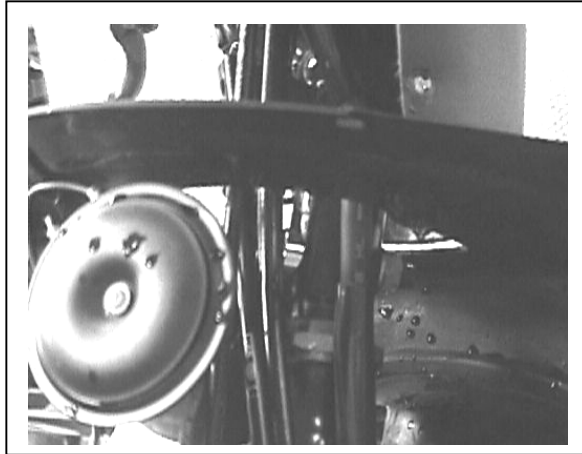
- 4.Remove the fixed screws of speedometer cable on the right of front wheel.
- 5.Draw out the damage speedometer cable.
- 6.Assemble the new cable follows the opposite procedure of dismantling.

NOTE:Put the grease onto the Inner cable before Assembling.



(B)Steering handlebar

- 1.Remove the LH/RH back mirrors.
- 2.Remove the upper handle cover.
- 3.Remove the nuts on front fork and handlebar.
- 4.Take off the fixing bolt.
- 5.Remove the nut and bolt of the front fork fixed on
The handlebar.
- 6.Take off the handle bar.



- 7.When assembling, please follow the opposite procedures.

Locking Torque:
M6 :1.0-1.2kg-m
M10 :3.0-4.0kg-m

- 8.Before assembling, please add grease on each cable.

(E)Front wheel

- 1.Remove the locking nut of the front wheel on the right side.
- 2.Draw out the axle of front wheel, remove the ring and take off the gear sets of speedometer.
- 3.Remove the front wheel assy.
- 4.Assemble the front wheel follows the opposite procedure of dismantling.

Locking Torque:

M10: 3.0-4.0kg-m

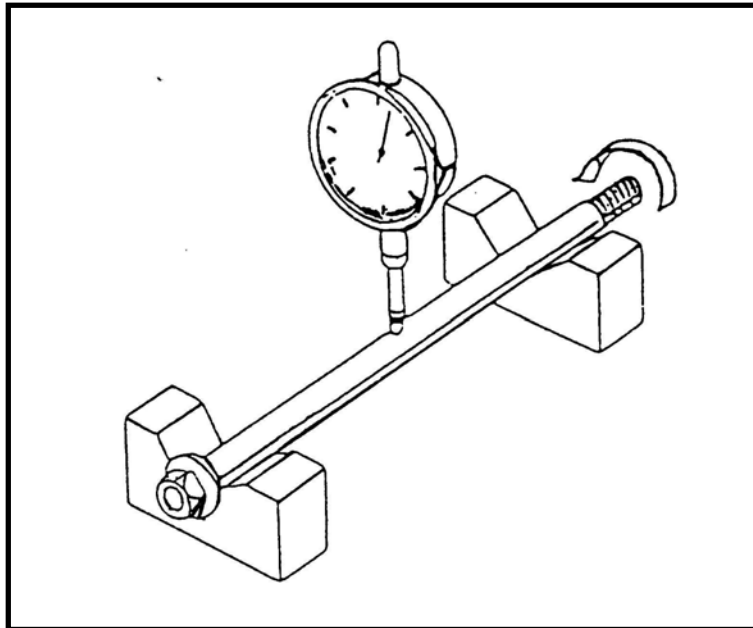


Note:

- 1.Put the lock block of speedometer gear assy upon the extrusion of the front fork.
- 2.Put the grease onto the grease sets of speedometer before assembling.

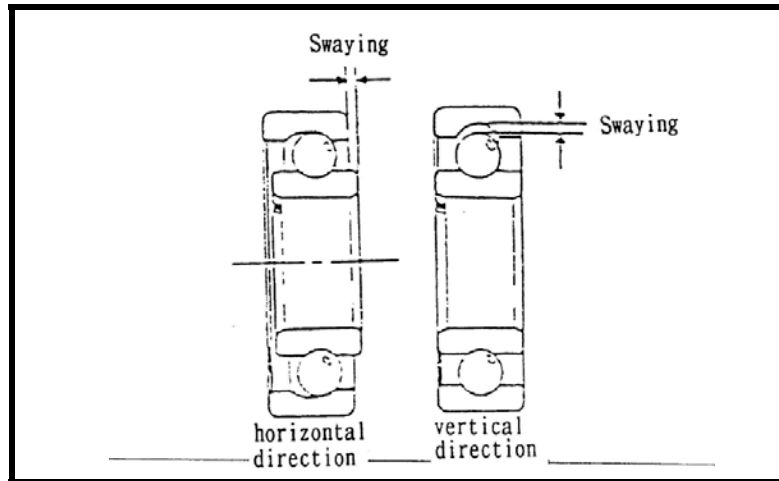
5.Checking the front wheel axle

- a.Check the bending degree of the front axle.
- b.Take note of the bending degree on the middle of axle.
- c.Limit of use:Change it when above 0.2mm.



6. Front wheel bearing checking

Turn the tire. If the bearing is
Loosen or any occurrence for noise,
Please change a new one.

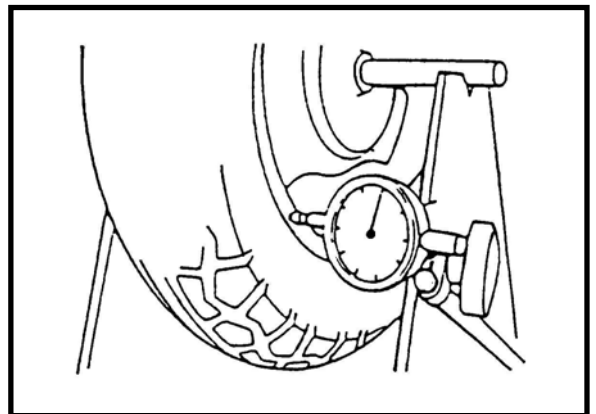


7. Front wheel rim checking

(1) Check the swing of the front wheel rim.

(2) Limit of use:

- Horizontal direction:
Change a new one when above 2.0mm.
- Vertical direction:
Change a new one when above 2.0mm.



(F)Front brake

1.Disassembling and assembling of the front brake comp.

a.Remove two bolts fixed on the front brake comp and the front fork.

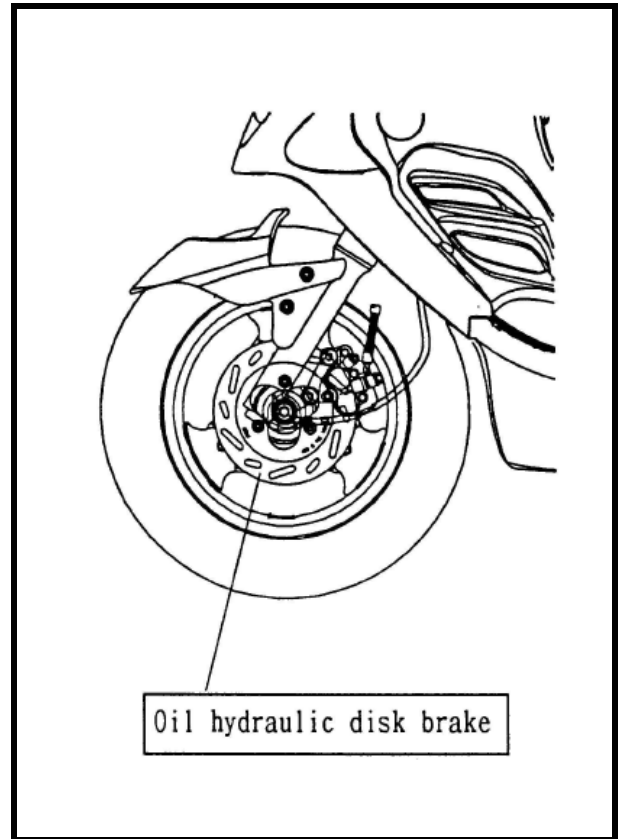
b.Remove the front brake comp.

c.Assemble the front brake comp.

Follows the opposite procedure of dismantling.

Locking Torque:

M8: 2.0~3.0kg-m



2.Air releasing of the front brake comp

The procedure of air releasing

a.Fill the enough brake oil to the container

b.Do not let the brake oil overflow from the master cylinder or container when assemble the master cylinder cover.

c.Put the spanner upon the drain screw.

a. Lock and unlock the screw several times to Release the bubbles.

b. Operate slowly the brake lever several times.

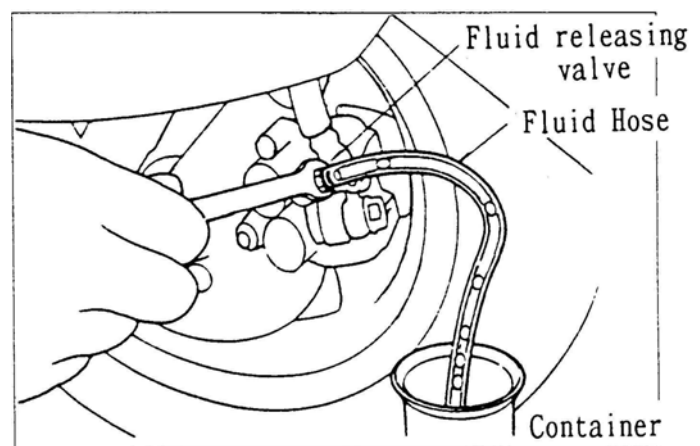
c. Clamp the brake lever to the end.

d. Loose the drain screw, then open the lever completely.

e. Locking the drain screw and then loose it when the lever is opened completely.

f.Repeat above procedure until all the air in the brake system has been released Completely.

Locking torque of leaking screw: 0.6 kg-m



3. Front fork checking:

If it is bent or cracked, please replace with a new one.

4. Front shock absorber checking

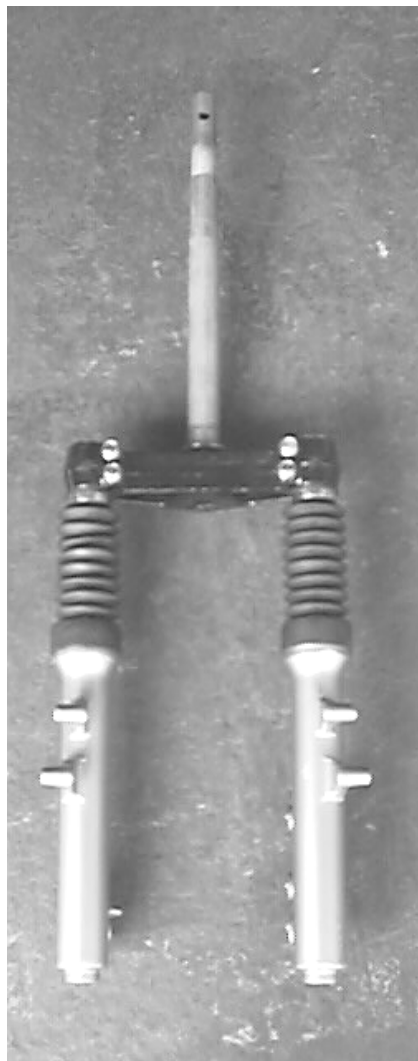
Check if there is any unusual damage or worn-out condition, and whether the guide rod of the front fork is crooked or not.

Front fork oil type: SAE 10W20

Capacity (each side): 80 CC

NOTE:

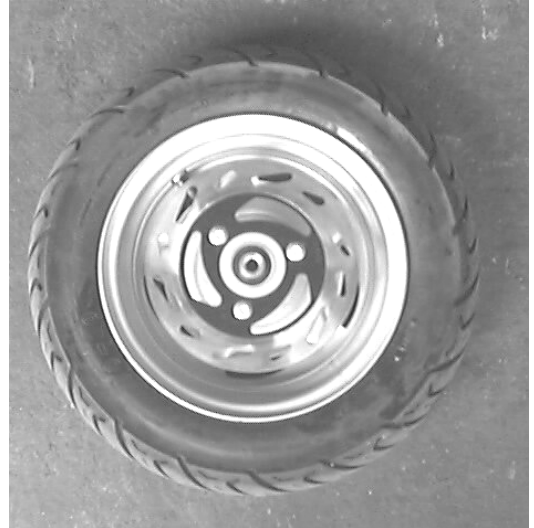
If the guide rod is crooked, it should be replaced by a new one or repaired.



5. Disassembling and assembling the front brake-disk.

- a. Remove the front wheel.
- b. Remove three nuts on the disk.
- c. Remove the disk.
- d. Assemble the disk follows the disassembling procedure.

Locking torque M8: 2.0~3.0kgm



6. Checking the front brake-disk.

Standard thickness of disk: 3.6mm

Limit of usage: change it when below 3.1mm

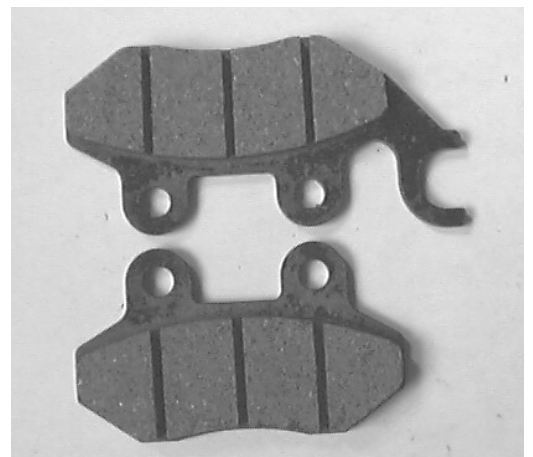


7. Checking the front brake-lining.

a. standard thickness: 4.0mm.

limit of use: As the thickness is below 2.0mm, change it.

Note: No grease on the lining.



(11)Rear wheel, rear brake, rear damper:

- A.Troubleshooting.
- B.Data.
- C.Dismantling the rear wheel.
- D.Checking the rear wheel.
- E.Rear brake.
- F.Rear damper.

A. Troubleshooting.

1. Rear wheel swings.

- a. wheel rim is distorted.
- b. wheel is abnormal.
- c. improperly assemble the wheel axle.

2. Rear damper is too soft

- a. rear damper spring fatigue.

3. Bad braking

- a. the adjustment of brake is not good.
- b. the brake lining is dirty.
- c. the brake lining is worn out.
- d. the cam of brake lining is worn out
- e. the brake cam lever is worn out.
- f. the brake hub is worn out.
- g. the assembling of brake lever gear trough is not good.

B. Data

Item	Standard value(mm)	Limit of use(mm)
The swings of rear wheel	-	2.0
Brake hub inner diameter	130	131.0
Thickness of brake lining	4.0	2.0

C.Dismantling and assembling

The rear wheel.

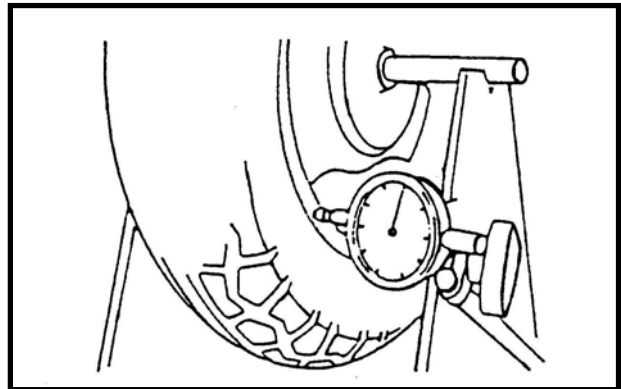
- 1.Remove the fixed screws and bolts of the exhaust pipe.
- 2.Remove the fixed screws of the rear wheel drum.
- 3.Remove the bolts.
- 4.Remove the rear wheel.
- 5.To assemble the rear wheel, please reverse the dismantling procedures.



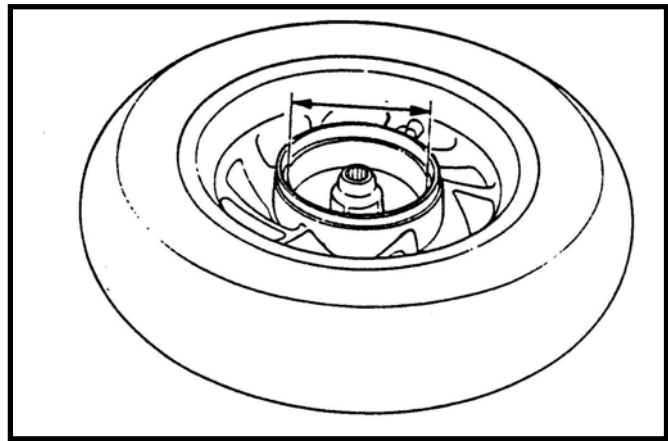
Locking torque: M6: 0.7-1.1kg.m
M14: 8.0-10.0kg.m

D.Checking the rear wheel.

- check the swings of rear wheel.
- radial direction:
change it as it is above 2.0mm
- horizontal direction:
change it as it is above 2.0mm.



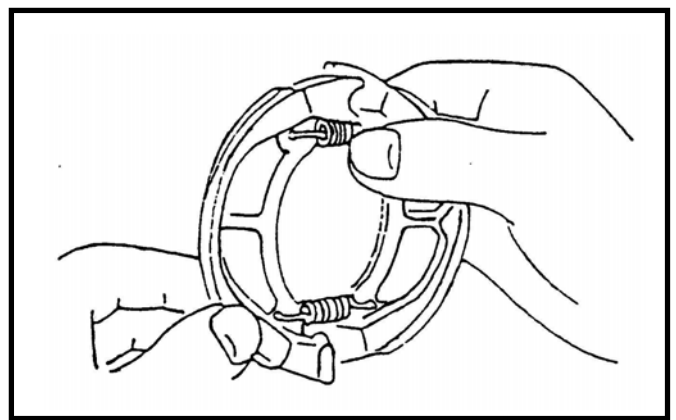
E.Rear brake:



1.Rear brake disassembling diagram.

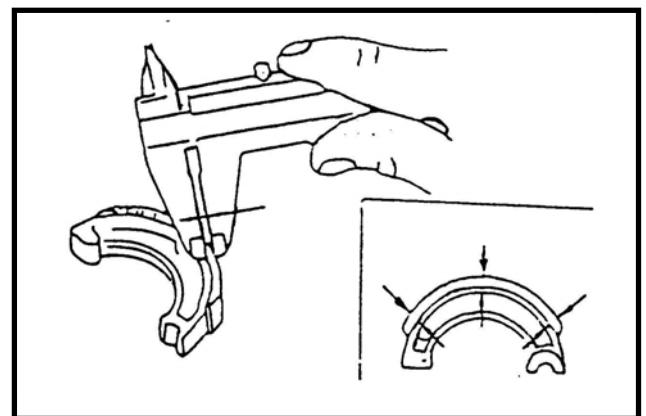
(1)Checking rear brake hub:

- a.measure the inner diameter of rear brake hub.
- b.limit of use:change it as the diameter is above 131.0mm



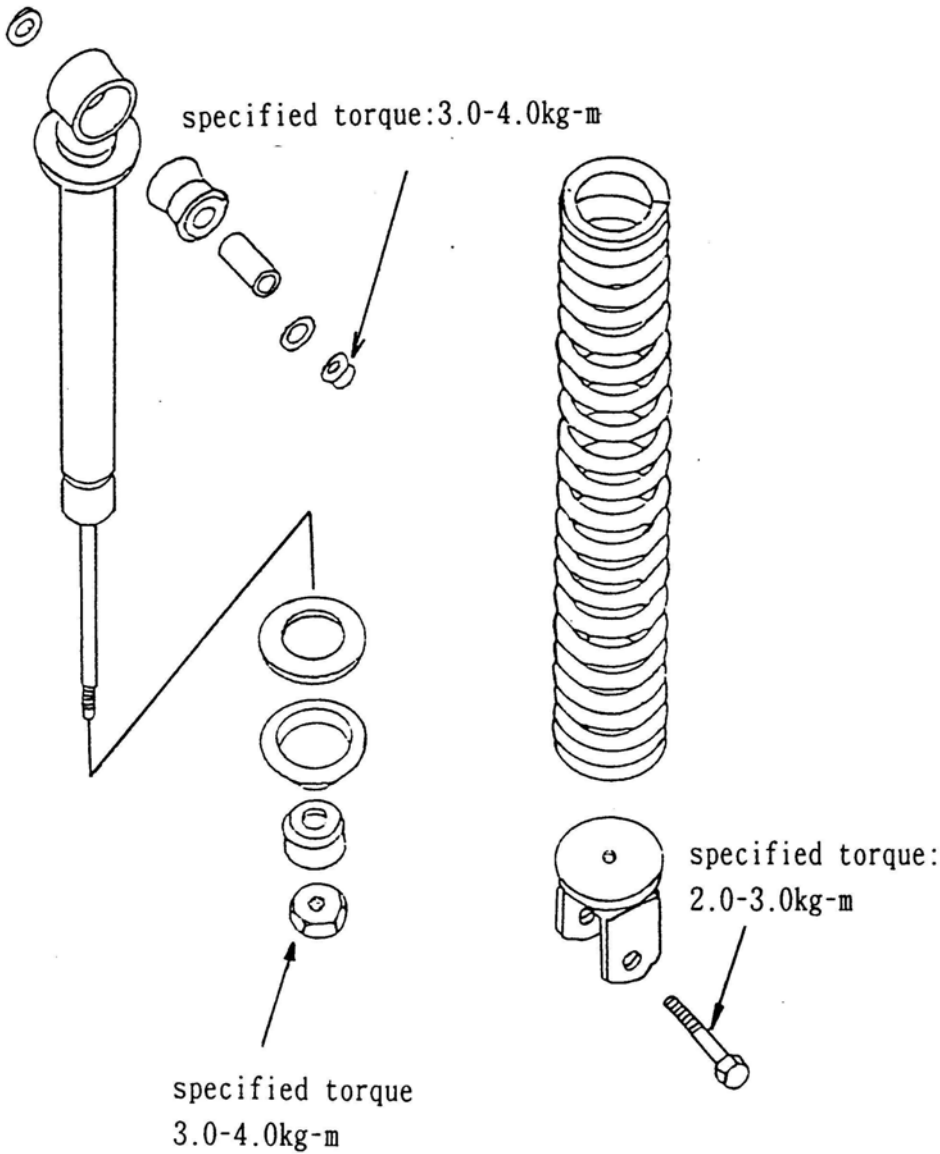
(2)Checking brake lining:

- a.measure the thickness of rear brake lining.
- b.Limit of use:As the thickness is less than 2mm, change it.



F.Rear damper

1. Rear damper
disassembling diagram



5. Engine Management System(PGO 2nd-stage EMS)

(1)PGO 2nd-stage EMS structure

(2)EMS units

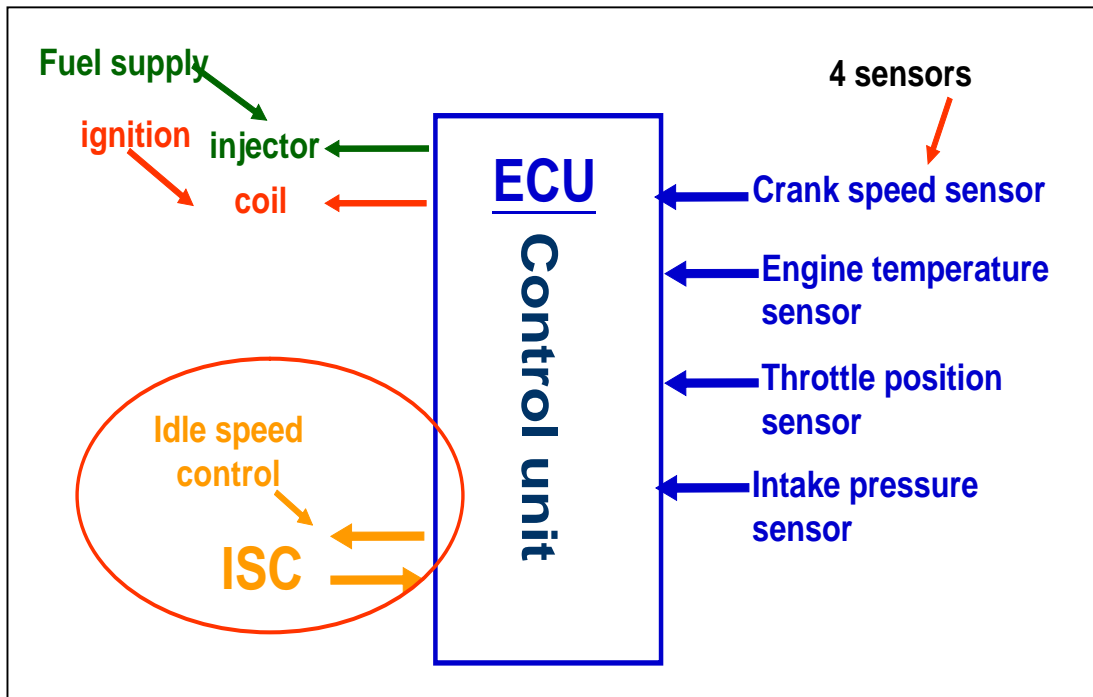
(3)EMS diagnostic

(1) PGO 2nd-stage EMS structure

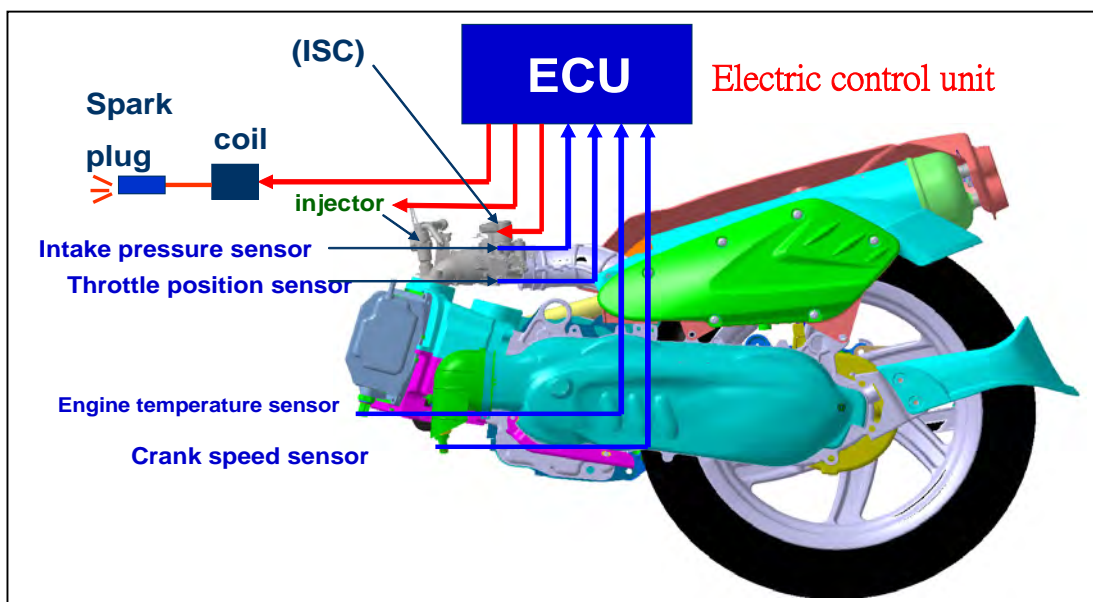
* feature

1. small, light
2. integrity
3. accuracy
4. simple

EMS structure (A)



EMS structure (B)



(2)EMS units

1.ECU (electric control unit)



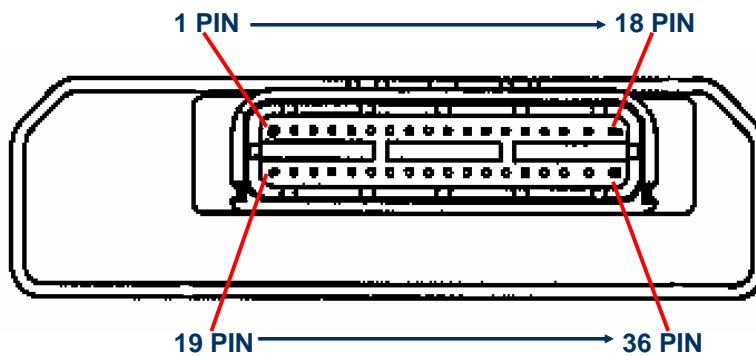
* within the left body cover

- * dismantle 1.luggage comp.
- 2.body cover



2.Important PIN no.# of ECU

*ECU (PIN)



PIN NO.	function
11.	Control pole of fuel pump
12.	Control pole of headlamp relay
13.	supply(5V) voltage to sensors
16.	Control pole of injector
18.	Control pole of coil
19.	Input voltage from battery

(3)EMS diagnostic

3.Crank speed sensor



* at the right of engine

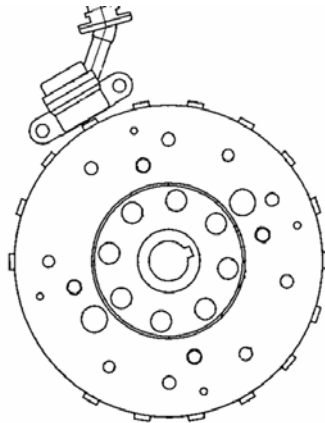
* dismantle 1.cover of fan
2.fan



Function of Crank speed sensor

*function : induct the engine speed, tell ECU to control inject fuel & ignition

*theory : calculate the interval time of each flange on the outer



4. Engine temperature sensor



* below the cylinder head cover

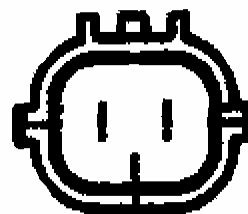
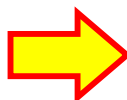
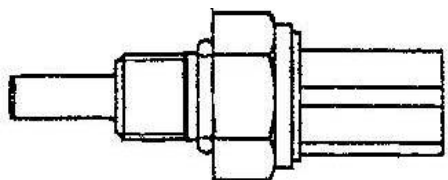
- * dismantle 1.engine LH cover
- 2.middle cover



*function : induct engine oil temperature, then ECU knows engine is cold or hot

*theory : different temperature vary resistance

T(°C)	resistance(KΩ)
-20°C	18.800 KΩ
40°C	1.136 KΩ
100°C	0.155 KΩ
usually	1.5~5.5 KΩ

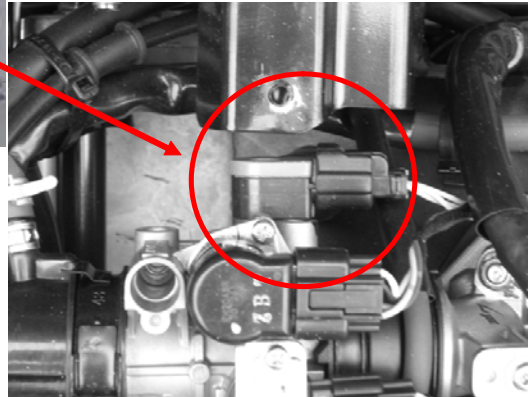


5. Throttle position sensor (TPS)



* above the engine

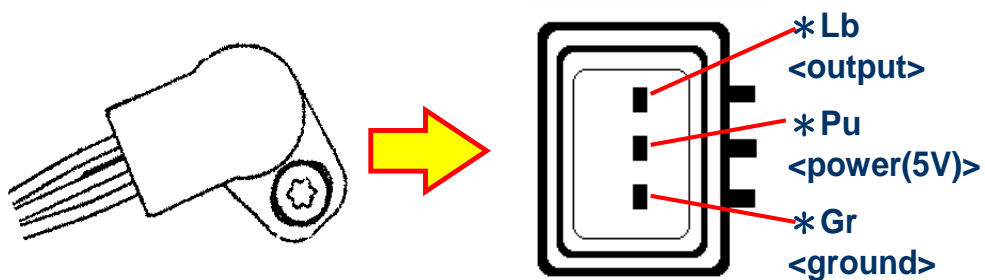
* dismantle 1.luggage comp.



* function : induct throttle angle, provides the road load condition to ECU

* theory : angle changes, resistance changes!

throttle	Lb(+) / Gr(-) output(V)
close	0.6 ±0.02V
WOT	3.8 ±0.10V

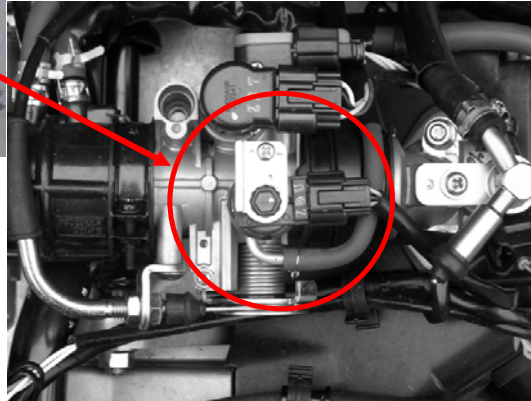


6. Intake pressure sensor



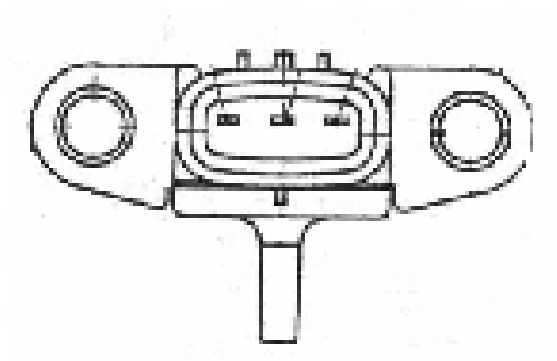
* above the engine

* dismantle 1. luggage comp.

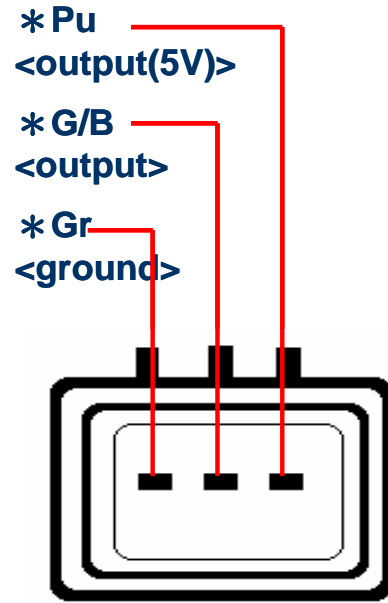
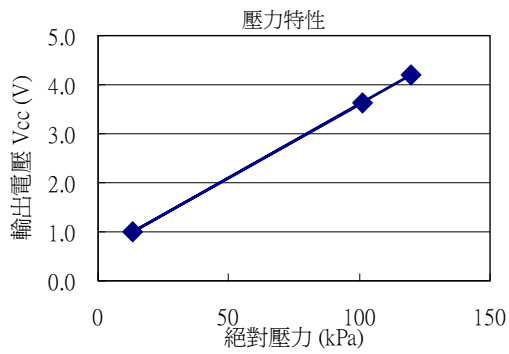


* function : induct intake air pressure, ECU judge intake or compress stroke to decide injection & ignition

* theory : different pressure outputs diferent resistance

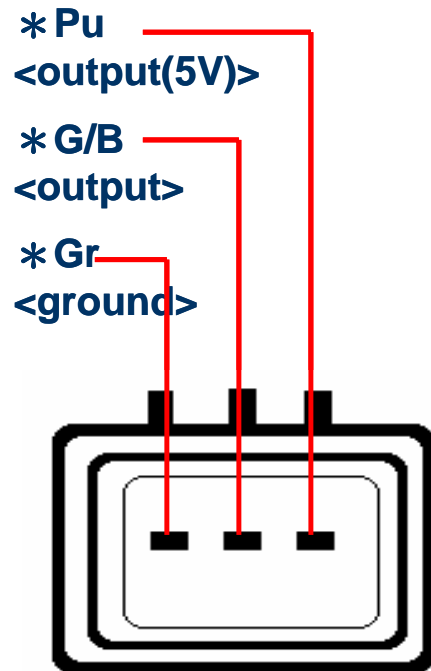


press(KPa)	G/B(+) / Gr(-) output(V)
13.3KPa	0.5V
120 KPa	3.4V



* average resistance in ambient

wire	R(K Ω)
Pu(+)+Gr(-)	2~4K Ω
G/B(+)+Gr(-)	2~4K Ω

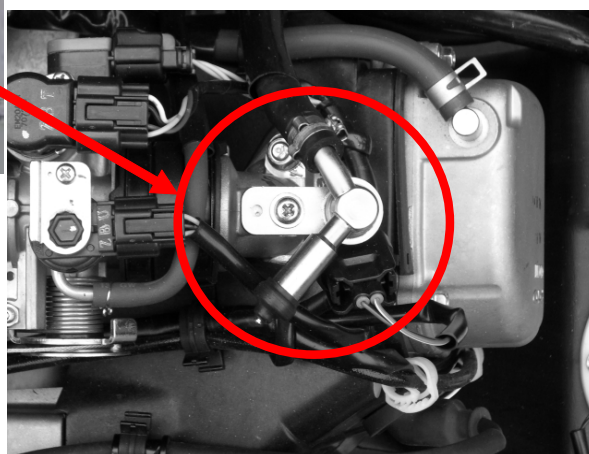


7. Injector

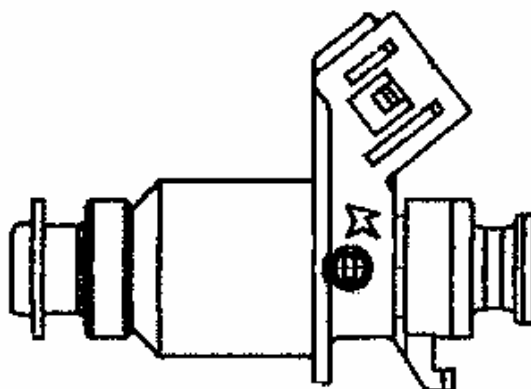


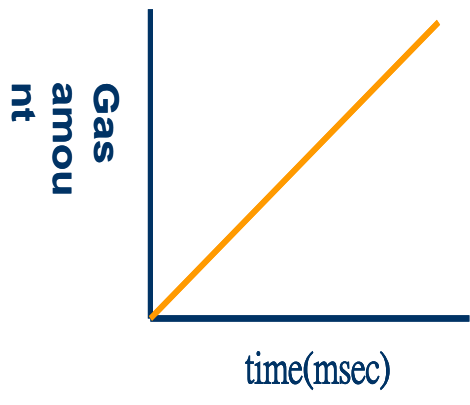
* above the intake manifold

* dismantle 1.luggage comp

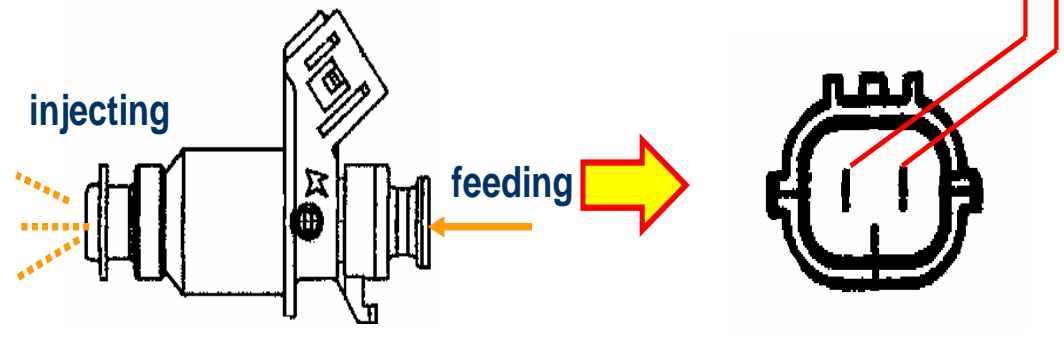


* function : inject the gas, mixed with air * theory : control the opening time interval to decide the gas amount





- * R/B(+) <output(12V)>
- * Br/W(+) <output(12V)>
- * each terminal virus ground is 12V



8. Transistor ignition



* at the right, inside the side cover

* dismantle 1.middle cover

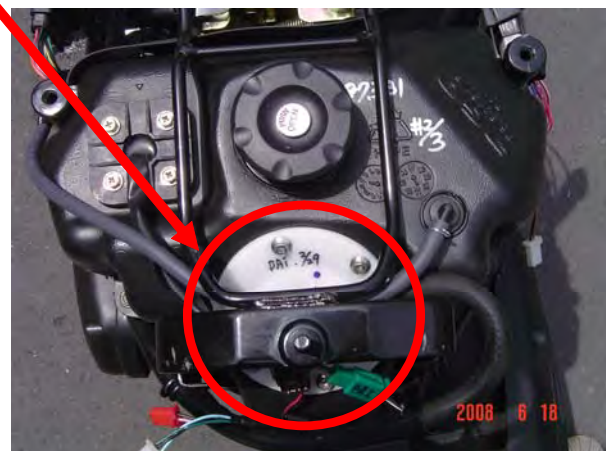


9.FUEL PUMP



* below the rear rack

* dismantle 1.luggage comp.
2.rear rack
3.body cover
4.bracket of tank

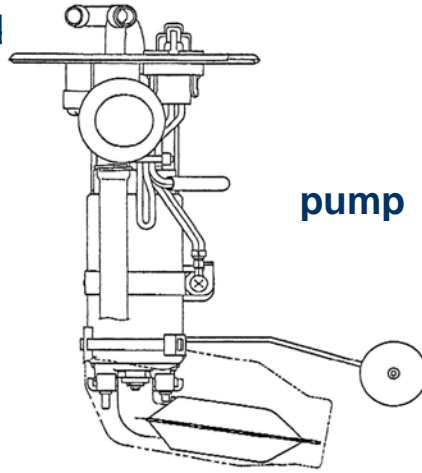


* function : pumping the gas to injector, and keep the constant pressure as

3kgf/cm²

* theory : the regulator 1

regulator



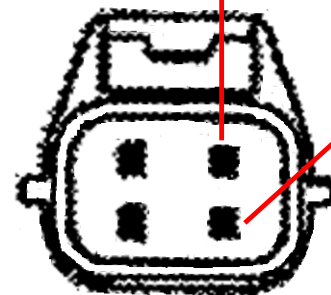
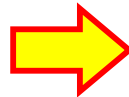
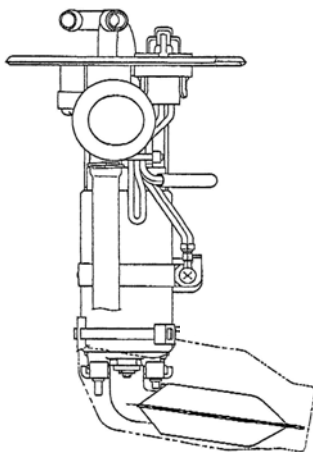
pump

filter

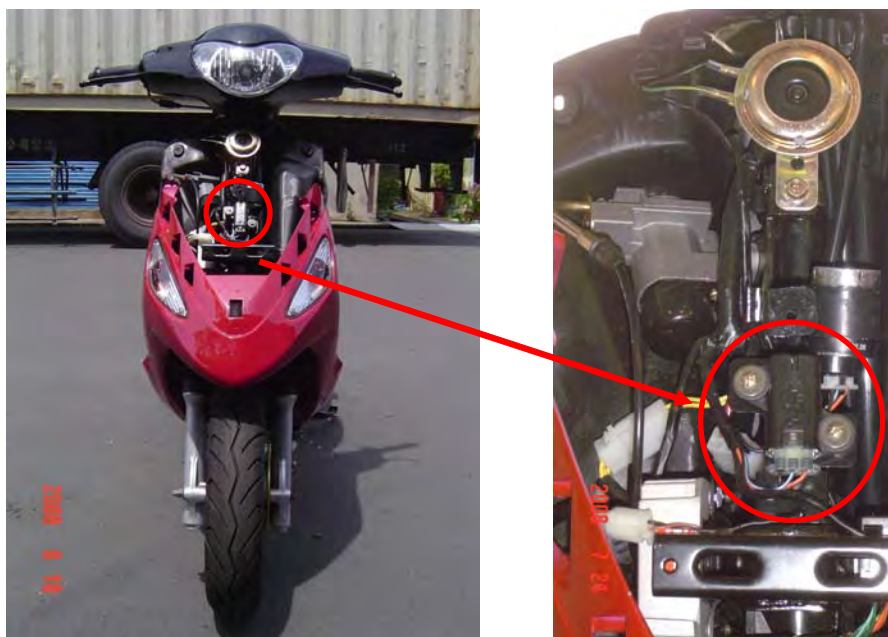
	R/B(+)+B(-)
voltage	~12V
resistance	<1K Ω

* R/B(+)
<output(12V)>

* B(-)
<ground>

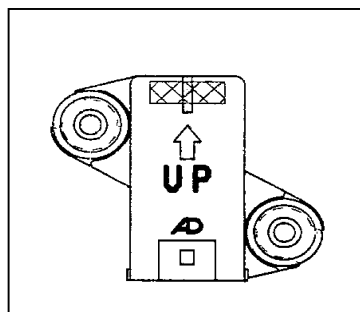


10. Fall down sensor



*function : when vehicle fall down more than 65degree, then EMS cut off the power and cease the engine

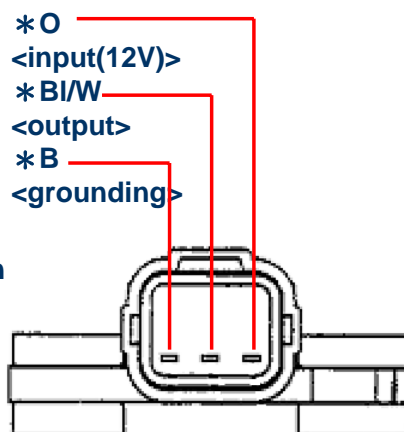
*theory : there is ball mechanism inside the sensor, act by gravity and conduct the wiring.



power	degree	output(+) +ground(-)
OFF	any	OFF
ON	<65	ON
ON	>65	OFF

*to recover the sensor function after fall down :

- 1.turn OFF the key
- 2.turn ON the key

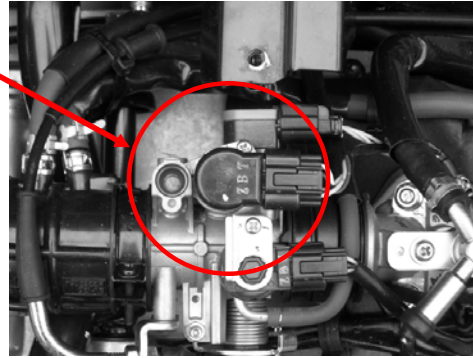


11. ISC(Idle Speed Control)



*above the engine

*dismantle 1.luggage comp.



*what is ISC ?

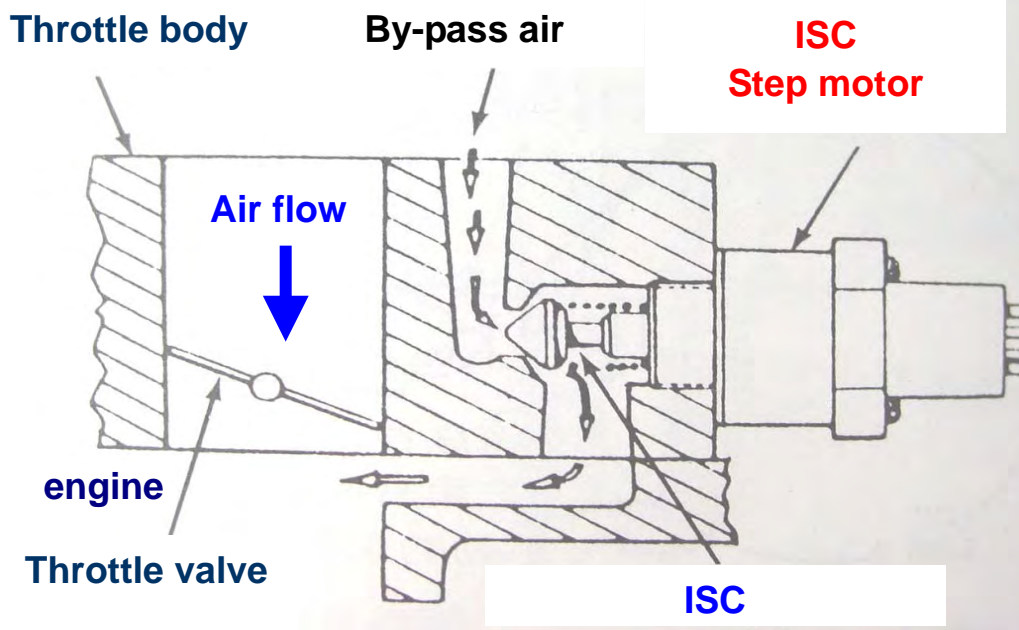
(IDLE SPEED CONTROL)

*control method of ISC

when engine is at idle, ECU refer the sensors and decide how much air is required, then tell the ISC to act forward or backward.

*sample

when cold engine, ECU tell ISC enrich the by-pass air to increase the engine speed. After warm-up, ECU tell ISC reduce the by-pass air to decrease the engine speed.



ISC initialization timing

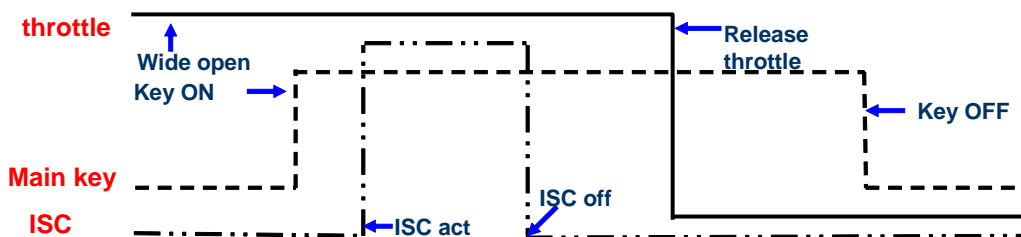
* timing when used scooter occur:

1. Hard to start the engine
2. Engine Idle speed is unstable
3. Other unstable situation

To initialize the ISC, then the ISC reset to control zero point.

Procedure of ISC initialization

1. don't plug quick- diagnostic
2. wide open throttle; turn on the key; the **ISC** sounds "da da..."
3. release the throttle after the **ISC** stop acting.
4. turn off the key, finish initialization!



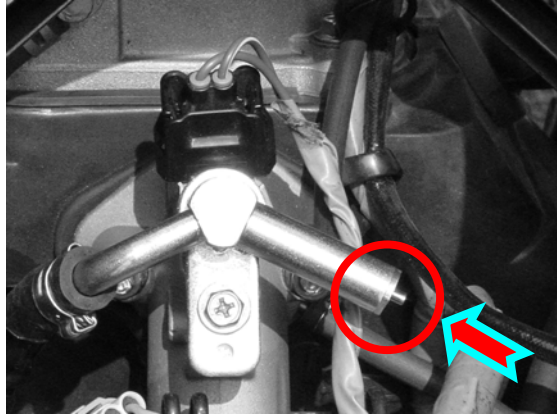
13. Draining cap of injector

*** bleed the air**

Used when replace the fuel pump, pipe...etc.

*** drain the gas**

The gas inside the pipe may become poor quality after



14.EMS diagnostic

a. quick diagnostic

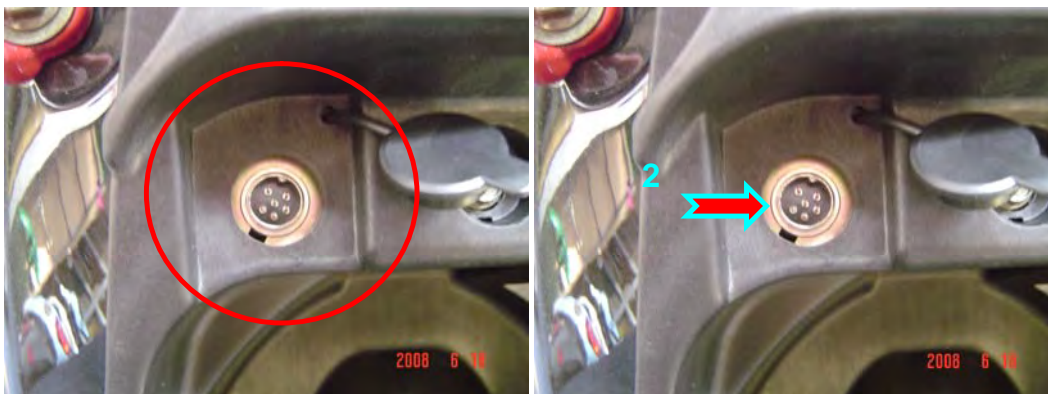
part no. : **S320840G01**

name : quick diagnostic



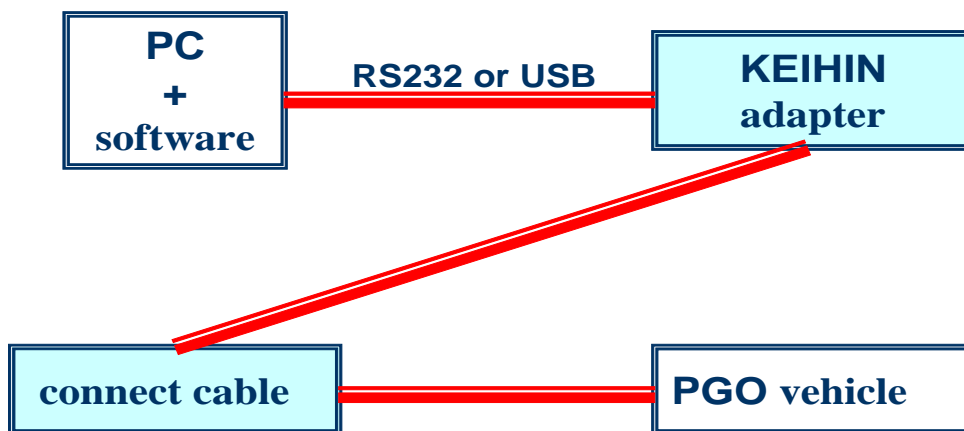
How to use quick diagnostic

1. Prepare quick diagnostic
2. Open the rubber cover inside the luggage comp.
3. Plug in the quick-diagnostic
- 4.turn on the key
- 5.wait for about 8 seconds
- 6.observe the EMS led on dash board



b.PC diagnostic

PC diagnostic assy. : **S320891G01 + S320838G01**
(software & adapter + connect cable)



part number : **S320891G01**
name : (software & adapter)

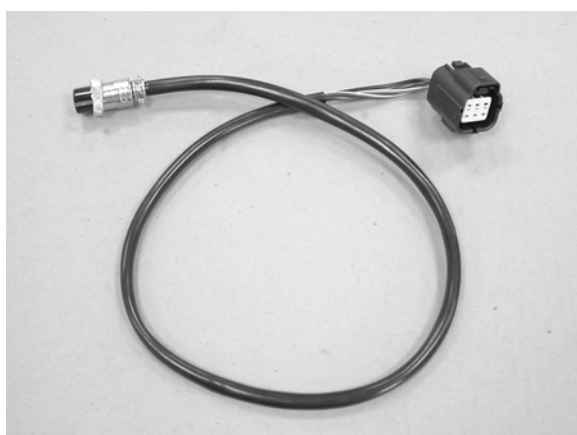
* software



* adapter

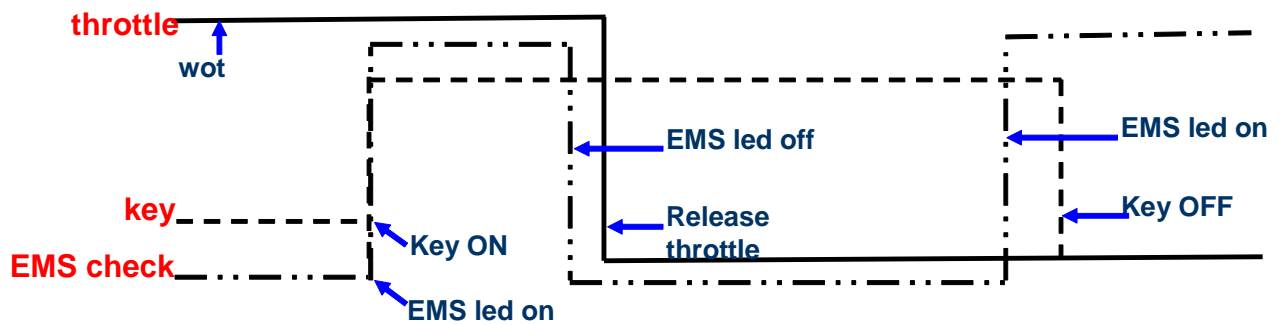


part number : **S320838G01**
name : connect cable



Clear the defect code memory

1. plug quick diagnostic into vehicle seat
2. wide open the throttle, turn on the key
3. after the EMS led off, release the throttle
4. don't turn off the key until EMS led on again.
5. turn on the key to confirm again.



15.EMS system Repairing tool

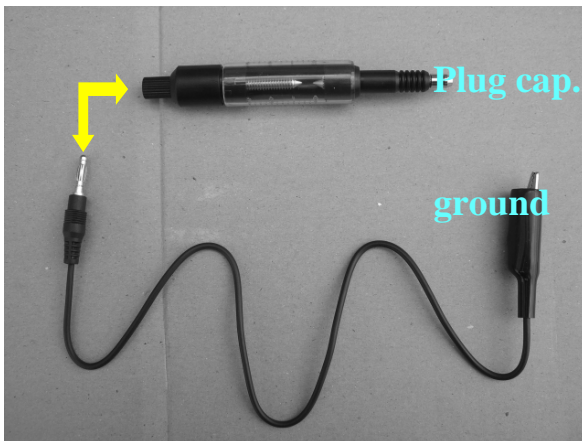
a. pocket tester wiring

*** pocket tester wiring**
part no. : S905310005



b. Ignition gauge

*** connect**



*** minimum distance 6mm**



c. Fuel pressure gauge

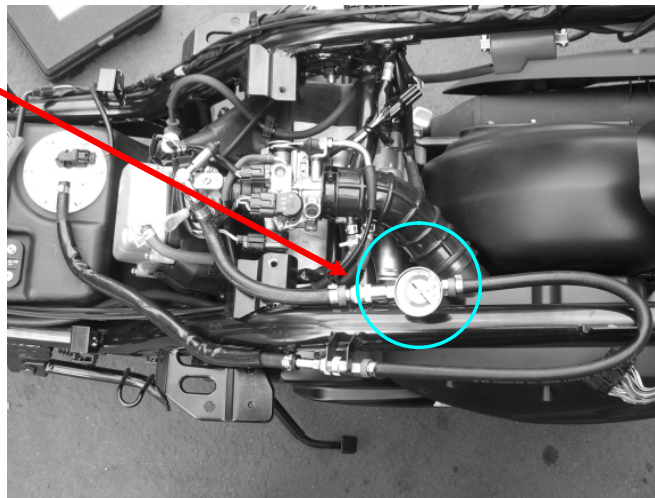
* fuel pressure gauge
part no. : S905330008



Connect to the vehicle

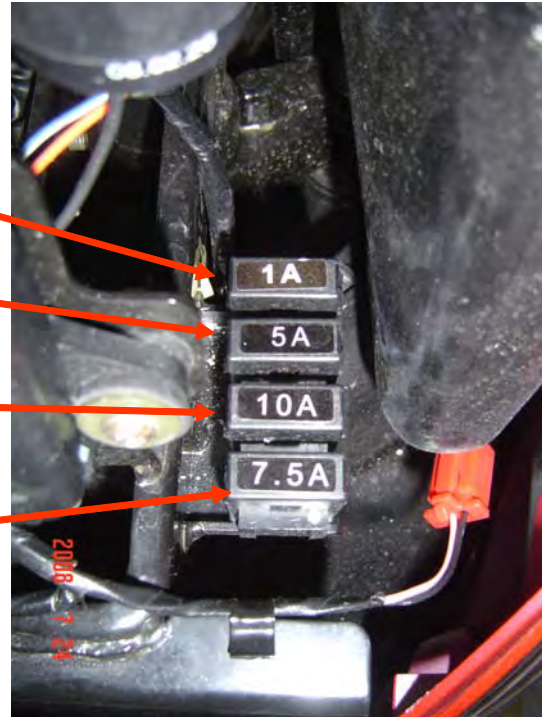
* measure the fuel pressure
standard **3kgf/cm²**

- * usage
1. dismantle the hose to injector
 2. connect the gauge assembly to the pipe
 3. turn on the key
 4. read the pressure



d. EMS fuses EMS fuses

- * ECU(1A)
<Yellow+Green/Black>
- * fuel pump(5A)
<Red/White+Green/Black>
- * EMS system(10A)
<Orange+Deep-Green>
- * ignition coil(7.5A)
<Orange+Green/Black>



Main purpose of EMS fuses

- * (FUSE) 1A / 5A / 7.5A / 10A / 15A
protect the units when extra-current occurs
- 1A : protect the (ECU)
- 5A : protect fuel pump & injector
- 7.5A : protect ignition wiring(EMS)
- 10A : protect EMS system wiring
- 15A : protect whole vehicle wiring

Main fuse



* 15A

* dismantle 1. battery cover

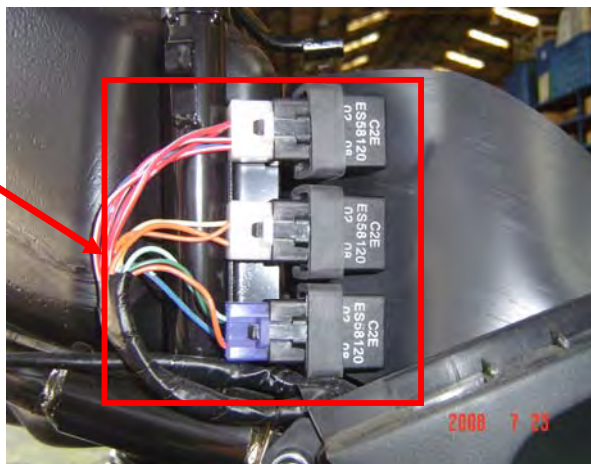


e. EMS relays



*inside the RH body cover

- * dismantle 1.luggage comp.
- 2. Rear rack
- 3.body cover



* A.EMS system

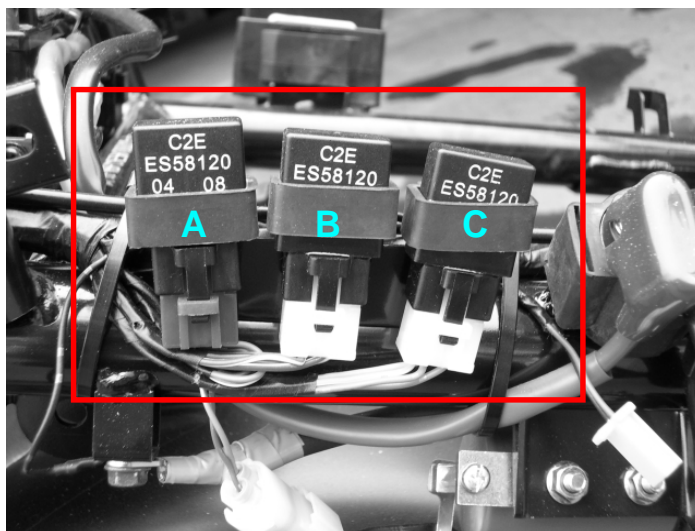
Dg	O
Gr/B	Bl/W

* B.fuel pump/injector

R/W	R/W
R/B	Db

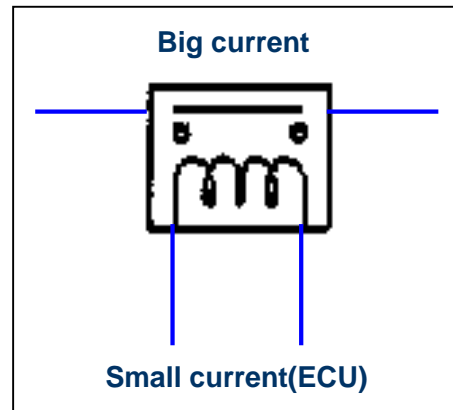
* C.headlamp

O	O
Y/W	Y



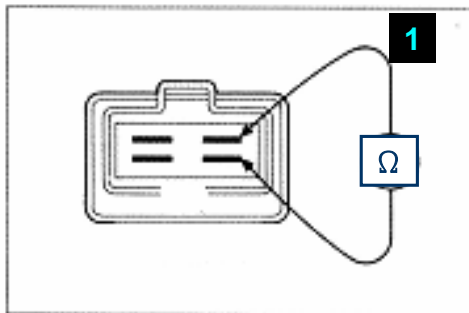
Control of relays

- * (Relay) 15A
- * theory : use small current to control big current
- * Usage :
 - fuel pump & injector
 - EMS whole system
 - headlamp

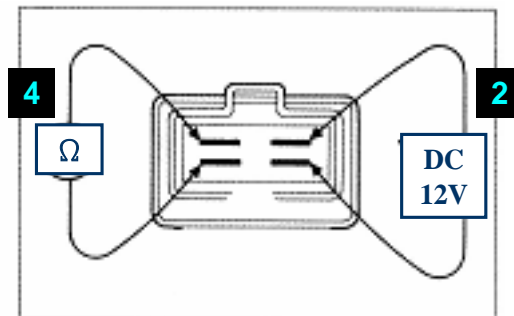


Measure the relays

- * use the pocket tester
- 1.find the control coil



- 2.fit 12V to the control coil
- 3.the relay sounds "ka"
- 4.measure the resistance
- <disconnect-->NG
- connected-->OK>

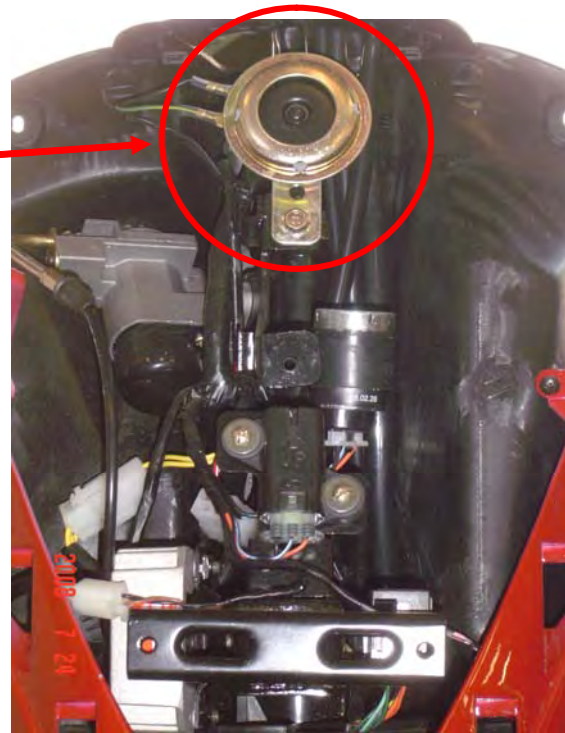


f.General Electric units

Horn



* inside the windshield



* dismantle 1.windshield

Flasher relay



* inside the windshield

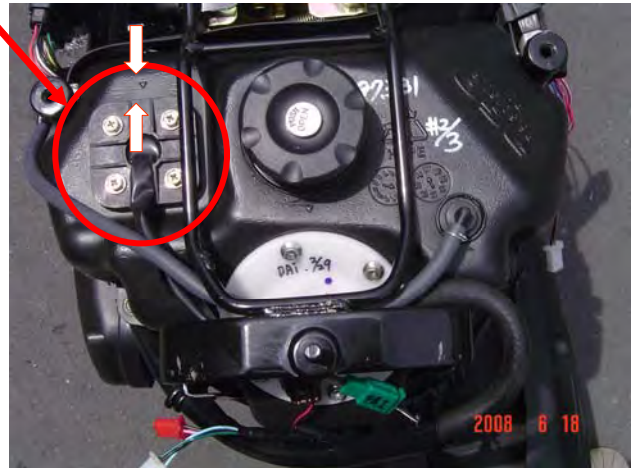


* dismantle 1.windshield

Fuel gauge



- * dismantle 1.luggage comp.
- 2.rear rack
- 3.body cover

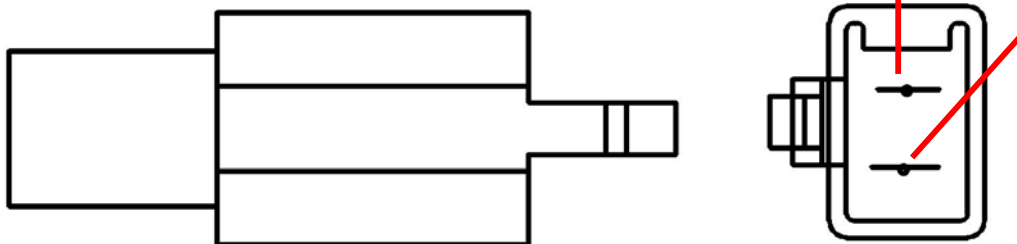


- * below the rear rack
- * make sure the arrow direction!

Measure the fuel gauge

	gray(+)+black(-)
F	4~10 Ω
E	80~90 Ω

- * gray(+)
- <output>
- * black(-)
- <ground>



6.Electric equipment:

(1)Troubleshooting

(2)Battery

- 1.check specific gravity of eletrolyte
- 2.recharge

(3)Recharge system

- 1.the wiring diagram of recharge system
- 2.check A.C. flywheel magneto
- 3.check regulator/ rectifier.

(4)Starting system

- 1.the wiring of starting
- 2.checking the starter
- 3.dismantling the starting motor
- 4.checking the starting motor

(5)Starting clutch

(6)Handle bar switch

(1) Troubleshooting:

A. Recharge system:

- No power:

1. battery over charge
 - ① No electrolyte in battery.
 - ② Battery becomes white.
 - ③ Short circuit in battery.
 - ④ Regulator malfunction
2. the battery wires disconnected.
3. fuse is broken.
4. Ignition lock is abnormal.

- Voltage is too low:

1. Battery recharges insufficiently.
2. The connecting is abnormal.
3. Recharge system is abnormal.
4. Regulator malfunction.

B. Ignition system:

- The sparking of spark plug is abnormal:

1. Spark plug is abnormal.
2. Wire connects improperly, broken or short Circuit.
 - ① between A.C. flywheel magneto and sets.
 - ② between ECU sets and H.T. coil.
 - ③ between ECU sets and main switch.
 - ④ between main switch and spark plug.
3. Main switch is out of order.
4. H.T. coil is abnormal.
5. ECU sets is out of order.
6. A.C. flywheel magneto is abnormal.

B. Starting system:

- Starting motor can't rotate:

1. The fuse is broken.
2. Battery recharges insufficiently.
3. Main switch is abnormal.
4. Switch of starting motor is out of order.
5. Switch of front. rear brake is out of order.
6. Starter relay is out of order.
7. Wire disconnects or broken.

- Currency is unstable.

1. The wiring of battery connects improperly.
2. Ignition system connects abnormally.
3. Ignition system is short circuit.
4. Lamp system connects abnormally or Short circuit.

- Abnormal recharge system:

1. The plug part connects abnormally, Wire broken or short circuit.
2. Rectifier is abnormal.
3. A.C. flywheel magneto is abnormal.

D. Engine rotate unsmoothly:

1. Ignition primary wiring

- ① the wire or plug of wiring connects Improperly.

- ② main switch disconnects.

2. Ignition secondary wiring

- ① Ignition coil is abnormal.
- ② Spark plug is abnormal.
- ③ H.T. coil is abnormal
- ④ Spark plug cover electricity leakage.

3. Ignition period

- ① A.C. magneto is abnormal.
- ② A.C.G. coil disconnects.
- ③ ECU. set is abnormal.

8. Starting motor is out of order.

- Starting motor weak rotation:

1. battery recharges insufficiently.
2. wiring disconnect.
3. motor or gear some impure material drop in
- Starting motor can rotate, but engine Can't rotate:
 1. starting pinion is abnormal.
 2. starting motor is reverse rotation.
 3. battery is out of order.

(2)Battery:

Always, remove the battery negative Cable(-), then remove positive cable (+). But connect the positive cable (+)first, then connect the negative cable(-) when assembling.



1.Recharging

Connection method:

Connect the positive cable(+)of the recharger to the positive cable(+)of the battery; and The negative cable(-)of the recharger to the negative cable(-)of the battery.

Recharging currency:

Please recharge(12V) according to the following currency and time.

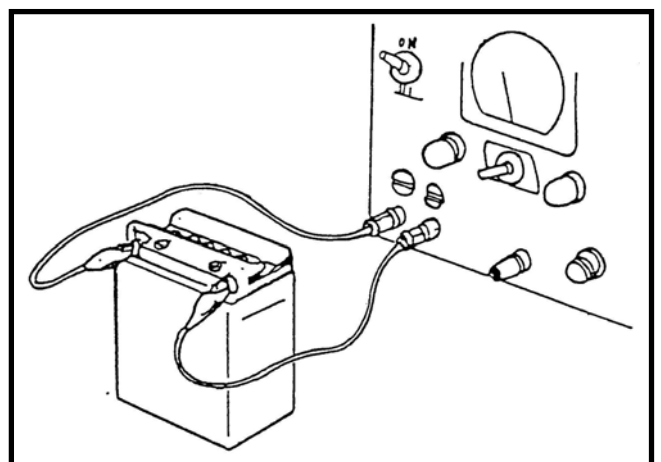
Standard: 0.7A * 5-10HR OR Rapid: 3A * 1Hr

NOTICE:

- 1.It is not necessary to refill the battery liquid into the battery.
- 2.Do not take off the sealed bolt while recharging.

NOTE:

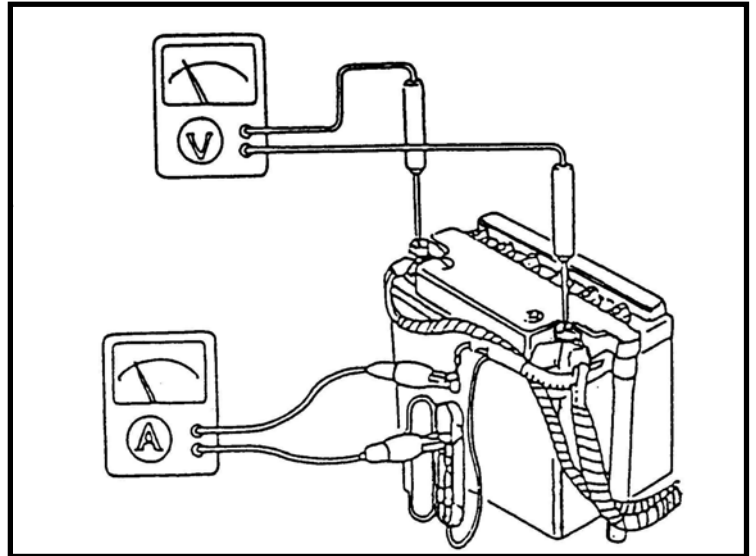
- No fire near battery when recharging
- The “ON” or “OFF” of recharging currency must be operated by the switch of recharger. It will cause spark or explosive if plug or unplug the cable directly.



2. Testing the recharging performance

This test needs to be done under the Battery has been recharged completely

- a. This test needs to be done after engine is warm-up.
And take off the luggage case
Firstly.
- b. Disconnect the orange cable of regulator.
- c. Open the fuse box to remove the white cable
- d. Connect currency meter between red/white cable fuse.



While testing, the red wire cable must not touch the frame.

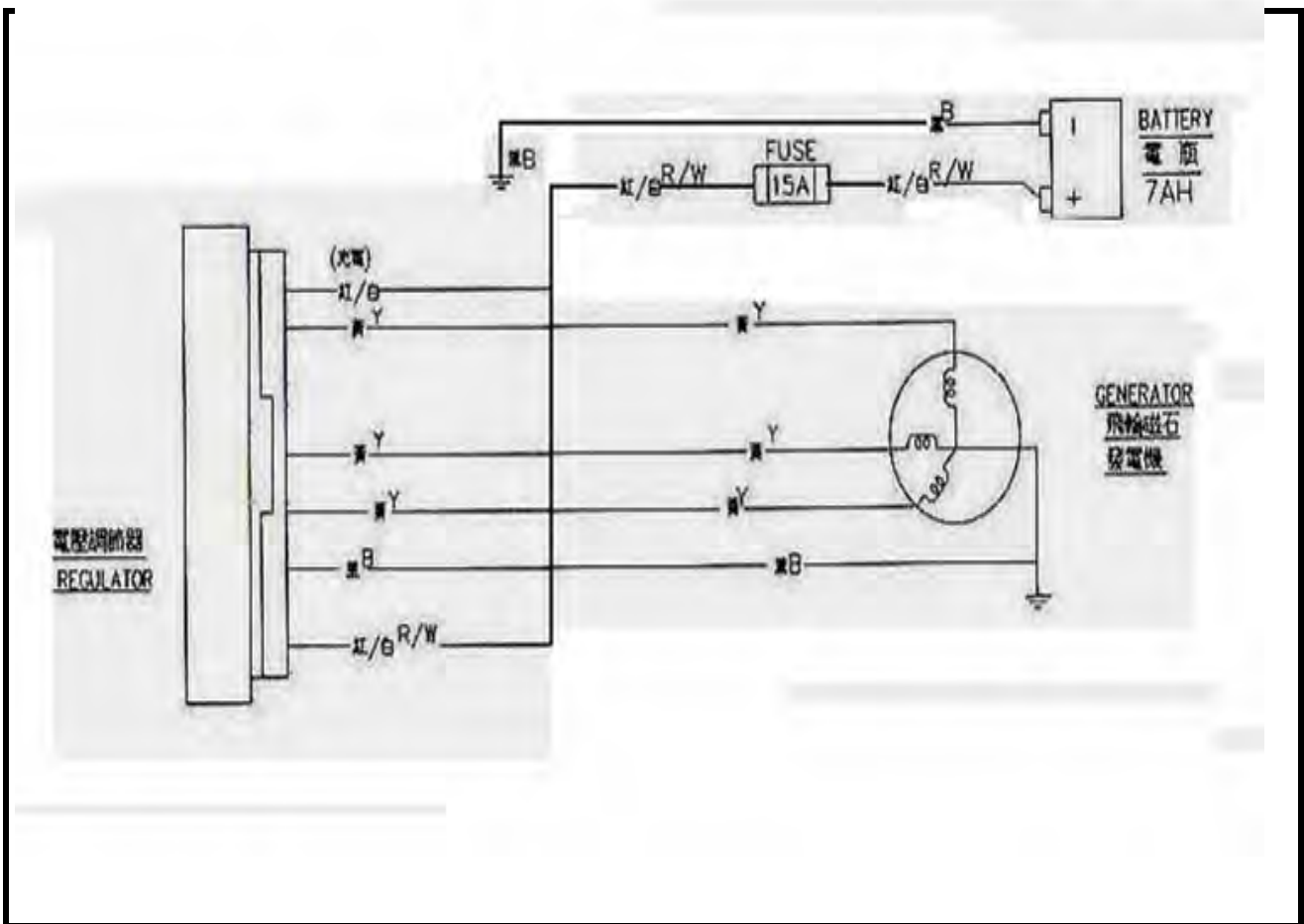
- d. Set the headlamp switch at “OFF” , engine rotation is at 2000 rpm while testing.
Then increase the rpm slowly.

Head Lamp Switch	Recharging rpm	2,500rpm	6,000rpm
OFF (DAY)	Under 2,000rpm	0.6A(MIN)	1.5A(MIN)
ON (NIGHT)	Under 2,000rpm	0.6A(MIN)	1.5A(MIN)

- e. If the testing result does not match standard value, check the regulator.

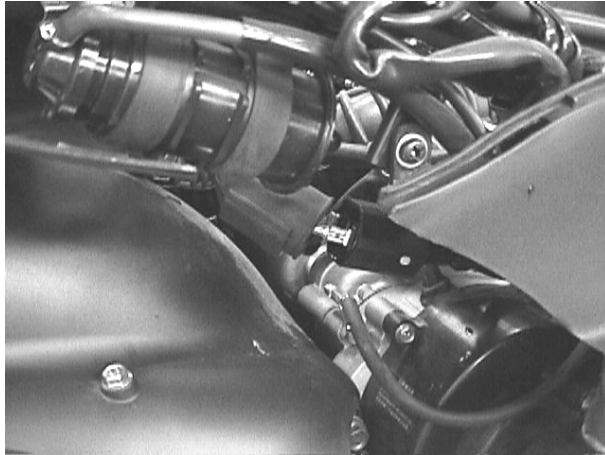
(3) Recharge system

1. Recharge system diagram



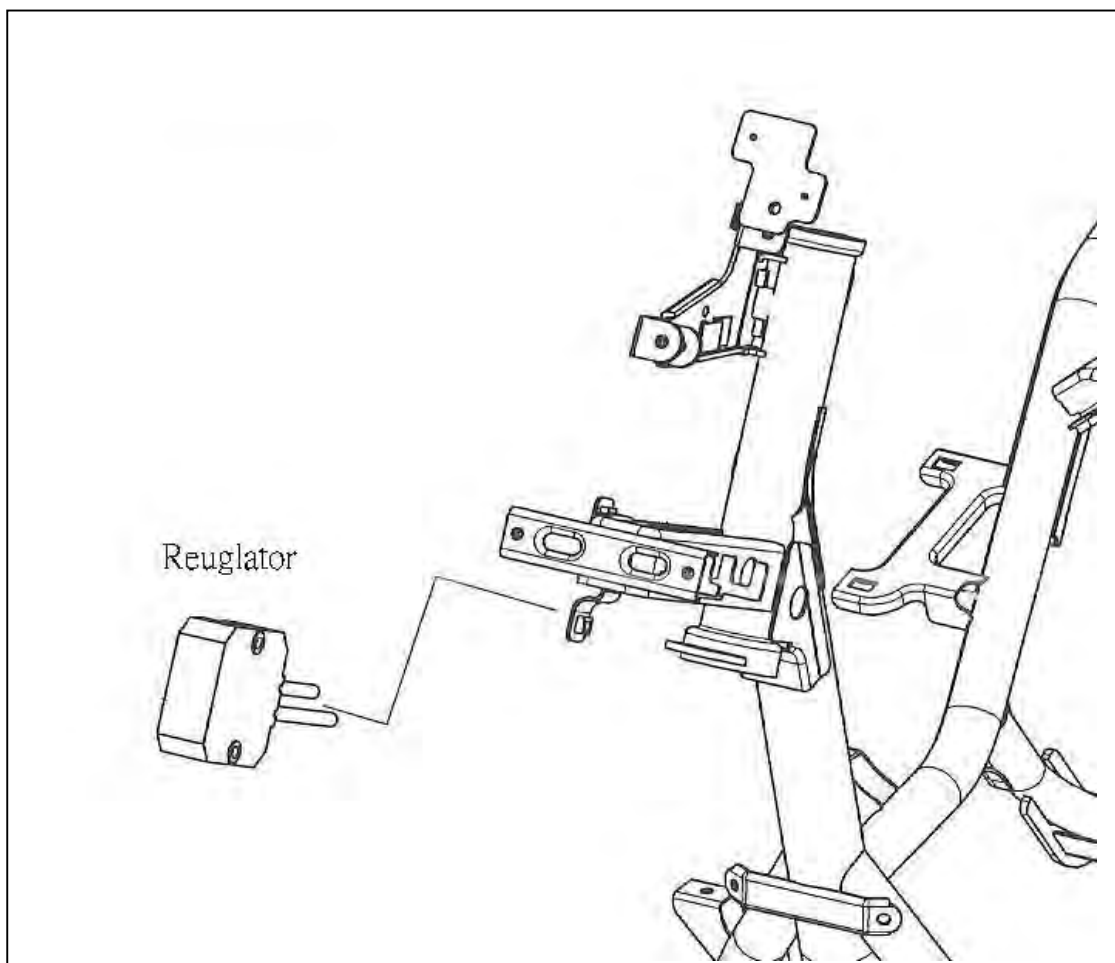
- (a) Use Multimeter check resistance of 2 different yellow wires at a time from 3 different phases. (test value: Ω), these 3 resistances need to be the same, if there is resistance shows different value, it means the generator is NG, the charging is not enough. > Resistance: about 0.8Ω (20°c)
- (b) There are 2 R/W wire on the VOL REGULATOR, 1 is for charging, the other is acting like a “standard voltage” of the VOL REGULATOR, which helps to adjust the charging voltage and current.
- (c) Measurement:
 1. Before engine starts, the voltage need to be 13 V or above; after engine starts, the voltage need to be 14V or above. If the voltage stays in 13V or just increase insignificantly, then it means the charging in not enough.
 2. Charging Current Check (A):
 - (1)When the battery voltage is 13V or above: Charging current: below 1(A)
 - (2)The battery voltage lower, the charging current will be bigger.
 - (3)After engine starts, if the charging current too big, please check the VOL REGULATOR
 - (4)After engine starts, if the charging current too low, please check the VOL REGULATOR and A.C flywheel magneto

2. Check A.C. flywheel magneto.
 - a. Remove the LH side strip and LH body cover.
 - b. Measure the resistance value of terminals.



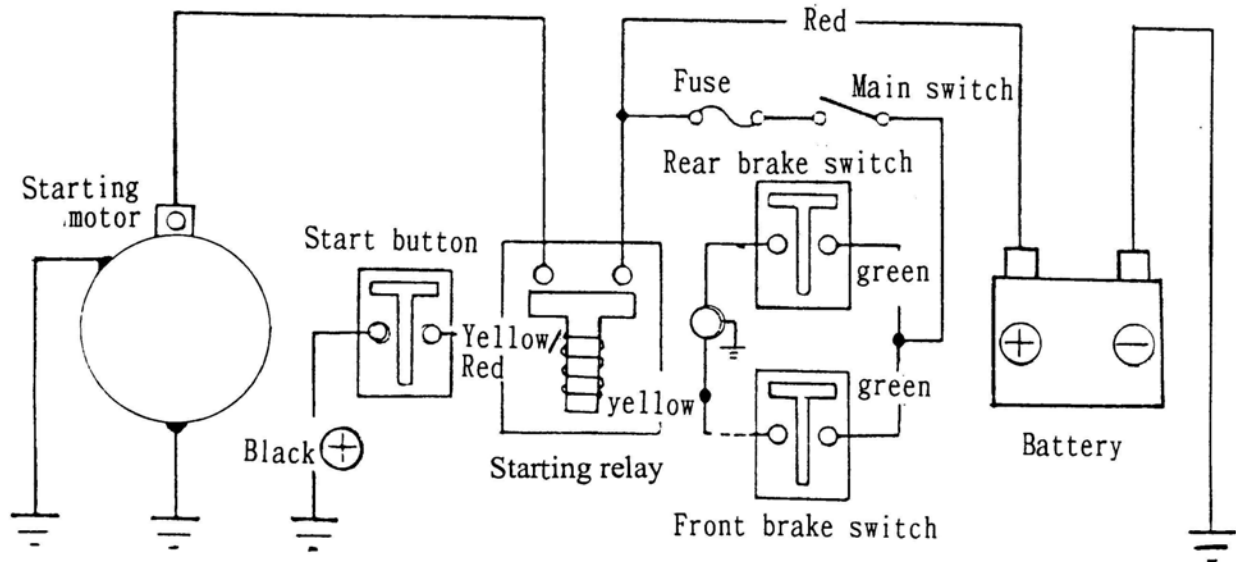
3. Check regulator measure the resistance value between each terminal, it should be in specified range, otherwise change a new one.

Pocket tester range: * 1k range



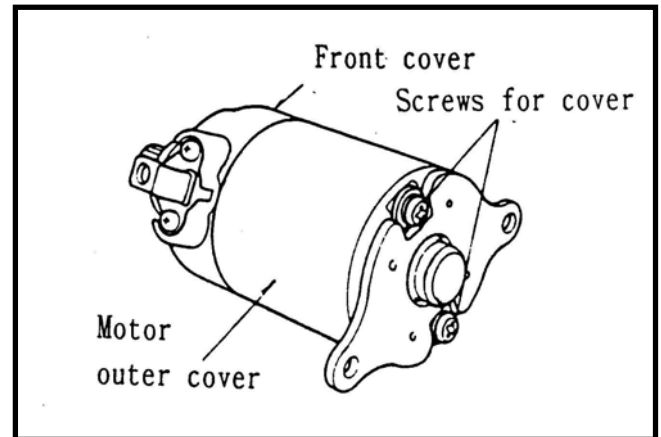
(4) Starting system

1. Starting wiring



2. Checking

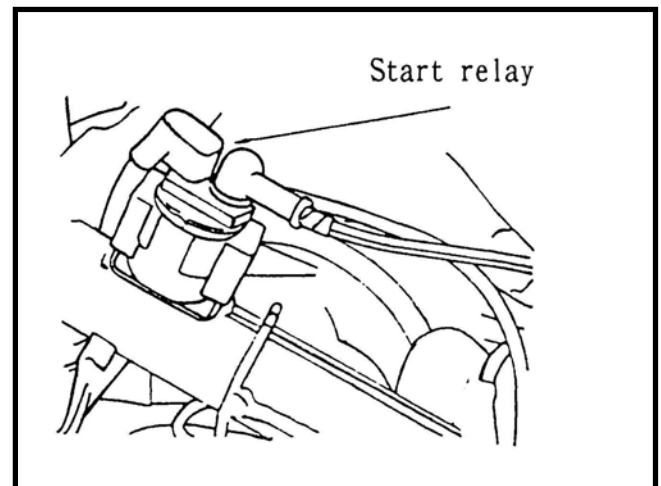
- Other spare parts comp. Checking.
- Change a new one when there is any scratch, damage or burnt on the surface.
- Any adherent metal powder in-between the layers of the direction exchanger should be cleaned.
- The conductivity check among each contact surfaces to other parts.
- The non-conductivity check between the armature pivot and each layer of the direction exchanger.
- The conductivity check of the outer cover of the starter motor
- The non-conductivity check between the cable ends and the outer cover of the starting motor.
- The conductivity check of the electric brush and the cable ends. If there is anything abnormal change a new one.
- The non-conductivity check of the brush bracket.
If it is conductive, change a new one.



3. Start Relay

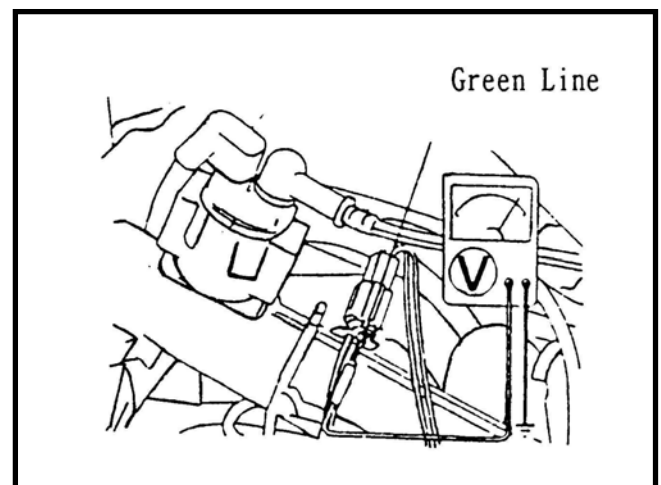
Starting check:

- Remove the body cover.
- When the main switch “ON” and press the starting motor button, there should be a “kata” sound.
- If there is not a “kata” sound:
 - a. Check the voltage of the start relay.
 - b. Check the start’s ground circuit.
 - c. Check the start reply starting system.



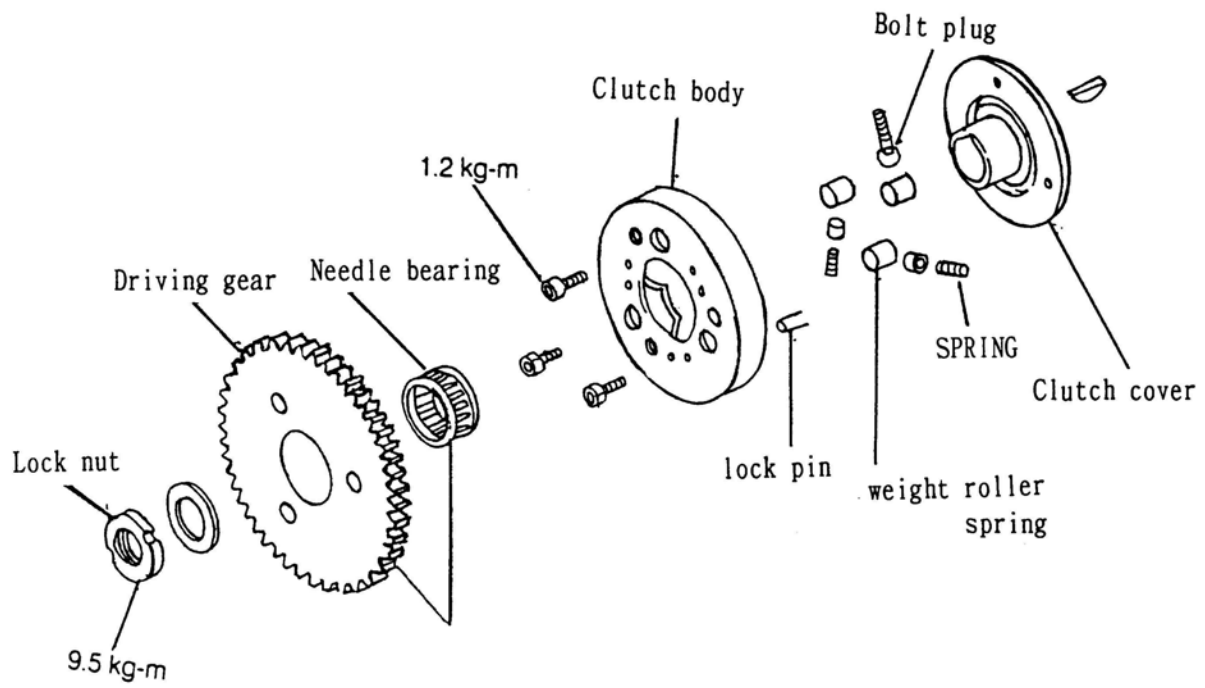
Voltage check for the start relay:

- Put on the center stand. Measure the voltage between the cable Green/Line(-) of the start relay and the body’s ground circuit.
- To switch “ON” for the main switch and clamp the brake lever. The battery voltage has to meet the requirement.
- When there is no voltage at the start relay, check the brake switch conductivity and the cables.



(5) Starting clutch

Explosive diagram

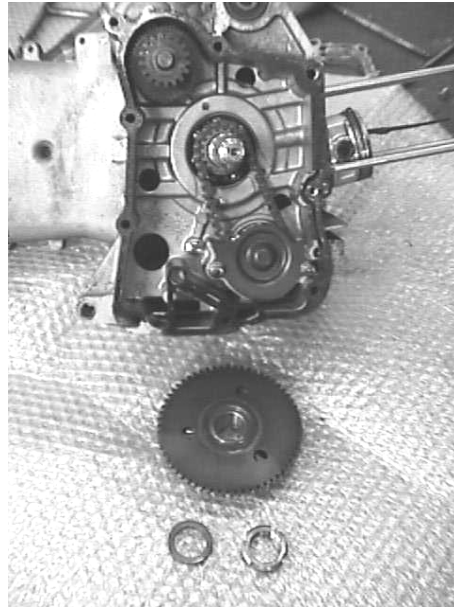


Dismantling

1. Remove the right crankcase Cover.
2. Remove the starting idle gear axle and take off the gear.
3. Remove the left crankcase cover.
4. Use screwing tool to fix the driving plate.
5. Remove the lock nut of the starting clutch.

NOTE: Lock nut is left thread.

6. Remove the starting clutch.
7. When assembling, please follow the opposite procedures.
8. Lock tightly lock nuts of the starting clutch.
Locking torque: 9.5kg-m



(6) Handle bar switch

The colors for each switch cables:

Head Light Switch

Operation /Color	Dark green	Yellow	Yellow/black	Blue
OFF		●	●	
ON	●	●		●

Starting Button

Operation /Color	Green/White	Black
FREE		
PUSH	●	●

HI/LO bean

Operation /Color	Blue	Brown/White	Purple/White
HI	●	●	
LOW	●		●

Horn Switch

Operation /Color	Yellow/green	Black
PUSH	●	●
FREE		

Signal Light Switch

Operation/Color		Pink	Blue/White	Brown
L		●	●	
N	To L	●	●	
	PUSH			
	To R		●	●
R			●	●

Main Switch

Lock	Off	On	
		●	Red/white
●	●		Blue/black
		●	Orange
●	●		Black

