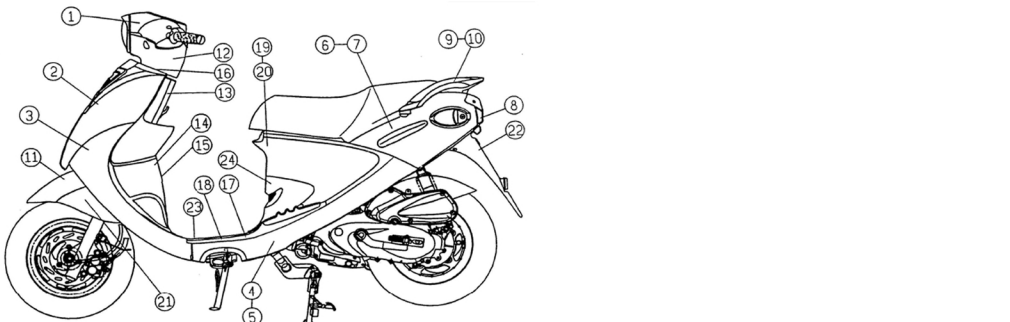


## Buddy 125 Table of Contents

Table	System	Page
Page 1	Body Panels	2
E1	Crankcase, Oil Pump	3
E2	Left Hand Side Cover	5
E3	Cylinder Head	7
E4	Cylinder , Piston, Crankshaft	9
E5	Right Crankcase Cover	11
E6	Caburetor	13
E7	Driven Pulley	15
E8	Fan Cover, Generator	17
E9	Starting Motor, Oil Pump	19
E10	Gear, Transmission	21
E11	Air Cleaner	23
E12	Muffler	25
E13	Rear Wheel	27

Table	System	Page
F1	Headlight , Steering Handle	29
F2	Speedometer	31
F3	Cable, Switches	33
F4	Fork, Front Fender	35
F5	Front Wheel , Caliper	37
F6	Windshield, Inner Cover	39
F7	Step Floor , Side Cover, Battery	41
F8	Body Cover, Luggage Bracket	43
F9	Seat, Under Seat, Tail Light	45
F10	License Plate, Reflectors, Light	47
F11	Fuel Tank	49
F12	Frame	51
F13	Wire Harnes, Electrical, Ignition	53
F15	Stickers, Logos, Emblems	55
F16	E.E.C. System	57



UPDATED 17.OCT.2014

**BUDDY 50/125/150/170**

Name/Color	2014 RIOT	ALL ITALIA	2008> RED	2008> LIGHT BLUE	ALL SANTROPEZ	ALL PAMPOLNA	BRIT 2014>	2008> BLACK	2014> ROYAL BLUE	2008> ORANGE	2008> SEA FOAM
1. HANDLE UPPER COVER	P66130017R02	P66130013K02	P66130011I02	P66130014202	P66130014302	P66130011502	P66130014J02	P66130016902	P66130014I02	P66130012T02	P66130013N02
1A. 2008 HANDLE UPPER COVER SMALL	NA	NA	NA	NA	NA	NA	NA	P561300069N	NA	NA	NA
2. WINDSHIELD	P66210037R00	P6621003K00	P66210011I00	P66210014200	P66210014300	P66210011500	P66210034J00	P66210006900	P66210034I00	P66210012T00	P66210013N00
3. FRT LOWER COVER	P56260137R00	P56260133I00	P56260131I00	P56260134200	P56260137U00	P56260132U00	P56260137500	P56260136900	P56260134I00	P56260132T00	P56260133N00
4. LH SIDE COVER	P66263007R00	P6626300J00	P6626300I00	P66263004200	P66263007U00	P66263002U00	P66263007500	P66263006900	P66263004I00	P66263002T00	P66263003N00
5. RH SIDE COVER	P66265007R00	P6626500K00	P6626500I00	P66265004200	P66265007U00	P66265002U00	P66265007500	P66265006900	P66265004I00	P66265002T00	P66265003N00
6. LH BODY COVER	P662625047R00	P662625031K00	P662625011I00	P662625014200	P6626250314300	P6626250311500	P66262504I00	P662625016900	P66262504I00	P662625012T00	P662625031N00
7. RH BODY COVER	P662625007R00	P66262500K00	P66262500I00	P662625004200	P6626250074300	P6626250011500	P662625024I00	P662625016900	P662625024I00	P662625012T00	P662625003N00
8. REAR COVER	P6626257017R00	P662625700K00	P662625700I00	P6626257004200	P6626257004300	P6626257001500	P6626257014I00	P6626257006900	P6626257014I00	P6626257002T00	P6626257003N00
9. RR LUGGAGE BRACKET	P66760026800	P66760007J00	P66760007I00	P66760007J00	P66760007J00	P66760007J00	P667600027500	P66760006800	P66760007J00	P66760007J00	P66760007J00
10. RR LUGGAGE COVER	P66760100000	P66760100000	P66760100000	P66760100000	P66760100000	P66760100000	P66760100000	P66760100000	P66760100000	P66760100000	P66760100000
11.1. FRT SECTION,FRT FENDER(50cc)	P56320017R00	P56320003J00	P56320001I00	P56320004200	P56320004400	P56320002U00	P56320017500	P56320006900	P56320014I00	P56320002T00	P56320003N00
11.2. FRT SECTION,FRT FENDER(125/150/170)	P66320007R00	P66320003J00	P66320001I00	P66320004200	P66320007U00	P66320002U00	P66320007500	P66320006900	P66320004I00	P66320002T00	P66320003N00

**BUDDY 50/125/150/170**

12. HANDLE LOWER COVER	P66140016502	P66140013L02	P66140016502	P66140016502	P66140024402	P66140021U02	P66140016502	P66140016502	P66140016502	P66140016502	P66140016502
12.A. 2006 HANDLE LOWER COVER SM	NA	NA	NA	NA	NA	NA	NA	P561D0006500	NA	NA	NA
13.1 UPPER SECTION,(W/ CHARGING SEAT)	P5623030650	P56230303L01	P5623030650	P5623030650	P56230304401	P56230301U01	P5623030650	P5623030650	P5623030650	P5623030650	P5623030650
14.2 LOWER SECTION,(W/H MFG PLATE)	P562C0406500	P562C0403L00	P562C0406500	P562C0406500	P562C0404400	P562C0401U00	P562C0406500	P562C0406500	P562C0406500	P562C0406500	P562C0406500
15. VIN COVER	P5623010650	P56230103L01	P5623010650	P5623010650	P56230104400	P56230101U00	P5623010650	P5623010650	P5623010650	P5623010650	P5623010650
16.FRT PANEL,INNER COVER	P5623020650	P56230203L01	P5623020650	P5623020650	P56230204400	P56230201U00	P5623020650	P5623020650	P5623020650	P5623020650	P5623020650
17. STEP FLOOR	P6624001650	P66240013L01	P6624001650	P6624001650	P66240024400	P66240021U00	P6624001650	P6624001650	P6624001650	P6624001650	P6624001650
18. BATTERY COVER	C2624031650	C2624031650	C2624031650	C2624031650	C2624031650	C2624031650	C2624031650	C2624031650	C2624031650	C2624031650	C2624031650
19. BODY COVER,LH FRT	P662E010650	P662E0103L01	P662E010650	P662E010650	P662E0104400	P662E0101U00	P662E010650	P662E010650	P662E010650	P662E010650	P662E010650
20. BODY COVER,RR FRT	P662E020650	P662E0203L01	P662E020650	P662E020650	P662E0204400	P662E0201U00	P662E020650	P662E020650	P662E020650	P662E020650	P662E020650
21.1.RR SECTION, FRT FENDER(50cc)	P5632600650	P56326003L00	P5632600650	P5632600650	P56326004400	P56326001U00	P5632600650	P5632600650	P5632600650	P5632600650	P5632600650
21.2.RR SECTION, FRT FENDER(125/150/170)	C2632601000	C26326013L01	C2632601000	C2632601000	C26326014400	C26326011U00	C2632601000	C2632601000	C2632601000	C2632601000	C2632601000
22. LICENCE PLATE	P5636003650	P56360033L01	P5636003650	P5636003650	P56360034400	P56360031U00	P5636003650	P5636003650	P5636003650	P5636003650	P5636003650
23. MAT FLOOR	P66245010000	P66245010002	P66245010000	P66245010000	P66245010003	P66245010004	P66245010000	P5636003650	P5636003650	P66245010000	P66245010000
24. MIDDLE COVER	P6625010650	P66250103L01	P6625010650	P6625010650	P66250104400	P66250101U00	P6625010650	P6625010650	P6625010650	P6625010650	P6625010650

**BUDDY 50/125/150/170**

Name/Color	2008> WHITE	2009 BLACK JACK	2012 PSYCHO	BUDDY 170 MATTE BLACK	2012/13 NEW PINK	BUDDY 170 OXFORD GREEN	BUDDY 170 MOCHA / CRÉME	BUDDY 170 ZEPHYR SILVER	2006/2007 CREAM	2006>2009 PINK	Lt.	2006/2007 SUNSET
1. HANDLE UPPER COVER	P66130017I02	P66130016802	P66130016802	P66130016802	P66130011A02	P66130013U02	P66130014202	P66130017I02	P66130012M02	P66130011Q02		P66130012N02
1A. 2008 HANDLE UPPER COVER SMALL	NA	NA	NA	NA	NA	NA	NA	NA	P56130006900	P56130001Q00		P56130002N00
2. WINDSHIELD	P66210027100	P66210026800	P66210026800	P66210036800	P66210031A00	P66210033U00	P66210032400	P66210037I00	P6621002M00	P66210001Q00		P66210002N00
3. FRT LOWER COVER	P56260137100	P56260136800	P56260136800	P56260136800	P56260131A00	P56260133U00	P56260132500	P56260137I00	P56260132M00	P56260131Q00		P56260132N00
4. LH SIDE COVER	P66263007100	P66263006800	P66263006800	P66263006800	P66263001A00	P66263003U00	P66263002100	P66263007I00	P66263002M00	P66263001Q00		P66263002N00
5. RH SIDE COVER	P66265007100	P66265006800	P66265006800	P66265006800	P66265001A00	P66265003U00	P66265002500	P66265007I00	P66265002M00	P66265001Q00		P66265002N00
6. LH BODY COVER	P662625047100	P6626250316800	P6626250316800	P6626250346800	P662625041A00	P662625033U00	P66262504200	P662625047I00	P662625032M00	P662625011Q00		P662625012N00
7. RH BODY COVER	P662625011700	P662625016800	P662625016800	P662625026800	P662625021A00	P662625023U00	P662625022400	P662625027I00	P662625012M00	P662625011Q00		P662625012N00
8. REAR COVER	P662625700100	P6626257006800	P6626257006800	P6626257016800	P6626257011A00	P6626257013U00	P6626257012400	P6626257007I00	P6626257002M00	P6626257001Q00		P6626257002N00
9. RR LUGGAGE BRACKET	P66760026800	P66760006800	P66760006800	P66760026800	P66760007I00	P66760007J00	P66760007J00	P66760007J00	P66760002M00	P66760007J00		P66760007J00
10. RR LUGGAGE COVER	P66760100000	P66760100000	P66760100000	P66760100000	P66760100000	P66760100000	P66760100000	P66760100000	P66760100000	P66760100000		P66760100000
11.1. FRT SECTION,FRT FENDER(50cc)	P56320007100	NA	NA	NA	P56320011A00	NA	NA	NA	P56320002M00	P56320001Q00		P56320002N00
11.2. FRT SECTION,FRT FENDER(125/150/170)	P66320007100	P66320006800	P66320006800	P66320006800	P66320001A00	P66320003U00	P66320002500	P66320007I00	P66320002M00	P66320001Q00		P66320002N00

**BUDDY 50/125/150/170**

12. HANDLE LOWER COVER	P66140016502	P66140016502	P66140016502	P66140016502	P66140016502	P66140043V02	P66140042802	P66140016502	P66140016502	P66140011R02		P66140012Q02
12.A. 2006 HANDLE LOWER COVER SM	NA	NA	NA	NA	NA	NA	NA	NA	P561D0006500	P561D0001Q00		P561D0002Q00
13.1 UPPER SECTION,(W/ CHARGING SEAT)	P5623030650	P5623030650	P5623030650	P5623030650	P5623030650	P56230313V00	P56230312801	P5623030650	P5623030650	P56230301R00		P56230302Q00
14.2 LOWER SECTION,(W/H MFG PLATE)	P562C0406500	P562C0406500	P562C0406500	P562C0406500	P562C0406500	P56230413V00	P562C0412800	P562C0406500	P562C0406500	P562C0401R00		P562C0402Q00
15. VIN COVER	P5623010650	P5623010650	P5623010650	P5623010650	P5623010650	P56230113V00	P562301112800	P5623010650	P5623010650	NA		P56230102Q00
16.FRT PANEL,INNER COVER	P5623020650	P5623020650	P5623020650	P5623020650	P5623020650	P56230213V00	P56230212800	P5623020650	P5623020650	P56230201R00		P56230202Q00
17. STEP FLOOR	P6624001650	P6624001650	P6624001650	P6624001650	P6624001650	P66240033V00	P66240032800	P6624001650	P6624001650	P66240011R00		P66240012Q00
18. BATTERY COVER	C2624031650	C2624031650	C2624031650	C2624031650	C2624031650	C2624031650	C2624031650	C2624031650	C2624031650	C2624031650		C2624031650
19. BODY COVER,LH FRT	P662E010650	P662E010650	P662E010650	P662E010650	P662E010650	P662E0103V00	P662E0102800	P662E010650	P662E010650	P662E0101R00		P662E0102Q00
20. BODY COVER,RR FRT	P662E020650	P662E020650	P662E020650	P662E020650	P662E020650	P662E0203V00	P662E0202800	P662E020650	P662E020650	P662E0201R00		P662E0202Q00
21.1.RR SECTION, FRT FENDER(50cc)	P5632600650	NA	NA	NA	P56340006501	NA	NA	NA	P5632600650	P56326001R00		P56326002Q00
21.2.RR SECTION, FRT FENDER(125/150/170)	C2632601000	C2632601000	C2632601000	C2632601000	C2632601000	C26326023V00	C26326022800	C2632601000	C2632601000	C26326011Q00		C26326012Q00
22. LICENCE PLATE	P5636003650	P5636003650	P5636003650	P5636003650	P5636003650	P56360033V00	P56360032800	P5636003650	P5636003650	P56360031R00		P56360032Q00
23. MAT FLOOR	P66245010000	P66245010000	P66245010000	P66245010000	P66245010000	P66245010000	P66245010000	P66245010000	P66245010000	P662450101R00		P662450102Q00
24. MIDDLE COVER	P6625010650	P6625010650	P6625010650	P6625010650	P6625010650	P66250113V00	P662501112800	P6625010650	P6625010650	P66250101R00		P66250102Q00

# E1 Crankcase Buddy 125

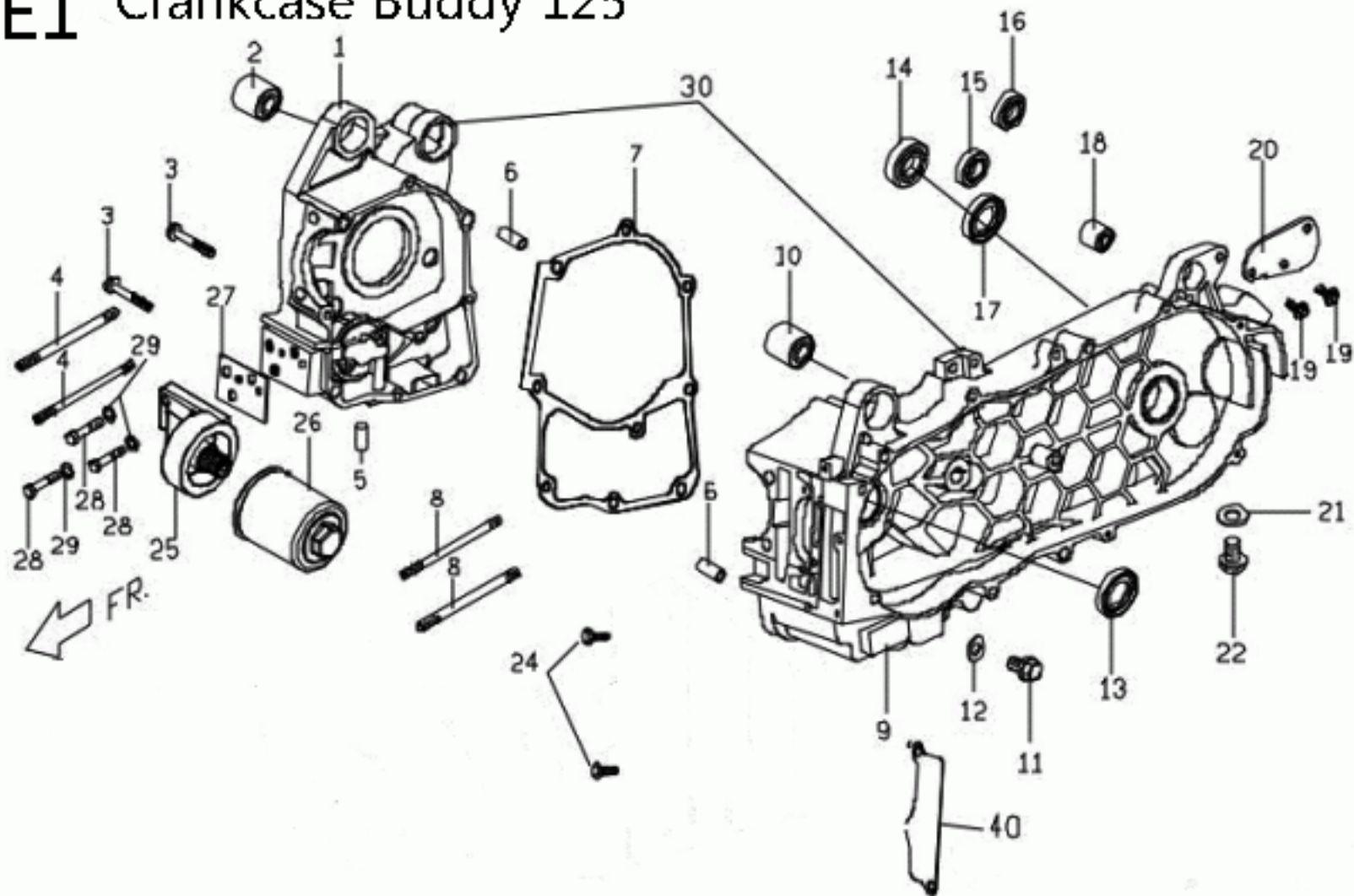


Table - E1 CRANKCASE Buddy 125

NO.	PartNo.	Q'TY	PART NAME	NO.	PartNo.	Q'TY	PART NAME
1	C1061012000	1	CRANKCASE, RH	21	92140800001	1	WASHER (8*1.6T)
2	E1061020000	1	BUSH, QUAKEPROOF	22	90190801200	1	HEXAGON FLANGE BOLT (M8*12L)
3	90190605003	2	HEXANGON FLANGE BOLT	22	90190801202	1	HEXAGON FLANGE BOLT (M8*12L)
4	90170818800	2	STUD BOLT	24	90190602700	2	HEXAGON FLANGE BOLT (M6*27L)
5	G1061070000	1	OIL PLUG	25	C1082030000	1	SEAT, OIL FILTER
6	93540801400	2	LOCK PIN	26	C1082020000	1	OIL FILTER
7	C5061041000	1	Crankcase Gasket	27	C1082042000	1	GASKET,OIL FILTER
8	90170819500	2	STUD BOLT	28	90190602002	3	HEXAGON FLANGE BOLT (M6*20L)
9	C2062012000	1	CRANKCASE,LH.	29	92140600011	3	WASHER
10	E1061020000	1	BUSH, QUAKEPROOF	30	C206K010000	1	CRANKCASE ASSY.RH/LH.
11	90181201500	1	HEXAGON FLANGE BOLT (M12*15L)	40	C1286320000	1	PLATE, 2ND AIR COVER
12	92141200006	1	WASHER				
13	95572232601	1	OIL SEAL, TC TYPE				
14	96510620407	1	DEEP GROOVE BALL BEARING				
15	96510620200	1	BALL BEARING				
16	96510620301	1	BALL BEARING				
17	95572032600	1	OIL SEAL TC TYPE 20*32*6				
18	P1062020000	1	BUSH, QUAKEPROOF				
19	90190601601	2	HEXAGON FLANGE BOLT (M6*16L)				
20	C2706010000	1	PLATE , AIR CLEANER				

# E2 Left Hand Side Cover Buddy 125

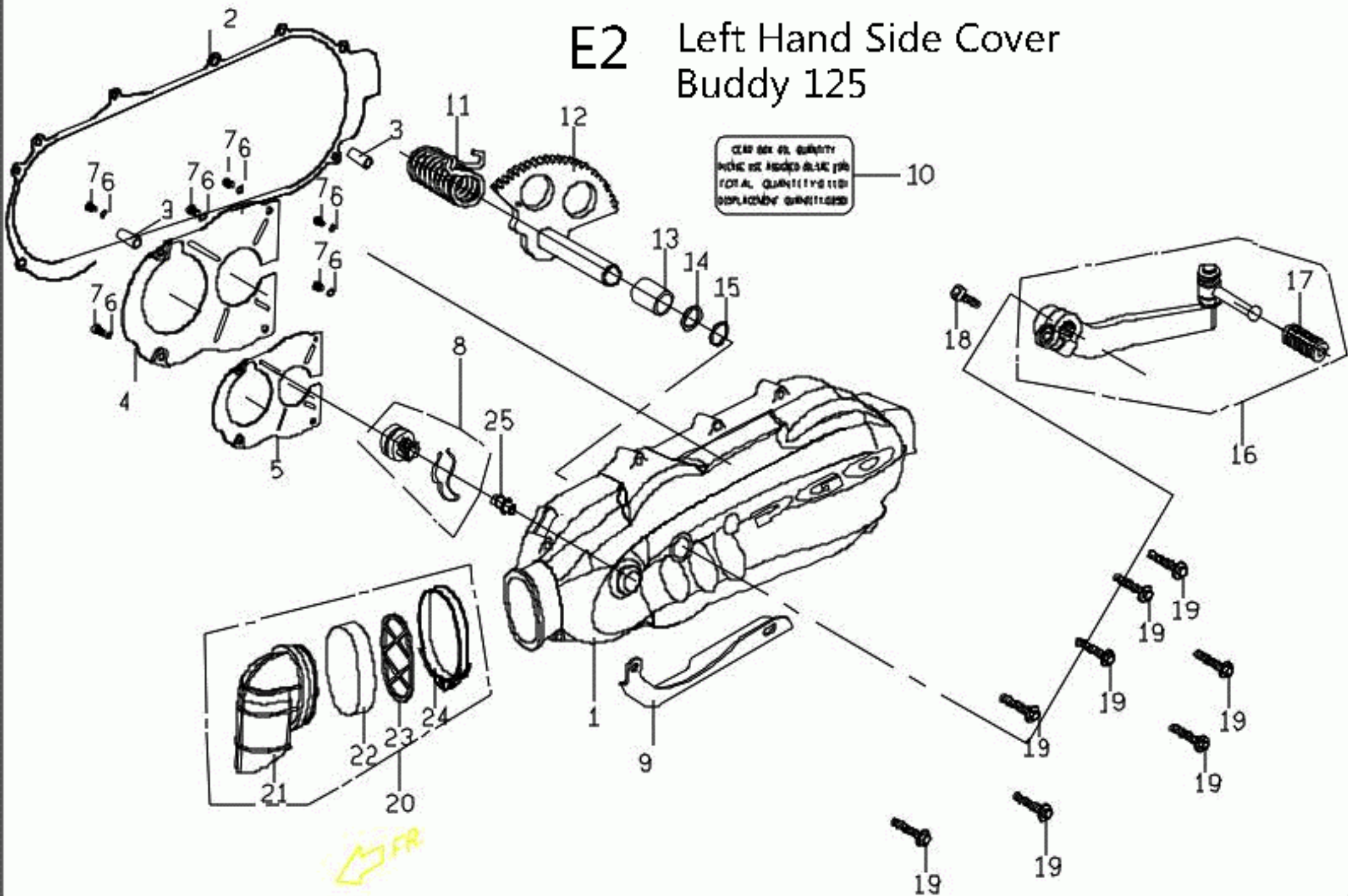


TABLE - E2 LH CRANKCASE

NO.	PartNo.	Q'TY	PART NAME	NO.	PartNo.	Q'TY	PART NAME
1	C2063012720	1	LH., SIDE COVER, genuine, silver	14	92141700002	1	WASHER
2	C2063020000	1	Gasket Left Cover	15	92171700000	1	RETAINING RING C TYPE
3	93540801400	2	LOCK PIN	16	C1251200000	1	KICK STARTER ASSY
4	C20630600001	1	PARTITION PLATE	17	E1251240000	1	RUBBER,PAD,KICK STARTER
5	C20631200001	1	GASKET PARTITION PLATE	18	90210802500	1	HEXAGON SCOKET HD. CAP BOLT(M8*25L)
6	92110500000	6	SPRING LOCK WASHER	19	90190604001	8	HEXAGON FLANGE BOLT (M6*40L)
7	90050500900	6	CR ROUND HD MACHINE SCREW(M5*9	20	C1063102000	1	BREATHER PIPE COMP.
8	C1251001000	1	DRIVEN GEAR & SPRING ASSY	21	C1063030000	1	BREATHER PIPE
9	C1062081000	1	BRACKET, CENTER STAND	22	C1063092000	1	SPONGE,BREATHER PIPE
10	C16031400001	1	NOTICE STICKER, GEAR OIL	23	C1063110000	1	FIXING PLATE
11	C1251112000	1	TORSION SPRING	24	C1706280000	1	CLAMP
12	C1251101000	1	SHAFT ASSY,KICK STARTER	25	C1251171000	1	FIXED SHAFT, KICK STARTER
13	C1251120000	1	BUSH, KICK SPINDLE				

# E3 Cylinder Head Buddy 125

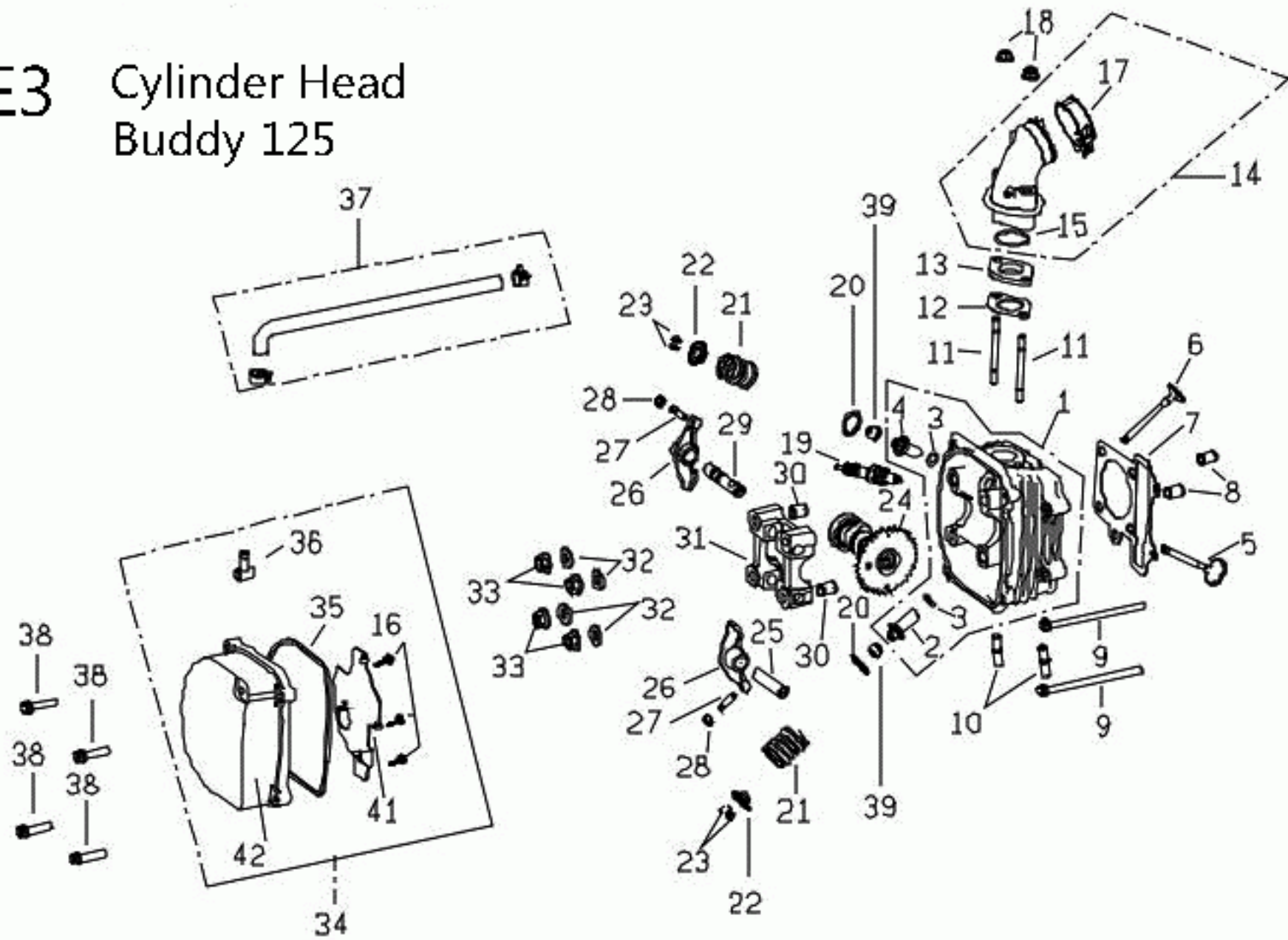


Table - E3 CYLINDER HEAD

NO.	PartNo.	Q'TY	PART NAME	NO.	PartNo.	Q'TY	PART NAME
1	C10710120001	1	CYLINDER HEAD	22	C1071440000	2	RETAINER, VALVE SPRING
5	C1071200000	1	VALVE, EXHAUST	23	C1071430000	4	COTTER VALVE
6	C1071300000	1	VALVE, INTAKE	24	C1073001000	1	CAMSHAFT COMP
7	C1071072000	1	CASKET HEAD CYL.	25	C1072060000	1	SHAFT, EX ROCKER ARM
8	93541001401	2	LOCK PIN (10*14)	26	C1072010000	2	ROCKER ARM, VALVE
9	90190610000	2	HEXAGON FLANGE BOLT (M6*100L)	27	C1072420000	2	TOPPED ADJUSTABLE SCREW
9	90190610001	2	HEXAGON FLANGE BOLT (M6*100L)	28	92020500000	2	HEXAGON NUT (M5*0.8P)
10	90170802900	2	STUD BOLT	29	C1072050000	1	SHAFT, IN ROCKER ARM
11	90170606300	2	STUD BOLT	30	93541001401	2	LOCK PIN (10*14)
12	C1261321000	1	Insulator Carb. Gasket	31	C1072430000	1	CAMSHAFT HOLDER
13	C1261310000	1	INSULATOR, CARB.	32	92140800000	4	PLAIN WASHER
14	C1261052000	1	INTAKE MANIFOLD ASSY	33	92040800000	4	HEXAGON FLANGE NUT
15	95512700001	1	O RING	34	C3071100000	1	COVER COMP,CYLINDER HEAD
16	90150400800	4	CR TRUSS HD TAPPING SCREW(M4*8L)	35	C1071120000	1	GASKET, CYLINDER HEAD COVER
17	C1261061000	1	HOSE CLAMP	36	C3071130000	1	BREATHER TUBE PLUG
18	92040600000	2	HEXAGON FLANGE NUT (M6*1.0P)	37	C3071190000	1	BREATHER TUBE ASSY
19	C1222000000	1	SPARKING PLUG, C7HSA	38	90190602700	4	HEXAGON FLANGE BOLT (M6*27L)
19	C12220000002	1	SPARKING PLUG, CR7HSA	39	C1071451000	2	SEAL, VALVE
20	92431600002	2	WASHER	41	C10711500001	1	PARTITION PLATE
21	C1071410000	2	VALVE SPRING				



# E4 Cylinder, Piston, Crankshaft Buddy 125

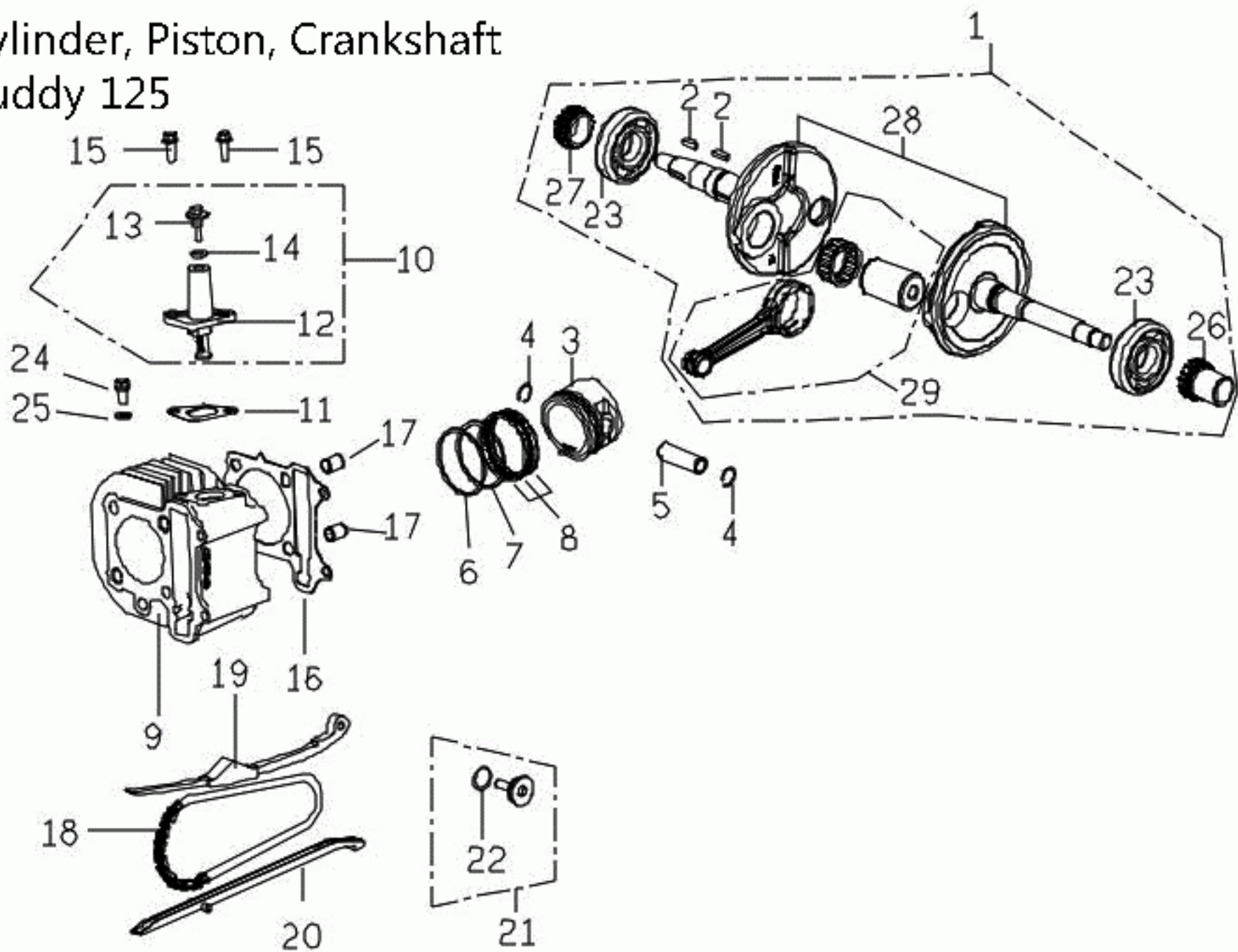


Table - E4 CYLINDER, PISTON, CRANKSHAFT

NO.	PartNo.	Q'TY	PART NAME	NO.	PartNo.	Q'TY	PART NAME
1	C1066503000	1	CRANK SHAFT ASSY.	16	C1064111000	1	Gasket Cyl.
2	93530402500	2	WOODRUFF KEY	17	93541001401	2	LOCK PIN (10*14)
3	C1067013000	1	PISTON	18	C1072460000	1	CHAIN, CAMSHAFT
4	C1067150000	2	CLIP, PISTON PIN	19	C1072440000	1	TENSIONER, TIMING CHAIN
5	C1067110000	1	PISTON PIN	20	C1072470000	1	GUIDE COMP, TIMING CHAIN
6	C10673100001	1	PISTON RING (1)	21	C1072490000	1	SCREW ASSY, TIMING CHAIN TENSIONER
7	C1067321000	1	PISTON RING (2)	22	95511500001	1	O RING
8	C1067402000	1	OIL SCRAPER RING COMP	23	C1062100000	2	ROLLER BEARING
9	C1064011000	1	CYLINDER	24	90190601200	1	HEXAGON FLANGE BOLT(M6*1.0P*12L)
10	C1072500000	1	CHAIN ADJUSTER ASSY	24	90190601207	1	HEXAGON FLANGE BOLT(M6*1.0P*12L)
11	C10724820000	1	Gasket, Chain Adjuster	25	92140600011	1	WASHER
13	C1072560000	1	CHAIN ADJUSTER BOLT	26	C1066130000	1	TIMING SPROCKET
14	95510900001	1	O RING	27	C1066140000	1	OIL PUMP SPROCKET
15	90190601601	1	HEXAGON FLANGE BOLT (M6*16L)	29	C106F020000	1	CONNECTING ROD COMP

# E5 Right Crankcase Cover Buddy 125

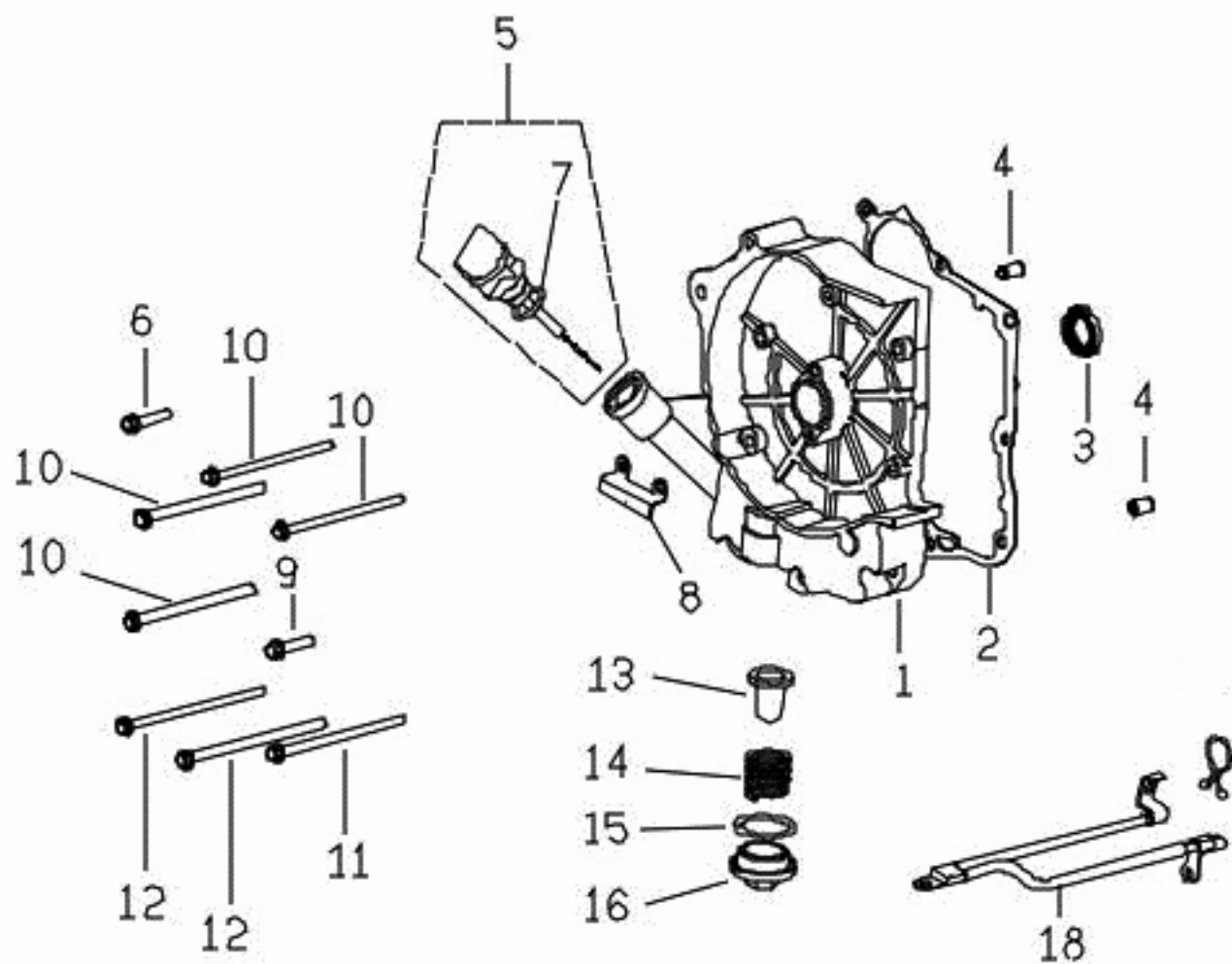


Table - E5 RIGHT CRANKCASE COVER

NO.	PartNo.	Q'TY	PART NAME
1	C10680100002	1	COVER, R. CRANKCASE
2	C1068021000	1	GASKET RH, CRANKCASE COVER
3	95572030501	1	OIL SEAL TC TYPE
4	93540801400	2	LOCK PIN
5	C2068110000	1	GAUGE, OIL LEVEL ASSY
7	95511800001	1	O-RING
8	C1706640000	1	A.C.G PLATE
9	90190602700	1	HEXAGON FLANGE BOLT (M6*27L)
10	90190609500	4	HEXANGON FLANGE BOLT (M6*95L)
11	90190610000	1	HEXAGON FLANGE BOLT (M6*100L)
11	90190610001	1	HEXAGON FLANGE BOLT (M6*100L)
12	90190611000	2	HEXAGON FLANGE BOLT (M6*110L)
13	G1062180000	1	SCREEN ,OIL FILTER
14	C1062190000	1	COMPRESSION SPRING
15	95513100000	1	O RING
16	C1062240000	1	CAP, OIL FILTER
18	P6241031000	1	STARTING MOTOR GROUND WIRE
19	90190603000	1	HEXAGON FLANGE BOLT (M6*30L)
19	90190603001	1	HEXAGON FLANGE BOLT (M6*30L)

# E6 Carburetor Buddy 125

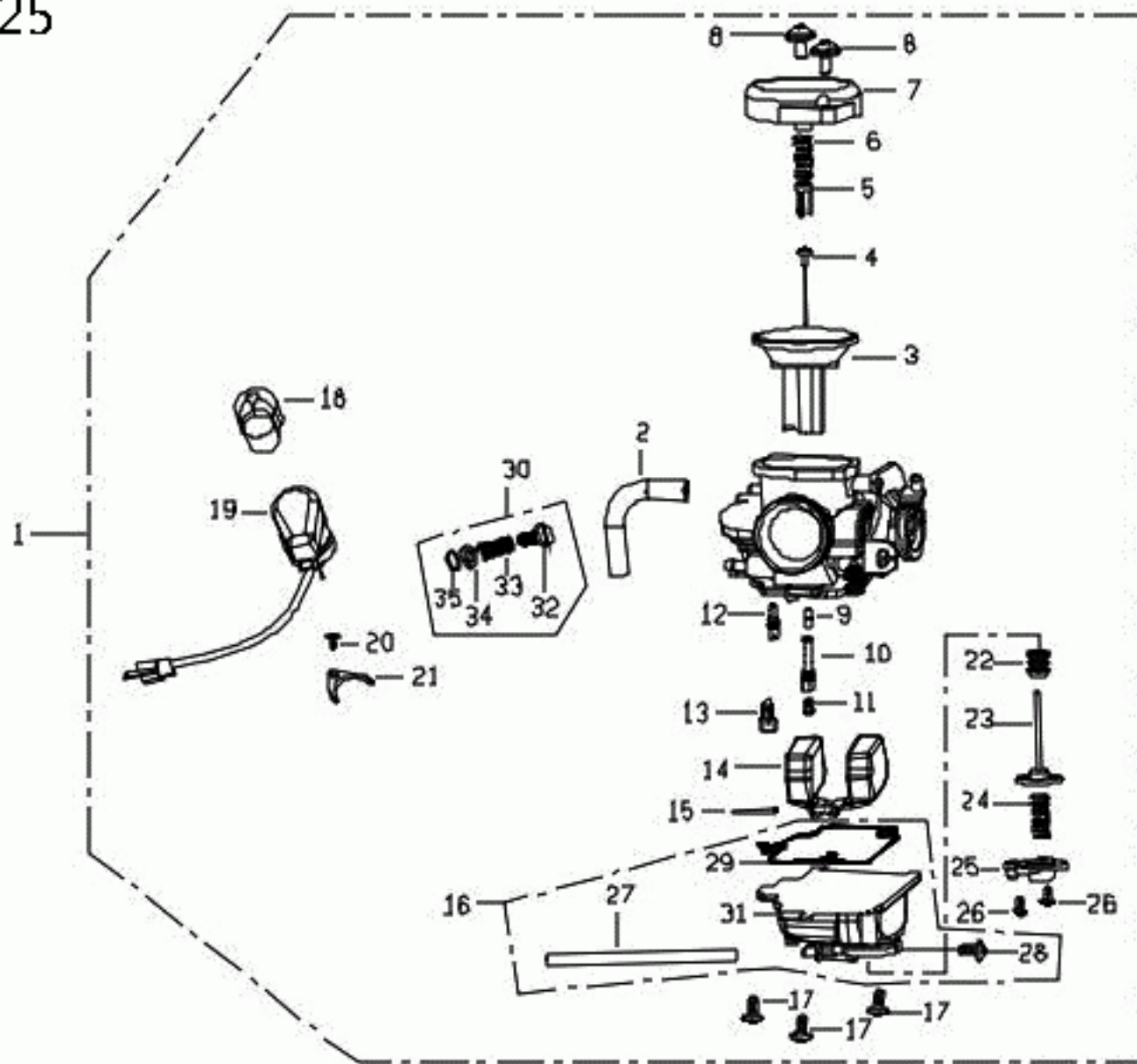


Table - E6 CARBURETOR

NO.	PartNo.	Q'TY	PART NAME	NO.	PartNo.	Q'TY	PART NAME
1	C21510010004	1	CARB. ASSY	19	40000940000	1	AUTO BYSTARTER ASSY.
2	16199GY69000	1	TUBE	20	938920400818	1	SCREW,WASHER
3	14029232201	1	VACUUM PISTON COMP.	21	10908732001	1	SET PLATE
4	N4254HJBN	1	JET NEEDLE COMP.	22	10280547000	1	RUBBER CAP
5	12298057000	1	SPG. SEAT	23	12018302201	1	DIAPHRAGM COMP.
6	1290A232000	1	SPG.;COMPR.	24	1290A072000	1	SPG.;COMPR.
7	10308737003	1	TOP	25	12308502000	1	COVER
8	1108031100	2	SCREW,PAN	26	93500040101H	2	SCREW
9	N42633C00	1	NEEDLE JET	27	1785402H0040	1	TUBE
10	N41318C00	1	NEEDLE JET HOLDER	28	11988222000	1	SCREW
11	991011160920	1	MAIN JET	29	12028656000	1	PARKING
12	1001440H0381	1	SLOW JET COMP.	30	K4460100100	1	PILOT SCREW SET
13	16155ZG8L100	1	FLOAT VALVE ASSY	31	N35061C00	1	FLOAT CHAMBER COMP.
14	10528622101	1	FLOAT COMP.	32	N44612C00	1	SCREW
17	93500040121H	3	SCREW,PAN	34	3018032000	1	WASHER
18	12308567001	1	COVER	35	16075KG89010M1	1	O RING

# E7 Driven Pulley Buddy 125

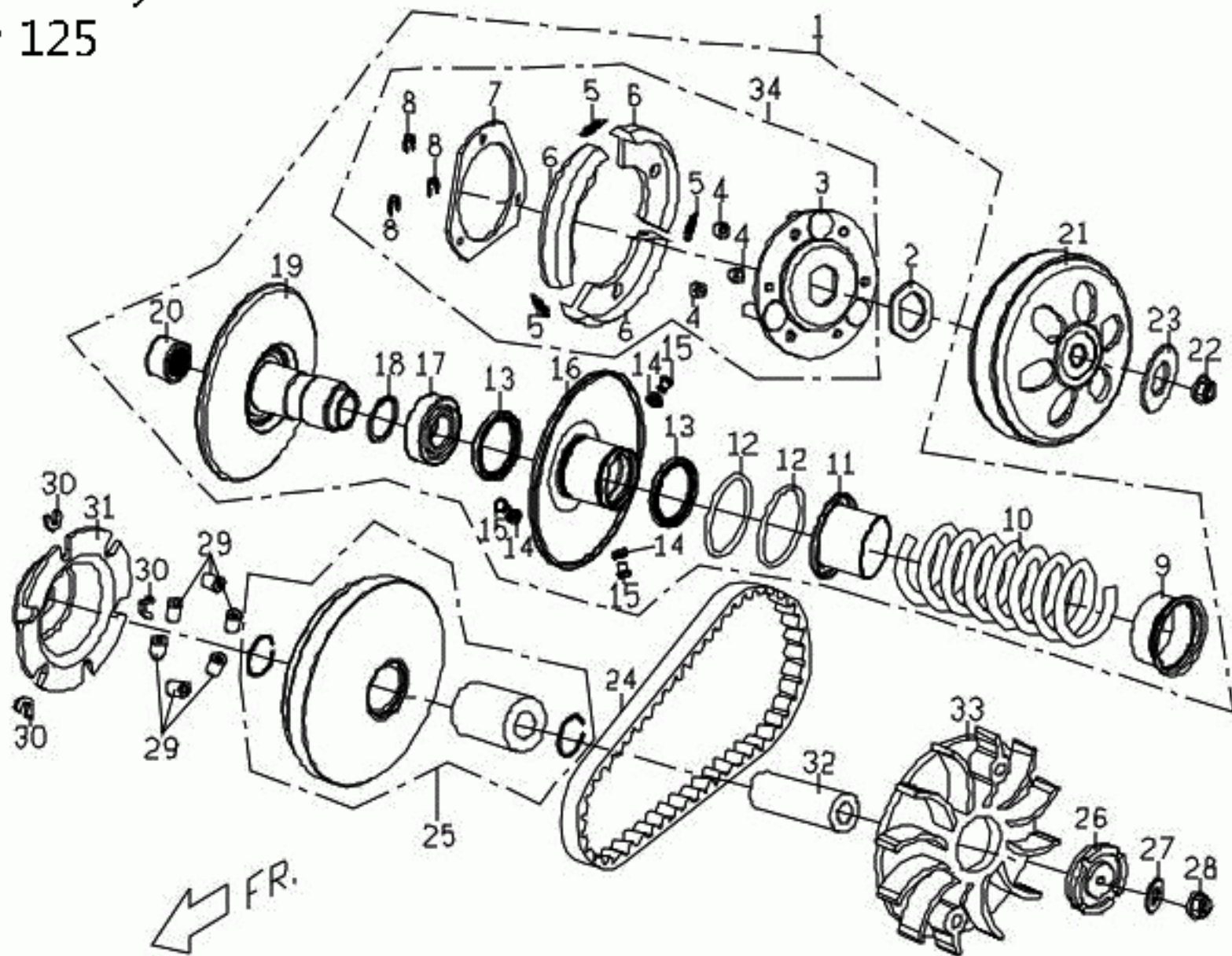


Table - E7 DRIVEN PULLEY

NO.	PartNo.	Q'TY	PART NAME	NO.	PartNo.	Q'TY	PART NAME
1	C1123700000	1	BELT PULLEY COMP,DRIVEN FACE	18	92162400000	1	RETAINING RING C TYPE
2	P1123410000	1	NUT	19	C1123110000	1	DOBY COMP,DRIVEN FACE
3	C1123300000	1	BODY COMP,DRIVE PLATE	20	96550202900	1	NEEDLE BEARING
4	C1123420000	3	DAMPER RUBBER,CLUTCH	21	C1123510000	1	OUTER BODY COMP.CLUTCH
5	C1123430000	3	SPRING,CLUTCH	22	92041200002	1	HEXAGON FLANGE NUT
6	C1123440000	3	WEIGHT SET,CLUTCH	23	92141200005	1	WASHER
7	C1123450000	1	PRESSURE PLATE,CLUTCH	24	C21220000001	1	V TYPE BELT
8	92180700000	3	RETAINING RING E TYPE	25	C11211000001	1	FACE MOVABLE DRIVE
9	C1123330000	1	COLLAR,SPRING	26	C1251030000	1	RATCHET , KICK STARTER
10	C1123520000	1	SPG.,DRIVEN FACE	27	92141200005	1	WASHER
11	C1123530000	1	SEALED SOCKET	28	92041200002	1	HEXAGON FLANGE NUT
12	95513700000	2	O-RING	29	C11212000001	6	WEIGHT ROLLER ASSY, blue 11g
13	95593441400	2	OIL SEAL G TYPE	30	C1121321000	3	SLIDE PIECE
14	C1123250000	3	BUSH	31	C1121310000	1	PAMP PLATE
15	C1123240000	3	PIN,GRIDE	32	C1121050000	1	BOSS DRIVE FACE
16	C1123210000	1	BODY COMP., DRIVEN FACE	33	C11210600001	1	DRIVE FACE
17	96520690200	1	DEEP GROOVE BALL BEAR ONE SEAL	34	C1123600000	1	PLATE COMP DRIVE



# E8 Fan Cover, Generator Buddy 125

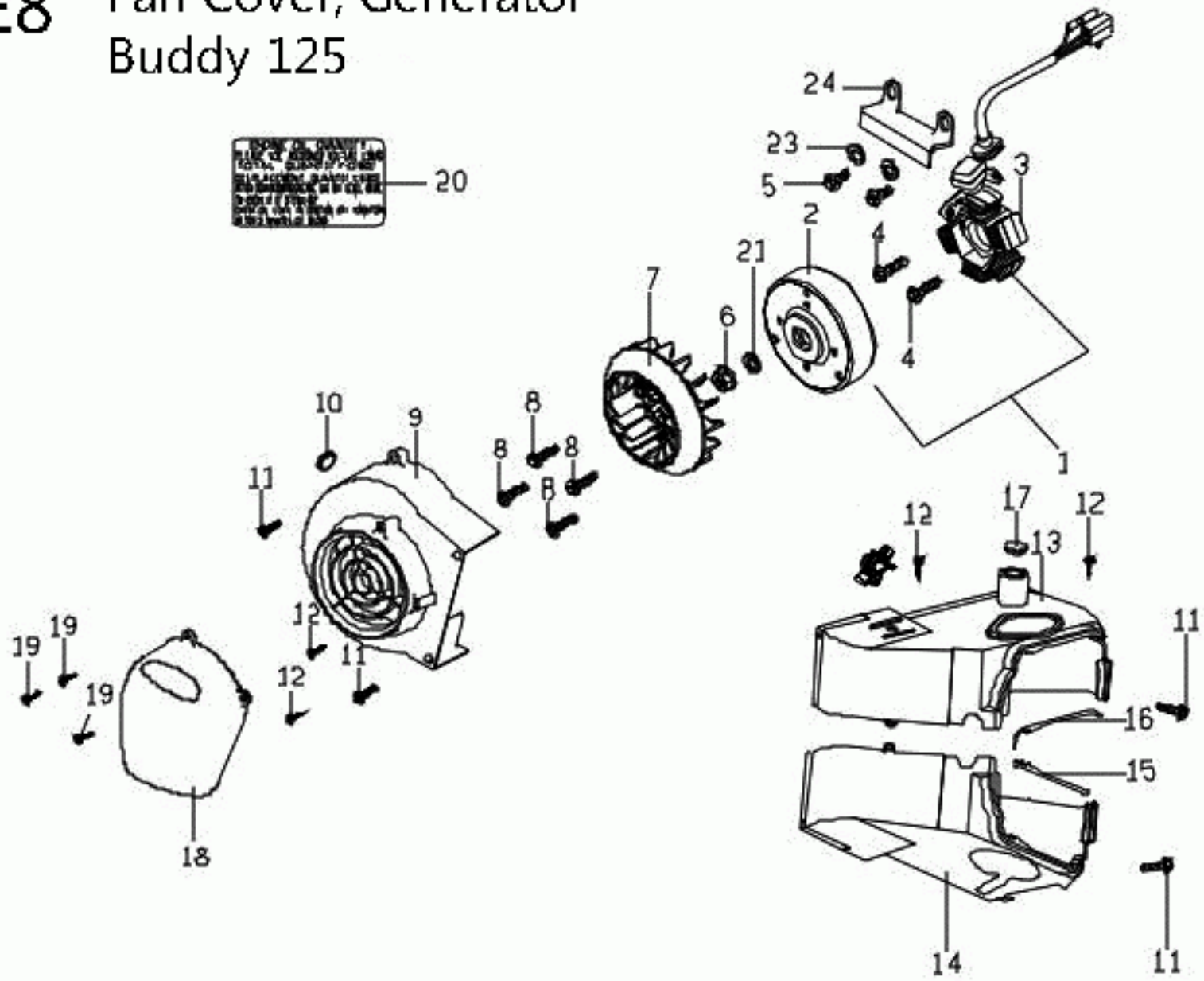


Table - E8 GENERATOR

NO.	PartNo.	Q'TY	PART NAME	NO.	PartNo.	Q'TY	PART NAME
1	C1221000001	1	A.C.G COMP.	12	90150501602	4	C-R RECESS PAN HD. TAPPING
2	C12210100001	1	FLYWHEEL COMP	13	C1042213000	1	COOLING COWL (2), pair with #25
3	C12210200001	1	STATOR COMP	14	C1042102000	1	COOLING COWL (1)
4	90180602000	2	HEXAGON FLANGE BOLT (M6*20L)	15	C1042120000	1	SEAL, COOLING COWL (1)
4	90180602002	2	HEXAGON FLANGE BOLT (M6*20L)	16	C1042220000	1	SEAL, COOLING COWL (2)
5	90190501201	2	HEXAGON FLANGE BOLT (M5*12L)	17	C1701260000	1	RUBBER PLUG
6	92041200000	1	HEXAGON FLANGE NUT	18	C1042242000	1	COVER, FAN HOOD
7	C1043001000	1	FAN	19	90110401600	3	CR PAN HD TAPPING SC
8	90190601204	4	Hexangon Flange Bolt	20	C16031300001	1	NOTICE STICKER, OIL
8	90190601206	4	Hexangon Flange Bolt	21	92141200005	1	WASHER
9	C10420020000	1	FAN COVER	23	92140500014	2	PLAIN WASHER
10	C1042030000	1	RUBBER PLUG	24	C1706640000	1	A.C.G PLATE
11	90180602000	4	HEXAGON FLANGE BOLT (M6*20L)	25	C1042270000	1	GUIDENCE PIPE
11	90180602002	4	HEXAGON FLANGE BOLT (M6*20L)				

# E9 Starting Motor, Oil Pump Buddy 125

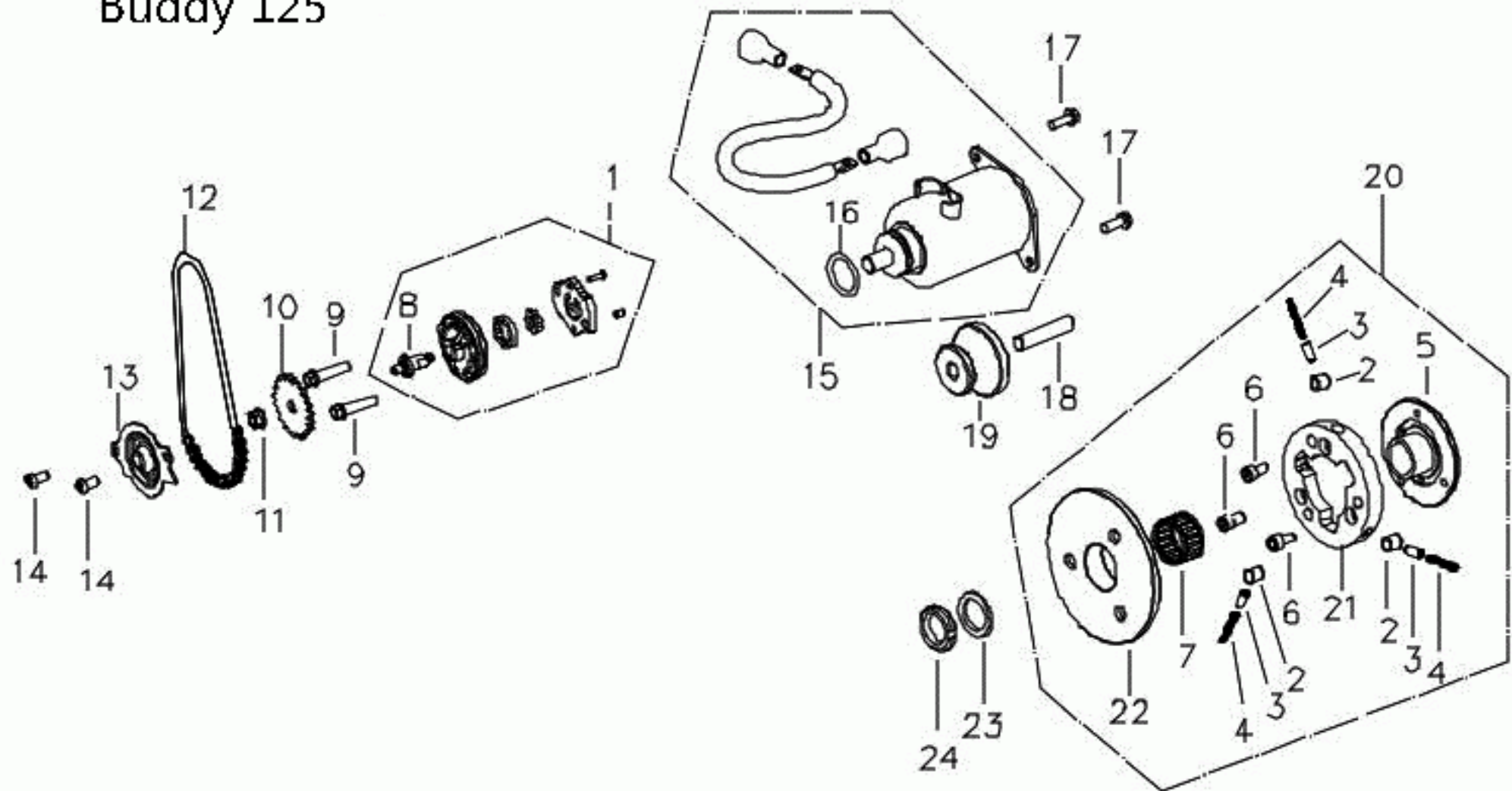



Table - E9 STARTING MOTOR

NO.	PartNo.	Q'TY	PART NAME
1	C1081000000	1	OIL PUMP COMP.
2	C1243030000	3	ROLLER ONE WAY CLUTCH
3	C1243020000	3	COP,ROLLER SPRING
4	G1243010000	3	COMPRESS SPRING
5	C12430500001	1	COVER CLUTCH OUTER
6	90210801000	3	HEXAGON SOCKET BOLT
7	96590283200	1	NEEDLE BEARING
8	C1081070000	1	SHAFT,OIL PUMP
9	90190602700	2	HEXAGON FLANGE BOLT (M6*27L)
10	C1081030000	1	SPRKT OIL PUMP DRIVEN
11	92040600000	1	HEXAGON FLANGE NUT (M6*1.0P)
12	C1081220000	1	CHAIN, OIL PUMP
13	C1081230000	1	SEPARATOR, OIL
14	E1681030000	2	PAN BOLT WITH WASHER
15	C1241000000	1	MOTOR ASSY STARTER
16	95512400002	1	O RING
17	90190601601	2	HEXAGON FLANGE BOLT (M6*16L)
18	C1242040000	1	SHAFT, START REDUCTION GEAR
19	C1242010000	1	GEAR, STARTER REDUCTION
20	C12430000001	1	ONE WAY CLUTCH ASSY
22	C1244000000	1	GEAR COMP.STARTING CLUTCH
23	92142200000	1	WASHER (22*31*2.5)
24	C1243060000	1	LOCK NUT (L)

# E10 Gear Transmission Buddy 125

FR. 

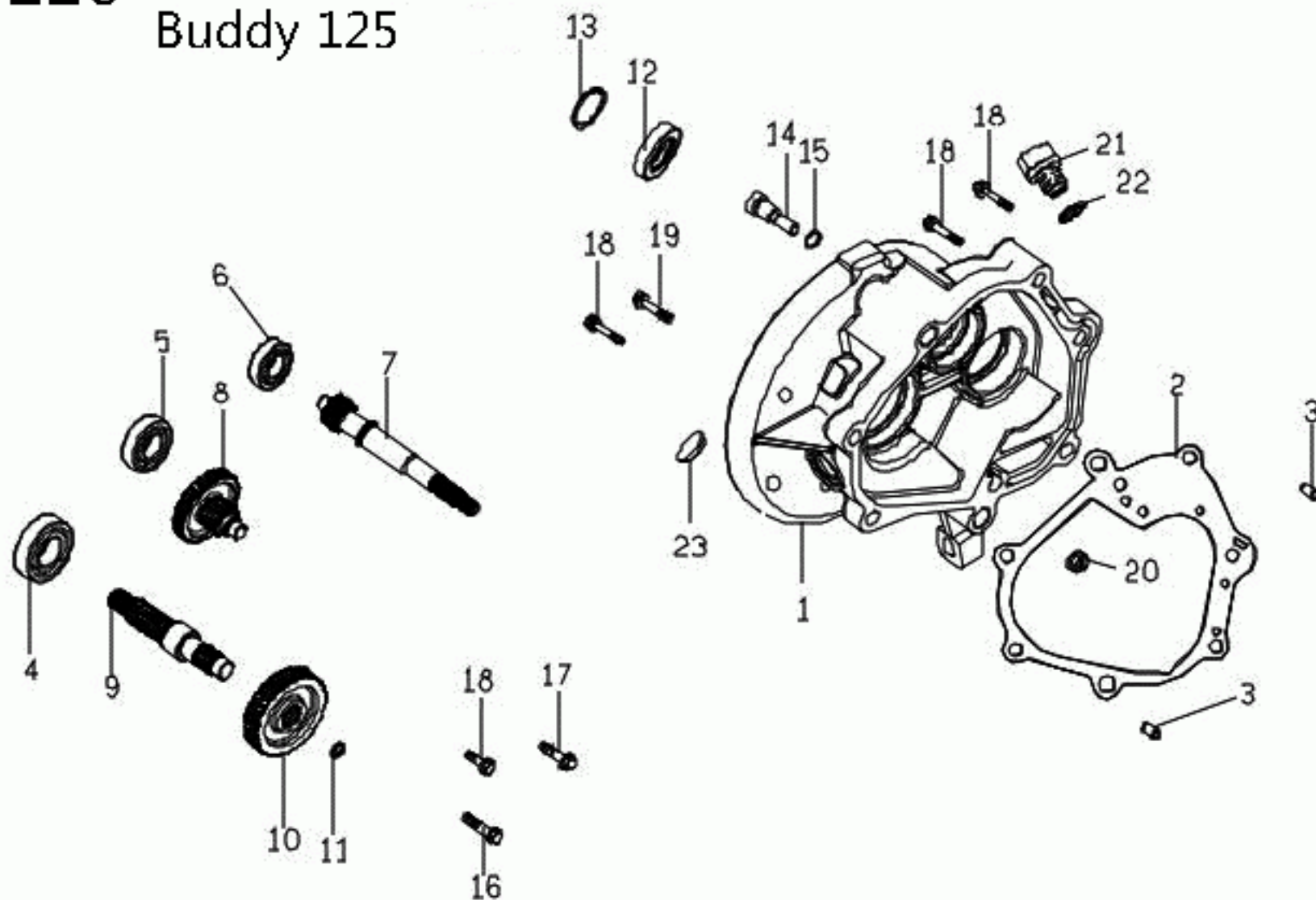


Table - E10 GEARBOX

NO.	PartNo.	Q'TY	PART NAME
1	C2141011000	1	TRANSMISSION COVER
2	C2141021000	1	Trans Cover Gasket
3	93541001401	2	LOCK PIN (10*14)
4	96510630100	1	DEEP GROOVE BALL BEARING
5	96510600200	1	DEEP GROOVE BALL BEARING
6	96530622200	1	BALL BEARING, DOUBLE SEALED
7	C11411000001	1	DRIVING SHAFT
8	C11412000001	1	IDLE GEAR COMP
9	C11414120000	1	AXLE DRIVE
10	C11413110000	1	FINAL GEAR
11	92172200000	1	C TYPE RETAINING RING
12	95572742702	1	Oil Sealtc TC Type
13	92165000000	1	RETAINING RING C TYPE
14	C2407431000	1	SHOE PIVOT, REAR BK
15	95510800000	1	O RING(7.5*1.5)
16	90190805001	1	HEXAGON FLANGE BOLT (M8*50L)
17	90190804501	1	HEXAGON FLANGE BOLT (M8*45L)
18	90190804003	4	HEXAGON FLANGE BOLT (M8*40L)
19	90190802600	1	HEXAGON FLANGE BOLT (M8*26L)
20	92060800002	1	HEXAGON FLANGE NUT
21	P1062150000	1	OIL BOLT
22	95511300001	1	O RING

# E11 Air Cleaner Comp. Buddy 125

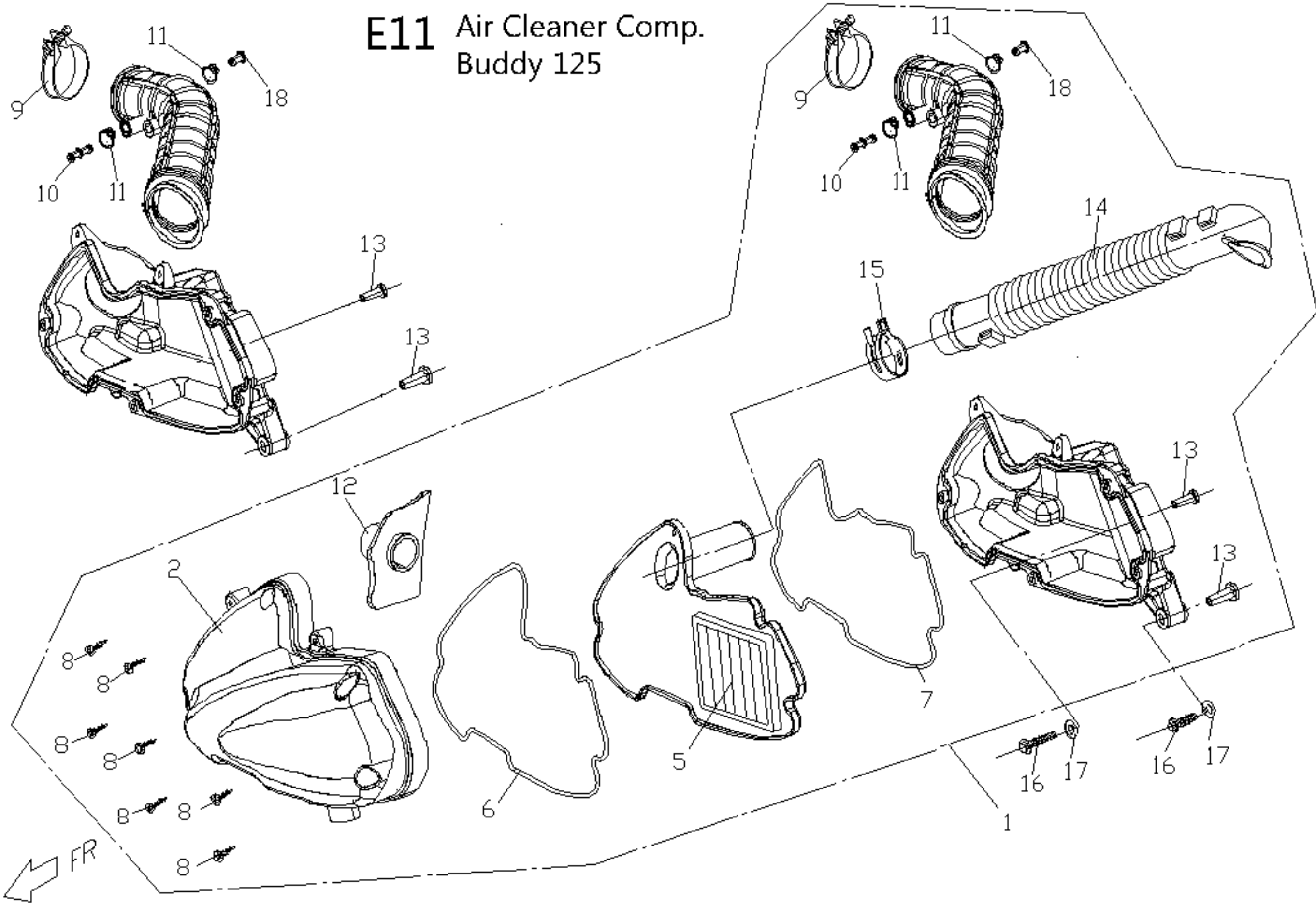


Table - E11 AIR CLEANER

NO.	PartNo.	Q'TY	PART NAME
1	P62620000002	1	AIR CLEANER COMP.
2	P6262020000	1	COVER, AIR CLEANER
5	P6262030000	1	AIR FILTER
6	P6262040000	1	PACKING, AIR FILTER
7	P6262230000	1	PACKING, AIR CLEANER
8	90150502000	7	CR TRUSS HD MACHINE SCREW
9	P62621100001	1	CLAP
10	P6262360000	2	PIPE,TWO WAY
11	92201200000	2	HOSE CLAMP
12	P6262050000	1	CONNECTION PIPE
13	P6262060000	2	BUSH
14	P6262270000	1	INLET PIPE
15	92214000000	1	HOSE CLIP
16	90190603500	2	HEXAGON FLANGE BOLT(M6*35L)
17	92140600018	2	WASHER
18	P6262370000	1	PLUG,JOINT TUBE



# E12 Muffler Buddy 125

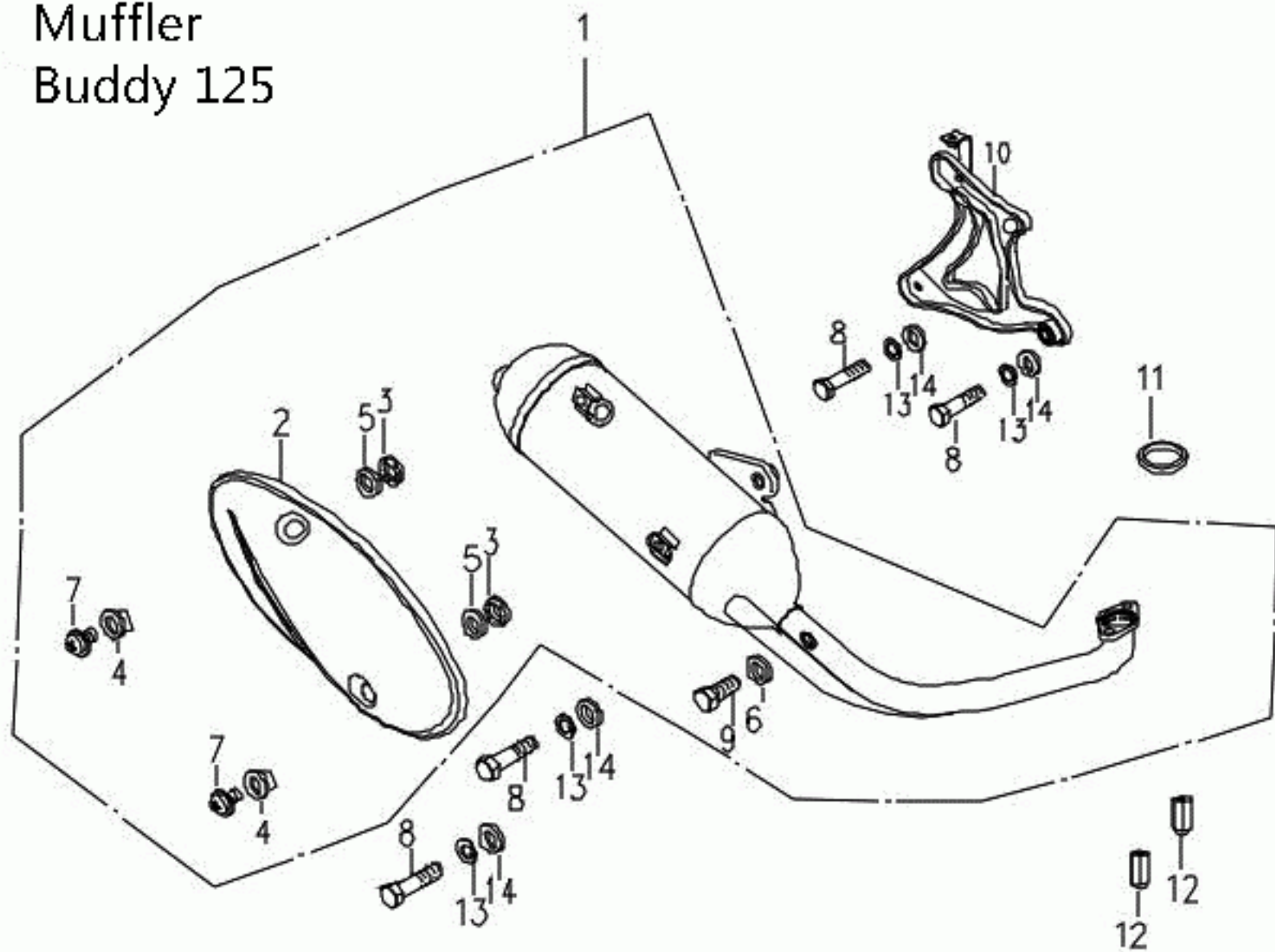


Table - E12 MUFFLER

NO.	PartNo.	Q'TY	PART NAME
1	C22810010001	1	MUFFLER ASSY.
2	C2281010000	1	HEAT PROTECTOR
3	92140600015	2	WASHER(TEMPERATURE-ENDURING)
4	C128A010000	2	CIRCLET
5	C128A020000	2	CIRCLET INNER SPACER
6	92140800001	1	WASHER (8*1.6T)
7	90050601200	2	CR ROUND HD MACHINE SCREW (M6*12L)
8	90190804003	4	HEXAGON FLANGE BOLT (M8*40L)
9	90020801000	1	HEXAGON HEAD BOLT
10	C2281042000	1	BRACKET,MUFFER
11	E9281020000	1	PACKING,MUFFLER
12	92050800000	2	DOMED CAP NUT
13	92110800000	4	SPRING WASHER(8D*14D*2.2T)
14	92140600018	4	PLAIN WASHER

# E13 Rear Wheel Buddy 125

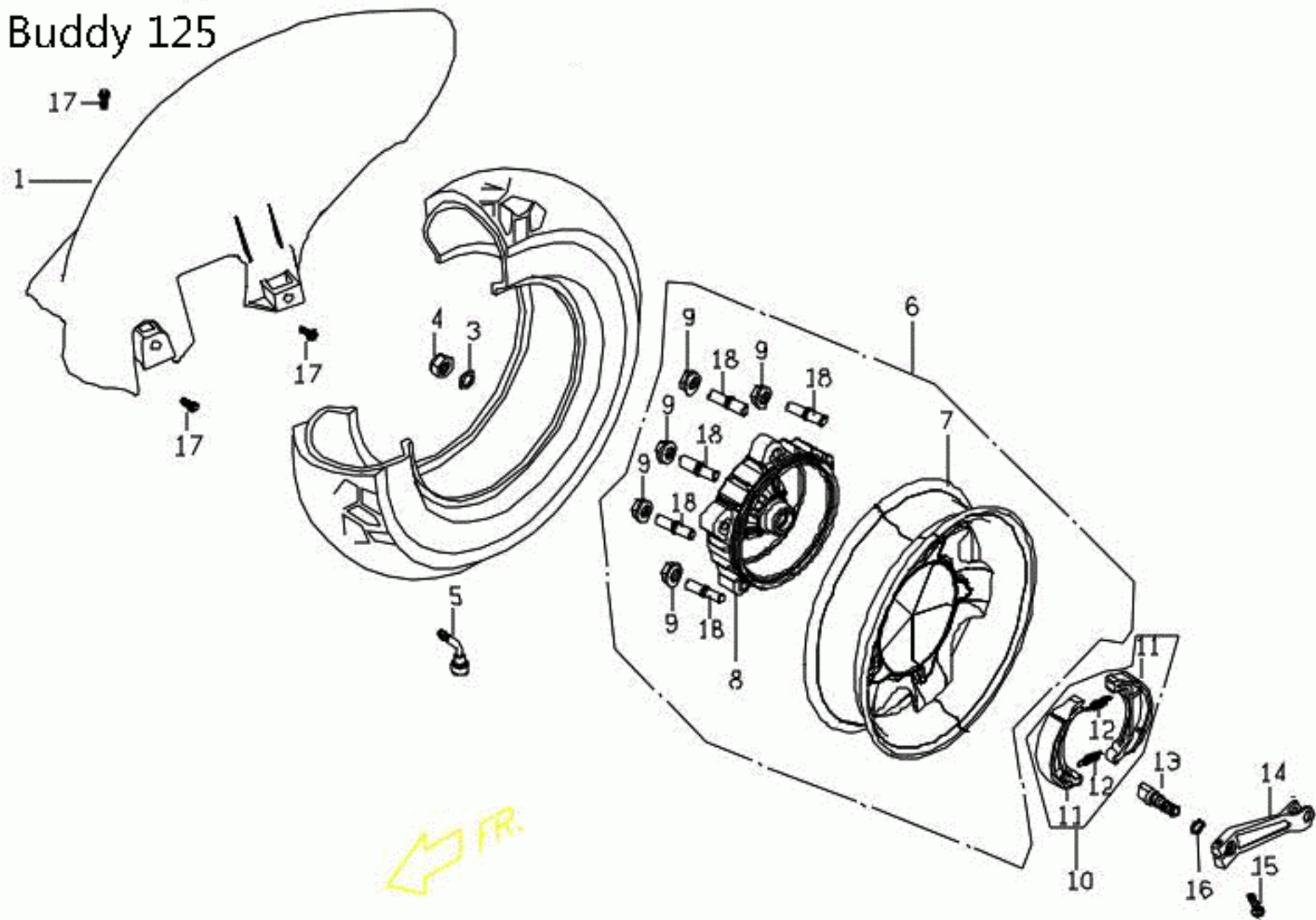


Table - E13 REAR WHEEL

NO.	PartNo.	Q'TY	PART NAME
1	C2634000650	1	REAR FENDER, black
3	92141700001	1	WASHER
4	92011600000	1	U TYPE SPRING NUT
5	P140B330000	1	VALVE
6	C24071051E00	1	REAR WHEEL RIM, blackjack red
6	C24071051S00	1	REAR WHEEL RIM, pamplona
6	C24071043K00	1	REAR WHEEL RIM, italia
6	C24071054300	1	REAR WHEEL RIM , st.tropez
6	C24071066D00	1	REAR WHEEL RIM, pyscho black
6	C24071067700	1	REAR WHEEL RIM COMP, silver
8	C2407131770	1	HUB REAR (SILVER), silver
9	92060800002	5	HEXAGON FLANGE NUT
10	C24074010000	1	BRAKE SHOE ASSY.
12	C2407410000	2	SPRING, BRAKE SHOE
13	C2407443000	1	CAM, REAR BRAKE
14	C24074700001	1	ARM, REAR BRAKE
15	90020602203	1	HEXAGON BOLT
16	95511200000	1	O RING
17	90190602002	3	HEXAGON FLANGE BOLT (M6*20L)
18	90170803601	5	STUD BOLT

# F1 Cover, Upper & Lower, Handlebar, Headlight Buddy 125

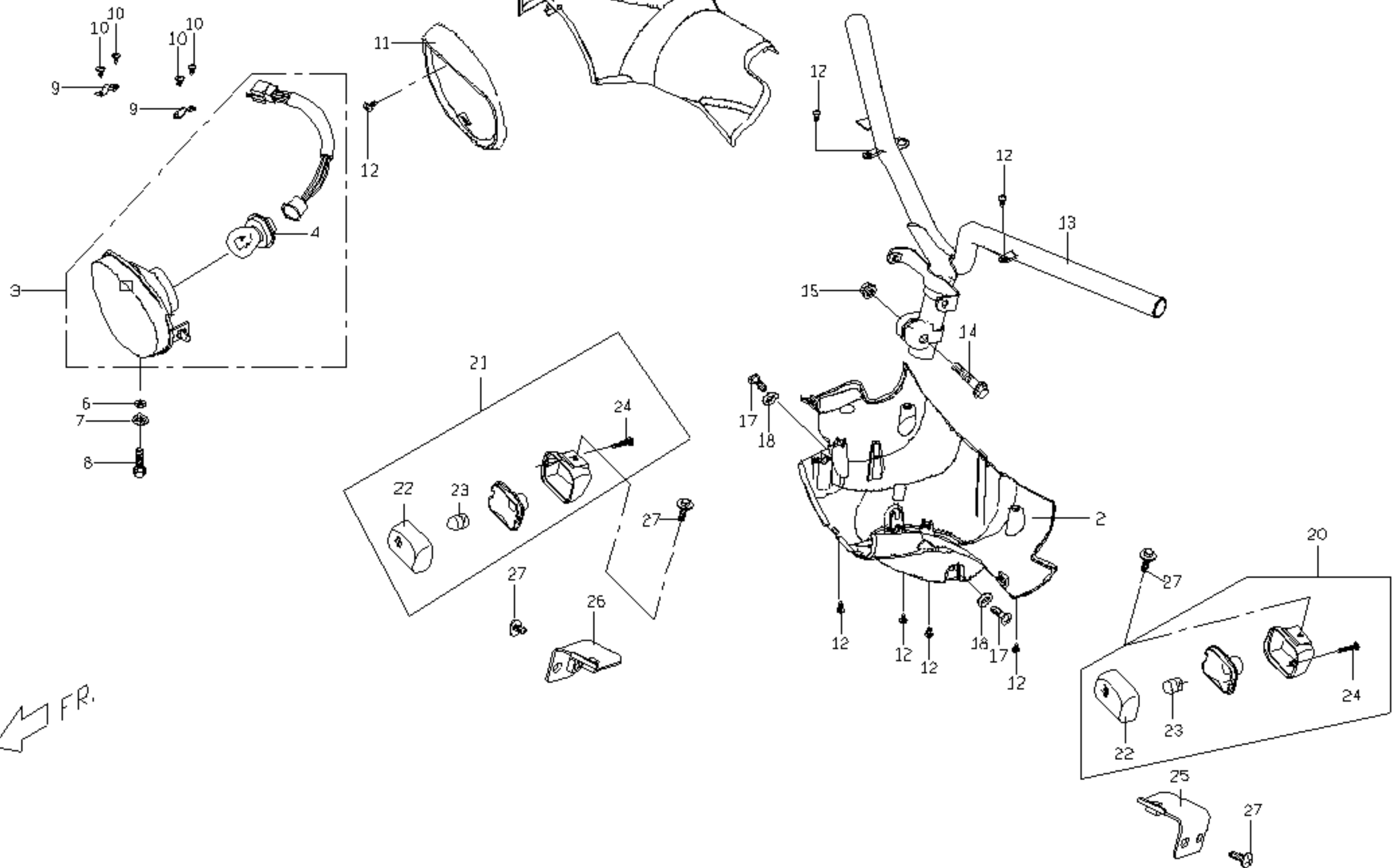


Table- F1 COVER UPPER/LOWER HANDLEBAR, HEADLIGHT

NO.	PartNo.	Q'TY	PART NAME	NO.	PartNo.	Q'TY	PART NAME
1	SEE PAGE 1	1	UPPER HANDLE COVER see Diagram Page 1	13	P5612001600	1	HANDLE BAR COMP
2	SEE PAGE 1	1	LOWER HANDLE COVER see Diagram Page 1	14	90191004600	1	HEXAGON FLANGE BOLT(M10*46L)
3	P66610000002	1	HEADLIGHT COMP. 2007 AND NEWER	15	92061000001	1	HEXAGON LOCK NUT (M10*1.25P)
3	P56610000002	1	HEADLIGHT COMP. SMALLER 2006 ONLY	16	P5613020000	1	SPEEDOMETER SIDE COVER CHROME
4	98151235351	1	HEADLAMP BULB (35/35W) 2007 and Newer	16	P56130206801	1	SPEEDOMETER SIDE COVER Psycho Black
4	98111235301	1	HEADLAMP BULB (35/30W) 2006 only	17	90040601403	2	C-R PAN HD. MACHINE SCREW
6	92140500014	1	PLAIN WASHER	18	92140600005	2	WASHER (6.4D*13D*1T)
7	92130600000	1	TEETH TYPE WASHER	20	C166C0110004	1	FR SIGNAL LAMP, LH
8	E1613010000	1	REGULATING SCREW	21	C166D0110004	1	FR SIGNAL LAMP, RH
9	P5706010000	2	FRONT LIGHT PLATE	22	C166G0200006	1	LH SIGNAL LAMP COVER-CLEAR
10	90130301000	4	CR ROUND HD TAPPING SCREW(M3*1	22	C166H0200006	1	RH SIGNAL LAMP COVER - CLEAR
11	P66130300002	1	BEZEL CHROME LARGE 2007 AND NEWER	23	98211221990	2	BULB, yellow, 21w
11	P66130306803	1	BEZEL BLACK LARGE 2007 AND NEWER	24	C166G0500005	2	SCREW
11	P5613030000	1	BEZEL CHROME SMALLER 2006 ONLY	27	90200501600	2	SCREW WITH WASHER
12	90110401200	7	CR PAN HD TAPPING SC				

# F2 Speedometer Buddy 125

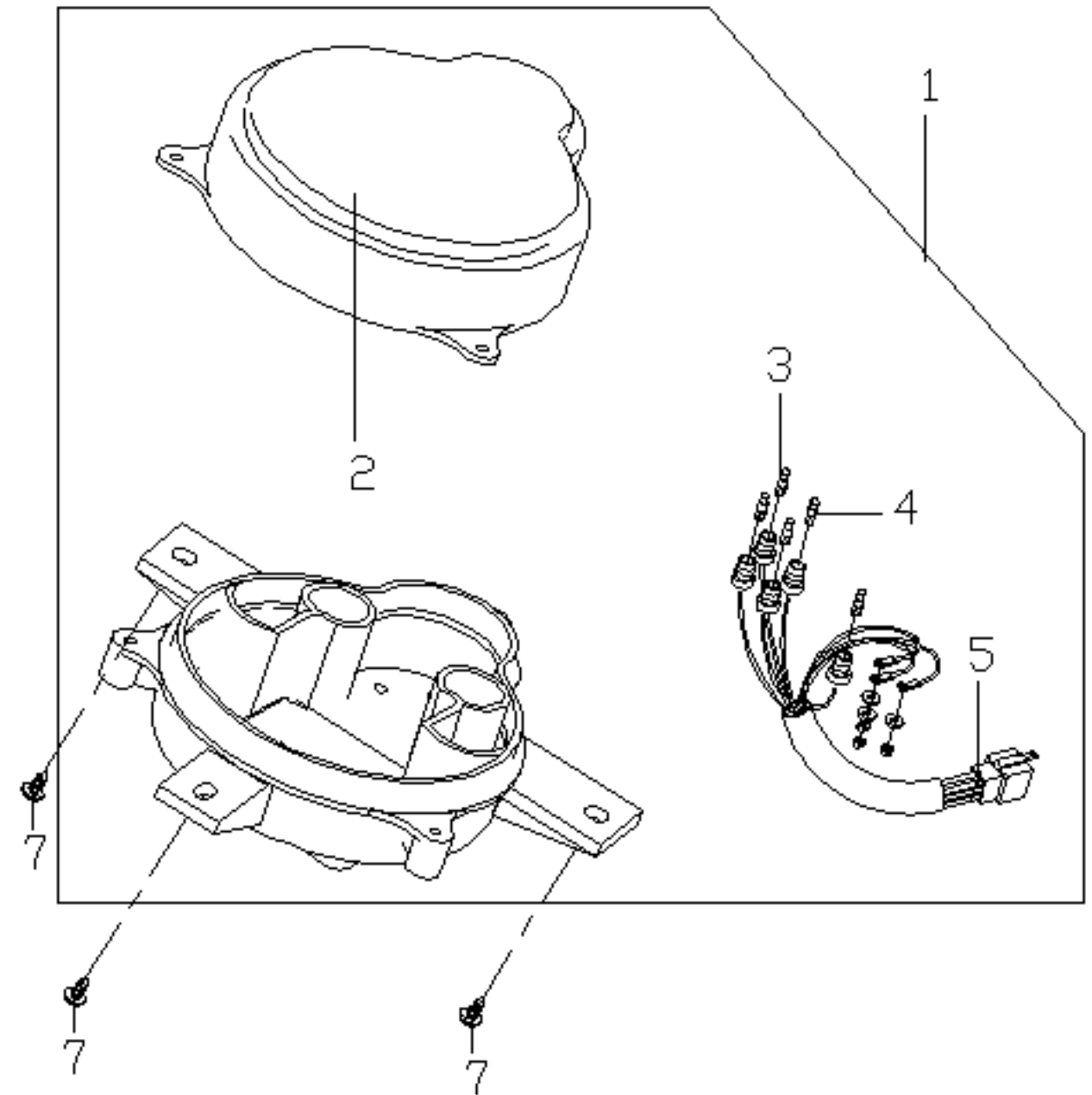
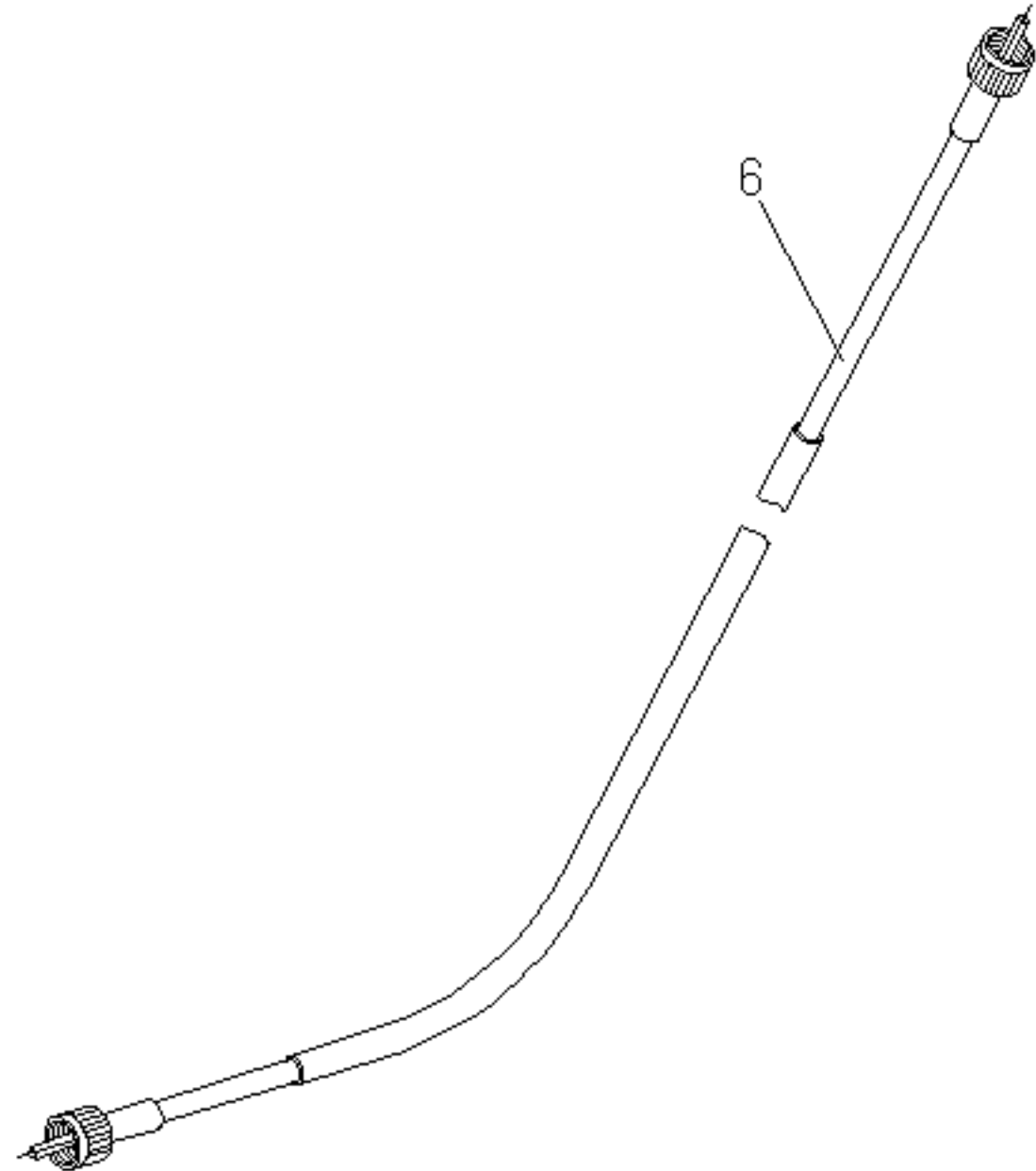


Table- F2 SPEEDOMETER

NO.	PartNo.	Q'TY	PART NAME
1	P65610000007	1	SPEEDMETER ASSY , pa125/150
2	P556A010000	1	SPEEDMETER COVER
3	P556A030000	1	BULB (14v/32)
4	P556A020000	5	BULB ( 12/1.7w)
5	P556A040000	1	WIRE UNIT
6	P65440010005	1	SPEEDOMETER CABLE ASSY , 2007 and newer
6	P6544002000	1	SPEEDOMETER CABLE ASSY 2006 only
7	90110401200	3	CR PAN HD TAPPING SC



# F3 Cable, Switch, Back Mirrors Buddy 125

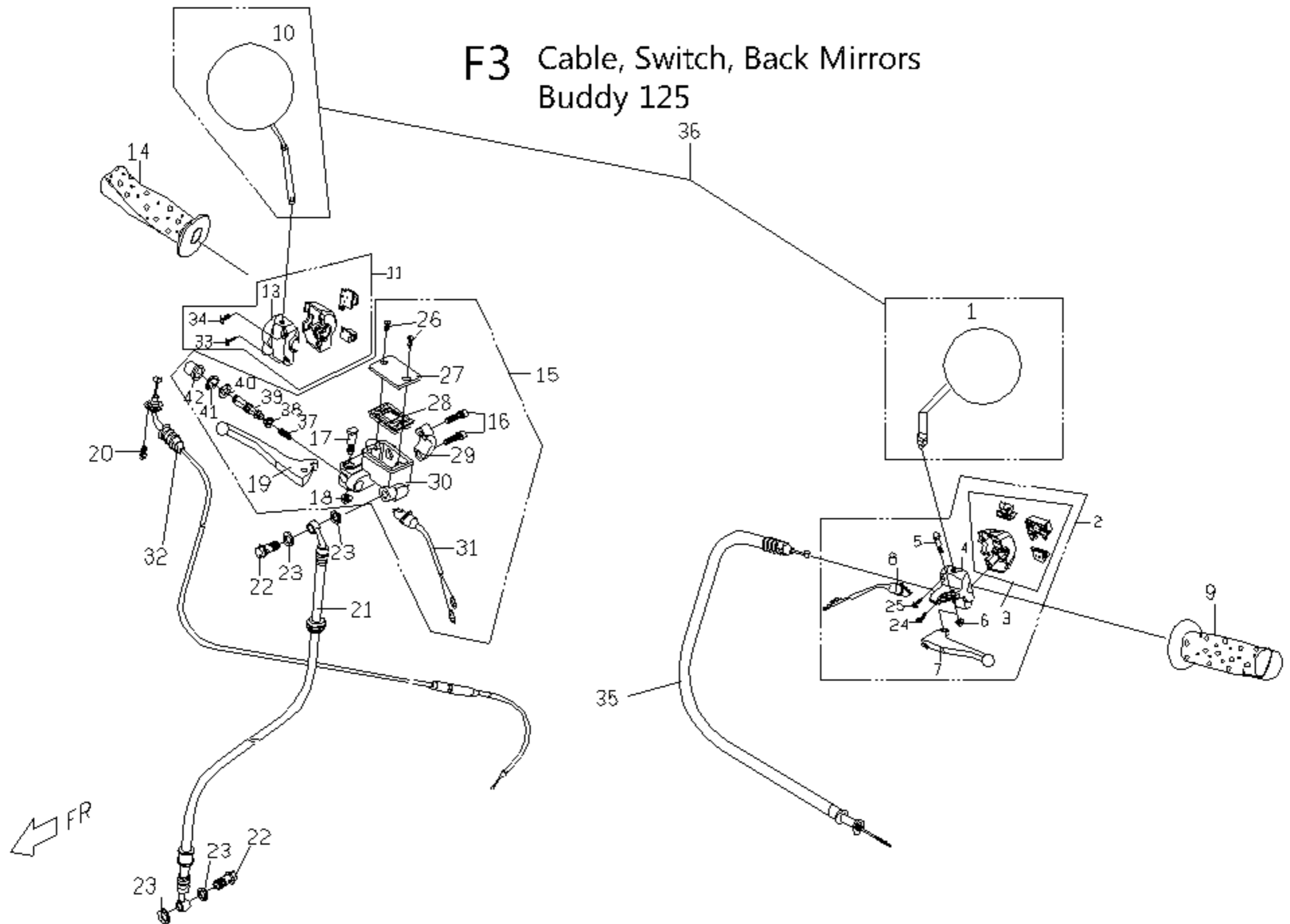


Table - F3 CABLE, SWITCH, BACK MIRRORS

NO.	PartNo.	Q'TY	PART NAME	NO.	PartNo.	Q'TY	PART NAME
2	P1546003000	1	LEFT LEVER HOLDER ASSY	20	90050501200	1	BOLT (M5*12L)
3	P154F410000	1	CASE, SWITCH UNDER 2	21	P6403600000	1	FRT BRAKE FLUID HOSE COMP.
4	P154F020000	1	CASE,SWITCH UNDER 1	22	P14038110000	2	JOINT BOLT,BRAKE HOSE
5	P154F030000	1	BOLT	23	92141000018	4	PLAIN WASHER
6	P154F040000	1	LOCK NUT	24	P154F390000	1	SCREW,PAN HEAD
7	P1543303000	1	LEVER,LH BRAKE	25	P154F400000	1	SCREW,PAN HEAD
8	C2548220000	1	RR BRK SWITCH COMP	26	P140C130000	2	SCREW
9	P05410010000	1	GRIP ASSY,LH, black	27	P140C120000	1	CAP,RESERVOIR
9	P05410010001	1	GRIP ASSY,LH, white	28	P140C110000	1	DIAPHRAGM,RESERVOIR
9	P05410010002	1	GRIP ASSY,LH, brown	29	P140C240000	1	BRACKET,MASTER CYLINDER
9	P05410010003	1	GRIP ASSY,LH, italian gray	31	M25480300000	1	STOP LIGHT SWITCH
9	P05410010004	1	GRIP ASSY,LH, pamplona	32	P6544602000	1	CABLE ASSY,THROT
11	P15480000001	1	HANDLE SWITCH ASSY,RH 2006 only	33	P154H180000	1	C-R ROUND HD SCREW
11	P65480000000	1	HANDLE SWITCH ASSY,RH 2007 > W/HAZZARD	34	P154H170000	1	C-R ROUND HD SCREW
13	P154H020000	1	CASE,SWITCH UNDER 1	35	P6544401000	1	CABLE ASSY, RR BRAKE
14	P05420010000	1	GRIP ASSY,RH, black	36	P56160000003	1	REAR MIRROR LH/RH chrome short stem 2006
14	P05420010001	1	GRIP ASSY,RH, white	36	P56160000003	1	REAR MIRROR LH/RH chrome long stem 2007>
14	P05420010002	1	GRIP ASSY,RH, brown	36	P56160000004	1	REAR MIRROR LH/RH BLACK long stem psycho
14	P05420010003	1	GRIP ASSY,RH, Italia, gray	37	P140C050000	1	SPRING
14	P05420010004	1	GRIP ASSY,RH, pamplona	38	P140C030000	1	CUP LEATHER
15	P5403000000	1	FRT BREAKE MASTER CYLINDER	39	P140C020000	1	PISTON
16	P140C250000	2	INNER BOLT	40	P140C040000	1	OIL SEAL
17	P140C220000	1	BOLT	41	P140C070000	1	CLIP
18	P140C230000	1	FLANGE NUT	42	P140C080000	1	DUSTPROOF COVER
19	P140C191000	1	LEVER,RH BRAKE				

# F4 Front Fork, Front Fender Buddy 125

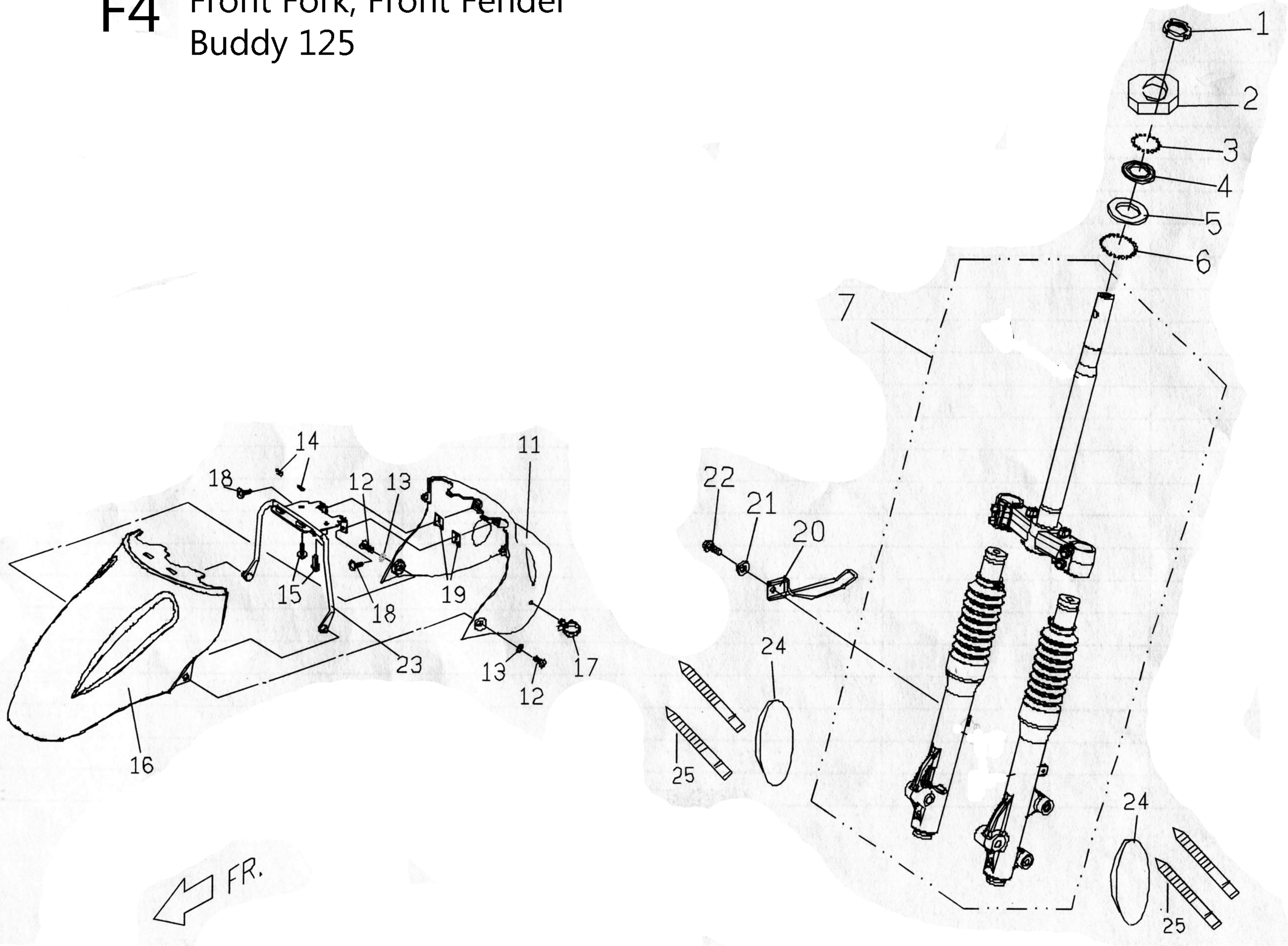


Table - F4 FRONT FORK, FRONT FENDER

NO.	PartNo.	Q'TY	PART NAME
1	P1443040000	1	STEERING SHAFT LOCK NUT
2	P6444051000	1	UPPER RING NUT
3	96630340500	1	UPPER BEARING (3/16")
4	P1443020000	1	UPPER BEARING RACE
5	C1443011000	1	LOWER BEARING RACE
6	99010600000	1	LOWER BEARING (1/4")
7	P64430020000	1	FORK ASSY.FRT
11	SEE PAGE 1	1	FR. FENDER,RR. SECTION,see Diagram Page 1
12	90150501601	2	CR TRUSS HD TAPPING SCREW(M5*16L)
13	90040601403	2	C-R PAN HD. MACHINE SCREW
14	C2632020000	2	RUBBER RING
15	90190601200	2	HEXAGON FLANGE BOLT(M6*1.0P*12L)
16	SEE PAGE 1	1	FRT FENDER,FRT SECTION, see Diagram Page 1
17	92362328000	1	CABLE CLIP
18	92140600017	2	WASHER
19	92370500003	2	U TYPE SPRING NUT
20	C2544020000	1	SPEEDOMETER CABLE CLIP COMP. (R)
21	90190601200	1	HEXAGON FLANGE BOLT(M6*1.0P*12L)
21	90190601207	1	HEXAGON FLANGE BOLT(M6*1.0P*12L)
22	92110600000	1	SPRING WASHER(6D*1.8T)
23	C2632010000	1	FRONT FENDER FIXING PLATE
24	P26690000001	2	REFLECTOR,FR
25	P1701030000	4	CABLE TIE

# F5 Front Wheel, Front Caliper (Disk) Buddy 125

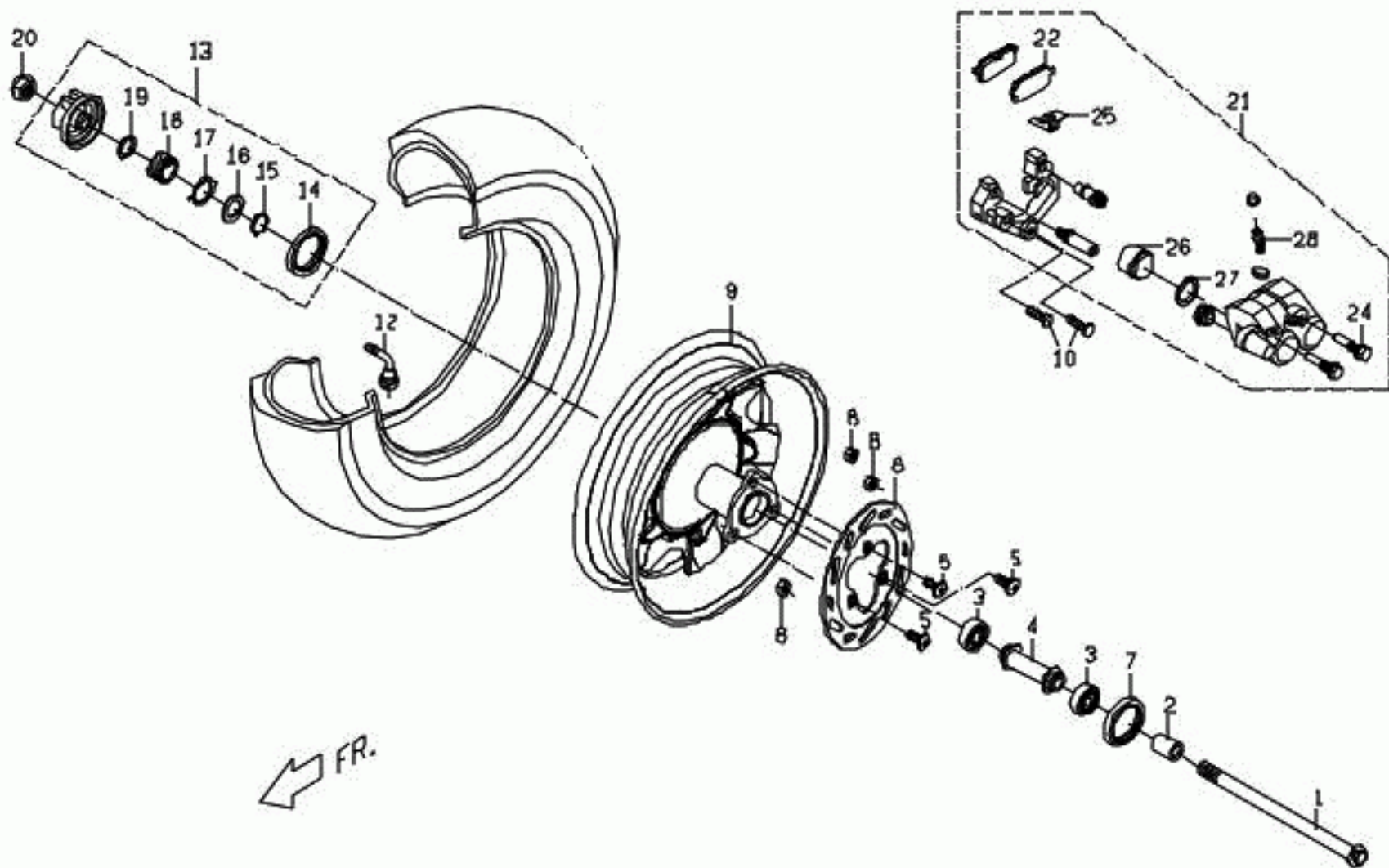


Table - F5 FRONT WHEEL, FRONT CALIPER

NO.	PartNo.	Q'TY	PART NAME	NO.	PartNo.	Q'TY	PART NAME
1	C2402500000	1	AXLE FRT WHEEL	14	95574052600	1	OIL SEAL
2	P14010100001	1	SPACER	15	92171800000	1	C CLIP
3	96520620100	2	ONE SHIELD BALL BEARING	16	92141900001	1	PLAIN WASHER
4	P5402400000	1	SPACER ASSY.	17	P1566050000	1	PAD
5	E1403512000	3	SCREW, FR BRAKE DISK	18	P0566040000	1	SPEEDMETER GEAR
6	C240C5020002	1	BRAKE DISC,FR(190MM)	19	92141900002	1	PLAIN WASHER
7	95572235700	1	OIL SEAL, TC TYPE	20	92061200001	1	LOCK NUT
8	C140C160000	1	EXHAUSED NUT	21	C2403303000	1	CALIPER, FR BRAKE
9	C24011061E00	1	FR WHEEL ASSY, blackjack red	22	C240C2300000	1	brakes-thin comp
9	C24011061S00	1	FR WHEEL ASSY, pamplona	24	C140C141000	2	SIDE PIN
9	C24011064300	1	FR WHEEL ASSY, st. tropez	25	C140C330000	1	YOKE SPRING
9	C24011053K00	1	FR WHEEL ASSY, italia	26	C140C040000	1	WATERPROOF RING
9	C24011077700	1	FR WHEEL ASSY, silver	27	C140C030000	1	OIL SEAL RING
9	C24011076D00	1	FR WHEEL ASSY, psycho black	28	C140C060000	1	EXHAUSTED SCREW
10	90190804002	2	HEXAGON FLANGE BOLT (M8*40L)				
12	P140B330000	1	VALVE				
13	C2566002000	1	METER GEAR ASSY				



Table - F6 WINDSHIELD , INNER FRONT COVER

NO.	PartNo.	Q'TY	PART NAME	NO.	PartNo.	Q'TY	PART NAME
1	SEE PAGE 1	1	WINDSHIELD SEE PAGE ONE DIAGRAM	18	SEE PAGE 1	1	COVER, FRT LOWER SEE PAGE 1 DIAGRAM
2	SEE PAGE 1	1	FRONT INNER COVER, UPPER	19	90040601601	2	C-R MACHINE HD,TAPPING SCREW M6*16L
3	SEE PAGE 1	1	FRONT INNER COVER LOWER	20	SEE PAGE 1	1	FRONT PANEL INNER COVER see Diagram P 1
4	P5701211650	1	FRONT HOOK BLACK	21	E1701040000	4	SCRIVET COMP
4	P57012113L0	1	FRONT HOOK ITALIA	22	90130501400	6	C-R MACHINE HD,TAPPING SCREW (M5*14L)
4	P57012112N0	1	FRONT HOOK SUNSET	23	92140600005	2	PLAIN WASHER
4	P57012111U00	1	FRONT HOOK PAMPLONA				
4	P57012111Q0	1	FRONT HOOK LIGHT PINK				
4	P57012114400	1	FRONT HOOK ST. TROPEZ				
4	P57012112Q0	1	FRONT HOOK BROWN				
4	P57012111R0	1	FRONT HOOK POTENT PINK				
4	P57012112800	1	FRONT HOOK MOCHA				
4	P57012113V00	1	FRONT HOOK OXFORD GREEN				
5	90040601601	1	C-R MACHINE HD, TAPPING SCREW (M6*16L)				
6	SEE PAGE 1	1	IN COVER SEE PAGE 1 FOR COLORS				
7	P566C0100003	1	POSITION LAMP, LH (WHITE)				
8	90110401200	16	C-R RECESS PAN HD. TAPPING SCREW				
9	P566C0200003	1	POSITION LAMP COVER, LH (WHITE)				
11	98211210990	2	BULB SIGNAL (ORANGE) 12V/10W				
12	P566C050000	4	C-R RECESS PAN HD TAPPING SCREW				
13	C2621010000	1	CHROME WINDSHIELD PANEL				
13	C26210106800	1	WINDSHIELD PANEL , psycho black				
14	P566D0100003	1	POSITION LAMP , RH (WHITE)				
15	P566D0200003	1	POSITION LAMP COVER, RH (WHITE)				
17	E1621010000	1	SCREW WITH WASHER				





Table - F7 STEP FLOOR, BATTERY

NO.	PartNo.	Q'TY	PART NAME
1	SEE PAGE 1	1	STEP FLOOR, DIAGRAM PAGE 1
2	90200602500	4	SCREW WITH WASHER
3	C2583000000	1	BATTERY
4	C2624031650	1	BATTERY COVER ALL
5	90130501401	2	C-R RECESS PAN HD. TAPPING
6	SEE PAGE 1	1	MAT FLOOR SEE DIAGRAM PAGE 1
7	SEE PAGE 1	1	LH SIDE COVER SEE DIAGRAM PAGE 1
8	90150501602	10	C-R RECESS PAN HD. TAPPING
9	92370500003	9	U TYPE SPRING NUT
10	SEE PAGE 1	1	RH SIDE COVER SEE DIAGRAM PAGE 1
11	92140600018	4	WASHER
12	90040602200	4	CR PAN HD MACHINE SCREW(M6*22L)
13	C26240217701	1	STEP PLATE,LH REAR, silver
13	C26240216801	1	STEP PLATE,LH REAR, BLACK JACK/PSYCHO
14	C262D0217701	1	STEP PLATE,RH REAR, silver
14	C262D0216801	1	STEP PLATE,RH REAR, BLACK JACK/PSYCHO

# F8 Body Cover, Body Cover Frt, RR Luggage Buddy 125

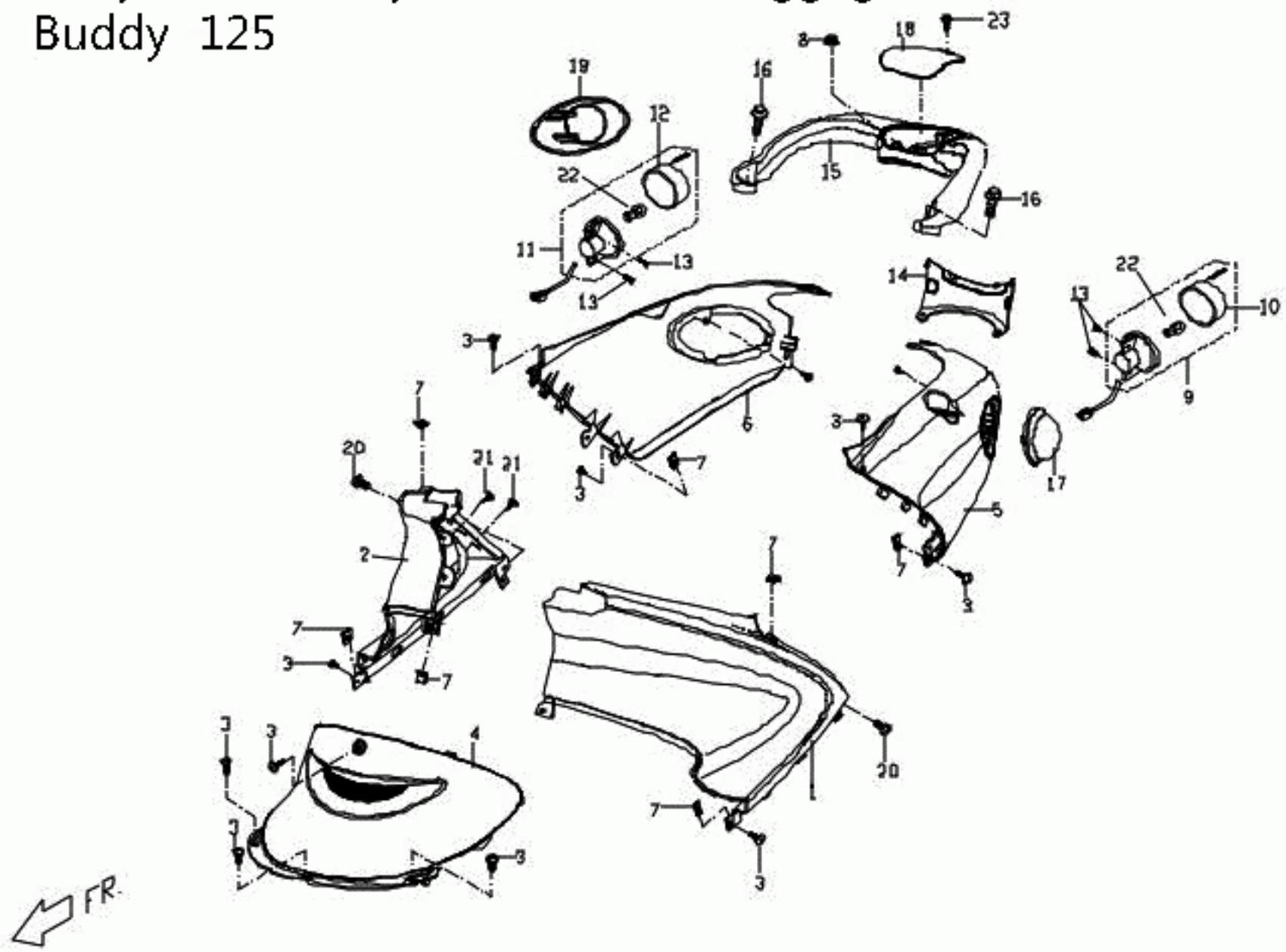


Table - F8 BODY COVER, BODY COVER FRT, LUGGAGE

NO.	Part No.	QTY	PART NAME	NO.	Part No.	QTY	PART NAME
1	SEE PAGE 1	1	BODY COVER, LH FRONT, see Diagram page 1	22	98211210990	2	BULB, SIGNAL ( ORANGE) 12V/10W
2	SEE PAGE 1	1	BODY COVER, RH FRONT, see Diagram page 1	23	90110401200	1	CR PAN HD TAPPING SC
3	90150501602	11	C-R RECESS PAN HD. TAPPING				
4	SEE PAGE 1	1	MIDDLE COVER, see Diagram page 1				
5	SEE PAGE 1	1	LH BODY COVER, see Diagram page 1				
6	SEE PAGE 1	1	RH BODY COVER, see Diagram page 1				
7	92370500003	7	U TYPE SPRING NUT				
8	92040800000	1	HEXAGON FLANGE NUT				
9	P566G0110002	1	LH/REAR SIGNAL LAMP COMP.				
10	P566G0200002	1	SIGNAL LAMP COVER LH REAR				
11	P566H0110002	1	RH/REAR SIGNAL LAMP COMP.				
12	P566H0200002	1	SIGNAL LAMP COVER RH REAR				
13	90110401200	4	CR PAN HD TAPPING SC				
14	SEE PAGE 1	1	REAR COVER, SEE DIAGRAM PAGE 1				
15	SEE PAGE 1	1	RR LUGGAGE BRACKET,see Diagram P1				
16	90190802000	2	HEXAGON FLANGE BOLT(M8*20L)				
17	P66256010000	1	older				
17	P66256000002	1	LH REAR TS,INNER COVER chrome 2011>				
17	P66256006803	1	LH REAR TS,INNER COVER psycho black				
18	P6676010000	1	RR LUGGAGE BRACKET COVER BLACK				
19	P6625F010000	1	older				
19	P662E6000002	1	RH REAR TS ,INNER COVER chrome 2011>				
19	P662E6006803	1	RH REAR TS, INNER COVER psycho black				
20	90040601403	2	C-R PAN HD. MACHINE SCREW				
21	90130501401	2	C-R RECESS PAN HD. TAPPING				

# F9 Seat, Luggage Compartment, Tail Light Buddy 125

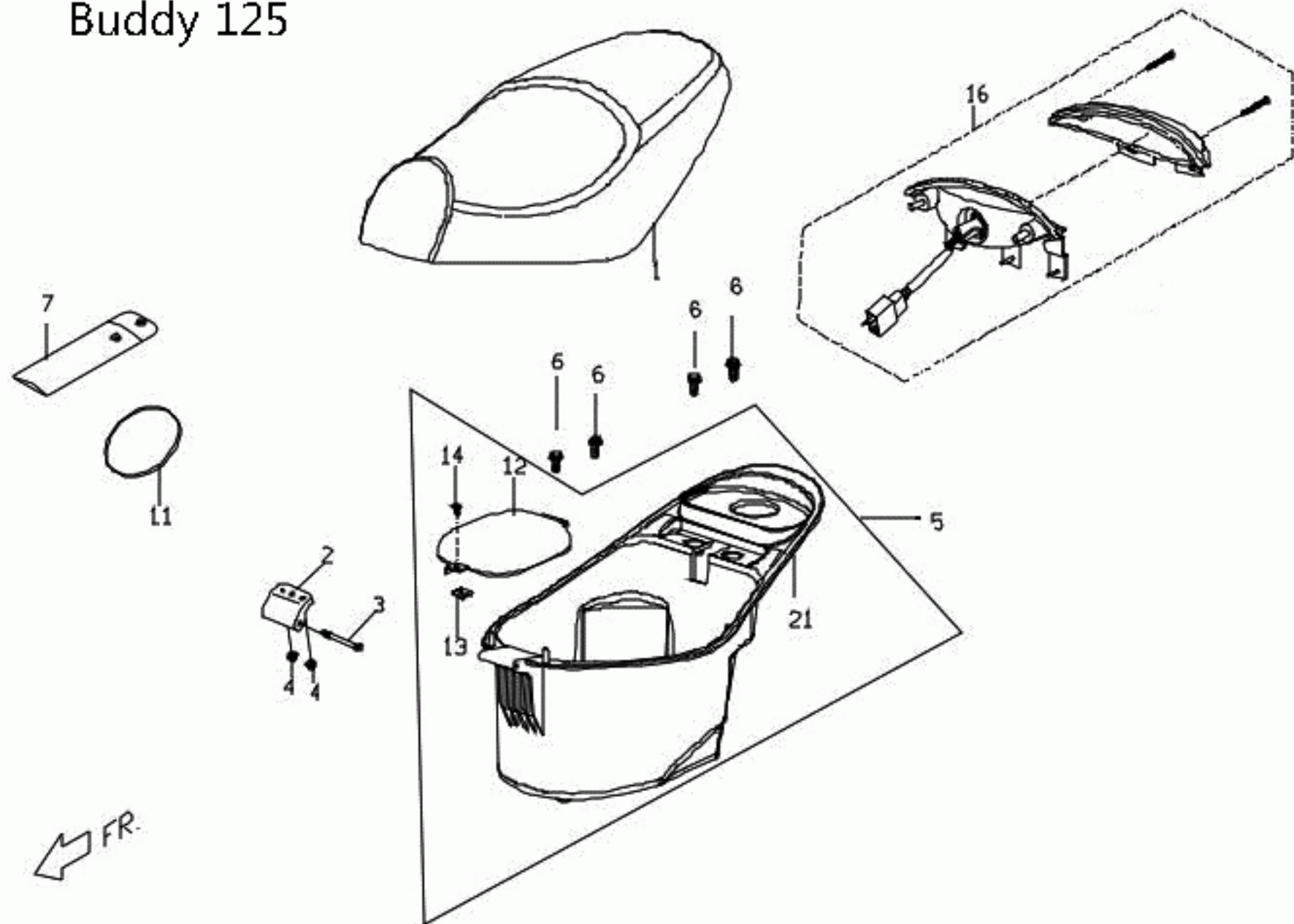


Table - F9 SEAT, LUGGAGE, TAIL LIGHT

NO.	PartNo.	Q'TY	PART NAME
1	P66710000007	1	SEAT ASSY, black
1	P66710000008	1	SEAT ASSY, white
1	P66710000009	1	SEAT ASSY, brown
1	P6671000000C	1	SEAT ASSY, Italia
1	P6671000000D	1	SEAT ASSY, St. tropez
1	P6671000000E	1	SEAT ASSY., pamplona
1	P66710010009	1	SEAT ASSY, brown
2	C1681060000	1	BRACKET, LUGGAGE
3	C1681070000	1	SPECIAL BOLT
4	92040600000	2	HEXAGON FLANGE NUT (M6*1.0P)
6	90190601502	4	HEXAGON FLANGE BOLT(M6*15L)
7	P6701030000	1	TOOL SET CLIP
7	P6706540000	1	TOOL SET
11	C1701180000	1	TOOL KIT
12	P668A020000	1	BOTTOM COVER,RACK
13	92370500003	1	U TYPE SPRING NUT
14	90150501601	1	CR TRUSS HD TAPPING SCREW(M5*16L)
15	P6701030000	1	TOOL SET CLIP
16	P56660000002	1	REAR TAIL LAMP ASSY
16	P66660000000	1	REAR TAIL LAMP ASSY ( LED )
18	98311218050	1	BULB(21/5W) (NON LED ONLY)
19	P566F010000	1	TAIL LAMP COVER (NON LED ONLY)
20	P566F050000	2	CR ROUND MACHINE SCREW
21	P66810040000	1	LUGGAGE COMPARTMENT



Table - F10 LICENSE PLATE, REFLECTOR LICENSE LAMP

NO.	PartNo.	Q'TY	PART NAME	NO.	PartNo.	Q'TY	PART NAME
1	SEE PAGE 1	1	LICENSE PLATE, see Diagram Page 1	18	90110401200	1	C-R PAN HEAD TAPPING SCREW M4*12L
2	92370500003	2	U TYPE SPRING NUT	19	P6636010650	1	LICENSE PLATE LOWER PART BLACK
3	90150501601	2	CR TRUSS HD TAPPING SCREW(M5*16L)	19	P66360104400	1	LICENSE PLATE LOWER PART St. Tropez
4	90130501401	1	C-R RECESS PAN HD. TAPPING	19	P66360103V00	1	LICENSE PLATE LOWER PART Oxford Grn
5	90040601403	1	C-R PAN HD. MACHINE SCREW	19	P66360103L0	1	LICENSE PLATE LOWER PART Italia
6	92140600018	1	WASHER	19	P66360102Q0	1	LICENSE PLATE LOWER PART Brown
7	E1701040000	2	SPIRAL RIVET	19	P66360102N0	1	LICENSE PLATE LOWER PART Sunset
8	P56690010000	1	REFLECTOR REAR ASSY	19	P66360102800	1	LICENSE PLATE LOWER PART Mocha
9	92020500000	1	HEXAGON NUT (M5*0.8P)	19	P66360101U00	1	LICENSE PLATE LOWER PART Pamplona
10	92140500014	1	PLAIN WASHER	19	P66360101R0	1	LICENSE PLATE LOWER PART Potent Pink
11	P5666900000	1	LICENCE LAMP ASSY.	20	90110401200	3	C-R RECESS PAN HD TAP SCREW M4*12L
12	P566F910000	1	LEN, LICENCE LIGHT	21	C16690000001	2	SIDE REFLECTOR , RED
13	P566F920000	1	SOCKET	22	P5636010000	1	BRACKET, SIDE REFLECTOR
14	P566F930000	1	PACKING	23	92040600000	2	HEXAGON FLANGE BOLT M6*1.0P
15	P566F940000	1	TAPPING SCREW	24	P5708010000	2	PIVOT
16	P566F950000	1	WIRE SET				
17	P566F960000	1	BULB.LICENCE LIGHT 12V-5W				





Table - F11 FUEL TANK

NO.	PartNo.	Q'TY	PART NAME
1	P65215000003	1	FUEL TANK IRON 2008 AND NEWER
1	P65215000001	1	FUEL TANK PLASTIC 2006-07 ONLY
2	E1521302000	1	TANK COVER, PLASTIC 2006-07 ONLY
2	E152A3000001	1	TANK COVER IRON TANK 2008 AND NEWER
3	90190601502	3	HEXAGON FLANGE BOLT(M6*15L)
4	P6521700000	1	GAUGE COMP,FUEL 2006-07
4	P65217000001	1	GAUGE COMP,FUEL 2008 AND NEWER
5	90180501600	4	HEXAGON FLANGE BOLT
6	C152A090000	1	FUELLESS PACKING
7	P6523000000	1	AUTO COCK ASSY
8	92220800001	2	BOARD CLAMP
9	P65212000003	1	FUEL FILTER ASSY COMPLETE
10	P65212100001	1	FUEL FILTER COMP.
11	P652A0200003	1	OIL HOSE (A)
12	P652A0300003	1	OIL HOSE (B),
13	92220900001	2	HOSE CLAMP
14	P6706011000	1	BRACKET, FUEL FILTER
15	P65260300001	1	RUBBER HOSE, pa50
16	92220700000	2	BOARD CLAMP

# F12 Frame Buddy 125

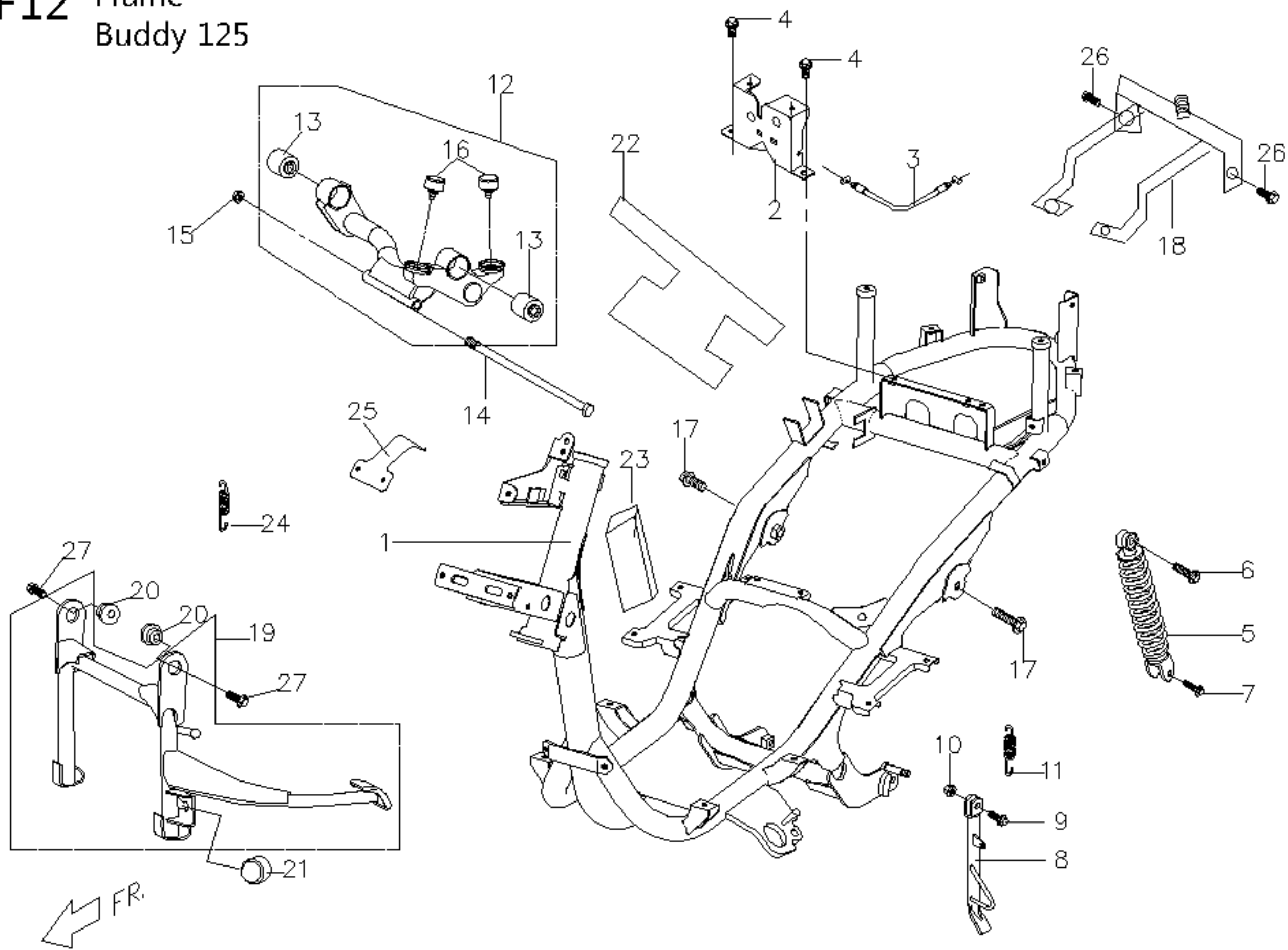
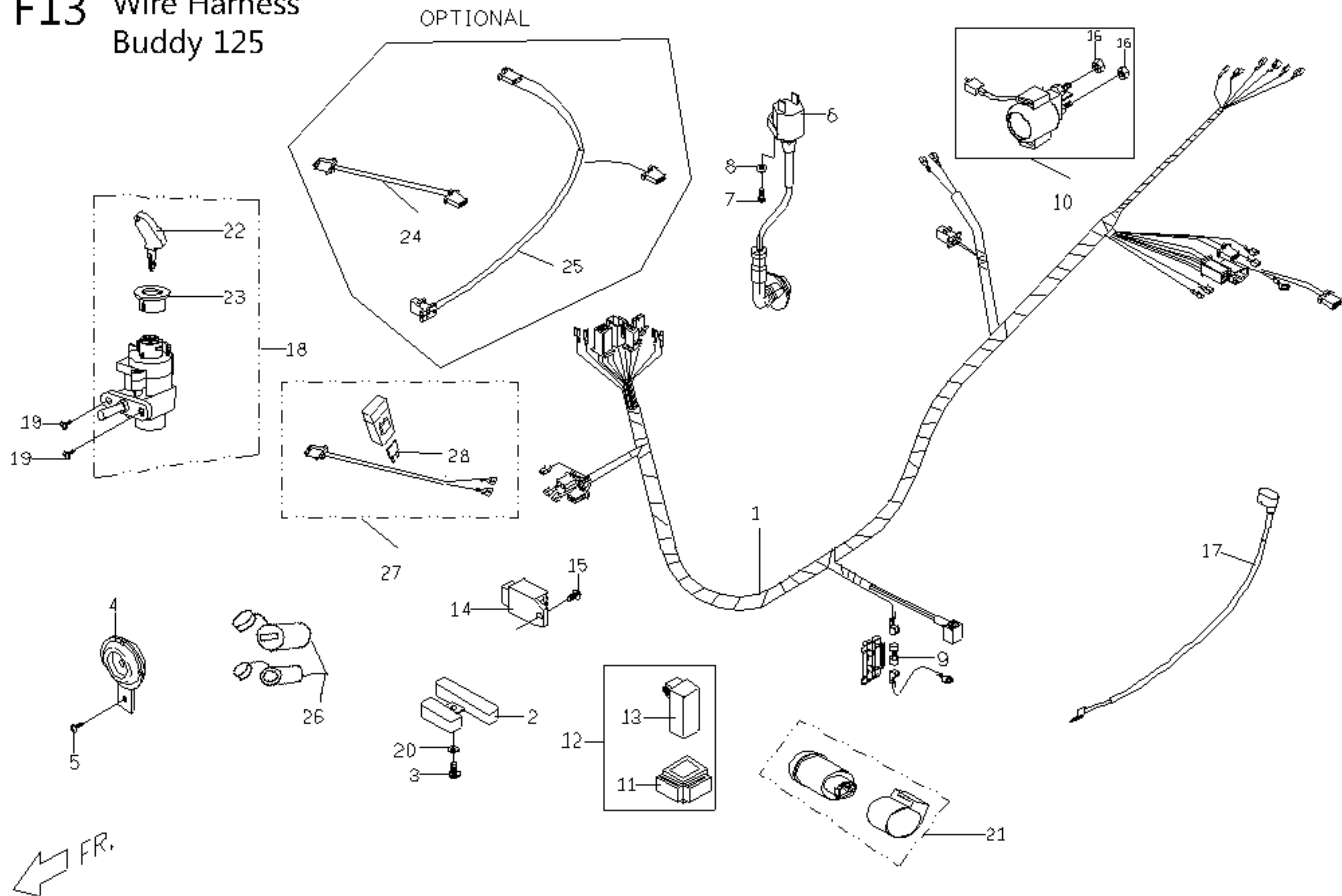


Table - F12 FRAME BUDDY 125

NO.	PartNo.	Q'TY	PART NAME	NO.	PartNo.	Q'TY	PART NAME
1	P64210026001	1	FRAME ASSY, Buddy 125	15	92061000005	1	HEXAGON FLANGE NUT (M10*1.25P)
2	P5671300000	1	SEAT LOCK ASSY	16	C1486050000	2	RUBBER DAMPING
3	P5671121000	1	SEATLOCK LEVER ROPE	17	90191005500	2	HEXAGON FLANGE BOLT (M10*55L)
4	90190601502	2	HEXAGON FLANGE BOLT(M6*15L)	18	P64215016000	1	BRACKET, PLASTIC FUEL TANK 2006/07 ONLY
5	P64810021000	1	SUSPENSION ASSY.REAR	18	P64215016001	1	BRACKET, IRON FUEL TANK 2008 and newer
6	90191004000	1	HEXAGON FLANGE BOLT (M10*1.25P*40L)	19	P6461002600	1	CENTER STAND COMP
7	90190803201	1	HEXAGON FLANGE BOLT	20	C2461010000	2	BUSH
8	P6462000600	1	SIDE STAND COMP.	21	C1701050000	1	RUBBER DAMPING, CENTER STAND
9	90191002800	2	HEXAGON FLANGE BOLT	22	P6701020000	1	WATERPROOF CUSHION
10	92061000000	1	U TYPE FLANGE NUT(M10*1.25P)	23	P64260200005	1	VEHICLE ID NO PLATE
11	C2462120000	1	SPRING,SIDE STAND	24	E1461121000	1	SPRING
12	90191002800	2	HEXAGON FLANGE BOLT (M10*1.25P)	25	P6421411600	1	WINDSHIELD BRACKET
13	C1486003000	1	ENGINE HANGER COMP	26	90190601502	2	HEXAGON FLANGE BOLT(M6*15L)
14	C1486010000	2	PACKING, CUSHION				
15	90191018000	1	HEXANGON FLANGE BOLT				

# F13 Wire Harness Buddy 125



FR.

Table - 13 WIRING HARNESS

NO.	PartNo.	QTY	PART NAME	NO.	PartNo.	QTY	PART NAME
1	P65816010005	1	WIRE HARNESS, BUD125 2006 ONLY	16	92030600004	2	HEXAGEON NUT
1	P65816000007	1	WIRE HARNESS, BUD125 2007 AND NEWER	17	P6583020000	1	BATTERY (+) LINE
2	P65866000001	1	RESISTOR(A)	18	P5552002000	1	IGNITION SWITCH COMP.
3	90190601200	1	HEXAGON FLANGE BOLT(M6*1.0P*12L)	19	90040601601	1	CR PAN HD MACHINE SCREW(M6*16L
3	90190601207	1	HEXAGON FLANGE BOLT(M6*1.0P*12L)	20	92130600000	1	TEETH TYPE WASHER
4	P5583600000	1	HORN	21	C15860000000	1	FLASHER RELAY ASSY
5	90190801200	1	HEXAGON FLANGE BOLT (M8*12L)	22	E555B010000	1	KEY
6	C1584601000	1	COIL COMP	23	P555B020000	1	FACE PLATE
7	90070502000	1	CR TRUSS HD MACHINE SCREW(M5*20L)	24	P2581660000	1	CHARGING
8	92110500000	1	SPRING LOCK WASHER	25	M25816600000	1	FRONT TURN SIGNAL,CONNECT WIRE
9	C158A020000	1	FUSE, 10a	26	B5583040000	1	CELL CHARGING ADAPTOR <b>ROUND OUTLET</b>
10	C1581001000	1	STARTER RELAY ASSY	26	P65831000000	1	CELL CHARGING ADAPTOR <b>USB</b>
11	C1701200000	1	RUBBER BRACKET	27	P25816300000	1	CONNECTING WIRE,SOCKET
12	C1582001000	1	CDI COMP	28	98701201000	1	FUSE, 1A
14	C1584000000	1	REGULATOR COMP				
15	90190601502	2	HEXAGON FLANGE BOLT(M6*15L)				

# Buddy 125 F15

**ATTENTION**

- PLEASE WEAR HELMET WHILE RIDING
- FOR SECURITY PLEASE DON'T TAMPER ANY PART
- PLEASE PERFORM THE CHECK AND MAINTENANCE ACCORDING TO PROVISION
- LOADING OF LUGGAGE BOX CAN'T BE MORE THAN 10KG
- DON'T TOUCH EXHAUST PIPE WHILE WARM ENGINE
- BEFORE RIDING PLEASE READ USER MANUAL IN DETAIL

1

**限用無鉛汽油**  
**UNLEADED GAS ONLY**

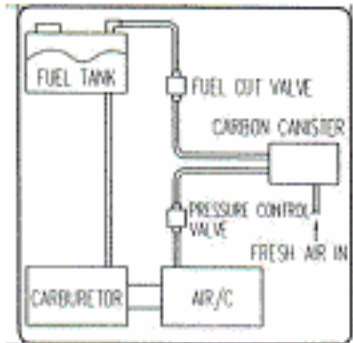
2

In order to let your scooter run smoothly, be sure to change the engine oil at 300 Km for a new scooter and each 1000Km.

3

**GEAR BOX OIL QUANTITY**  
PLEASE USE ASSIGNED OIL:SAE #140  
TOTAL QUANTITY:0.110ℓ  
DISPLACEMENT QUANTITY:0.090ℓ

4



5

**Buddy**  
**125**

6



7

THIS VEHICLE IS A LIMITED SPEED MOTORCYCLE AND USE OF THIS VEHICLE MAY BE RESTRICTED BY PROVINCIAL AUTHORITIES TO CERTAIN ROADS.  
CE VEHICULE EST UNE MOTOCYCLETTE A VITESSE LIMITEE ET L'UTILISATION DE CE VEHICULE PEUT ETRE RESTREINTE A CERTAINES ROUTES PAR LES GOUVERNEMENTS PROVINCIAUX.

8

**UNLEADED GAS ONLY**

9



16



11

**WARNING**

- This socket is for temporary charging purpose only. Maxima output current is 1A.
- Use this socket under Key-On position only when engine is running. do not use the socket when the engine is NOT running.
- Use the fuse with the same specification as the factory setting. (10F1A).
- Fuse is located at the back of the socket.

12

Table - F15 EMBLEMS , STICKER, LABELS

NO.	PartNo.	Q'TY	PART NAME
1	C16030010001	1	NOTICE ADHSIVE LABEL
2	C1603020000	1	STICKER, FUEL TYPE
3	C16030100001	1	OIL CHANGE STICKER
4	C16031400001	1	NOTICE STICKER, GEAR OIL
5	P6603010000	1	E.E.C MARK STICKER,
6	P66013900000	3	BUDDY 125 STICKER
7	P66014000000	1	GENUINE LOGO STICKER
8	C1603070000	1	TIRE INFORMATION PAPER,
9	P1603040000	1	FUEL TYPE LABEL
11	P66014700000	3	BUDDY-ITALIAN STICKER, BUDDY 125
12	P26031100000	1	WARNING LABEL,SOCKET
16	P66015700000	1	"I" STICKER





**Table - F16 EEC SYSTEM**

NO.	PartNo.	Q'TY	PART NAME
1	P6524001000	1	E.E.C SYSTEM
2	P6524010000	1	ACTIVE CARBON CAN
3	P6524010000	1	FUEL CUTTING VALVE
4	C152D060000	3	PLATE CLIP
5	P6524031000	1	RUBBER HOSE
6	C2524050000	1	RUBBER HOSE
7	C2524060000	1	RUBBER HOSE
8	P552D080000	3	CLIP
9	C152D050000	1	CLIP
10	P552D070000	1	CLIP
11	P6524120000	1	PRESS VALVE
12	C2524060000	1	RUBBER HOSE
13	90040601000	1	CR TRUSS HD MACHINE SCREW(M6*10L)
14	92140600018	1	WASHER