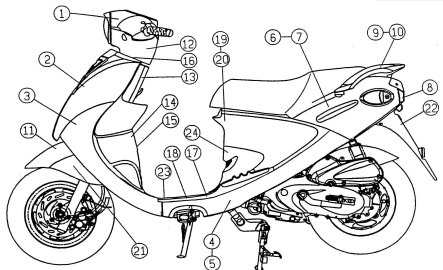


Buddy 150 Table of Contents

Table	System	Page
Page 1	Body Panels	2
E1	Crankcase	3
E2	Left Hand Side Cover	5
E3	Cylinder Head	7
E4	Cylinder , Piston, Crankshaft	9
E5	Right Crankcase Cover	11
E6	Caburetor	13
E7	Driven Pulley	15
E8	Fan Cover, Generator	17
E9	Starting Motor, Oil Pump	19
E10	Gear, Transmission	21
E11	Air Cleaner	23
E12	Muffler	25
E13	Rear Wheel	27
E14	Oil Cooler	29

Table	System	Page
F1	Headlight , Steering Handle	31
F2	Speedometer	33
F3	Cable, Switches	35
F4	Fork, Front Fender	37
F5	Front Wheel , Caliper	39
F6	Windshield, Inner Cover	41
F7	Step Floor , Side Cover, Battery	43
F8	Body Cover, Luggage Bracket	45
F9	Seat, Under Seat, Tail Light	47
F10	License Plate, Reflectors, Light	49
F11	Fuel Tank	51
F12	Frame	53
F13	Wire Harnes, Electrical, Ignition	55
F15	Stickers, Logos, Emblems	57
F16	E.E.C. System	59



Updated 21.Mar.13

BUDDY 50/125/150/170

Name/Color	2007> ITALIA	2007> RED	2008> LIGHT BLUE	2008> SANITROPEZ	2008> PAMPOLNA	2006> BLACK	2008> ORANGE	2008> SEA FOAM	2008> WHITE	2009 BLACK JACK	2012 PSYCHO	2012NEW PINK	BUDDY 170 OXFORD GREEN	BUDDY 170 MOCHA / CREME	BUDDY 170 ZEPHYR SILVER	2006/ 2007 CREAM	2006/2009 PINK	Lt.	2006/2007 SUNSET
1. HANDLE UPPER COVER	P66130013K02	P66130011J02	P66130014Z02	P66130014302	P66130011502	P6613000690	P66130012T02	P66130013N02	P66130017I02	P66130016802	P66130016802	P66130011A02	P66130013U02	P66130012402	P66130017J02	P66130012M02	P66130011Q02		P66130012N02
1A. 2006 HANDLE UPPER COVER SMALL	NA	NA	NA	NA	NA	P5613000690	NA	NA	NA	NA	NA	NA	NA	NA	NA	NA	NA		P56130002N0
2. WINDSHIELD	P66210003K0	P66210011U0	P66210014Z00	P66210014300	P66210011500	P6621000690	P66210012T00	P66210013N00	P66210027I00	P66210026800	P66210026800	P66210031A00	P66210033U00	P66210032400	P66210037J00	P66210002M0	P66210001Q0		P66210002N0
3. FRT LOWER COVER	P56260133J0	P56260131U0	P56260134Z00	P56260137U00	P56260132U00	P5626013690	P56260132T00	P56260133N00	P56260137I00	P56260136800	P56260136800	P56260131A00	P56260133U00	P56260132500	P56260137J00	P56260132M0	P56260131Q0		P56260132N0
4. LH SIDE COVER	P66263003J0	P66263001U0	P66263004Z00	P66263007U00	P66263002U00	P6626300690	P66263002T00	P66263003N00	P66263007I00	P66263006800	P66263006800	P66263001A00	P66263003U00	P66263002500	P66263007J00	P66263002M0	P66263001Q0		P66263002N0
5. RH SIDE COVER	P66265003J0	P66265001U0	P66265004Z00	P66265007U00	P66265002U00	P6626500690	P66265002T00	P66265003N00	P66265007I00	P66265006800	P66265006800	P66265001A00	P66265003U00	P66265002500	P66265007J00	P66265002M0	P66265001Q0		P66265002N0
6. LH BODY COVER	P66253013K0	P66253011U0	P66253014Z00	P66253014300	P66253011500	P6625301690	P66253012T00	P66253013N00	P66253017I00	P66253016800	P66253016800	P66253011A00	P66253013U00	P66253012400	P66253017J00	P66253012M0	P66253011Q0		P66253012N0
7. RH BODY COVER	P66255013K0	P66255011U0	P66255014Z00	P66255014300	P66255011500	P6625501690	P66255012T00	P66255013N00	P66255017I00	P66255016800	P66255016800	P66255011A00	P66255013U00	P66255012400	P66255017J00	P66255012M0	P66255011Q0		P66255012N0
8. REAR COVER	P66257003K0	P66257001U0	P66257004Z00	P66257004300	P66257001500	P6625700690	P66257002T00	P66257003N00	P66257007I00	P66257006800	P66257006800	P66257011A00	P66257013U00	P66257012400	P66257017J00	P66257002M0	P66257001Q0		P66257002N0
9. RR LUGGAGE BRACKET	P66760007J0	P66760007J0	P66760007J0	P66760007J0	P66760007J0	P66760006800	P66760007J0	P66760007J0	P66760027I00	P66760006800	P66760006800	P66760007J0	P66760007J0	P66760007J0	P66760007J0	P66760002M0	P66760007J0		P66760007J0
10. RR LUGGAGE COVER	P6676010000	P6676010000	P6676010000	P6676010000	P6676010000	P6676010000	P6676010000	P6676010000	P6676010000	P6676010000	P6676010000	P6676010000	P6676010000	P6676010000	P6676010000	P6676010000	P6676010000		P6676010000
11.1. FRT SECTION,FRT FENDER(50cc only)	P56320003J0	P56320001U0	P56320004Z00	P56320007U00	P56320002U00	P5632000690	P56320002T00	P56320003N00	P56320007I00	NA	NA	P66320001A00	NA	NA	NA	P56320002M0	P66320001Q0		P66320002N0
11.2. FRT SECTION,FRT FENDER(125/150/170)	P66320003J0	P66320001U0	P66320004Z00	P66320007U00	P66320002U00	P6632000690	P66320002T00	P66320003N00	P66320007I00	P66320006800	P66320006800	P66320001A00	P66320003U00	P66320002500	P66320007J00	P66320002M0	P66320001Q0		P66320002N0

PA50/100/125/170-PP

12. HANDLE LOWER COVER	P66140013L02	P66140016502	P66140016502	P66140024402	P66140021U02	P66140016502	P66140016502	P66140016502	P66140016502	P66140016502	P66140016502	P66140016502	P66140043V02	P66140042802	P66140016502	P66140016502	P66140011R02		P66140012Q02
12A. 2006 HANDLE LOWER COVER SM	NA	NA	NA	NA	NA	P561D0006500	NA	NA	NA	NA	NA	NA	NA	NA	NA	P561D0006500	P561D0001Q00		P561D0002Q00
13.1 UPPER SECTION,(W/ CHARGING SEAT)	P56230303L01	P56230306500	P56230306500	P56230304401	P56230301U01	P56230306500	P56230306500	P56230306500	P56230306500	P56230306500	P56230306500	P56230306500	P56230313V00	P56230312801	P56230306500	P56230306500	P56230301R00		P56230302Q00
13.2 LOWER SECTION,(W/H MFG PLATE)	P562C0403L00	P562C0406500	P562C0406500	P562C0404400	P562C0401U00	P562C0406500	P562C0406500	P562C0406500	P562C0406500	P562C0406500	P562C0406500	P562C0406500	P562C0413V00	P562C0412800	P562C0406500	P562C0406500	P562C0401R00		P562C0402Q00
15. VIN COVER	P56230103J0	P56230106500	P56230106500	P56230104400	P56230101U00	P56230106500	P56230106500	P56230106500	P56230106500	P56230106500	P56230106500	P56230106500	P56230113V00	P56230112800	P56230106500	P56230106500	NA		P56230102Q00
15.FRT PANEL_INNER COVER	P56230203J0	P56230206500	P56230206500	P56230204400	P56230201U00	P56230206500	P56230206500	P56230206500	P56230206500	P56230206500	P56230206500	P56230206500	P56230213V00	P56230212800	P56230206500	P56230206500	P56230201R00		P56230202Q00
17. STEP FLOOR	P66240013L0	P66240016500	P66240016500	P66240014400	P66240011U00	P66240016500	P66240016500	P66240016500	P66240016500	P66240016500	P66240016500	P66240016500	P66240033V00	P66240032800	P66240016500	P66240016500	P66240011R00		P66240012Q00
18. BATTERY COVER	C2624031650	C2624031650	C2624031650	C2624031650	C2624031650	C2624031650	C2624031650	C2624031650	C2624031650	C2624031650	C2624031650	C2624031650	C2624031650	C2624031650	C2624031650	C2624031650	C2624031650		C2624031650
19.BODY COVER,LH FRT	P662E0103L0	P662E0106500	P662E0106500	P662E0104400	P662E0101U00	P662E0106500	P662E0106500	P662E0106500	P662E0106500	P662E0106500	P662E0106500	P662E0106500	P662E0103V00	P662E0102800	P662E0106500	P662E0106500	P662E0101R00		P662E0102Q00
20. BODY COVER,RH FRT	P662E0203L0	P662E0206500	P662E0206500	P662E0204400	P662E0201U00	P662E0206500	P662E0206500	P662E0206500	P662E0206500	P662E0206500	P662E0206500	P662E0206500	P662E0203V00	P662E0202800	P662E0206500	P662E0206500	P662E0201R00		P662E0202Q00
21.1. RR SECTION, FRT FENDER (50cc only)	P56326003L00	P56326006500	P56326006500	P56326004400	P56326001U00	P56326006500	P56326006500	P56326006500	P56326006500	NA	NA	P56340006501	NA	NA	NA	P56326006500	P56326001R00		P56326002Q00
21.2. RR SECTION, FRT FENDER(125/150/170)	C26326013L0	C26326010000	C26326010000	C26326014400	C26326011U00	C26326010000	C26326010000	C26326010000	C26326010000	C26326010000	C26326010000	C26326010000	C26326023V00	C26326022800	C26326010000	C26326010000	C26326011Q00		C26326012Q00
22. LICENSE PLATE	P56360033L0	P56360036500	P56360036500	P56360034400	P56360031U00	P56360036500	P56360036500	P56360036500	P56360036500	P56360036500	P56360036500	P56360036500	P56360033V00	P56360032800	P56360036500	P56360036500	P56360031R00		P56360032Q00
23. MAT FLOOR	P66245010Q02	P66245010000	P66245010000	P66245010000	P66245010000	P66245010000	P66245010000	P66245010000	P66245010000	P66245010000	P66245010000	P66245010000	P66245010000	P66245010000	P66245010000	P66245010000	P66245010000		P66245010001
24. MIDDLE COVER	P66250103L0	P66250106500	P66250106500	P66250104400	P66250101U00	P66250106500	P66250106500	P66250106500	P66250106500	P66250106500	P66250106500	P66250106500	P66250106500	P66250113V00	P66250106500	P66250106500	P66250101R00		P66250102Q00

Table - E1 CRANKCASE

NO.	PartNo.	Q'TY	PART NAME	NO.	PartNo.	Q'TY	PART NAME
1	C50610000001S	1	CRANKCASE, RH , Buddy 150	20	C506K0100002	1	RH / LH CRANKCASE ASSY
2	E1061020000	1	BUSH, QUAKEPROOF	21	92140800001	1	WASHER (8*1.6T)
3	90190605003	2	HEXANGON FLANGE BOLT	22	90190801200	1	HEXAGON FLANGE BOLT (M8*12L)
4	90170818800	2	STUD BOLT	22	90190801202	1	HEXAGON FLANGE BOLT (M8*12L)
5	G1061070000	1	OIL PLUG	23	90190602700	2	HEXAGON FLANGE BOLT (M6*27L)
6	93540801400	2	LOCK PIN				
7	C5061041000	1	Crankcase Gasket				
8	90170819500	2	STUD BOLT				
9	C2063012720	1	LH SIDE COVER				
10	E1061020000	1	BUSH, QUAKEPROOF				
11	90181201500	1	HEXAGON FLANGE BOLT (M12*15L)				
11	90181201501	1	HEXIGON HEAD BOLT FLANGE				
12	92141200006	1	WASHER				
13	95572032601	1	OIL SEAL TC TYPE(SD20) , 19.8 32 6				
14	96510620407	1	DEEP GROOVE BALL BEARING				
15	96510620200	1	BALL BEARING				
16	96510620301	1	BALL BEARING				
17	95572032600	1	OIL SEAL TC TYPE(SD20) , 20 32 6				
18	P1062020000	1	BUSH, QUAKEPROOF				
19	C1286320000	1	PLATE, 2ND AIR COVER				

E2 Left Side Cover Buddy 150

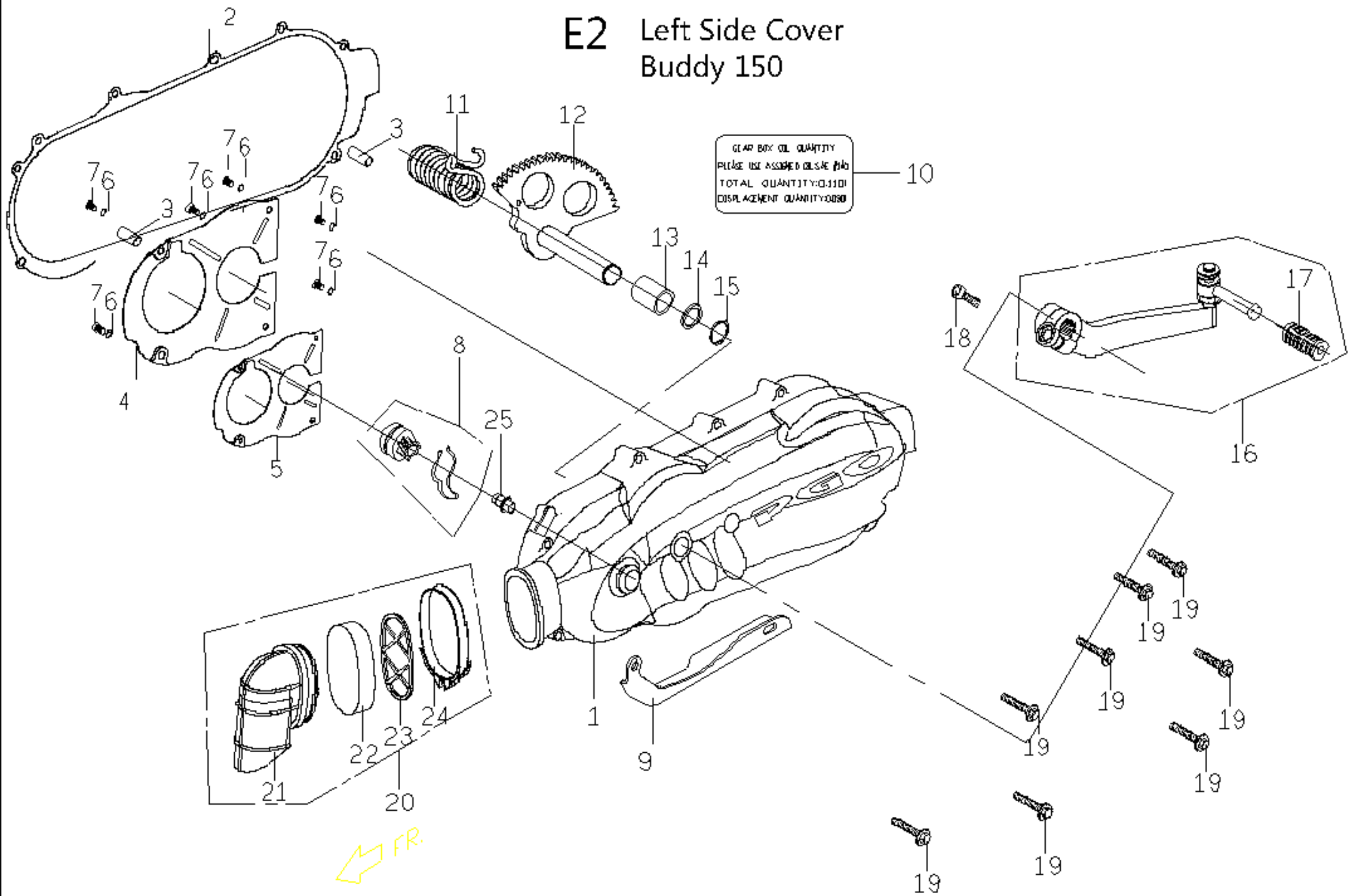


Table - E2 LEFT HAND SIDE COVER

NO.	PartNo.	Q'TY	PART NAME	NO.	PartNo.	Q'TY	PART NAME
1	C2063012720	1	LH., SIDE COVER	21	C1063030000	1	BREATHER PIPE , not supplied
2	C2063020000	1	Gasket Left Cover	22	C1063092000	1	SPONGE,BREATHER PIPE
3	93540801400	2	LOCK PIN	23	C1063110000	1	FIXING PLATE
4	C20630600001	1	PARTITION PLATE	24	C1706280000	1	CLAMP
5	C20631200001	1	GASKET PARTITION PLATE	25	C1251171000	1	FIXED SHAFT, KICK STARTER
6	92110500000	6	SPRING LOCK WASHER				
7	90050500900	6	CR ROUND HD MACHINE SCREW(M5*9				
8	C1251001000	1	DRIVEN GEAR & SPRING ASSY				
9	C1062081000	1	BRACKET, CENTER STAND				
10	C16031400001	1	NOTICE STICKER, GEAR OIL				
11	C1251112000	1	torsion spring				
12	C1251101000	1	SHAFT ASSY,KICK STARTER				
13	C1251120000	1	BUSH, KICK SPINDLE				
14	92141700002	1	WASHER				
15	92171700000	1	RETAINING RING C TYPE				
16	C1251200000	1	KICK STARTER ASSY				
17	E1251240000	1	RUBBER,PAD,KICK STARTER				
18	90210802500	1	HEXAGON SCOKET HD. CAP BOLT(M8*25L)				
19	90190604001	8	HEXAGON FLANGE BOLT (M6*40L)				
20	C1063102000	1	BREATHER PIPE COMP.				

E3 Cylinder Head Buddy 150

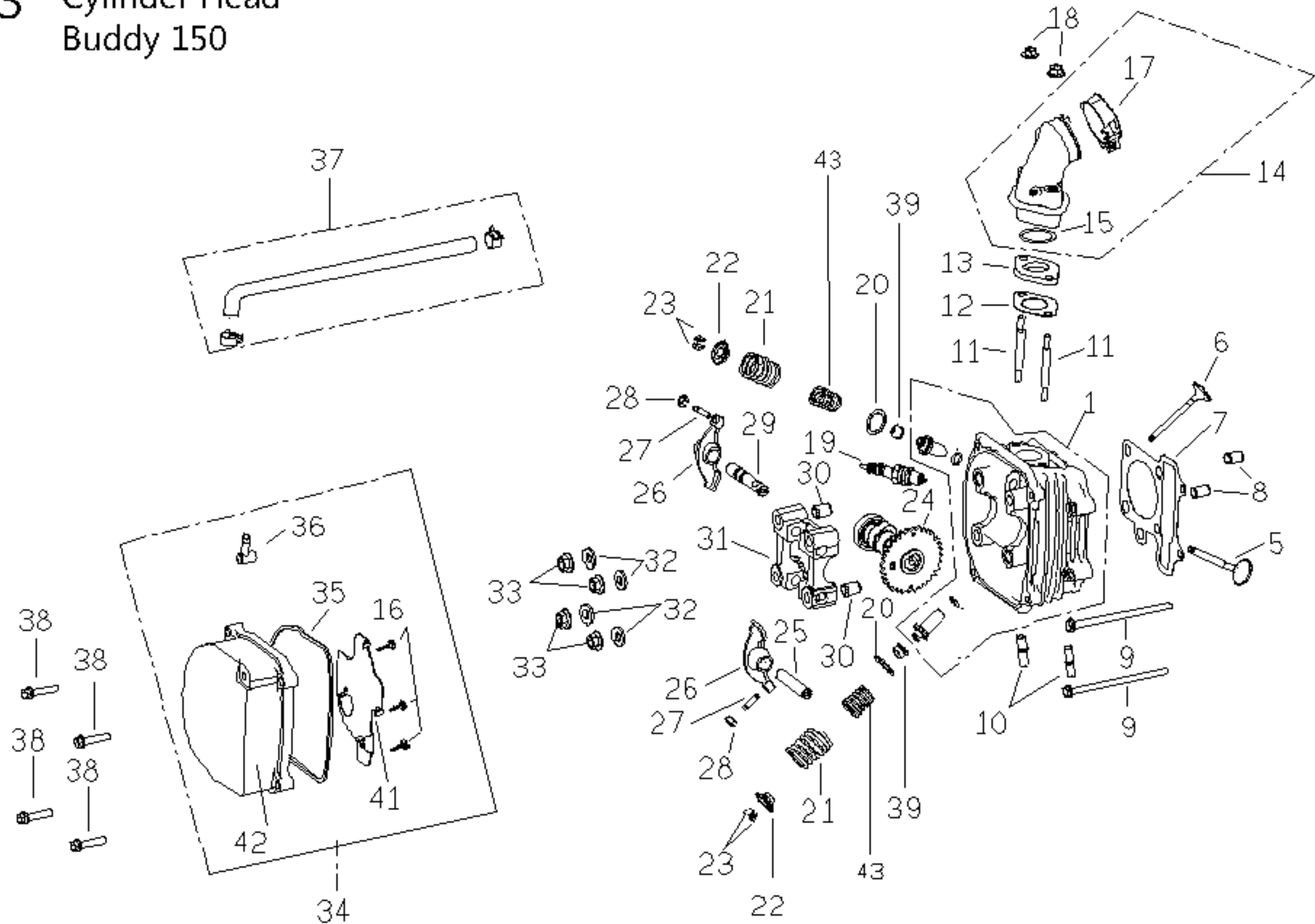


Table - E3 CYLINDER HEAD

NO.	PartNo.	Q'TY	PART NAME	NO.	PartNo.	Q'TY	PART NAME
1	C5071011000	1	CYLINDER HEAD	23	C1071430000	4	COTTER VALVE
5	C5071200000	1	VALVE EXHAUST	24	C5073000000	1	CAMSHAFT ASSY
6	C5071300000	1	VALVE INLET	25	C1072060000	1	SHAFT, EX ROCKER ARM
7	C5071071000	1	GASKET HEAD CYL.	26	C1072010000	2	ROCKER ARM, VALVE
8	93541001401	2	LOCK PIN (10*14)	27	C1072420000	2	TOPPED ADJUSTABLE SCREW
9	90190610000	2	HEXAGON FLANGE BOLT (M6*100L)	28	92020500000	2	HEXAGON NUT (M5*0.8P)
9	90190610001	2	HEXAGON FLANGE BOLT (M6*100L)	29	C1072050000	1	SHAFT, IN ROCKER ARM
10	90170802900	2	STUD BOLT	30	93541001401	2	LOCK PIN (10*14)
11	90170606300	2	STUD BOLT	31	C1072430000	1	CAMSHAFT HOLDER
12	C1261321000	1	Insulator Carb. Gasket	32	92140800000	4	PLAIN WASHER
13	C1261310000	1	INSULATOR, CARB.	33	92040800000	4	HEXAGON FLANGE NUT
14	C1261052000	1	INTAKE MANIFOLD ASSY	34	C3071100000	1	COVER COMP,CYLINDER HEAD
15	95512700001	1	O RING	35	C1071120000	1	GASKET, CYLINDER HEAD COVER
16	90150400800	4	CR TRUSS HD TAPPING SCREW(M4*8L)	36	C3071130000	1	BREATHER TUBE PLUG
17	C1261061000	1	HOSE CLAMP	37	C3071190000	1	BREATHER TUBE ASSY
18	92040600000	2	HEXAGON FLANGE NUT (M6*1.0P)	38	90190602700	4	HEXAGON FLANGE BOLT (M6*27L)
19	C12220000002	1	SPARKING PLUG , CR7HSA	39	C1071451000	2	SEAL, VALVE
20	92431600002	2	WASHER	40	C5071421000	2	INNER SPRING, VALVE
21	C5071411000	2	OUTER SPRING,VALVE	41	C10711500001	1	PARTITION PLATE
22	C1071440000	2	RETAINER, VALVE SPRING	42	C3071100000	1	CYLINDER HEAD COVER

E4 Cylinder, Piston, Crankshaft Buddy 150

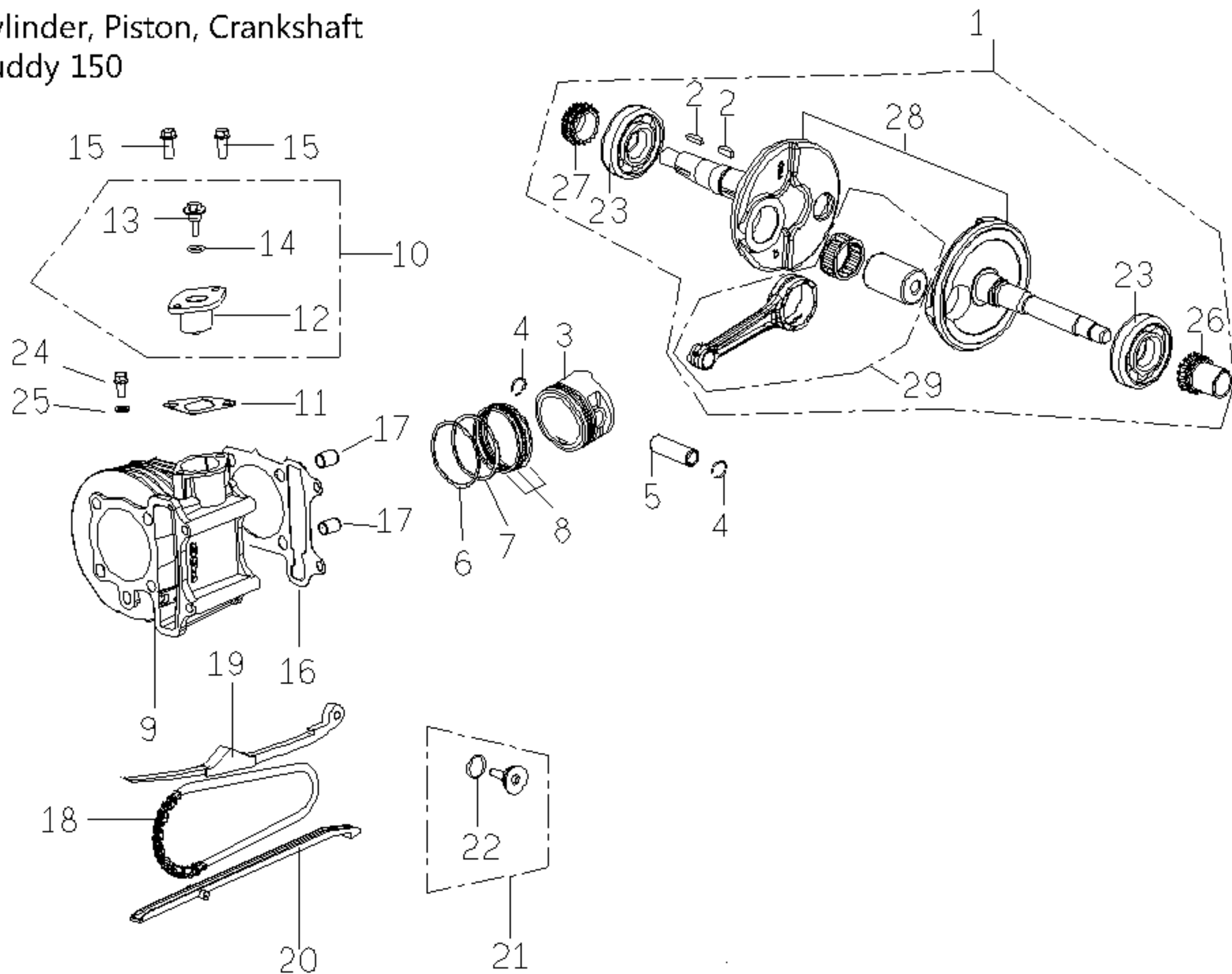


Table - E4 CRANKSHAFT

NO.	PartNo.	Q'TY	PART NAME	NO.	PartNo.	Q'TY	PART NAME
1	C50665010003	1	CRANK SHAFT ASSY. ECR-C	22	95511500001	1	O RING
2	93530402500	2	WOODRUFF KEY	23	C1062100000	2	ROLLER BEARING
3	C5067012000	1	PISTON	24	90190601203	1	HEXANGON FLANGE BOLT(M6*1.0P*1
4	G1067151000	2	CLIP, PISTON PIN	25	92140600011	1	WASHER
5	C50671110000	1	PISTON PIN , ECR-C	26	C5066130000	1	TIMING SPROCKET
6	C5067310000	1	PISTON RING (1)	27	C1066140000	1	OIL PUMP SPROCKET
7	C5067320000	1	PISTON RING (2)	29	C506F1100002	1	CONNROD ASSY
8	C5067400000	1	OIL SCRAPER RING COMP				
9	C50640100005	1	CYLINDER , 57.0mm				
10	C5072500000	1	CHAIN ADJUSTER COMP.				
11	C5072481000	1	Gasket, Chain Adjuster				
13	90070600600	1	CR TRUSS HEAD TAPPING SCREW				
14	95511000002	1	O-RING				
15	90180602000	2	HEXAGON FLANGE BOLT (M6*20L)				
15	90180602002	2	HEXAGON FLANGE BOLT (M6*20L)				
16	C5064111000	1	Gasket Cyl.				
17	93541001401	2	LOCK PIN (10*14)				
19	C1072440000	1	TENSIONER, TIMING CHAIN				
20	C5072470000	1	GUIDE COMP,CAM CHAIN				
21	C1072490000	1	SCREW ASSY, TIMING CHAIN TENSIONER				

E5 Right Crankcase Cover Buddy 150

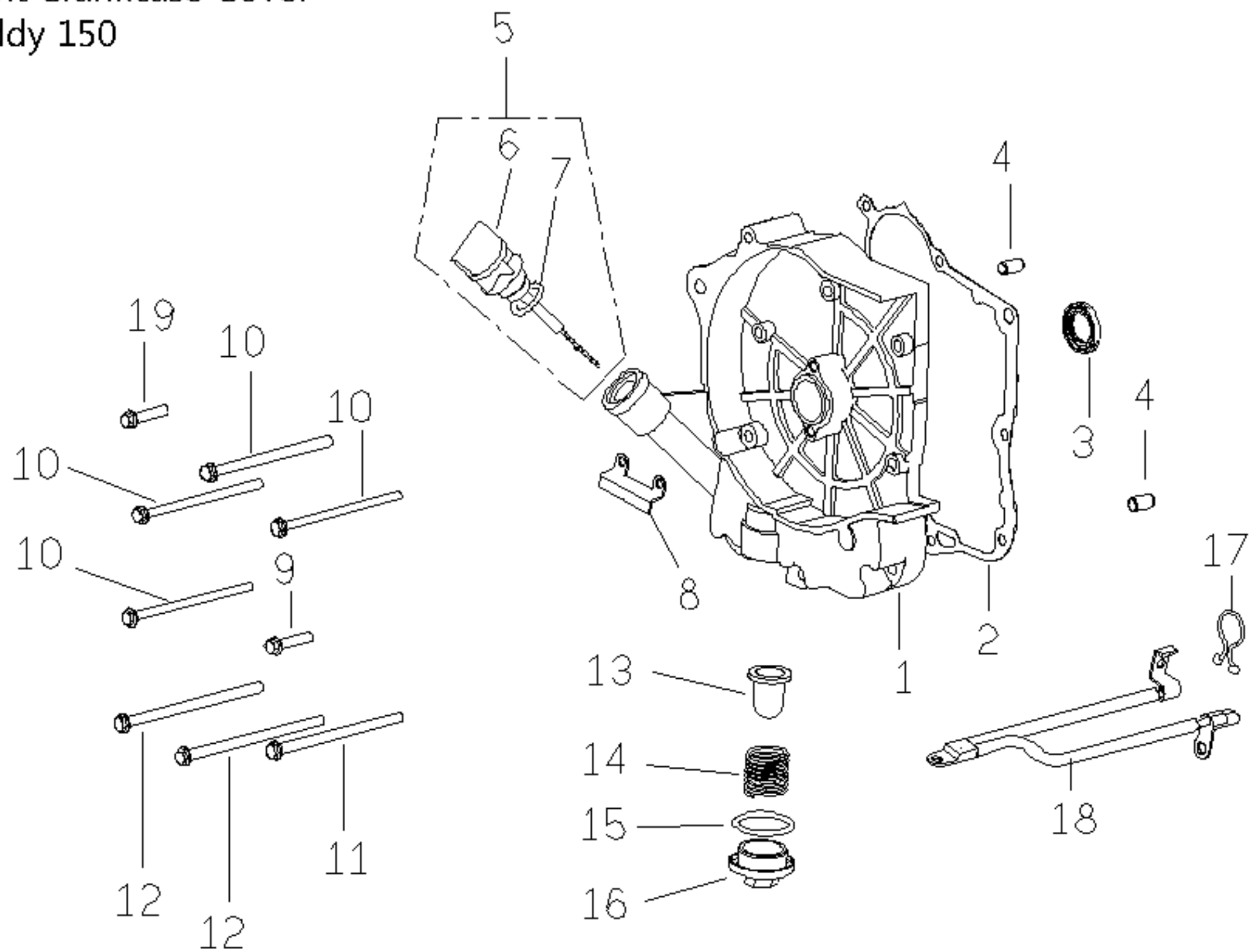


Table - E5 RIGHT CRANKCASE COVER

NO.	PartNo.	Q'TY	PART NAME
1	C10680100002	1	COVER, R. CRANKCASE , ECR-C
3	95572030501	1	OIL SEAL TC TYPE
4	93540801400	2	LOCK PIN
5	C2068110000	1	GAUGE, OIL LEVEL ASSY
7	95511800001	1	O-RING
8	C1706640000	1	A.C.G PLATE
9	90190602700	1	HEXAGON FLANGE BOLT (M6*27L)
10	90190609500	4	HEXANGON FLANGE BOLT (M6*95L)
11	90190610000	1	HEXAGON FLANGE BOLT (M6*100L)
11	90190610001	1	HEXAGON FLANGE BOLT (M6*100L)
12	90190611000	2	HEXAGON FLANGE BOLT (M6*110L)
12	90190611000	2	HEXANGON FLANGE BOLT (M6*110)
13	G1062180000	1	SCREEN ,OIL FILTER
14	C1062190000	1	COMPRESSION SPRING
15	95513100000	1	O RING
16	C1062240000	1	CAP, OIL FILTER
18	P6241031000	1	STARTING MOTOR GROUND WIRE
19	90190603000	1	HEX. FLANGE BOLT (M6*30L), for grounding line
19	90190603001	1	HEX. FLANGE BOLT (M6*30L) , for grounding line

E6 Carburetor Buddy 150

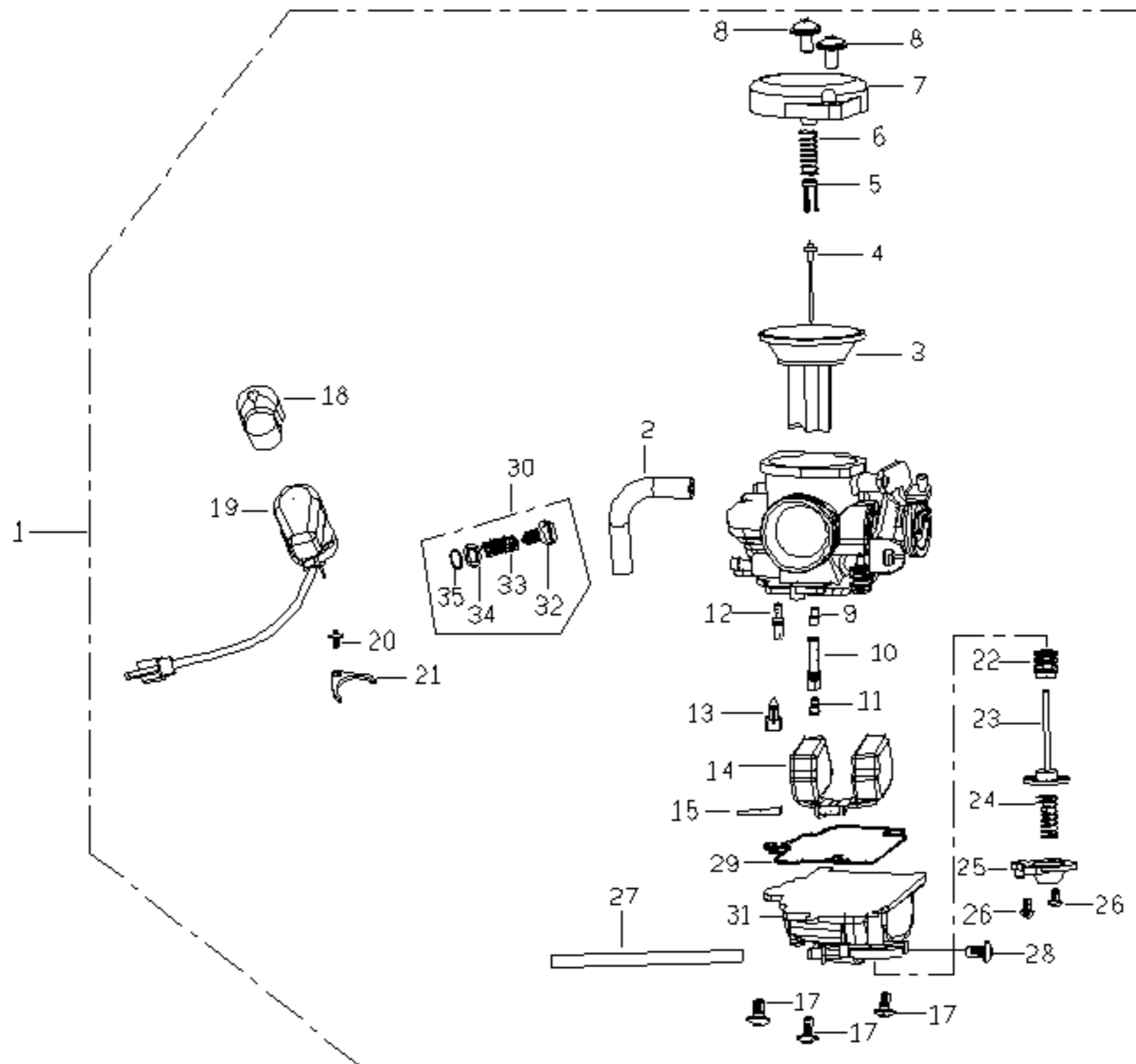


Table - E6 CARBURETOR

NO.	PartNo.	Q'TY	PART NAME	NO.	PartNo.	Q'TY	PART NAME
1	C21510010004	1	CARBURETOR ASS'Y, CVK-46B	21	10908732001	1	SET PLATE
2	16199GY69000	1	TUBE	22	10280547000	1	RUBBER CAP
3	14029232201	1	VACUUM PISTON COMP.	23	12018302201	1	DIAPHRAGM COMP.
4	N4254HJBN	1	JET NEEDLE COMP.	24	1290A072000	1	SPG.,COMPR.
5	12298057000	1	SPG. SEAT	25	12308502000	1	COVER
6	1290A232000	1	SPG.,COMPR.	26	93500040101H	2	SCREW
7	10308737003	1	TOP	27	1785402H0040	1	TUBE
8	1108031100	2	SCREW,PAN	28	11988222000	1	SCREW
9	N42633C00	1	NEEDLE JET	29	12028656000	1	PARKING
10	N41318C00	1	NEEDLE JET HOLDER	31	N35061C00	1	FLOAT CHAMBER COMP.
11	991011160920	1	MAIN JET	32	N44612C00	1	SCREW
12	1001440H0381	1	SLOW JET COMP.	34	3018032000	1	WASHER
13	16155ZG8L100	1	FLOAT VALVE ASSY	35	16075KG89010M1	1	O RING
14	10528622101	1	FLOAT COMP.				
17	93500040121H	3	SCREW,PAN				
18	12308567001	1	COVER				
19	40000940000	1	AUTO BYSTARTER ASSY.				
20	938920400818	1	SCREW,WASHER				

E7 CVT Transmission Buddy 150

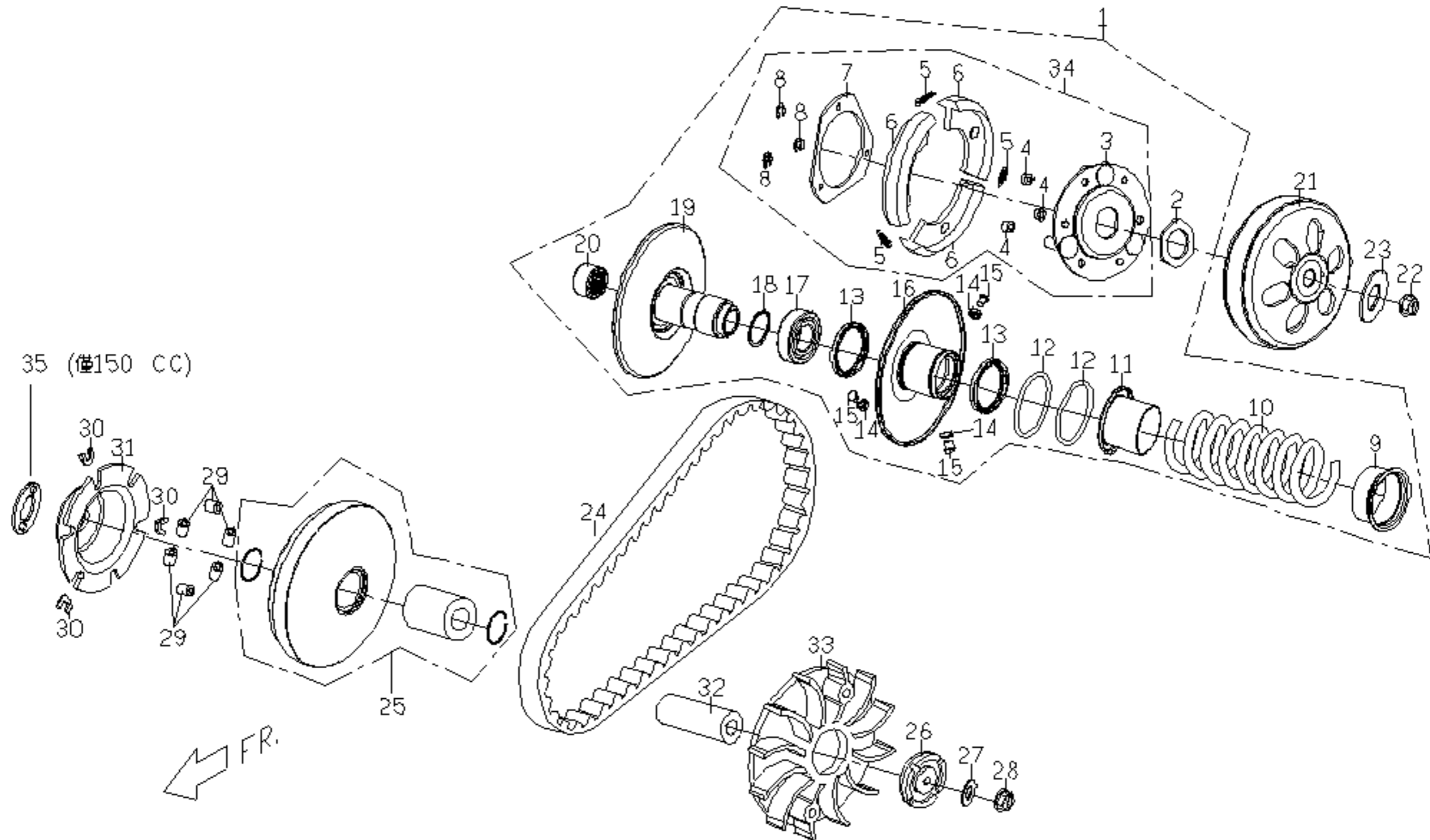


Table - E7 DRIVEN PULLEY

NO.	PartNo.	Q'TY	PART NAME	NO.	PartNo.	Q'TY	PART NAME
	C5123701000	1	BUDDY 150/170)	23	92141200005	1	WASHER
2	P1123410000	1	NUT	24	C21220000001	1	V TYPE BELT
3	C1123300000	1	BODY COMP,DRIVE PLATE	25	C11211000001	1	FACE MOVABLE DRIVE
4	C1123420000	3	DAMPER RUBBER,CLUTCH	26	C1251030000	1	RATCHET , KICK STARTER
5	C1123430000	3	SPRING,CLUTCH	27	92141200005	1	WASHER
6	C1123440000	3	WEIGHT SET,CLUTCH	28	92041200002	1	HEXAGON FLANGE NUT
7	C1123450000	1	PRESSURE PLATE,CLUTCH	29	C11212000001	6	WEIGHT ROLLER ASSY , ECR-C98040
8	92180700000	3	RETAINING RING E TYPE	30	C1121321000	3	SLIDE PIECE
10	C1123520000	1	SPG.,DRIVEN FACE	31	C1121310000	1	PAMP PLATE
11	C1123530000	1	SEALED SOCKET	32	C1121050000	1	BOSS DRIVE FACE
12	95513700000	2	O-RING	33	C11210600001	1	DRIVE FACE
13	95593441400	2	OIL SEAL G TYPE	34	C51236000000	1	PLATE COMP DRIVE
14	C1123250000	3	BUSH	35	C5066051000	1	SPACE BUSH , cp150 only
15	C1123240000	3	PIN,GRIDE				
16	C1123210000	1	BODY COMP., DRIVEN FACE				
17	96520690200	1	DEEP GROOVE BALL BEAR ONE SEAL				
18	92162400000	1	RETAINING RING C TYPE				
19	C1123110000	1	DOBY COMP,DRIVEN FACE				
20	96550202900	1	NEEDLE BEARING				
21	C1123510000	1	OUTER BODY COMP.CLUTCH				
22	92041200002	1	HEXAGON FLANGE NUT				

E8 Fan Cover, Generator Buddy 150

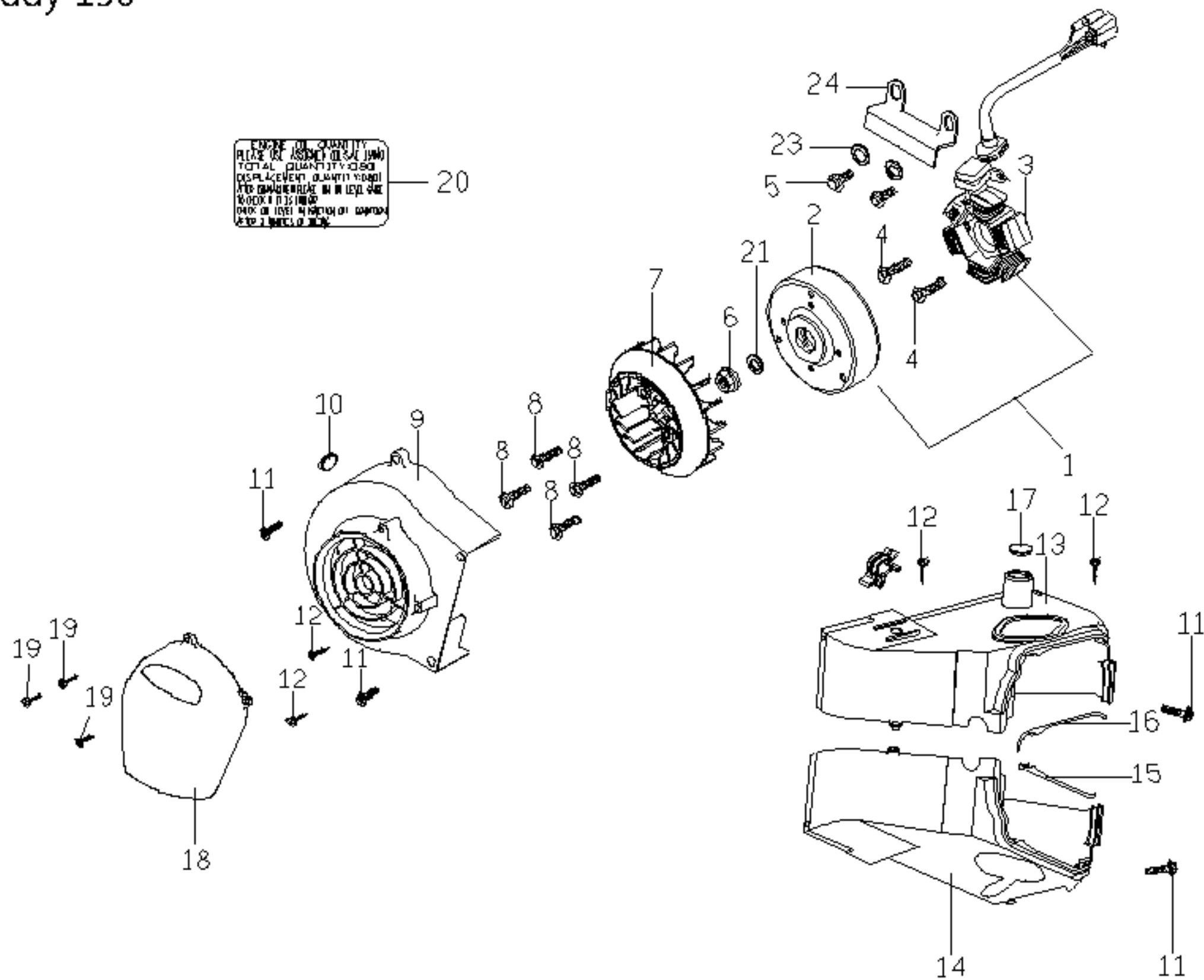


Table - E8 GENERATOR

NO.	PartNo.	Q'TY	PART NAME	NO.	PartNo.	Q'TY	PART NAME
1	C12210000001	1	A.C.G COMP.	18	C1042242000	1	COVER, FAN HOOD
2	C12210100001	1	FLYWHEEL COMP	19	90110401600	3	CR PAN HD TAPPING SC
3	C12210200001	1	STATOR COMP	20	C16031300001	1	NOTICE STICKER, OIL
4	90180602000	2	HEXAGON FLANGE BOLT (M6*20L)	21	92141200005	1	WASHER
4	90180602002	2	HEXAGON FLANGE BOLT (M6*20L)	23	92140500014	2	PLAIN WASHER
5	90190501201	2	HEXAGON FLANGE BOLT (M5*12L)	24	C1706640000	1	A.C.G PLATE
6	92041200000	1	HEXAGON FLANGE NUT	25	C1042270000	1	CUIDENCE PIPE
7	C1043001000	1	FAN				
8	90190601204	4	Hexangon Flange Bolt				
8	90190601206	4	Hexangon Flange Bolt				
9	C10420020000	1	FAN COVER , ECR-C				
10	C1042030000	1	RUBBER PLUG				
11	90180602000	4	HEXAGON FLANGE BOLT (M6*20L)				
11	90180602002	4	HEXAGON FLANGE BOLT (M6*20L)				
12	90150501602	4	C-R RECESS PAN HD. TAPPING				
13	C50422110001	1	COOLING HOOD				
14	C5042102000	1	COOLING COWL(1)				
15	C1042120000	1	SEAL, COOLING COWL (1)				
16	C1042220000	1	SEAL, COOLING COWL (2)				
17	C1701260000	1	RUBBER PLUG				

E9 Starting Motor, Oil Pump Buddy 150

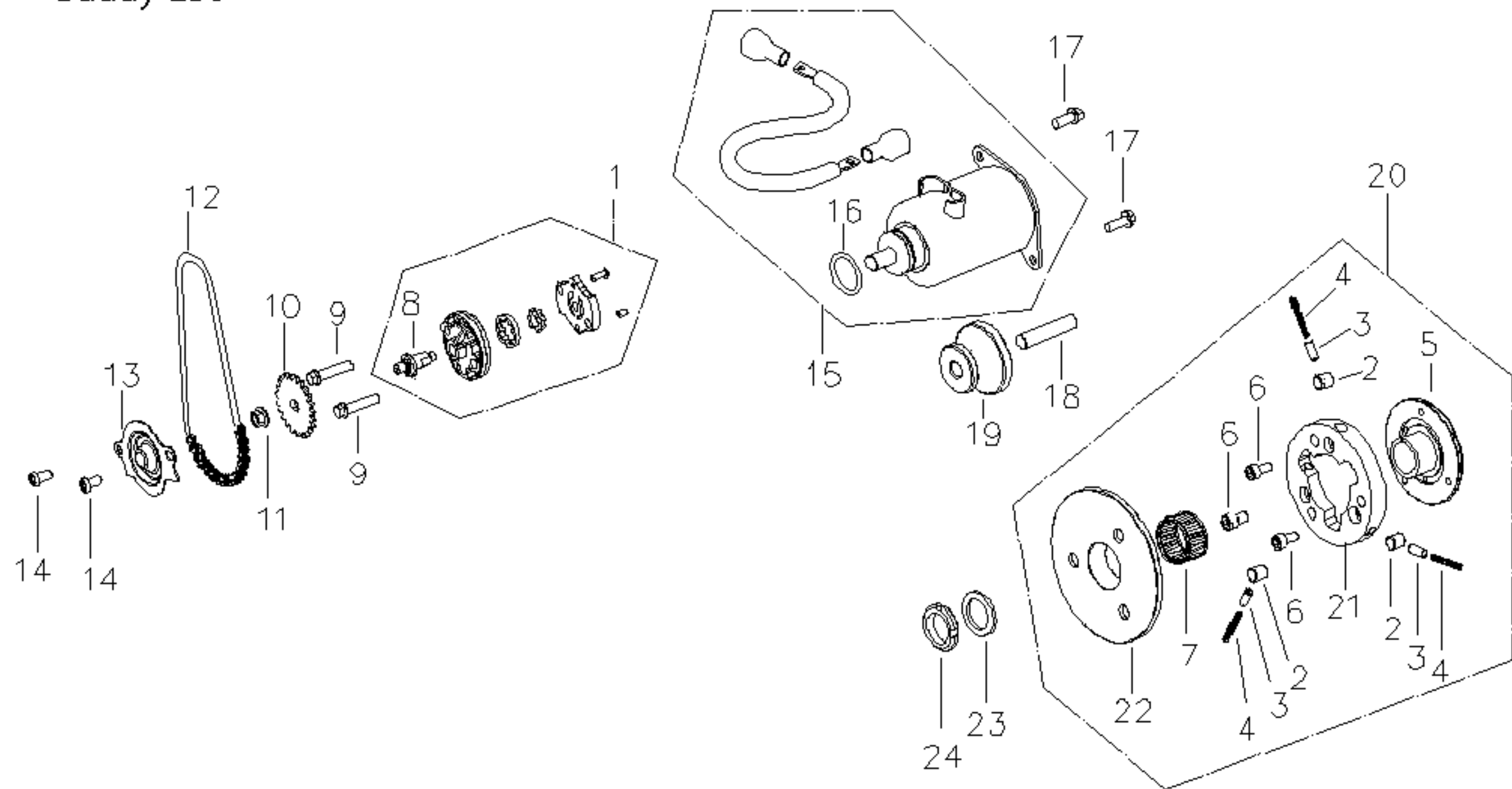



Table - E9 STARTING MOTOR

NO.	PartNo.	Q'TY	PART NAME
1	C1081000000	1	PUMP ASSY,ENGINE OIL
2	C1243030000	3	ROLLER ONE WAY CLUTCH
3	C1243020000	3	COP,ROLLER SPRING
4	G1243010000	3	COMPRESS SPRING
6	90210801000	3	HEXAGON SOCKET BOLT
7	96590283200	1	NEEDLE BEARING
8	C1081070000	1	SHAFT,OIL PUMP
9	90190602700	2	HEXAGON FLANGE BOLT (M6*27L)
10	C1081030000	1	SPRKT OIL PUMP DRIVEN
11	92040600000	1	HEXAGON FLANGE NUT (M6*1.0P)
12	C1081220000	1	CHAIN, OIL PUMP
13	C1081230000	1	SEPARATOR, OIL
14	E1681030000	2	PAN BOLT WITH WASHER
15	C1241000000	1	MOTOR ASSY STARTER
16	95512400002	1	O RING
17	90190601601	2	HEXAGON FLANGE BOLT (M6*16L)
18	C1242040000	1	SHAFT, START REDUCTION GEAR
19	C1242010000	1	GEAR, STARTER REDUCTION
20	C12430000001	1	ONE WAY CLUTCH ASSY
22	C1244000000	1	GEAR COMP.STARTING CLUTCH
23	92142200000	1	WASHER (22*31*2.5)
24	C1243060000	1	LOCK NUT (L)

E10 Gear Transmission Buddy 150

FR. 

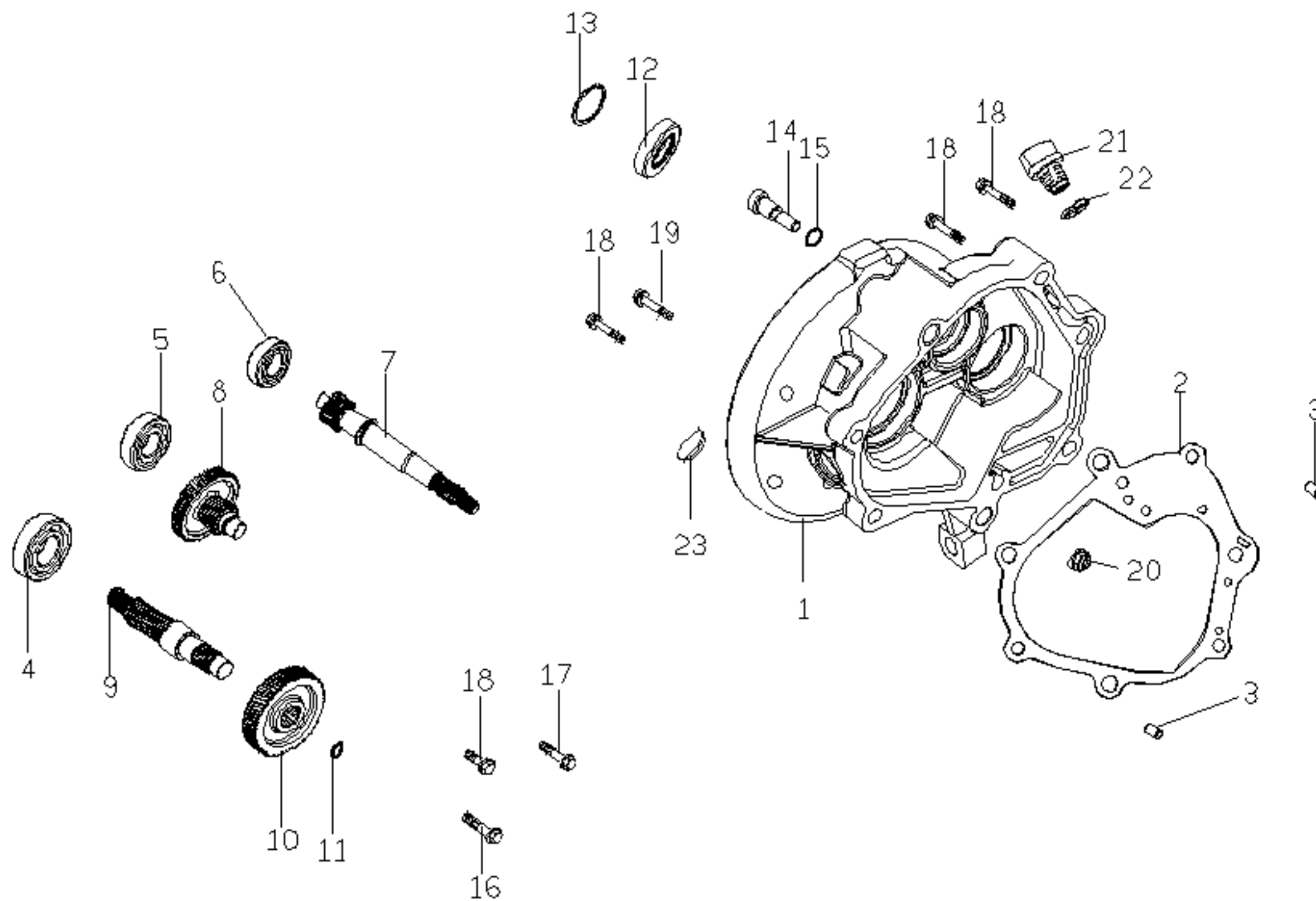


Table - E10 GEARBOX

NO.	PartNo.	Q'TY	PART NAME
1	C2141011000	1	TRANSMISSION COVER
2	C2141021000	1	Trans Cover Gasket
3	93541001401	2	LOCK PIN (10*14)
4	96510630100	1	DEEP GROOVE BALL BEARING
5	96510600200	1	DEEP GROOVE BALL BEARING
6	96530622200	1	BALL BEARING, DOUBLE SEALED
7	C61411000001	1	DRIVE SHAFT
8	C61412000002	1	IDLE GEAR ASSY.
9	C11414120000	1	AXLE DRIVE
10	C11413110003	1	FINAL GEAR
11	92172200000	1	C TYPE RETAINING RING
12	95572742702	1	Oil Sealtc TC Type
13	92165000000	1	RETAINING RING C TYPE
14	C2407431000	1	SHOE PIVOT, REAR BK
15	95510800000	1	O RING(7.5*1.5)
16	90190805001	1	HEXAGON FLANGE BOLT (M8*50L)
17	90190804501	1	HEXAGON FLANGE BOLT (M8*45L)
18	90190804003	4	HEXAGON FLANGE BOLT (M8*40L)
19	90190802600	1	HEXAGON FLANGE BOLT (M8*26L)
20	92060800002	1	HEXAGON FLANGE NUT
21	P1062150000	1	OIL BOLT
22	95511300001	1	O RING

E11 Air Cleaner Comp. Buddy 150

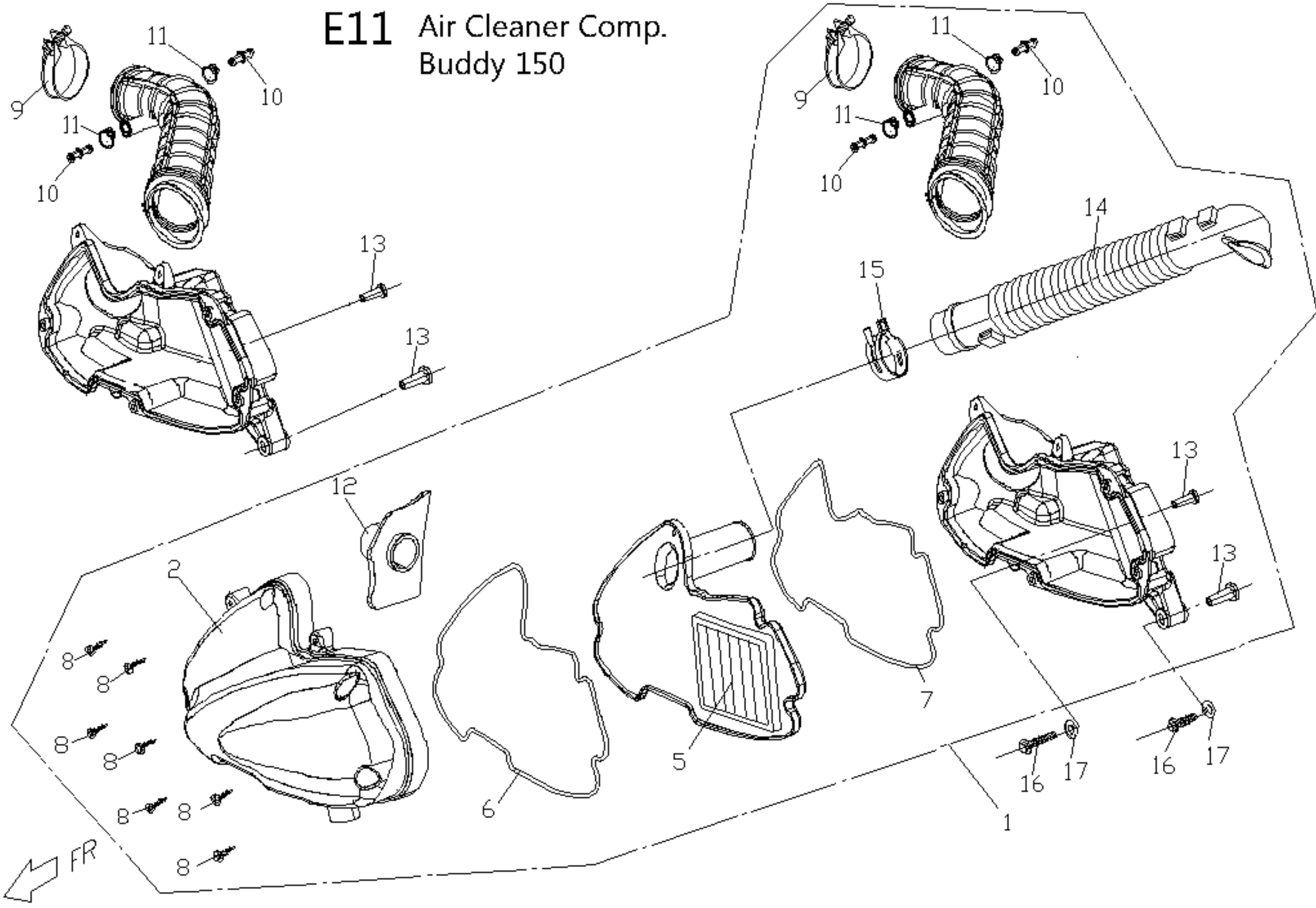


Table - E11 AIR CLEANER ASSEMBLY

NO.	PartNo.	Q'TY	PART NAME
1	P6262000002	1	AIR CLEANER COMP.
2	P6262020000	1	COVER, AIR CLEANER
5	P6262030000	1	AIR FILTER
6	P6262040000	1	PACKING, AIR FILTER
7	P6262230000	1	PACKING, AIR CLEANER
8	90150502000	7	CR TRUSS HD MACHINE SCREW
9	P62621100001	1	CLAP
10	P6262360000	2	PIPE,TWO WAY
11	92201200000	2	HOSE CLIP
12	P6262050000	1	CONNECTION PIPE
13	P6262060000	2	BUSH
14	P6262270000	1	INLET PIPE
15	92214000000	1	HOSE CLIP
16	90190603500	2	HEXAGON FLANGE BOLT(M6*35L)
17	92140600018	2	WASHER
18	P6262370000	1	PLUG,JOINT TUBE

E12 Muffler Buddy 150

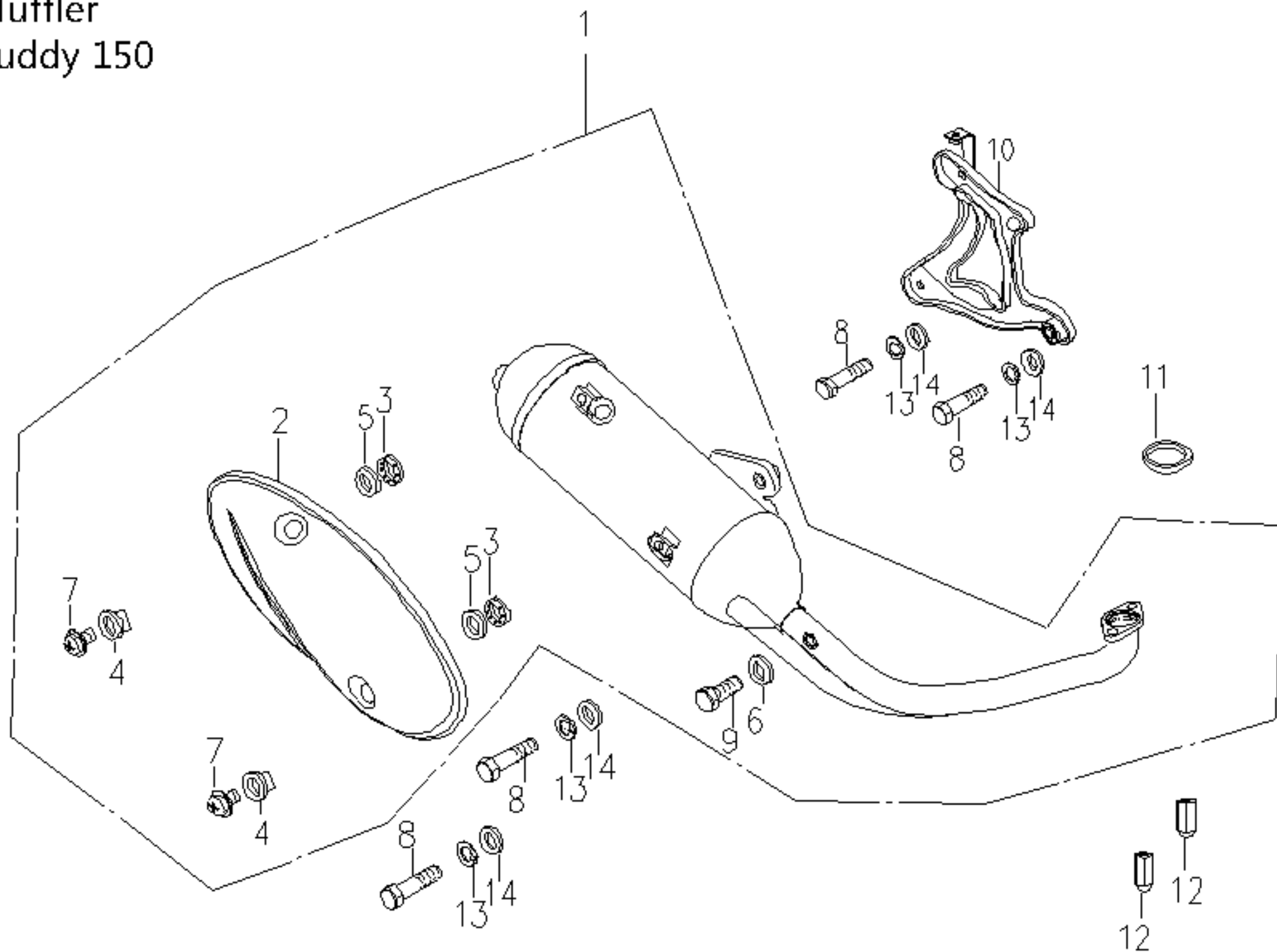


Table - E12 MUFFLER

NO.	PartNo.	Q'TY	PART NAME
1	C52810000008	1	Muffler Assy, 2008/2009
2	C12810100004	1	HEAT PROTECTOR
3	92140600015	2	WASHER(TEMPERATURE-ENDURING)
4	C128A010000	2	CIRCLET
5	C128A020000	2	CIRCLET INNER SPACER
6	92140800001	1	WASHER (8*1.6T)
7	90050601200	2	CR ROUND HD MACHINE SCREW (M6*12L)
8	90190804003	4	HEXAGON FLANGE BOLT (M8*40L)
9	90020801000	1	HEXAGON HEAD BOLT
10	C2281042000	1	BRACKET,MUFFER
11	E9281020000	1	PACKING,MUFFLER
12	92050800000	2	DOMED CAP NUT
13	92110800000	4	SPRING WASHER(8D*14D*2.2T)
14	92140600018	4	PLAIN WASHER

E13 Rear Wheel Buddy 150

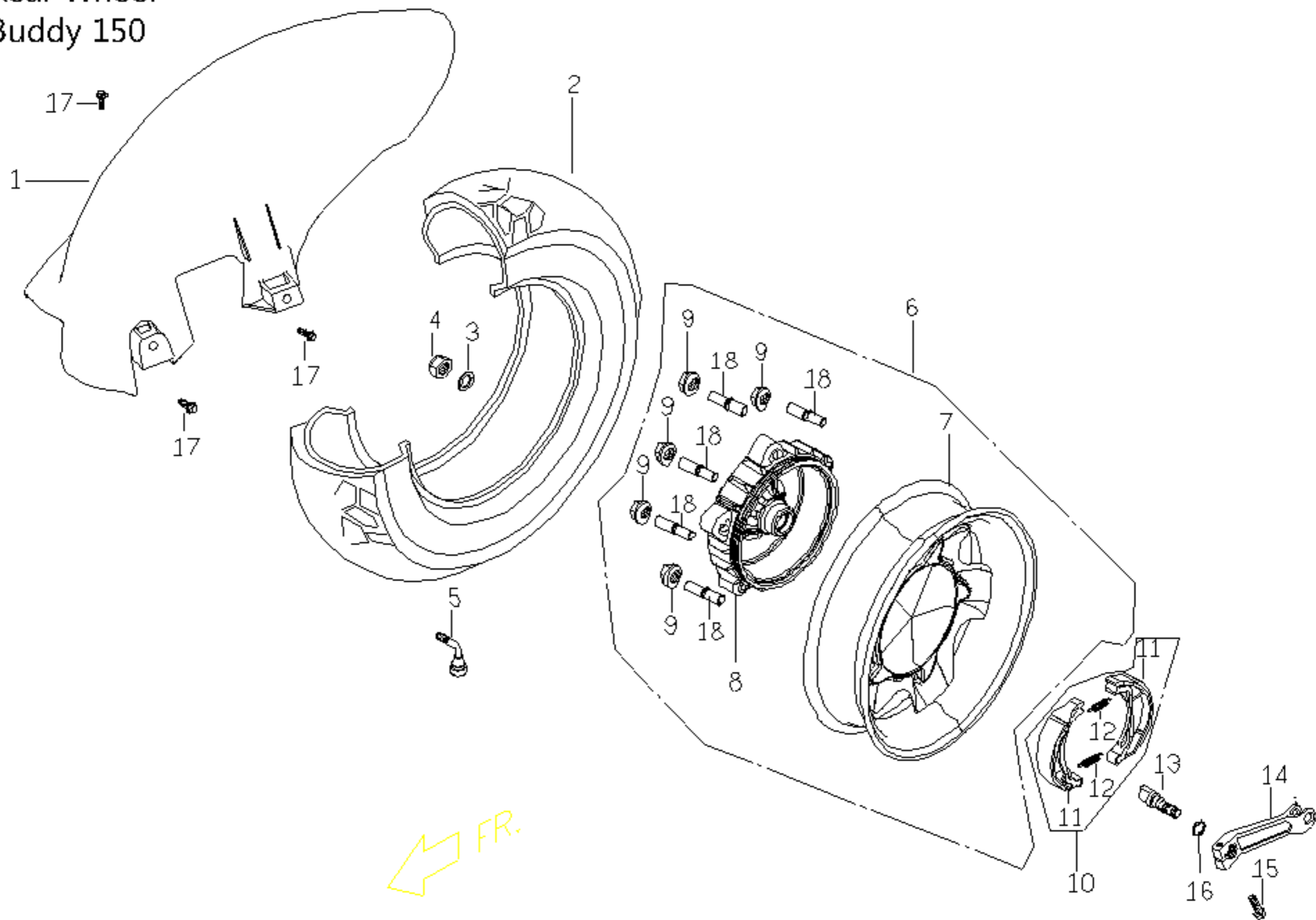


Table - E13 REAR WHEEL

NO.	PartNo.	Q'TY	PART NAME
1	C2634000650	1	REAR FENDER, black
3	92141700001	1	WASHER
4	92011600000	1	U TYPE SPRING NUT
5	P140B330000	1	VALVE
6	C24071051E00	1	REAR WHEEL RIM, blackjack red
6	C24071051S00	1	REAR WHEEL RIM, pamplona
6	C24071043K00	1	REAR WHEEL RIM, italia
6	C24071054300	1	REAR WHEEL RIM , st.tropez
6	C24071067700	1	REAR WHEEL RIM COMP, silver
8	C2407131770	1	HUB REAR (SILVER), silver
9	92060800002	5	HEXAGON FLANGE NUT
10	C24074010000	1	BRAKE SHOE ASSY.
12	C2407410000	2	SPRING, BRAKE SHOE
13	C2407443000	1	CAM, REAR BRAKE
14	C24074700001	1	ARM, REAR BRAKE
15	90020602203	1	HEXAGON BOLT
16	95511200000	1	O RING
17	90190602002	3	HEXAGON FLANGE BOLT (M6*20L)
18	90170803601	5	STUD BOLT

E14 Oil Cooler Buddy 150

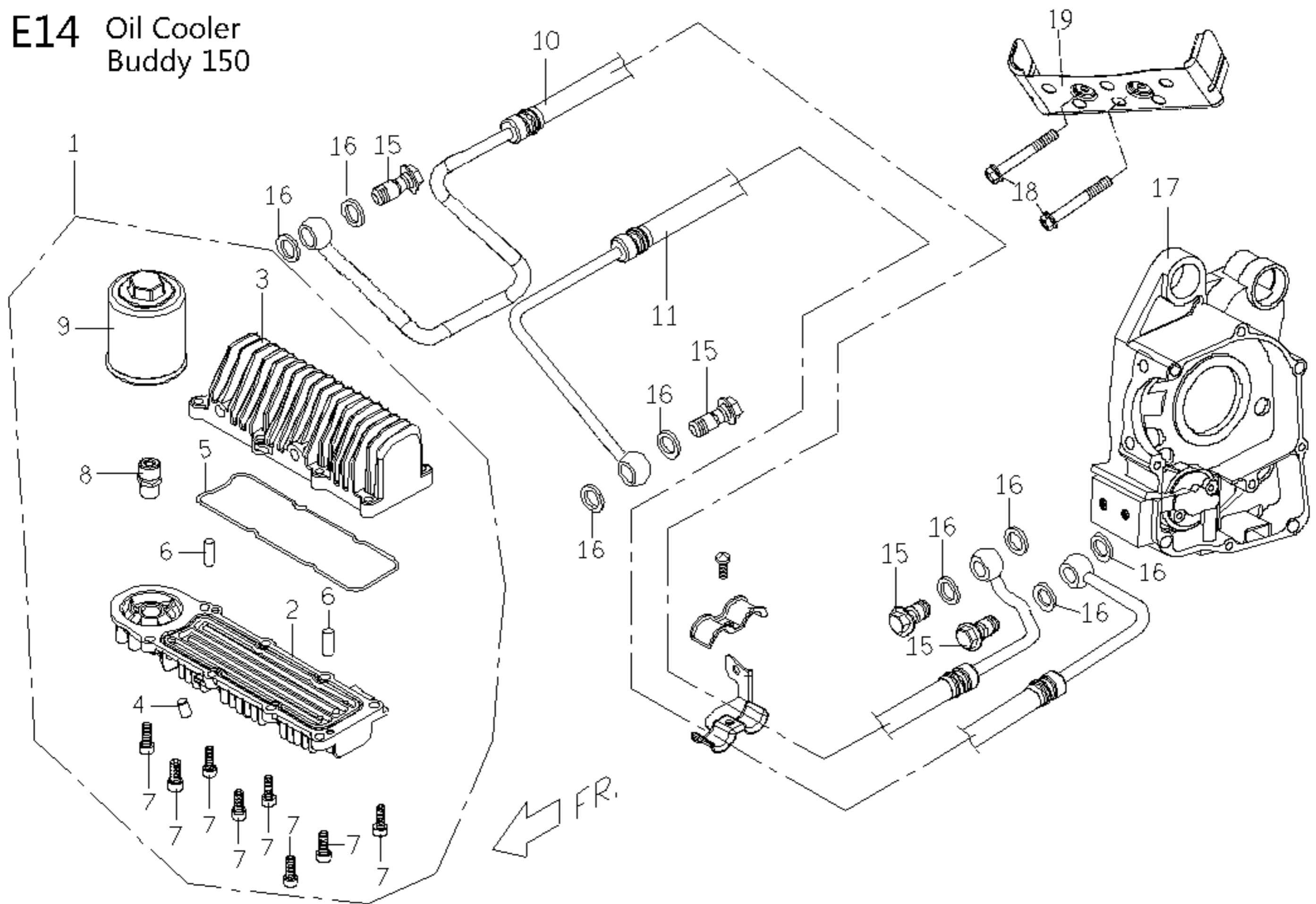


Table - E14 OIL COOLER

NO.	PartNo.	Q'TY	PART NAME
1	C50830100001	1	OIL COOLER ASSY , PA150
2	C5083020000	1	RADIATOR, UPPER
3	C5083030000	1	RADIATOR, LOWER
4	G1061070000	1	OIL PLUG
5	C5083040000	1	OIL SEAL
6	93560401000	2	LOCK PIN
7	90210601800	8	HEXAGON SOCKET HD. CAP SCREW
8	C5083080000	1	OIL FILTER JOINT
9	C1082020000	1	OIL FILTER
10	C50830500002	1	OIL COOLER PIPE(1)
11	C50830600002	1	OIL COOLER PIPE(2)
15	C5083070000	4	JOINT BOLT,OIL HOSE
16	92141200006	8	WASHER
17	C50610000001S	1	CRANKCASE, RH , C5061011000
18	90190807500	2	HEXAGON FLANGE BOLT (M8*75L)
19	C27060516001	1	COOLER GUARD BOARD

F1 Cover Upper/Lower Handlebar Headlight Buddy 150

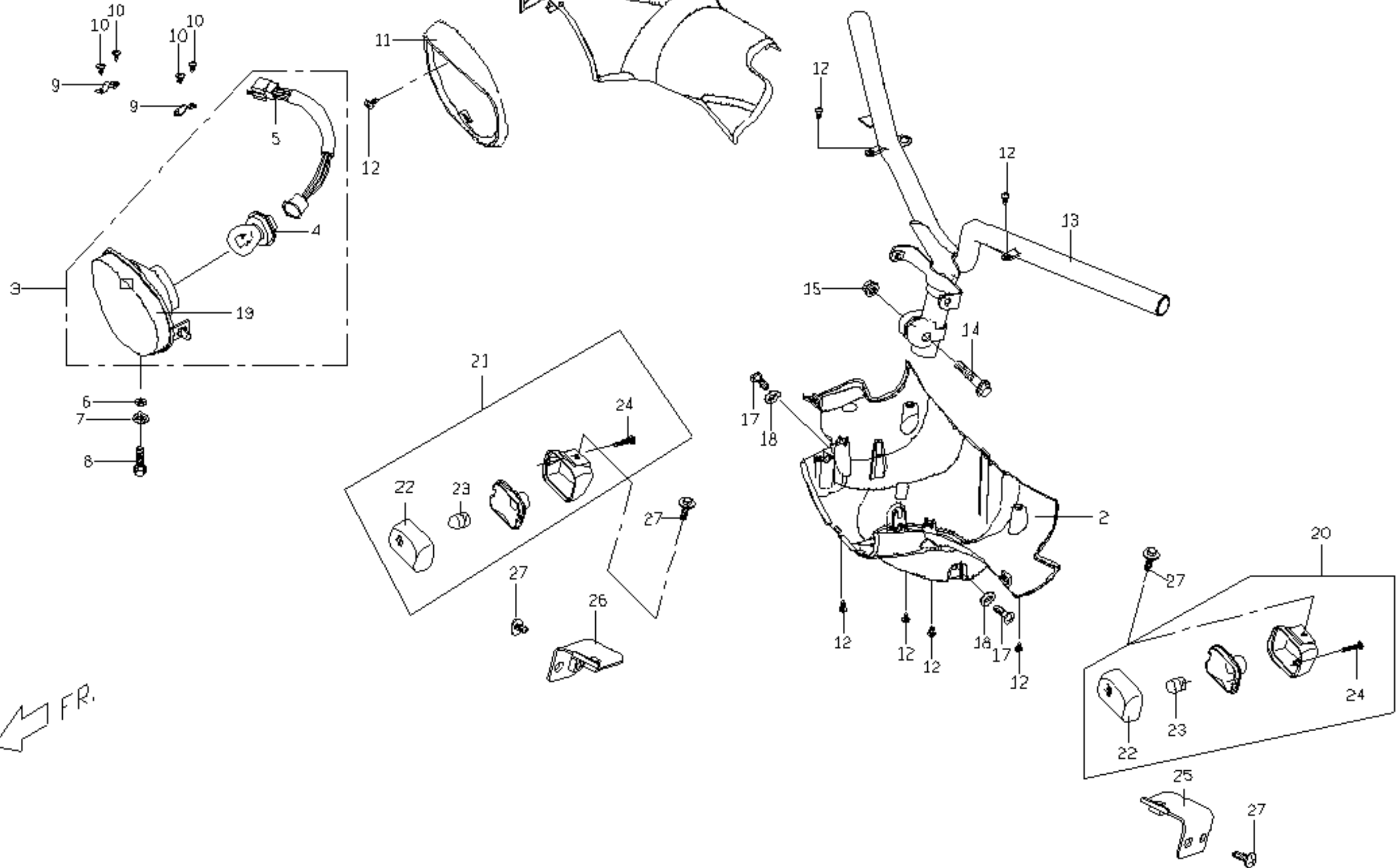


Table- F1 COVER UPPER/LOWER HANDLEBAR, HEADLIGHT

NO.	PartNo.	Q'TY	PART NAME	NO.	PartNo.	Q'TY	PART NAME
1	SEE PAGE 1	1	UPPER HANDLE COVER see Diagram Page 1	13	P5612001600	1	HANDLE BAR COMP
2	SEE PAGE 1	1	LOWER HANDLE COVER see Diagram Page 1	14	90191004600	1	HEXAGON FLANGE BOLT(M10*46L)
3	P66610000002	1	HEADLIGHT COMP. 2007 AND NEWER	15	92061000001	1	HEXAGON LOCK NUT (M10*1.25P)
3	P56610000002	1	HEADLIGHT COMP. SMALLER 2006 ONLY	16	P5613020000	1	SPEEDOMETER SIDE COVER CHROME
4	98151235351	1	HEADLAMP BULB (35/35W) 2007 and Newer	16	P56130206801	1	SPEEDOMETER SIDE COVER Psycho Black
4	98111235301	1	HEADLAMP BULB (35/30W) 2006 only	17	90040601403	2	C-R PAN HD. MACHINE SCREW
6	92140500014	1	PLAIN WASHER	18	92140600005	2	WASHER (6.4D*13D*1T)
7	92130600000	1	TEETH TYPE WASHER	20	C166C0110004	1	FR SIGNAL LAMP, LH
8	E1613010000	1	REGULATING SCREW	21	C166D0110004	1	FR SIGNAL LAMP, RH
9	P5706010000	2	FRONT LIGHT PLATE	22	C166G0200006	1	LH SIGNAL LAMP COVER-CLEAR
10	90130301000	4	CR ROUND HD TAPPING SCREW(M3*1	22	C166H0200006	1	RH SIGNAL LAMP COVER - CLEAR
11	P66130300002	1	BEZEL CHROME LARGE 2007 AND NEWER	23	98211221990	2	BULB, yellow, 21w
11	P66130306803	1	BEZEL BLACK LARGE 2007 AND NEWER	24	C166G0500005	2	SCREW
11	P5613030000	1	BEZEL CHROME SMALLER 2006 ONLY	27	90200501600	2	SCREW WITH WASHER
12	90110401200	7	CR PAN HD TAPPING SC				

F2 Speedometer Buddy 150

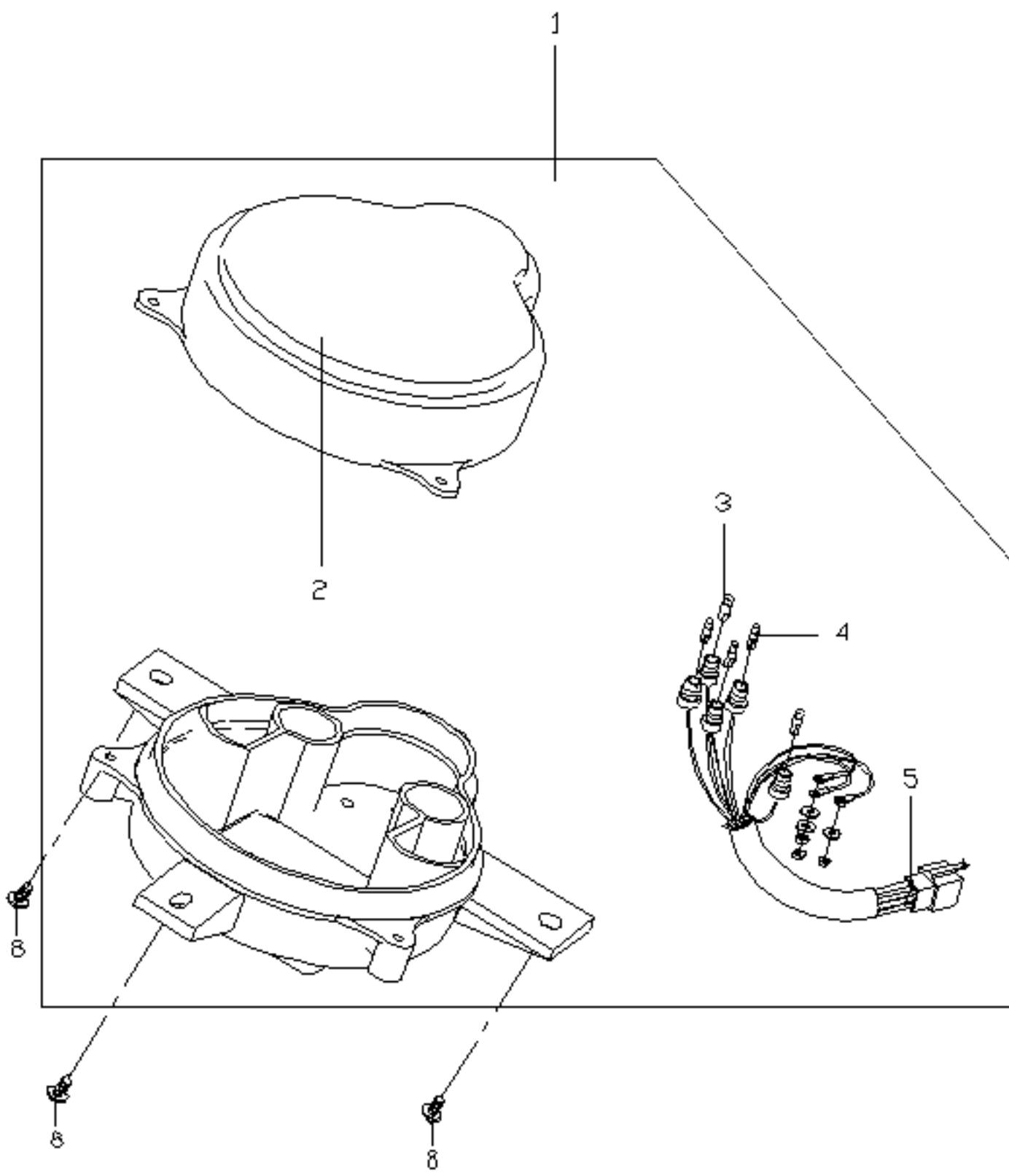
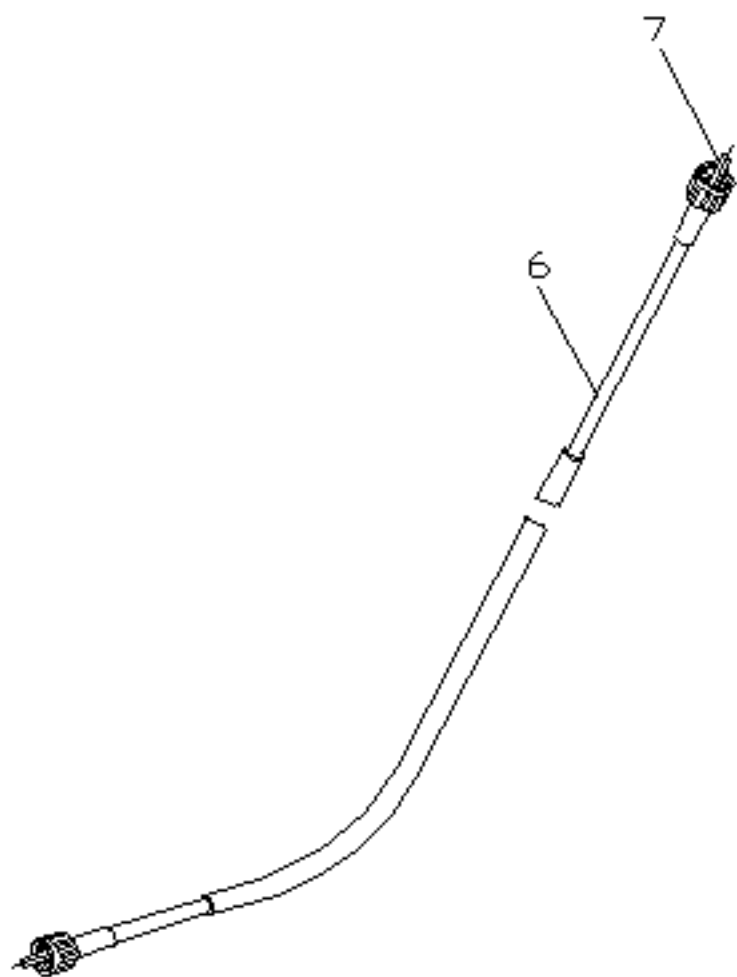


Table- F2 SPEEDOMETER

NO.	PartNo.	Q'TY	PART NAME
1	P65610000007	1	SPEEDMETER ASSY , Buddy 150
2	P556A010000	1	SPEEDMETER COVER
3	P556A030000	1	BULB (14v/32)
4	P556A020000	5	BULB (12/1.7w)
5	P556A040000	1	WIRE UNIT
6	P65440010005	1	SPEEDOMETER CABLE ASSY , 2007 and newer
6	P6544002000	1	SPEEDOMETER CABLE ASSY 2006 only
7	90110401200	3	CR PAN HD TAPPING SC

Table - F3 CABLE, SWITCH, BACK MIRRORS

NO.	PartNo.	Q'TY	PART NAME	NO.	PartNo.	Q'TY	PART NAME
2	P1546003000	1	LEFT LEVER HOLDER ASSY	20	90050501200	1	BOLT (M5*12L)
3	P154F410000	1	CASE, SWITCH UNDER 2	21	P6403600000	1	FRT BRAKE FLUID HOSE COMP.
4	P154F020000	1	CASE,SWITCH UNDER 1	22	P14038110000	2	JOINT BOLT,BRAKE HOSE
5	P154F030000	1	BOLT	23	92141000018	4	PLAIN WASHER
6	P154F040000	1	LOCK NUT	24	P154F390000	1	SCREW,PAN HEAD
7	P1543303000	1	LEVER,LH BRAKE	25	P154F400000	1	SCREW,PAN HEAD
8	C2548220000	1	RR BRK SWITCH COMP	26	P140C130000	2	SCREW
9	P05410010000	1	GRIP ASSY,LH, black	27	P140C120000	1	CAP,RESERVOIR
9	P05410010001	1	GRIP ASSY,LH, white	28	P140C110000	1	DIAPHRAGM,RESERVOIR
9	P05410010002	1	GRIP ASSY,LH, brown	29	P140C240000	1	BRACKET,MASTER CYLINDER
9	P05410010003	1	GRIP ASSY,LH, italian gray	31	M25480300000	1	STOP LIGHT SWITCH
9	P05410010004	1	GRIP ASSY,LH, pamplona				
11	P15480000001	1	HANDLE SWITCH ASSY,RH 2006 only	32	P6544602000	1	CABLE ASSY,THROT
11	P65480000000	1	HANDLE SWITCH ASSY,RH 2007 > W/HAZZARD	33	P154H180000	1	C-R ROUND HD SCREW
13	P154H020000	1	CASE,SWITCH UNDER 1	34	P154H170000	1	C-R ROUND HD SCREW
14	P05420010000	1	GRIP ASSY,RH, black	35	P6544401000	1	CABLE ASSY, RR BRAKE
14	P05420010001	1	GRIP ASSY,RH, white	36	P56160000003	1	REAR MIRROR LH/RH chrome short stem 2006
14	P05420010002	1	GRIP ASSY,RH, brown	36	P56160000003	1	REAR MIRROR LH/RH chrome long stem 2007>
14	P05420010003	1	GRIP ASSY,RH, Italia, gray	36	P56160000004	1	REAR MIRROR LH/RH BLACK long stem psycho
14	P05420010004	1	GRIP ASSY,RH, pamplona	37	P140C050000	1	SPRING
15	P5403000000	1	FRT BREAK MASTER CYLINDER	38	P140C030000	1	CUP LEATHER
16	P140C250000	2	INNER BOLT	39	P140C020000	1	PISTON
17	P140C220000	1	BOLT	40	P140C040000	1	OIL SEAL
18	P140C230000	1	FLANGE NUT	41	P140C070000	1	CLIP
19	P140C191000	1	LEVER,RH BRAKE	42	P140C080000	1	DUSTPROOF COVER

F4 Front Fork, Front Fender Buddy 150

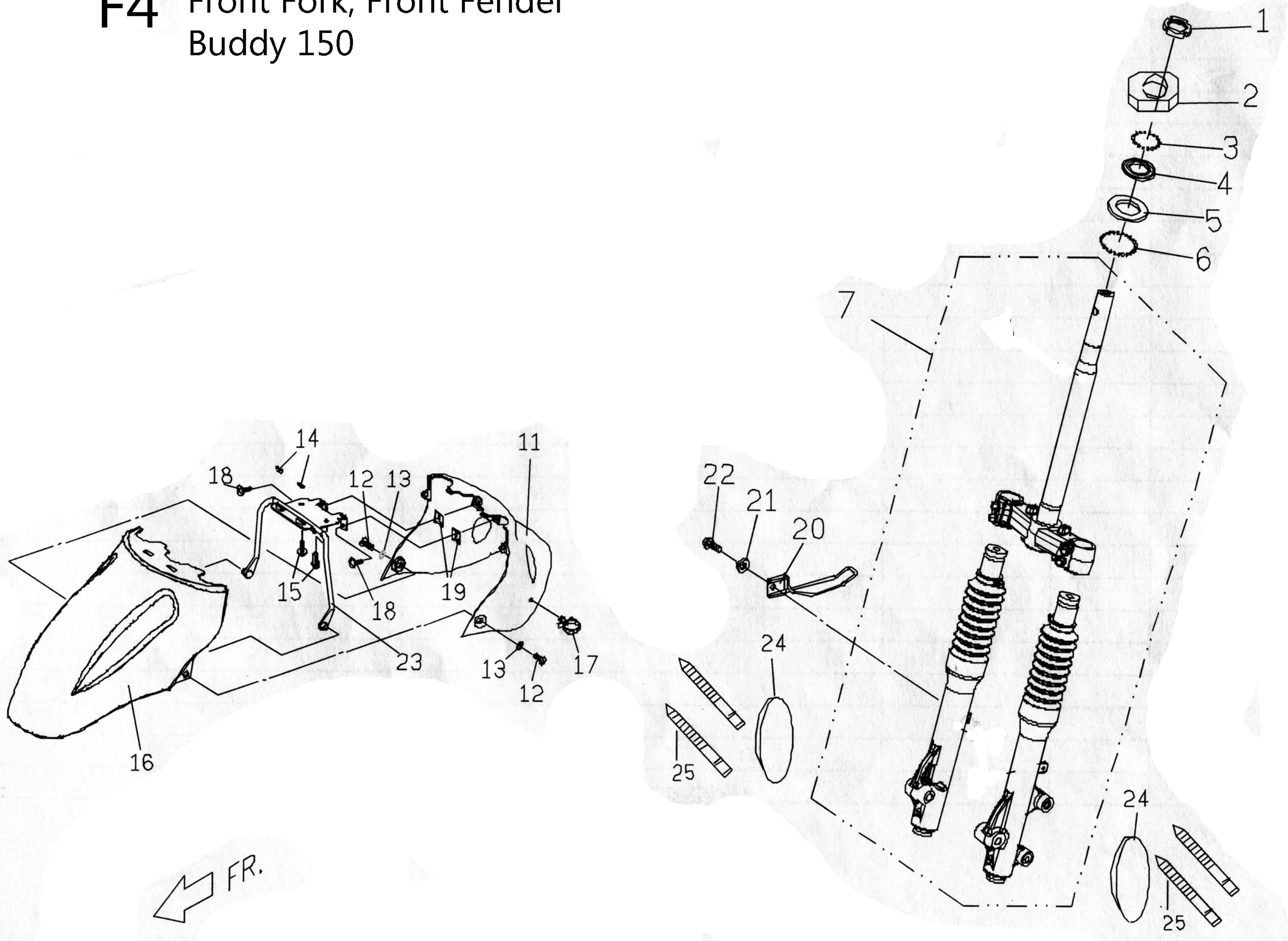


Table - F4 FRONT FORK, FRONT FENDER

NO.	PartNo.	Q'TY	PART NAME
1	P1443040000	1	STEERING SHAFT LOCK NUT
2	P6444051000	1	UPPER RING NUT
3	96630340500	1	UPPER BEARING(3/16")
4	P1443020000	1	UPPER BEARING RACE
5	C1443011000	1	LOWER BEARING RACE
6	99010600000	1	LOWER BEARING (1/4")
7	P64430020000	1	FORK ASSY.FRT
11	SEE PAGE 1	1	FR. FENDER,RR. SECTION,see Diagram Page 1
12	90150501601	2	CR TRUSS HD TAPPING SCREW(M5*16L)
13	90040601403	2	C-R PAN HD. MACHINE SCREW
14	C2632020000	2	RUBBER RING
15	90190601200	2	HEXAGON FLANGE BOLT(M6*1.0P*12L)
16	SEE PAGE 1	1	FRT FENDER,FRT SECTION, see Diagram Page 1
17	92362328000	1	CABLE CLIP
18	92140600017	2	WASHER
19	92370500003	2	U TYPE SPRING NUT
20	C2544020000	1	SPEEDOMETER CABLE CLIP COMP. (R)
21	90190601200	1	HEXAGON FLANGE BOLT(M6*1.0P*12L)
21	90190601207	1	HEXAGON FLANGE BOLT(M6*1.0P*12L)
22	92110600000	1	SPRING WASHER(6D*1.8T)
23	C2632010000	1	FRONT FENDER FIXING PLATE
24	P26690000001	2	REFLECTOR,FR
25	P1701030000	4	CABLE TIE

F5 Front Wheel, Front Caliper Buddy 150

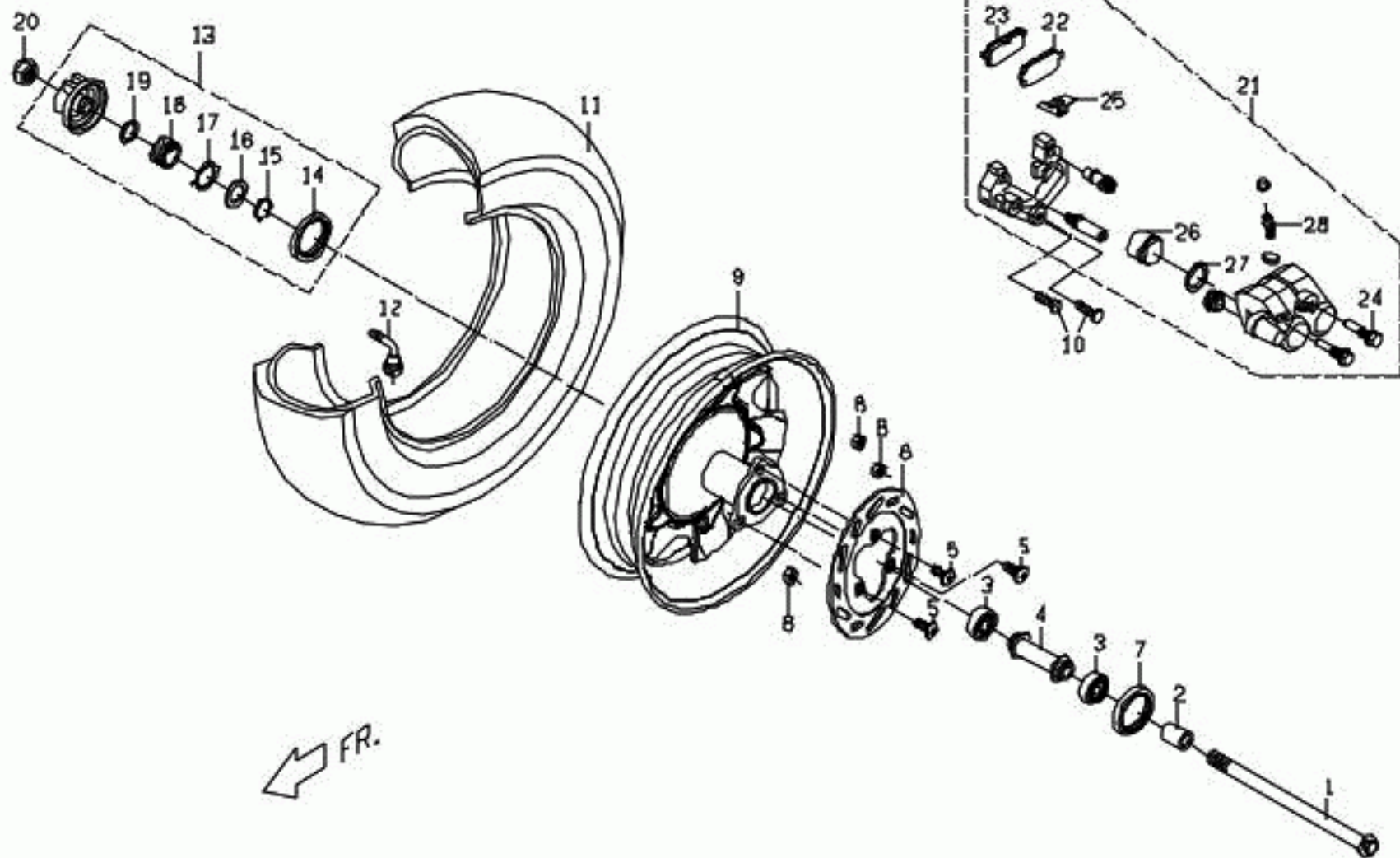


Table - F5 FRONT WHEEL, FRONT CALIPER

NO.	PartNo.	Q'TY	PART NAME	NO.	PartNo.	Q'TY	PART NAME
1	C2402500000	1	AXLE FRT WHEEL	12	P140B330000	1	VALVE
2	P14010100001	1	SPACER	13	C2566002000	1	METER GEAR ASSY
3	96520620100	2	ONE SHIELD BALL BEARING	14	95574052600	1	OIL SEAL
4	P5402400000	1	SPACER ASSY.	15	92171800000	1	C CLIP
5	E1403512000	3	SCREW, FR BRAKE DISK	16	92141900001	1	PLAIN WASHER
6	C240C5020002	1	BRAKE DISC,FR(190MM)	17	P1566050000	1	PAD
7	95572235700	1	OIL SEAL, TC TYPE	18	P0566040000	1	SPEEDMETER GEAR
8	C140C160000	1	EXHAUSED NUT	19	92141900002	1	PLAIN WASHER
9	C24011061E00	1	FR WHEEL ASSY, blackjack red	20	92061200001	1	LOCK NUT
9	C24011061S00	1	FR WHEEL ASSY, pamplona	21	C2403303000	1	CALIPER, FR BRAKE
9	C24011064300	1	FR WHEEL ASSY, st. tropez	22	C240C2300000	1	brakes-thin comp
9	C24011053K00	1	FR WHEEL ASSY, italia	24	C140C141000	2	SIDE PIN
9	C24011077700	1	FR WHEEL ASSY, silver	25	C140C330000	1	YOKE SPRING
9	C24011076D00	1	FR WHEEL ASSY, psycho black	26	C140C040000	1	WATERPROOF RING
10	90190804002	2	HEXAGON FLANGE BOLT (M8*40L)	27	C140C030000	1	OIL SEAL RING
				28	C140C060000	1	EXHAUSTED SCREW

Table - F6 WINDSHIELD , INNER FRONT COVER

NO.	PartNo.	Q'TY	PART NAME	NO.	PartNo.	Q'TY	PART NAME
1	SEE PAGE 1	1	WINDSHIELD SEE PAGE ONE DIAGRAM	18	SEE PAGE 1	1	COVER, FRT LOWER SEE PAGE 1 DIAGRAM
2	SEE PAGE 1	1	FRONT INNER COVER, UPPER	19	90040601601	2	C-R MACHINE HD,TAPPING SCREW M6*16L
3	SEE PAGE 1	1	FRONT INNER COVER LOWER	20	SEE PAGE 1	1	FRONT PANEL INNER COVER see Diagram P 1
4	P5701211650	1	FRONT HOOK BLACK	21	E1701040000	4	SCRIVET COMP
4	P57012113L0	1	FRONT HOOK ITALIA	22	90130501400	6	C-R MACHINE HD,TAPPING SCREW M5*14L
4	P57012112N0	1	FRONT HOOK SUNSET	23	92140600005	2	PLAIN WASHER
4	P57012111U00	1	FRONT HOOK PAMPLONA				
4	P57012111Q0	1	FRONT HOOK LIGHT PINK				
4	P57012114400	1	FRONT HOOK ST. TROPEZ				
4	P57012112Q0	1	FRONT HOOK BROWN				
4	P57012111R0	1	FRONT HOOK POTENT PINK				
4	P57012112800	1	FRONT HOOK MOCHA				
4	P57012113V00	1	FRONT HOOK OXFORD GREEN				
5	90040601601	1	C-R MACHINE HD, TAPPING SCREW M6*16L				
6	SEE PAGE 1	1	IN COVER SEE PAGE 1 FOR COLORS				
7	P566C0100003	1	POSITION LAMP, LH (WHITE)				
8	90110401200	16	C-R RECESS PAN HD. TAPPING SCREW				
9	P566C0200003	1	POSITION LAMP COVER, LH (WHITE)				
11	98211210990	2	BULB SIGNAL (ORANGE) 12V/10W				
12	P566C050000	4	C-R RECESS PAN HD TAPPING SCREW				
13	C2621010000	1	CHROME WINDSHIELD PANEL				
13	C26210106800	1	WINDSHIELD PANEL , psycho black				
14	P566D0100003	1	POSITION LAMP , RH (WHITE)				
15	P566D0200003	1	POSITION LAMP COVER, RH (WHITE)				
17	E1621010000	1	SCREW WITH WASHER				

F7 Step Floor, Battery Buddy 150

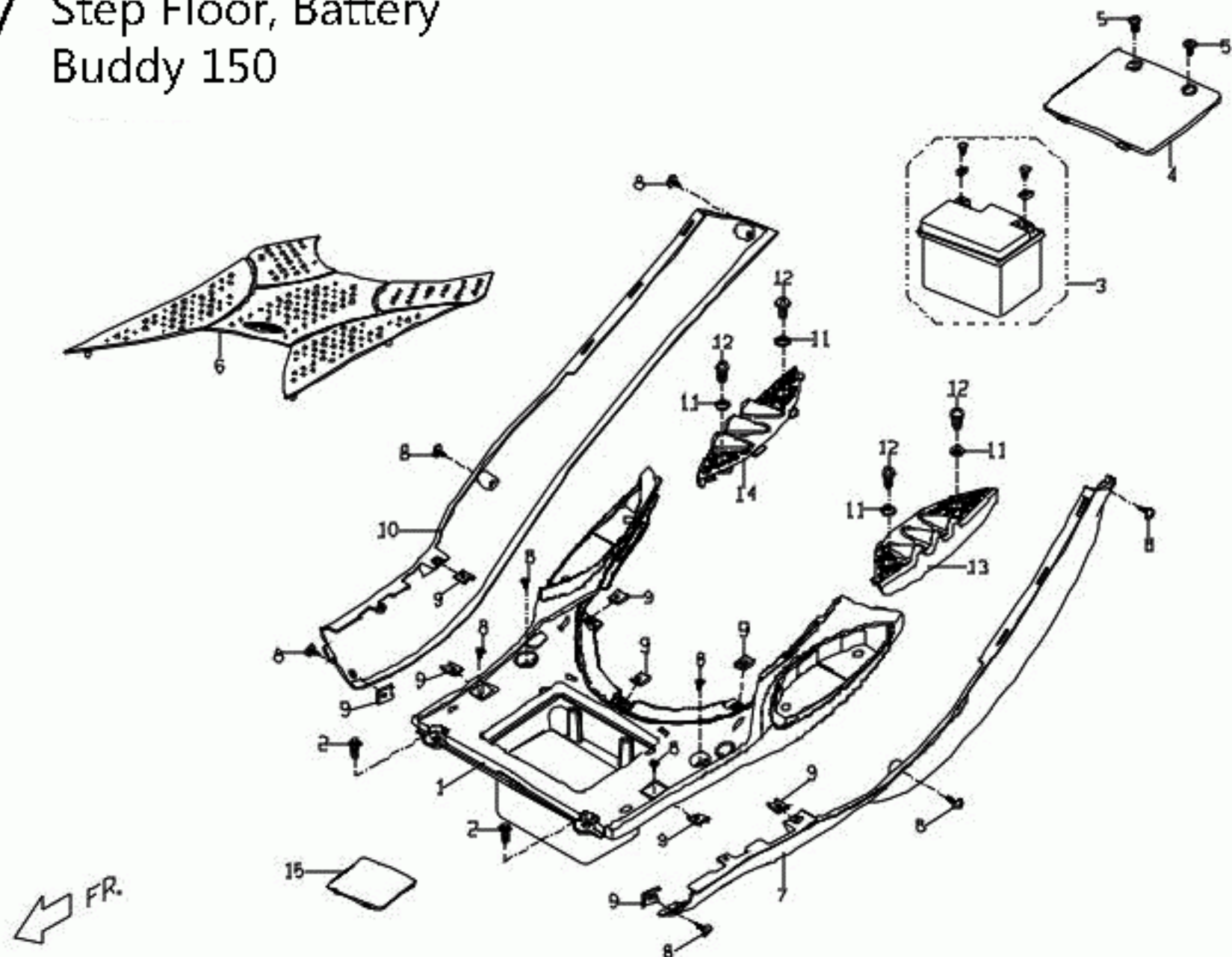


Table - F7 STEP FLOOR, BATTERY

NO.	PartNo.	Q'TY	PART NAME
1	SEE PAGE 1	1	STEP FLOOR, DIAGRAM PAGE 1
2	90200602500	4	SCREW WITH WASHER
3	C2583000000	1	BATTERY
4	C2624031650	1	BATTERY COVER ALL
5	90130501401	2	C-R RECESS PAN HD. TAPPING
6	SEE PAGE 1	1	MAT FLOOR SEE DIAGRAM PAGE 1
7	SEE PAGE 1	1	LH SIDE COVER SEE DIAGRAM PAGE 1
8	90150501602	10	C-R RECESS PAN HD. TAPPING
9	92370500003	9	U TYPE SPRING NUT
10	SEE PAGE 1	1	RH SIDE COVER SEE DIAGRAM PAGE 1
11	92140600018	4	WASHER
12	90040602200	4	CR PAN HD MACHINE SCREW(M6*22L
13	C26240217701	1	STEP PLATE,LH REAR, silver
14	C262D0217701	1	STEP PLATE,RH REAR, silver

Table - F8 BODY COVER, BODY COVER FRT, LUGGAGE

NO.	Part No.	QTY	PART NAME	NO.	Part No.	QTY	PART NAME
1	SEE PAGE 1	1	BODY COVER, LH FRONT, see Diagram page 1	22	98211210990	2	BULB, SIGNAL (ORANGE) 12V/10W
2	SEE PAGE 1	1	BODY COVER, RH FRONT, see Diagram page 1	23	90110401200	1	CR PAN HD TAPPING SC
3	90150501602	11	C-R RECESS PAN HD. TAPPING				
4	SEE PAGE 1	1	MIDDLE COVER, see Diagram page 1				
5	SEE PAGE 1	1	LH BODY COVER, see Diagram page 1				
6	SEE PAGE 1	1	RH BODY COVER, see Diagram page 1				
7	92370500003	7	U TYPE SPRING NUT				
8	92040800000	1	HEXAGON FLANGE NUT				
9	P566G0110002	1	LH/REAR SIGNAL LAMP COMP.				
10	P566G0200002	1	SIGNAL LAMP COVER LH REAR				
11	P566H0110002	1	RH/REAR SIGNAL LAMP COMP.				
12	P566H0200002	1	SIGNAL LAMP COVER RH REAR				
13	90110401200	4	CR PAN HD TAPPING SC				
14	SEE PAGE 1	1	REAR COVER, SEE DIAGRAM PAGE 1				
15	SEE PAGE 1	1	RR LUGGAGE BRACKET,see Diagram P1				
16	90190802000	2	HEXAGON FLANGE BOLT(M8*20L)				
17	P66256010000	1	LH REAR TS,INNER COVER chrome 2010and older				
17	P66256000002	1	LH REAR TS,INNER COVER chrome 2011>				
17	P66256006803	1	LH REAR TS,INNER COVER psycho black				
18	P6676010000	1	RR LUGGAGE BRACKET COVER BLACK				
19	P6625F010000	1	RH REAR TS ,INNER COVER chrome 2010and older				
19	P662E6000002	1	RH REAR TS ,INNER COVER chrome 2011>				
19	P662E6006803	1	RH REAR TS, INNER COVER psycho black				
20	90040601403	2	C-R PAN HD. MACHINE SCREW				
21	90130501401	2	C-R RECESS PAN HD. TAPPING				

Table - F9 SEAT, LUGGAGE, TAIL LIGHT

NO.	PartNo.	Q'TY	PART NAME
1	P66710000007	1	SEAT ASSY, black
1	P66710000008	1	SEAT ASSY, white
1	P66710000009	1	SEAT ASSY, brown
1	P6671000000C	1	SEAT ASSY, Italia
1	P6671000000D	1	SEAT ASSY, St. tropez
1	P6671000000E	1	SEAT ASSY., pamplona
1	P66710010009	1	SEAT ASSY, brown
2	C1681060000	1	BRACKET, LUGGAGE
3	C1681070000	1	SPECIAL BOLT
4	92040600000	2	HEXAGON FLANGE NUT (M6*1.0P)
6	90190601502	4	HEXAGON FLANGE BOLT(M6*15L)
7	P6701030000	1	TOOL SET CLIP
7	P6706540000	1	TOOL SET
11	C1701180000	1	TOOL KIT
12	P668A020000	1	BOTTOM COVER,RACK
13	92370500003	1	U TYPE SPRING NUT
14	90150501601	1	CR TRUSS HD TAPPING SCREW(M5*16L)
15	P6701030000	1	TOOL SET CLIP
16	P56660000002	1	REAR TAIL LAMP ASSY
16	P66660000000	1	REAR TAIL LAMP ASSY (LED)
18	98311218050	1	BULB(21/5W) (NON LED ONLY)
19	P566F010000	1	TAIL LAMP COVER (NON LED ONLY)
20	P566F050000	2	CR ROUND MACHINE SCREW
21	P66810040000	1	LUGGAGE COMPARTMENT

Table - F10 LICENSE PLATE, REFLECTOR LICENSE LAMP

NO.	PartNo.	Q'TY	PART NAME	NO.	PartNo.	Q'TY	PART NAME
1	SEE PAGE 1	1	LICENSE PLATE, see Diagram Page 1	18	90110401200	1	C-R PAN HEAD TAPPING SCREW M4*12L
2	92370500003	2	U TYPE SPRING NUT	19	P6636010650	1	LICENSE PLATE LOWER PART BLACK
3	90150501601	2	CR TRUSS HD TAPPING SCREW(M5*16L)	19	P66360104400	1	LICENSE PLATE LOWER PART St. Tropez
4	90130501401	1	C-R RECESS PAN HD. TAPPING	19	P66360103V00	1	LICENSE PLATE LOWER PART Oxford Grn
5	90040601403	1	C-R PAN HD. MACHINE SCREW	19	P66360103L0	1	LICENSE PLATE LOWER PART Italia
6	92140600018	1	WASHER	19	P66360102Q0	1	LICENSE PLATE LOWER PART Brown
7	E1701040000	2	SPIRAL RIVET	19	P66360102N0	1	LICENSE PLATE LOWER PART Sunset
8	P56690010000	1	REFLECTOR REAR ASSY	19	P66360102800	1	LICENSE PLATE LOWER PART Mocha
9	92020500000	1	HEXAGON NUT (M5*0.8P)	19	P66360101U00	1	LICENSE PLATE LOWER PART Pamplona
10	92140500014	1	PLAIN WASHER	19	P66360101R0	1	LICENSE PLATE LOWER PART Potent Pink
11	P5666900000	1	LICENCE LAMP ASSY.	20	90110401200	3	C-R RECESS PAN HD TAP SCREW M4*12L
12	P566F910000	1	LEN, LICENCE LIGHT	21	C16690000001	2	SIDE REFLECTOR , RED
13	P566F920000	1	SOCKET	22	P5636010000	1	BRACKET, SIDE REFLECTOR
14	P566F930000	1	PACKING	23	92040600000	2	HEXAGON FLANGE BOLT M6*1.0P
15	P566F940000	1	TAPPING SCREW	24	P5708010000	2	PIVOT
16	P566F950000	1	WIRE SET				
17	P566F960000	1	BULB.LICENCE LIGHT 12V-5W				

F11 Fuel Tank Buddy 150

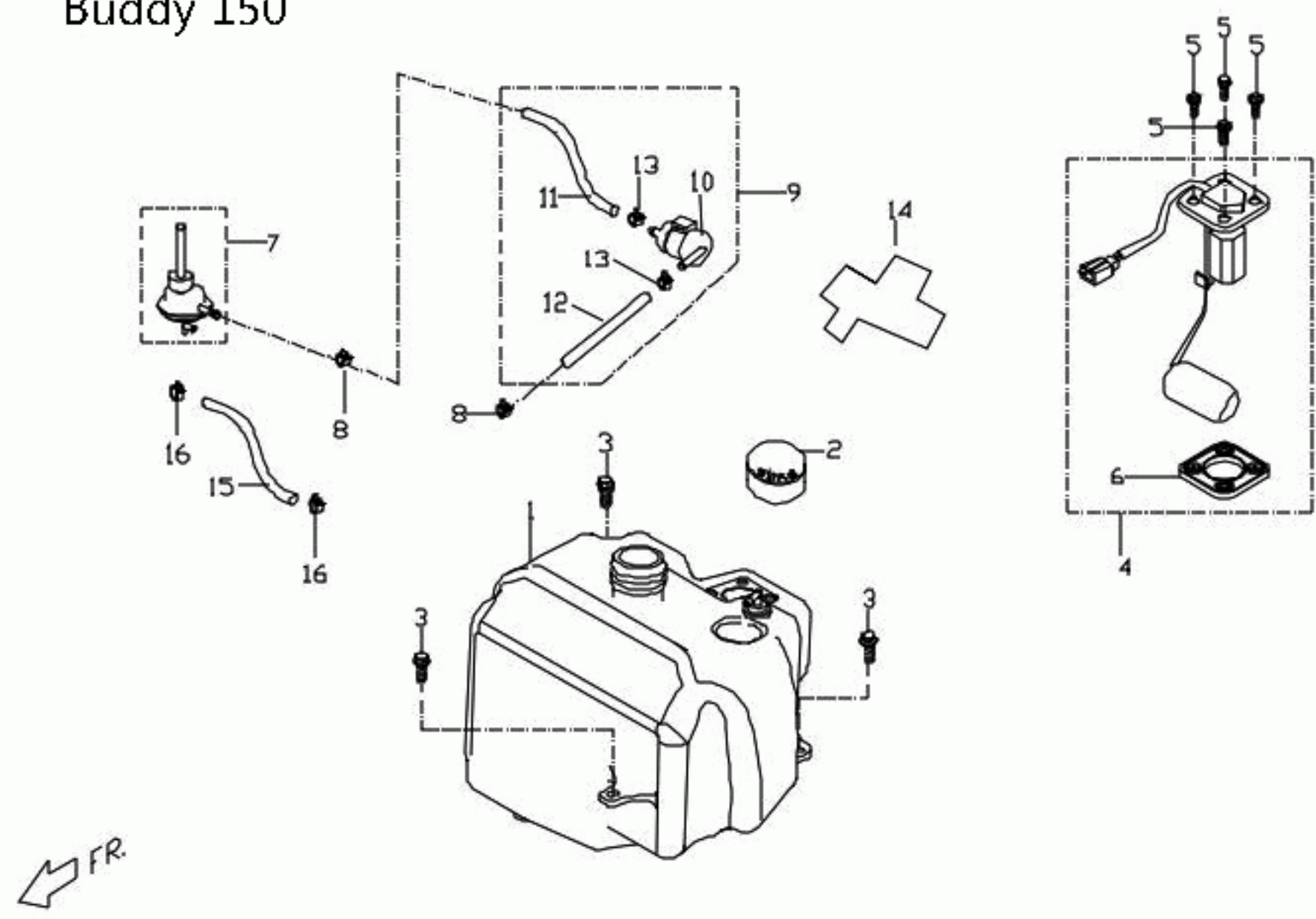


Table - F11 FUEL TANK

NO.	PartNo.	Q'TY	PART NAME
1	P65215000003	1	FUEL TANK IRON 2008 AND NEWER
1	P65215000001	1	FUEL TANK PLASTIC 2006-07 ONLY
2	E1521302000	1	TANK COVER, PLASTIC 2006-07 ONLY
2	E152A3000001	1	TANK COVER IRON TANK 2008 AND NEWER
3	90190601502	3	HEXAGON FLANGE BOLT(M6*15L)
4	P6521700000	1	GAUGE COMP,FUEL 2006-07
4	P65217000001	1	GAUGE COMP,FUEL 2008 AND NEWER
5	90180501600	4	HEXAGON FLANGE BOLT
6	C152A090000	1	FUELLESS PACKING
7	P6523000000	1	AUTO COCK ASSY
8	92220800001	2	BOARD CLAMP
9	P65212000003	1	FUEL FILTER ASSY COMPLETE
10	P65212100001	1	FUEL FILTER COMP.
11	P652A0200003	1	OIL HOSE (A)
12	P652A0300003	1	OIL HOSE (B),
13	92220900001	2	HOSE CLAMP
14	P6706011000	1	BRACKET, FUEL FILTER
15	P65260300001	1	RUBBER HOSE, pa50
16	92220700000	2	BOARD CLAMP

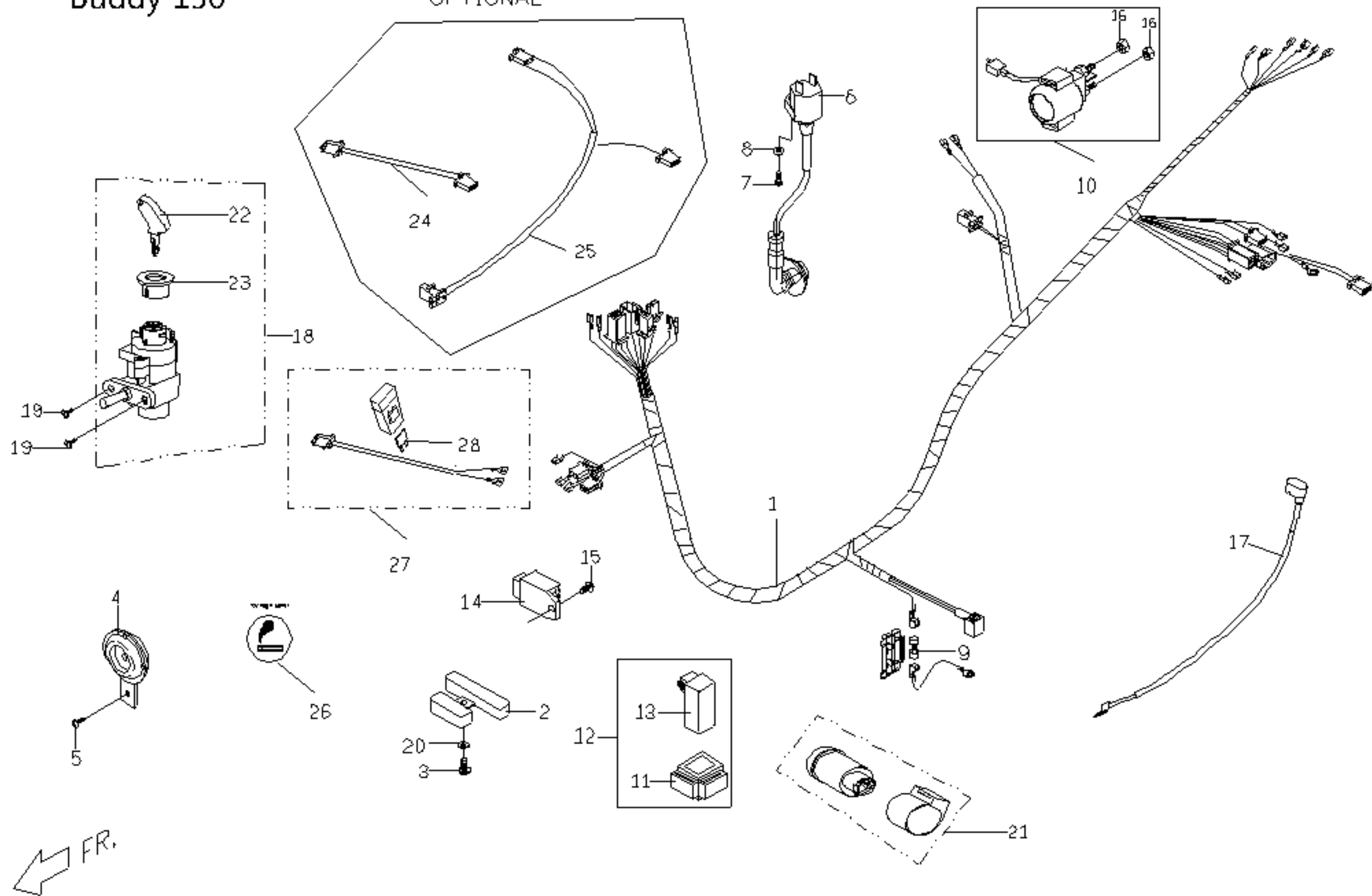
Table - F12 FRAME BUDDY 150

NO.	PartNo.	Q'TY	PART NAME	NO.	PartNo.	Q'TY	PART NAME
1	#N/A	1	FRAME ASSY , PA150	19	P6461002600	1	CENTER STAND COMP(ED)
2	P5671300000	1	SEAT LOCK ASSY	20	C2461010000	2	BUSH
3	P5671121000	1	SEATLOCK LEVER ROPE	21	C1701050000	1	RUBBER DAMPING, CENTER STAND
4	90190601502	2	HEXAGON FLANGE BOLT(M6*15L)	22	P6701020000	1	WATERPROOF CUSHION
5	P6481001100F	1	CUSHION ASSY	23	P64260200005	1	VEHICLE ID NO PLATE
5	P64810021000	1	SUSPENSION ASSY.REAR RED	24	E1461121000	1	SPRING
6	90191004000	1	HEXAGON FLANGE BOLT (M10*1.25P*40L)	25	P6421411600	1	SOCKET, WINDSHIELD
7	90190803201	1	HEXAGON FLANGE BOLT(26	90190601502	2	HEXAGON FLANGE BOLT(M6*15L)
8	P6462000600	1	SIDE STAND COMP.				
9	90020803201	1	HEXIGON HEAD BOLT				
9	90191002800	2	HEXAGON FLANGE BOLT (M10*1.25P				
10	92061000000	1	U TYPE FLANGE NUT(M10*1.25P)				
11	C2462120000	1	SPRING,SIDE STAND				
12	C1486003000	1	ENGINE HANGER COMP				
13	C1486010000	2	PACKING, CUSHION				
14	90191018000	1	HEXANGON FLANGE BOLT				
15	92061000001	1	HEXAGON LOCK NUT (M10*1.25P)				
16	C1486050000	2	RUBBER DAMPING				
17	90191005500	2	HEXAGON FLANGE BOLT (M10*55L)				
18	P64215016001	1	OIL COVER PLATE				

F13 Wire Harness

Buddy 150

OPTIONAL



FR.

Table - F13 WIRE HARENESS

NO.	PartNo.	Q'TY	PART NAME	NO.	PartNo.	Q'TY
1	P65816000008	1	WIRE HARNESS,MAIN	23	P555B020000	1
2	P65866000001	1	RESISTOR(A)	25	M25816600000	1
3	90190601200	1	HEXAGON FLANGE BOLT(M6*1.0P*12L)	26	B5583040000	1
4	P5583600000	1	HORN	27	P25816300000	1
5	90040601403	1	C-R PAN HD. MACHINE SCREW	28	98701201000	1
6	C1584601000	1	COIL COMP			
7	90070502000	1	CR TRUSS HD MACHINE SCREW(M5*20L)			
8	92110500000	1	SPRING LOCK WASHER			
9	C158A020000	1	FUSE			
10	C1581001000	1	STARTER RELAY ASSY			
11	C1701200000	1	RUBBER BRACKET			
12	C1582001000	1	CDI COMP			
14	C1584000000	1	REGULATOR COMP			
15	90190601502	2	HEXAGON FLANGE BOLT(M6*15L)			
16	92030600004	2	HEXAGEON NUT			
17	P6583020000	1	BATTERY (+) LINE			
18	P5552002000	1	IGNITION SWITCH COMP.			
19	90040601601	1	CR PAN HD MACHINE SCREW(M6*16L)			
20	92130600000	1	TEETH TYPE WASHER			
21	C15860000000	1	FLASHER RELAY ASSY			
22	ES55B010000	1	KEY			

BUDDY-150 F15

ATTENTION

- PLEASE WEAR HELMET WHILE RIDING
- FOR SECURITY PLEASE DON'T TAMPER ANY PART
- PLEASE PERFORM THE CHECK AND MAINTENANCE ACCORDING TO PROVISION
- LOADING OF LUGGAGE BOX CAN'T BE MORE THAN 10KG
- DON'T TOUCH EXHAUST PIPE WHILE WARM ENGINE
- BEFORE RIDING PLEASE READ USER MANUAL IN DETAIL

1

**限用無鉛汽油
UNLEADED GAS ONLY**

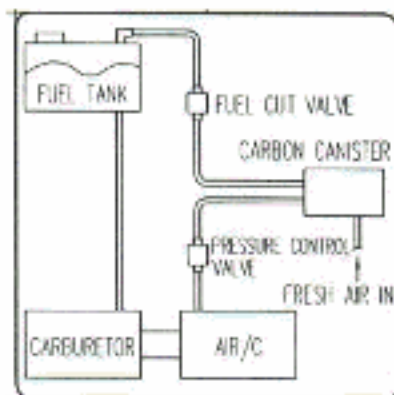
2

In order to let your scooter run smoothly, be sure to change the engine oil at 300 Km for a new scooter and each 1000Km.

3

Buddy
150

4



9



12



13



14



17



5



10



15

THIS VEHICLE IS A LIMITED SPEED MOTORCYCLE AND USE OF THIS VEHICLE MAY BE RESTRICTED BY PROVINCIAL AUTHORITIES TO CERTAIN ROADS.
CE VEHICULE EST UNE MOTOCYCLETTA A VITESSE LIMITATA ET L'UTILIZAZIONE DI CE VEHICULE PUO' ESSERE RESTRINTE A CERTAINES ROUTES PAR LES GOUVERNEMENTS PROVINCIAUX.

6

WARNING

- This socket is for temporary charging purpose only. Maximum output current is 1A.
- Use this socket under Key-On position only when engine is running - do not use the socket when the engine is NOT running.
- Use the fuse with the same specification as the factory setting. (12V1A).
- Fuse is located at the back of the socket.

7



11



16

Table - F15 EMBLEMS, LOGO,LABELS BUDDY-150

NO.	PartNo.	Q'TY	PART NAME
1	C16030010001	1	NOTICE ADHSIVE LABEL , ECR-C 98024
2	C1603020000	1	STICKER, FUEL TYPE
3	C16030120001	1	OIL CHANGE LABEL , ECR-P
4	P66015800000	3	Buddy 150 PAPER
5	P66014000000	1	GENUINE LOGO STICKER
6	C1603070000	1	TIRE INFORMATION PAPER
7	P26031100000	1	WARNING LABEL,SOCKET
9	P6603010000	1	E.E.C MARK STICKER
10	P66015400000	3	BUDDY- PAMPLONA STICKER
11	P66015500000	1	USA "F" STICKER
12	P6601A900000	1	MADE IN TAIWAN STICKER
13	P66015300000	1	BUDDY- ST. TROPEZ STICKER
14	P66015600000	1	"E" STICKER
15	P66014700000	1	BUDDY-ITALIA STICKER
16	P66015700000	1	USA "I" STICKER
17	P66019210000	3	BLACK JACK STICKER

F16 E.E.C. System Buddy 150

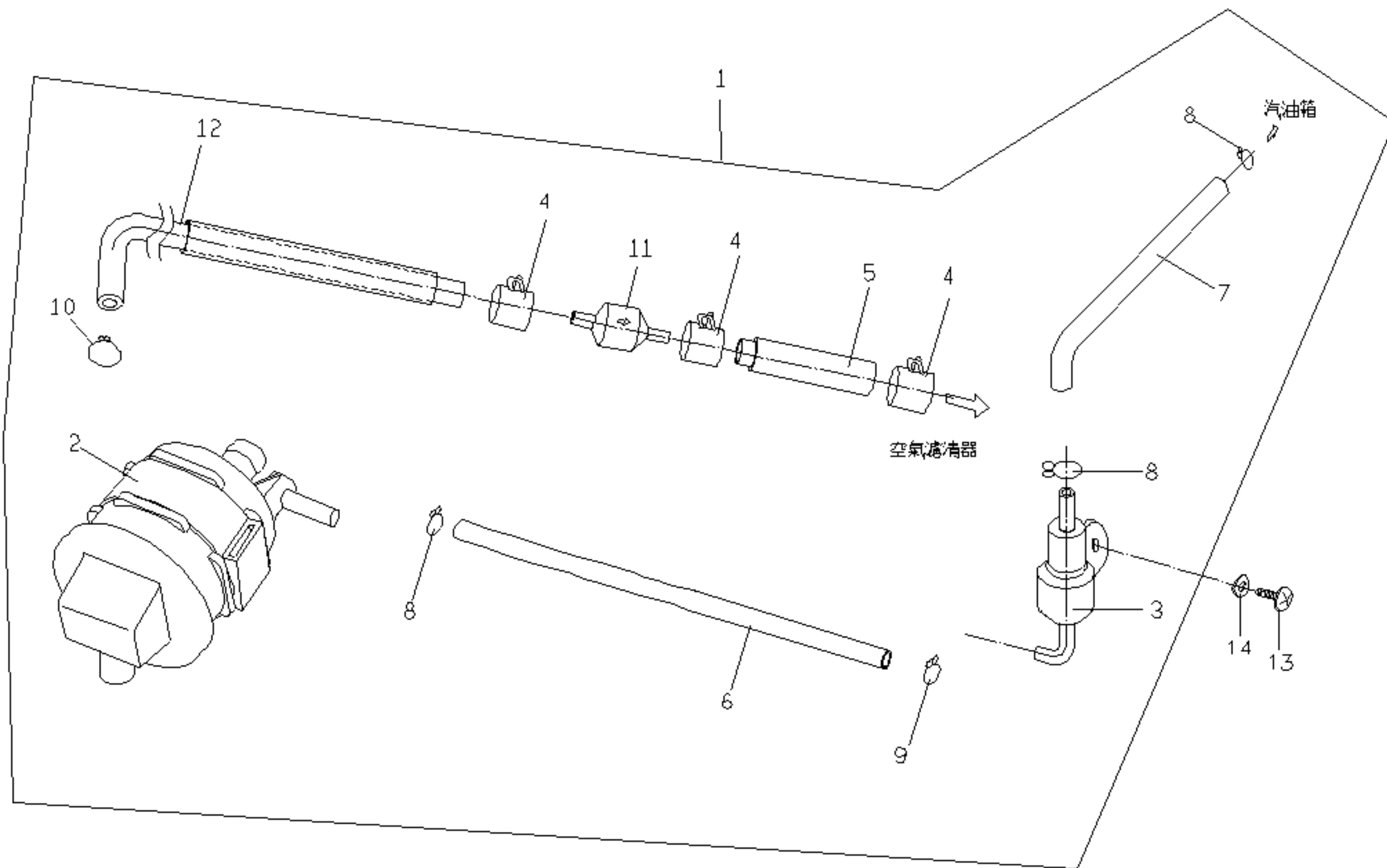


Table - F16 EEC SYSTEM

NO.	PartNo.	Q'TY	PART NAME
1	P6524001000	1	E.E.C SYSTEM
2	P6524010000	1	ACTIVE CARBON CAN
3	P6524010000	1	CUTTING VALVE,SPILL OIL
4	C152D060000	3	PLATE CLIP
5	P6524031000	1	RUBBER HOSE
6	C2524050000	1	RUBBER HOSE
7	C2524060000	1	RUBBER HOSE
8	P552D080000	3	CLIP
9	C152D050000	1	CLIP
10	P552D070000	1	CLIP
11	P6524120000	1	PRESS VALVE
12	C2524060000	1	RUBBER HOSE
13	90040601000	1	CR TRUSS HD MACHINE SCREW(M6*10L)
14	92140600018	1	WASHER