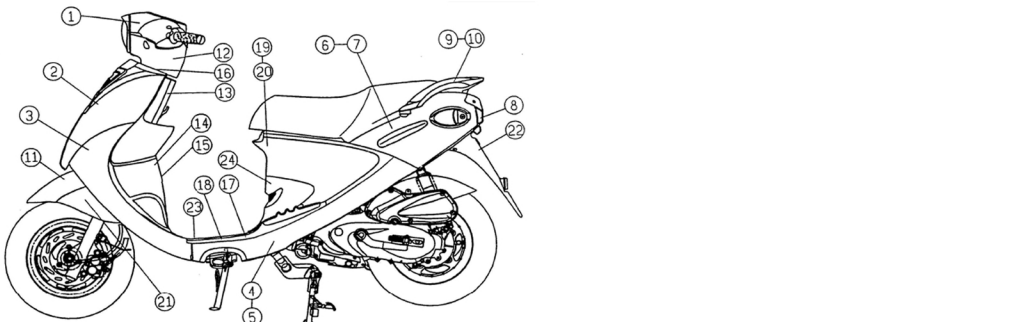


Buddy 170i Table of Contents

Table	System	Page
Page 1	Body Panels	2
E1	Crankcase	3
E2	Left Hand Side Cover	5
E3	Cylinder Head	7
E4	Cylinder , Piston, Crankshaft	9
E5	Right Crankcase Cover	11
E6	Injection System	13
E7	Driven Pulley	15
E8	Fan Cover, Generator	17
E9	Starting Motor, Oil Pump	19
E10	Gear, Transmission	21
E11	Air Cleaner	23
E12	Muffler	25
E13	Rear Wheel	27
E14	Oil Cooler	29

Table	System	Page
F1	Headlight , Steering Handle	31
F2	Speedometer	33
F3	Cable, Switches	35
F4	Fork, Front Fender	37
F5	Front Wheel , Caliper	39
F6	Windshield, Inner Cover	41
F7	Step Floor , Side Cover, Battery	43
F8	Body Cover, Luggage Bracket	45
F9	Seat, Under Seat, Tail Light	47
F10	License Plate, Reflectors, Light	49
F11	Fuel Tank	51
F12	Frame	53
F13	Wire Harnes, Electrical, Ignition	55
F14	Main Stand , Side Stand	57
F15	Stickers, Logos, Emblems	59
F16	E.E.C. System	61



UPDATED 17.OCT.2014

BUDDY 50/125/150/170

Name/Color	2014 RIOT	ALL ITALIA	2008> RED	2008> LIGHT BLUE	ALL SANTROPEZ	ALL PAMPOLNA	BRIT 2014>	2008> BLACK	2014> ROYAL BLUE	2008> ORANGE	2008> SEA FOAM
1. HANDLE UPPER COVER	P66130017R02	P66130013K02	P66130011I02	P66130014202	P66130014302	P66130011502	P66130014J02	P66130016902	P66130014I02	P66130012T02	P66130013N02
1A. 2008 HANDLE UPPER COVER SMALL	NA	NA	NA	NA	NA	NA	NA	P561300069N	NA	NA	NA
2. WINDSHIELD	P66210037R00	P6621003K00	P66210011I00	P66210014200	P66210014300	P66210011500	P66210034J00	P66210006900	P66210034I00	P66210012T00	P66210013N00
3. FRT LOWER COVER	P56260137R00	P56260133I00	P56260131I00	P56260134200	P56260137U00	P56260132U00	P56260137500	P56260136900	P56260134I00	P56260132T00	P56260133N00
4. LH SIDE COVER	P66263007R00	P6626300J00	P6626300I00	P66263004200	P66263007U00	P66263002U00	P66263007500	P66263006900	P66263004I00	P66263002T00	P66263003N00
5. RH SIDE COVER	P66265007R00	P6626500K00	P6626500I00	P66265004200	P66265007U00	P66265002U00	P66265007500	P66265006900	P66265004I00	P66265002T00	P66265003N00
6. LH BODY COVER	P66253047R00	P6625301K00	P66253011I00	P66253014200	P66253014300	P66253011500	P66253044J00	P66253016900	P66253044I00	P66253012T00	P66253013N00
7. RH BODY COVER	P66255027R00	P6625501K00	P66255011I00	P66255014200	P66255014300	P66255011500	P66255024J00	P66255016900	P66255024I00	P66255012T00	P66255013N00
8. REAR COVER	P662657017R00	P66265700K00	P66265700I00	P662657004200	P662657004300	P662657001500	P662657014J00	P662657006900	P662657014I00	P662657002T00	P662657003N00
9. RR LUGGAGE BRACKET	P66760026800	P66760007I00	P66760007I00	P66760007I00	P66760007I00	P66760007I00	P66760007500	P66760006800	P66760007I00	P66760007I00	P66760007I00
10. RR LUGGAGE COVER	P66760100000	P66760100000	P66760100000	P66760100000	P66760100000	P66760100000	P66760100000	P66760100000	P66760100000	P66760100000	P66760100000
11.1. FRT SECTION,FRT FENDER(50cc)	P56320017R00	P56320003J00	P56320001I00	P56320004200	P56320004400	P56320002U00	P56320017500	P56320006900	P56320014I00	P56320002T00	P56320003N00
11.2. FRT SECTION,FRT FENDER(125/150/170)	P66320007R00	P66320003J00	P66320001I00	P66320004200	P66320007U00	P66320002U00	P66320007500	P66320006900	P66320004I00	P66320002T00	P66320003N00

BUDDY 50/125/150/170

12. HANDLE LOWER COVER	P66140016502	P66140013I02	P66140016502	P66140016502	P66140024402	P66140021U02	P66140016502	P66140016502	P66140016502	P66140016502	P66140016502
12.A. 2008 HANDLE LOWER COVER SM	NA	NA	NA	NA	NA	NA	NA	P561D0006500	NA	NA	NA
13.1 UPPER SECTION,(W/ CHARGING SEAT)	P5623030650	P56230303I01	P5623030650	P5623030650	P56230304401	P56230301U01	P5623030650	P5623030650	P5623030650	P5623030650	P5623030650
14.2 LOWER SECTION,(W/H MFG PLATE)	P562C0406500	P562C0403I00	P562C0406500	P562C0406500	P562C0404400	P562C0401U00	P562C0406500	P562C0406500	P562C0406500	P562C0406500	P562C0406500
15. VIN COVER	P5623010650	P56230103I01	P5623010650	P5623010650	P56230104400	P56230101U00	P5623010650	P5623010650	P5623010650	P5623010650	P5623010650
16.FRT PANEL,INNER COVER	P5623020650	P56230203I01	P5623020650	P5623020650	P56230204400	P56230201U00	P5623020650	P5623020650	P5623020650	P5623020650	P5623020650
17. STEPFLOOR	P6624001650	P66240013I01	P6624001650	P6624001650	P66240024400	P66240021U00	P6624001650	P6624001650	P6624001650	P6624001650	P6624001650
18. BATTERY COVER	C2624031650	C2624031650	C2624031650	C2624031650	C2624031650	C2624031650	C2624031650	C2624031650	C2624031650	C2624031650	C2624031650
19. BODY COVER,LH FRT	P662E010650	P662E0103I01	P662E010650	P662E010650	P662E0104400	P662E0101U00	P662E010650	P662E010650	P662E010650	P662E010650	P662E010650
20. BODY COVER,RH FRT	P662E020650	P662E0203I01	P662E020650	P662E020650	P662E0204400	P662E0201U00	P662E020650	P662E020650	P662E020650	P662E020650	P662E020650
21.1.RR SECTION, FRT FENDER(50cc)	P5632600650	P56326003I00	P5632600650	P5632600650	P56326004400	P56326001U00	P5632600650	P5632600650	P5632600650	P5632600650	P5632600650
21.2.RR SECTION, FRT FENDER(125/150/170)	C2632601000	C26326013I01	C2632601000	C2632601000	C26326014400	C26326011U00	C2632601000	C2632601000	C2632601000	C2632601000	C2632601000
22. LICENCE PLATE	P5636003650	P56360033I01	P5636003650	P5636003650	P56360034400	P56360031U00	P5636003650	P5636003650	P5636003650	P5636003650	P5636003650
23. MAT FLOOR	P66245010000	P66245010002	P66245010000	P66245010000	P66245010003	P66245010004	P66245010000	P5636003650	P5636003650	P66245010000	P66245010000
24. MIDDLE COVER	P6625010650	P66250103I01	P6625010650	P6625010650	P66250104400	P66250101U00	P6625010650	P6625010650	P6625010650	P6625010650	P6625010650

BUDDY 50/125/150/170

Name/Color	2008> WHITE	2009 BLACK JACK	2012 PSYCHO	BUDDY 170 MATTE BLACK	2012/13 NEW PINK	BUDDY 170 OXFORD GREEN	BUDDY 170 MOCHA / CRÉME	BUDDY 170 ZEPHYR SILVER	2006/2007 CREAM	2006>2009 PINK	Lt.	2006/2007 SUNSET
1. HANDLE UPPER COVER	P66130017I02	P66130016802	P66130016802	P66130016802	P66130011A02	P66130013U02	P66130014202	P66130017I02	P66130012M02	P66130011Q02		P66130012N02
1A. 2008 HANDLE UPPER COVER SMALL	NA	NA	NA	NA	NA	NA	NA	NA	P56130006900	P56130001Q00		P56130002N00
2. WINDSHIELD	P66210027I00	P66210026800	P66210026800	P66210036800	P66210031A00	P66210033U00	P66210032400	P66210037I00	P56130002M00	P66210001I00		P66210002N00
3. FRT LOWER COVER	P56260137I00	P56260136800	P56260136800	P56260136800	P56260131A00	P56260133U00	P56260132500	P56260137I00	P56260132M00	P56260131Q00		P56260132N00
4. LH SIDE COVER	P66263007I00	P6626300J000	P6626300J000	P6626300I000	P66263001A00	P66263003U00	P66263002U00	P66263007I00	P66263002M00	P66263001I00		P66263002N00
5. RH SIDE COVER	P66265007I00	P6626500K000	P6626500K000	P66265006800	P66265001A00	P66265003U00	P66265002500	P66265007I00	P66265002M00	P66265001Q00		P66265002N00
6. LH BODY COVER	P66253047I00	P66253016800	P66253016800	P66253046800	P66253041A00	P66253043U00	P66253042400	P66253047I00	P66253042M00	P66253041I00		P66253042Q00
7. RH BODY COVER	P66255017I00	P66255016800	P66255016800	P66255026800	P66255021A00	P66255023U00	P66255022400	P66255017I00	P66255012M00	P66255011Q00		P66255012Q00
8. REAR COVER	P66265700I00	P662657006800	P662657006800	P662657016800	P662657011A00	P662657013U00	P662657012400	P66265700I00	P662657002M00	P662657001I00		P662657002N00
9. RR LUGGAGE BRACKET	P6676002I000	P66760006800	P66760006800	P66760026800	P66760007I00	P66760007I00	P66760007I00	P66760007I00	P66760002M00	P66760007I00		P66760007I00
10. RR LUGGAGE COVER	P66760100000	P66760100000	P66760100000	P66760100000	P66760100000	P66760100000	P66760100000	P66760100000	P66760100000	P66760100000		P66760100000
11.1. FRT SECTION,FRT FENDER(50cc)	P56320007I00	NA	NA	NA	P56320011A00	NA	NA	NA	P56320002M00	P56320001Q00		P56320002N00
11.2. FRT SECTION,FRT FENDER(125/150/170)	P66320007I00	P66320006800	P66320006800	P66320006800	P66320001A00	P66320003U00	P66320002500	P66320007I00	P66320002M00	P66320001Q00		P66320002N00

BUDDY 50/125/150/170

12. HANDLE LOWER COVER	P66140016502	P66140016502	P66140016502	P66140016502	P66140016502	P66140043V02	P66140042802	P66140016502	P66140016502	P66140011R02		P66140012Q02
12.A. 2008 HANDLE LOWER COVER SM	NA	NA	NA	NA	NA	NA	NA	NA	P561D0006500	P561D0001Q00		P561D0002Q00
13.1 UPPER SECTION,(W/ CHARGING SEAT)	P5623030650	P5623030650	P5623030650	P5623030650	P5623030650	P56230313V00	P56230312801	P5623030650	P5623030650	P56230301R00		P56230302Q00
14.2 LOWER SECTION,(W/H MFG PLATE)	P562C0406500	P562C0406500	P562C0406500	P562C0406500	P562C0406500	P562C0413V00	P562C0412800	P562C0406500	P562C0406500	P562C0401R00		P562C0402Q00
15. VIN COVER	P5623010650	P5623010650	P5623010650	P5623010650	P5623010650	P56230113V00	P562301112800	P5623010650	P5623010650	NA		P56230102Q00
16.FRT PANEL,INNER COVER	P5623020650	P5623020650	P5623020650	P5623020650	P5623020650	P56230213V00	P56230212800	P5623020650	P5623020650	P56230201R00		P56230202Q00
17. STEPFLOOR	P6624001650	P6624001650	P6624001650	P6624001650	P6624001650	P66240033V00	P66240032800	P6624001650	P6624001650	P66240011R00		P66240012Q00
18. BATTERY COVER	C2624031650	C2624031650	C2624031650	C2624031650	C2624031650	C2624031650	C2624031650	C2624031650	C2624031650	C2624031650		C2624031650
19. BODY COVER,LH FRT	P662E010650	P662E010650	P662E010650	P662E010650	P662E010650	P662E0103V00	P662E0102800	P662E010650	P662E010650	P662E0101R00		P662E0102Q00
20. BODY COVER,RH FRT	P662E020650	P662E020650	P662E020650	P662E020650	P662E020650	P662E0203V00	P662E0202800	P662E020650	P662E020650	P662E0201R00		P662E0202Q00
21.1.RR SECTION, FRT FENDER(50cc)	P5632600650	NA	NA	NA	P56340006501	NA	NA	NA	P5632600650	P56326001R00		P56326002Q00
21.2.RR SECTION, FRT FENDER(125/150/170)	C2632601000	C2632601000	C2632601000	C2632601000	C2632601000	C26326023V00	C26326022800	C2632601000	C2632601000	C26326011Q00		C26326012Q00
22. LICENCE PLATE	P5636003650	P5636003650	P5636003650	P5636003650	P5636003650	P56360033V00	P56360032800	P5636003650	P5636003650	P56360031R00		P56360032Q00
23. MAT FLOOR	P66245010000	P66245010000	P66245010000	P66245010000	P66245010000	P66245010000	P66245010000	P66245010000	P66245010000	P662450101R00		P662450102Q00
24. MIDDLE COVER	P6625010650	P6625010650	P6625010650	P6625010650	P6625010650	P66250113V00	P662501112800	P6625010650	P6625010650	P66250101R00		P66250102Q00

E1 Crankcase Buddy 170i

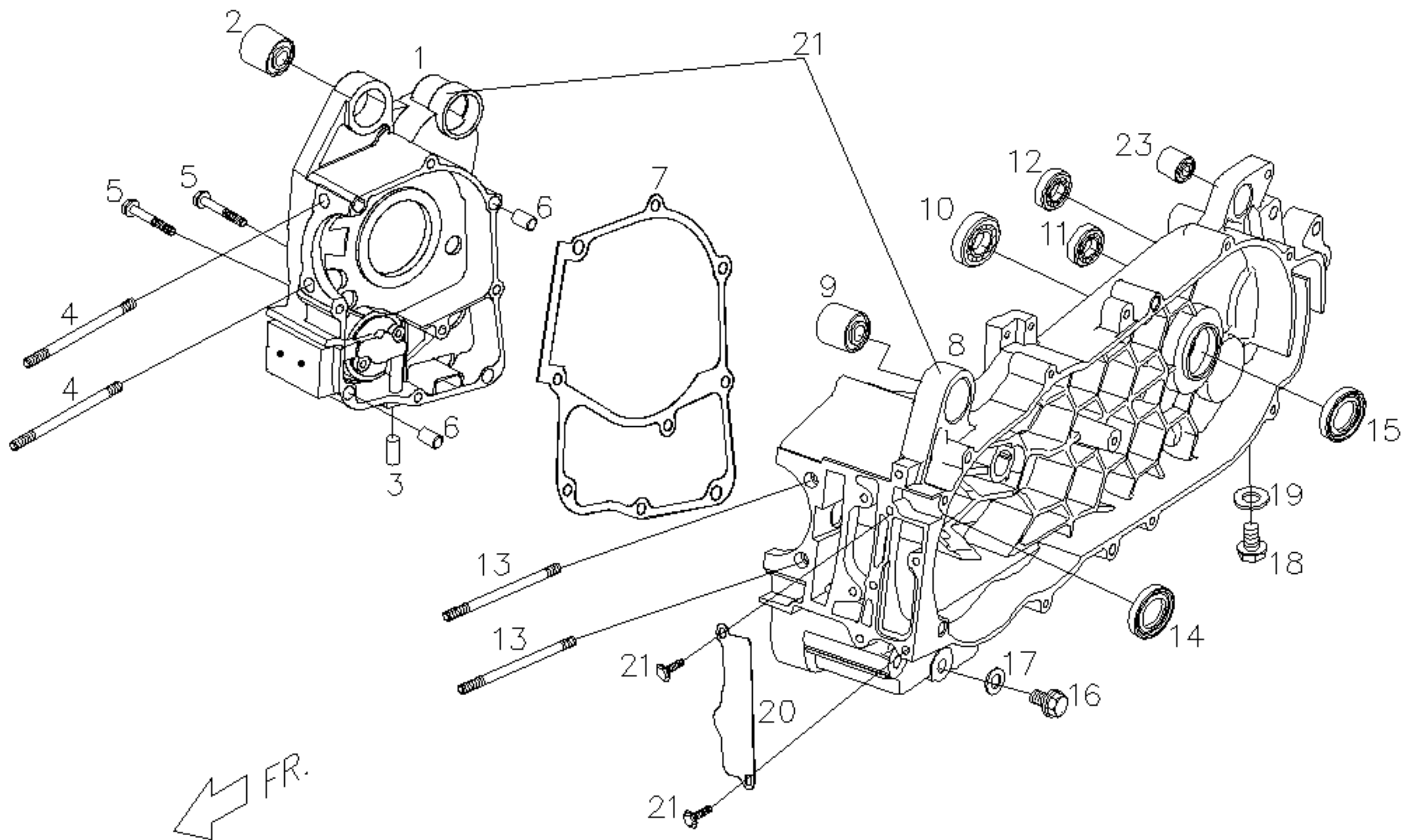


Table- E1 CRANKCASE

NO.	PartNo.	Q'TY	PART NAME
1	N/A	1	CRANKCASE, RH
2	E1061020000	1	BUSH, QUAKEPROOF
3	G1061070000	1	OIL PLUG
4	90170818800	2	STUD BOLT
5	90190605003	2	HEXANGON FLANGE BOLT
6	93540801400	2	LOCK PIN
7	C5061041000	1	Crankcase Gasket
8	N/A	1	CRANKCASE LEFT
9	E1061020000	1	BUSH, QUAKEPROOF
10	96510620407	1	DEEP GROOVE BALL BEARING
11	96510620200	1	BALL BEARING
12	96510620301	1	BALL BEARING
13	90170819500	2	STUD BOLT
14	95572232601	1	OIL SEAL, TC TYPE
15	95572032601	1	OIL SEAL TC TYPE(SD20) 19.8 32 6
16	90181201501	1	HEXIGON HEAD BOLT FLANGE
17	92141200006	1	WASHER
18	90190801202	1	HEXAGON FLANGE BOLT (M8*12L)
19	92140800001	1	WASHER (8*1.6T)
20	C1286320000	1	PLATE, 2ND AIR COVER
21	N/A	1	CRANKCASE ASSY.RH/LH
23	P1062020000	1	BUSH, QUAKEPROOF

E2 Left Hand Side Cover Buddy 170i

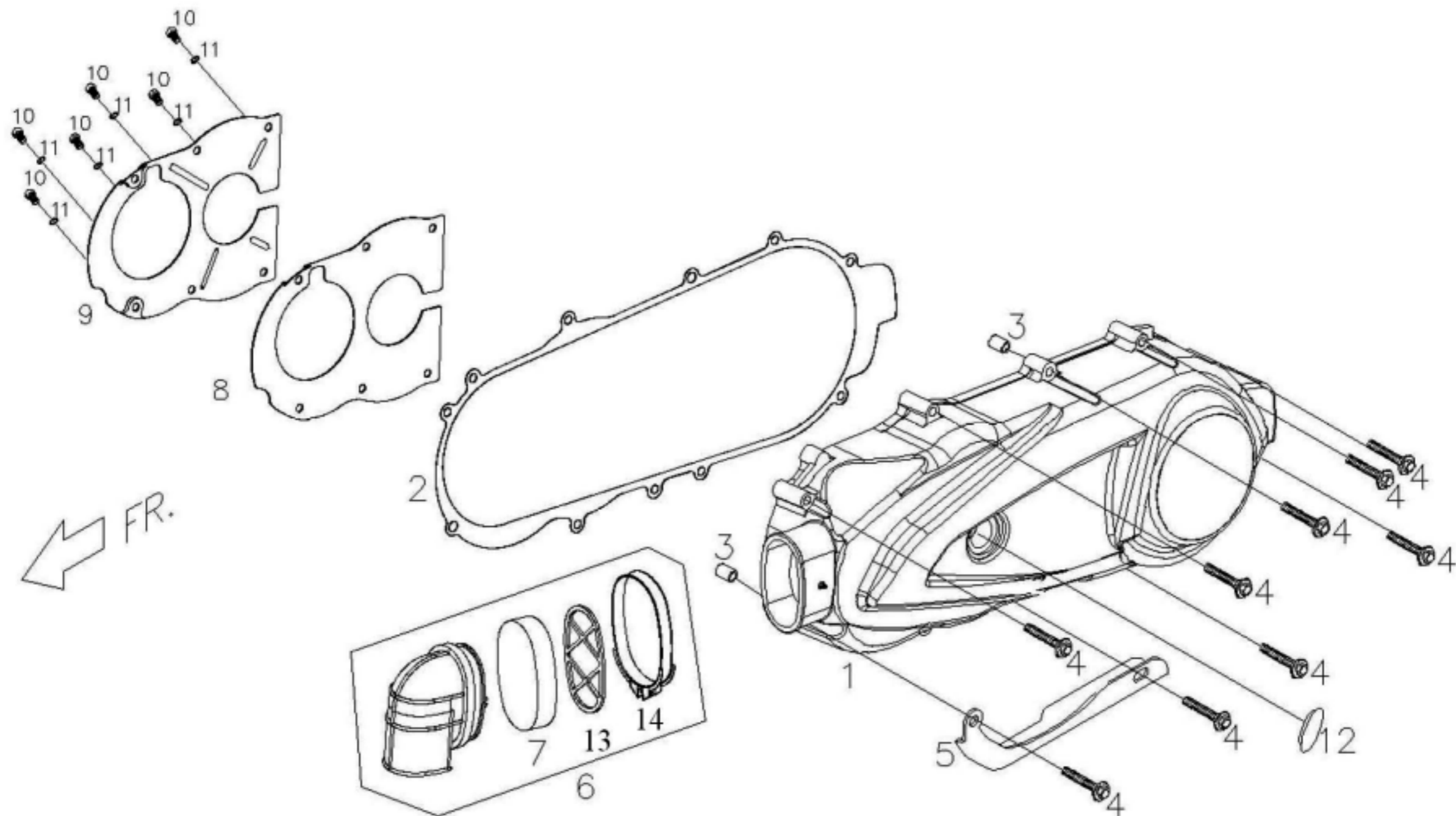


Table- E2 LEFT SIDE COVER

NO.	PartNo.	Q'TY	PART NAME
1	C2063012720	1	LH., SIDE COVER SILVER
1	C20630106D06	1	LH., SIDE COVER BLACK
2	C2063020000	1	Gasket Left Cover
3	93540801400	2	LOCK PIN
4	90190604001	10	HEXAGON FLANGE BOLT (M6*40L)
5	C1062081000	1	BRACKET, CENTER STAND
6	C1063102000	1	BREATHER PIPE COMP.
7	C1063092000	1	SPONGE,BREATHER PIPE
8	C20630600001	1	PARTITION PLATE
9	C20631200001	1	GASKET PARTITION PLATE
10	90050500900	6	CR ROUND HD MACHINE SCREW(M5*9
11	92110500000	6	SPRING LOCK WASHER
12	C17013000001	1	PLASTICS PLUG ASSY.
13	C1063110000	1	FIXING PLATE
14	C1706280000	1	CLAMP

E3 Cylinder Head Buddy 170i

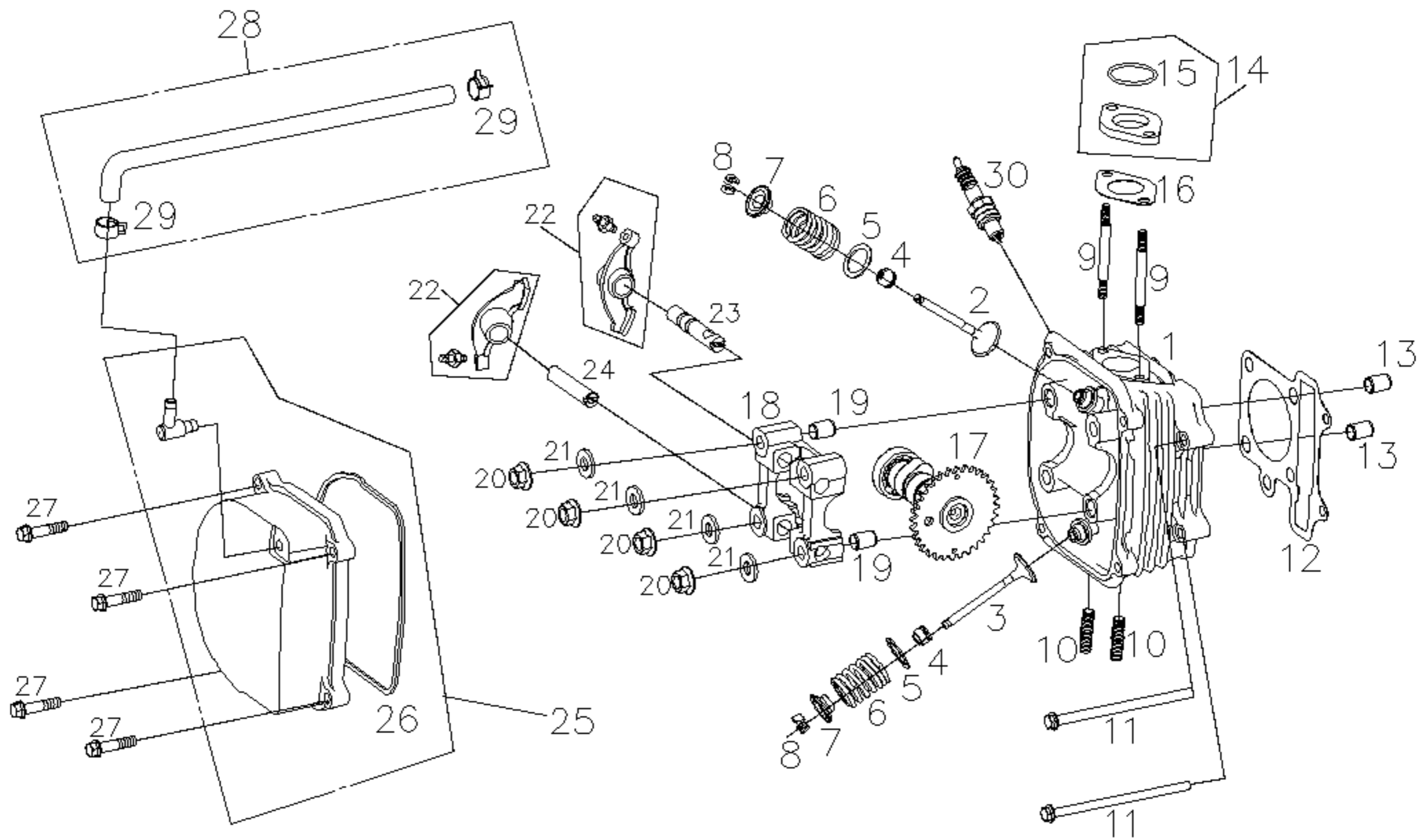


Table - E3 CYLINDER HEAD ASSY.

NO.	PartNo.	Q'TY	PART NAME	NO.	PartNo.	Q'TY	PART NAME
1	C5071011000	1	CYLINDER HEAD	16	C1261321000	1	Insulator Carb. Gasket
2	C5071300000	1	VALVE, INTAKE	17	C5073000000	1	CAMSHAFT COMP
3	C5071200000	1	VALVE, EXHAUST	18	C1072430000	1	CAMSHAFT HOLDER
4	C1071451000	2	SEAL, VALVE	19	93541001401	2	LOCK PIN (10*14)
5	92431600002	2	WASHER	20	92040800000	4	HEXAGON FLANGE NUT
6	C1071410000	2	VALVE SPRING	21	92140600018	4	PLAIN WASHER
7	C1071440000	2	RETAINER, VALVE SPRING	22	C1072020000	2	VALUE ROCKER ARM COM.
8	C1071430000	4	COTTER VALVE	23	C1072050000	1	SHAFT, IN ROCKER ARM
9	90170606300	2	STUD BOLT	24	C1072060000	1	SHAFT, EX ROCKER ARM
10	90170802900	2	STUD BOLT	25	C10711100002	1	COVER,CYLIENDER HEAD
11	90190610001	2	HEXAGON FLANGE BOLT (M6*100L)	26	C1071120000	1	GASKET, CYLINDER HEAD COVER
12	C90710700000	1	GASKET HEAD CYL.	27	90190602700	4	PAN HEAD SCREW (M6*29L)
13	93541001401	2	LOCK PIN (10*14)	28	ES0711900001	1	TUBE CYL., COMP.
14	C12613100001	1	INSULATOR COMP.	29	922213000001	2	CLAMP
15	95512700001	1	O RING	30	C12220000002	1	SPARKING PLUG

E4 Crankshaft, Cylinder Buddy 170i

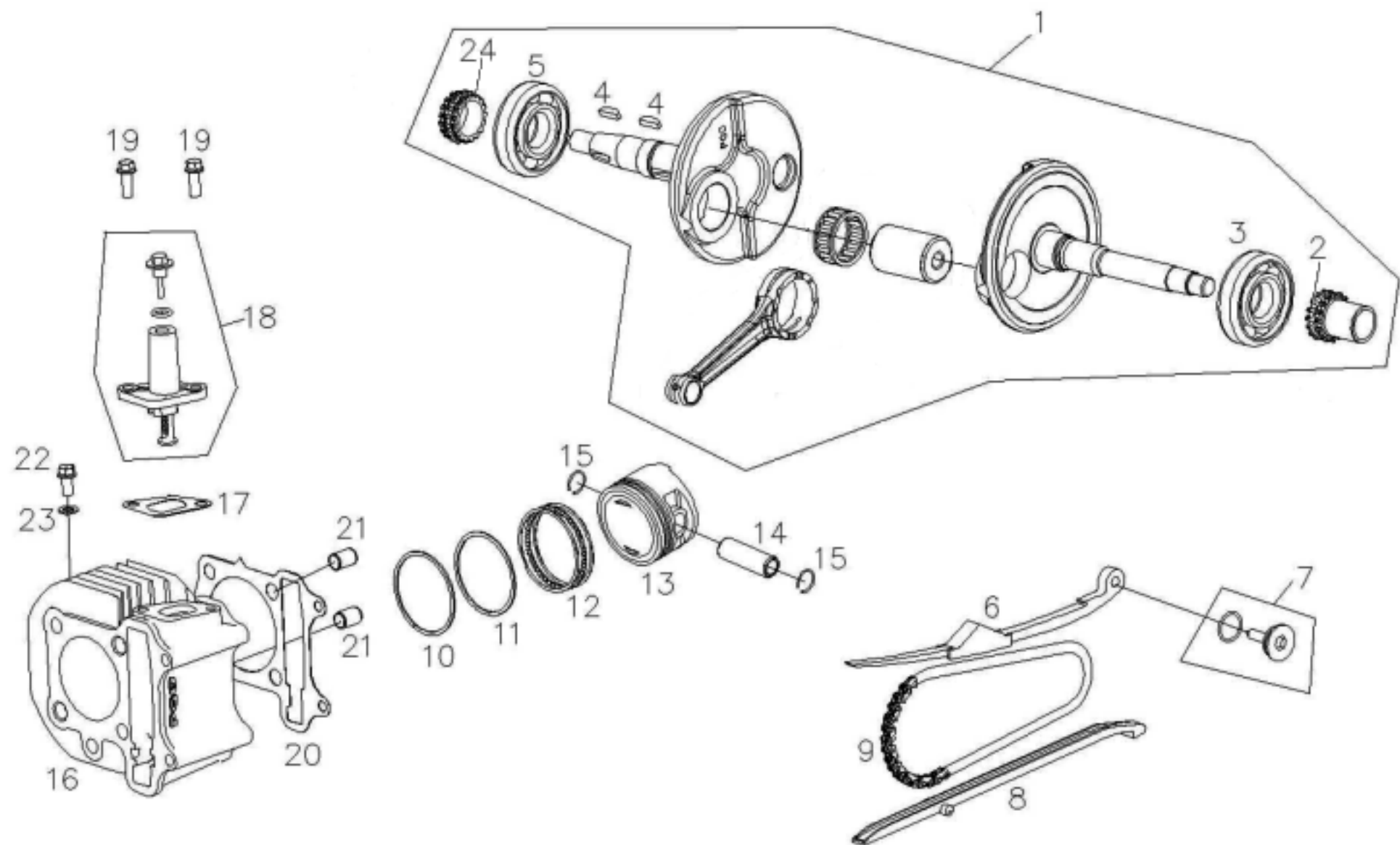


Table - E4 CYLINDER , CRANKSHAFT

NO.	PartNo.	Q'TY	PART NAME	NO.	PartNo.	Q'TY	PART NAME
1	C50665010003	1	CRANK SHAFT ASSY.	13	C90670100000	1	PISTON
2	C5066130000	1	TIMING SPROCKET	14	C90671100000	1	PISTON PIN
3	C1062100000	1	ROLLER BEARING	15	G1067151000	2	CLIP, PISTON PIN
4	93530402500	2	WOODRUFF KEY	16	C90640110000	1	CYLINDER
5	C1062100000	1	ROLLER BEARING	17	C5072481000	1	Gasket, Chain Adjuster
6	C1072440000	1	TENSIONER, TIMING CHAIN	18	C5072500000	1	CHAIN ADJUSTER ASSY
7	C1072490000	1	SCREW ASSY, TIMING CHAIN TENSIONER	19	90190601604	2	HEXANGON FLANGE BOLT
8	C5072470000	1	GUIDE COMP, TIMING CHAIN	20	C90641100000	1	GASKET ,CYLINDER
9	C1072460000	1	CHAIN, CAMSHAFT	21	93541001401	2	LOCK PIN (10*14)
10	C90673100000	1	Piston Ring Top	22	90190601207	1	HEXAGON FLANGE BOLT(M6*1.0P*12L)
11	C90673200000	1	Piston Ring Second	23	92140600011	1	WASHER
12	C90674000000	1	OIL SCRAPER RING COMP.	24	C1066140000	1	OIL PUMP SPROCKET

E5 Right Crankcase Cover Buddy 170i

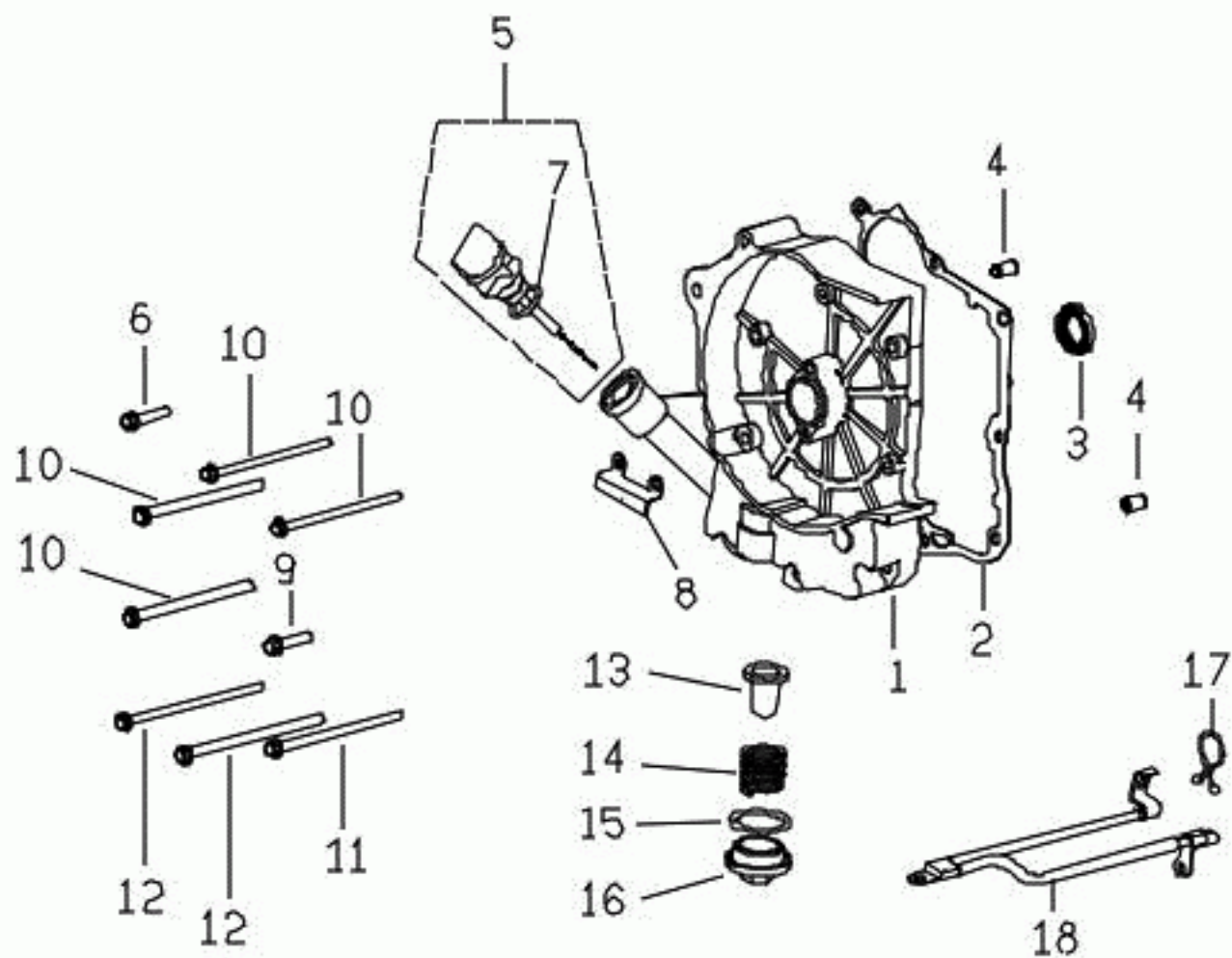


Table - E5 STARTING MOTOR

NO.	PartNo.	Q'TY	PART NAME
1	C10680100002	1	CRANKCASE COVER, RH
2	C1068021000	1	Gasket Rh. CrankCase Cover
3	95572030501	1	OIL SEAL TC TYPE 19.8 30 5
4	93540801400	2	LOCK PIN
5	C2068110000	1	GAUGE, OIL LEVEL ASSY
6	90190603001	1	HEXAGON FLANGE BOLT (M6*30L)
7	95511800001	1	O-RING
8	C1706640000	1	A.C.G PLATE
9	90190602700	1	HEXAGON FLANGE BOLT (M6*27L)
10	90190609500	4	HEXANGON FLANGE BOLT (M6*95L)
11	90190610001	1	HEXAGON FLANGE BOLT (M6*100L)
12	90190611000	2	HEXANGON FLANGE BOLT (M6*110L)
13	G1062180000	1	SCREEN ,OIL FILTER
14	C1062190000	1	COMPRESSION SPRING
15	90190609500	4	HEXANGON FLANGE BOLT (M6*95L)
15	95513100000	1	O RING
16	C1062240000	1	CAP, OIL FILTER
17	C1701270000	1	PLASTICS LOCK
18	P6241031000	1	STARTING MOTOR GROUND WIRE

E6 Injection System Buddy 170i

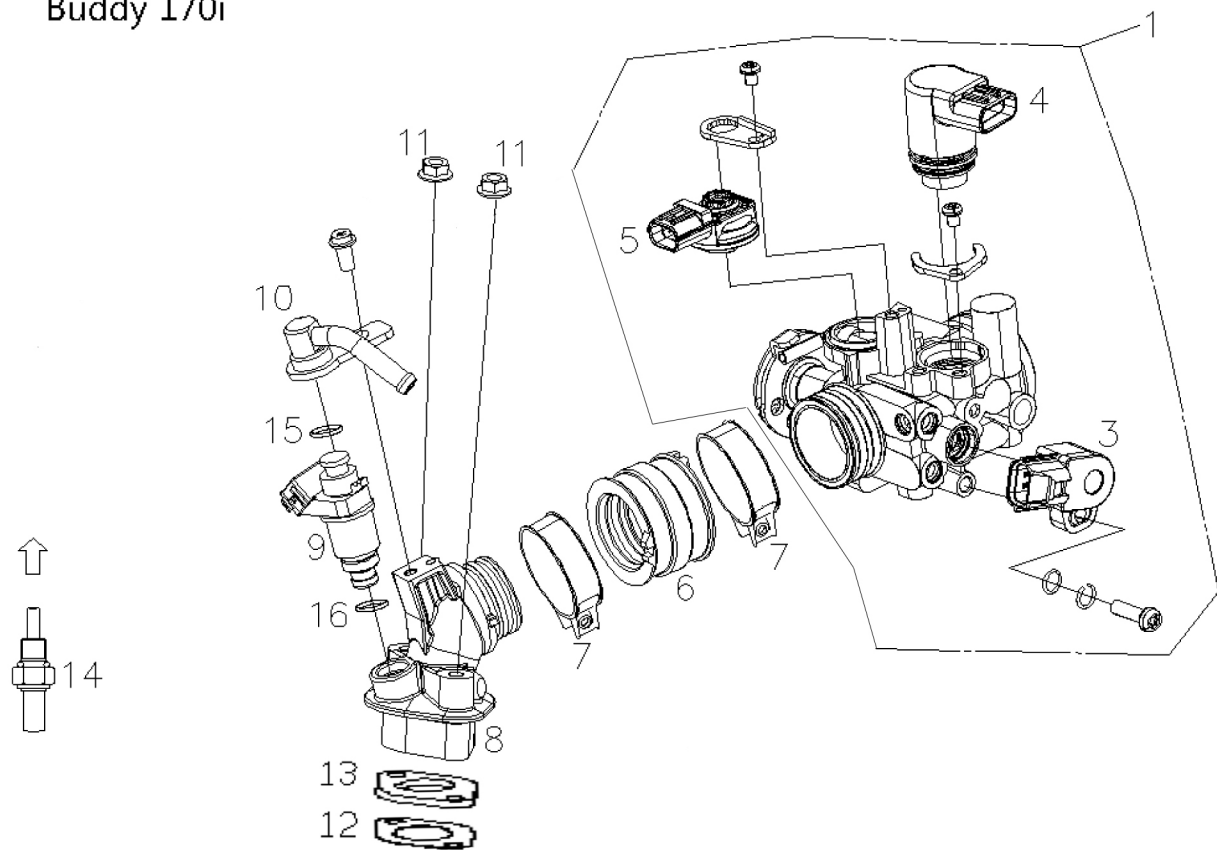


Table - E6 INJECTION SYSTEM

NO.	PartNo.	Q'TY	PART NAME
1	C92630200000	1	THROTTLE BODY
3	16148680000	1	THROTTLE POSITION SENSOR(TPS)
4	40004520003	1	ISC VALVE
5	16149060002	1	MAP SENSOR
6	F32630400000	1	INSULATOR
7	F32610600000	2	clip
8	C92610100001	1	INTAKE MAINFOLD
9	C92612300000	1	INJECTOR ASSY
10	10749962100	1	PIPE
11	92040600000	2	HEXAGON FLANGE NUT (M6*1.0P)
12	ES261070000	1	GASKET, MANIFOLD
13	C1261310000	1	INSULATOR INTAKE
14	ES0716100000	1	TE SENSOR
15	C92612400000	1	O-RING
16	C92612500000	1	OIL SEAL

E7 Driven Pulley Buddy 170i

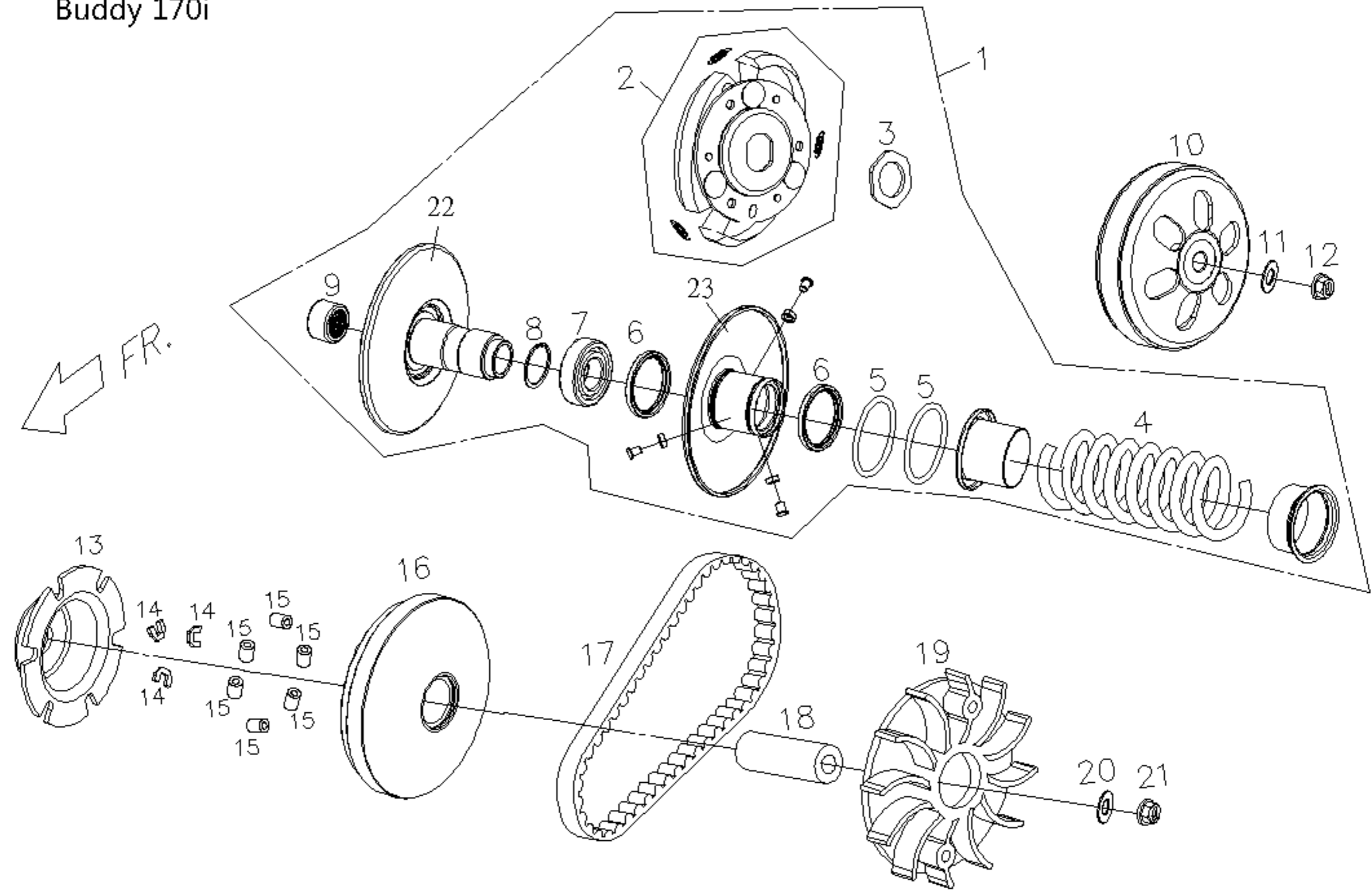


Table - E7 DRIVEN PULLEY

NO.	PartNo.	Q'TY	PART NAME	NO.	PartNo.	Q'TY	PART NAME
1	C5123701000	1	BELT PULLEY COMP,DRIVEN FACE	13	C1121310000	1	PAMP PLATE
2	C51236000000	1	PLATE ASSY,DRIVE	14	C1121321000	3	SLIDE PIECE
3	P1123410000	1	NUT,SPECIAL	15	C1121200000	6	WEIGHT ROLLER ASSY
4	C1123520000	1	SPG.,DRIVEN FACE	16	C11211000001	1	FACE MOVABLE DRIVE
5	95513700000	2	O-RING	17	C21220000001	1	V TYPE BELT
6	95593441400	2	OIL SEAL , G TYPE 34 41 4	18	C1121050000	1	BOSS DRIVE FACE
7	96520690200	1	DEEP GROOVE BALL BEAR ONE SEAL	19	C11210600001	1	DRIVE FACE
8	92162800000	1	RETAINING RING C TYPE	20	92141500005	1	Plane Washer
9	96550202900	1	NEEDLE BEARING	21	92041200000	1	HEXAGON FLANGE NUT
10	C1123510000	1	OUTER BODY COMP.CLUTCH	22	C1123110000	1	DRIVEN FACE ASSY
11	92141500005	1	Plane Washer	23	C1123210000	1	BODY COMP., DRIVEN FACE
12	92041200000	1	HEXAGON FLANGE NUT				

E8 Fan Cover, Generator Buddy 170i

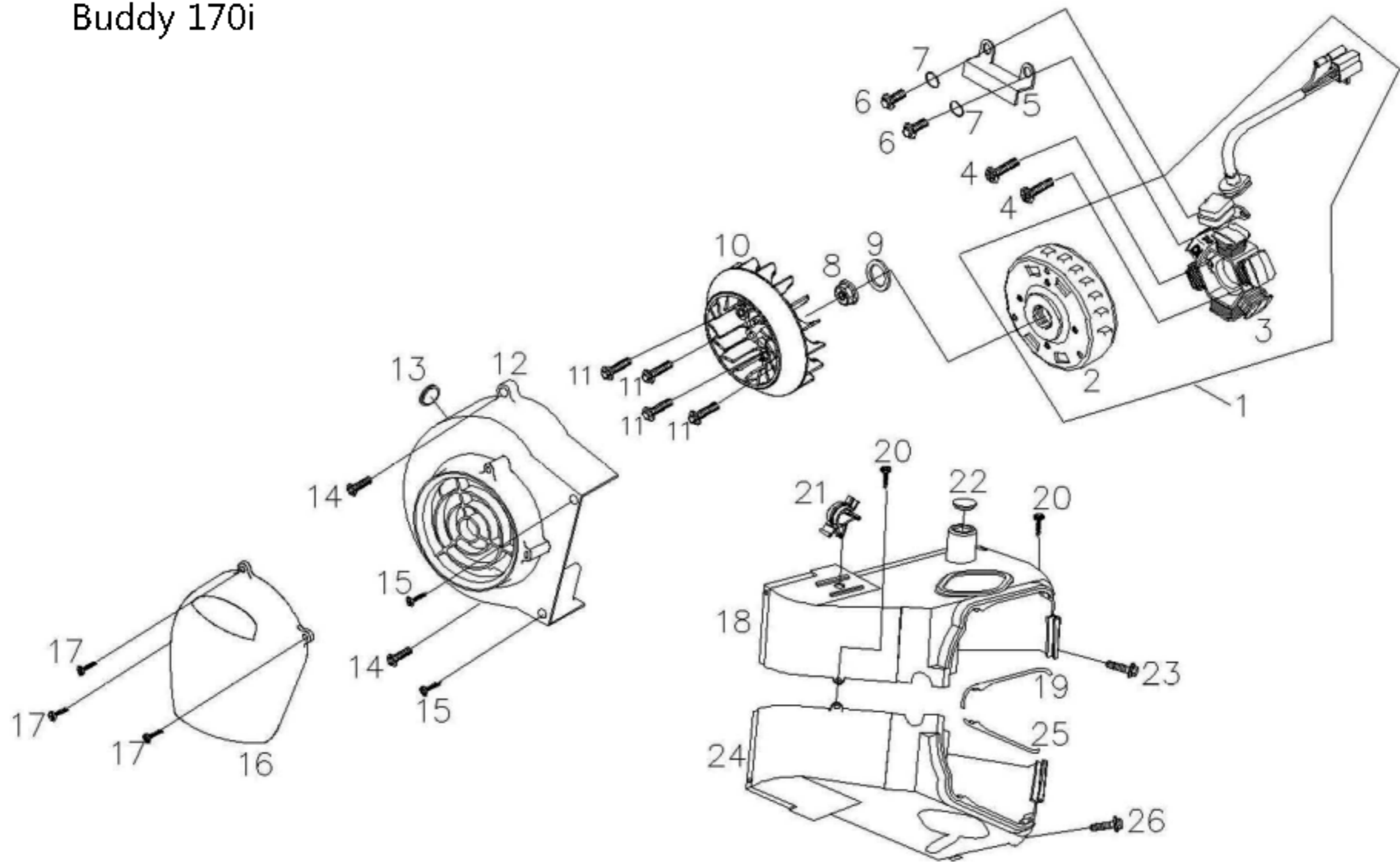


Table - E8 GENERATOR

NO.	PartNo.	Q'TY	PART NAME	NO.	PartNo.	Q'TY	PART NAME
1	F3221000000	1	A.C.G COMP.	14	90180602002	2	HEXAGON FLANGE BOLT (M6*20L)
2	F3221010000	1	FLYWHEEL COMP	15	90150501602	2	C-R RECESS PAN HD. TAPPING
3	F3221020000	1	STATOR COMP	16	C1042242000	1	COVER, FAN HOOD
4	90040602700	2	C-R PAN HD.MACHINE SCREW	17	90110401600	3	CR PAN HD TAPPING SC
5	C1706640000	1	A.C.G PLATE	18	C50422100002	1	COOLING HOOD (2)
6	90190501201	2	HEXAGON FLANGE BOLT (M5*12L)	19	C1042220000	1	SEAL, COOLING COWL (2)
7	92110500000	2	SPRING LOCK WASHER	20	90150501602	2	C-R RECESS PAN HD. TAPPING
8	92041200000	1	HEXAGON FLANGE NUT	21	C1701290000	1	PLASTICS LOCK
9	92141500005	1	Plane Washer	22	C1701260000	1	RUBBER PLUG
10	C1043001000	1	FAN	23	90180602002	1	HEXAGON FLANGE BOLT (M6*20L)
11	90190601206	4	Hexangon Flange Bolt	24	C5042102000	1	COOLING HOOD (1)
12	C10420020000	1	FAN COVER	25	C1042120000	1	SEAL, COOLING COWL (1)
13	C1042030000	1	RUBBER PLUG	26	90180602002	1	HEXAGON FLANGE BOLT (M6*20L)

E9 Starting Motor Buddy 170i

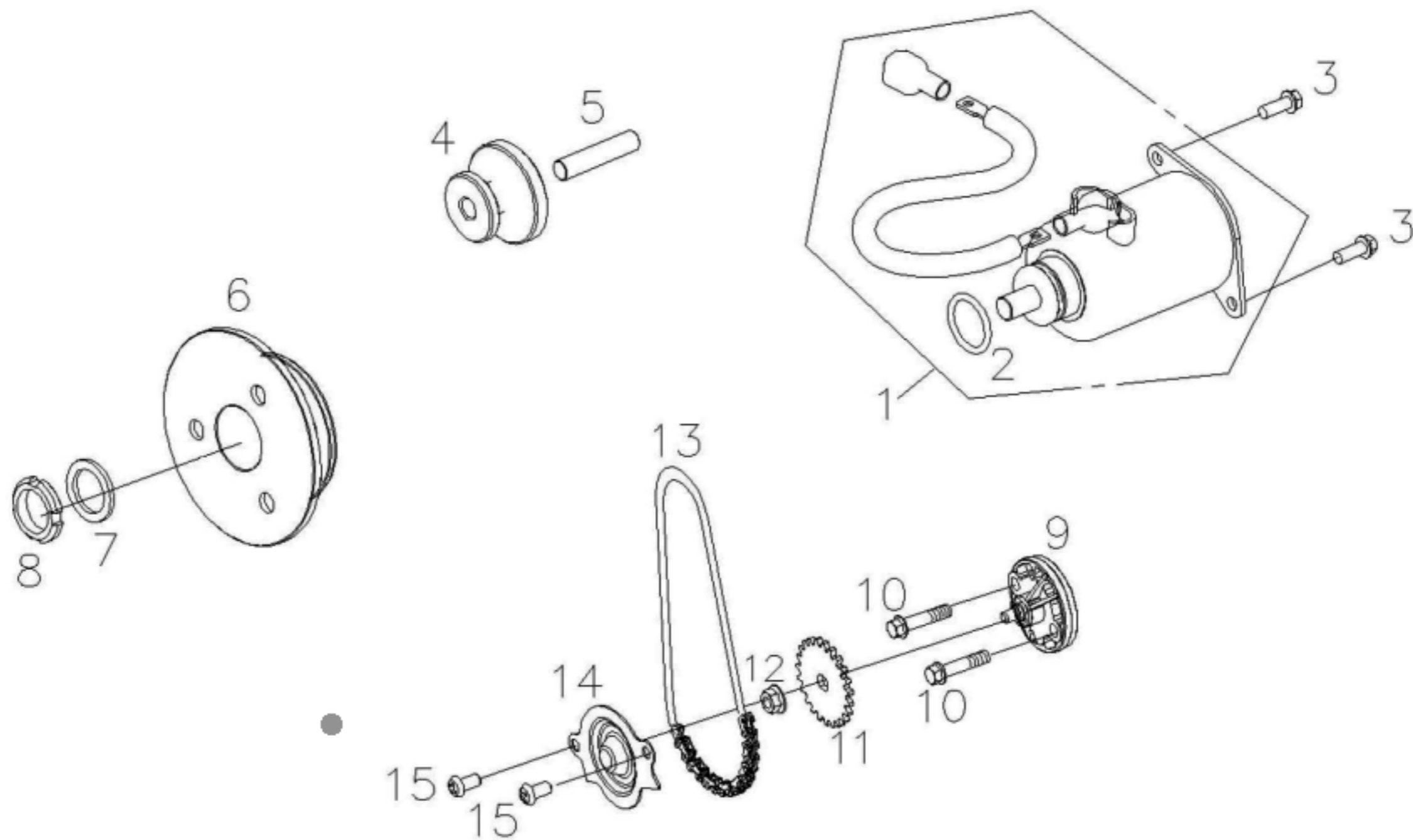


Table - E9 STARTING MOTOR

NO.	PartNo.	Q'TY	PART NAME
1	C1241000000	1	MOTOR ASSY STARTER
2	95512400002	1	O RING
3	90190601604	2	HEXANGON FLANGE BOLT
4	C1242010000	1	GEAR, STARTER REDUCTION
5	C1242040000	1	SHAFT, START REDUCTION GEAR
6	C12430000001	1	ONE WAY CLUTCH ASSY
7	92142200000	1	WASHER (22*31*2.5)
8	C1243060000	1	LOCK NUT (L)
9	C1081000000	1	OIL PUMP COMP.
10	90100601500	2	PAN HEAD SCREW (M6*29L)
11	C1081030000	1	SPRKT OIL PUMP DRIVEN
12	92040600000	1	HEXAGON FLANGE NUT (M6*1.0P)
13	C1081220000	1	CHAIN, OIL PUMP
14	C1081230000	1	SEPARATOR, OIL
15	90050601200	2	CR ROUND HD MACHINE SCREW (M6*12L)

E10 Gearbox Buddy 170i

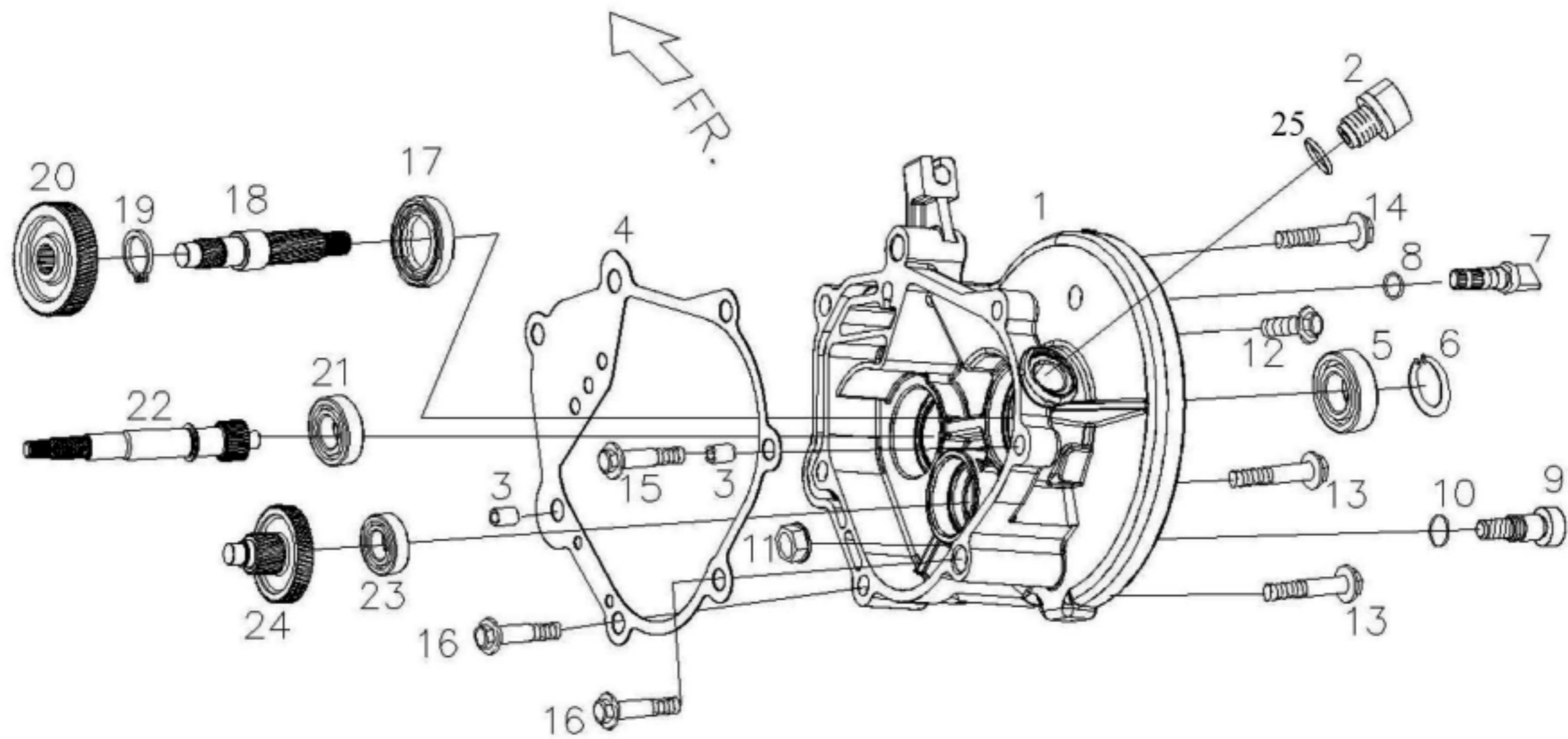


Table - E10 GEARBOX

NO.	PartNo.	Q'TY	PART NAME	NO.	PartNo.	Q'TY	PART NAME
1	C2141011000	1	TRANSMISSION COVER	14	90190805001	1	HEXAGON FLANGE BOLT (M8*50L)
2	P1062150000	1	OIL BOLT	15	90190804501	1	HEXAGON FLANGE BOLT (M8*45L)
3	93541001401	2	LOCK PIN (10*14)	16	90190804003	2	HEXAGON FLANGE BOLT (M8*40L)
4	C2141021000	1	Trans Cover Gasket	17	95572742702	1	Oil Sealtc TC Type
5	96530622200	1	BALL BEARING, DOUBLE SEALED	18	C11414120000	1	AXLE DRIVE
6	92165000000	1	RETAINING RING C TYPE	19	92172200000	1	C TYPE RETAINING RING
7	C2407443000	1	CAM, REAR BRAKE	20	C11413110003	1	FINAL GEAR
8	95511200000	1	O RING	21	96510630100	1	DEEP GROOVE BALL BEARING
9	C2407431000	1	SHOE PIVOT, REAR BK	22	C61411000001	1	DRIVE SHAFT
10	95510800000	1	O RING(7.5*1.5)	23	96510600200	1	DEEP GROOVE BALL BEARING
11	92060800002	1	HEXAGON FLANGE NUT	24	C61412000002	1	IDLE GEAR ASSY.
12	90190803002	1	HEXAGON FLANGE BOLT (M8*30L)	25	95511300001	1	O RING
13	90190804003	2	HEXAGON FLANGE BOLT (M8*40L)				

E11 Air Cleaner Comp. Buddy 170i

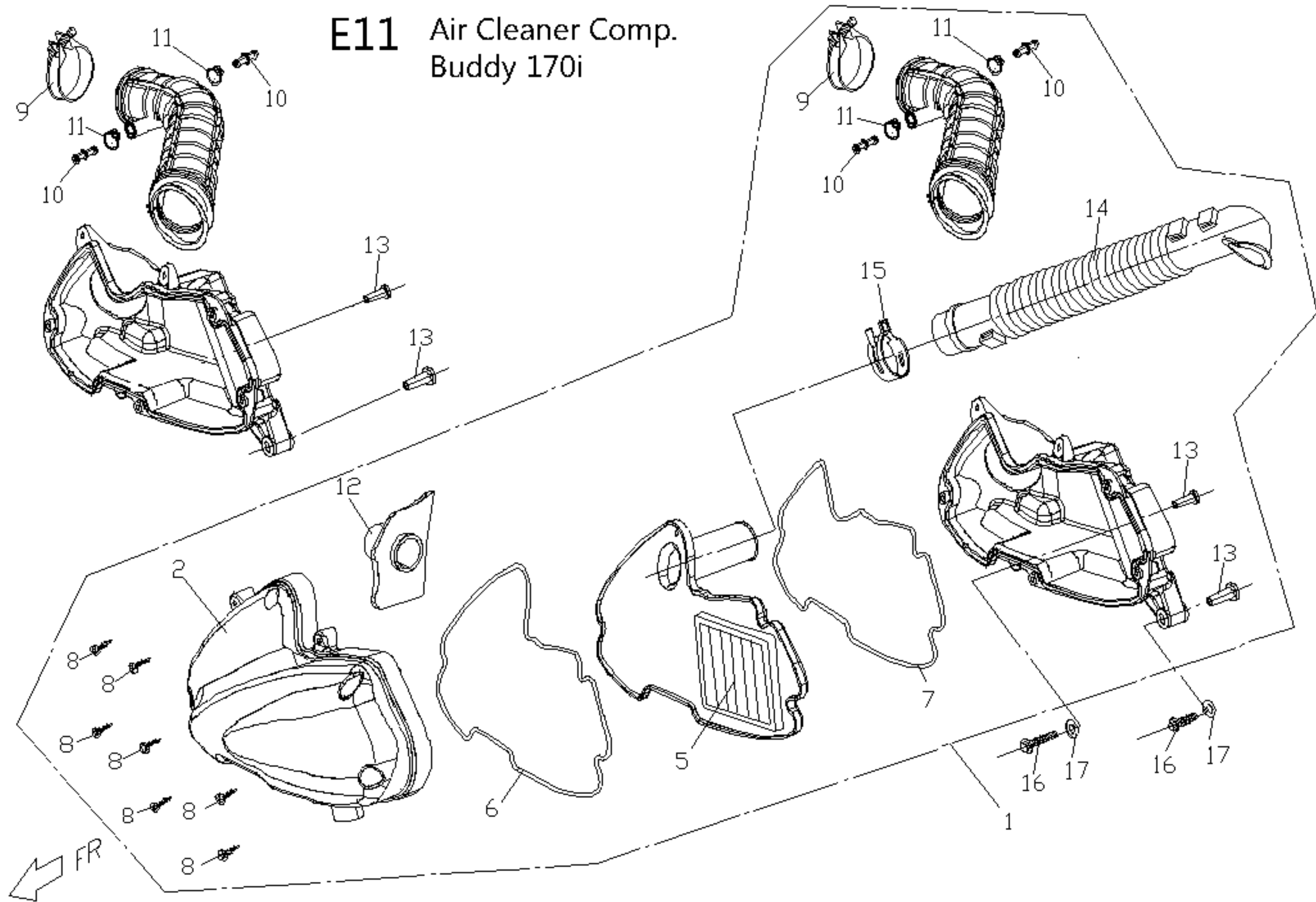


Table - E11 AIR CLEANER COMP

NO.	PartNo.	Q'TY	PART NAME
1	P62620000004	1	AIR CLEANER COMP.
2	P6262020000	1	COVER, AIR CLEANER
5	P6262030000	1	AIR FILTER
6	P6262040000	1	PACKING, AIR FILTER
7	P6262230000	1	PACKING, AIR CLEANER
8	90150502000	7	CR TRUSS HD MACHINE SCREW
9	P62621100001	1	CLAP
10	P6262360000	2	PIPE,TWO WAY
11	92201200000	2	HOSE CLIP
12	P6262050000	1	CONNECTION PIPE
13	P6262060000	2	BUSH
14	P6262270000	1	INLET PIPE
15	92214000000	1	HOSE CLIP
16	90190603503	2	HEXAGON FLANGE BOLT(M6*35L)
17	92140600005	2	WASHER (6.4D*13D*1T)

E12 Muffler Buddy 170i

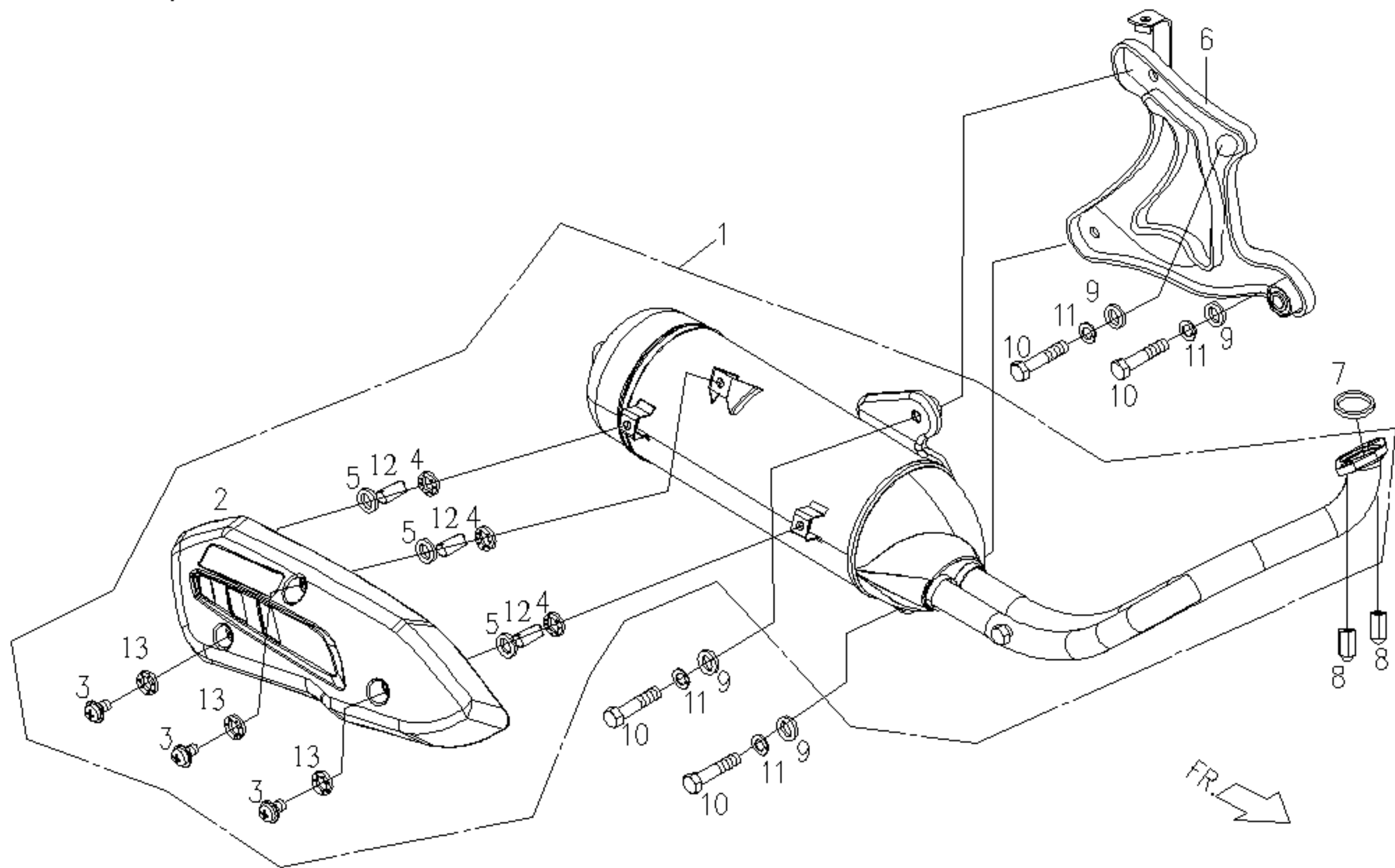


Table - E12 MUFFLER

NO.	PartNo.	Q'TY	PART NAME
1	C52810000008	1	MUFFLER ASSY.
2	C12810100004	1	HEAT PROTECTOR
3	90050602000	3	C-R PAN HD MACHINE S
4	92140600015	3	WASHER(TEMPERATURE-ENDURING)
5	C128A010000	3	LOCK RING
6	C2281042000	1	BRACKET,MUFFER
7	E9281020000	1	PACKING,MUFFLER
8	92050800000	2	DOMED CAP NUT
9	92140600018	4	PLAIN WASHER
10	90190804003	4	HEXAGON FLANGE BOLT (M8*40L)
11	92110800000	4	SPRING WASHER(8D*14D*2.2T)
12	C128A020000	3	BUSH, LOCK RING
13	92140600005	3	O-RING (6.1D * 12D * 1T)

E13 Rear Wheel Buddy 170i

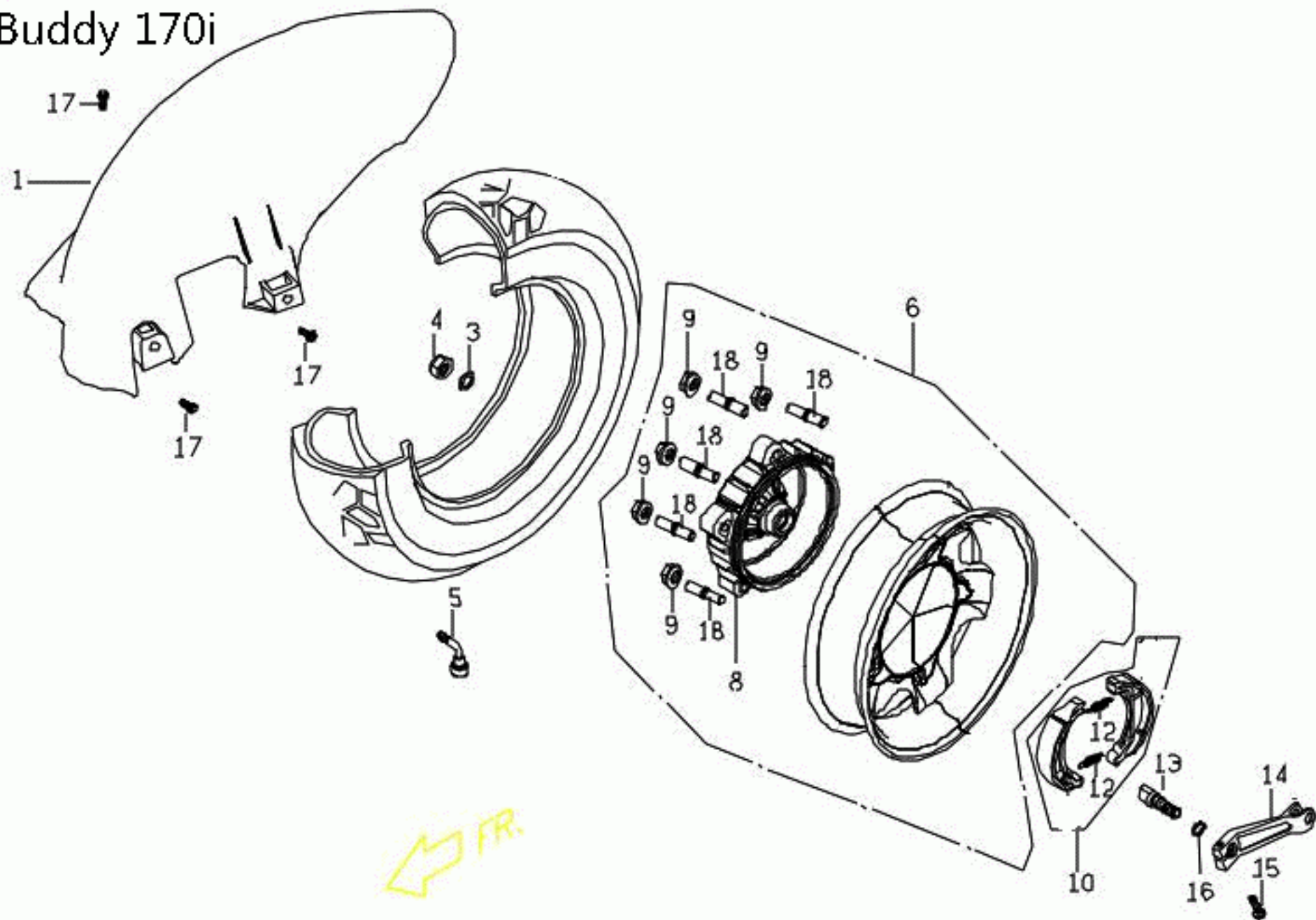


Table - E13 REAR WHEEL

NO.	PartNo.	Q'TY	PART NAME
1	C2634000650	1	REAR FENDER
3	92141700001	1	WASHER
4	92011600000	1	U TYPE SPRING NUT
5	P140B330000	1	VALVE
6	C24071067700	1	REAR WHEEL RIM COMP, SILVER
6	C24071051S00	1	REAR WHEEL RIM COMP,PAMPLONA
6	C24071043K00	1	REAR WHEEL RIM COMP,ITALIA
6	C24071066D00	1	REAR WHEEL RIM COMP, BLACK
6	C24071064J00	1	REAR WHEEL RIM COMP, BRIT
8	C2407131770	1	HUB REAR (SILVER)
9	92040800000	5	HEXAGON FLANGE NUT
10	C24074010000	1	BRAKE SHOE ASSY.
12	E1407410000	2	BRAKE SHOE SPRING
13	C2407443000	1	CAM, REAR BRAKE
14	C24074700001	1	ARM, REAR BRAKE
15	90020602203	1	HEXAGON BOLT
16	95511200000	1	O RING
17	90190602002	3	HEXAGON FLANGE BOLT (M6*20L)
18	90170803601	5	STUD BOLT

E14 Oil Cooler Buddy 170i

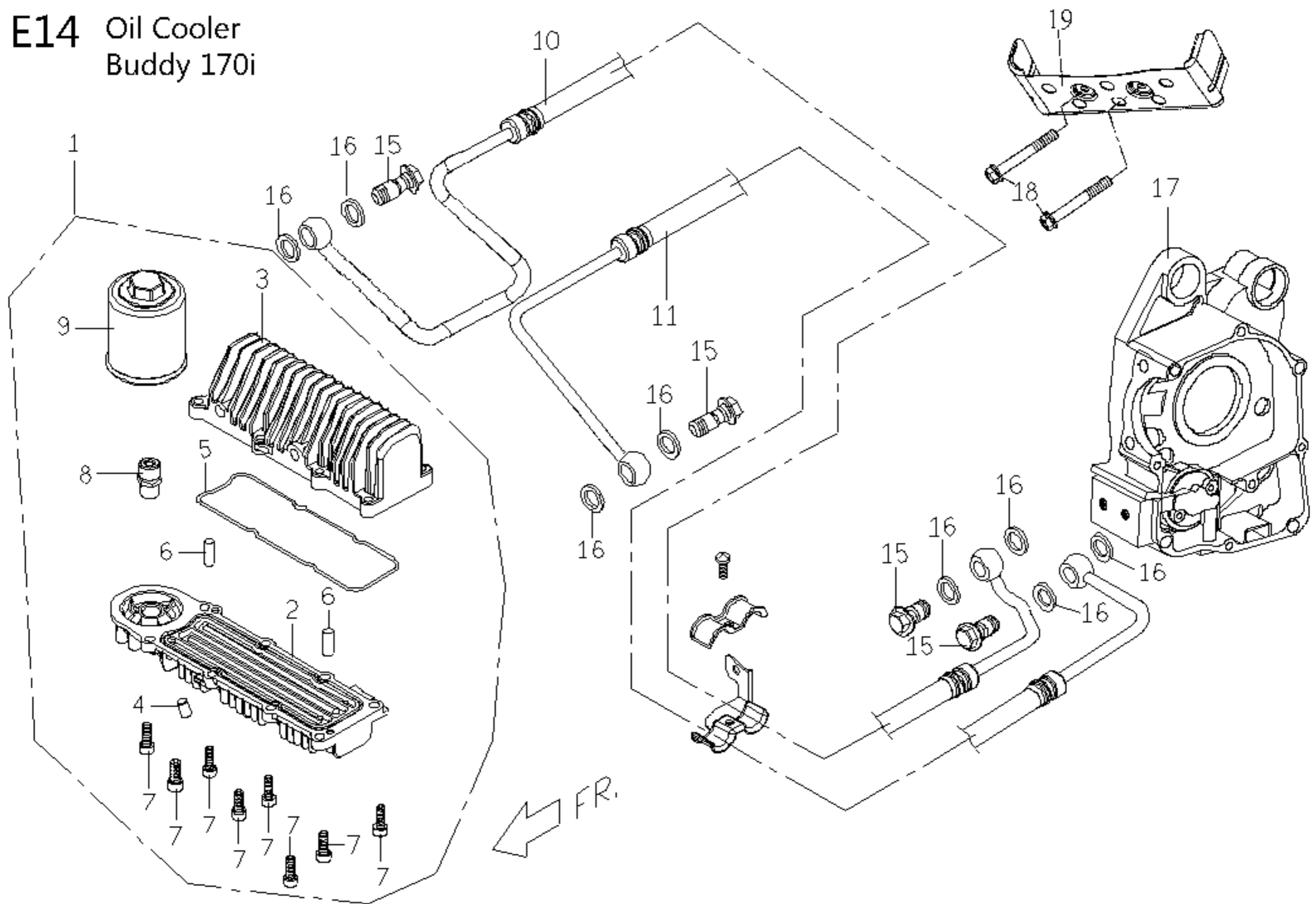


Table - E14 OIL COOLER

NO.	PartNo.	Q'TY	PART NAME
1	C50830100001	1	OIL COOLER ASSY
2	C5083020000	1	OIL COOLER, UPPER
3	C5083030000	1	OIL COOLER, LOWER
4	G1061070000	1	OIL PLUG
5	C5083040000	1	OIL SEAL
6	93560401000	2	LOCK PIN
7	90210601800	8	HEXAGON SOCKET HD. CAP SCREW
8	C5083080000	1	OIL FILTER JOINT
9	C1082020000	1	OIL FILTER
10	C90830500000	1	OIL COOLER PIPE(1)
11	C90830600000	1	OIL COOLER PIPE(1)
15	C5083070000	4	JOINT BOLT,OIL HOSE
16	92141200006	8	WASHER
17	C50610000001S	1	CRANKCASE, RH
18	90190807500	2	HEXAGON FLANGE BOLT (M8*75L)
19	C27060516001	1	COOLER GUARD BOARD

F1 Cover Upper/Lower, Handlebar Headlight Buddy 170i

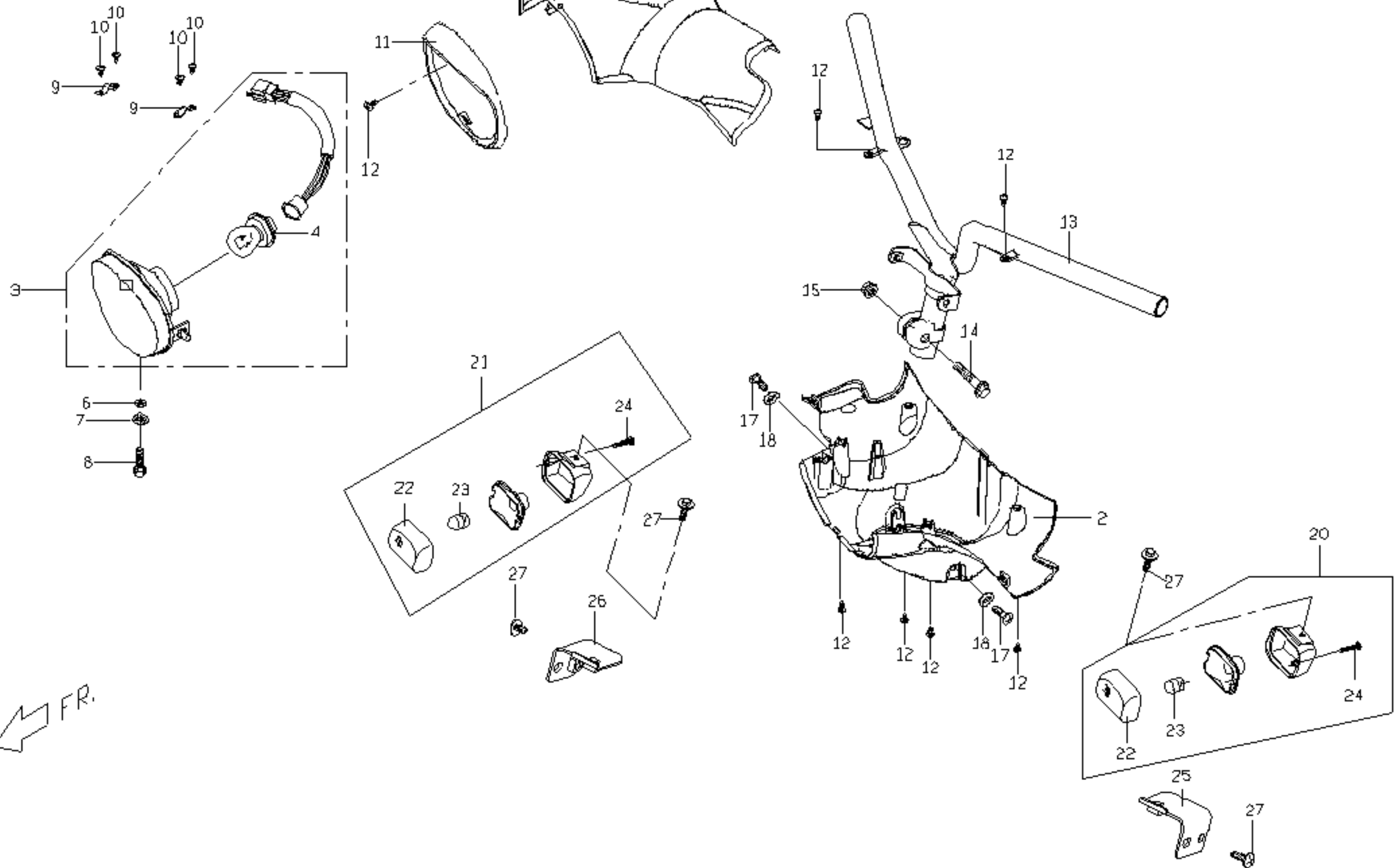


Table- F1 COVER UPPER/LOWER HANDLEBAR, HEADLIGHT

NO.	PartNo.	Q'TY	PART NAME	NO.	PartNo.	Q'TY	PART NAME
1	SEE PAGE 1	1	UPPER HANDLE COVER see Diagram Page 1	13	P5612001600	1	HANDLE BAR COMP
2	SEE PAGE 1	1	LOWER HANDLE COVER see Diagram Page 1	14	90191004600	1	HEXAGON FLANGE BOLT(M10*46L)
3	P66610000002	1	HEADLIGHT COMP. 2007 AND NEWER	15	92061000001	1	HEXAGON LOCK NUT (M10*1.25P)
3	P56610000002	1	HEADLIGHT COMP. SMALLER 2006 ONLY	16	P5613020000	1	SPEEDOMETER SIDE COVER CHROME
4	98151235351	1	HEADLAMP BULB (35/35W) 2007 and Newer	16	P56130206801	1	SPEEDOMETER SIDE COVER Psycho Black
4	98111235301	1	HEADLAMP BULB (35/30W) 2006 only	17	90040601403	2	C-R PAN HD. MACHINE SCREW
6	92140500014	1	PLAIN WASHER	18	92140600005	2	WASHER (6.4D*13D*1T)
7	92130600000	1	TEETH TYPE WASHER	20	C166C0110004	1	FR SIGNAL LAMP, LH
8	E1613010000	1	REGULATING SCREW	21	C166D0110004	1	FR SIGNAL LAMP, RH
9	P5706010000	2	FRONT LIGHT PLATE	22	C166G0200006	1	LH SIGNAL LAMP COVER-CLEAR
10	90130301000	4	CR ROUND HD TAPPING SCREW(M3*1	22	C166H0200006	1	RH SIGNAL LAMP COVER - CLEAR
11	P66130300002	1	BEZEL CHROME LARGE 2007 AND NEWER	23	98211221990	2	BULB, yellow, 21w
11	P66130306803	1	BEZEL BLACK LARGE 2007 AND NEWER	24	C166G0500005	2	SCREW
11	P5613030000	1	BEZEL CHROME SMALLER 2006 ONLY	27	90200501600	2	SCREW WITH WASHER
12	90110401200	7	CR PAN HD TAPPING SC				

F2 Speedometer Buddy 170i

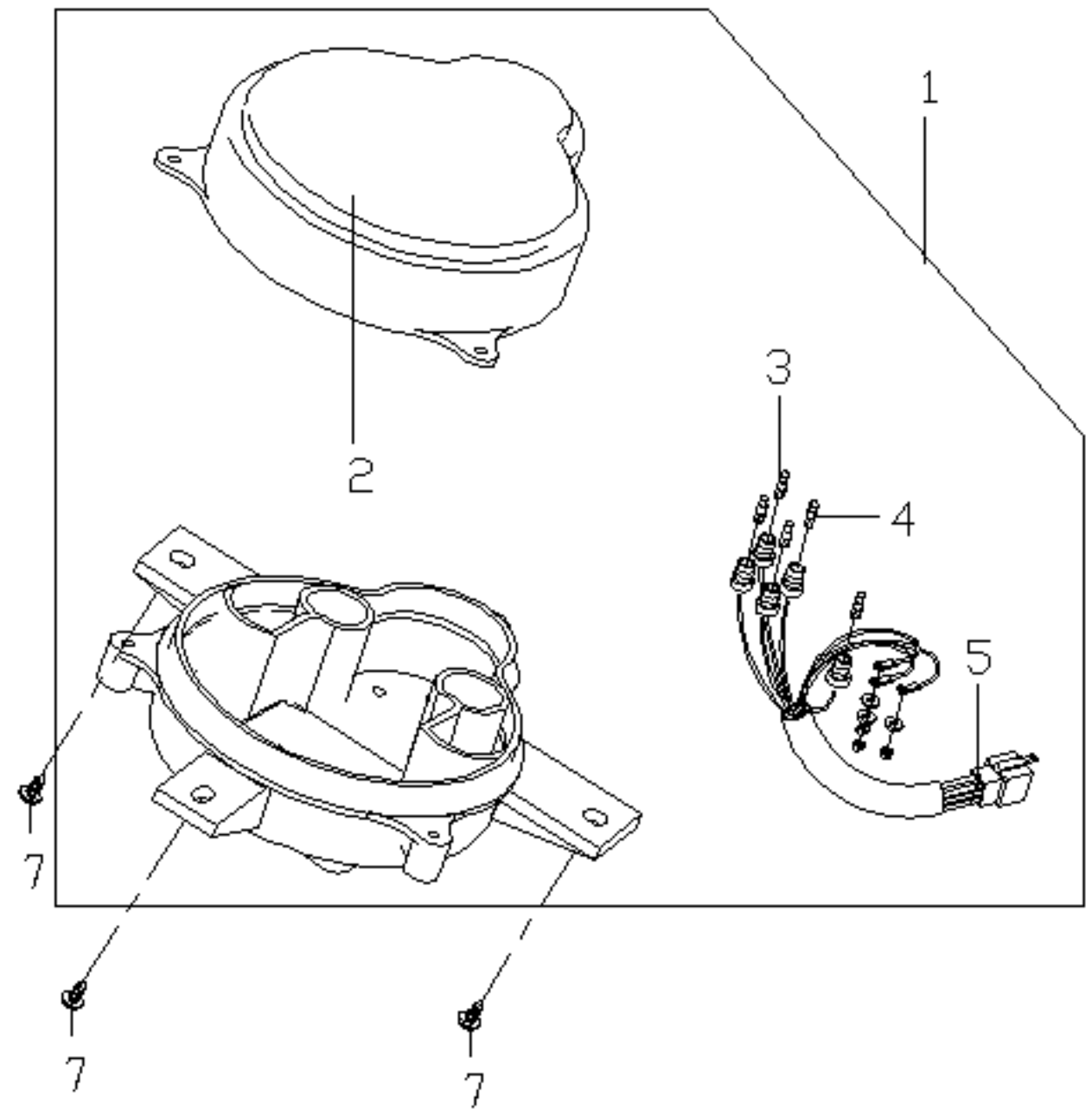
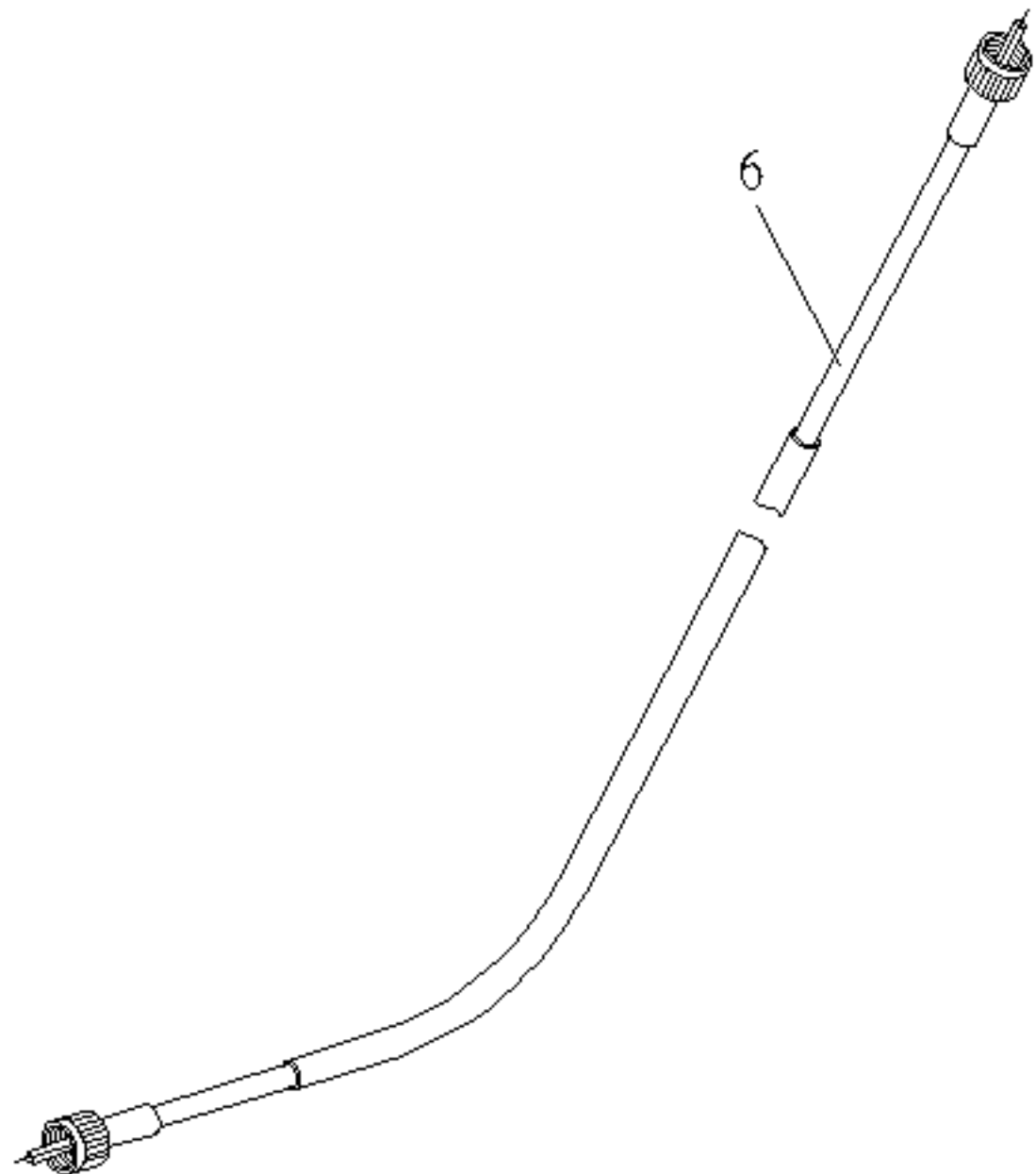


Table - F2 SPEEDOMETER

NO.	PartNo.	Q'TY	PART NAME
1	P6561000000D	1	SPEEDMETER ASSY
2	P556A010000	1	SPEEDMETER COVER
3	P556A030000	1	BULB
4	P556A020000	5	BULB
5	P556A040000	1	WIRE UNIT
6	P65440010005	1	SPEED METER CABLE ASSY
7	90110401200	3	CR PAN HD TAPPING SC

Table - F3 CABLE, SWITCH, BACK MIRRORS

NO.	PartNo.	Q'TY	PART NAME	NO.	PartNo.	Q'TY	PART NAME
2	P1546003000	1	LEFT LEVER HOLDER ASSY	20	90050501200	1	BOLT (M5*12L)
3	P154F410000	1	CASE, SWITCH UNDER 2	21	P6403600000	1	FRT BRAKE FLUID HOSE COMP.
4	P154F020000	1	CASE,SWITCH UNDER 1	22	P14038110000	2	JOINT BOLT,BRAKE HOSE
5	P154F030000	1	BOLT	23	92141000018	4	PLAIN WASHER
6	P154F040000	1	LOCK NUT	24	P154F390000	1	SCREW,PAN HEAD
7	P1543303000	1	LEVER,LH BRAKE	25	P154F400000	1	SCREW,PAN HEAD
8	C2548220000	1	RR BRK SWITCH COMP	26	P140C130000	2	SCREW
9	P05410010000	1	GRIP ASSY,LH, black	27	P140C120000	1	CAP,RESERVOIR
9	P05410010001	1	GRIP ASSY,LH, white	28	P140C110000	1	DIAPHRAGM,RESERVOIR
9	P05410010002	1	GRIP ASSY,LH, brown	29	P140C240000	1	BRACKET,MASTER CYLINDER
9	P05410010003	1	GRIP ASSY,LH, italia gray	31	M25480300000	1	STOP LIGHT SWITCH
9	P05410010004	1	GRIP ASSY,LH, pamplona	32	P6544602000	1	CABLE ASSY,THROT
11	P15480000001	1	HANDLE SWITCH ASSY,RH 2006 only	33	P154H180000	1	C-R ROUND HD SCREW
11	P65480000000	1	HANDLE SWITCH ASSY,RH 2007 > W/HAZZARD	34	P154H170000	1	C-R ROUND HD SCREW
13	P154H020000	1	CASE,SWITCH UNDER 1	35	P6544401000	1	CABLE ASSY, RR BRAKE
14	P05420010000	1	GRIP ASSY,RH, black	36	P56160000003	1	REAR MIRROR LH/RH chrome short stem 2006
14	P05420010001	1	GRIP ASSY,RH, white	36	P56160000003	1	REAR MIRROR LH/RH chrome long stem 2007>
14	P05420010002	1	GRIP ASSY,RH, brown	36	P56160000004	1	REAR MIRROR LH/RH BLACK long stem psycho
14	P05420010003	1	GRIP ASSY,RH, Italia, gray	37	P140C050000	1	SPRING
14	P05420010004	1	GRIP ASSY,RH, pamplona	38	P140C030000	1	CUP LEATHER
15	P5403000000	1	FRT BREAKE MASTER CYLINDER	39	P140C020000	1	PISTON
16	P140C250000	2	INNER BOLT	40	P140C040000	1	OIL SEAL
17	P140C220000	1	BOLT	41	P140C070000	1	CLIP
18	P140C230000	1	FLANGE NUT	42	P140C080000	1	DUSTPROOF COVER
19	P140C191000	1	LEVER,RH BRAKE				

F4 Front Fork, Front Fender Buddy 170i

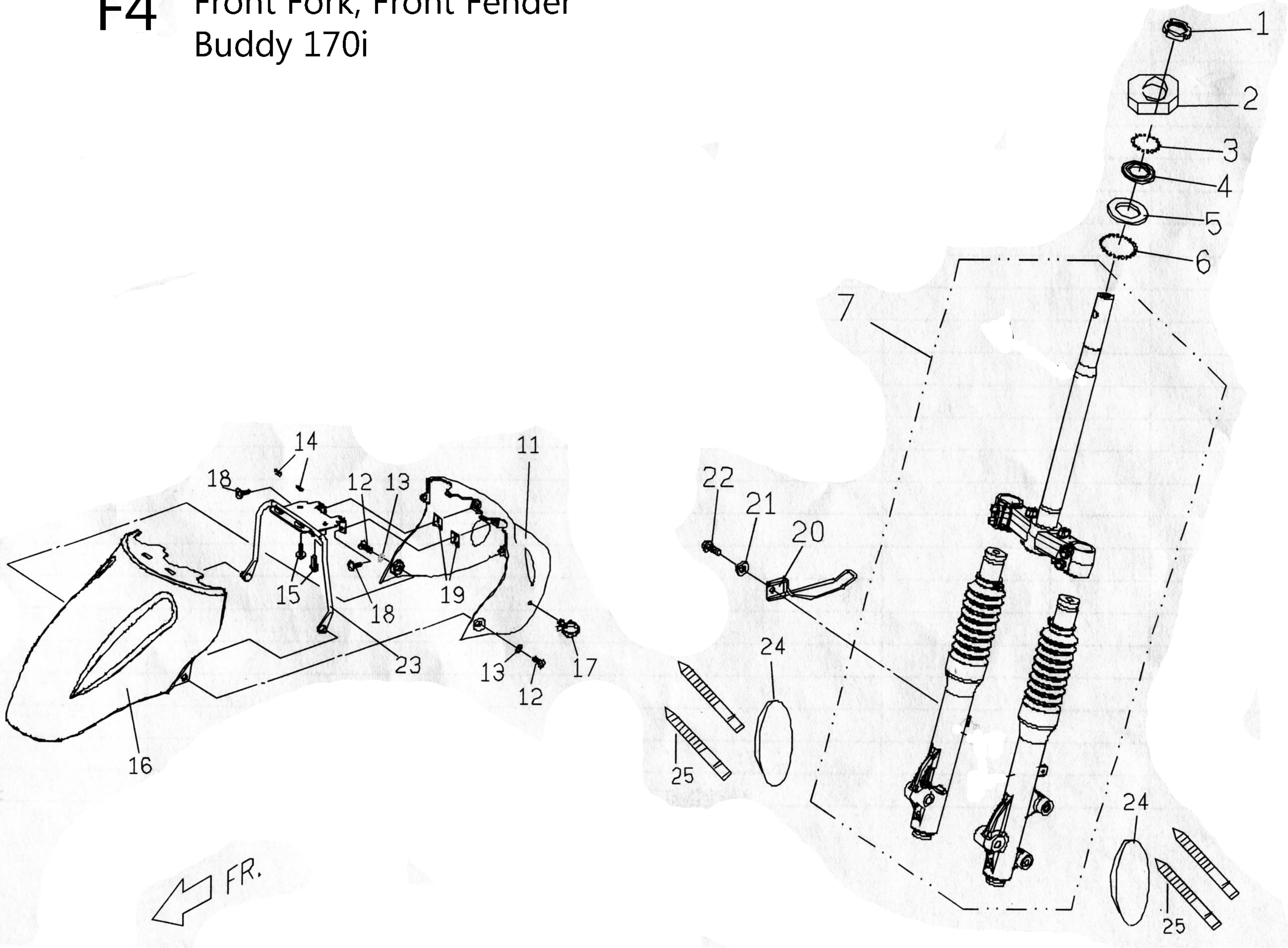


Table - F4 FRONT FORK, FRONT FENDER

NO.	PartNo.	Q'TY	PART NAME
1	P1443040000	1	STEERING SHAFT LOCK NUT
2	P6444051000	1	UPPER RING NUT
3	96630340500	1	UPPER BEARING(3/16")
4	P1443020000	1	UPPER BEARING RACE
5	C1443011000	1	LOWER BEARING RACE
6	99010600000	1	LOWER BEARING (1/4")
7	P6443000000B	1	FORK ASSY.FRT SILVER
7	P64430006D03	1	FORK ASSY.FRT BLACK
11	SEE PAGE 1	1	FR. FENDER,RR. SECTION,see Diagram Page 1
12	90150501601	2	CR TRUSS HD TAPPING SCREW(M5*16L)
13	90040601403	2	C-R PAN HD. MACHINE SCREW
14	C2632020000	2	RUBBER RING
15	90190601200	2	HEXAGON FLANGE BOLT(M6*1.0P*12L)
16	SEE PAGE 1	1	FRT FENDER,FRT SECTION, see Diagram Page 1
17	92362328000	1	CABLE CLIP
18	92140600017	2	WASHER
19	92370500003	2	U TYPE SPRING NUT
20	C2544020000	1	SPEEDOMETER CABLE CLIP COMP. (R)
21	90190601200	1	HEXAGON FLANGE BOLT(M6*1.0P*12L)
21	90190601207	1	HEXAGON FLANGE BOLT(M6*1.0P*12L)
22	92110600000	1	SPRING WASHER(6D*1.8T)
23	C2632010000	1	FRONT FENDER FIXING PLATE
24	P26690000001	2	REFLECTOR,FR
25	P1701030000	4	CABLE TIE

F5 Front Wheel, Front Caliper Buddy 170i

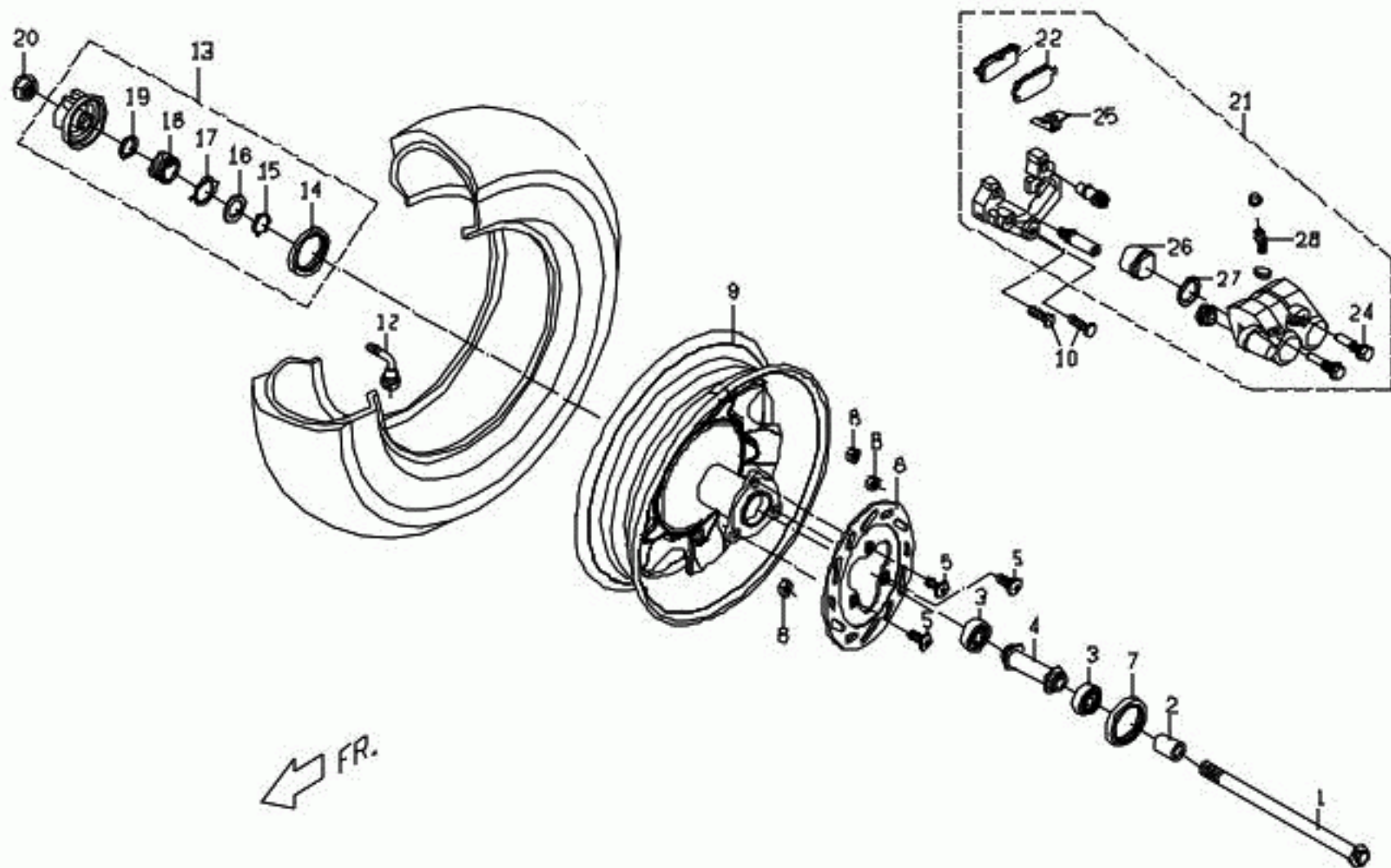


Table - F5 FRONT WHEEL, FRONT CALIPER

NO.	PartNo.	Q'TY	PART NAME	NO.	PartNo.	Q'TY	PART NAME
1	C2402500000	1	AXLE FRT WHEEL	12	P140B330000	1	VALVE
2	P14010100001	1	SPACER	13	C2566002000	1	METER GEAR ASSY
3	96520620100	2	ONE SHIELD BALL BEARING	14	95574052600	1	OIL SEAL
4	P5402400000	1	SPACER ASSY.	15	92171800000	1	C CLIP
5	E1403512000	3	SCREW, FR BRAKE DISK	16	92141900001	1	PLAIN WASHER
6	C240C5020002	1	BRAKE DISC,FR(190MM)	17	P1566050000	1	PAD
7	95572235700	1	OIL SEAL, TC TYPE	18	P0566040000	1	SPEEDMETER GEAR
8	C140C160000	1	EXHAUSED NUT	19	92141900002	1	PLAIN WASHER
9	C24011061S00	1	FR WHEEL ASSY, pamplona	20	92061200001	1	LOCK NUT
9	C24011064300	1	FR WHEEL ASSY, st. tropez	21	C2403303000	1	CALIPER, FR BRAKE
9	C24011053K00	1	FR WHEEL ASSY, italia	22	C240C2300000	1	brakes-thin comp
9	C24011077700	1	FR WHEEL ASSY, silver	24	C140C141000	2	SIDE PIN
9	C24011074J00	1	FR WHEEL ASSY, brit	25	C140C330000	1	YOKE SPRING
9	C24011076D00	1	FR WHEEL ASSY, black	26	C140C040000	1	WATERPROOF RING
10	90190804002	2	HEXAGON FLANGE BOLT (M8*40L)	27	C140C030000	1	OIL SEAL RING
				28	C140C060000	1	EXHAUSTED SCREW

F6 Windshield, Front Inner Cover Buddy 170

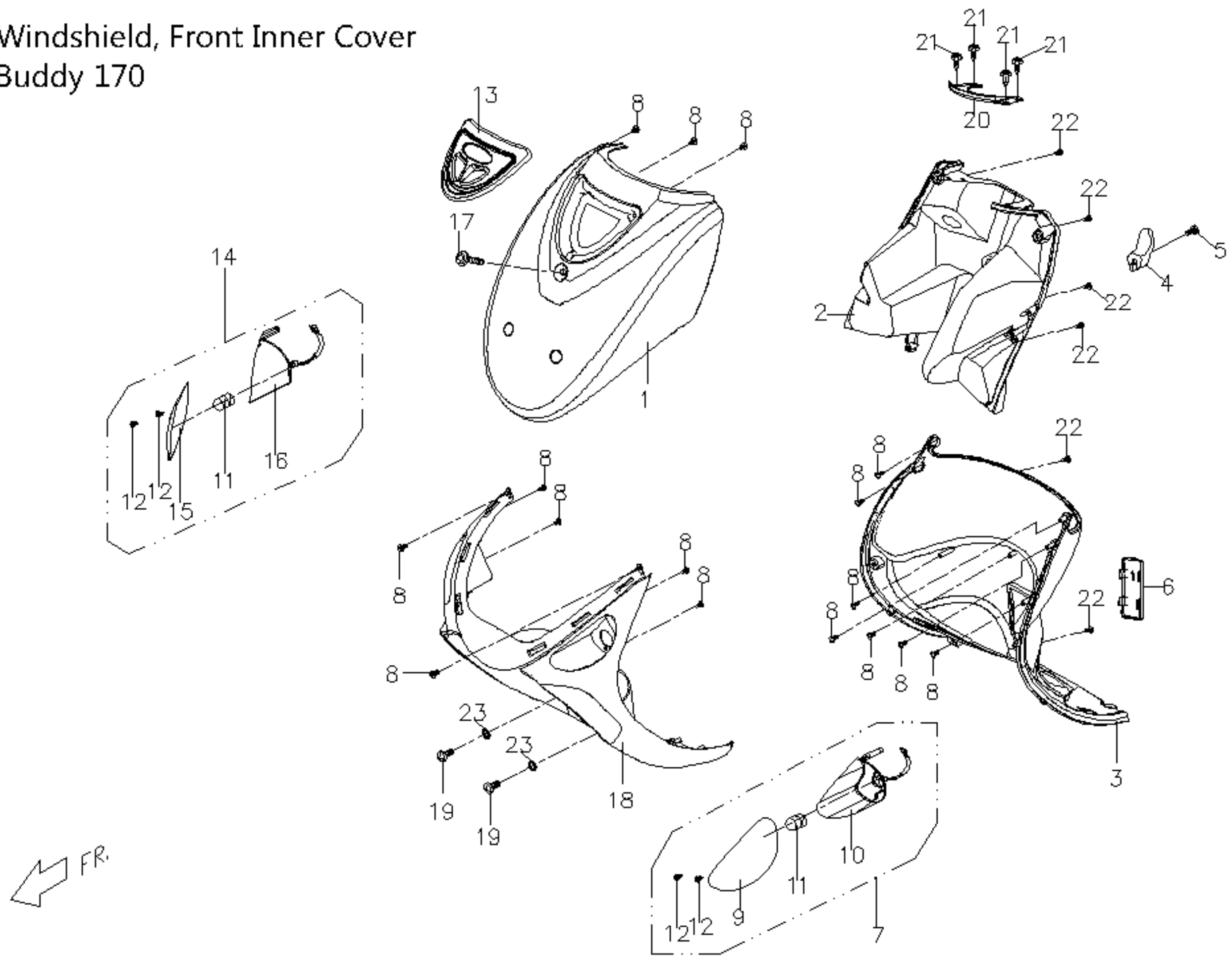


Table - F6 WINDSHIELD , INNER FRONT COVER

NO.	PartNo.	Q'TY	PART NAME	NO.	PartNo.	Q'TY	PART NAME
1	SEE PAGE 1	1	WINDSHIELD SEE PAGE ONE DIAGRAM	18	SEE PAGE 1	1	COVER, FRT LOWER SEE PAGE 1 DIAGRAM
2	SEE PAGE 1	1	FRONT INNER COVER, UPPER	19	90040601601	2	C-R MACHINE HD,TAPPING SCREW M6*16L
3	SEE PAGE 1	1	FRONT INNER COVER LOWER	20	SEE PAGE 1	1	FRONT PANEL INNER COVER see Diagram P 1
4	P5701211650	1	FRONT HOOK BLACK	21	E1701040000	4	SCRIVET COMP
4	P57012113L0	1	FRONT HOOK ITALIA	22	90130501400	6	C-R MACHINE HD,TAPPING SCREW M5*14L
4	P57012112N0	1	FRONT HOOK SUNSET	23	92140600005	2	PLAIN WASHER
4	P57012111U00	1	FRONT HOOK PAMPLONA				
4	P57012111Q0	1	FRONT HOOK LIGHT PINK				
4	P57012114400	1	FRONT HOOK ST. TROPEZ				
4	P57012112Q0	1	FRONT HOOK BROWN				
4	P57012111R0	1	FRONT HOOK POTENT PINK				
4	P57012112800	1	FRONT HOOK MOCHA				
4	P57012113V00	1	FRONT HOOK OXFORD GREEN				
5	90040601601	1	C-R MACHINE HD, TAPPING SCREW M6*16L				
6	SEE PAGE 1	1	IN COVER SEE PAGE 1 FOR COLORS				
7	P566C0100003	1	POSITION LAMP, LH (WHITE)				
8	90110401200	16	C-R RECESS PAN HD. TAPPING SCREW				
9	P566C0200003	1	POSITION LAMP COVER, LH (WHITE)				
11	98211210990	2	BULB SIGNAL (ORANGE) 12V/10W				
12	P566C050000	4	C-R RECESS PAN HD TAPPING SCREW				
13	C2621010000	1	CHROME WINDSHIELD PANEL				
13	C26210106800	1	WINDSHIELD PANEL , psycho black				
14	P566D0100003	1	POSITION LAMP , RH (WHITE)				
15	P566D0200003	1	POSITION LAMP COVER, RH (WHITE)				
17	E1621010000	1	SCREW WITH WASHER				

F7 Step Floor, Battery Buddy 170i

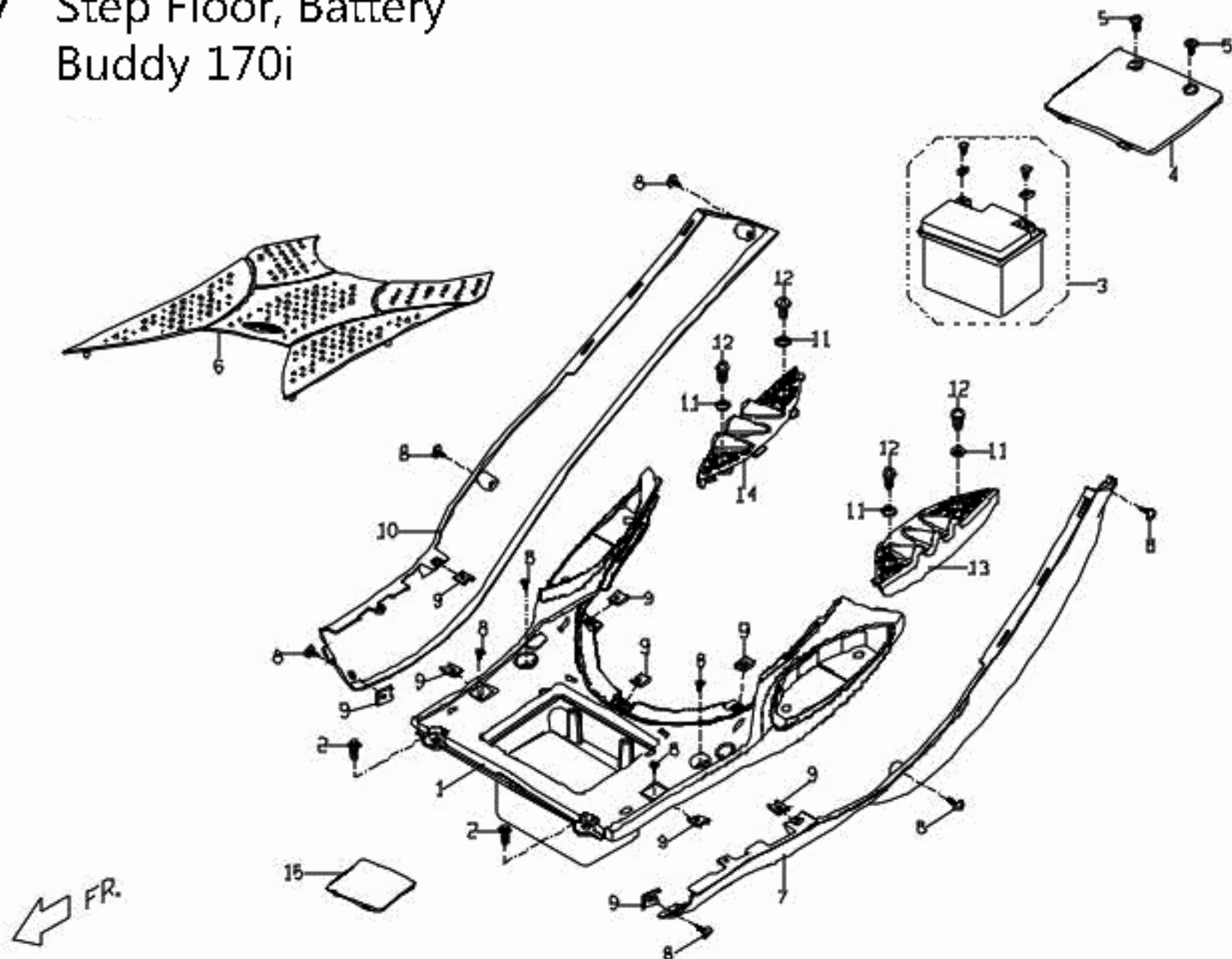


Table - F7 STEP FLOOR, BATTERY

NO.	PartNo.	Q'TY	PART NAME
1	SEE PAGE 1	1	STEP FLOOR, DIAGRAM PAGE 1
2	90200602500	4	SCREW WITH WASHER
3	C2583000000	1	BATTERY
4	C2624031650	1	BATTERY COVER ALL
5	90130501401	2	C-R RECESS PAN HD. TAPPING
6	SEE PAGE 1	1	MAT FLOOR SEE DIAGRAM PAGE 1
7	SEE PAGE 1	1	LH SIDE COVER SEE DIAGRAM PAGE 1
8	90150501602	10	C-R RECESS PAN HD. TAPPING
9	92370500003	9	U TYPE SPRING NUT
10	SEE PAGE 1	1	RH SIDE COVER SEE DIAGRAM PAGE 1
11	92140600018	4	WASHER
12	90040602200	4	CR PAN HD MACHINE SCREW(M6*22L
13	C26240217701	1	STEP PLATE,LH REAR, SILVER
13	C26240216801	1	STEP PLATE,LH REAR, BLACK
14	C262D0216801	1	STEP PLATE,RH REAR, BLACK
14	C262D0217701	1	STEP PLATE,RH REAR, SILVER

F8 Body Cover, Body Cover Frt, Luggage Buddy 170i

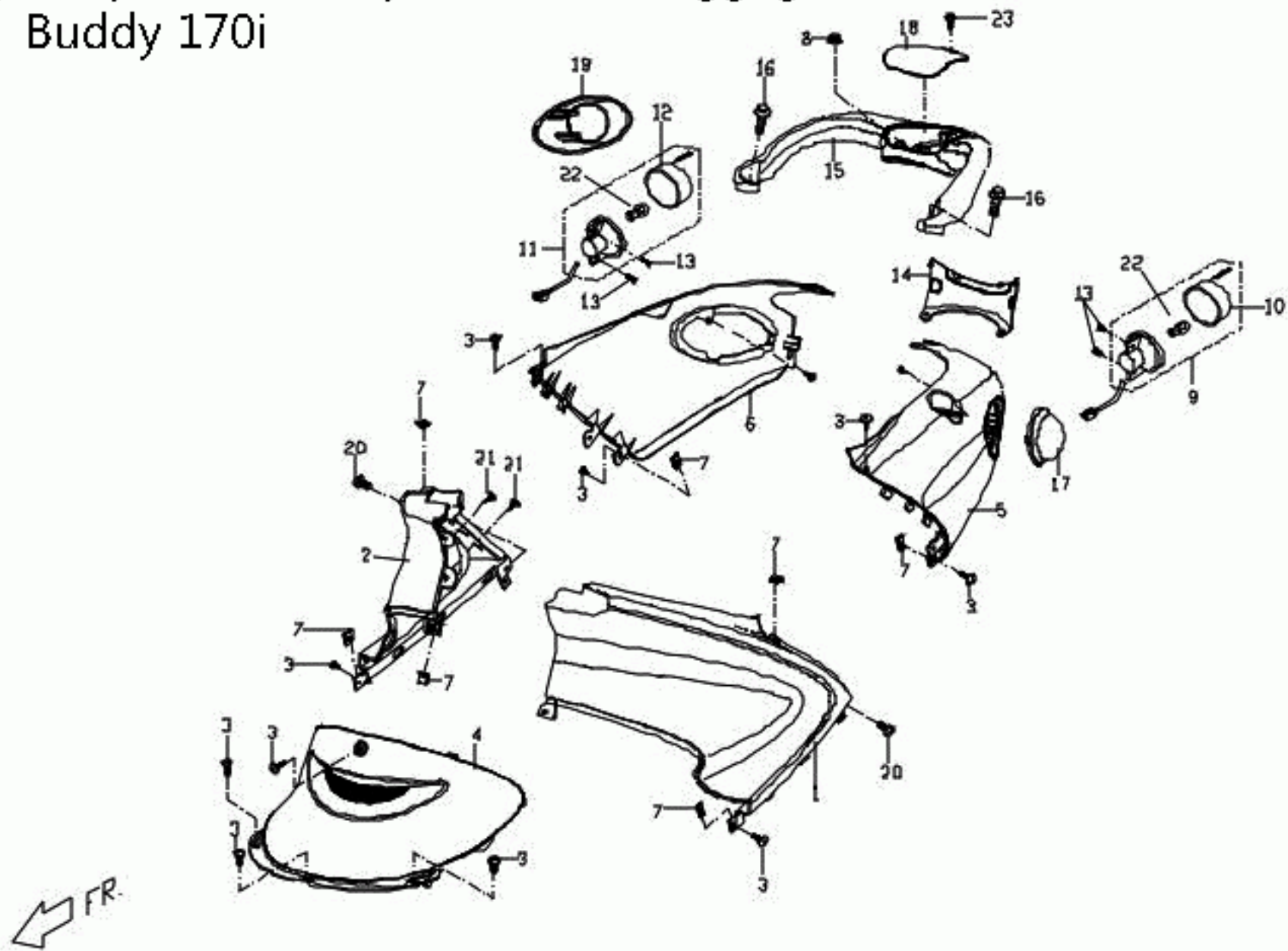


Table - F8 BODY COVER, BODY COVER FRT, LUGGAGE

NO.	Part No.	QTY	PART NAME	NO.	Part No.	QTY	PART NAME
1	SEE PAGE 1	1	BODY COVER, LH FRONT, see Diagram page 1	22	98211210990	2	BULB, SIGNAL (ORANGE) 12V/10W
2	SEE PAGE 1	1	BODY COVER, RH FRONT, see Diagram page 1	23	90110401200	1	CR PAN HD TAPPING SC
3	90150501602	11	C-R RECESS PAN HD. TAPPING				
4	SEE PAGE 1	1	MIDDLE COVER, see Diagram page 1				
5	SEE PAGE 1	1	LH BODY COVER, see Diagram page 1				
6	SEE PAGE 1	1	RH BODY COVER, see Diagram page 1				
7	92370500003	7	U TYPE SPRING NUT				
8	92040800000	1	HEXAGON FLANGE NUT				
9	P566G0110002	1	LH/REAR SIGNAL LAMP COMP.				
10	P566G0200002	1	SIGNAL LAMP COVER LH REAR				
11	P566H0110002	1	RH/REAR SIGNAL LAMP COMP.				
12	P566H0200002	1	SIGNAL LAMP COVER RH REAR				
13	90110401200	4	CR PAN HD TAPPING SC				
14	SEE PAGE 1	1	REAR COVER, SEE DIAGRAM PAGE 1				
15	SEE PAGE 1	1	RR LUGGAGE BRACKET,see Diagram P1				
16	90190802000	2	HEXAGON FLANGE BOLT(M8*20L)				
17	P66256010000	1	LH REAR TS,INNER COVER chrome 2010and older				
17	P66256000002	1	LH REAR TS,INNER COVER chrome 2011>				
17	P66256006803	1	LH REAR TS,INNER COVER psycho black				
18	P6676010000	1	RR LUGGAGE BRACKET COVER BLACK				
19	P6625F010000	1	RH REAR TS ,INNER COVER chrome 2010and older				
19	P662E6000002	1	RH REAR TS ,INNER COVER chrome 2011>				
19	P662E6006803	1	RH REAR TS, INNER COVER psycho black				
20	90040601403	2	C-R PAN HD. MACHINE SCREW				
21	90130501401	2	C-R RECESS PAN HD. TAPPING				

F9 Seat, Luggage, Tail Light Buddy 170i

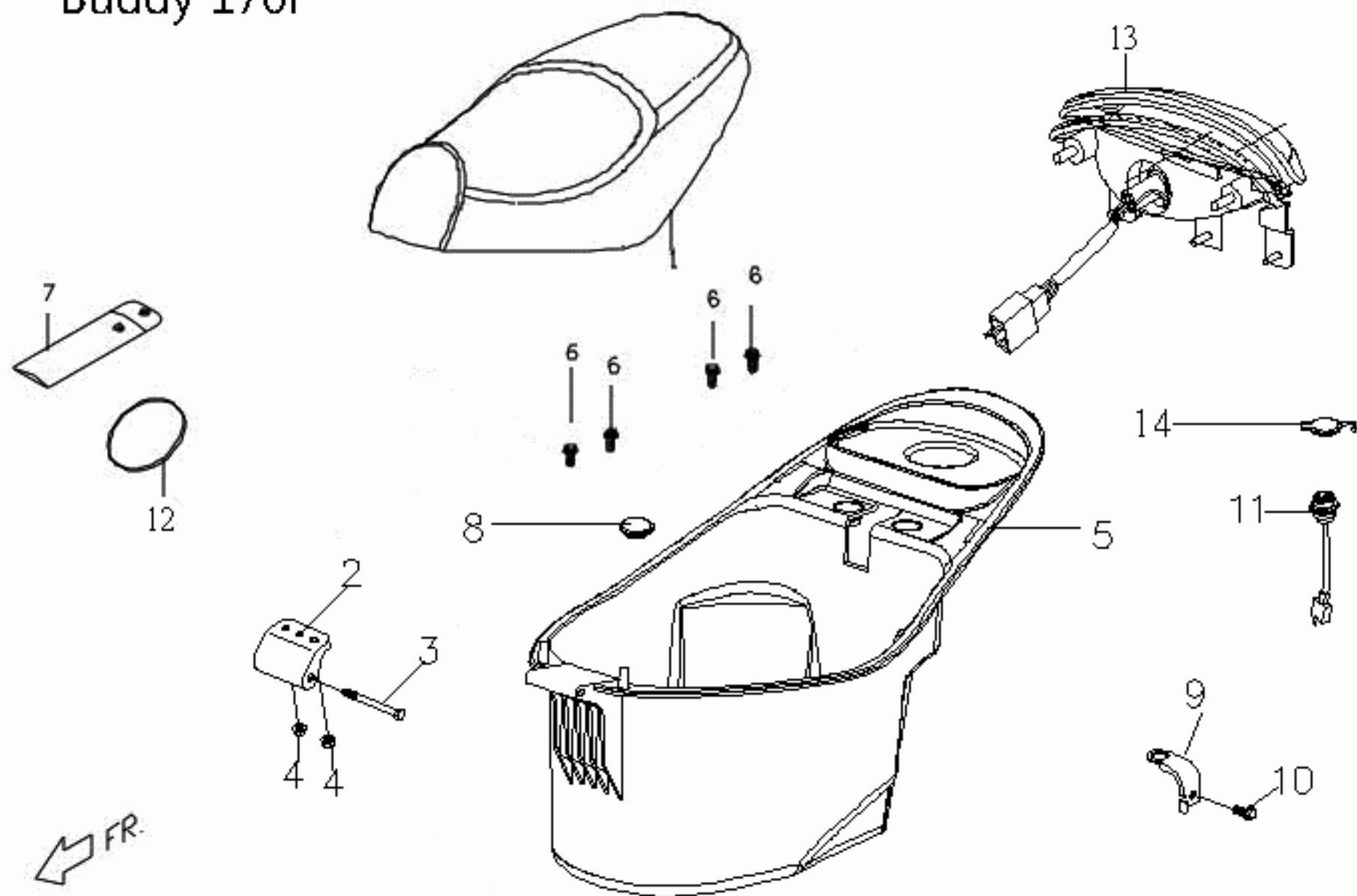


Table - F9 SEAT, LUGGAGE, TAIL LIGHT

NO.	PartNo.	Q'TY	PART NAME
1	P6671000007	1	SEAT ASSY, black
1	P6671000008	1	SEAT ASSY, white
1	P6671000009	1	SEAT ASSY, brown
1	P667100000C	1	SEAT ASSY, Italia
1	P667100000D	1	SEAT ASSY, St. tropez
1	P667100000E	1	SEAT ASSY., pamplona
1	P66710010009	1	SEAT ASSY, brown
2	C1681060000	1	BRACKET, LUGGAGE
3	C1681070000	1	SPECIAL BOLT
4	92040600000	2	HEXAGON FLANGE NUT (M6*1.0P)
6	90190601502	4	HEXAGON FLANGE BOLT(M6*15L)
7	P6701030000	1	TOOL SET CLIP
7	P6706540000	1	TOOL SET
11	C1701180000	1	TOOL KIT
12	P668A020000	1	BOTTOM COVER,RACK
13	92370500003	1	U TYPE SPRING NUT
14	90150501601	1	CR TRUSS HD TAPPING SCREW(M5*16L)
15	P6701030000	1	TOOL SET CLIP
16	P56660000002	1	REAR TAIL LAMP ASSY
16	P66660000000	1	REAR TAIL LAMP ASSY (LED)
18	98311218050	1	BULB(21/5W) (NON LED ONLY)
19	P566F010000	1	TAIL LAMP COVER (NON LED ONLY)
20	P566F050000	2	CR ROUND MACHINE SCREW
21	P66810040000	1	LUGGAGE COMPARTMENT

F10 License Plate, Reflector, License Lamp Buddy 170i

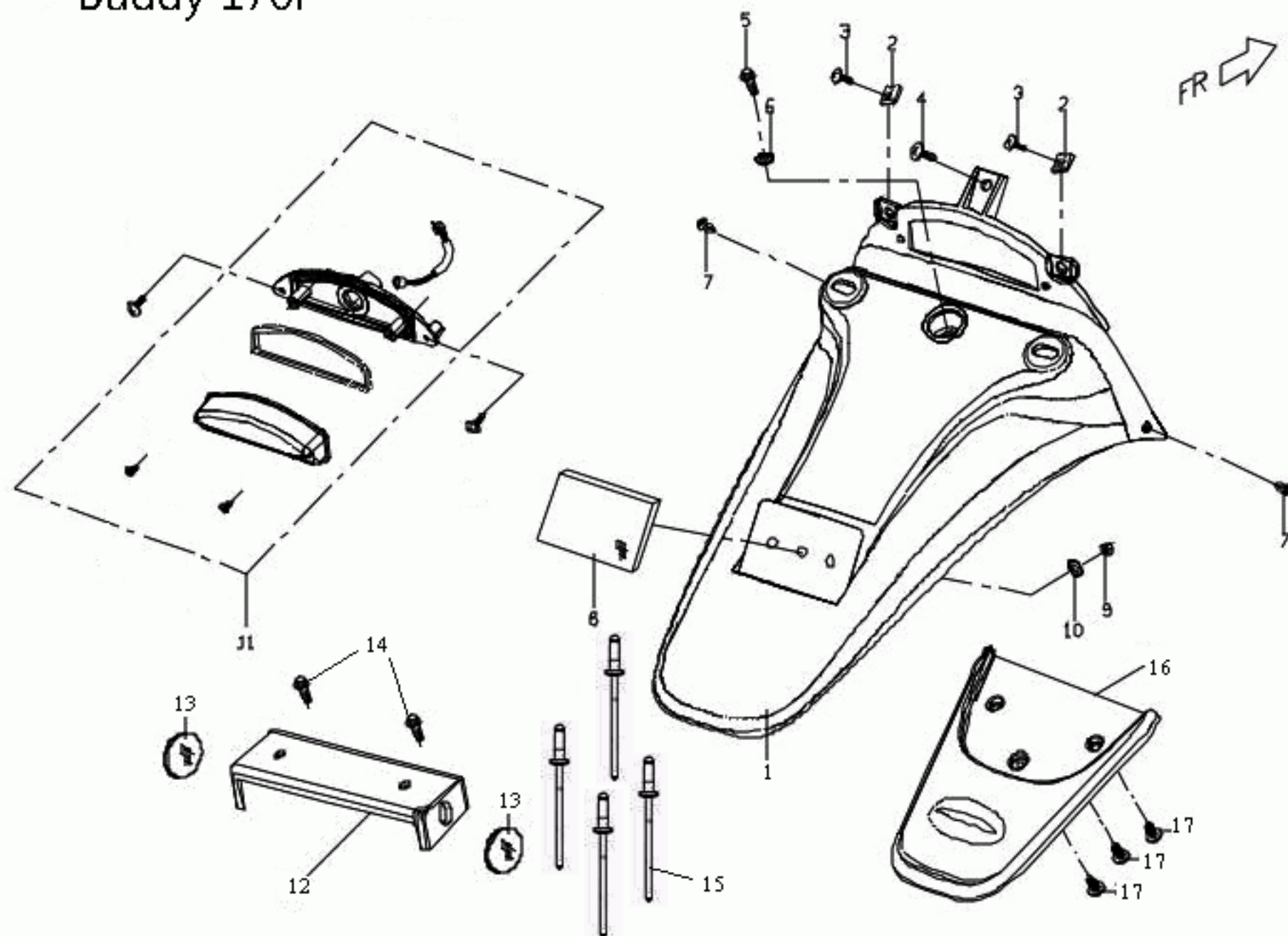


Table - F10 LICENSE PLATE, REFLECTOR LICENSE LAMP

NO.	PartNo.	Q'TY	PART NAME	NO.	PartNo.	Q'TY	PART NAME
1	SEE PAGE 1	1	LICENSE PLATE, see Diagram Page 1	18	90110401200	1	C-R PAN HEAD TAPPING SCREW M4*12L
2	92370500003	2	U TYPE SPRING NUT	19	P6636010650	1	LICENSE PLATE LOWER PART BLACK
3	90150501601	2	CR TRUSS HD TAPPING SCREW(M5*16L)	19	P66360104400	1	LICENSE PLATE LOWER PART St. Tropez
4	90130501401	1	C-R RECESS PAN HD. TAPPING	19	P66360103V00	1	LICENSE PLATE LOWER PART Oxford Grn
5	90040601403	1	C-R PAN HD. MACHINE SCREW	19	P66360103L0	1	LICENSE PLATE LOWER PART Italia
6	92140600018	1	WASHER	19	P66360102Q0	1	LICENSE PLATE LOWER PART Brown
7	E1701040000	2	SPIRAL RIVET	19	P66360102N0	1	LICENSE PLATE LOWER PART Sunset
8	P56690010000	1	REFLECTOR REAR ASSY	19	P66360102800	1	LICENSE PLATE LOWER PART Mocha
9	92020500000	1	HEXAGON NUT (M5*0.8P)	19	P66360101U00	1	LICENSE PLATE LOWER PART Pamplona
10	92140500014	1	PLAIN WASHER	19	P66360101R0	1	LICENSE PLATE LOWER PART Potent Pink
11	P5666900000	1	LICENCE LAMP ASSY.	20	90110401200	3	C-R RECESS PAN HD TAP SCREW M4*12L
12	P566F910000	1	LEN, LICENCE LIGHT	21	C16690000001	2	SIDE REFLECTOR , RED
13	P566F920000	1	SOCKET	22	P5636010000	1	BRACKET, SIDE REFLECTOR
14	P566F930000	1	PACKING	23	92040600000	2	HEXAGON FLANGE BOLT M6*1.0P
15	P566F940000	1	TAPPING SCREW	24	P5708010000	2	PIVOT
16	P566F950000	1	WIRE SET				
17	P566F960000	1	BULB.LICENCE LIGHT 12V-5W				

F11 Fuel Tank
Buddy 170i

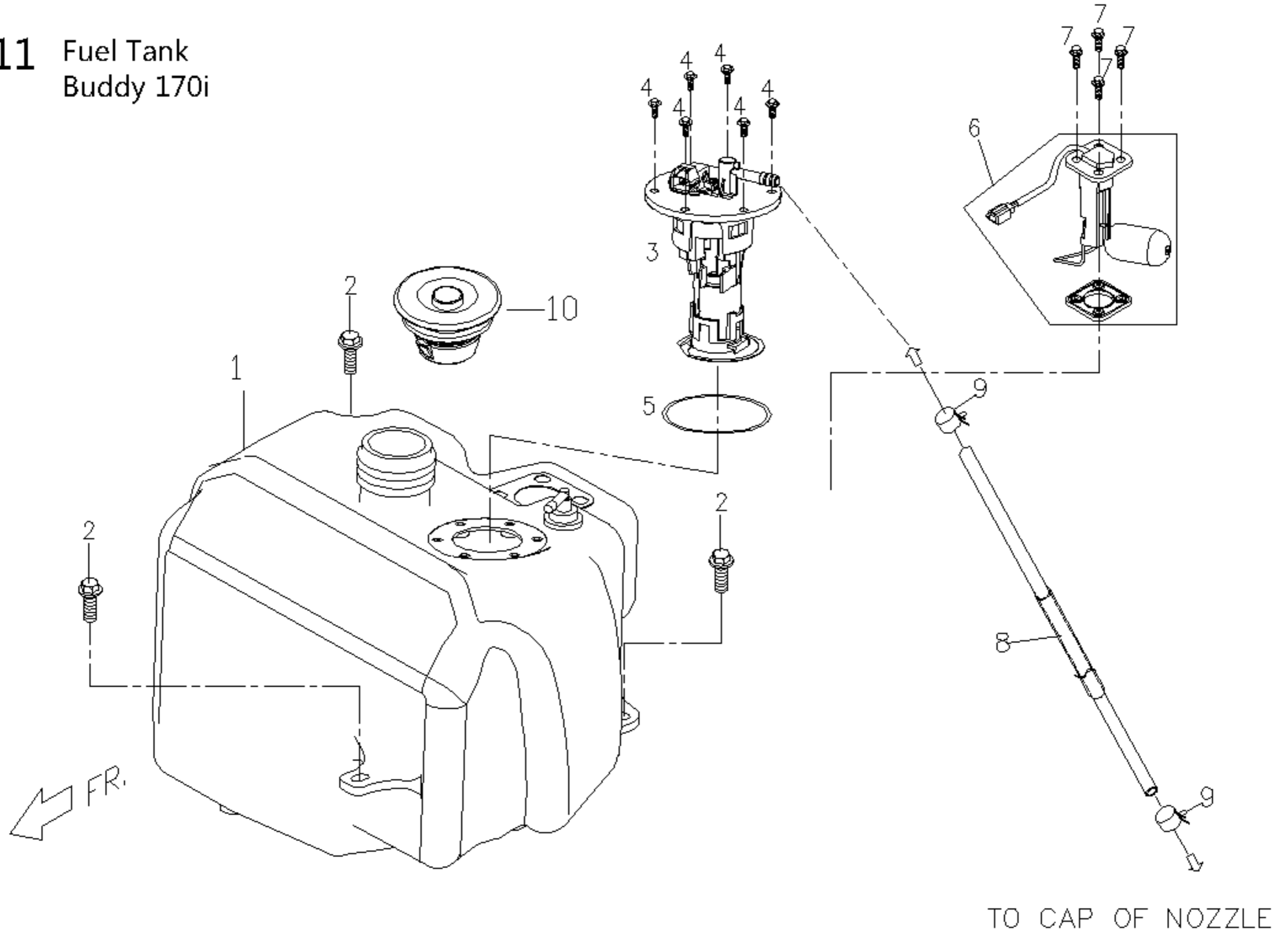


Table- F11 FUEL TANK

NO.	PartNo.	Q'TY	PART NAME
1	P6521500000B	1	FUEL TANK
2	90190601502	3	HEXAGON FLANGE BOLT(M6*15L)
3	P6521800000F	1	FUEL PUMP COMP
4	90200501203	6	HEXAGON FLANGE BOLT
5	95516700000	1	O RING
6	P6521700000B	1	FUEL GUAGE COMP
7	90180501600	4	HEXAGON FLANGE BOLT
8	P6526011000F	1	OIL PIPE
9	ES706010000	2	CLIP
10	ES521301000	1	TANK COVER

F12 Frame Buddy 170i

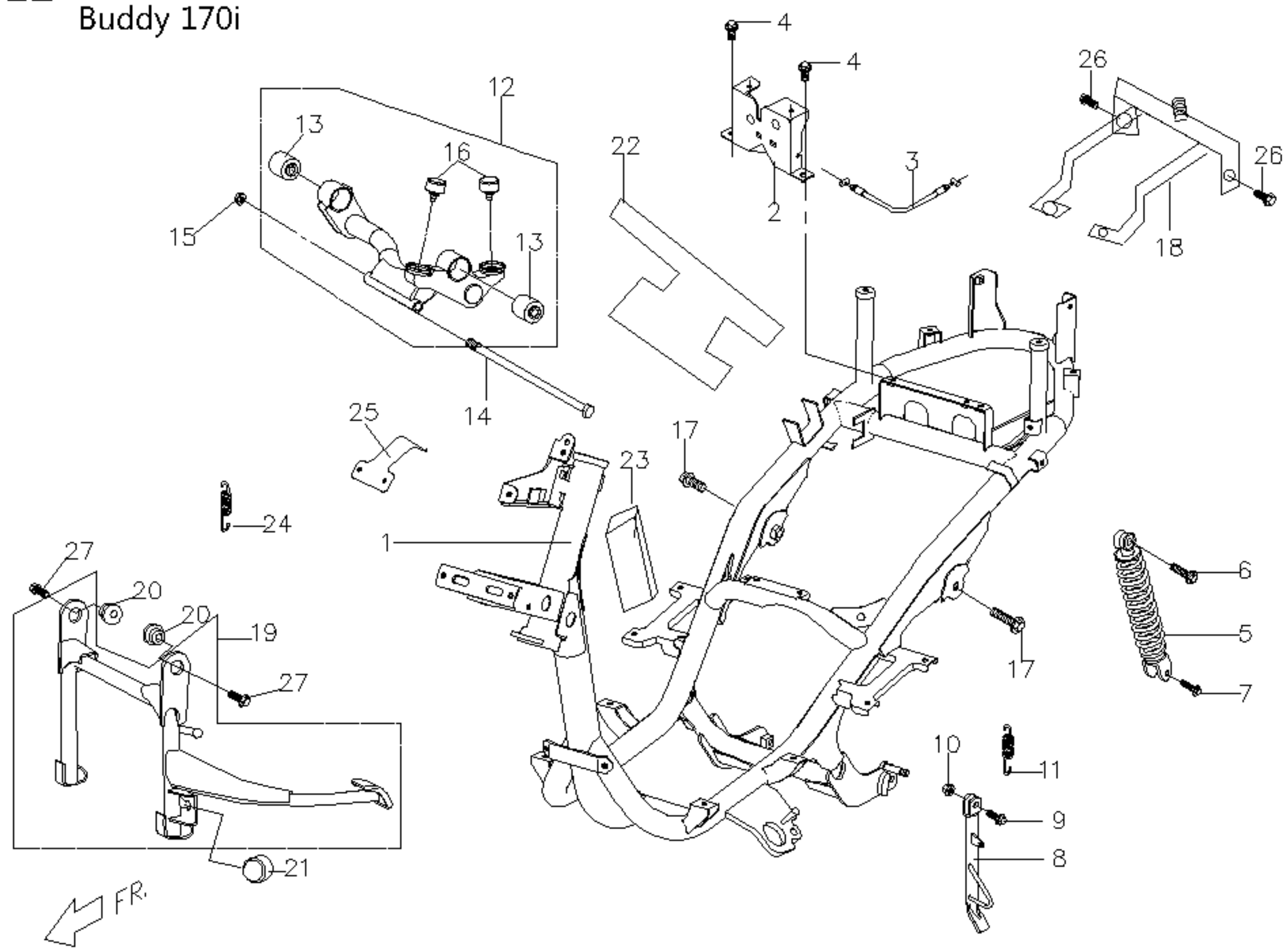


Table - F12 FRAME

NO.	PartNo.	Q'TY	PART NAME	NO.	PartNo.	Q'TY	PART NAME
1	P6421000600B	1	FRAME ASSY .E,D	13	C1486010000	2	PACKING, CUSHION
2	P5671300000	1	SEAT LOCK ASSY	14	90191018000	1	HEXAGON FLANGE BOLT
3	P5671121000	1	SEATLOCK LEVER ROPE	15	92061000001	1	HEXAGON LOCK NUT (M10*1.25P)
4	90190601502	2	HEXAGON FLANGE BOLT(M6*15L)	15	92061000005	1	HEXAGON FLANGE NUT
5	P6481001100F	1	CUSHION ASSY	16	C1486050000	2	RUBBER DAMPING
6	90191004000	1	HEXAGON FLANGE BOLT (M10*1.25P*40L)	17	90191005500	2	HEXAGON FLANGE BOLT (M10*55L)
7	90190803201	1	HEXAGON FLANGE BOLT	19	P6461002600	1	CENTER STAND COMP(ED)
8	P6462000600	1	SIDE STAND COMP.	20	C2461010000	2	BUSH
9	90020803201	1	HEXAGON HEAD BOLT	21	C1701050000	1	RUBBER DAMPING, CENTER STAND
9	90191002800	2	HEXAGON FLANGE BOLT (M10*1.25P	22	P6701020000B	1	WATERPROOF CUSHION
9	90191002800	2	HEXAGON FLANGE BOLT	23	P6426260000C	1	VEHICLE ID NO PLATE
10	92061000000	1	U TYPE FLANGE NUT(M10*1.25P)	24	E1461121000	1	SPRING
11	C2462120000	1	SPRING,SIDE STAND	26	90190601502	2	HEXAGON FLANGE BOLT(M6*15L)
12	P6486000000F	1	ENGINE HANGER COMP				

F13 Wire Harness, Electrical Buddy 170i

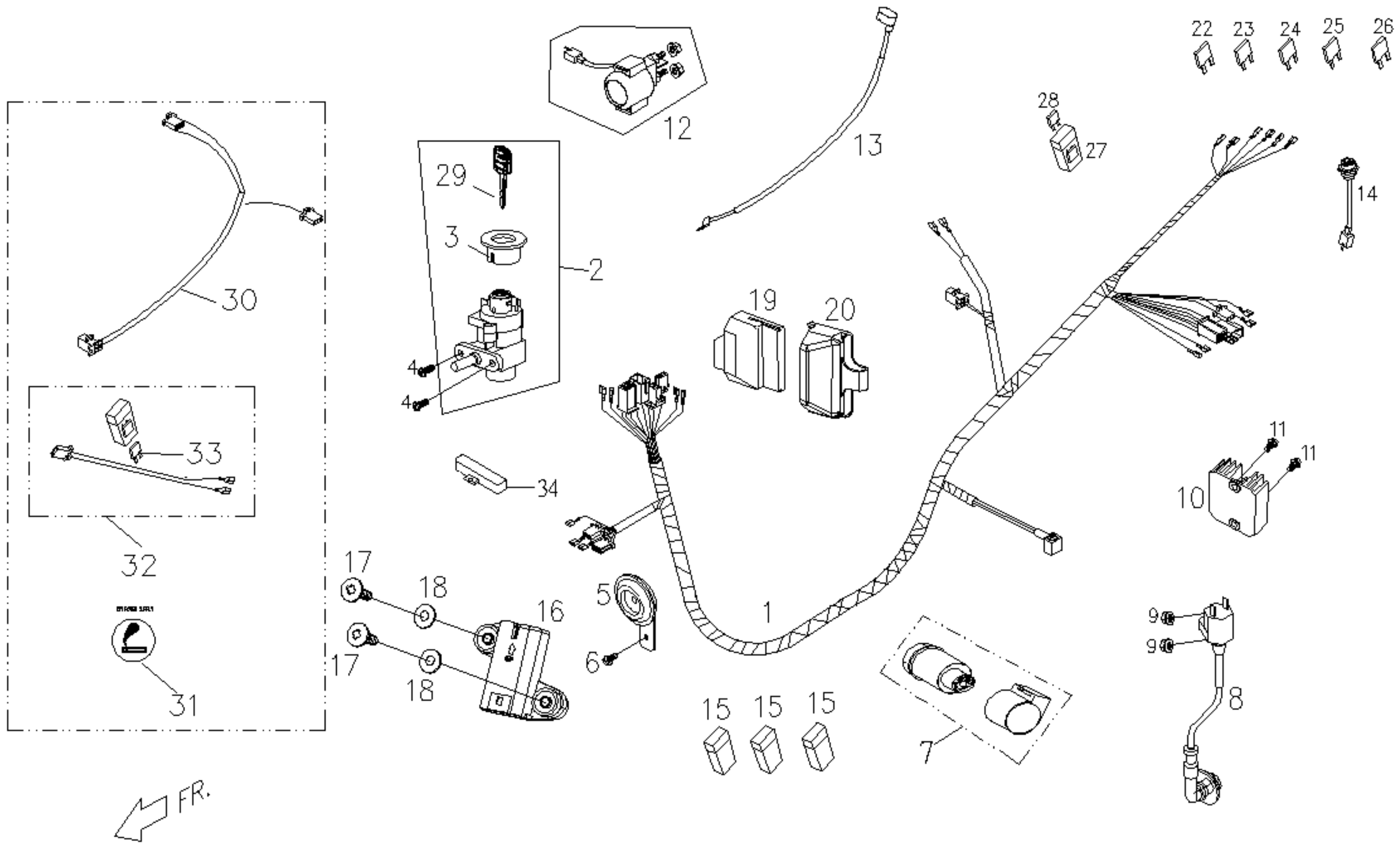


Table - F13 WIRE HARNESS

NO.	PartNo.	Q'TY	PART NAME	NO.	PartNo.	Q'TY	PART NAME
1	P6581600000D	1	WIRE HARNESS	19	P6589000000B	1	ECU (170 ONLY)
2	P6552000000F	1	IGNITION SWITCH COMP.	20	ES5890210000	1	ECU RUBBER
3	P555B020000	1	FACE PLATE	22	98701201000	1	FUSE 1A
4	90040602003	2	CR PAN HD MACHINE SCREW	23	98701205000	1	FUSE 5A
5	P65836010002	1	HORN	24	98701210000	1	FUSE 10A
6	90190601502	1	HEXAGON FLANGE BOLT(M6*15L)	25	98701207500	1	FUSE 7.5A
7	C15860000000	1	FLASHER RELAY ASSY	26	98701201000	1	FUSE 1A
8	P6584601000F	1	COIL COMP IGNITION	27	98701200000	1	FUSE BOX
9	92040600000	2	HEXAGON FLANGE NUT (M6*1.0P)	28	98701215000	1	FUSE 15A
10	ES584000000	1	RECTIFIER COMP.REGULATE	29	ES55B010000	1	KEY
11	90190601502	2	HEXAGON FLANGE BOLT(M6*15L)	30	M25816600000	1	FRONT TURN SIGNAL HARNESS D.O.T.
12	C15810020000	1	STARTER RELAY ASSY	31	B5583040000	1	CHARGING PORT
13	P6583020000	1	BATTERY (+) LINE	32	P25816300000	1	CONNECTING WIRE,SOCKET
14	ES581710000	1	DIAGNOSE ADAPTOR	33	98701201000	1	FUSE 1A
15	ES581200000	3	RELAY	34	BF5866000000	1	RESISTOR
16	ES5891010000	1	TOPPLE SWITCH				
17	90070402000	2	PAN HEAD SCREW				
18	92140400003	2	FLAT RING (42D * 16D * 1.6T)				

F14 Main Stand, Side Stand Buddy 170i

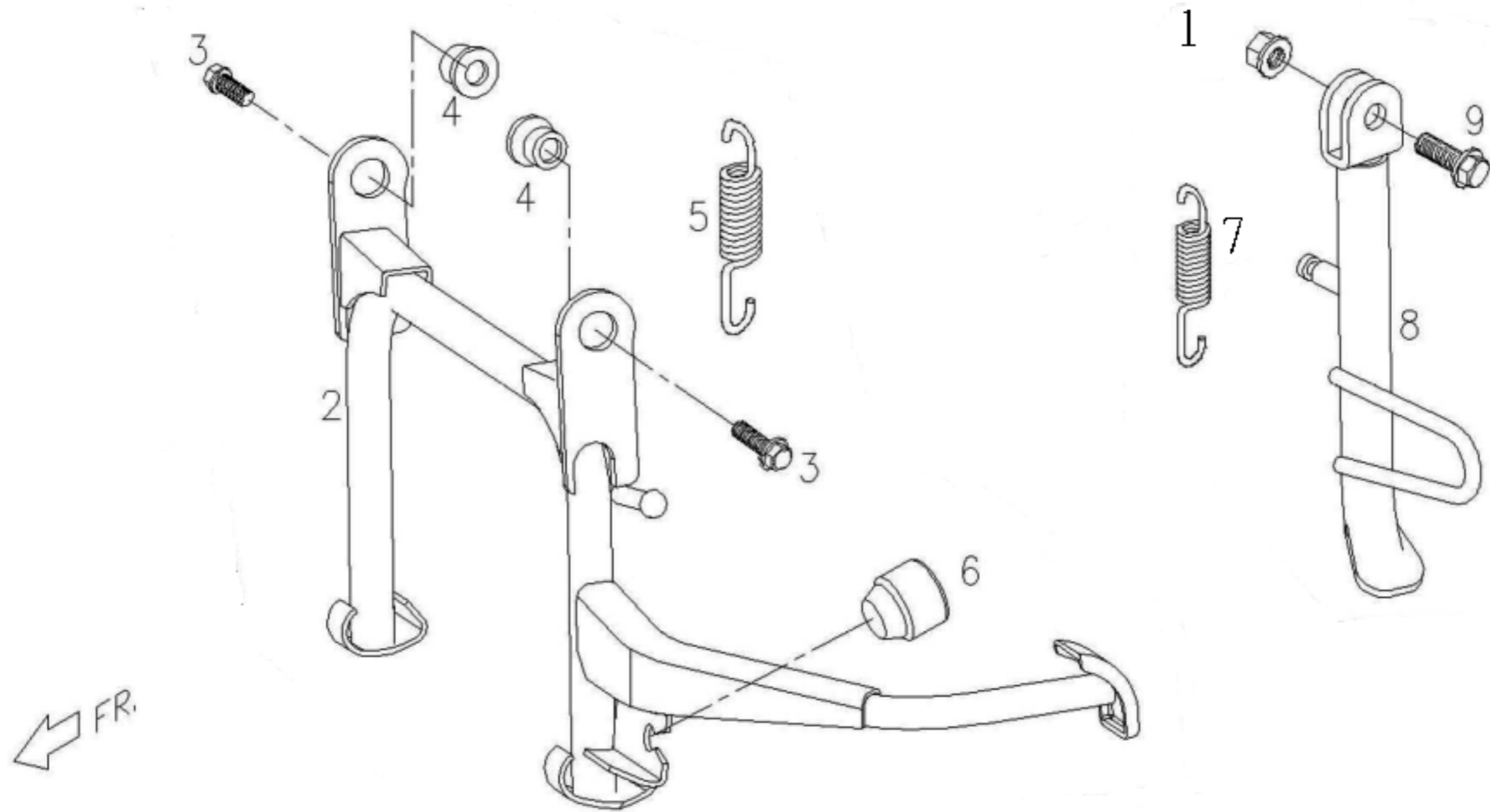


Table - F14 CENTER STAND,SIDE STAND

NO.	PartNo.	Q'TY	PART NAME
1	92060800002	1	HEXAGON FLANGE NUT
2	P6461002600	1	CENTER STAND COMP(ED)
3	90191002000	2	HEXAGON FLANGE BOLT
4	C2461010000	2	BUSH
5	E1461121000	1	SPRING
6	C1701050000	1	RUBBER DAMPING, CENTER STAND
7	C2462120000	1	SPRING,SIDE STAND
8	P6462000600	1	SIDE STAND COMP.
9	90020803201	1	HEXIGON HEAD BOLT

F15 Emblems, Logos, Stickers Buddy 170i

ATTENTION

- PLEASE WEAR HELMET WHILE RIDING
- FOR SECURITY, PLEASE DON'T TAMPER ANY PART
- PLEASE PERFORM THE CHECK AND MAINTENANCE ACCORDING TO PROVISION
- LOADING OF LUGGAGE BOX CAN'T BE MORE THAN LONG
- DON'T TOUCH EXHAUST PIPE WHILE WARM ENGINE
- BEFORE RIDING, PLEASE READ USER MANUAL IN DETAIL

1



7

TO KEEP SCOOTER RUNNING SMOOTHLY, CHANGE ENGINE OIL AT 300 Km FOR A NEW SCOOTER, THEN EVERY 3000 Km PERIODICALLY.

2



8

THIS VEHICLE IS A LIMITED SPEED MOTORCYCLE AND USE OF THIS VEHICLE MAY BE RESTRICTED BY PROVINCIAL AUTHORITIES TO CERTAIN ROADS.

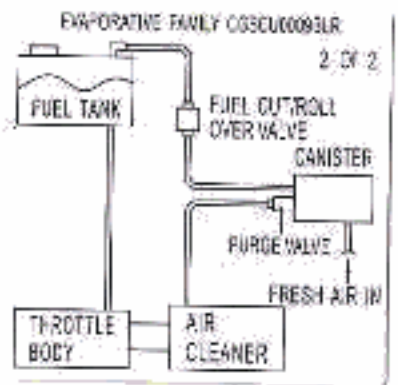
CE VEHICULE EST UNE MOTOCYCLETTE A VITESSE LIMITEE ET L'UTILISATION DE CE VEHICULE PEUT ETRE RESTREINTE A CERTAINES ROUTES PAR LES GOUVERNEMENTS PROVINCIAUX.

3

保險絲說明 FUSE EXPLAIN

- 1A: 電子控制裝置 ELECTRONIC CONTROL UNIT
- 5A: 燃油泵/噴嘴 FUEL PUMP/NOZZLE
- 7.5A: 點火控制裝置 IGNITION
- 10A: 電機系統 EMS

9



16

WARNING

- This socket is for temporary charging purpose only. Maximum output current is 1A.
- Use this socket under Key-On position only when engine is running; do not use the socket when the engine is NOT running.
- Use the fuse with the same specification as the factory setting. (12V1A).
- Fuse is located at the back of the socket.

4

DON'T MOTOR THE ENGINE UNTIL THE "EMS CHECK" LIGHT IS OFF AFTER TURN ON THE KEY. FIND A PGO DEALER NEARBY IF THE "EMS CHECK" LIGHT IS ON WHEN DRIVING.

10

Motorcycle Noise Emission Control Information
 This [] PA 170 motorcycle
 RFVPAC90 00100000
 meets EPA noise emission requirements of 78.3dBA at 6550 rpm
 by the Federal test procedure. Modifications which cause this motorcycle to exceed Federal noise standards are prohibited by Federal law. See owner's manual.

15



5

Buddy 170i

11

限用無鉛汽油 UNLEADED GAS ONLY

14

Important Engine Information
Vehicle Emission Control Information 1 of 2

Date of Mfg: MM/YYYY
 Importer: Genuine Scooters, LLC
 Original Manufacturer: Motive Power Industry Co., Ltd.
 Engine Displacement: 169 cc Perseption Family: CGSCMETALFP
 Engine Family: CGSCC 169PAL Evap Family: CGSCU0093LR
 This vehicle conforms to US EPA and California regulations applicable to 2012 model year new motorcycles and is certified to 1.8g/km HC, 12 g/km CO exhaust emissions standards in California.
 Engine Exhaust Control system: SFI
 Engine Tune up Specifications:
 Ignition Timing: Non Adjustable
 Idle Speed: 1,700±100 rpm
 Idle Mixture: Non Adjustable

Valve Clearance: 0.08 mm
 Spark Plug: NGK CR7HSA Spark Plug Gap: 0.8 mm
 Fuel: 91 (R1M)/2 Octane or above (Unleaded Gasoline Only)
 Crankcase Oil: 15W40 Made in Taiwan

12



13

Table - F15 EMBLEMS, STICKERS, LABELS

NO.	PartNo.	Q'TY	PART NAME
1	C16030010001	1	NOTICE ADHSIVE LABEL
2	C16030120001	1	OIL CHANGE LABEL
3	C1603070000	1	TIRE INFORMATION PAPER
4	P26031100000	1	WARNING LABEL,SOCKET
5	P66014000000	1	GENUINE LOGO STICKER
7	P6601A500002	2	WINDSHIELD LABEL
8	P6601A900000	1	MADE IN TAIWAN STICKER
9	P6603300000F	1	FUSE EXPLAIN STICKER
10	ES6030800001	1	" EMS CHECK " STICKER
11	P6601A800000	1	Buddy 170i
12	P66034100000	1	ENGINE INFORMATION STICKER
13	P6601A500001	1	WINDSHIELD LABEL
14	C1603020000	1	STICKER, FUEL TYPE
15	P66034200000	1	NOISE EMISSION CONTROL INFORMATION PAPER
16	P66034900000	1	E.E.C MARK STICKER

F16 E.E.C. System Buddy 170i

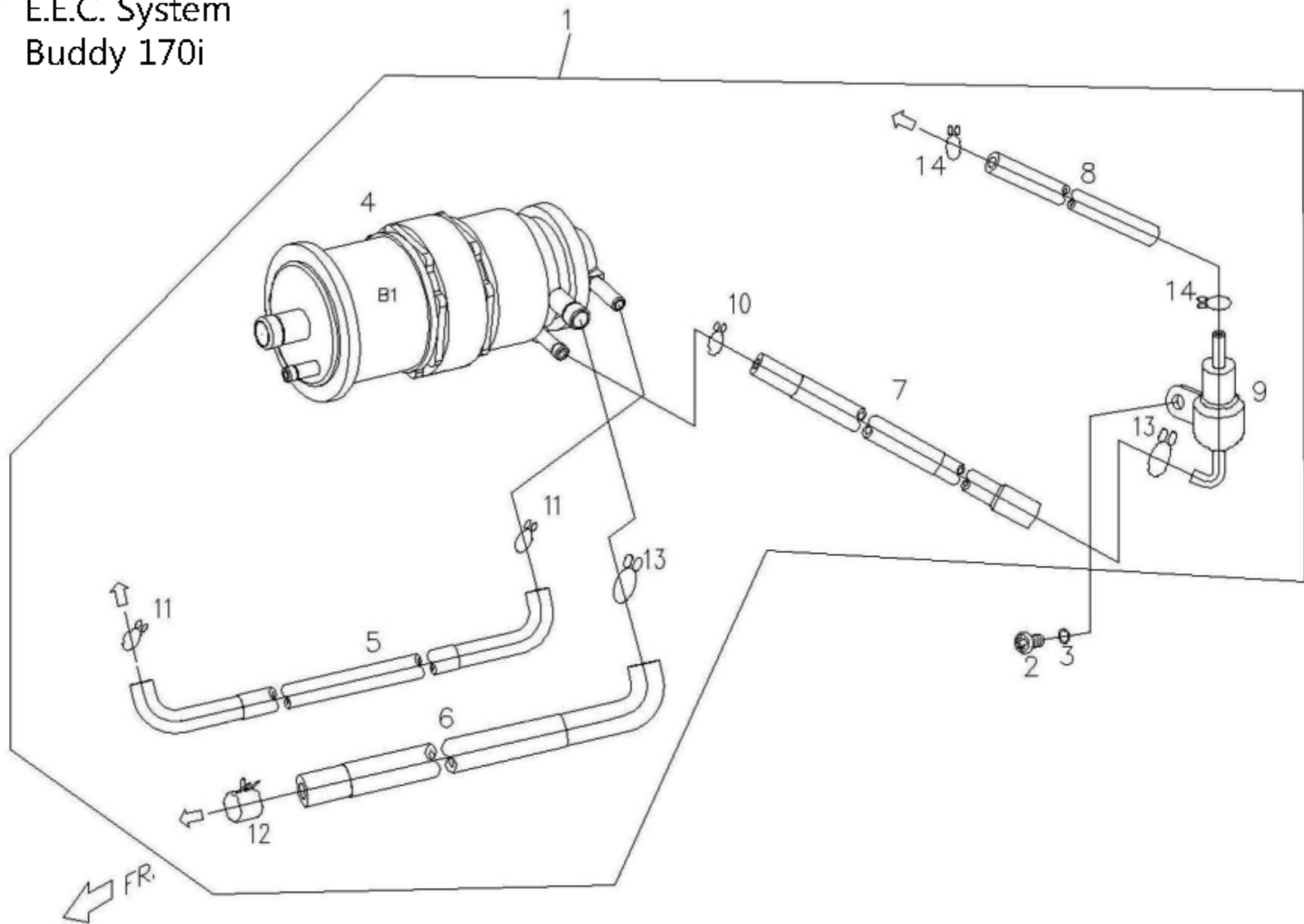


Table - F16 EEC.SYSTEM

NO.	PartNo.	Q'TY	PART NAME
1	P6524000000B	1	E.E.C.SYSTEM
2	90050601002	1	CR ROUND HD MACHINE SCREW(M6*10L)
3	92140600005	1	WASHER (6.4D*13D*1T)
4	M2524060000	1	CANISTER/PCV COMP
5	P6524010000B	1	RUBBER HOSE
6	P6524010000B	1	RUBBER HOSE
7	P6524030000B	1	RUBBER HOSE
8	P6524040000B	1	RUBBER HOSE
9	M2524040000	1	FCV
10	P552D070000	1	CLIP
11	C152D030000	2	CLIP
12	C152D060000	1	PLATE CLIP
13	C152D050000	2	CLIP
14	P552D080000	2	CLIP