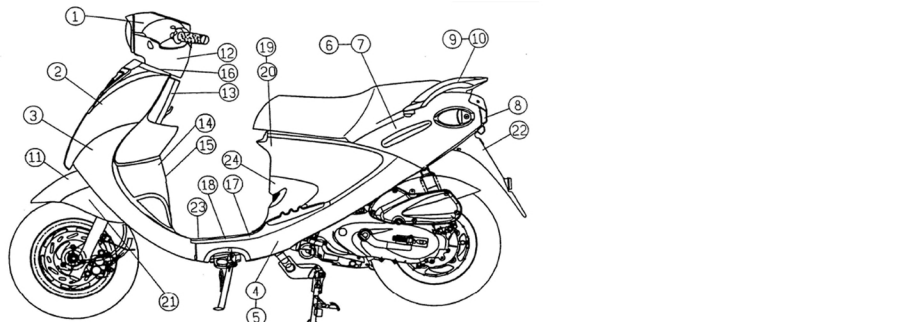


## Buddy 50 Table of Contents

Table	System	Page
Page 1	Body Panels	2
E1	Crankcase, Oil Pump	3
E2	Fan Cylinder	5
E3	Generator	7
E4	Driving Face	9
E5	Crankshaft, Piston	11
E6	Belt, Pulley Driven Face	13
E7	LH Side Cover	15
E8	Transmission	17
E9	Caburetor	19
E10	Air Cleaner	21
E11	Muffler	23
E12	Rear Wheel	25
E13	Stands	27

Table	System	Page
F1	Headlight , Steering Handle	29
F2	Speedometer	31
F3	Cable, Switches	33
F4	Fork, Front Fender	35
F5	Front Wheel , Caliper	37
F6	Windshield, Inner Cover	39
F7	Step Floor , Side Cover, Battery	41
F8	Body Cover, Luggage Bracket	43
F9	Seat, Under Seat, Tail Light	45
F10	License Plate, Reflectors, Light	47
F11	Fuel Tank	49
F12	Frame	51
F13	Wire Harnes, Electrical, Ignition	53
F14	Oil Tank	55
F15	Stickers, Logos, Emblems	57



UPDATED 17.OCT.2014

**BUDDY 50/125/150/170**

Name/Color	2014 RIOT	ALL ITALIA	2008- RED	2008- LIGHT BLUE	ALL SANTROPEZ	ALL PAMPOLNA	BRIT 2014>	2008> BLACK	2014> ROYAL BLUE	2009> ORANGE	2008> SEA FOAM
1. HANDLE UPPER COVER	P66130017R02	P66130013K02	P66130011I02	P66130014Z02	P66130014302	P66130011502	P66130014J02	P66130016902	P66130014A02	P66130012T02	P66130013N02
1A. 2008 HANDLE UPPER COVER SMALL	NA	NA	NA	NA	NA	NA	NA	P56130006902	NA	NA	NA
2. WINDSHIELD	P66210037R00	P6621003K00	P66210011I00	P66210014Z00	P66210014300	P66210011500	P6621003A00	P66210006900	P66210034A00	P66210012T00	P66210013N00
3. FRT LOWER COVER	P56260137R00	P56260133I00	P56260131I00	P56260134Z00	P56260137U00	P56260132U00	P56260137500	P56260136900	P56260134A00	P56260132T00	P56260133N00
4. LH SIDE COVER	P66263007R00	P6626300J00	P6626300I00	P66263004Z00	P66263007U00	P66263002U00	P66263007500	P66263006900	P66263004A00	P66263002T00	P66263003N00
5. RH SIDE COVER	P66265007R00	P6626500K00	P6626500I00	P66265004Z00	P66265007U00	P66265002U00	P66265007500	P66265006900	P66265004A00	P66265002T00	P66265003N00
6. LH BODY COVER	P66253047R00	P6625304I00	P66253011I00	P66253014Z00	P66253014300	P66253011500	P6625304A00	P66253016900	P6625304I00	P66253012T00	P66253013N00
7. RH BODY COVER	P66255027R00	P6625502K00	P66255011I00	P66255014Z00	P66255014300	P66255011500	P6625502A00	P66255016900	P6625502I00	P66255012T00	P66255013N00
8. REAR COVER	P66265701R00	P66265700K00	P66265700I00	P662657004Z00	P662657004300	P662657001500	P66265701A00	P662657006900	P66265701A00	P662657002T00	P662657003N00
9. RR LUGGAGE BRACKET	P66760026800	P66760007J00	P66760007I00	P66760007J00	P66760007J00	P66760007J00	P66760027500	P66760006800	P66760007J00	P66760007J00	P66760007J00
10. RR LUGGAGE COVER	P66760100000	P66760100000	P66760100000	P66760100000	P66760100000	P66760100000	P66760100000	P66760100000	P66760100000	P66760100000	P66760100000
11.1. FRT SECTION,FRT FENDER(50cc)	P56320017R00	P56320003J00	P56320001I00	P56320004Z00	P56320004A00	P56320002U00	P56320017500	P56320006900	P56320014A00	P56320002T00	P56320003N00
11.2. FRT SECTION,FRT FENDER(125/150/170)	P66320007R00	P66320003J00	P66320001I00	P66320004Z00	P66320004A00	P66320002U00	P66320007500	P66320006900	P66320004A00	P66320002T00	P66320003N00

**BUDDY 50/125/150/170**

12. HANDLE LOWER COVER	P66140016502	P66140013L02	P66140016502	P66140016502	P66140024402	P66140021U02	P66140016502	P66140016502	P66140016502	P66140016502	P66140016502
12.A. 2006 HANDLE LOWER COVER SM	NA	NA	NA	NA	NA	NA	NA	P561D0006500	NA	NA	NA
13.1 UPPER SECTION,(W/ CHARGING SEAT)	P5623030650	P56230303L01	P5623030650	P5623030650	P56230304401	P56230301U01	P5623030650	P5623030650	P5623030650	P5623030650	P5623030650
14.2 LOWER SECTION,(W/H MFG PLATE)	P562C0406500	P562C0403L00	P562C0406500	P562C0406500	P562C0404400	P562C0401U00	P562C0406500	P562C0406500	P562C0406500	P562C0406500	P562C0406500
15. VIN COVER	P5623010650	P56230103L01	P5623010650	P5623010650	P56230104400	P56230101U00	P5623010650	P5623010650	P5623010650	P5623010650	P5623010650
16.FRT PANEL,INNER COVER	P5623020650	P56230203L01	P5623020650	P5623020650	P56230204400	P56230201U00	P5623020650	P5623020650	P5623020650	P5623020650	P5623020650
17. STEPIFLOOR	P6624001650	P66240013L01	P6624001650	P6624001650	P66240024400	P66240021U00	P6624001650	P6624001650	P6624001650	P6624001650	P6624001650
18. BATTERY COVER	C2624031650	C2624031650	C2624031650	C2624031650	C2624031650	C2624031650	C2624031650	C2624031650	C2624031650	C2624031650	C2624031650
19. BODY COVER, LH FRT	P662E010650	P662E0103L01	P662E010650	P662E010650	P662E0104400	P662E0101U00	P662E010650	P662E010650	P662E010650	P662E010650	P662E010650
20. BODY COVER, RH FRT	P662E020650	P662E0203L01	P662E020650	P662E020650	P662E0204400	P662E0201U00	P662E020650	P662E020650	P662E020650	P662E020650	P662E020650
21.1.RR SECTION, FRT FENDER(50cc)	P5632600650	P56326003L00	P5632600650	P5632600650	P56326004400	P56326001U00	P5632600650	P5632600650	P5632600650	P5632600650	P5632600650
21.2.RR SECTION, FRT FENDER(125/150/170)	C2632601000	C26326013L01	C2632601000	C2632601000	C26326014400	C26326011U00	C2632601000	C2632601000	C2632601000	C2632601000	C2632601000
22. LICENCE PLATE	P5636003650	P56360033L01	P5636003650	P5636003650	P56360034400	P56360031U00	P5636003650	P5636003650	P5636003650	P5636003650	P5636003650
23. MAT FLOOR	P66245010000	P66245010002	P66245010000	P66245010000	P66245010003	P66245010004	P66245010000	P5636003650	P5636003650	P66245010000	P66245010000
24. MIDDLE COVER	P6625010650	P66250103L01	P6625010650	P6625010650	P66250104400	P66250101U00	P6625010650	P6625010650	P6625010650	P6625010650	P6625010650

**BUDDY 50/125/150/170**

Name/Color	2008> WHITE	2009 BLACK JACK	2012 PSYCHO	BUDDY 170 MATTE BLACK	2012/13 NEW PINK	BUDDY 170 OXFORD GREEN	BUDDY 170 MOCHA / CREME	BUDDY 170 ZEPHYR SILVER	2006/2007 CREAM	2006>2009 PINK	Lt.	2006/2007 SUNSET
1. HANDLE UPPER COVER	P66130017I02	P66130016802	P66130016802	P66130016802	P66130011A02	P66130013U02	P66130014Z02	P66130017I02	P66130012M02	P66130011Q02		P66130012N02
1A. 2008 HANDLE UPPER COVER SMALL	NA	NA	NA	NA	NA	NA	NA	NA	P56130006900	P56130001Q00		P56130002N00
2. WINDSHIELD	P66210027I00	P66210026800	P66210026800	P66210036800	P66210031A00	P66210033U00	P66210032A00	P66210037I00	P5612002M00	P66210001I00		P66210002N00
3. FRT LOWER COVER	P56260137I00	P56260136800	P56260136800	P56260136800	P56260131A00	P56260133U00	P56260132500	P56260137I00	P56260132M00	P56260131Q00		P56260132N00
4. LH SIDE COVER	P66263007I00	P6626300J000	P6626300J000	P6626300A000	P66263001U00	P66263003U00	P66263002I00	P66263007I00	P66263002M00	P56263001I00		P66263002N00
5. RH SIDE COVER	P66265007I00	P6626500K000	P6626500K000	P6626500E000	P66265001A00	P66265003U00	P66265002500	P66265007I00	P66265002M00	P66265001Q00		P66265002N00
6. LH BODY COVER	P66253047I00	P6625304I6800	P6625304I6800	P6625304E000	P66253041A00	P66253043U00	P66253042A00	P66253047I00	P66253041M00	P66253041I00		P66253042N00
7. RH BODY COVER	P66255017I00	P66255016800	P66255016800	P6625502E000	P66255021A00	P66255023U00	P66255022A00	P66255017I00	P66255012M00	P66255011Q00		P66255012N00
8. REAR COVER	P66265700I00	P66265700E000	P66265700E000	P66265701E000	P662657011A00	P662657013U00	P662657012A00	P66265700I00	P662657002M00	P662657001I00		P662657002N00
9. RR LUGGAGE BRACKET	P66760026800	P66760006800	P66760006800	P6676002E000	P66760007I00	P66760007I00	P66760007I00	P66760007I00	P66760002M00	P66760007I00		P66760007I00
10. RR LUGGAGE COVER	P66760100000	P66760100000	P66760100000	P66760100000	P66760100000	P66760100000	P66760100000	P66760100000	P66760100000	P66760100000		P66760100000
11.1. FRT SECTION,FRT FENDER(50cc)	P56320007I00	NA	NA	NA	P56320011A00	NA	NA	NA	P56320002M00	P56320001Q00		P56320002N00
11.2. FRT SECTION,FRT FENDER(125/150/170)	P66320007I00	P66320006800	P66320006800	P66320006800	P66320001A00	P66320003U00	P66320002500	P66320007I00	P66320002M00	P66320001Q00		P66320002N00

**BUDDY 50/125/150/170**

12. HANDLE LOWER COVER	P66140016502	P66140016502	P66140016502	P66140016502	P66140016502	P66140043V02	P66140042802	P66140016502	P66140016502	P66140011R02		P66140012Q02
12.A. 2006 HANDLE LOWER COVER SM	NA	NA	NA	NA	NA	NA	NA	NA	P561D0006500	P561D0001Q00		P561D0002Q00
13.1 UPPER SECTION,(W/ CHARGING SEAT)	P5623030650	P5623030650	P5623030650	P5623030650	P5623030650	P56230313V00	P56230312801	P5623030650	P5623030650	P56230301R00		P56230302Q00
14.2 LOWER SECTION,(W/H MFG PLATE)	P562C0406500	P562C0406500	P562C0406500	P562C0406500	P562C0406500	P56230413V00	P562C0412800	P562C0406500	P562C0406500	P562C0401R00		P562C0402Q00
15. VIN COVER	P5623010650	P5623010650	P5623010650	P5623010650	P5623010650	P56230113V00	P562301112800	P5623010650	P5623010650	NA		P56230102Q00
16.FRT PANEL,INNER COVER	P5623020650	P5623020650	P5623020650	P5623020650	P5623020650	P56230213V00	P56230212800	P5623020650	P5623020650	P56230201R00		P56230202Q00
17. STEPIFLOOR	P6624001650	P6624001650	P6624001650	P6624001650	P6624001650	P66240033V00	P66240032800	P6624001650	P6624001650	P66240011R00		P66240012Q00
18. BATTERY COVER	C2624031650	C2624031650	C2624031650	C2624031650	C2624031650	C2624031650	C2624031650	C2624031650	C2624031650	C2624031650		C2624031650
19. BODY COVER, LH FRT	P662E010650	P662E010650	P662E010650	P662E010650	P662E010650	P662E0103V00	P662E0102800	P662E010650	P662E010650	P662E0101R00		P662E0102Q00
20. BODY COVER, RH FRT	P662E020650	P662E020650	P662E020650	P662E020650	P662E020650	P662E0203V00	P662E0202800	P662E020650	P662E020650	P662E0201R00		P662E0202Q00
21.1.RR SECTION, FRT FENDER(50cc)	P5632600650	NA	NA	NA	P56340006501	NA	NA	NA	P5632600650	P56326001R00		P56326002Q00
21.2.RR SECTION, FRT FENDER(125/150/170)	C2632601000	C2632601000	C2632601000	C2632601000	C2632601000	C26326023V00	C26326022800	C2632601000	C2632601000	C26326011Q00		C26326012Q00
22. LICENCE PLATE	P5636003650	P5636003650	P5636003650	P5636003650	P5636003650	P56360033V00	P56360032800	P5636003650	P5636003650	P56360031R00		P56360032Q00
23. MAT FLOOR	P66245010000	P66245010000	P66245010000	P66245010000	P66245010000	P66245010000	P66245010000	P66245010000	P66245010000	P662450101R00		P662450102Q00
24. MIDDLE COVER	P6625010650	P6625010650	P6625010650	P6625010650	P6625010650	P66250113V00	P662501112800	P6625010650	P6625010650	P66250101R00		P66250102Q00

# E1 Crankcase, Oil Pump Buddy 50

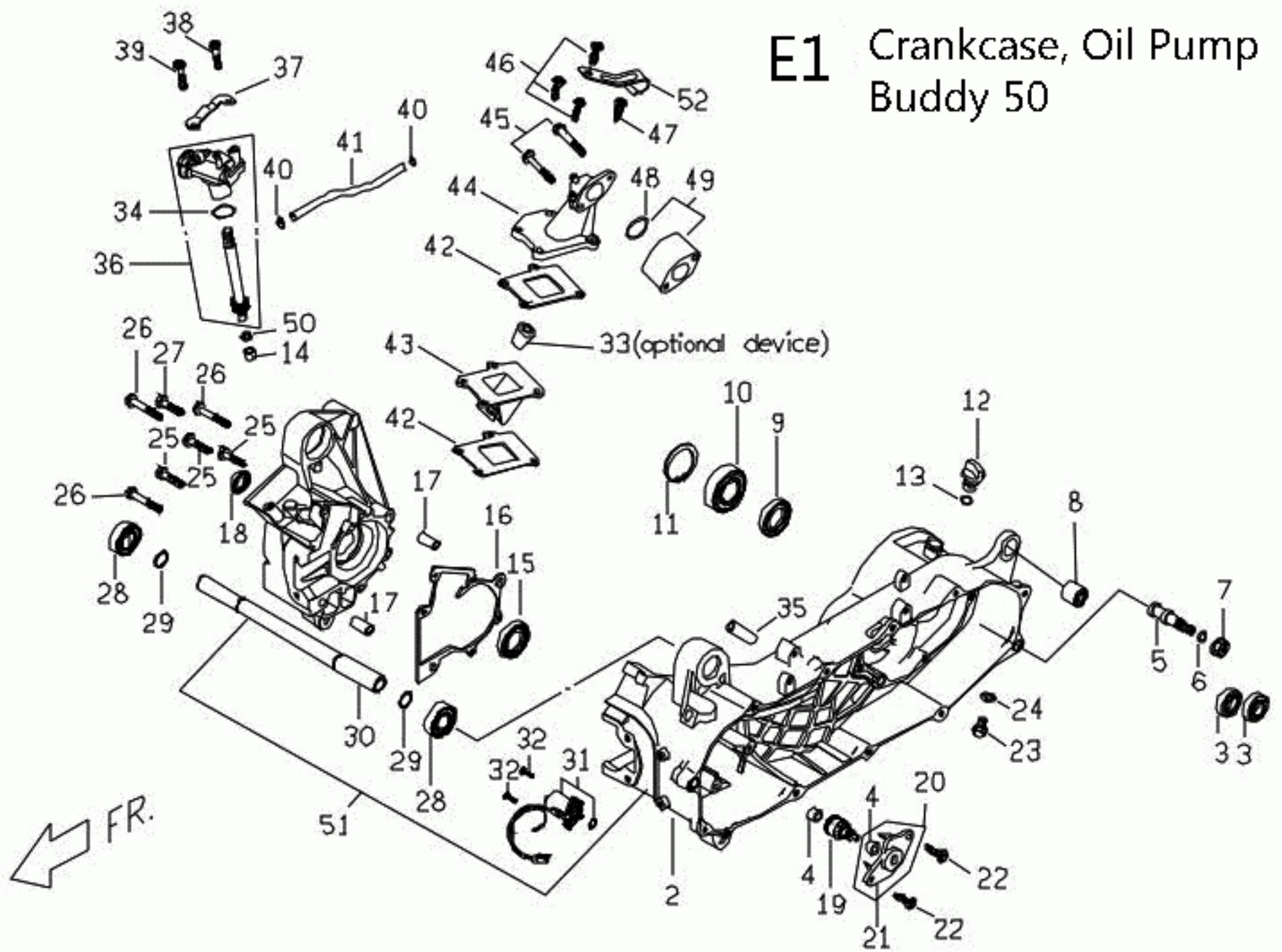


Table-E1 CRANKCASE, OIL PUMP BUDDY 50

NO.	PartNo.	Q'TY	PART NAME	NO.	PartNo.	Q'TY	PART NAME
1	P106A010000	1	RIGHT CRANK CASE	26	90190606000	3	HEXAGON FLANGE BOLT(M6*60L)
2	P5062010000	1	LH CRANKCASE	27	90190602700	1	HEXAGON FLANGE BOLT (M6*27L)
3	96510620000	2	BALL BEARING	28	96530600300	2	BALL BEARING,DOUBLE SEALED ( 6003LU)
4	E1062130000	2	BUSH	29	92171700000	2	RETAINING RING C TYPE
5	P1407430000	1	PIVOT REAR BK.SHOE	30	C1486020000	1	PIVOT, ENGINE HANGER
6	95510800000	1	O RING(7.5*1.5)	31	E1241001000	1	STARTING MOTOR COMP
7	92060800002	1	HEXAGON FLANGE NUT	32	90210602000	2	HEXAGON SCOKET SCREW
8	P1062020000	1	BUSH, QUAKEPROOF	34	95512000001	1	O RING(20D*1.5)
9	95572540700	1	OIL SEAL, TC TYPE 25 40 7	36	P10810010001	1	OIL PUMP ASSY
10	96530620400	1	BALL BEARING, DOUBLE SEALED	37	P10812100000	1	PLATE,OIL PUMP
11	92164700000	1	RETAINING RING C TYPE	38	90190603500	1	HEXAGON FLANGE BOLT(M6*35L)
12	P1062150000	1	OIL BOLT	39	90190601203	1	HEXANGON FLANGE BOLT(M6*1.0P*1
13	95511400000	1	O RING	40	93550500800	2	SPRING PIN
14	E1061030000	1	BUSH	41	P5081301000	1	RUBBER TUBE OIL OUT
15	95572038700	1	TC OIL SEAL 20 38 7	42	P1261021000	2	GASKET REED VALVE
16	P1061041000	1	Crankcase Gasket	43	P1261101000	1	REED VALVE COMP, general
17	93541002300	2	LOCK PIN(10*23)	44	P5261011000	1	INTAKE MANIFOLD
18	95571525700	1	OIL SEAL, TC TYPE 15 25.5 7	45	90190604500	2	HEXAGON FLANGE BOLT (M6*45L)
19	E1242000000	1	IDLE GEAR COMP,STARTING MOTOR	46	90180602500	4	HEXAGON FLANGE BOLT
20	P1242111000	1	HOLDER COMP, STARTER CLUTCH	46	90180602501	4	HEXAGON FLANGE BOLT
22	90180602000	2	HEXAGON FLANGE BOLT (M6*20L)	47	P0286330000	1	GUIDE TUBE
22	90180602002	2	HEXAGON FLANGE BOLT (M6*20L)	48	95512300000	1	O RING
23	90190801200	1	HEXAGON FLANGE BOLT (M8*12L)	49	P5261300000	1	INSULATOR ASSY,CARB.
23	90190801202	1	HEXAGON FLANGE BOLT (M8*12L)	50	92140700001	1	WASHER(7.2D*12D*1.0T)
24	92140800001	1	WASHER (8*1.6T)	51	P506K010000	1	CRANKCASE COM.LH/RH
25	90190604500	3	HEXAGON FLANGE BOLT (M6*45L)	52	P1706400000	1	FIXING CLIP

# E2 Fan Cover, Cooling Cowl Cylinder, Cylinder Head Buddy 50

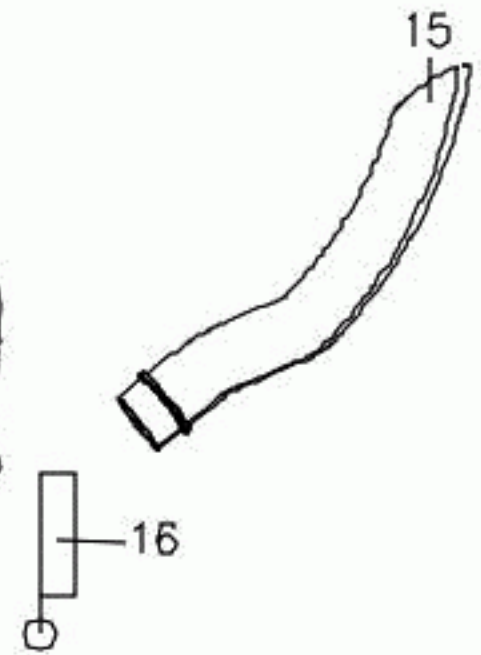
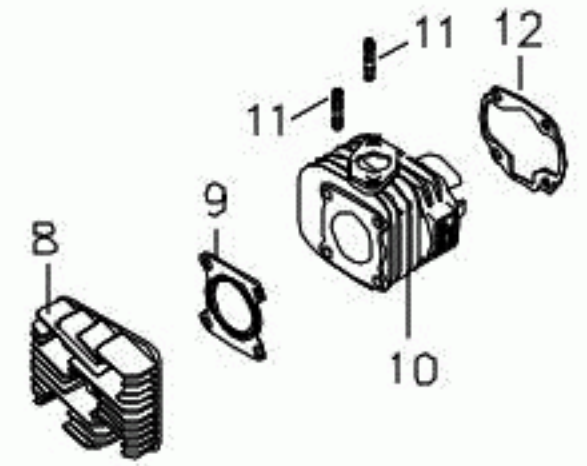
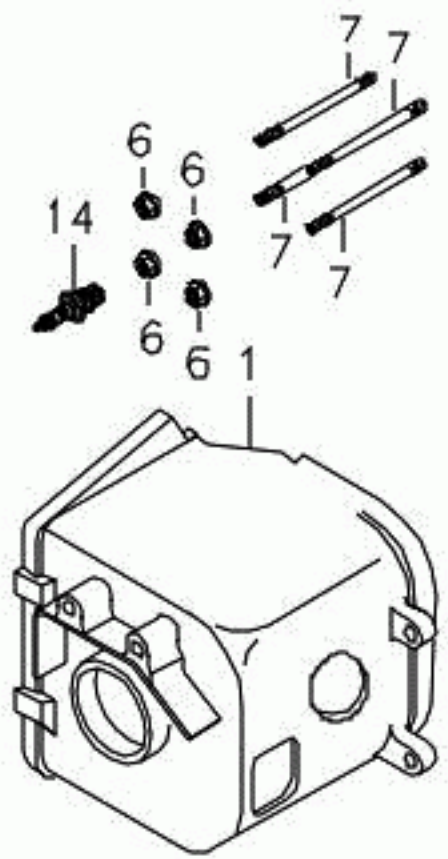
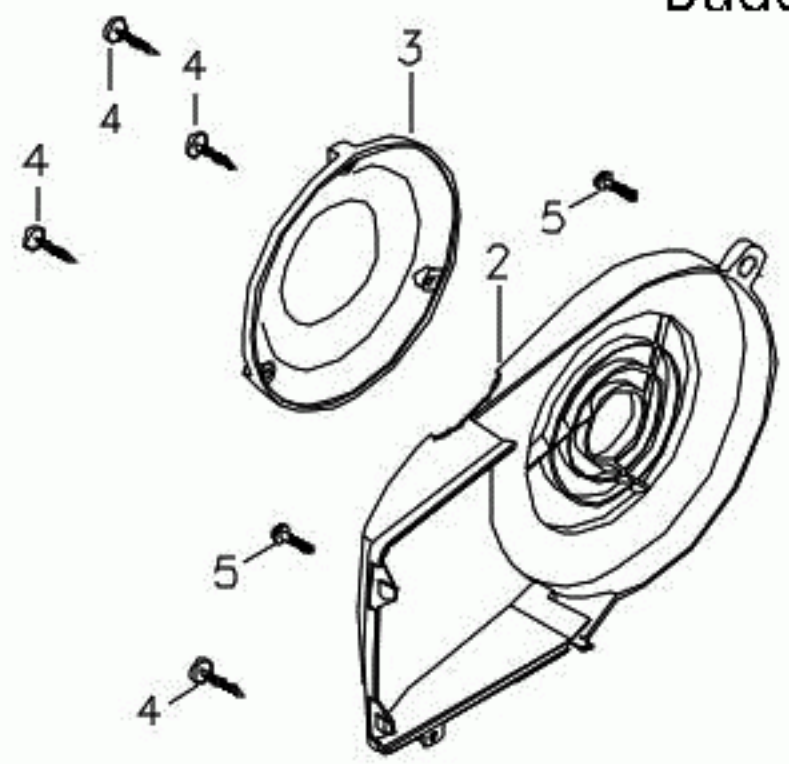


Table -E2 CYLINDER,CYLINDER HEAD, FAN COVER,COOLING COWL

NO.	PartNo.	Q'TY	PART NAME
1	P10421000001	1	COOLING COWL
2	P1042001000	1	FAN COVER
3	E1042200000	1	OUTER FAN COVER
4	90110401200	4	CR PAN HD TAPPING SC
5	90180602000	2	HEXAGON FLANGE BOLT (M6*20L)
5	90180602002	2	HEXAGON FLANGE BOLT (M6*20L)
6	92040700000	4	HEXAGON FLANGE NUT(M7*1P)
7	P1061050000	4	STUD BOLT
8	P5065010000	1	CYLINDER HEAD
9	P1065110000	1	GASGET ,CYLINDER HD
10	P1064010000	1	CYLINDER
11	90170602602	2	STUD BOLT
12	P1064111000	1	Gasket Cyl.
13	90190601203	2	HEXANGON FLANGE BOLT(M6*1.0P*1
14	E1222000000	1	SPARKING PLUG
14	P12220000002	1	SPARKING PLUG, from 2007.4
16	P5706040000	1	FIXED HOOK,RR BRAKE WIRE

# E3 Fan, Generator Buddy 50

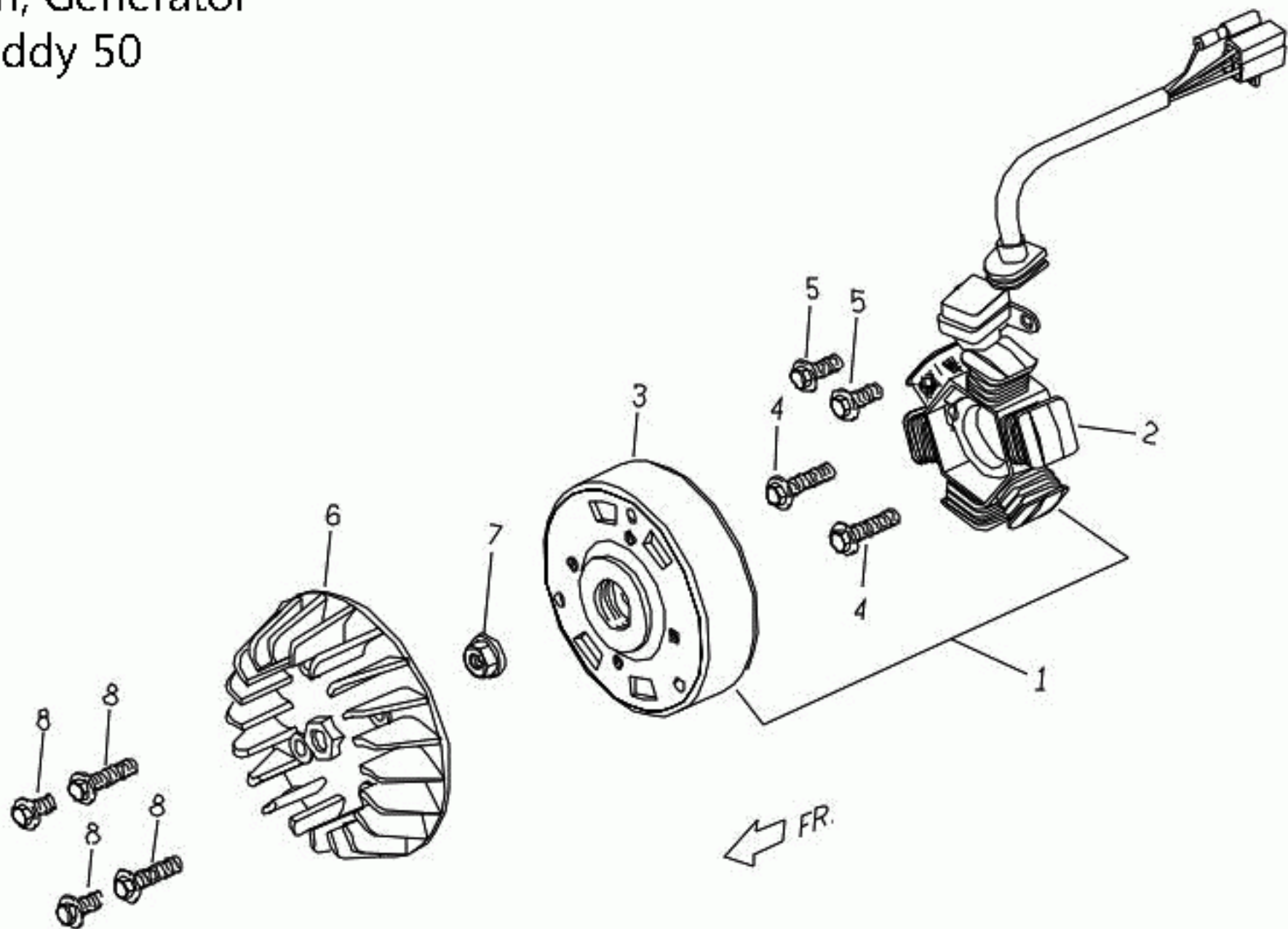


Table-E3 FAN, GENERATOR

NO.	PartNo.	Q'TY	PART NAME
1	P12210000002	1	A.C.G. COMP
2	P12210200002	1	STATOR COMP
3	P12210100001	1	FLYWHEEL COMP.
4	90180602000	2	HEXAGON FLANGE BOLT (M6*20L)
4	90180602002	2	HEXAGON FLANGE BOLT (M6*20L)
5	90190601203	2	HEXANGON FLANGE BOLT(M6*1.0P*1
6	P1043000000	1	FAN
7	92041000000	1	HEXAGON FLANGE BOLT(M10*P1.25)
8	90190601204	4	Hexangon Flange Bolt
8	90190601206	4	Hexangon Flange Bolt



# E4 Driving Face Buddy 50

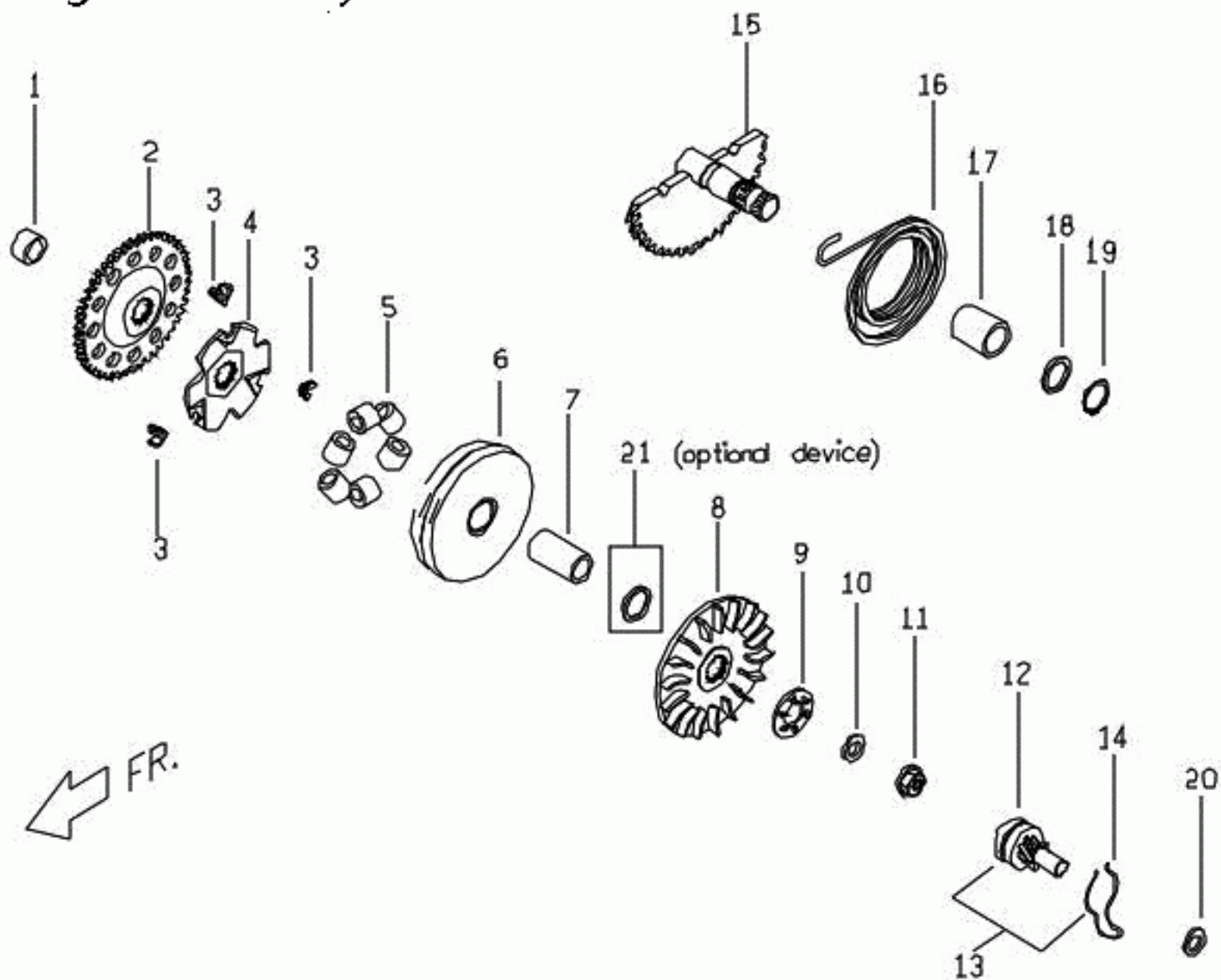
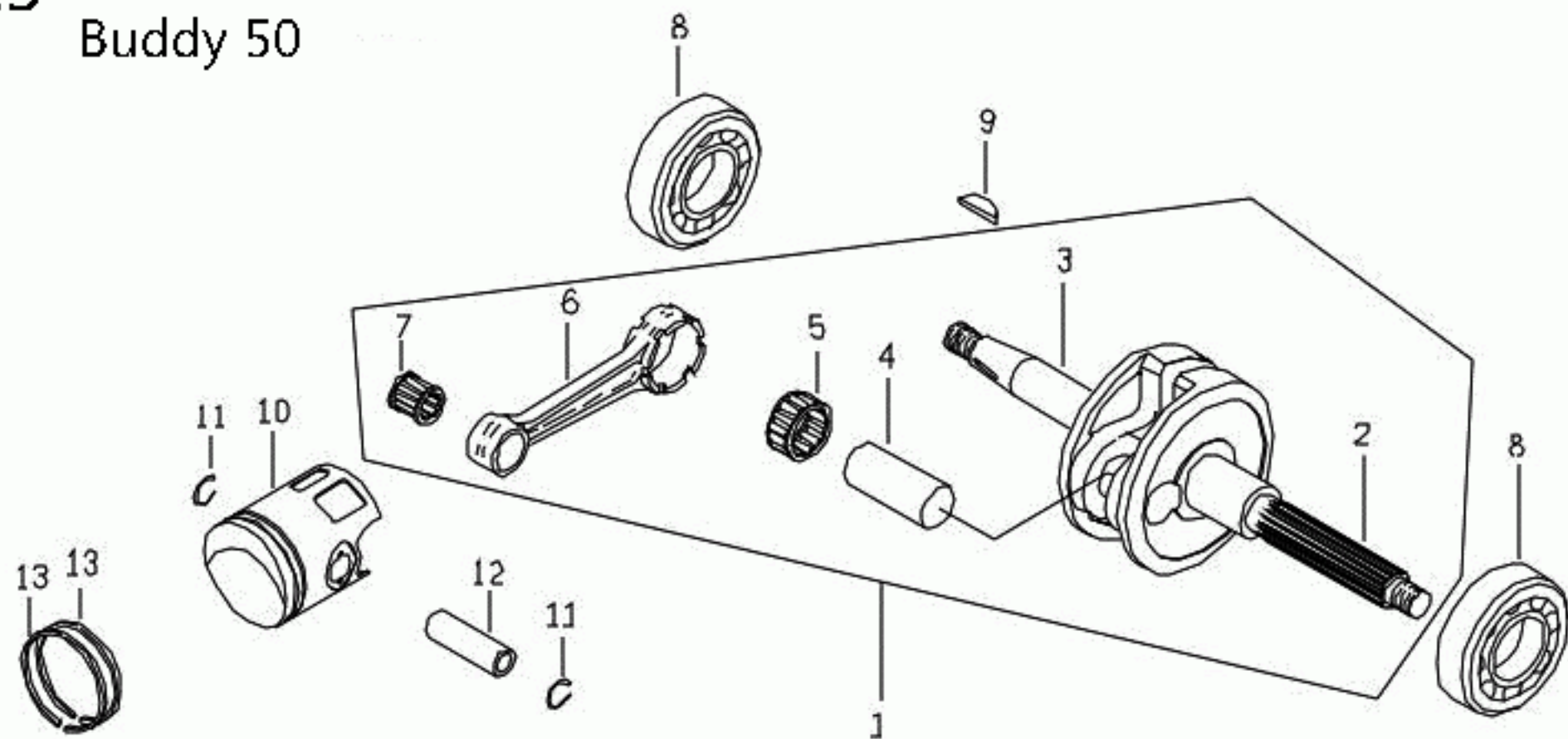


Table -E4 DRIVING FACE

NO.	PartNo.	Q'TY	PART NAME
1	P5242210000	1	SPACER BUSH
2	P1242200000	1	DRIVEN GEAR, STARTER
3	P1121320000	3	SLIDE PIECE
4	P1121310000	1	PLATE, RAMP
5	P1121200000	6	WEIGHT ROLLER COMP(8.5G)
6	P1121101000	1	DRIVE FACE COMP,MOVABLE
7	P5121050000	1	BOSS, MOVABLE DRIVE
8	P1121060000	1	DRIVE FACE
9	P1251030000	1	RATCHET ,KICK STARTER
10	92141000001	1	WASHER (10*2T)
11	92041000001	1	HEXAGON FLANGE NUT (M10*P1.25)
13	E1251000000	1	SPRING COMP,KICK STARTER DRIVE
15	E1251101000	1	SHAFT COMP,KICK STARTER
16	E2251110000	1	TORISON SPRING
17	E1251120000	1	BUSH
18	92141400000	1	WASHER (14*2T)
19	92171400000	1	RETAINING RING C TYPE (14*1T)
20	92141000011	1	WASHER(10.5*32.5D*1.T)
21	P11210800003	1	RESTRICTOR (OPTIONAL)

# E5 Crankshaft, Piston Buddy 50



← FR.

Table-E5 CRANKSHAFT, PISTON

NO.	PartNo.	Q'TY	PART NAME
1	P1066000000	1	CRANKCASE COMP
4	P1066030000	1	CRANK PIN
5	96590162200	1	BEARING CAGE
6	P1066120000	1	CONNECTING ROD
7	96601001400	1	BEARING CAGE
8	E1062100000	2	BALL BEARING(20*52*12)
9	93530302400	1	WOODRUFF KEY
10	P5067010000	1	PISTON
11	E1067150000	2	CLIP,PISTON PIN
12	P1067110000	1	PISTON PIN
13	E10673100001	2	PISTO N RING

# E6 Belt, Pulley Comp, Driven Face Buddy 50

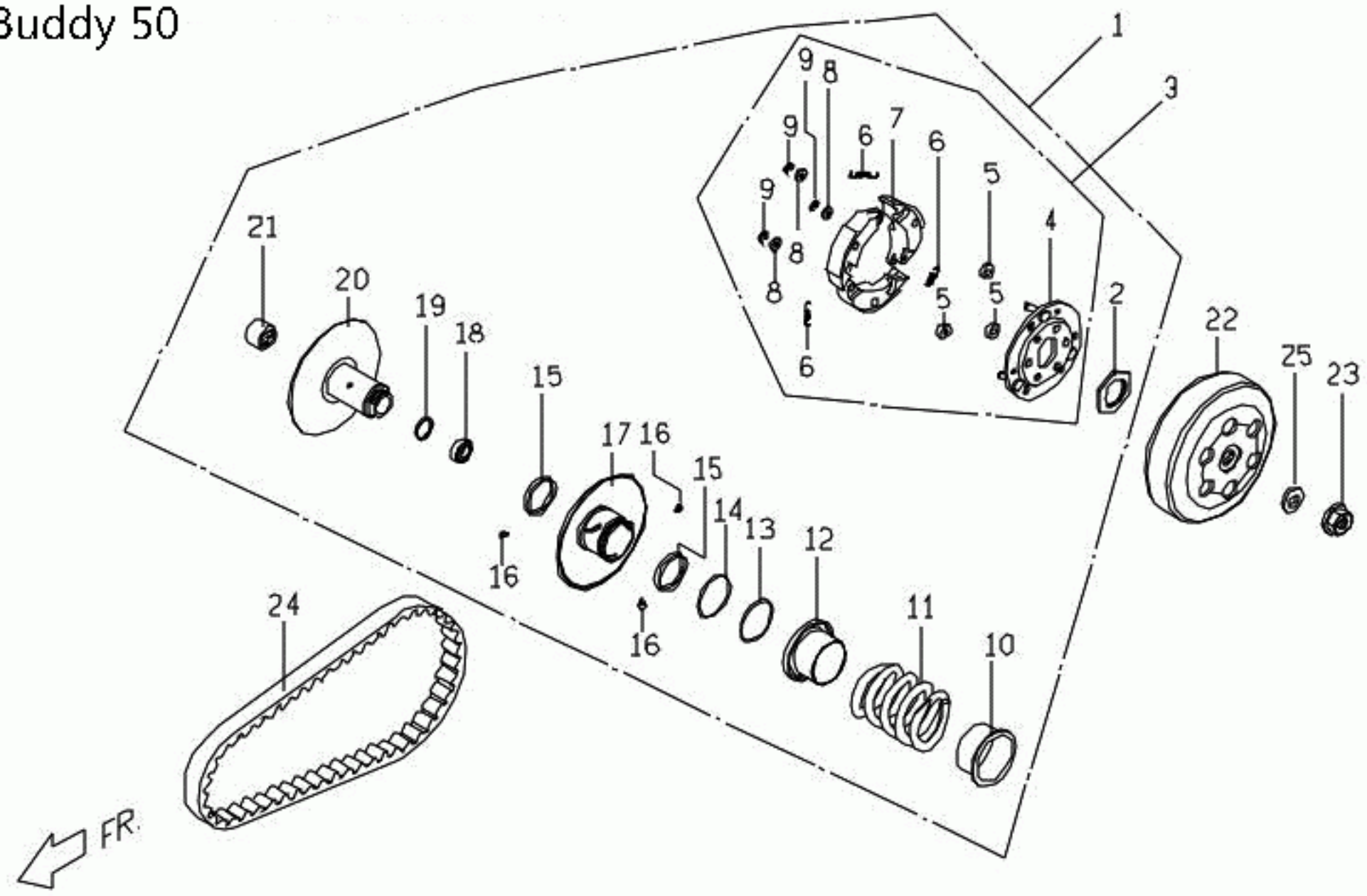


Table - E6 BELT, PULLEY, DRIVEN FACE

NO.	PartNo.	Q'TY	PART NAME
1	P1123701000	1	BELT PULLEY COMPLETE DRIVEN FACE
2	P1123410000	1	NUT
3	P1123600000	1	PLATE ASSY, DRIVE
4	P1123300000	1	BODY COMP, DEIVE PLATE
5	P1123420000	3	DAMPER RUBBER , CLUTCH
6	P1123430000	3	SPRING, CLUTCH
7	P1123441000	3	WEIGHT SET, CLUTCH
8	92140600008	3	PLAIN WASHER
9	92180500000	3	RETAINING RING E TYPE (5D)
10	P1123330000	1	COLLAR, SPRING
11	P1123520000	1	SPRING, DRIVEN FACE
12	P1123530000	1	SEALED SOCKET
13	95513600000	1	O RING
14	95513700000	1	O-RING
15	95593439300	2	OIL SEAL G TYPE
16	P1123240000	3	PIN, GUIDE ROLLER
17	P1123210000	1	BODT COMP., MOVABLE DRIVEN FACE
18	96520690100	1	BRG, RADIAL BALL
19	92162400000	1	RETAINING RING C TYPE
20	P1123110000	1	BODY COMP , DEIVEN FACE
21	E1123140000	1	NEEDLE ROLLER BEARING
22	P1123510000	1	OUTER BODY COMPLETE, CLUTCH
23	92041000001	1	HEXAGON FLANGE NUT (M10*P1.25)
24	NE122000000	1	V TYPE BELT
25	92141000001	1	WASHER (10*2T)

# E7 LH Side Cover Buddy 50

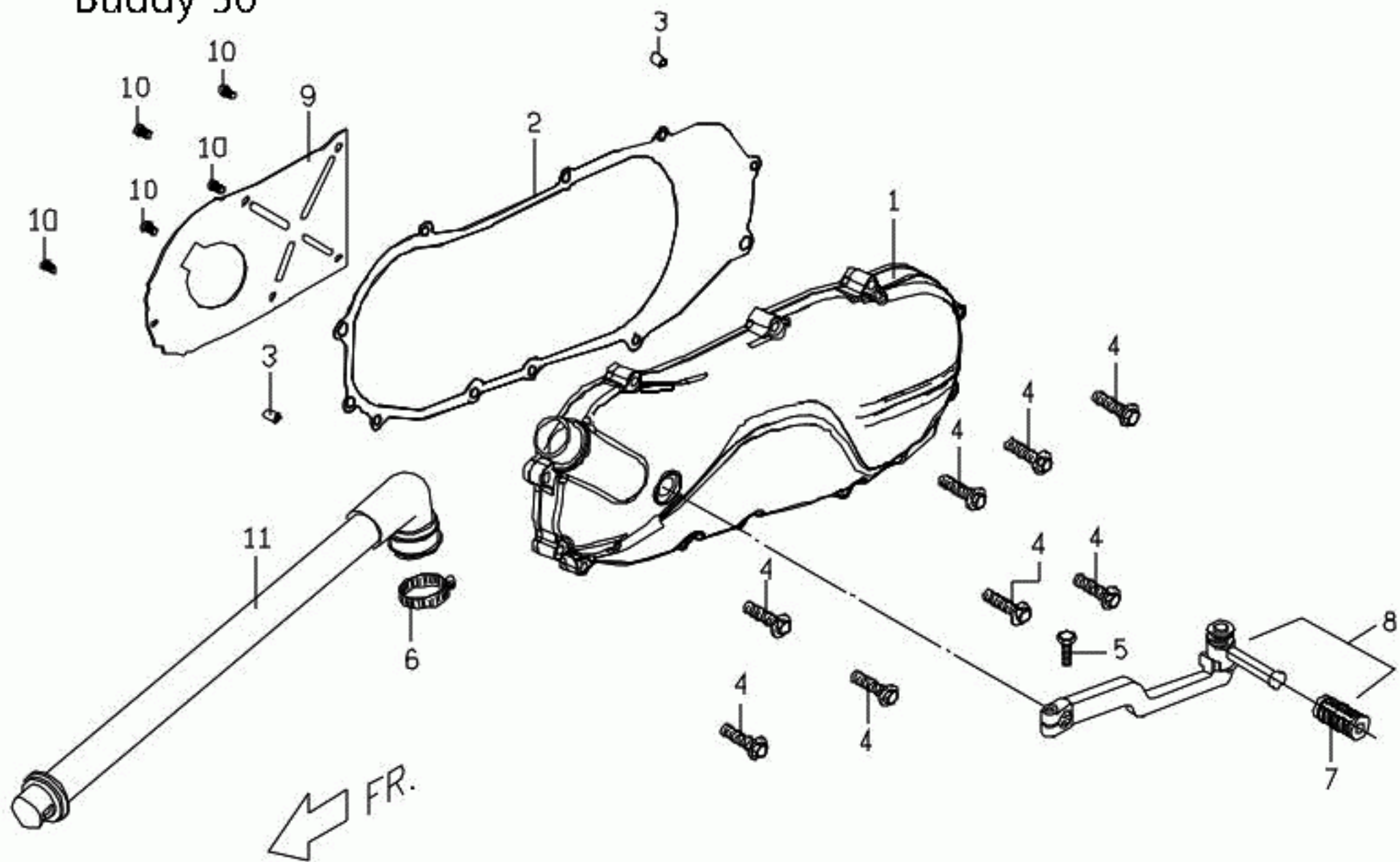


Table- E7 LEFT HAND SIDE COVER

NO.	PartNo.	Q'TY	PART NAME
1	P5063010720	1	LH SIDE COVER COATING
2	P5063021000	1	Gasket Left Cover
3	93541001401	2	LOCK PIN (10*14)
4	90190603503	8	HEXAGON FLANGE BOLT(M6*35L)
5	90020602203	1	HEXAGON HEAD BOLT
6	E1706280000	1	HOSE CLAMP(MIN30-MAX40)
7	E1251240000	1	RUBBER,PAD,KICK STARTER
8	P1251200000	1	KICK STARTER COMP
9	P1063060000	1	PARTITION PLATE
10	90050500900	5	CR ROUND HD MACHINE SCREW(M5*9
11	P5063030000	1	BREATHER PIPE



# E8 Transmission Buddy 50

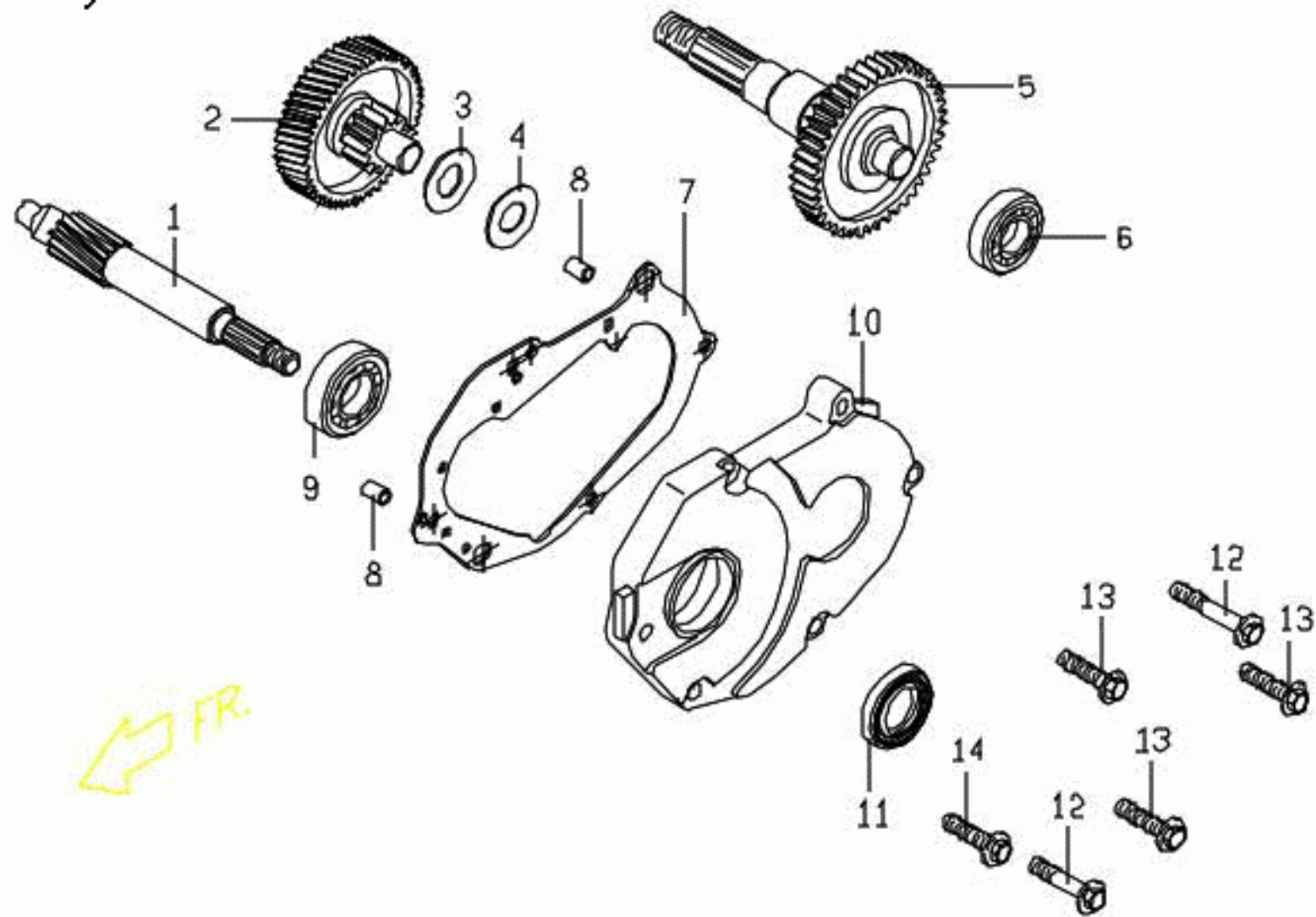


Table - E8 TRANSMISSION

NO.	PartNo.	Q'TY	PART NAME
1	P5141100000	1	DRIVE AXLE
2	P5141200000	1	IDLE GEAR COMP
3	P1141230000	1	PAN SPRING WASHER
4	92141400003	1	WASHER(14D*1T)
5	P5141300000	1	FINAL GEAR COMP
6	96510620200	1	BALL BEARING
7	P1141021000	1	Trans Cover Gasket
8	93541001401	2	LOCK PIN (10*14)
9	96510620301	1	BALL BEARING
10	P1141010000	1	TRANSMISSION COVER
11	95571735700	1	OIL SEAL, TC TYPE
12	90190603500	2	HEXAGON FLANGE BOLT(M6*35L)
13	90180602500	3	HEXAGON FLANGE BOLT
13	90180602501	3	HEXAGON FLANGE BOLT
14	90180602000	1	HEXAGON FLANGE BOLT (M6*20L)
14	90180602002	1	HEXAGON FLANGE BOLT (M6*20L)

# E9 Carburetor Buddy 50

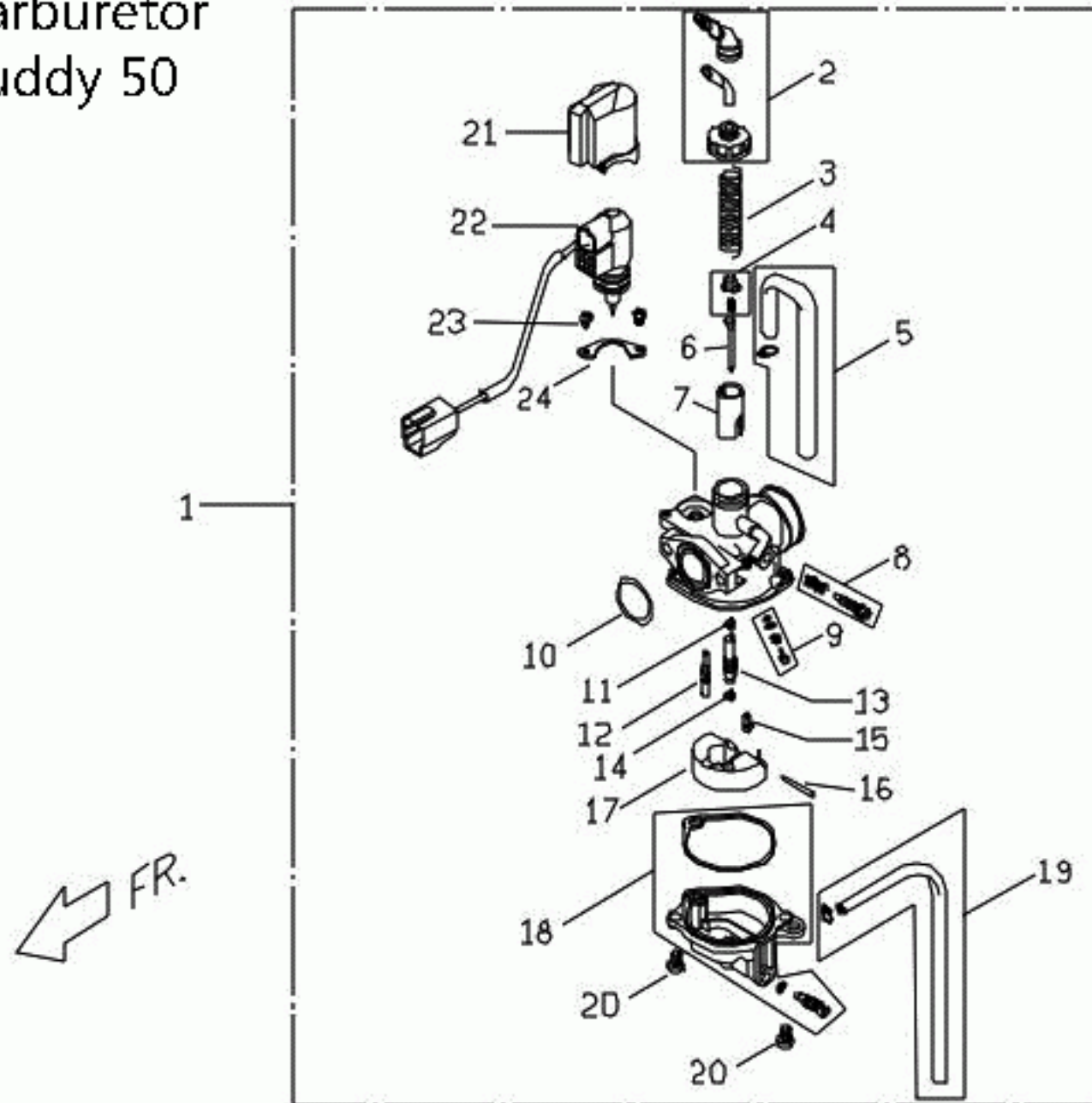


Table - E9 CARBURETOR

NO.	PartNo.	Q'TY	PART NAME
1	P51510000002	1	CARB. ASSY, anti -tamper
2	D19KT0140100	1	TOP SET
3	D19KT0040200	1	COMPR.SPG.
4	D19KT0010300	1	PLATE SET
5	D19KT0272100	1	TUBE SET
6	D19KT0370400	1	JET NEEDLE
7	D19KT0160500	1	THROTTLE POSITION SENSOR
8	D19KT0091600	1	SCREW SET (A.S)
9	D19KT0031400	1	SCREW SET
10	D19KT0031500	1	O RING
11	D19KT0140600	1	JET NEEDLE
12	D19KT0671100	1	SLOW JET
13	D19KT0080900	1	HOLDER, NEEDLE JET
14	D19KT0011000	1	JET
15	D19KT0030700	1	FLOAT VALVE SET
16	D19KT0010800	1	PIN, ARM
17	D19KT0031300	1	FLOAT SET
18	D19KT0061200	1	FLOAT CHAMBER SET
19	D19KT0262100	1	RUBBER HOSE
20	D19KT0061900	2	WASHER SCREW
21	D19KT0022000	1	CAP HOLDER
22	D19KT0661700	1	AUTO BYSTARTER SET
23	D19KT0051900	2	WASHER SCREW
24	D19KT0011800	1	PLATE SET

# E10 Air Cleaner Complete

## Buddy 50

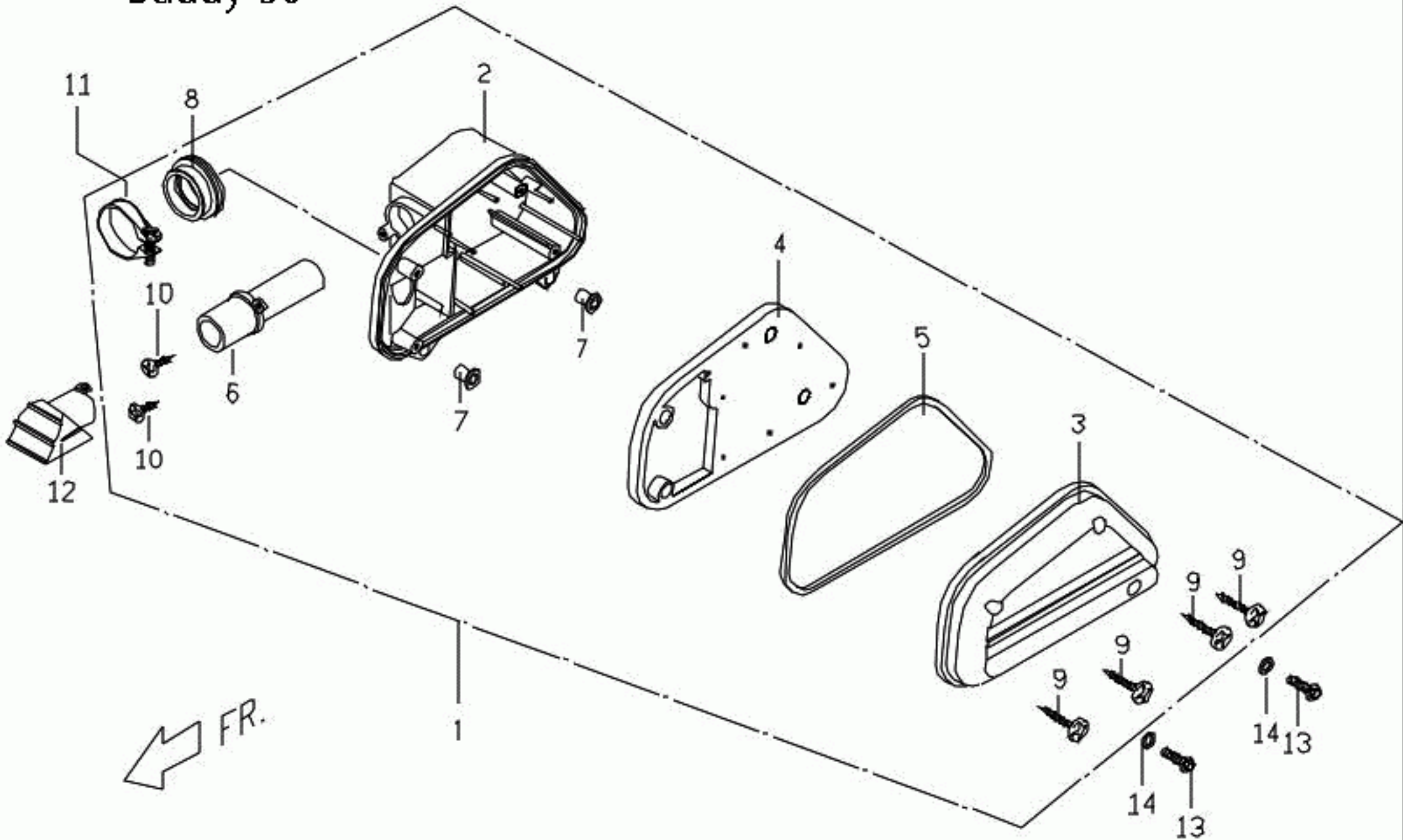


Table - E10 AIR CLEANER COMPLETE

NO.	PartNo.	Q'TY	PART NAME
1	P12620000001	1	AIR CLEANER COMP
2	P1262010000	1	BODY,AIR CLEANER
3	P1262020000	1	COVER, AIR CLEANER
4	P1262030000	1	FILTER SPONGE,AIR CLEANER
5	P1262040000	1	GASKET, AIR CLEANER
6	P12620500001	1	AIR HOSE
7	E9262060000	2	GASKET
8	P1262080000	1	CONNECTING PIPE, AIR CLEANER
9	90110502500	4	CR PAN HEAD TAPPING SCREW
10	90110401200	2	CR PAN HD TAPPING SC
11	P1262110000	1	CLIP
12	P1262120000	1	COVER,INLET
13	90180602500	2	HEXAGON FLANGE BOLT
13	90180602501	2	HEXAGON FLANGE BOLT
14	92140600018	2	WASHER

# E11 Muffler Buddy 50

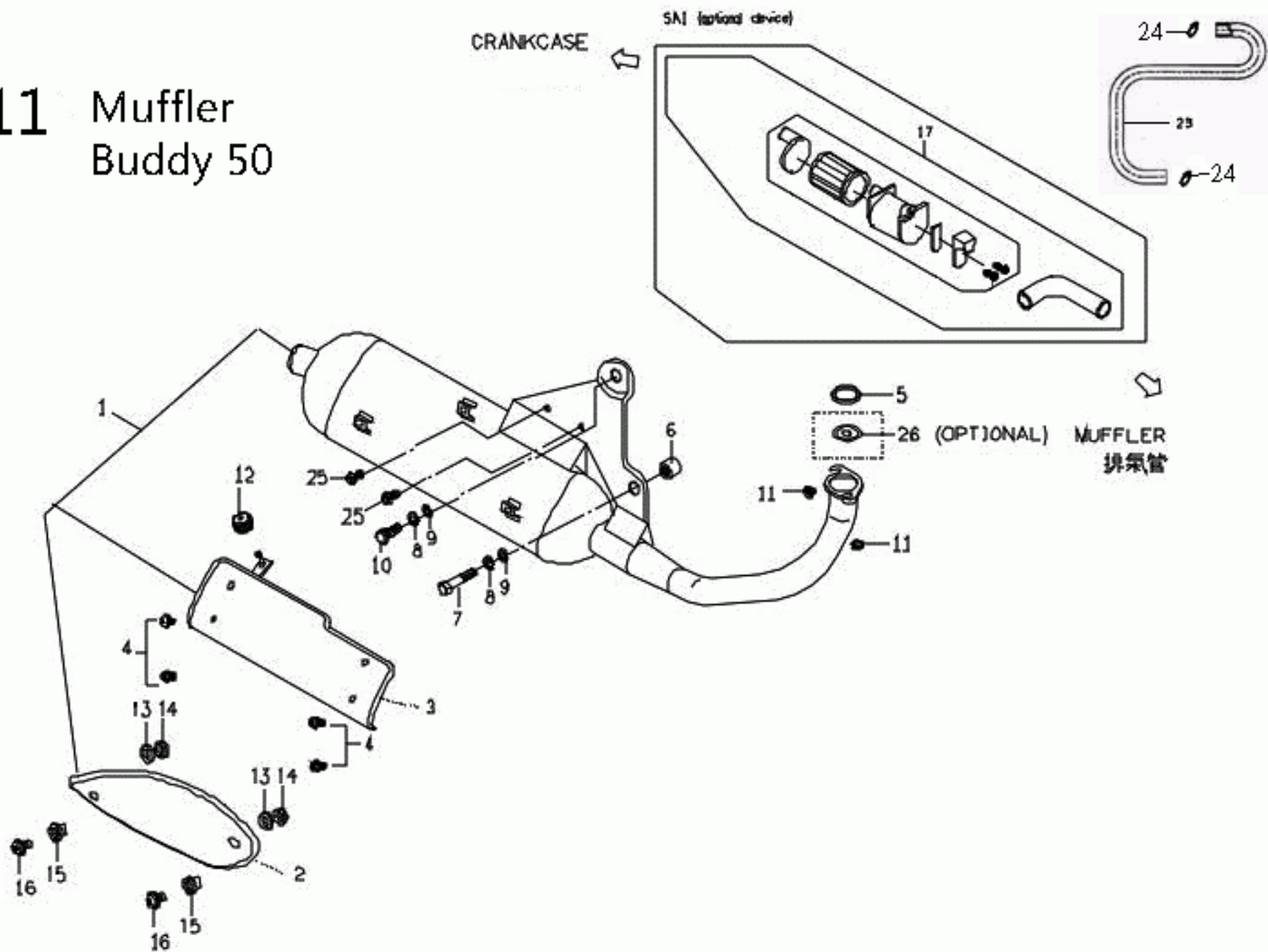


Table - E11 MUFFLER

NO.	PartNo.	Q'TY	PART NAME
1	P5281000000J	1	MUFFER ASSY. 2006/2007 Only
1	P5281000000L	1	Muffler Assy. 2008 +
2	C12810100004	1	HEAT PROTECTOR
4	90050608000	4	CROSS ROUND HD WASHER SCREW
5	E9281020000	1	PACKING,MUFFLER
6	E1062020000	1	DAMPER BUSH
7	90190804003	1	HEXAGON FLANGE BOLT (M8*40L)
8	92110800000	2	SPRING WASHER(8D*14D*2.2T)
9	92140800000	2	PLAIN WASHER
10	90190802600	1	HEXAGON FLANGE BOLT (M8*26L)
11	92050600003	2	HEXAGON CAP NUT
12	P5281060000	1	FIXED RUBBER
13	C328A0400000	2	CIRCLET
14	92140600015	2	WASHER(TEMPERATURE-ENDURING)
15	C328A020000	2	INNER SPACER
16	90050602000	2	C-R PAN HD MACHINE S
17	P22861020002	1	SECOND AIR CLEANER ASSY.
23	P52861200001	1	AIR TUBE(B)
24	92211700000	2	HOSE CLIP
25	90180602000	2	HEXAGON FLANGE BOLT (M6*20L)
25	90180602002	2	HEXAGON FLANGE BOLT (M6*20L)
26	92141200010	1	PLAIN WASHER



# E12 Rear Wheel Buddy 50

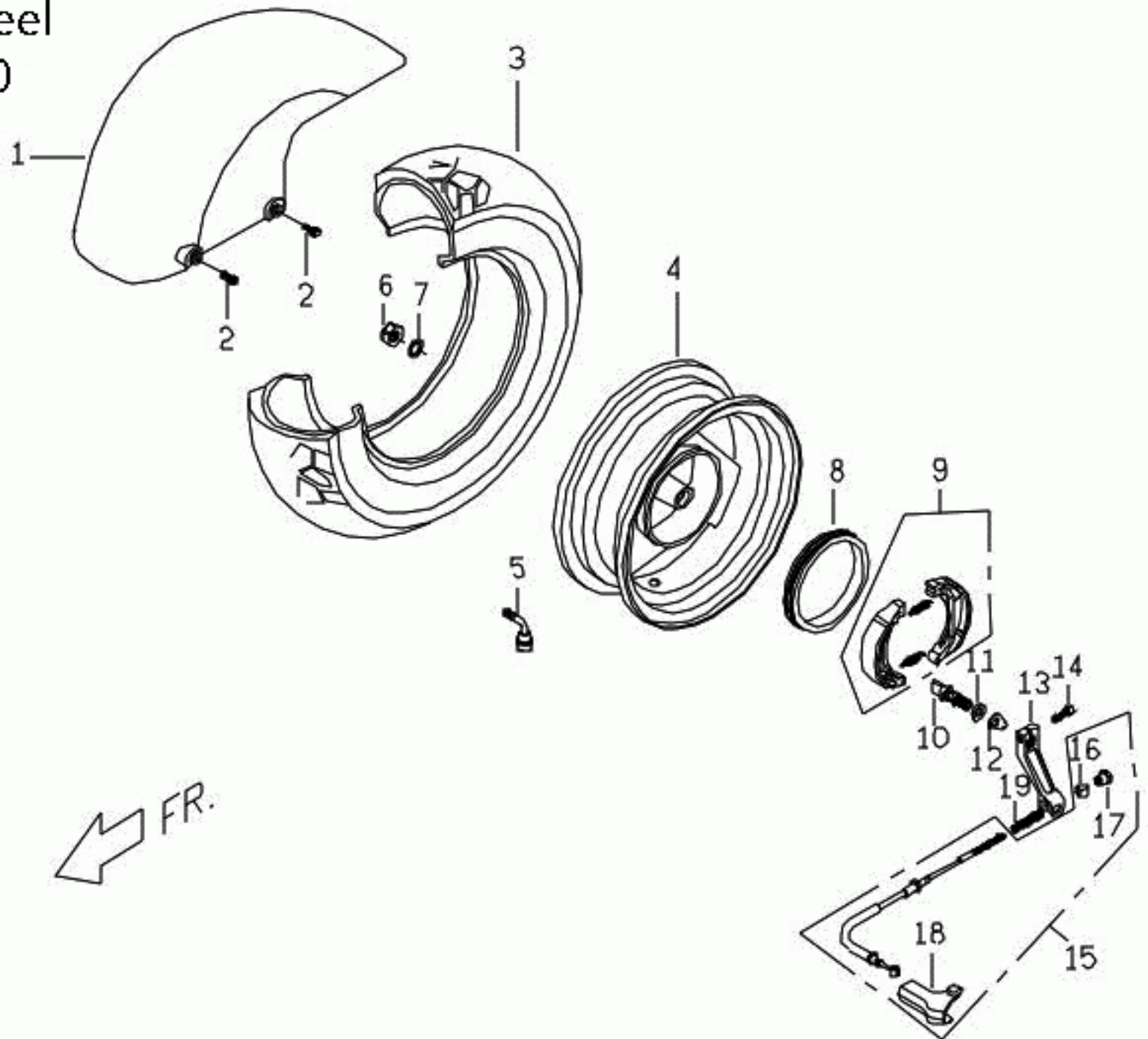


Table - E12 REAR WHEEL

NO.	PartNo.	Q'TY	PART NAME
1	P56340006501	1	RR FENDER
2	90180602000	2	HEXAGON FLANGE BOLT (M6*20L)
2	90180602002	2	HEXAGON FLANGE BOLT (M6*20L)
3	P540B320000	1	TIRE 90/90 10
4	P54071031S00	1	REAR WHEEL RIM , pamplona
4	P54071033K00	1	REAR WHEEL RIM , italian
4	P54071034300	1	REAR WHEEL RIM , st.tropz
4	P5407102770	1	REAR WHEEL RIM , silver
4	P54071032200	1	REAR WHEEL RIM, lemonhead yellow
4	P54071034J00	1	REAR WHEEL RIM, brit
5	P140B330000	1	VALVE
6	92011600000	1	U TYPE SPRING NUT
7	92141700001	1	WASHER
8	E1407010000	1	DUSTPROOF RING
9	E14074000002	1	SHOE COMP,RR BRAKE
10	E1407440000	1	BRAKE CAM, RR
11	95511000002	1	O-RING
12	E1407450000	1	INDICATOR,RR BRAKE
13	P1407471000	1	ARM,RR ARM
14	90020602203	1	HEXAGON HEAD BOLT
15	P6544401000	1	CABLE ASSY, RR BRAKE
16	E1544440000	1	PIN
17	E1544410000	1	CABLE ADJUST NUT
19	C154D110000	1	SPRING

# E13 Center Stand, Side Stand Buddy 50

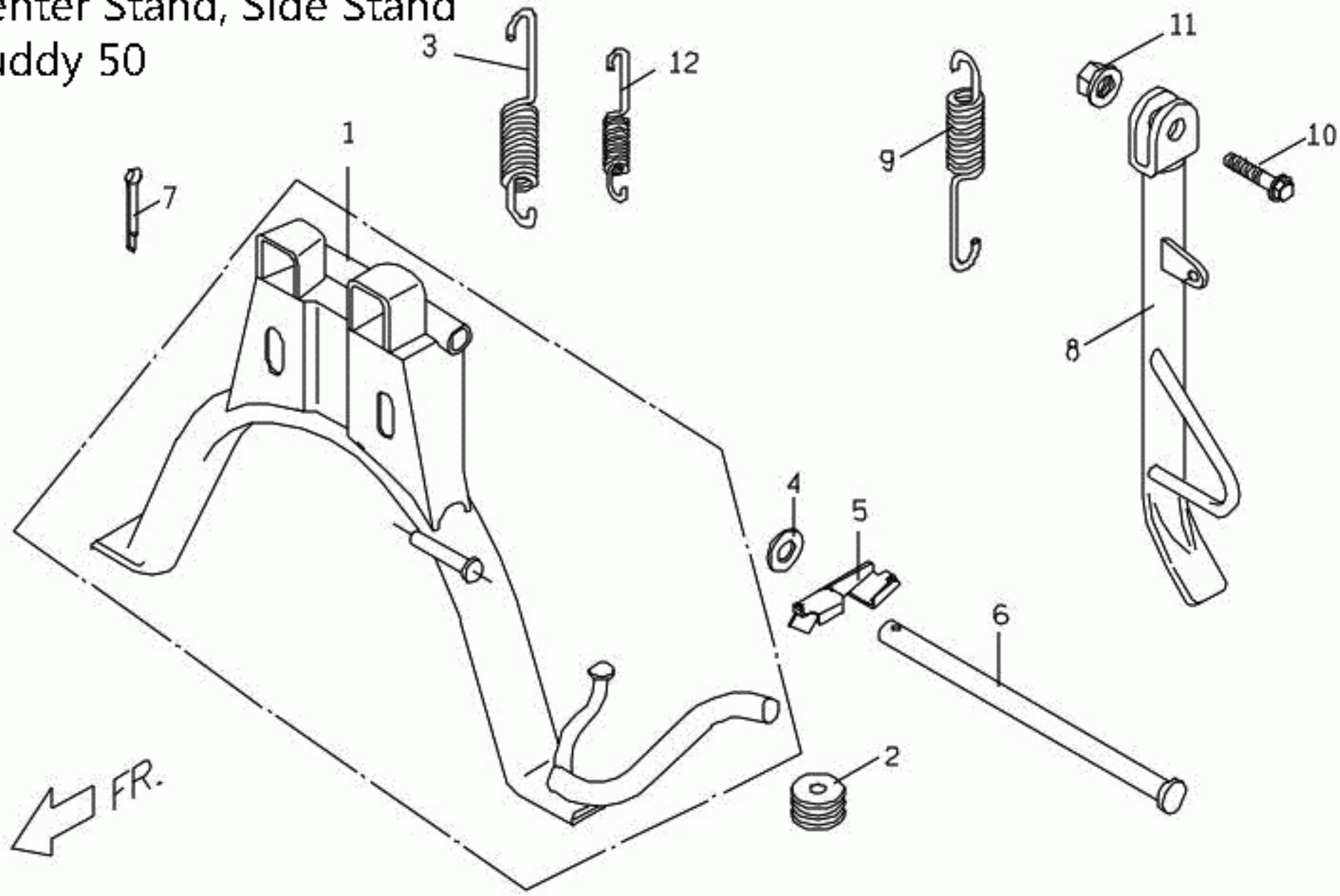


Table - E13 CENTER STAND, SIDE STAND

NO.	PartNo.	Q'TY	PART NAME
1	P5461001600	1	CENTER STAND COMP
2	P146A011000	1	CUSHION RUBBER
3	P1461120000	1	CENTER STAND SPRING
4	P1701070000	1	RUBBER WASHER
5	P1407482000	1	WIRE HOLDER,RR BRAKE
6	E1461110000	1	FIXED PIN,CENTER STAND
6	E1461110000	1	PIN,STAND
7	93561010000	1	SPLIT PIN
8	P6462000600	1	SIDE STAND COMP.
9	C2462120000	2	SPRING,SIDE STAND
10	90191002800	1	HEXAGON FLANGE BOLT (M10*1.25P
10	90191002800	1	HEXAGON FLANGE BOLT
11	92060800002	1	HEXAGON FLANGE NUT



Table - F1 COVER UPPER &amp; LOWER, HANDLE BAR ,HEADLIGHT

NO.	PartNo.	Q'TY	PART NAME
1	SEE PAGE 1	1	UPPER HANDLE COVER
2	SEE PAGE 1	1	LOWER HANDLE COVER
3	P5661000002	1	HEADLIGHT COMP. SMALL 2006 ONLY
3	P6661000002	1	HEADLIGHT COMP. LARGE 2007+
4	P5661000002	1	HEADLAMP BULB 2006 ONLY
4	98151235351	1	HEADLAMP BULB (35/35W) 2007+
6	92140500014	1	PLAIN WASHER
7	92130600000	1	TEETH TYPE WASHER
8	E1613010000	1	REGULATING SCREW
9	P5706010000	2	FRONT LIGHT PLATE
10	90130301000	4	CR ROUND HD TAPPING SCREW(M3*1
11	P5613030000	1	HEAD LIGHT BEZEL Chrome Small 2006 Only
11	P66130300002	1	HEAD LIGHT BEZEL Chrome Large 2007+
12	90110401200	7	CR PAN HD TAPPING SC
13	P5612001600	1	HANDLE BAR COMP (ED)
14	90191004600	1	HEXAGON FLANGE BOLT(M10*46L)
15	92061000001	1	HEXAGON LOCK NUT (M10*1.25P)
15	92061000005	1	HEXAGON FLANGE NUT
16	P5613020000	1	SPEED METER SIDE COVER
17	90040601403	2	C-R PAN HD. MACHINE SCREW
18	92140600005	2	WASHER (6.4D*13D*1T)
20	C166C0110004	1	FR SIGNAL LAMP, LH
21	C166D0110004	1	FR SIGNAL LAMP, RH
23	98211221990	2	BULB, yellow, 21w
24	C166G0500005	2	SCREW
25	P17066400000	1	FIXED PLATE, FR TURN SIGNAL (LH)
26	P170F6400000	1	FIXED PLATE, FR TURN SIGNAL (RH)
27	90200501600	2	SCREW WITH WASHER

# F2 Speedometer Buddy 50

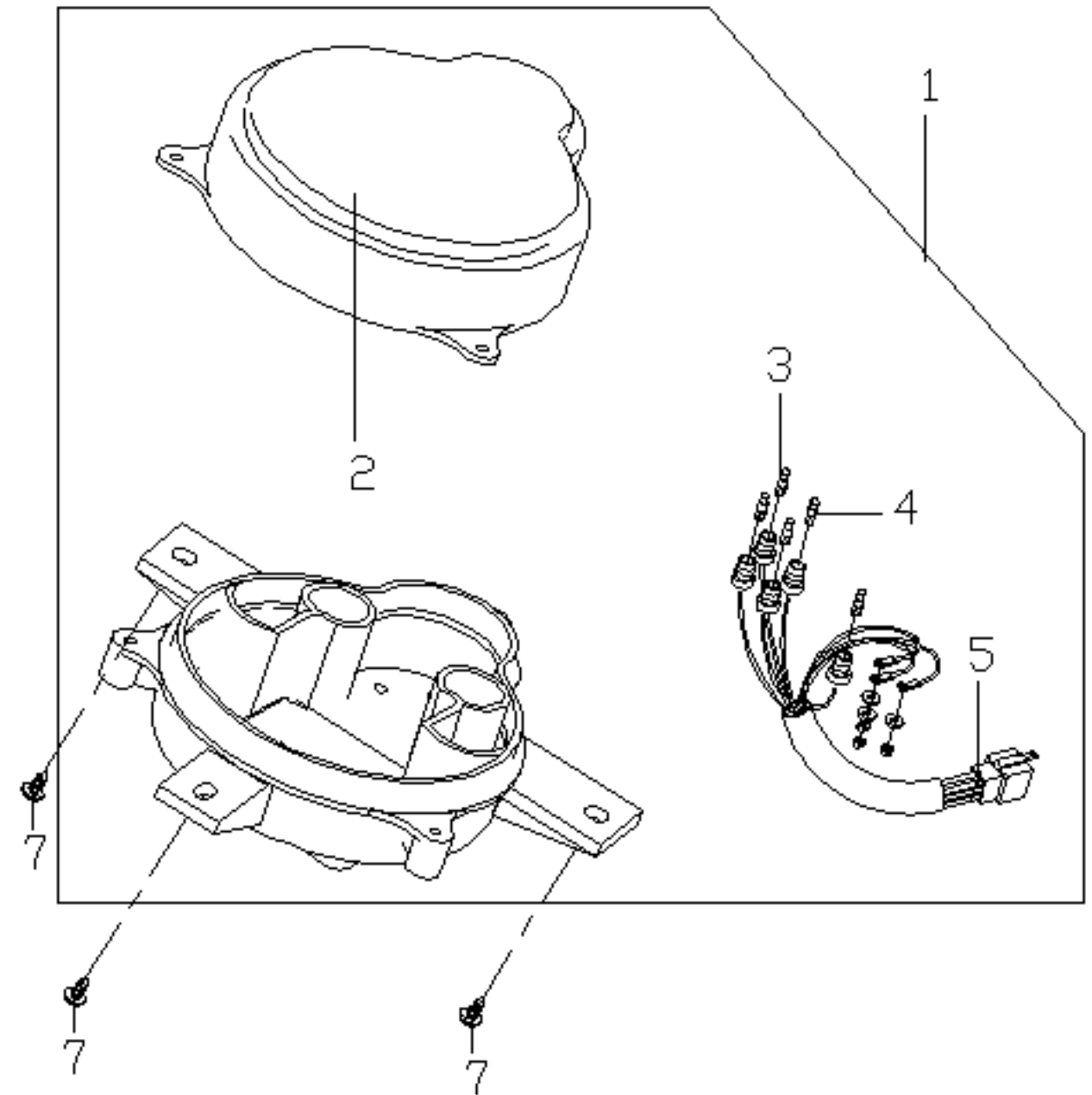
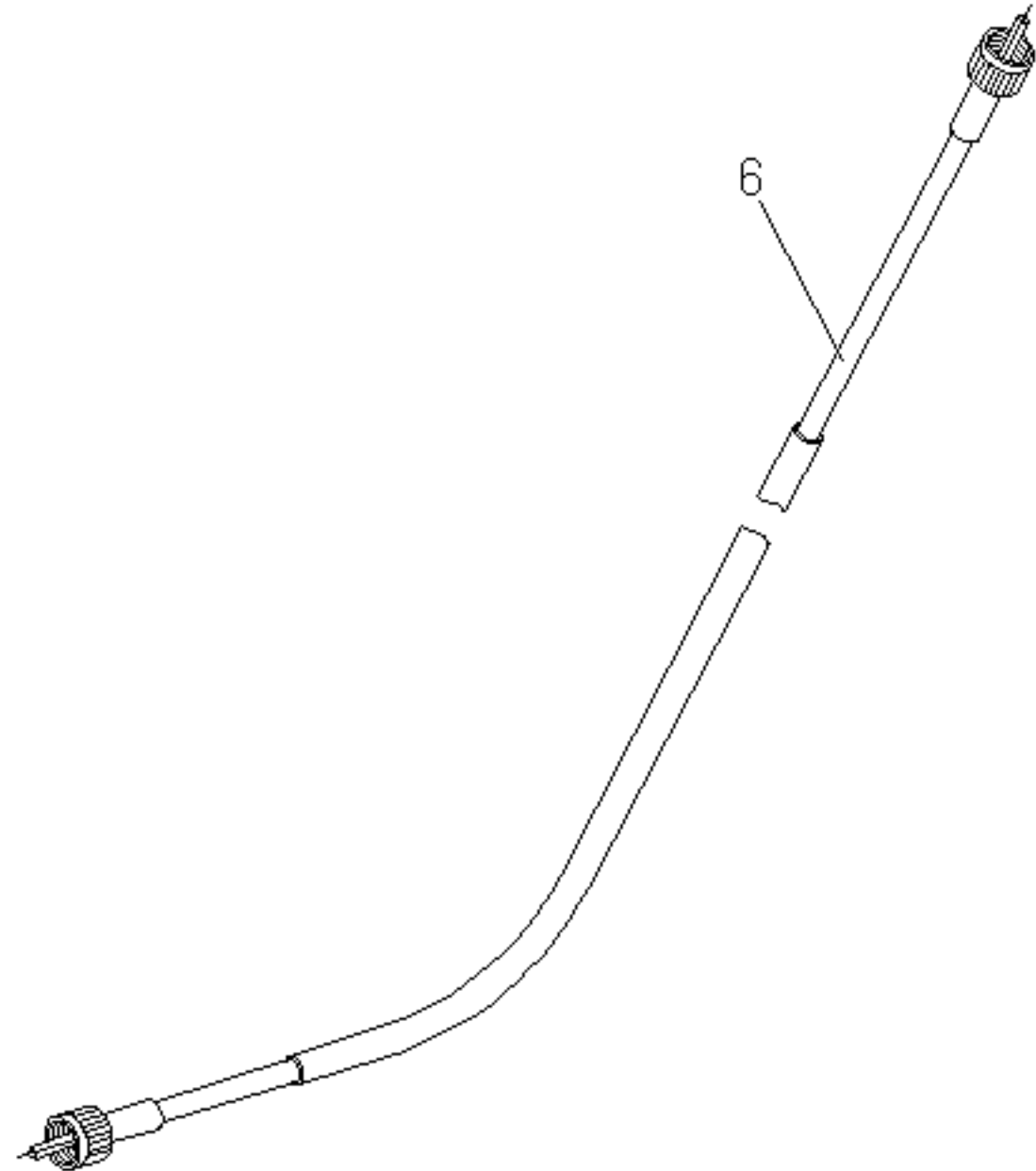


Table - F02 SPEEDOMETER

NO.	PartNo.	Q'TY	PART NAME
1	P65610000006	1	SPEEDMETER ASSY
2	P556A010000	1	SPEEDMETER COVER
3	P556A030000	1	BULB 14V/3W
4	P556A020000	5	BULB 12V/1.7W
5	P556A040000	1	WIRE UNIT
6	P5544003000	1	SPEED METER CABLE ASSY, BUDDY 50
7	90110401200	3	CR PAN HD TAPPING SC



# F3 Cable, Switch, Back Mirror Buddy 50

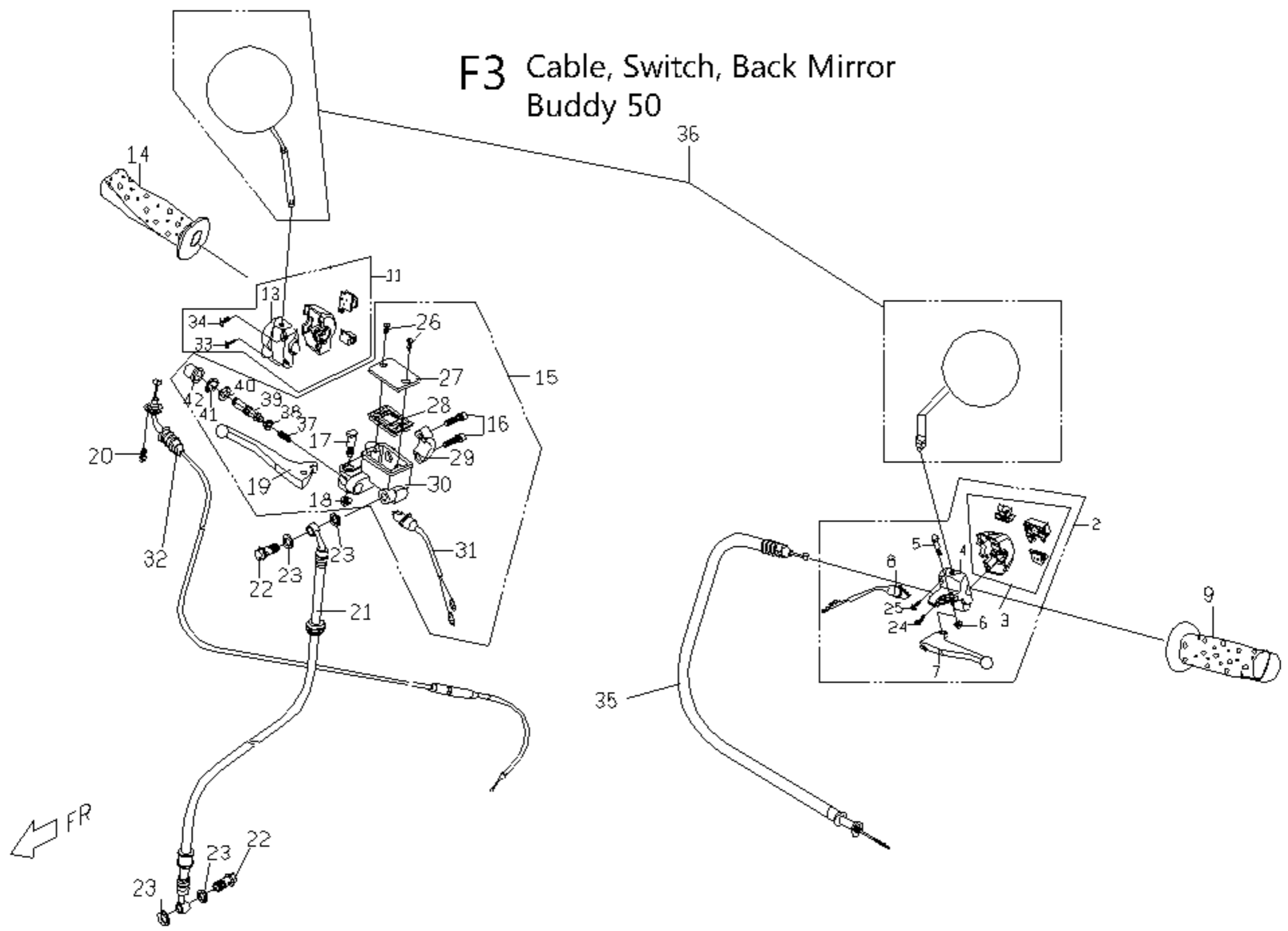


Table - F3 CABLE, SWITCH, BACK MIRROR

NO.	PartNo.	Q'TY	PART NAME	NO.	PartNo.	Q'TY	PART NAME
2	P1546003000	1	LEVER HOLDER ASSY, SWITCH	20	90050501200	1	C-R ROUND HD TAPPING SCREW
3	P154F410000	1	CASE, SWITCH UNDER 2	21	P64036000001	1	FRT BRAKE FLUID HOSE COMP. buddy50
4	P154F020000	1	CASE,SWITCH UNDER 1	22	P14038110000	2	JOINT BOLT,BRAKE HOSE
5	P154F030000	1	BOLT	23	92141000018	4	PLAIN WASHER
6	P154F040000	1	LOCK NUT	24	P154F390000	1	SCREW,PAN HEAD
7	P1543303000	1	LEVER,LH BRAKE	25	P154F400000	1	SCREW,PAN HEAD
8	C2548220000	1	RR BRK SWITCH COMP	26	P140C130000	2	SCREW
9	P05410010000	1	GRIP ASSY,LH, black	27	P140C120000	1	CAP,RESERVOIR
9	P05410010001	1	GRIP ASSY,LH, white	28	P140C110000	1	DIAPHRAGM,RESERVOIR
9	P05410010002	1	GRIP ASSY,LH, brown	29	P140C240000	1	BRACKET,MASTER CYLINDER
9	P05410010003	1	GRIP ASSY,LH, Italian	31	M25480300000	1	STOP LIGHT SWITCH
9	P05410010004	1	GRIP ASSY,LH, pamplona	32	P65446040000	1	CABLE ASSY,THROT
11	P15480000001	1	RH LEVER HOLDER ASSY 2006 ONLY	33	P154H180000	1	C-R ROUND HD SCREW
11	P65480000000	1	RH LEVER HOLDER ASSY, W/Hazard 2007+	34	P154H170000	1	C-R ROUND HD SCREW
13	P154H020000	1	CASE,SWITCH UNDER 1	35	P0544401000H	1	CABLE ASSY, RR BRAKE, buddy50
14	P05420010000	1	GRIP ASSY,RH, black	36	P56160000001	1	MIRROR SET CHROME SHORT STEM 2006
14	P05420010001	1	GRIP ASSY,RH, white	36	MRBUD1	1	MIRROR SET CHROME LONG STEM 2007+
14	P05420010002	1	GRIP ASSY,RH, brown	37	P140C050000	1	SPRING
14	P05420010003	1	GRIP ASSY,RH, Italia/St. Tropez	38	P140C030000	1	CUP LEATHER
14	P05420010004	1	GRIP ASSY,RH, pamplona	39	P140C020000	1	PISTON
15	P5403000000	1	FRT BREAKE MASTER CYLINDER	40	P140C040000	1	OIL SEAL
16	P140C250000	2	INNER BOLT	41	P140C070000	1	CLIP
17	P140C220000	1	BOLT	42	P140C080000	1	DUSTPROOF COVER
18	P140C230000	1	FLANGE NUT				
19	P140C191000	1	LEVER,RH BRAKE				

# F4 Frt Fork, Frt Fender Buddy 50

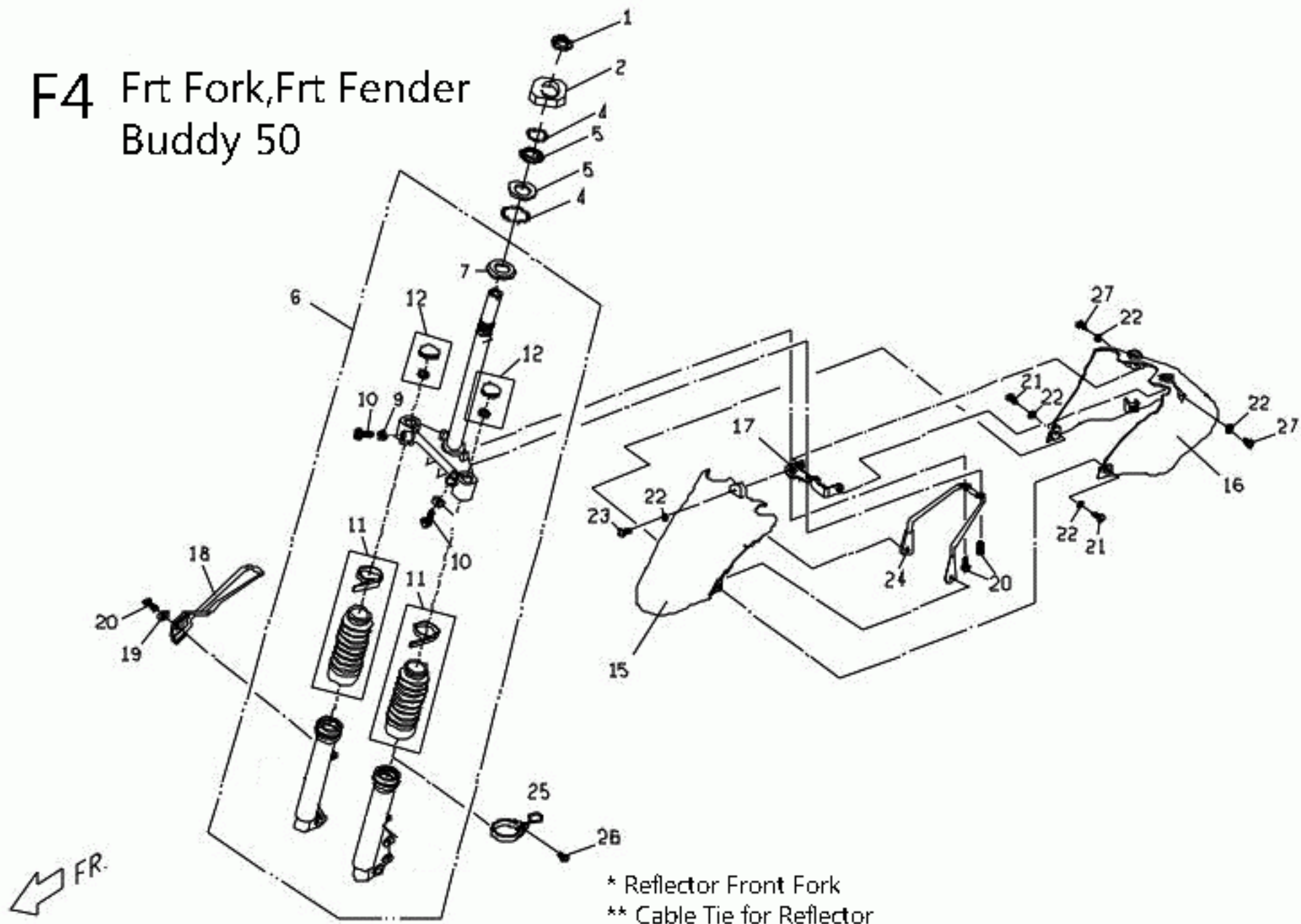


Table - F4 FRONT FORK, FRONT FENDER

NO.	PartNo.	Q'TY	PART NAME
1	P1443040000	1	STEERING SHAFT LOCK NUT
2	P6444051000	1	OUTER BEARING CAGE
4	96630340500	2	BEARING 3/16"
5	P1443020000	2	UPPER/LOWER BEARING RACE
6	P54430007702	1	FRONT FORK ASSY
7	P1443020000	1	UPPER BEARING CAGE
10	P144C030000	2	BOLT
11	P144C040000	2	COVER
12	P544C050000	2	BOLT, COMP
15	SEE PAGE 1	1	FR SECTION FRONT FENDER
16	SEE PAGE 1	1	REAR SECTION FRONT FENDER
17	P5632010600	1	FRONT FENDER FIXING PLATE
18	E9544021000	1	CABLE CLIP
19	92110800000	1	SPRING WASHER 8D*14D*2.2T
20	90190601600	3	HEXAGON FLANGE BOLT
21	90040601601	2	C-R MACHINE HD, TAPPING SCREW M6*16L
22	92140600005	5	PLAIN WASHER
23	90040601600	1	C-R MACHINE HD, TAPPING SCREW M6*16L
24	P5632020600	1	FRONT FENDER FIXING FRAME 50CC ONLY
25	P2403611000	1	BRAKE FLUID HOSE CLIP
26	90050601002	1	C-R MACHINE HD, TAPPING SCREW
27	90040601000	2	C-R MACHINE HD, TAPPING SCREW M6*10L
*	P26690000001	2	REFLECTOR,FR
**	P1701030000	2	CABLE TIE

# F5 Front Wheel, Front Caliper Buddy 50

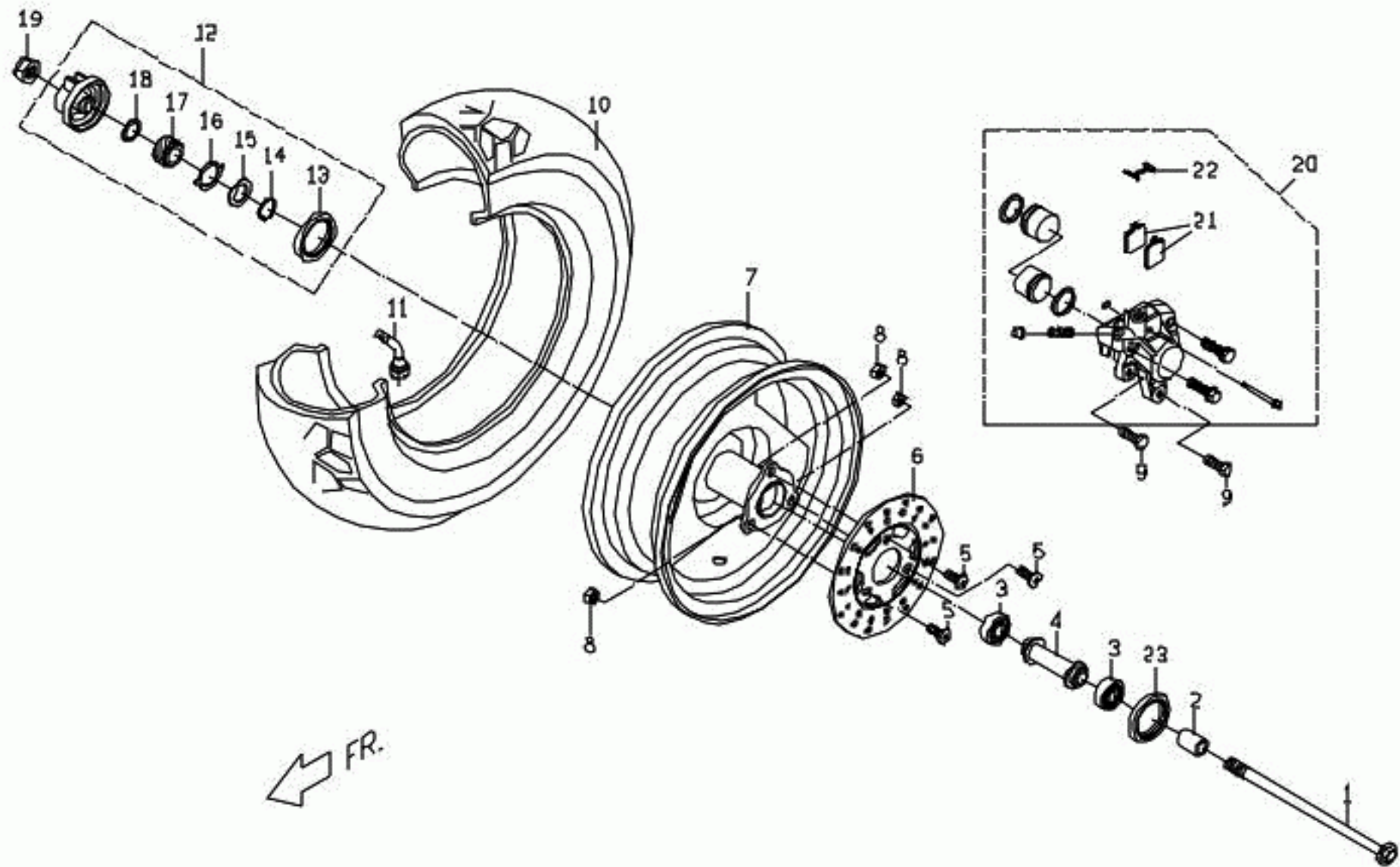


Table - F5 FRONT WHEEL, FRONT CALIPER

NO.	PartNo.	Q'TY	PART NAME
1	P5402500000	1	AXLE, FRT WHEEL
2	P1401010000	1	SPACER
3	96520620100	2	ONE SHIELD BALL BEARING
4	P5402400000	1	SPACER ASSY.
5	E1403512000	3	SCREW, FR BRAKE DISK
6	P1403500000	1	DISK BRAKE(155)
7	P54011031S00	1	FR WHEEL RIM COMP, pamplona
7	P54011033K00	1	FR WHEEL RIM COMP, italia
7	P54011034300	1	FR WHEEL RIM COMP, st. tropez
7	P5401102770	1	FR WHEEL RIM , silver
7	P54011032200	1	FR WHHEL RIM , yellow lemonhead
7	P54011034J00	1	FR WHEEL RIM , brit
8	92400800001	3	HEXAGON NUT (M8*1.25P)
9	90190803002	2	HEXAGON FLANGE BOLT(
10	P540B320000	1	TIRE
11	P140B330000	1	VALVE
12	C1566002000	1	METER GEAR ASSY.
13	95574052600	1	OIL SEAL
14	92171800000	1	C CLIP
15	92141900001	1	PLAIN WASHER
16	P1566050000	1	PAD
17	C1566040000	1	SPEEDOMETER GEAR
18	92141900002	1	PLAIN WASHER
19	92061200001	1	LOCK NUT
20	P5403300000	1	FRT BRAKE CALIPPER ASSY
21	P540C310000	1	BRAKE PAD COMP
22	P540C320000	1	YOKE SPRING
23	95572235700	1	OIL SEAL, TC TYPE

# F6 Windshield, Front Inner Cover Buddy 50

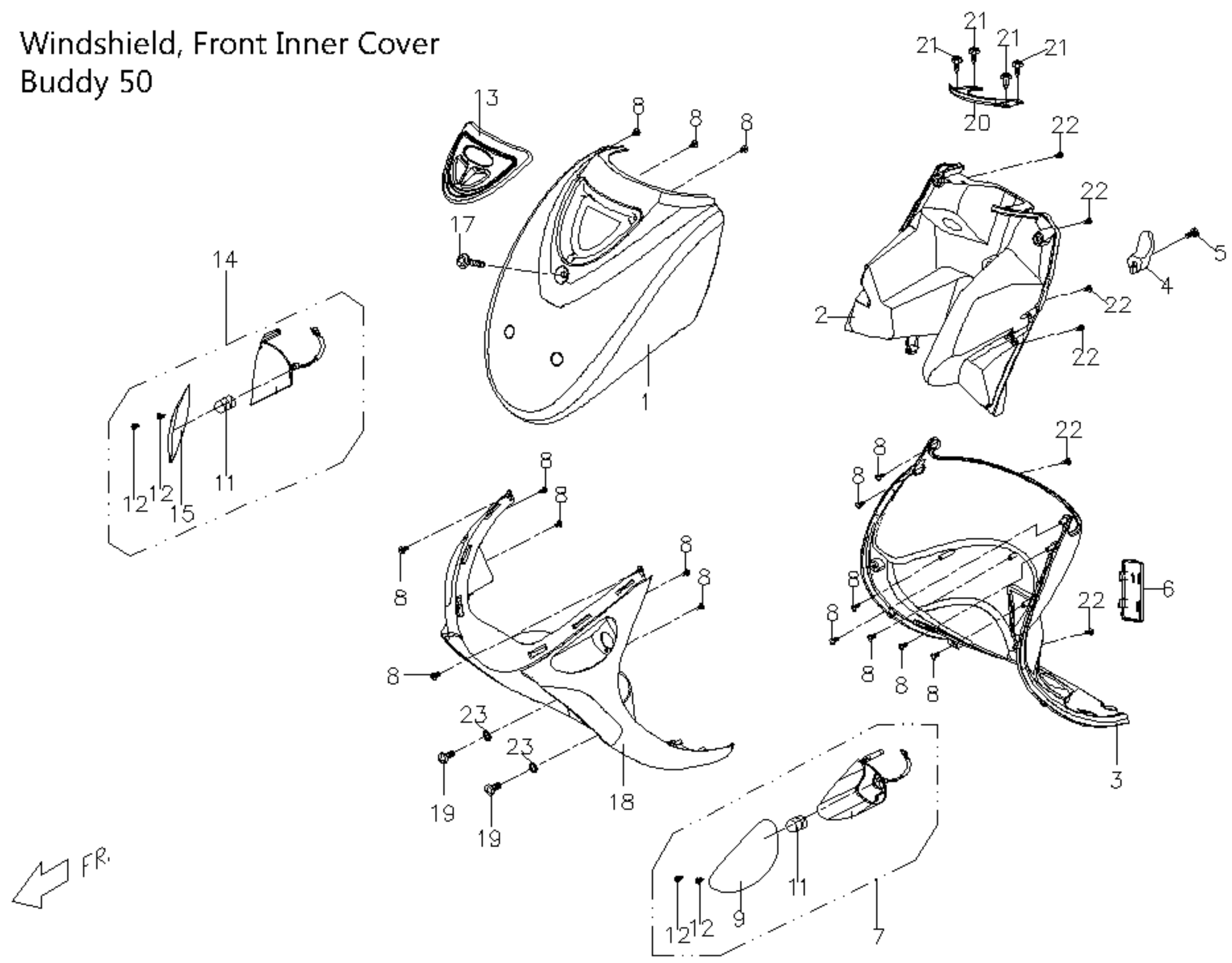


Table - F6 WINDSHIELD , INNER FRONT COVER

NO.	PartNo.	Q'TY	PART NAME	NO.	PartNo.	Q'TY	PART NAME
1	SEE PAGE 1	1	WINDSHIELD SEE PAGE ONE DIAGRAM	18	SEE PAGE 1	1	COVER, FRT LOWER SEE PAGE 1 DIAGRAM
2	SEE PAGE 1	1	FRONT INNER COVER, UPPER	19	90040601601	2	C-R MACHINE HD,TAPPING SCREW M6*16L
3	SEE PAGE 1	1	FRONT INNER COVER LOWER	20	P5623020650	1	FRONT PANEL INNER COVER BLACK
4	P5701211650	1	FRONT HOOK BLACK	20	P56230201U0	1	FRONT PANEL INNER COVER PAMPLONA
4	P57012113L0	1	FRONT HOOK ITALIA	20	P56230203L0	1	FRONT PANEL INNER COVER ITALIA
4	P57012112N0	1	FRONT HOOK SUNSET	20	P56230201R0	1	FRONT PANEL INNER COVER LT PINK
4	P57012111U00	1	FRONT HOOK PAMPLONA	20	P56230212800	1	FRONT PANEL INNER COVER MOCHA
4	P57012111Q0	1	FRONT HOOK LIGHT PINK	20	P56230213V00	1	FRNT PANEL INNER COVER OXFORD GRN
4	P57012114400	1	FRONT HOOK ST. TROPEZ	20	P5623020440	1	FRONT PANEL INNER COVER ST. TROPEZ
4	P57012112Q0	1	FRONT HOOK BROWN	20	P56230202Q0	1	FRONT PANEL INNER COVER SUNSET
4	P57012111R0	1	FRONT HOOK POTENT PINK	21	E1701040000	4	SCRIVET COMP
4	P57012112800	1	FRONT HOOK MOCHA	22	90130501400	6	C-R MACHINE HD,TAPPING SCREW M5*14L
4	P57012113V00	1	FRONT HOOK OXFORD GREEN	23	92140600005	2	PLAIN WASHER
5	90040601601	1	C-R MACHINE HD, TAPPING SCREW M6*16L				
6	SEE PAGE 1	1	IN COVER SEE PAGE 1 FOR COLORS				
7	P566C0100003	1	POSITION LAMP, LH (WHITE)				
8	90110401200	16	C-R RECESS PAN HD. TAPPING SCREW				
9	P566C0200003	1	POSITION LAMP COVER, LH (WHITE)				
11	98211210990	2	BULB SIGNAL (ORANGE) 12V/10W				
12	P566C050000	4	C-R RECESS PAN HD TAPPING SCREW				
13	C2621010000	1	CHROME WINDSHIELD PANEL				
14	P566D0100003	1	POSITION LAMP , RH (WHITE)				
15	P566D0200003	1	POSITION LAMP COVER, RH (WHITE)				
17	E1621010000	1	SCREW WITH WASHER				



# F7 Step Floor, Battery LH,RH Side Cover Buddy 50

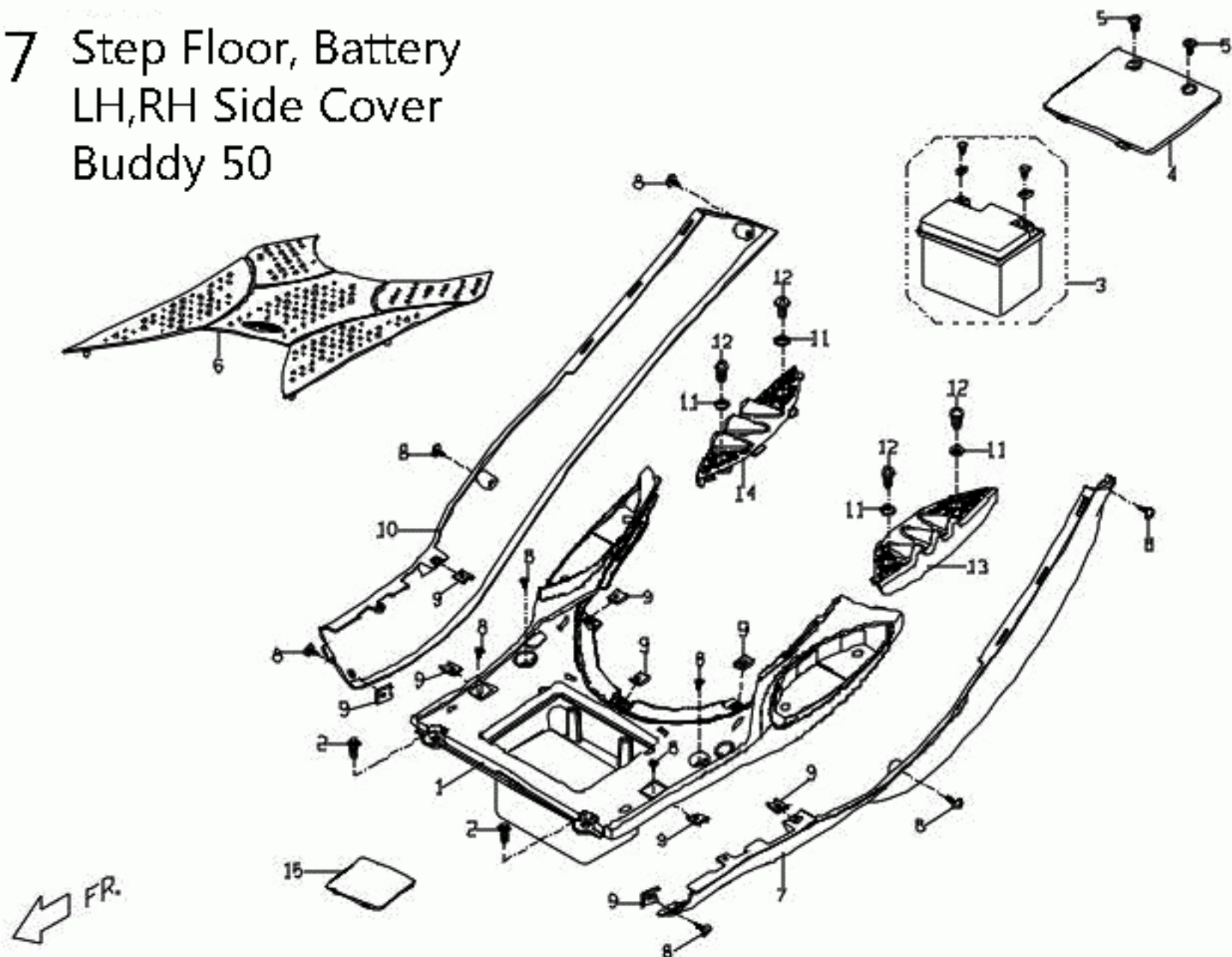


Table - F7 STEP FLOOR, BATTERY

NO.	PartNo.	Q'TY	PART NAME
1	SEE PAGE 1	1	STEP FLOOR, DIAGRAM PAGE 1
2	90200602500	4	SCREW WITH WASHER
3	P5583000000	1	BATTERY
4	C2624031650	1	BATTERY COVER ALL
5	90130501401	2	C-R RECESS PAN HD. TAPPING
6	SEE PAGE 1	1	MAT FLOOR SEE DIAGRAM PAGE 1
7	SEE PAGE 1	1	LH SIDE COVER SEE DIAGRAM PAGE 1
8	90150501602	10	C-R RECESS PAN HD. TAPPING
9	92370500003	9	U TYPE SPRING NUT
10	SEE PAGE 1	1	RH SIDE COVER SEE DIAGRAM PAGE 1
11	92140600018	4	WASHER
12	90040602200	4	CR PAN HD MACHINE SCREW(M6*22L
13	C26240217701	1	STEP PLATE,LH REAR, silver
14	C262D0217701	1	STEP PLATE,RH REAR, silver

# F8 Body Cover, Body Cover Frt RR Luggage Buddy 50

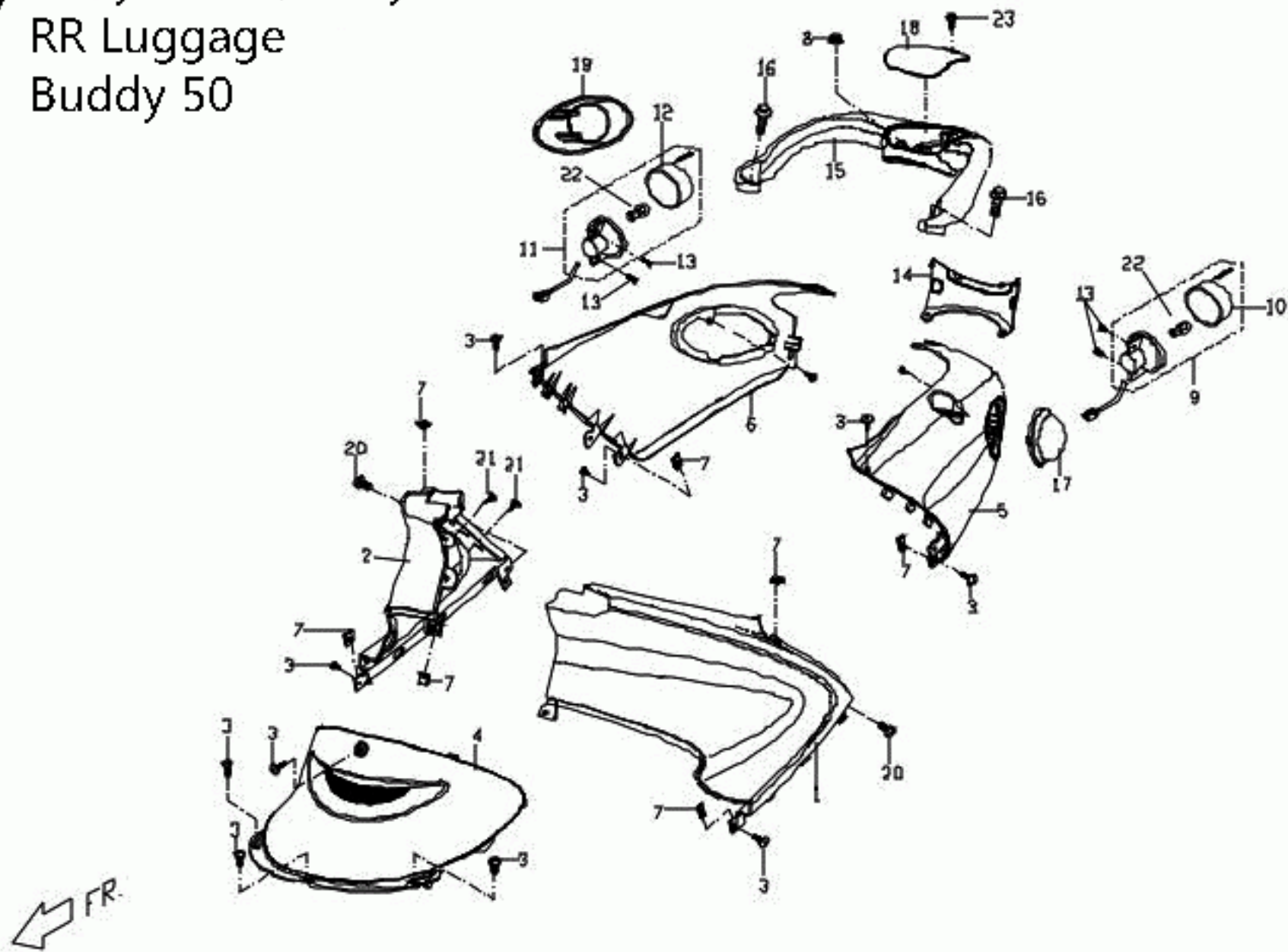


Table - F8 BODY COVER, BODY COVER FRT, LUGGAGE

NO.	Part No.	QTY	PART NAME	NO.	Part No.	QTY	PART NAME
1	SEE PAGE 1	1	BODY COVER, LH FRONT, see Diagram page 1	22	98211210990	2	BULB SIGNAL ( ORANGE) 12V/10W
2	SEE PAGE 1	1	BODY COVER, RH FRONT, see Diagram page 1	23	90110401200	1	CR PAN HD TAPPING SC
3	90150501602	11	C-R RECESS PAN HD. TAPPING				
4	SEE PAGE 1	1	MIDDLE COVER, see Diagram page 1				
5	SEE PAGE 1	1	LH BODY COVER, see Diagram page 1				
6	SEE PAGE 1	1	RH BODY COVER, see Diagram page 1				
7	92370500003	7	U TYPE SPRING NUT				
8	92040800000	1	HEXAGON FLANGE NUT				
9	P566G0110002	1	LH/REAR SIGNAL LAMP COMP.				
10	P566G0200002	1	SIGNAL LAMP COVER LH REAR				
11	P566H0110002	1	RH/REAR SIGNAL LAMP COMP.				
12	P566H0200002	1	SIGNAL LAMP COVER RH REAR				
13	90110401200	4	CR PAN HD TAPPING SC				
14	SEE PAGE 1	1	REAR COVER, SEE DIAGRAM PAGE 1				
15	SEE PAGE 1	1	RR LUGGAGE BRACKET,see Diagram P1				
16	90190802000	2	HEXAGON FLANGE BOLT(M8*20L)				
17	P66256000002	1	REAR TURN SIGNAL,INNER COVER				
18	P6676010000	1	RR LUGGAGE BRACKET COVER BLACK				
19	P662E6000002	1	REAR TURN SIGNAL,INNER COVER				
20	90040601403	2	C-R PAN HD. MACHINE SCREW				
21	90130501401	2	C-R RECESS PAN HD. TAPPING				

# F9 Seat, Luggage, Tool Kit Luggage Lower Cover Tail Light Buddy 50

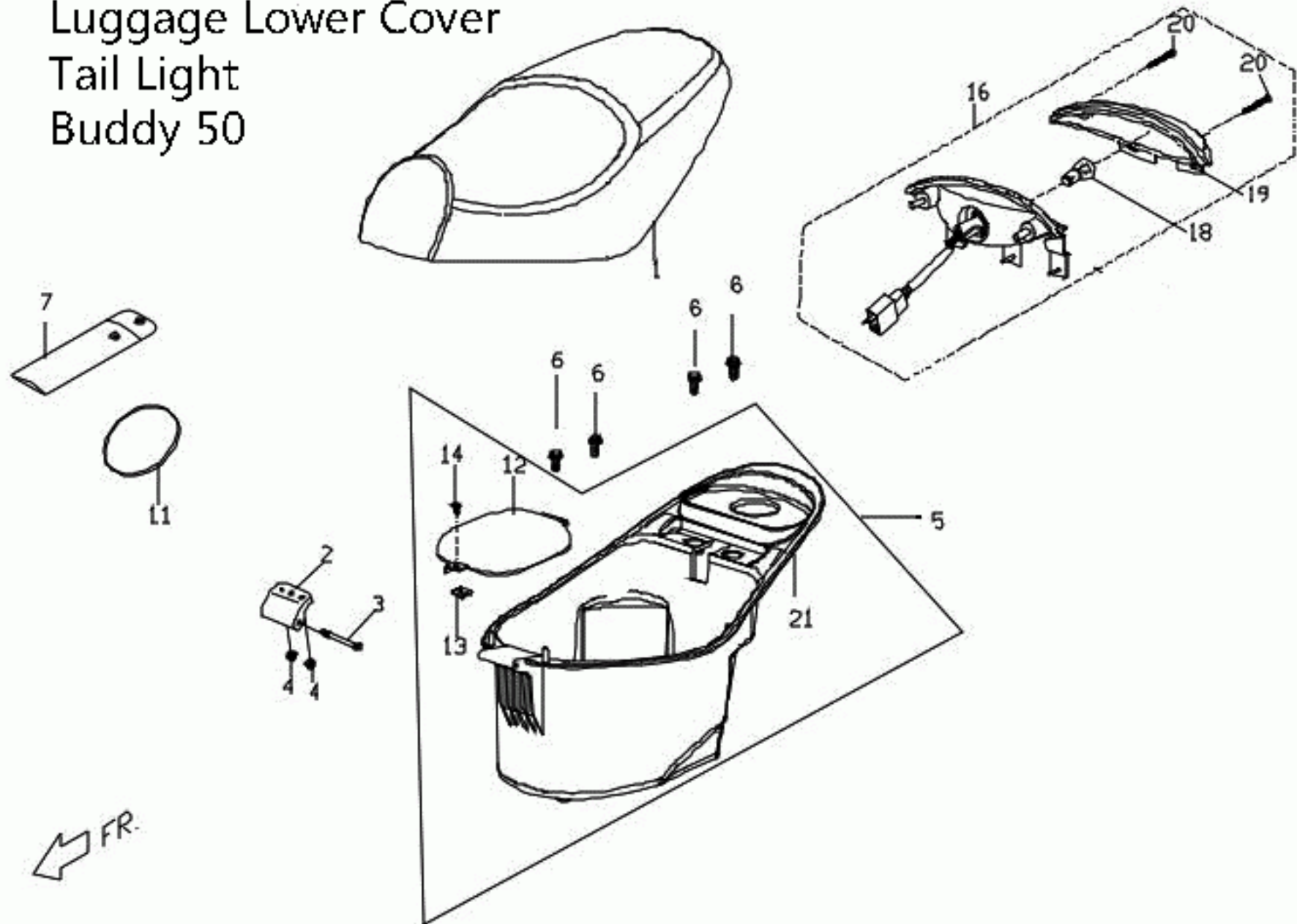


Table - F9 SEAT, LUGGAGE, TAIL LIGHT

NO.	PartNo.	Q'TY	PART NAME
1	P66710000007	1	SEAT ASSY, black
1	P66710000008	1	SEAT ASSY, white
1	P66710000009	1	SEAT ASSY, brown
1	P6671000000C	1	SEAT ASSY, Italia
1	P6671000000D	1	SEAT ASSY, St. tropez
1	P6671000000E	1	SEAT ASSY., pamplona
1	P66710010009	1	SEAT ASSY, brown
2	C1681060000	1	BRACKET, LUGGAGE
3	C1681070000	1	SPECIAL BOLT
4	92040600000	2	HEXAGON FLANGE NUT (M6*1.0P)
6	90190601502	4	HEXAGON FLANGE BOLT(M6*15L)
7	P6701030000	1	TOOL SET CLIP
7	P6706540000	1	TOOL SET
11	C1701180000	1	TOOL KIT
12	P668A020000	1	BOTTOM COVER,RACK
13	92370500003	1	U TYPE SPRING NUT
14	90150501601	1	CR TRUSS HD TAPPING SCREW(M5*16L)
15	P6701030000	1	TOOL SET CLIP
16	P56660000002	1	REAR TAIL LAMP ASSY
16	P66660000000	1	REAR TAIL LAMP ASSY LED
18	98311218050	1	BULB(21/5W) (NON LED ONLY)
19	P566F010000	1	TAIL LAMP COVER (NON LED ONLY)
20	P566F050000	2	CR ROUND MACHINE SCREW
21	P66810040000	1	LUGGAGE COMPARTMENT

# F10 License Plate, Reflector License Lamp Buddy 50

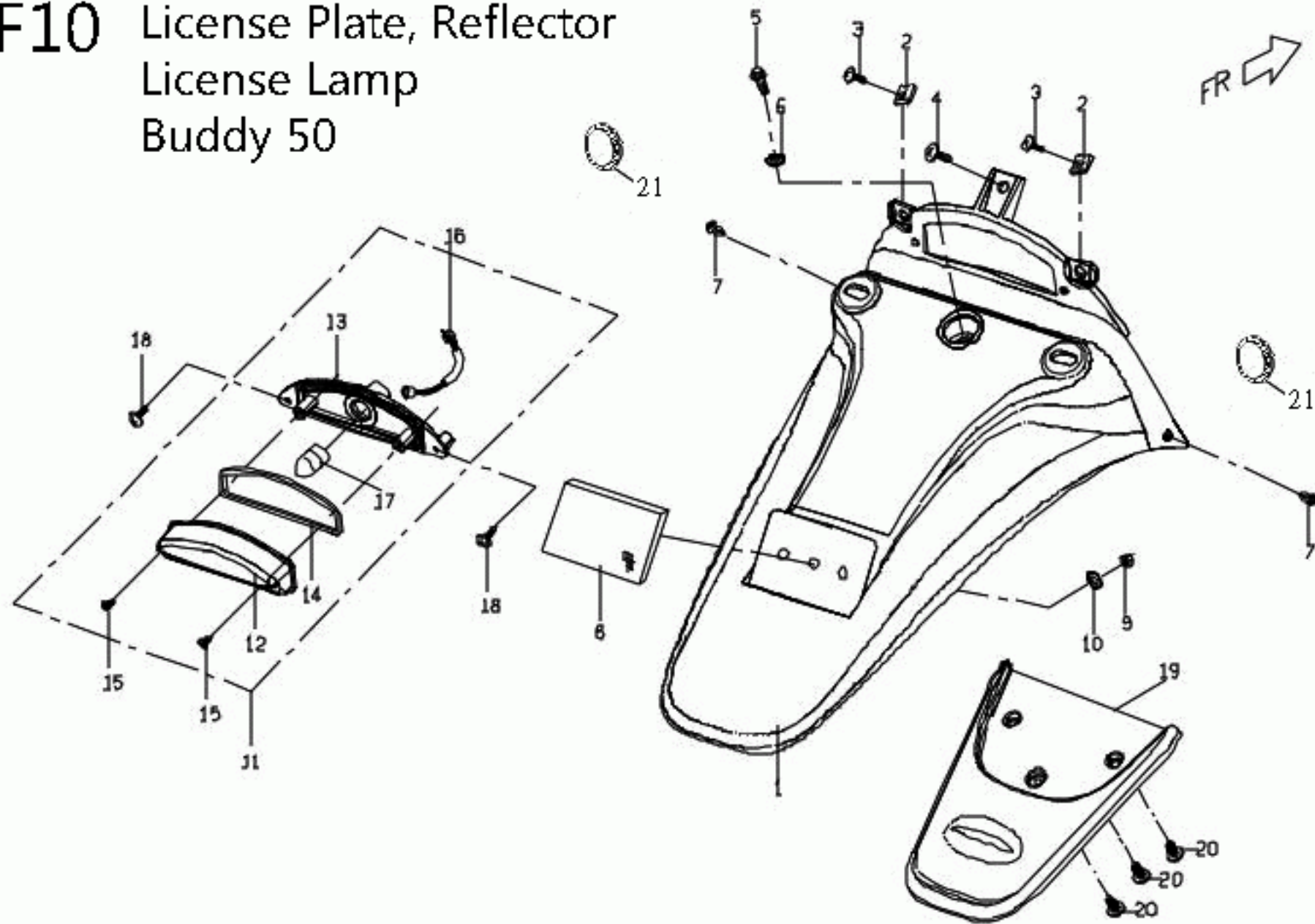


Table - F10 LICENSE PLATE, REFLECTOR LICENSE LAMP

NO.	PartNo.	Q'TY	PART NAME	NO.	PartNo.	Q'TY	PART NAME
1	SEE PAGE 1	1	LICENSE PLATE, see Diagram Page 1	18	90110401200	1	C-R PAN HEAD TAPPING SCREW M4*12L
2	92370500003	2	U TYPE SPRING NUT	19	P6636010650	1	LICENSE PLATE LOWER PART BLACK
3	90150501601	2	CR TRUSS HD TAPPING SCREW(M5*16L)	19	P66360104400	1	LICENSE PLATE LOWER PART St. Tropez
4	90130501401	1	C-R RECESS PAN HD. TAPPING	19	P66360103V00	1	LICENSE PLATE LOWER PART Oxford Grn
5	90040601403	1	C-R PAN HD. MACHINE SCREW	19	P66360103L0	1	LICENSE PLATE LOWER PART Italia
6	92140600018	1	WASHER	19	P66360102Q0	1	LICENSE PLATE LOWER PART Brown
7	E1701040000	2	SPIRAL RIVET	19	P66360102N0	1	LICENSE PLATE LOWER PART Sunset
8	P56690010000	1	REFLECTOR REAR ASSY	19	P66360102800	1	LICENSE PLATE LOWER PART Mocha
9	92020500000	1	HEXAGON NUT (M5*0.8P)	19	P66360101U00	1	LICENSE PLATE LOWER PART Pamplona
10	92140500014	1	PLAIN WASHER	19	P66360101R0	1	LICENSE PLATE LOWER PART Potent Pink
11	P5666900000	1	LICENCE LAMP ASSY.	20	90110401200	3	C-R RECESS PAN HD TAP SCREW M4*12L
12	P566F910000	1	LEN, LICENCE LIGHT	21	C16690000001	2	SIDE REFLECTOR , RED
13	P566F920000	1	SOCKET	22	P5636010000	1	BRACKET, SIDE REFLECTOR
14	P566F930000	1	PACKING	23	92040600000	2	HEXAGON FLANGE BOLT M6*1.0P
15	P566F940000	1	TAPPING SCREW	24	P5708010000	2	PIVOT
16	P566F950000	1	WIRE SET				
17	P566F960000	1	BULB.LICENCE LIGHT 12V-5W				



# F11 Fuel Tank Buddy 50

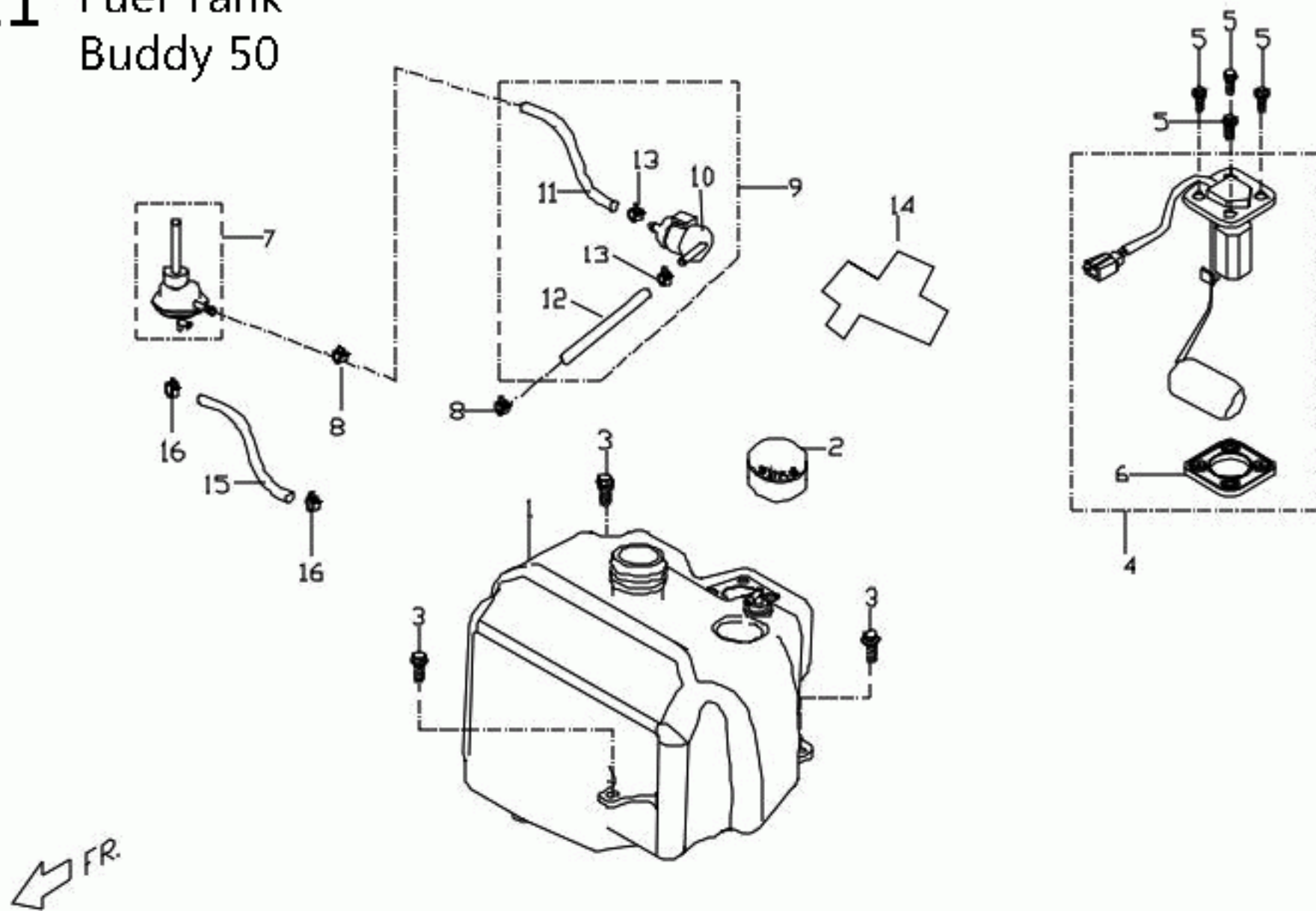


Table - F11 FUEL TANK

NO.	PartNo.	Q'TY	PART NAME
1	P65215000003	1	FUEL TANK IRON 2008 AND NEWER
1	P65215000001	1	FUEL TANK PLASTIC 2006-07 ONLY
2	P65213000001	1	TANK COVER (VENTED) IRON TANK 2008 AND UP
2	E1521302000	1	TANK COVER PLASTIC 2006-2007 ONLY
3	90190601502	3	HEXAGON FLANGE BOLT(M6*15L)
4	P6521700000	1	GAUGE COMP,FUEL 2006-07
4	P65217000001	1	GAUGE COMP,FUEL 2008 AND NEWER
5	90180501600	4	HEXAGON FLANGE BOLT
6	C152A090000	1	FUELLESS PACKING
7	P6523000000	1	AUTO COCK ASSY
8	92220800001	2	BOARD CLAMP
9	P65212000003	1	FUEL FILTER ASSY COMPLETE
10	P65212100001	1	FUEL FILTER COMP.
11	P652A0200003	1	OIL HOSE (A)
12	P652A0300003	1	OIL HOSE (B),
13	92220900001	2	HOSE CLAMP
14	P6706011000	1	BRACKET, FUEL FILTER
15	P65260300001	1	RUBBER HOSE
16	92220700000	2	BOARD CLAMP

# F12 Frame Buddy 50

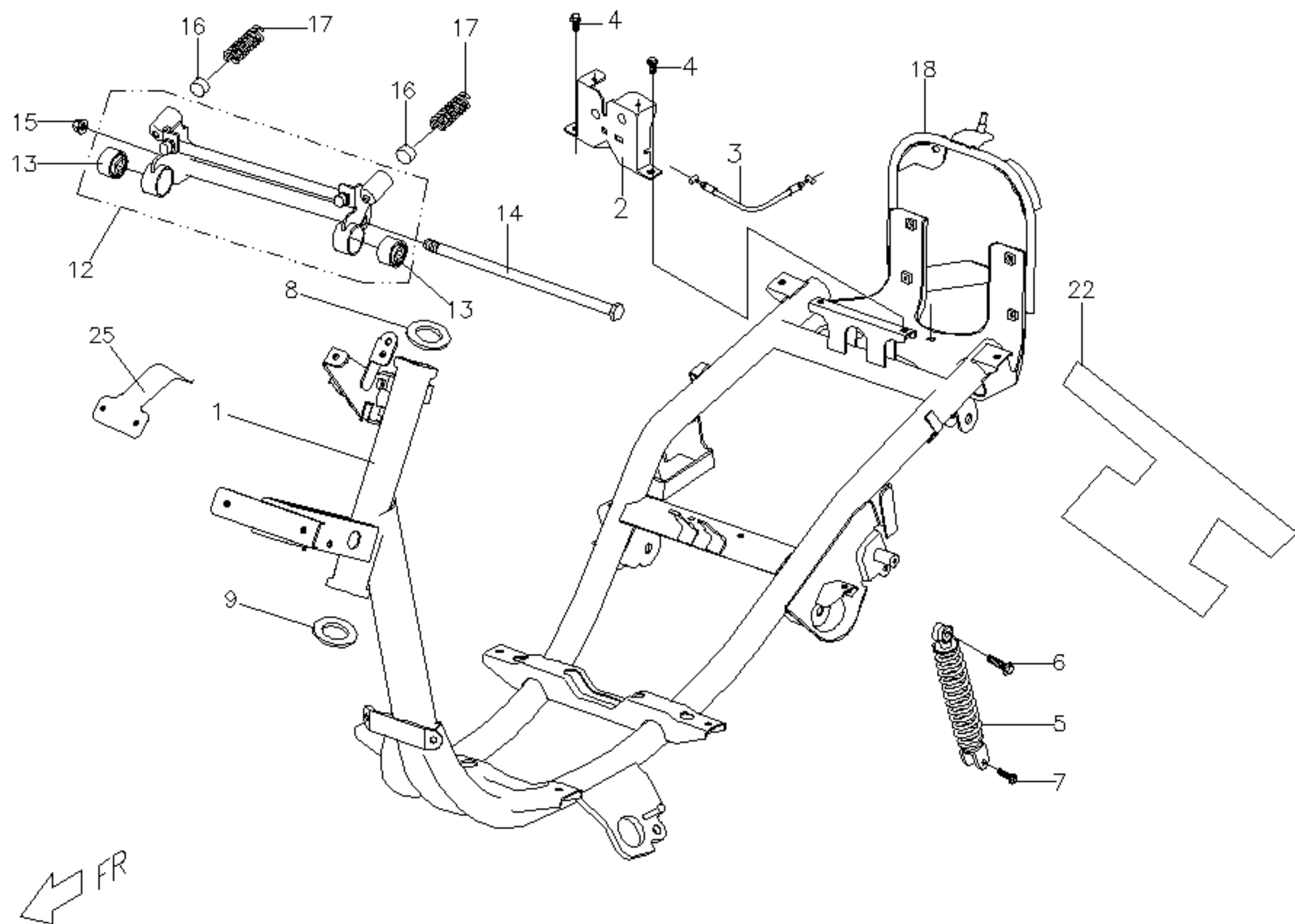


Table - F12 FRAME BUDDY 50

NO.	PartNo.	Q'TY	PART NAME
1	P64210046002	1	FRAME ASSY
2	ES671300000	1	SEAT LOCK ASSY
3	P5671121000	1	SEATLOCK LEVER ROPE
4	90190601502	2	HEXAGON FLANGE BOLT(M6*15L)
5	P64810021000	1	SUSPENSION ASSY.REAR
6	90191004000	1	HEXAGON FLANGE BOLT (M10*1.25P*40L)
7	90190803201	1	HEXAGON FLANGE BOLT(
12	C14860010001	1	BODY JOINTING COMP, E/G HANGER
13	C1486050000	2	RUBBER DAMPING
14	90021229600	1	HEXAGON BOLT
15	92061000001	1	HEXAGON LOCK NUT (M10*1.25P)
15	92061000005	1	HEXAGON FLANGE NUT
16	E1486040000	2	COVER, CUSHION RUBBER
17	E1486050000	2	COMPRESSION SPRING
18	P64215016001	1	BRACKET - METAL FUEL TANK 2008 >
18	P64215016000	1	BRACKET - PLASTIC FUEL TANK 2006-07
22	P6701020000	1	WATERPROOF CUSHION
23	P64260600003	1	VIN PLATE
25	P6421411600	1	SOCKET, WINDSHIELD

# F13 Wire Harness Buddy 50

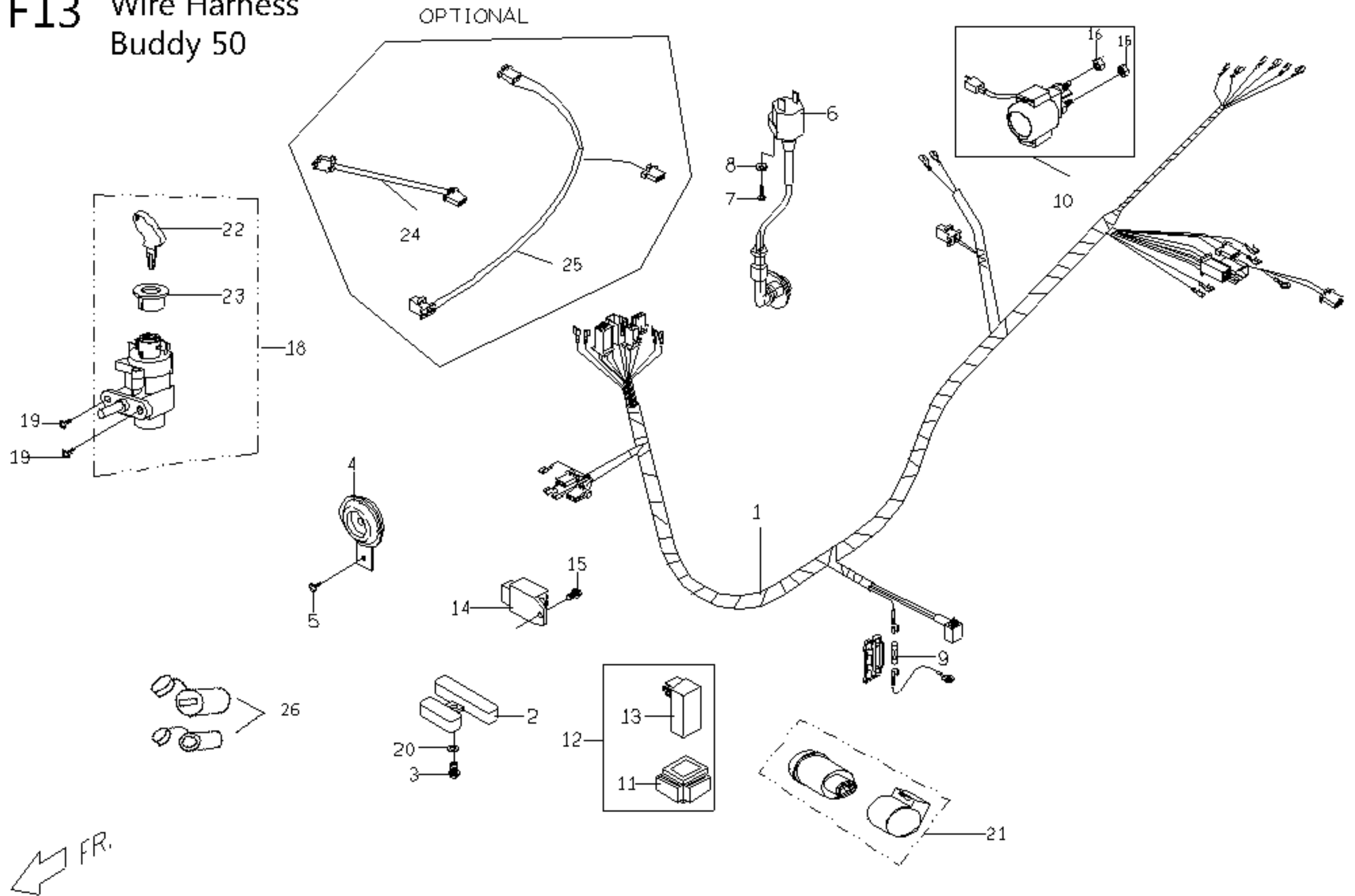


Table - F13 WIRE HARNESS

NO.	PartNo.	QTY	PART NAME	NO.	PartNo.	QTY	PART NAME
1	P65816000006	1	WIRE HARNESS,MAIN 2007 AND NEWER	14	C1584000000	1	REGULATOR COMP
1	P65816010002	1	WIRE HARNESS,MAIN 2006 ONLY	15	90190602000	1	HEXAGON FLANGE BOLT(M6*20L)
2	P15866000002	1	RESISTOR B	18	P5552002000	1	<b>IGNITION SWITCH COMP. 11/2012 and OLDER</b>
3	90190601200	1	HEXAGON FLANGE BOLT(M6*1.0P*12L)	18	P55520000003	1	<b>IGNITION SWITCH COMP. 12/2012 and NEWER</b>
3	90190601207	1	HEXAGON FLANGE BOLT(M6*1.0P*12L)	19	90040601600	2	CR PAN HD MACHINE SCREW(M6*16L)
4	P5583600000	1	HORN	20	92140600018	1	WASHER
5	90040601403	1	C-R PAN HD. MACHINE SCREW	21	P2586011000	1	FLASHER RELAY ASSY
6	C15846010001	1	COIL COMP IGNITION	22	ES55B010000	1	KEY
7	90070502000	1	CR TRUSS HD MACHINE SCREW(M5*20L)	23	P555B020000	1	FACE PLATE
8	92110500000	1	SPRING LOCK WASHER	24	P2581660000	1	HEAD LIGHT ADAPTOR
9	E1581630000	1	FUSE 8A	25	M25816600000	1	FRONT TURN SIGNAL,CONNECT WIRE
10	P9581000000	1	STARTER RELAY	26	B5583040000	1	CELL PHONE CHARGING PORT
11	P1701190000	1	RUBBER BRACKET	27	P25816300000	1	CONNECTING WIRE,CELL PH CHG PORT
13	P5582000000	1	CDI	28	98701201000	1	FUSE 1A

**Table - F13 WIRE HARNESS**

NO.	PartNo.	QTY	PART NAME	NO.	PartNo.	QTY	PART NAME
1	P65816000006	1	WIRE HARNESS,MAIN 2007 AND NEWER	14	C1584000000	1	REGULATOR COMP
1	P65816010002	1	WIRE HARNESS,MAIN 2006 ONLY	15	90190602000	1	HEXAGON FLANGE BOLT(M6*20L)
2	P15866000002	1	RESISTOR B	18	P5552002000	1	<b>IGNITION SWITCH COMP. 11/2012 and OLDER</b>
3	90190601200	1	HEXAGON FLANGE BOLT(M6*1.0P*12L)	18	P55520000003	1	<b>IGNITION SWITCH COMP. 12/2012 and NEWER</b>
3	90190601207	1	HEXAGON FLANGE BOLT(M6*1.0P*12L)	19	90040601600	2	CR PAN HD MACHINE SCREW(M6*16L)
4	P5583600000	1	HORN	20	92140600018	1	WASHER
5	90040601403	1	C-R PAN HD. MACHINE SCREW	21	P2586011000	1	FLASHER RELAY ASSY
6	C15846010001	1	COIL COMP IGNITION	22	ES55B010000	1	KEY
7	90070502000	1	CR TRUSS HD MACHINE SCREW(M5*20L)	23	P555B020000	1	FACE PLATE
8	92110500000	1	SPRING LOCK WASHER	24	P2581660000	1	HEAD LIGHT ADAPTOR
9	E1581630000	1	FUSE 8A	25	M25816600000	1	FRONT TURN SIGNAL,CONNECT WIRE
10	P9581000000	1	STARTER RELAY	26	B5583040000	1	CELL PHONE CHARGING PORT <b>Round Outlet</b>
11	P1701190000	1	RUBBER BRACKET	26	P65831000000	1	CELL PHONE CHARGING PORT <b>USB</b>
13	P5582000000	1	CDI	27	P25816300000	1	CONNECTING WIRE,CELL PH CHG PORT
				28	98701201000	1	FUSE 1A

# F14 Oil Tank Buddy 50

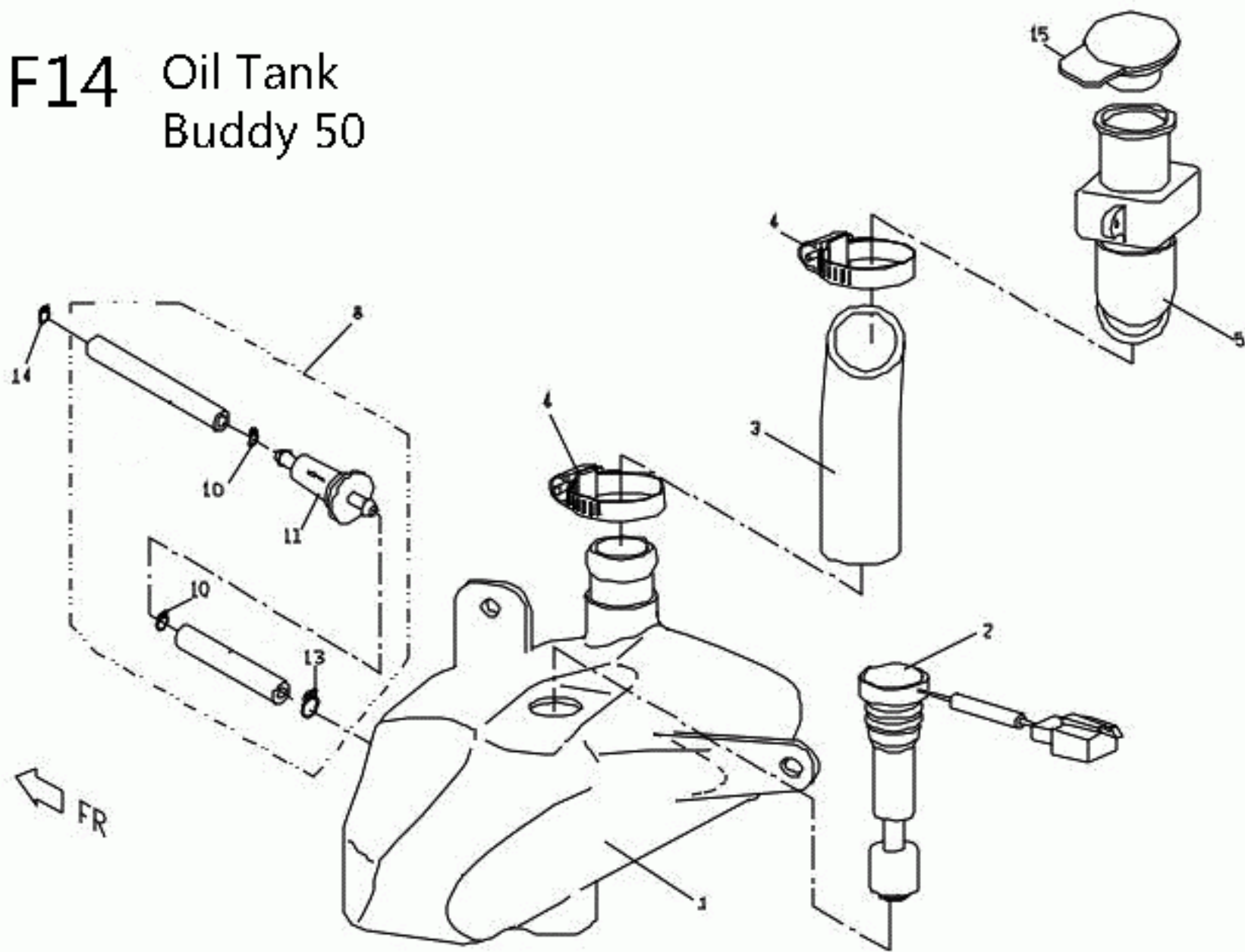




Table - F14 OIL TANK

NO.	PartNo.	Q'TY	PART NAME
1	P6522501000	1	OIL TANK
2	P5522700000	1	OIL GAUGE COMP
3	P65225210002	1	OIL FUEL TRANSMSSION HOSE
4	P5706270000	1	CLAMP
5	P5522512000	1	THROTTLE CAP, OIL
6	P65225300002	1	PLATE,ENGINE OIL CAP
7	90110401200	2	CR PAN HD TAPPING SC
8	P6522200000	1	OIL FILTER
10	92200700000	2	CLIP
11	E152B000000	1	FILTER
13	92200700000	1	CLIP
14	92200700000	1	CLIP
15	P1522300000	1	OIL COVER
16	P5706280000	1	HOSE CLIP

# BUDDY-50

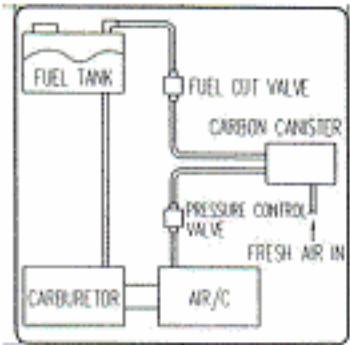
**ATTENTION**

- PLEASE WEAR HELMET WHILE RIDING
- FOR SECURITY PLEASE DON'T TAMPER ANY PART
- PLEASE PERFORM THE CHECK AND MAINTENANCE ACCORDING TO PROVISION
- LOADING OF LUGGAGE BOX CAN'T BE MORE THAN 10KG
- DON'T TOUCH EXHAUST PIPE WHILE WARM ENGINE
- BEFORE RIDING PLEASE READ USER MANUAL IN DETAIL

**限用無鉛汽油**  
**UNLEADED GAS ONLY**

In order to let your scooter run smoothly, be sure to change the engine oil at 300 Km for a new scooter and each 1000Km.

**GEAR BOX OIL QUANTITY**  
PLEASE USE ASSIGNED OIL:SAE #140  
**TOTAL QUANTITY:0.110ℓ**  
**DISPLACEMENT QUANTITY:0.090ℓ**



THIS VEHICLE IS A LIMITED SPEED MOTORCYCLE AND USE OF THIS VEHICLE MAY BE RESTRICTED BY PROVINCIAL AUTHORITIES TO CERTAIN ROADS.  
CE VÉHICULE EST UNE MOTOCYCLLETTE À VITESSE LIMITÉE ET L'UTILISATION DE CE VÉHICULE PEUT ÊTRE RESTREINTE À CERTAINES ROUTES PAR LES GOUVERNEMENTS PROVINCIAUX.

**UNLEADED GAS ONLY**

**Buddy**  
**50**



**WARNING**

- This socket is for temporary charging purpose only. Maxima output current is 1A.
- Use this socket under Key-On position only when engine is running. do not use the socket when the engine is NOT running.
- Use the fuse with the same specification as the factory setting. (10FF1A).
- Fuse is located at the back of the socket.



8



15



16



20

1

2

3

4

5

7

9

10

11

12

13

14

Table - F15 STICKERS, LOGOS , EMBLEMS

NO.	PartNo.	Q'TY	PART NAME
1	C16030010001	1	NOTICE ADHSIVE LABEL
2	P1603040000	1	STICKER, FUEL TYPE
3	C16030100001	1	OIL CHANGE STICKER
4	C16031400001	1	NOTICE STICKER, GEAR OIL
5	P6603010000	1	E.E.C MARK STICKER
7	P66014000000	1	GENUINE LOGO STICKER
8	C1603070000	1	TIRE INFORMATION PAPER
9	P1603040000	1	FUEL TYPE LABEL
10	P66013800000	3	BUDDY 50 STICKER
11	P66014700000	3	BUDDY-ITALIAN STICKER
12	P26031100000	1	WARNING LABEL,SOCKET
13	P66015400000	3	BUDDY-SPAIN STICKER
14	P66015500000	1	USA "F" STICKER
15	P66015600000	1	USA "E" STICKER
16	P66015700000	1	USA "I" STICKER
20	P66015300000	1	BUDDY- Pamplona LABEL