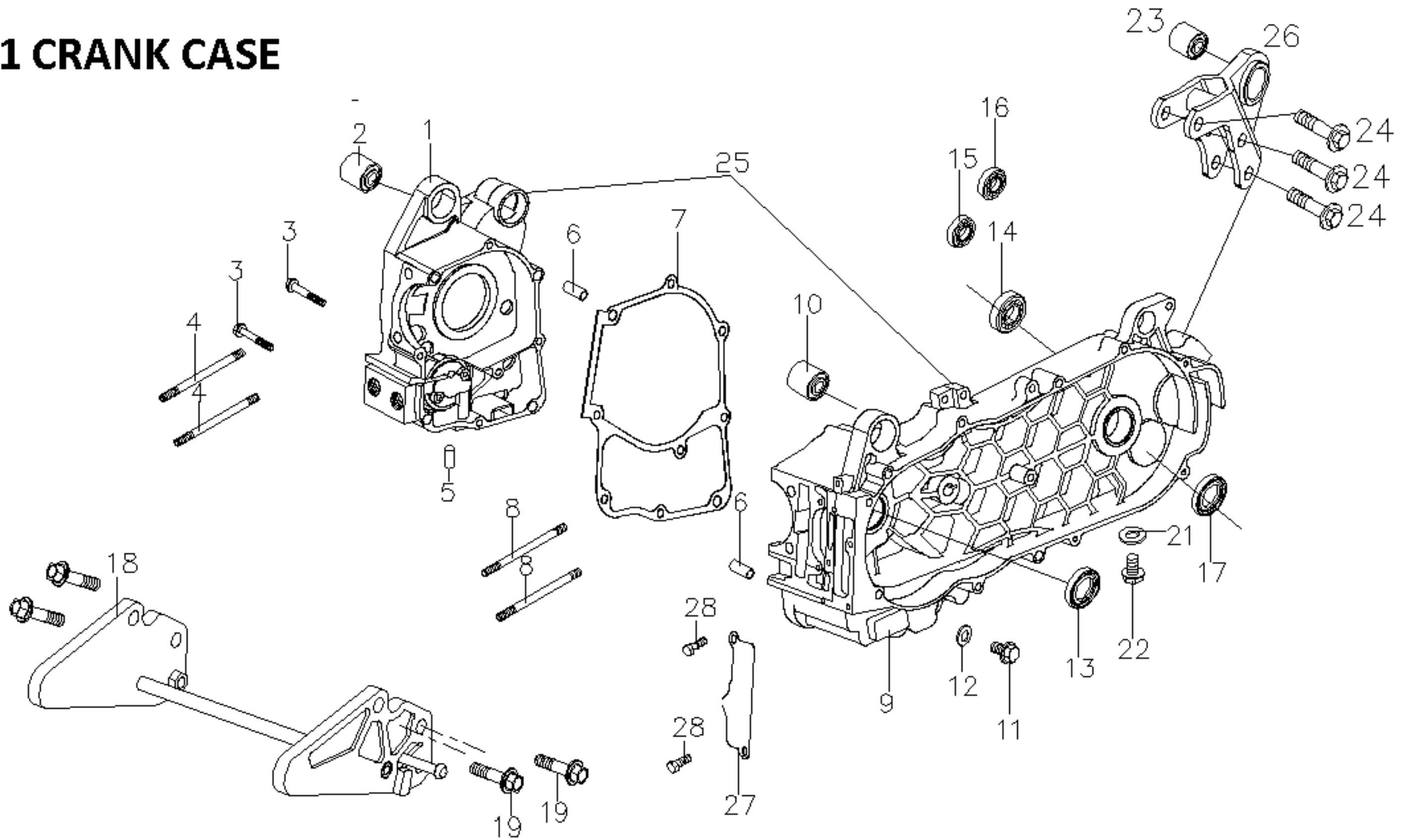


HOOLIGAN 170i Table of Contents

E1 CRANK CASE	F1 STEERING COVER / HANDLE BARS
E2 LEFT HAND SIDE COVER	F2 SPEEDOMETER
E3 CYLINDER HEAD / VALVES	F3 SWITCHES / LEVERS / MIRRORS
E4 CRANKSHAFT / CYLINDER	F4 FRONT FORK
E5 RIGHT CRANK CASE COVER	F5 FRONT WHEEL / DISK BRAKE
E6 INJECTION SYSTEM	F6 HEADLAMP / WINDSHIELD
E7 DRIVING PULLEY	F7 STEP FLOOR
E8 GENERATOR / STATOR	F8 BODY COVER
E9 STARTING MOTOR	F9 SEAT / LUGGAAGE (UNDER SEAT)
E10 GEAR BOX	F10 LICENCE PLATE / REFLECTOR / BACK LAMP
E11 AIR CLEANER	F11 FRAME / REAR SUSPENSION
E12 MUFFLER	F12 FUEL CAP
E13 REAR WHEEL / DISK BRAKE	F13 FUEL TANK
E14 OIL COOLER / LEFT HAND SIDE COVER	F14 MAIN STAND / SIDE STAND
	F15 WIRE HARNESS / ELECTRONICS
	F16 EEC SYSTEM
	F17 EMBLEMS / STICKERS

E1 CRANK CASE

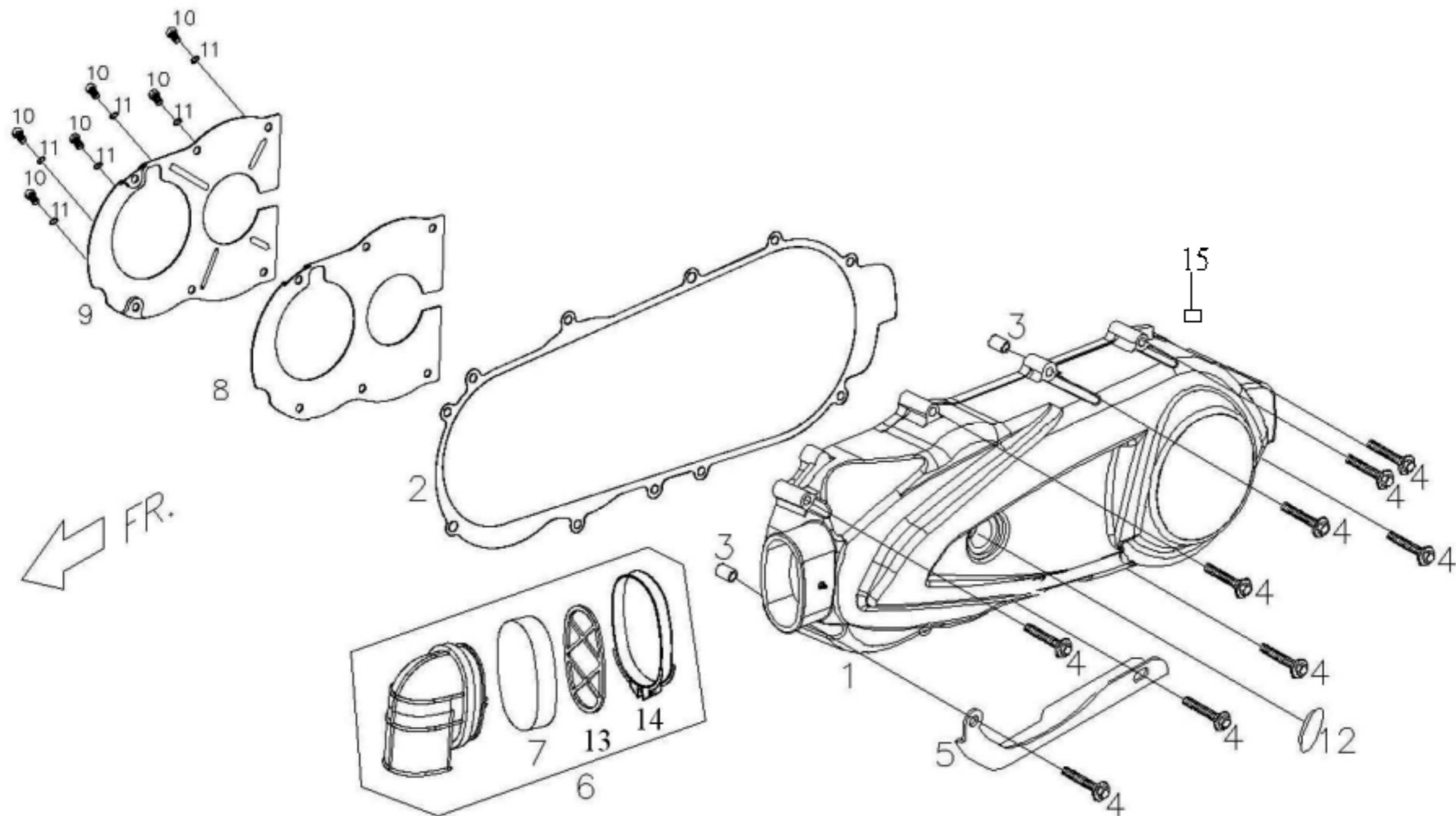


FR.

E1 CRANK CASE

NO.	PART NO.	QTY	PART NAME
1	C90610100000	1	CRANKCASE , RIGHT
2	E1061020000	1	BUSH, QUAKEPROOF
3	90190609500	2	HEXANGON FLANGE BOLT
4	90170820500	2	STUD BOLT
5	G1061070000	1	OIL PLUG
6	93540801400	2	LOCK PIN
7	C5061041000	1	CRANKCASE GASKET
8	90170819500	2	STUD BOLT
9	C90620100001	1	CRANKCASE LEFT
10	E1061020000	1	BUSH, QUAKEPROOF
11	90181201501	1	HEXAGON HEAD BOLT FLANGE
12	92141200006	1	WASHER
13	95572032600	1	OIL SEAL TC TYPE(SD20)
14	96510620407	1	DEEP GROOVE BALL BEARING
15	96510620200	1	BALL BEARING
16	96510620301	1	BALL BEARING
17	95572032600	1	OIL SEAL TC TYPE(SD20)
18	BF4510106000	1	ENGINE LOWER HANGER
19	90191002000	4	HEXAGON FLANGE BOLT(M10*1.25P*1)
21	92140800001	1	WASHER (8*1.6T)
22	90190801202	1	HEXAGON FLANGE BOLT (M8*12L)
23	P1062020000	1	BUSH, QUAKEPROOF
24	90190804002	3	HEXANGON FLANGE BOLT
25	C906K0100001	1	LH/RH CRANKCASE COMP
26	C10623000001	1	BRACKET REAR CUSHION
27	C1286320000	1	PLATE, 2ND AIR COVER
28	90190601203	1	HEXANGON FLANGE BOLT(M6*1.0P*1)

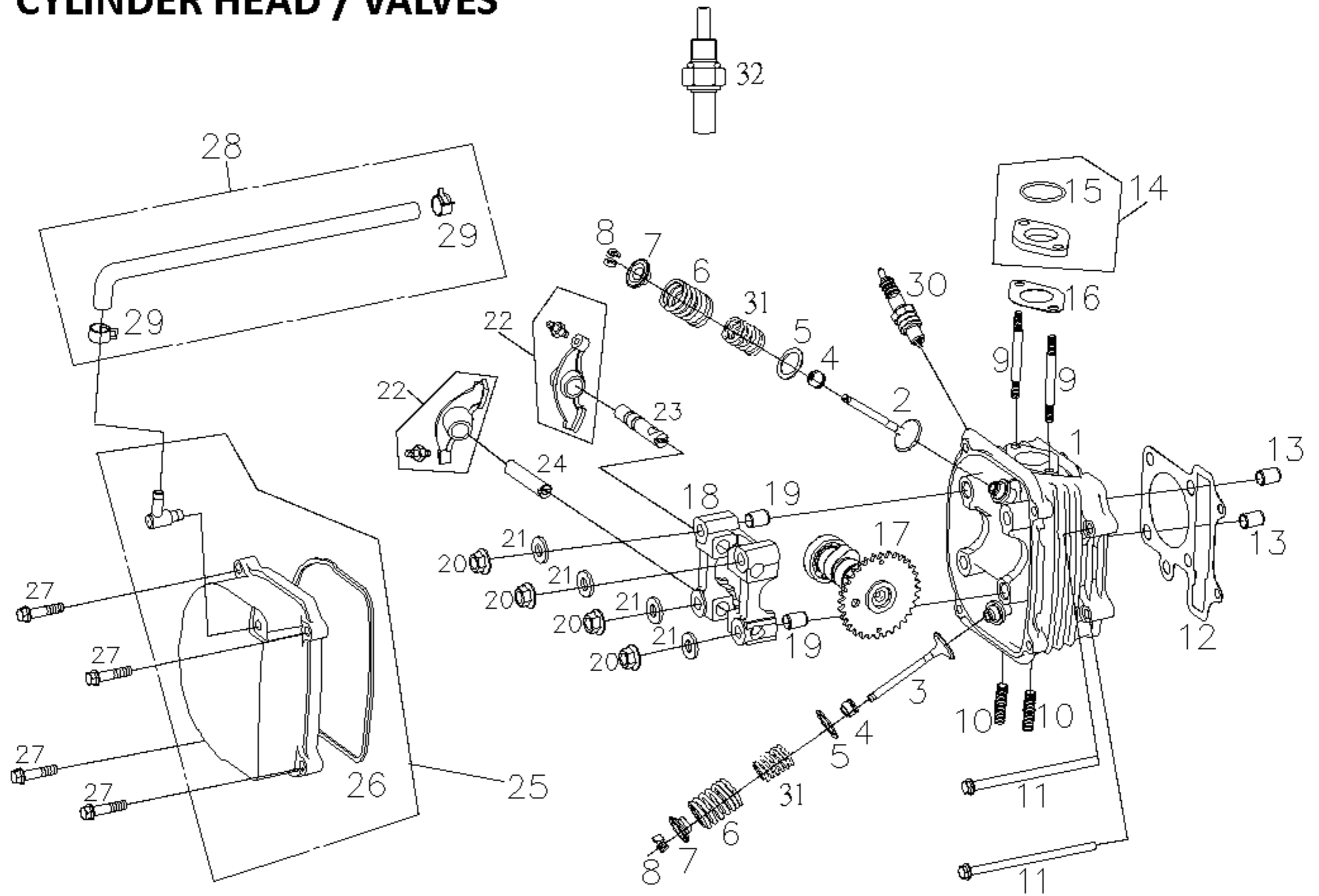
E2 LEFT HAND SIDE COVER



E2 LEFT HAND SIDE COVER

NO.	PART NO.	QTY	PART NAME
1	C50630106D02	1	LH SIDE COVER
2	C1063021000	1	GASKET LEFT COVER
3	93540801400	2	LOCK PIN
4	90190604001	10	HEXAGON FLANGE BOLT (M6*40L)
5	C1062081000	1	BRACKET, CENTER STAND
6	ES071190000	1	BREATHER PIPE COMP.
7	C1063092000	1	SPONGE,BREATHER PIPE
8	C50630600000	1	PARTITION PLATE
9	C50631200000	1	GASKET PARTITION PLATE
10	90050500900	6	CR ROUND HD MACHINE SCREW(M5*9
11	92110500000	6	SPRING LOCK WASHER
12	C17013000001	1	PLASTICS PLUG ASSY.
13	C1063110000	1	FIXING PLATE
14	C1706280000	1	CLAMP
15	C16031400001	1	SQUARE

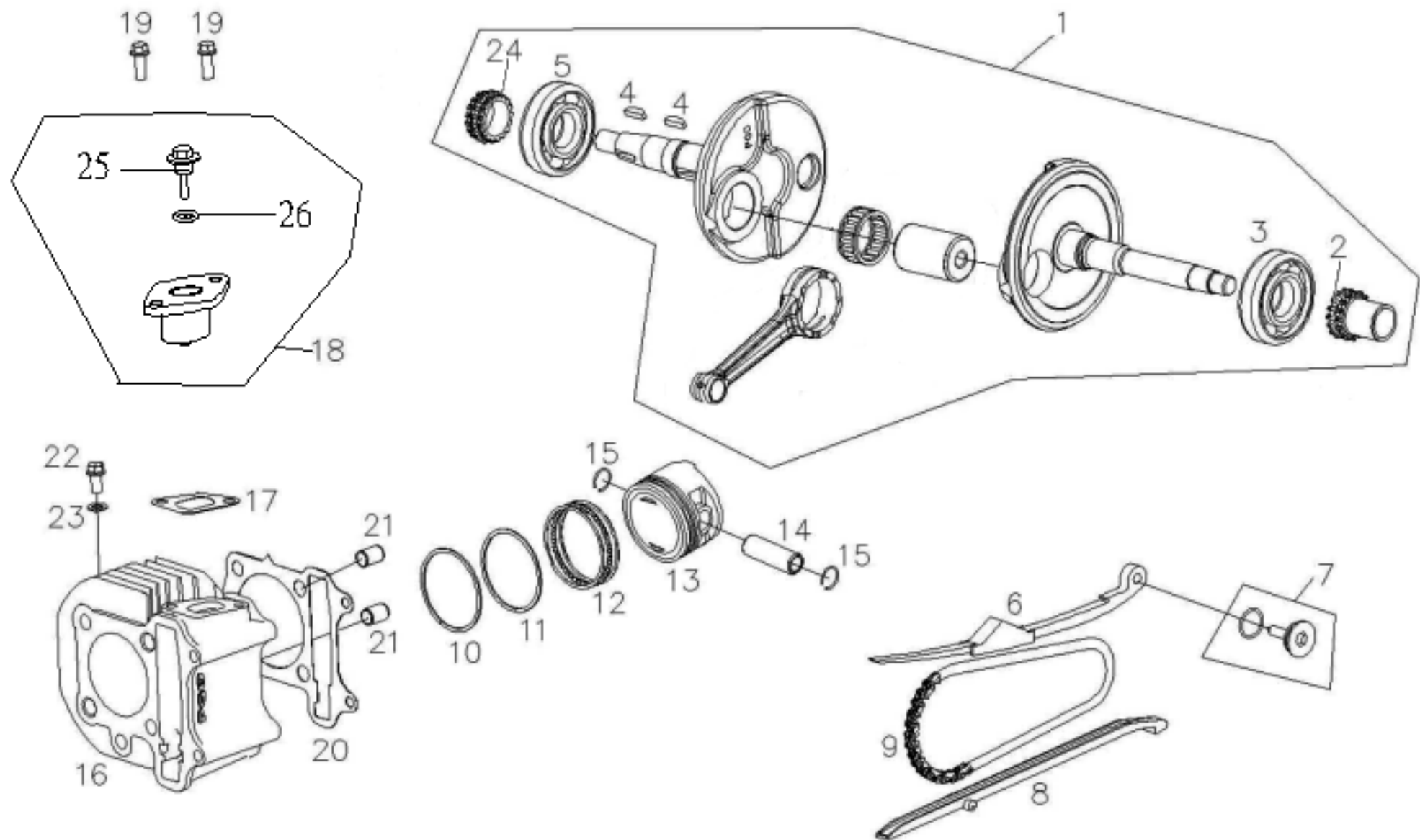
E3 CYLINDER HEAD / VALVES



E3 CYLINDER HEAD / VALVES

NO.	PART NO.	QTY	PART NAME
1	C5071011000	1	CYLINDER HEAD
2	C5071300000	1	VALVE INLET
3	C5071200000	1	VALVE EXHAUST
4	C1071451000	2	SEAL, VALVE
5	92431600002	2	WASHER
6	C5071411000	2	VALVE SPRING
7	C1071440000	2	RETAINER, VALVE SPRING
8	C1071430000	4	COTTER VALVE
9	90170606300	2	STUD BOLT
10	90170802900	2	STUD BOLT
11	90190610001	2	HEXAGON FLANGE BOLT (M6*100L)
12	C90710700000	1	GASKET HEAD CYL.
13	93541001401	2	LOCK PIN (10*14)
14	C12613100001	1	INSULATOR COMP., CARB
15	95512700001	1	O RING
16	C1261321000	1	INSULATOR CARB. GASKET
17	C5073000000	1	CAMSHAFT ASSY
18	C1072430000	1	CAMSHAFT HOLDER
19	93541001401	2	LOCK PIN (10*14)
20	92040800000	4	HEXAGON FLANGE NUT
21	92140600018	4	PLAIN WASHER
22	C1072020000	2	VALUE ROCKER ARM COM.
23	C1072050000	1	SHAFT, IN ROCKER ARM
24	C1072060000	1	SHAFT, EX ROCKER ARM
25	C10711100002	1	COVER,CYLIENDER HEAD
26	C1071120000	1	GASKET, CYLINDER HEAD COVER
27	90190602700	4	BOLT
28	ES071190000	1	TUBE CYL., COMP.
29	92221100001	2	CLIP
30	C12220000002	1	SPARKING PLUG
31	C5071421000	2	INNER SPRING, VALVE
32	ES0716100000	1	TE SENSOR

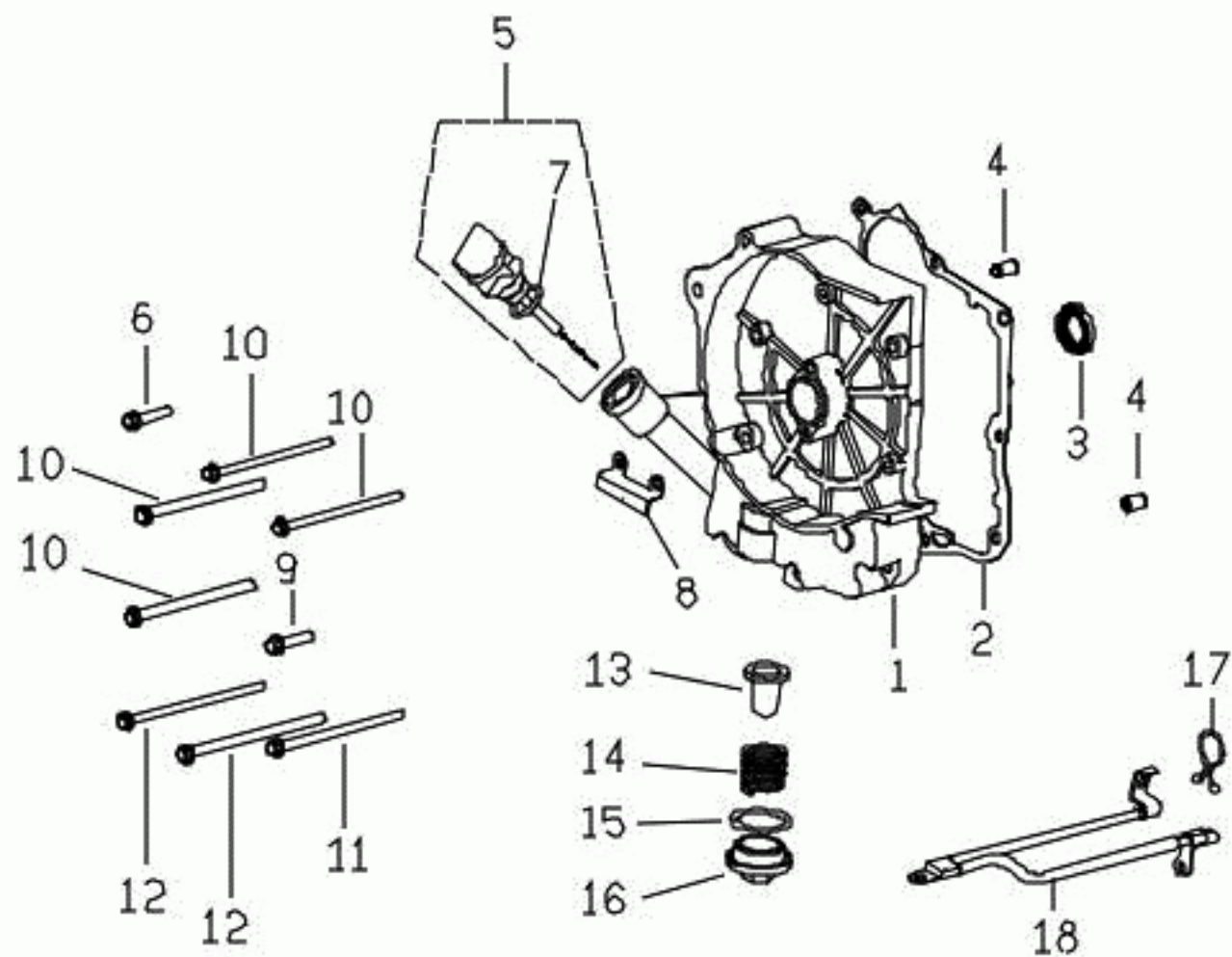
E4 CRANKSHAFT / CYLINDER



E4 CRANKSHAFT / CYLINDER

NO.	PART NO.	QTY	PART NAME
1	C50665010003	1	CRANK SHAFT ASSY.
2	C50661300001	1	TIMING SPROCKET
3	C1062100000	1	ROLLER BEARING
4	93530402500	2	WOODRUFF KEY
5	C1062100000	1	ROLLER BEARING
6	C1072440000	1	TENSIONER, TIMING CHAIN
7	C1072490000	1	SCREW ASSY, TIMING CHAIN TENSIONER
8	C5072470000	1	GUIDE COMP,CAM CHAIN
9	C1072460000	1	CHAIN, CAMSHAFT
10	C90673100000	1	PISTON RING TOP
11	C90673200000	1	PISTON RING SECOND
12	C90674000000	1	OIL SCRAPER RING COMP.
13	C90670100000	1	PISTON
14	C90671100000	1	PISTON PIN
15	G1067151000	2	CLIP, PISTON PIN
16	C90640110000	1	CYLINDER
17	C5072481000	1	GASKET, CHAIN ADJUSTER
18	C5072500000	1	CHAIN ADJUSTER COMP.
19	90190601604	2	HEXANGON FLANGE BOLT
20	C90641100000	1	GASKET ,CYLINDER
21	93541001401	2	LOCK PIN (10*14)
22	90190601207	1	HEXAGON FLANGE BOLT(M6*1.0P*12L)
23	92140600011	1	WASHER
24	C1066140000	1	OIL PUMP SPROCKET
25	90070600600	1	CHAIN ADJUSTER COMP.
26	95511000002	1	O RING

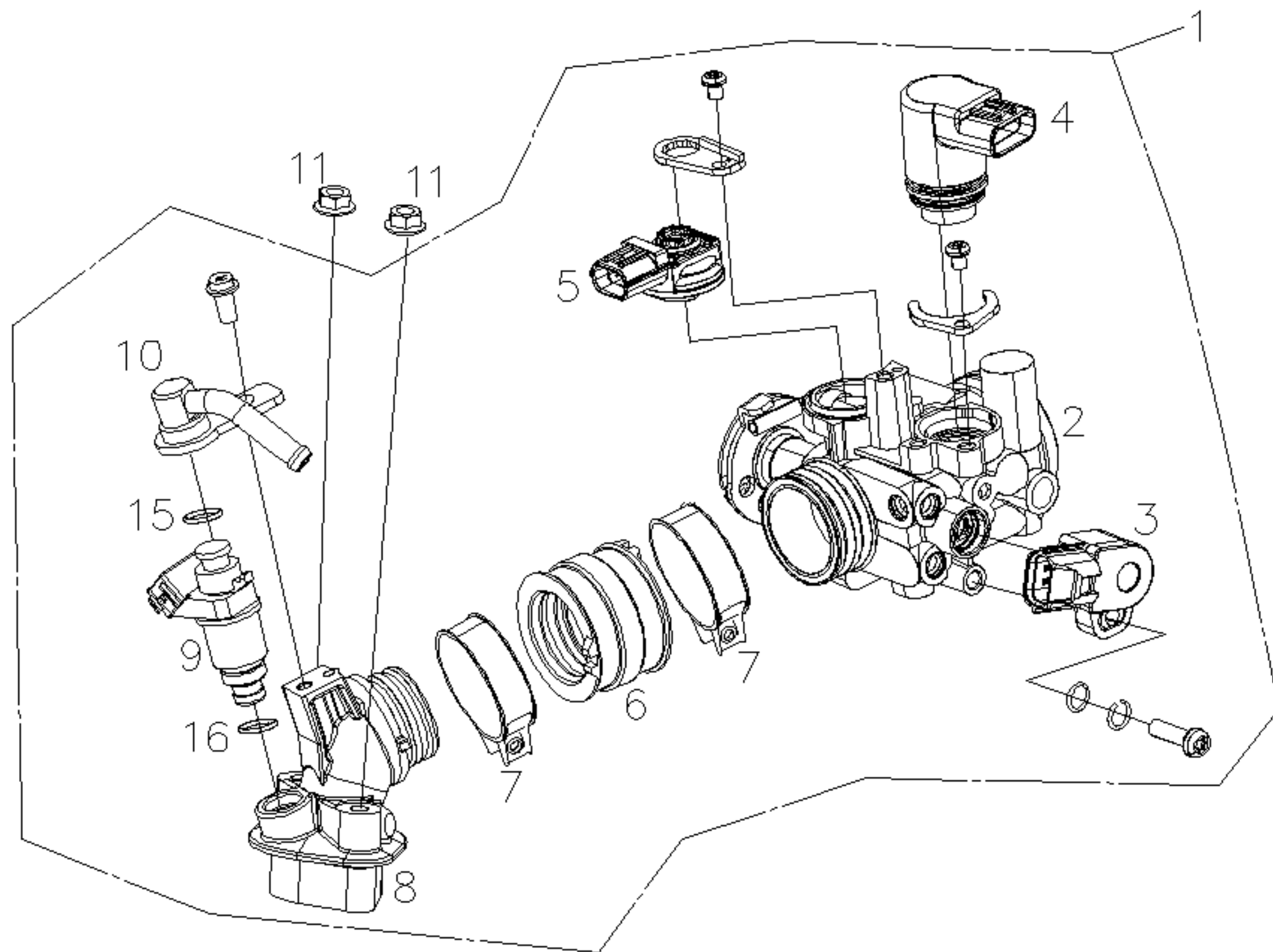
E5 RIGHT CRANKCASE COVER



E5 RIGHT CRANK CASE COVER

NO.	PART NO.	QTY	PART NAME
1	C10680130002	1	CRANKCASE COVER, RH
2	C1068021000	1	GASKET RH. CRANKCASE COVER
3	95572030501	1	OIL SEAL TC TYPE
4	93540801400	2	LOCK PIN
5	C2068110000	1	GAUGE, OIL LEVEL ASSY
6	90190603001	1	HEXAGON FLANGE BOLT (M6*30L)
7	95511800001	1	O-RING
8	C1706640000	1	A.C.G PLATE
9	90190602700	1	HEXAGON FLANGE BOLT (M6*27L)
10	90190609500	4	HEXANGON FLANGE BOLT
11	90190610001	1	HEXAGON FLANGE BOLT (M6*100L)
12	90190611000	2	HEXANGON FLANGE BOLT
13	G1062180000	1	OIL STRAINER
14	C1062190000	1	COMPRESSION SPRING
15	90190609500	4	HEXANGON FLANGE BOLT
15	95513100000	1	O RING
16	C1062240000	1	OIL STRAINER COVER
17	C1701270000	1	PLASTICS LOCK
18	BF2410300000	1	STARTING MOTOR GROUND WIRE

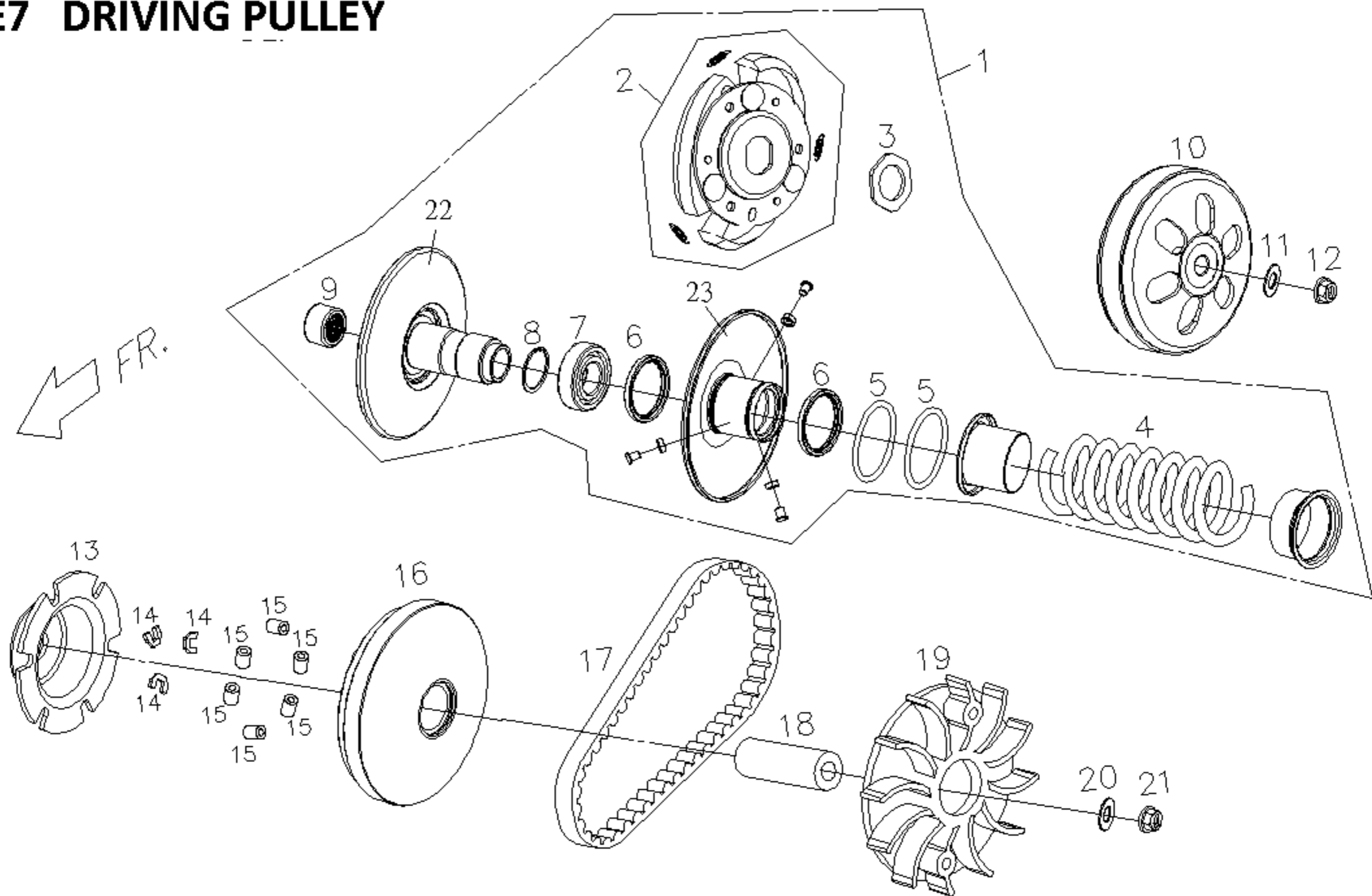
E6 INJECTION SYSTEM



E6 INJECTION SYSTEM

NO.	PART NO.	QTY	PART NAME
1	C92630200000	1	THROTTLE BODY
2	C92630200000	1	THROTTLE BODY
3	16148680000	1	THROTTLE POSITION SENSOR(TPS)
4	40004520003	1	ISC VALVE
5	16149060002	1	MAP SENSOR
6	F32630400000	1	INSULATOR
7	F32610600000	2	CLIP
8	C92610100001	1	INTAKE MAINFOLD
9	C92612300000	1	INJECTOR COMP
10	C92612200000	1	FUEL JOINT
11	92040600000	2	HEXAGON FLANGE NUT (M6*1.0P)
12	ES261070000	1	INTAKE BASE GASKET
15	C92612400000	1	O-RING
16	C92612500000	1	OIL SEAL

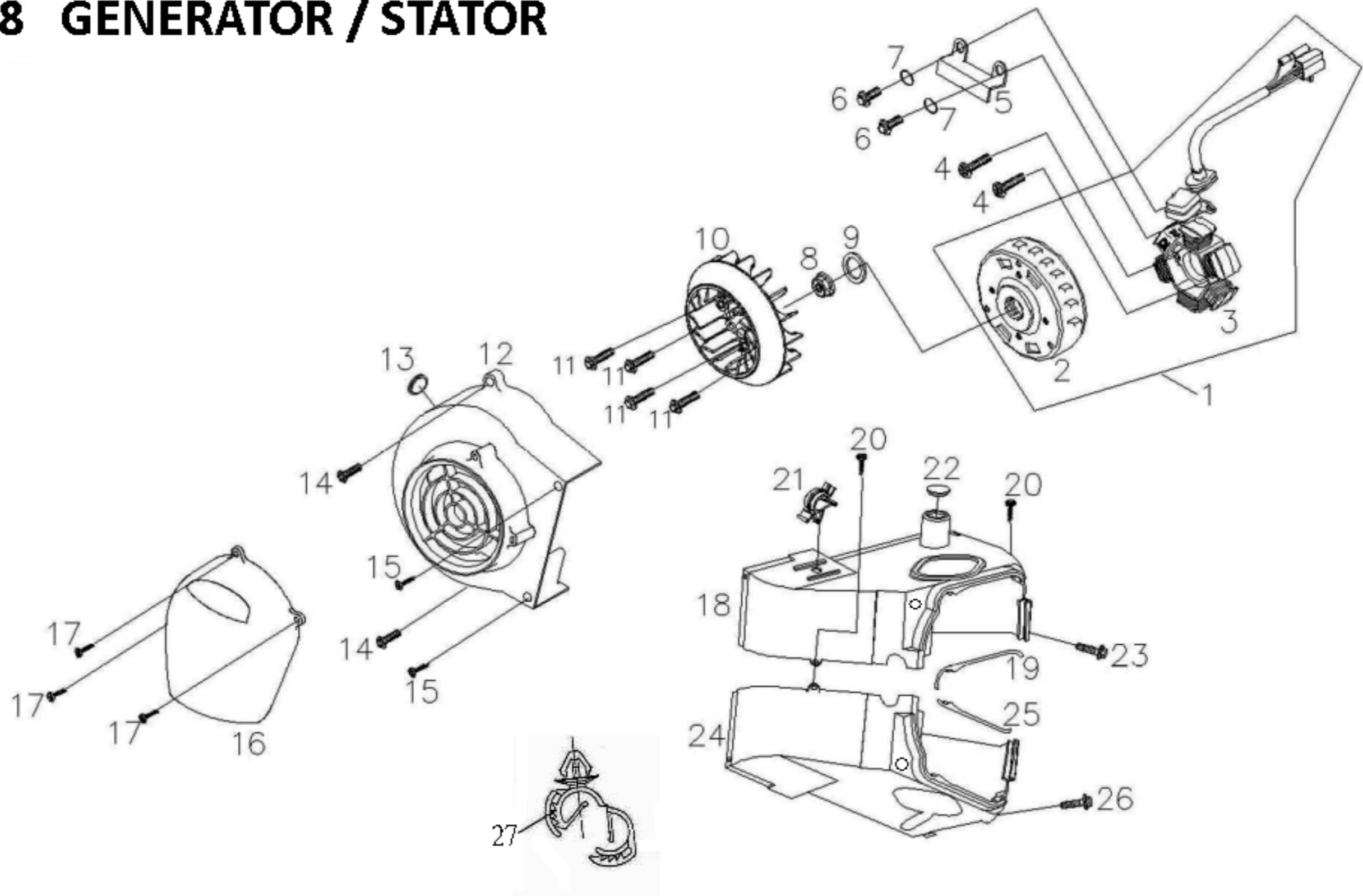
E7 DRIVING PULLEY



E7 DRIVING PULLEY

NO.	PART NO.	QTY	PART NAME
1	C5123701000	1	BELT PULLEY COMP,DRIVEN FACE
2	C51236000000	1	PLATE ASSY,DRIVE
3	P1123410000	1	NUT,SPECIAL
4	C11235210000	1	SPG.,DRIVEN FACE
5	95513700000	2	O-RING
6	95593441400	2	OIL SEAL , G TYPE
7	96520690200	1	DEEP GROOVE BALL BEAR ONE SEAL
8	92162800000	1	RETAINING RING C TYPE
9	96550202900	1	NEEDLE BEARING
10	C1123510000	1	OUTER BODY COMP.CLUTCH
11	92141500005	1	PLANE WASHER
12	92041200002	1	HEXAGON FLANGE NUT
13	C1121310000	1	PAMP PLATE
14	C1121321000	3	SLIDE PIECE
15	C11212000001	6	WEIGHT ROLLER COMP.
16	C11211000001	1	FACE MOVABLE DRIVE
17	C11220010001	1	V TYPE BELT
18	C1121050000	1	BOSS DRIVE FACE
19	C11210600001	1	DRIVE FACE
20	92141500005	1	PLANE WASHER
21	92041200002	1	HEXAGON FLANGE NUT
22	C1123110000	1	DRIVEN FACE ASSY
23	C1123210000	1	BODY COMP., DRIVEN FACE

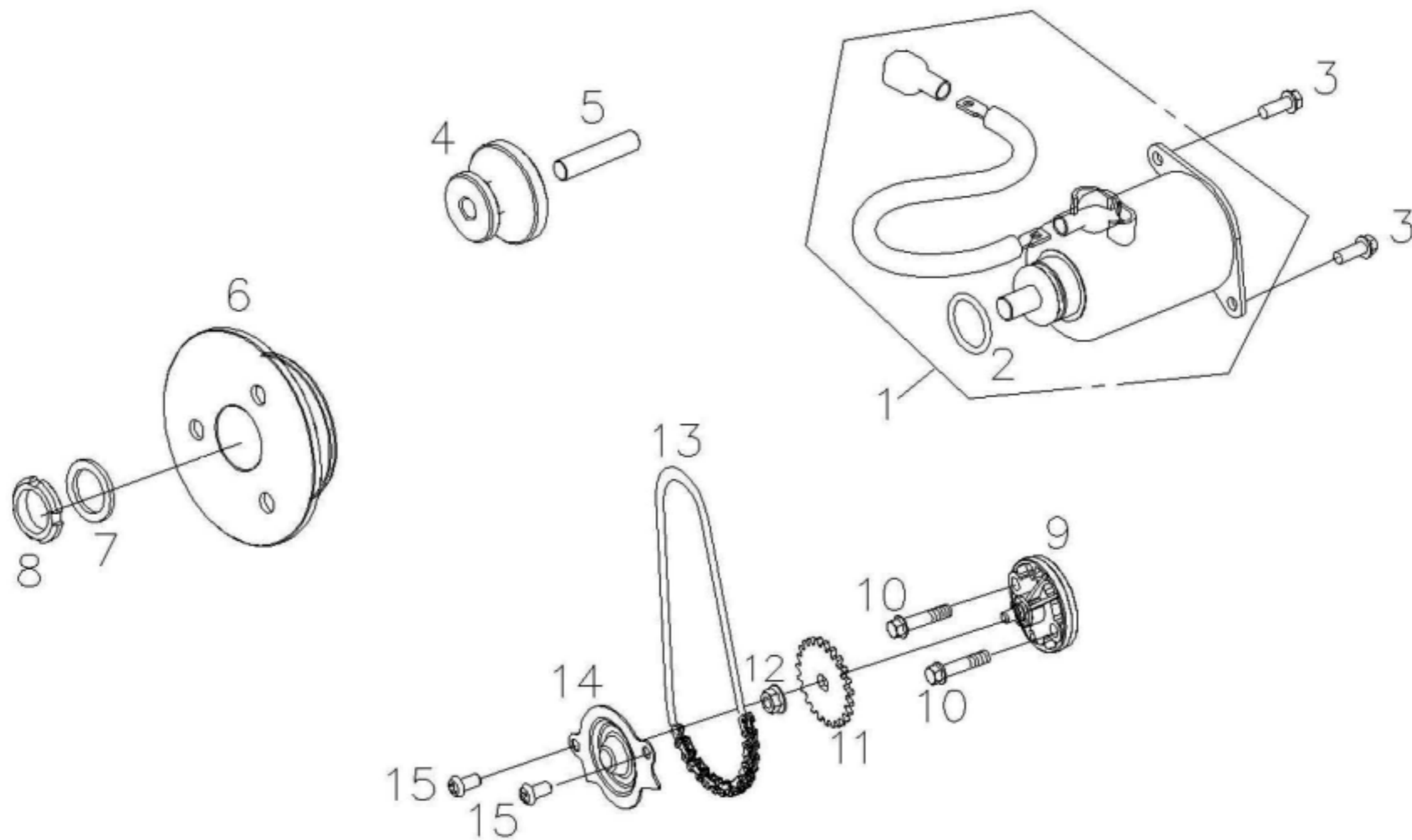
E8 GENERATOR / STATOR



E8 GENERATOR / STATOR

NO.	PART NO.	QTY	PART NAME
1	F3221000000	1	FLYWHEEL GENERATOR ASSY
2	F3221010000	1	FLYWHEEL COMP
3	F3221020000	2	STATOR COMP
4	90040602700	1	C-R PAN HD.MACHINE SCREW
5	C1706640000	1	A.C.G PLATE
6	90190501201	1	HEXAGON FLANGE BOLT (M5*12L)
7	92110500000	2	SPRING LOCK WASHER
8	92041200000	1	HEXAGON FLANGE NUT
9	92141500005	1	PLANE WASHER
10	C1043001000	1	FAN
11	90190601206	4	HEXANGON FLANGE BOLT
12	C10420020000	1	FAN COVER
13	C1042030000	1	RUBBER PLUG
14	90180602002	2	HEXAGON FLANGE BOLT (M6*20L)
15	90110401200	2	C-R RECESS PAN HD. TAPPING
16	BA0422400000	1	COVER, FAN HOOD
17	90110401600	3	CR PAN HD TAPPING SC
18	C50422100002	1	COOLING HOOD
19	C1042220000	1	SEAL, COOLING COWL (2)
20	90110401200	2	C-R RECESS PAN HD. TAPPING
21	C1701290000	1	PLASTICS LOCK
22	C1701260000	1	RUBBER PLUG
23	90180602002	1	HEXAGON FLANGE BOLT (M6*20L)
24	C5042102000	1	COOLING COWL(1)
25	C1042120000	1	SEAL, COOLING COWL (1)
26	90180602002	1	HEXAGON FLANGE BOLT (M6*20L)
27	F37010100000	2	HOLDER

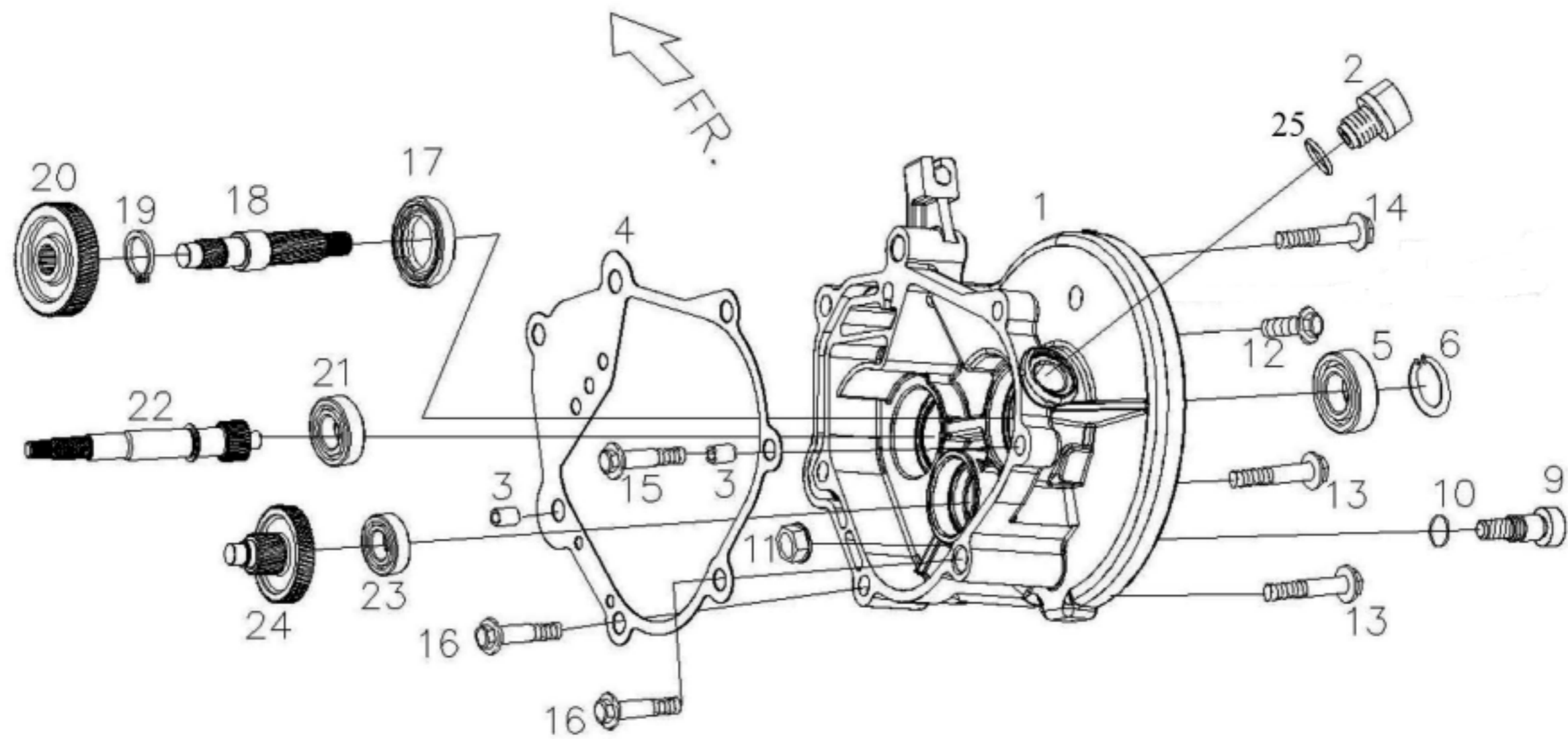
E9 STARTING MOTOR



E9 STARTING MOTOR

NO.	PART NO.	QTY	PART NAME
1	C1241000000	1	MOTOR ASSY STARTER
2	95512400002	1	O RING
3	90190601604	2	HEXANGON FLANGE BOLT
4	C1242010000	1	GEAR, STARTER REDUCTION
5	C1242040000	1	SHAFT, START REDUCTION GEAR
6	C12430000001	1	ONE WAY CLUTCH ASST.
7	92142200000	1	WASHER (22*31*2.5)
8	C1243060000	1	LOCK NUT (L)
9	F3081000000	1	PUMP ASSY,ENGINE OIL
10	90190602700	2	BOLT
11	C1081030000	1	SPRKT OIL PUMP DRIVEN
12	92040600000	1	HEXAGON FLANGE NUT (M6*1.0P)
13	C1081220000	1	CHAIN, OIL PUMP
14	C1081230000	1	SEPARATOR, OIL
15	E1681030000	2	SCREW

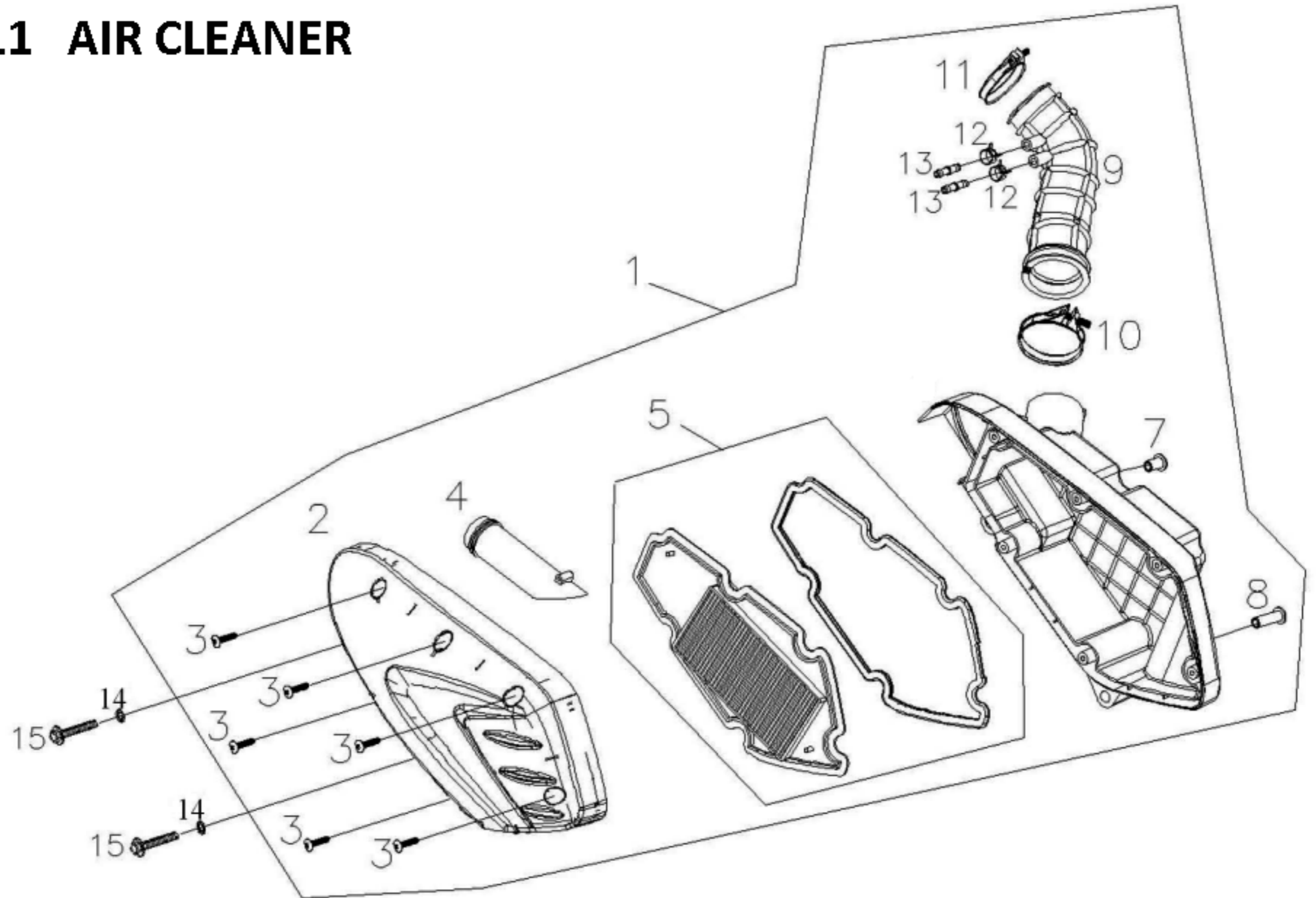
E10 GEAR BOX



E10 GEAR BOX

NO.	PART NO.	QTY	PART NAME
1	C2141011000	1	TRANSMISSION COVER
2	P1062150000	1	OIL BOLT
3	93541001401	2	LOCK PIN (10*14)
4	C2141021000	1	TRANS COVER GASKET
5	96530622200	1	BALL BEARING, DOUBLE SEALED
6	92165000000	1	RETAINING RING C TYPE
9	M2407430000	1	SHOE PIVOT, REAR BK
10	95510800000	1	O RING(7.5*1.5)
11	92060800002	1	HEXAGON FLANGE NUT
12	90190803002	1	HEXAGON FLANGE BOLT (M8*30L)
13	90190804003	2	HEXAGON FLANGE BOLT (M8*40L)
14	90190805001	1	HEXAGON FLANGE BOLT (M8*50L)
15	90190804501	1	HEXAGON FLANGE BOLT (M8*45L)
16	90190804003	2	HEXAGON FLANGE BOLT (M8*40L)
17	95572742702	1	OIL SEALTC TC TYPE
18	C11414120001	1	AXLE DRIVE
19	92172200000	1	C TYPE RETAINING RING
20	C11413110003	1	FINAL GEAR
21	96510630100	1	DEEP GROOVE BALL BEARING
22	C3141100000	1	DRIVE SHAFT
23	96510600200	1	DEEP GROOVE BALL BEARING
24	C31412000001	1	IDLE GEAR ASSY.
25	95511300001	1	O RING

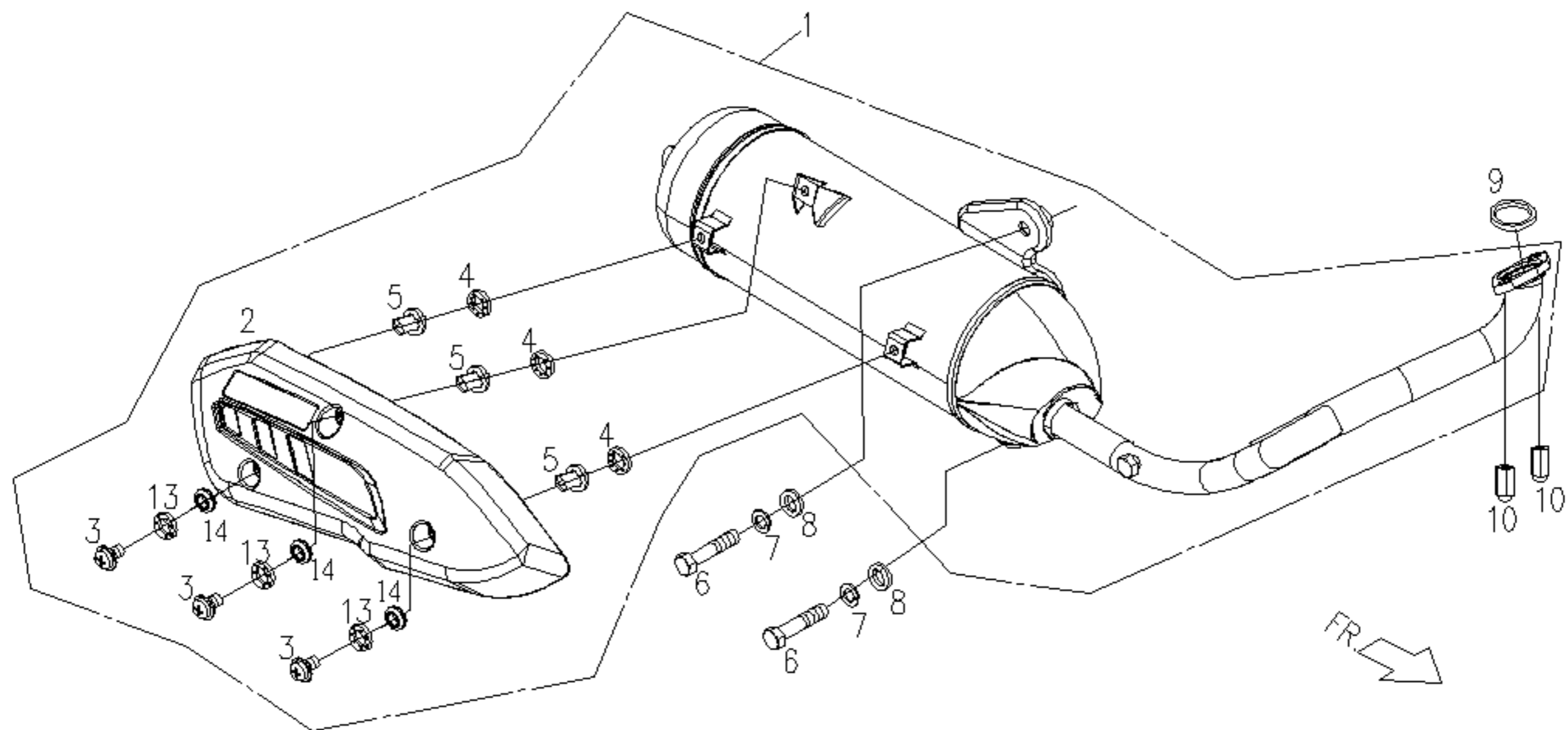
E11 AIR CLEANER



E11 AIR CLEANER

NO.	PART NO.	QTY	PART NAME
1	M22620010004	1	AIR CLEANER ASSY(150 EXPORT)
2	M22620210000	1	COVER
3	90150502500	6	C-R TRUSS HD.TAPPING SCREW
4	M2262060000	1	AIR DUCT
5	M2262070000	1	ELEMENT PARKING
7	NE262060000	1	BUSH
8	NE262060000	1	BUSH
9	M22620500004	1	JOINT TUBE
10	M2262380000	1	CLIP
11	M2262110000	1	CLIP
12	92220900001	2	CLIP
13	M2262360000	2	TUBE, TWO WAY
14	92140600018	2	WASHER
15	90190603502	2	HEXAGON FLANGE BOLT(M6*35L)

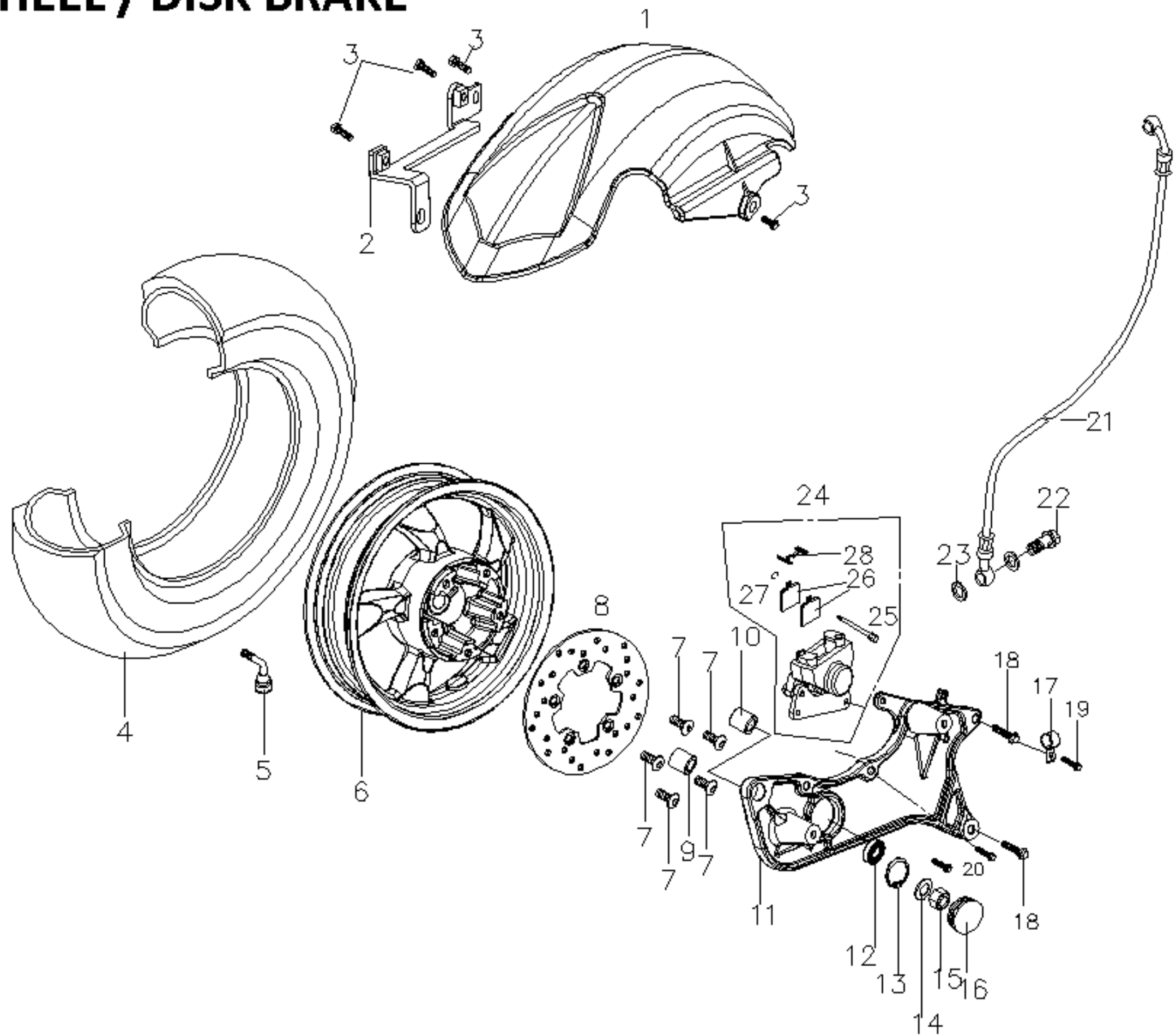
E12 MUFFLER



E12 MUFFLER

NO.	PART NO.	QTY	PART NAME
1	BF28A000000M	1	MUFFLER ASSY.
2	BF28A0100002	1	HEAT PROTECTOR
3	90110KBE9000	3	HEXAGON FLANGE BOLT (M8*40L)
4	18294KBE9000	3	WASHER(TEMPERATURE-ENDURING)
5	18291LKG29000	3	WASHER(TEMPERATURE-ENDURING)
6	90190805001	2	HEXAGON FLANGE BOLT (M8*40L)
7	92110800000	2	SPRING WASHER(8D*14D*2.2T)
8	92140800000	2	PLAIN WASHER
9	E9281020000	1	PACKING,MUFFLER
10	92050800005	2	DOMED CAP NUT
13	18292KBE9000	2	INNER SPACER
14	18293KBE9000	3	WASHER(TEMPERATURE-ENDURING)

E13 REAR WHEEL / DISK BRAKE

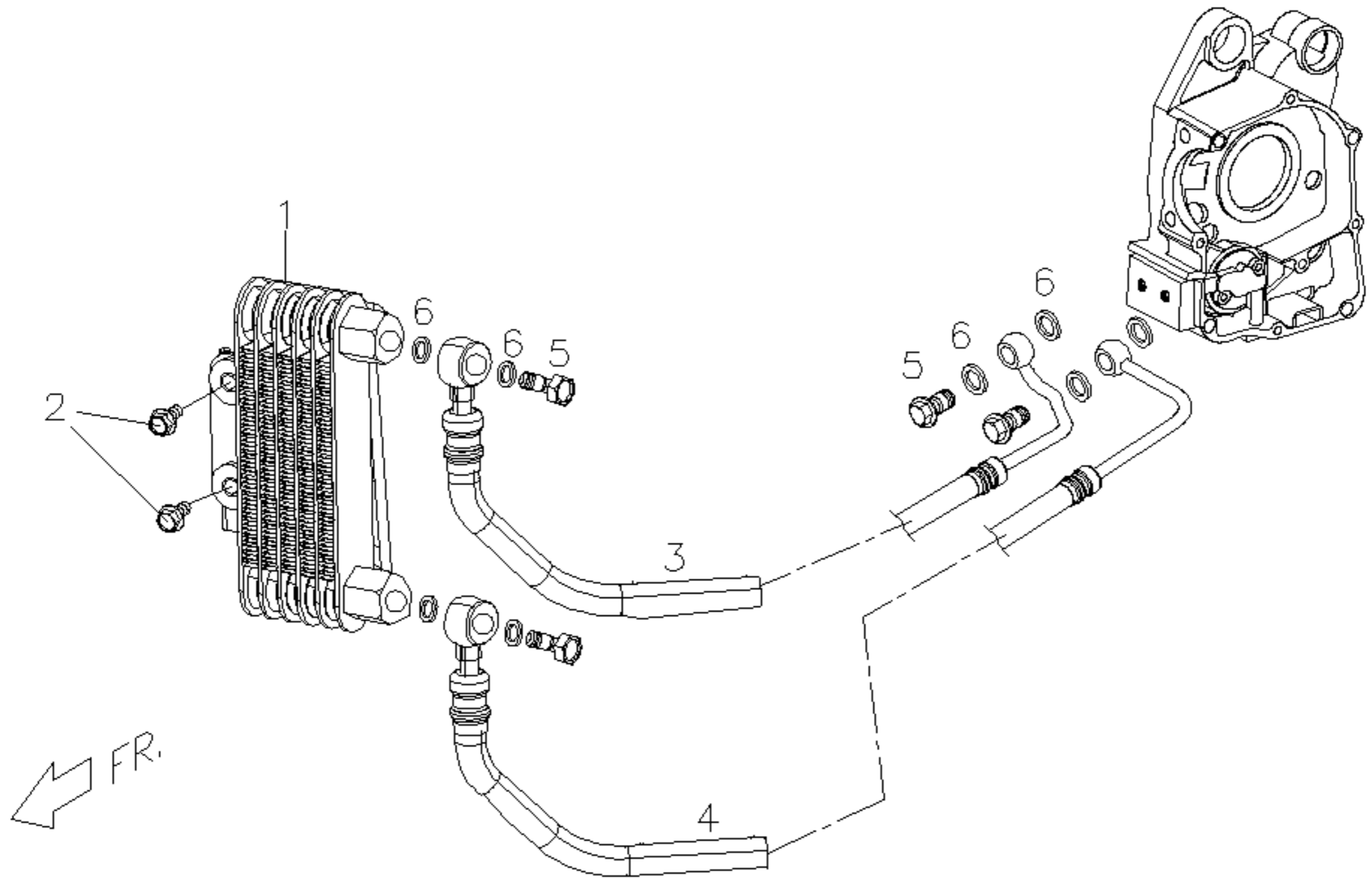


← FR.

E13 REAR WHEEL / DISC BRAKE

NO.	PART NO.	QTY	PART NAME
1	C16340006501	1	REAR FENDER
2	C5634021000	1	BRACKET,REAR FENDER
3	90190601502	1	HEXAGON FLANGE BOLT(M6*15L)
4	C540G320000	1	TIRE
5	P140B330000	1	VALVE
6	BF4061006D00	1	RIM.RR BLACK
7	C1403510000	5	SCREW, FR BRAKE DISK(M8*1.25P*24L)
8	M24068010001	1	DISC,REAR BRAKE
9	M2406840000	1	BUSH
10	E1062020000	1	DAMPER BUSH
11	BF4068317700	1	REAR FORK
12	96530600300	1	BALL BEARING, DOUBLE SEALED
13	92163500000	1	RETAINING RING C TYPE
14	92141600002	1	PLANE WASHER
15	92011600000	1	U TYPE SPRING NUT
16	M2701050000	1	PLASTIC PLUG
17	BF4036100002	1	CLAMP, BRAKE HOSE
18	90190804501	1	HEXAGON FLANGE BOLT (M8*45L)
19	90190601502	1	HEXAGON FLANGE BOLT(M6*15L)
20	90190802300	1	HEXAGON FLANGE BOLT
21	BF4037000003	1	REAR BRAKE FLUID HOSE COMP
22	P14038110000	1	JOINT BOLT,BRAKE HOSE
23	92141000018	1	PLAIN WASHER
24	BF4066011N01	1	REAR BRAKE CALIPER
25	M240F1200001	1	PAD PIN
26	M240F1700001	1	PAD ASS'Y
27	M240F1300001	1	PIN
28	M240F1100002	1	SPRING

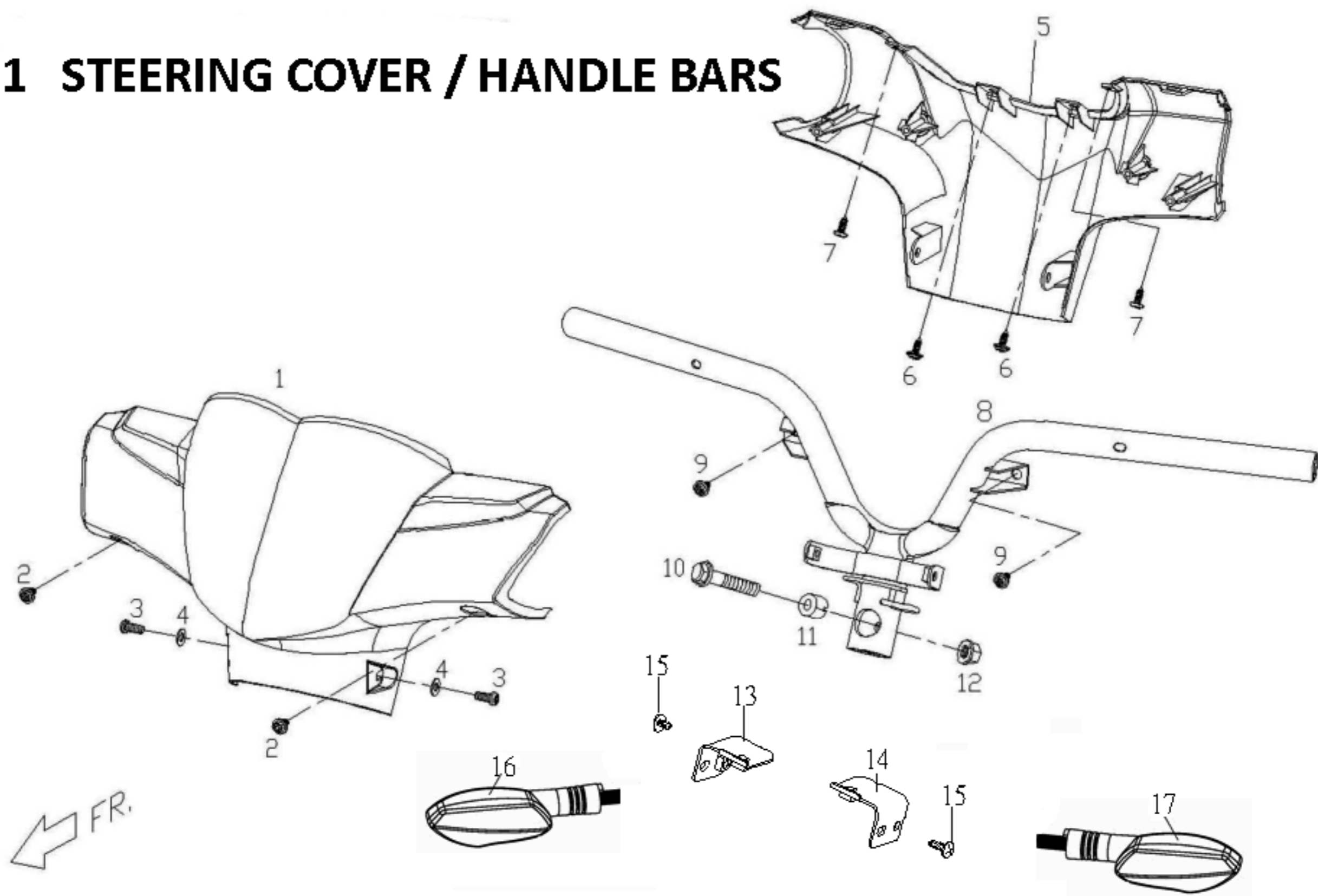
E14 OIL COOLER / LEFT HAND COVER



E14 OIL COOLER / LEFT HAND SIDE COVER

NO.	PART NO.	QTY	PART NAME
1	BF0830000000	1	OIL COOLER ASSY
2	90190602002	2	HEXAGON FLANGE BOLT (M6*20L)
3	BF0830710000	1	OIL COOLER PIPE (2)
4	BF0830600000	1	OIL COOLER PIPE (1)
5	C5083070000	4	JOINT BOLT,OIL HOSE
6	92141200006	8	WASHER

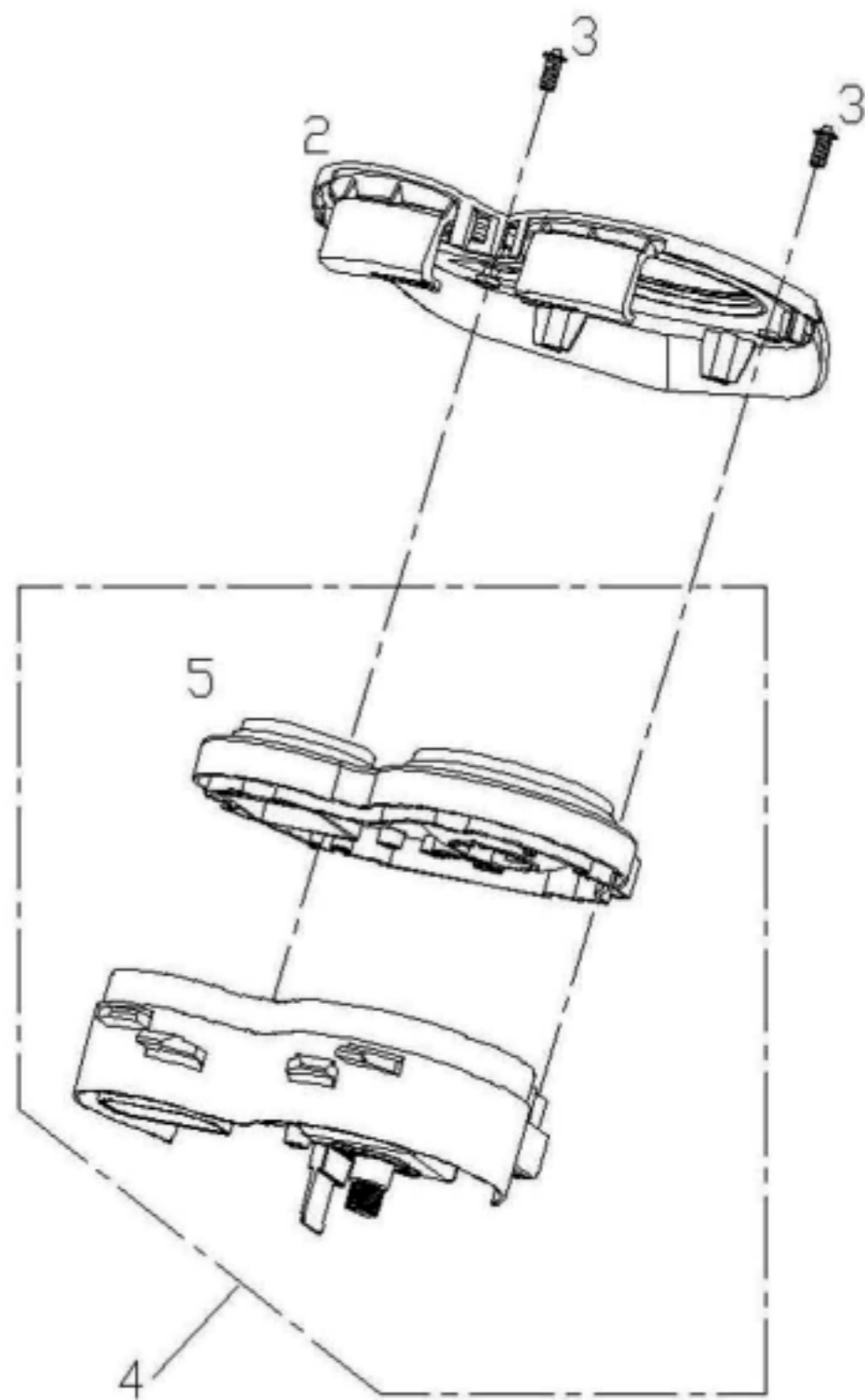
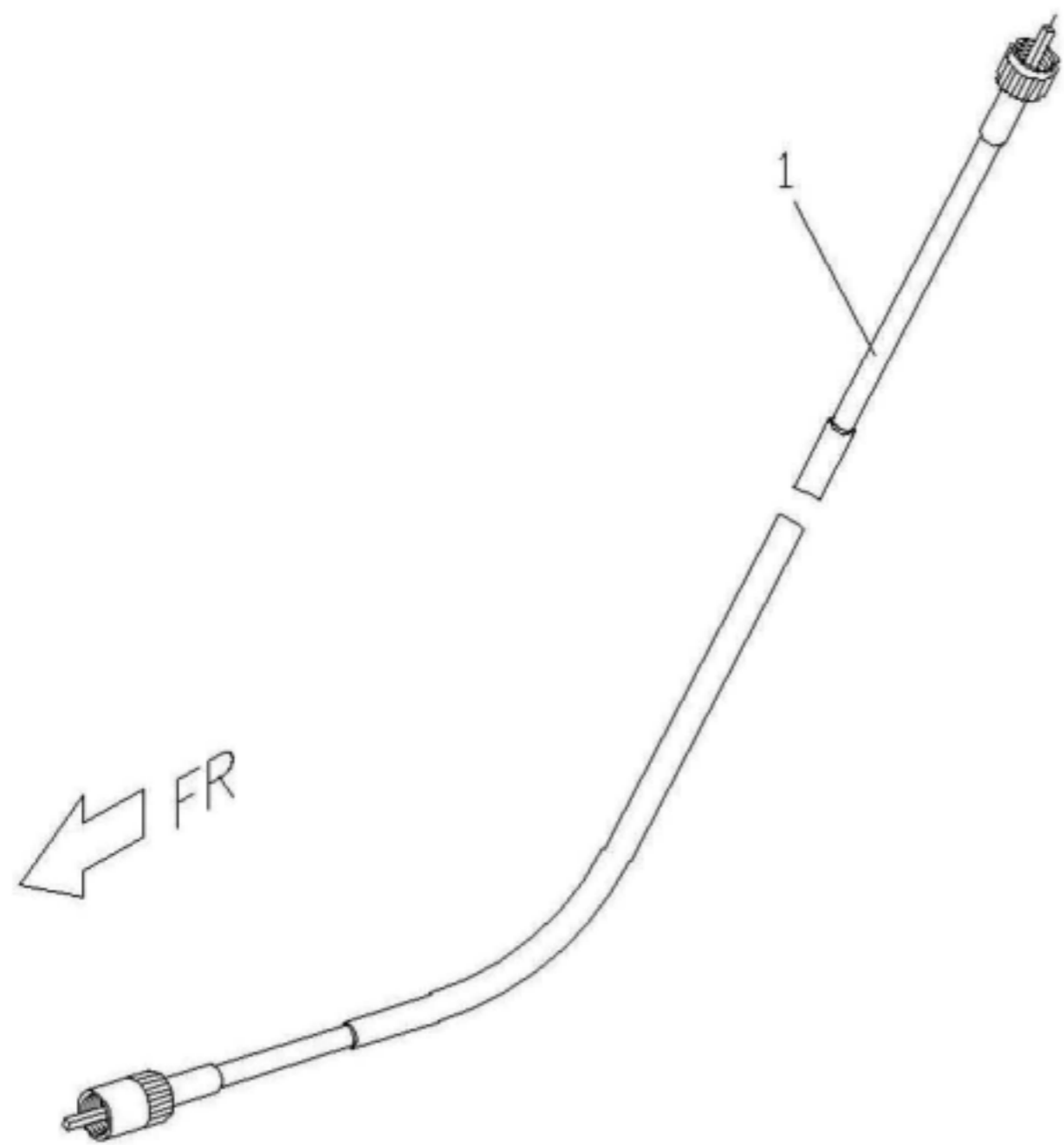
F1 STEERING COVER / HANDLE BARS



F1 STEERING COVER / HANDLEBARS

NO.	PART NO.	QTY	PART NAME
1	BF6130013100	1	HANDLE COVER UPPER, MATTE GREEN
1	BF6130016800	1	HANDLE COVER UPPER, MATTE BLACK
2	90130501401	2	C-R RECESS PAN HD. TAPPING
2	BF7062400000	2	C-R RECESS PAN HD.TAPPING
3	90040601600	2	CR PAN HD MACHINE SCREW(M6*16L
4	92140600018	2	WASHER
5	BF6140016500	1	HANDLE COVER,LOWER
6	90130501401	2	C-R RECESS PAN HD. TAPPING
7	90110401200	2	CR PAN HD TAPPING SC
8	BF6120026000	1	HANDLE BAR ASSY.
9	90130501401	2	C-R RECESS PAN HD. TAPPING
10	90191005002	1	HEXAGON FLANGE BOLT (M10*1.25P*50L)
11	C1612011000	1	SCREW WASHER
12	92061000005	1	HEXAGON FLANGE NUT
13	BF7061300000	1	RH FR FIXED PLATE, TURN SIGNAL LAMP
14	BF7063900000	1	LH FR FIXED PLATE, TURN SIGNAL LAMP
15	90040501400	2	SCREW
16	BF66C0110001	1	LH FR TURN SIGNAL
17	BF66D0110001	1	RH FR TURN SIGNAL

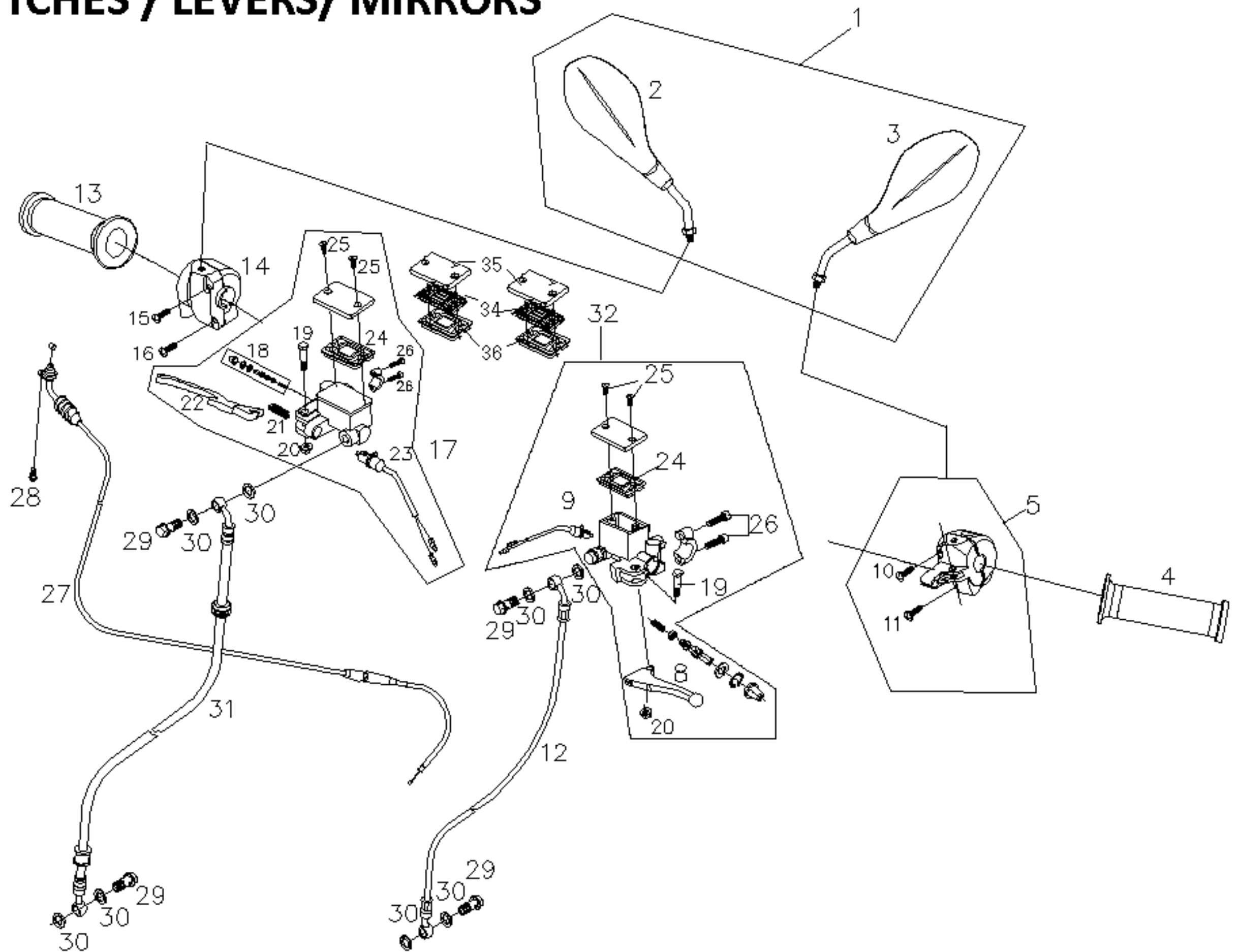
F2 SPEEDOMETER



F2 SPEEDOMETER

NO.	PART NO.	QTY	PART NAME
1	BF5440010000	1	SPEEDOMETER CABLE ASSY
2	BF6140106800	1	SPEEDOMETER COVER, MATTE BLACK
3	90270501200	2	INNER HEX ROUND HD. MACHINE SCREW
4	BF5610030003	1	SPEEDOMETER ASSY.
5	BF56A0100000	1	SPEEDOMETER TOP COVER

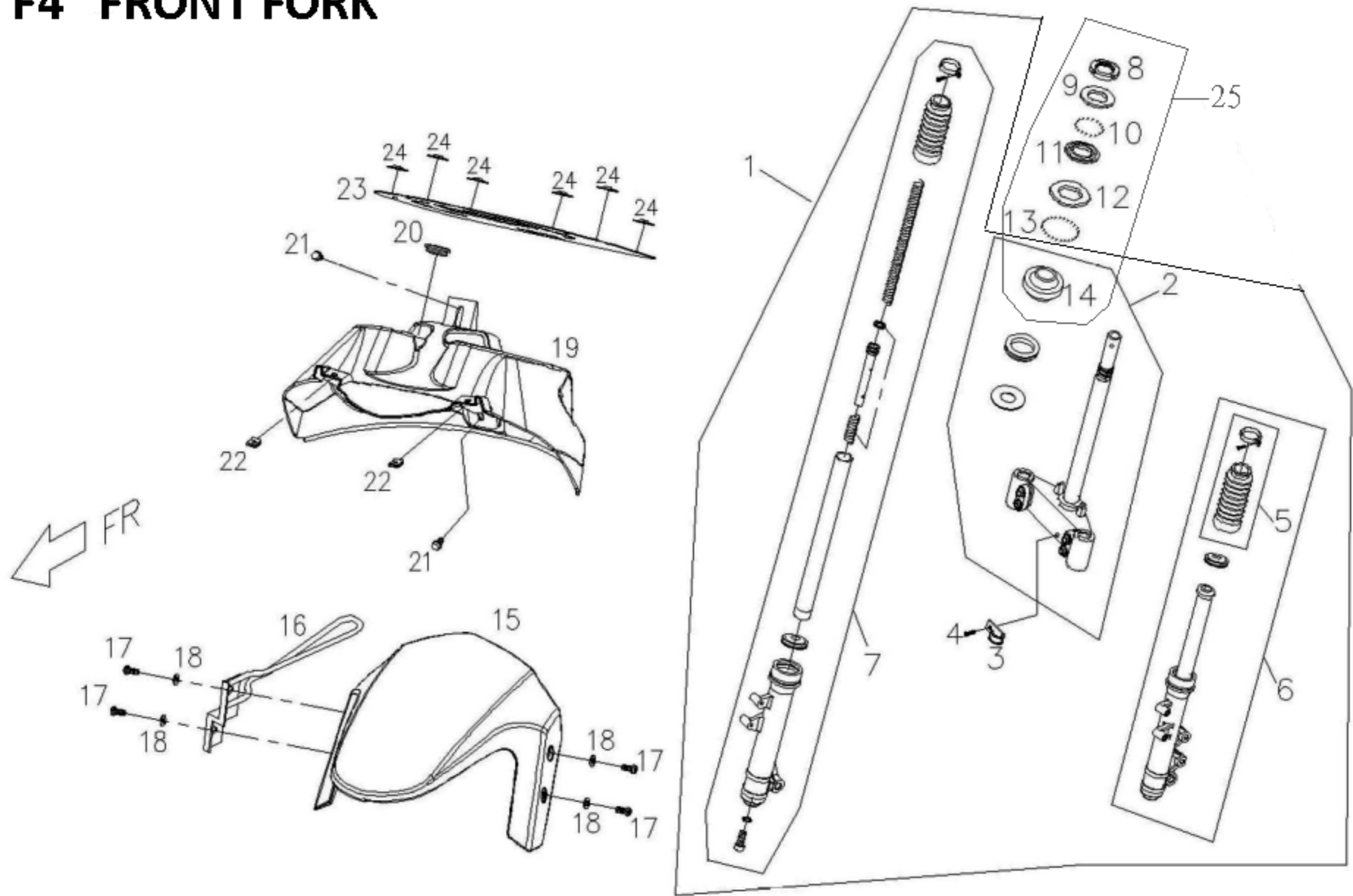
F3 SWITCHES / LEVERS/ MIRRORS



F3 SWITCHES / LEVERS / MIRRORS

NO.	PART NO.	QTY	PART NAME
1	BF6160000002	1	BACK MIRROR
2	BF61F0200000	1	BACK MIRROR RH
3	BF61F0100000	1	BACK MIRROR LH
4	C25410000001	1	GRIP ,LH
5	M25460010000	1	LH HAFT SWITCH ASSY
6	90190804003	1	HEXAGON FLANGE BOLT (M8*40L)
7	92061200001	1	LOCK NUT
8	BF5433000002	1	SHAFT
9	M25480300000	1	STOP SWITCH
10	P154F390000	1	SCREW,PAN HEAD
11	P154F400000	1	SCREW,PAN HEAD
12	BF4037000003	1	REAR BRAKE FLUID HOSE COMP
13	C25420000001	1	GRIP ASSY ,RH
14	P65480000000	1	RH HAFT SWITCH ASSY
15	P154F390000	1	SCREW,PAN HEAD
16	P154F400000	1	SCREW,PAN HEAD
17	P54030020005	1	FRT BRAKE MASTER CYLINDER
18	P540C9920000	1	MASTER CYLINDER SERVICE PACKAGE
19	P140C220000	1	BOLT
20	P140C230000	1	FLANGE NUT
21	P140C210000	1	RECOVER SPRING
22	P140C191000	1	SHAFT
23	M25480300000	1	STOP LIGHT SWITCH
24	P140C090000	1	GASKET
25	P140C130000	2	SCREW
26	P140C250000	2	INNER BOLT
27	BF5446020000	1	CABLE ASSY,THROT
28	90050501200	1	CR ROUND HD MACHINE SCREW (M5*
29	P14038110000	4	JOINT BOLT,BRAKE HOSE
30	92141000018	8	PLAIN WASHER
31	BF4036020000	1	FR,BRAKE FLUID HOSE COMP
32	BF4063000005	1	REAR BRAKE MASTER CYLINDER
34	M240C1400000	1	MEMBRANE PLANK
35	M240C1300000	1	CAP,RESERVOIR
36	M240C1500000	1	DIAPHRAGM

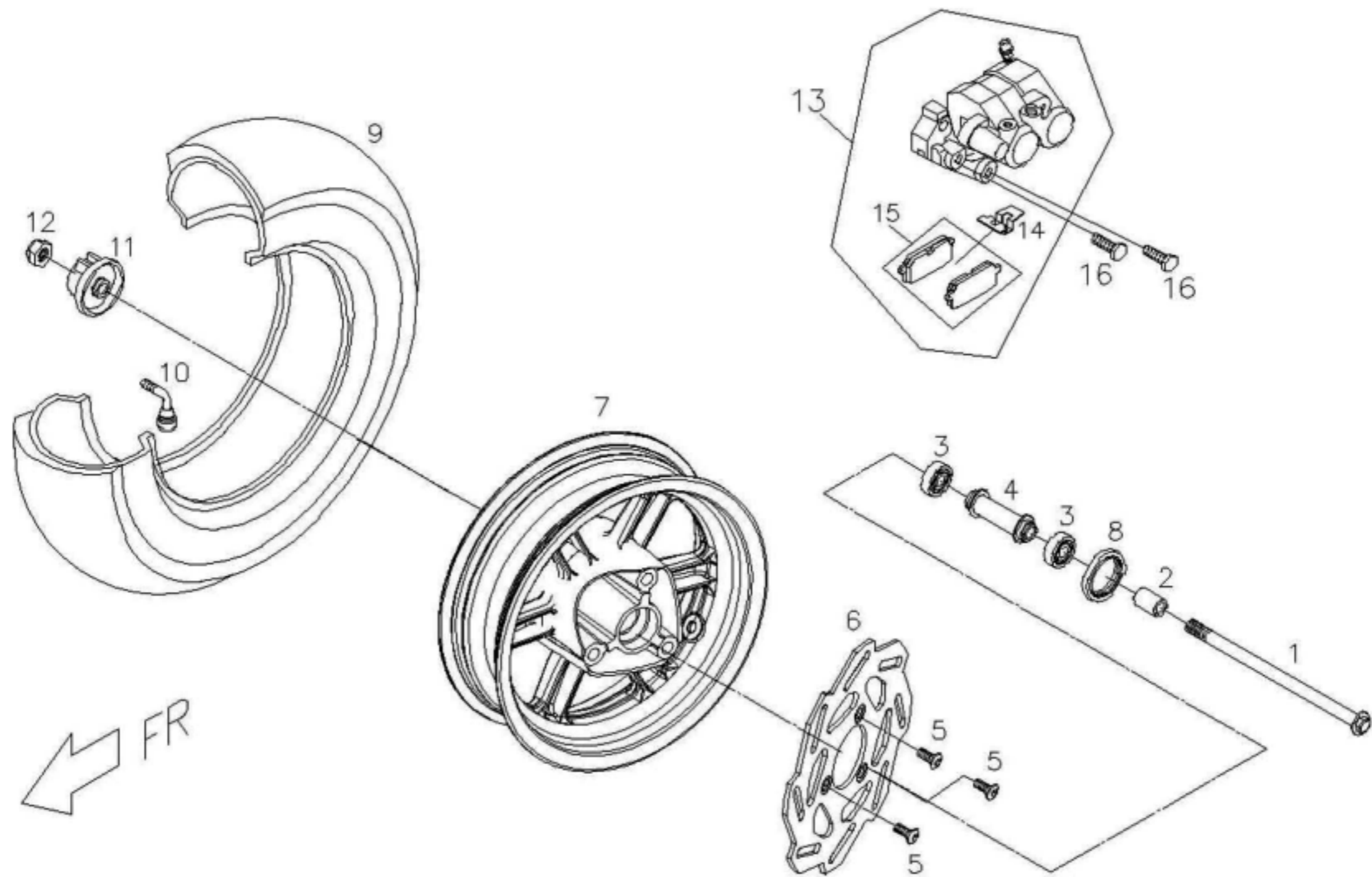
F4 FRONT FORK



F4 FRONT FORK

NO.	PART NO.	QTY	PART NAME
1	BF4430036D00	1	FRONT FORK ASSY, BLACK
2	BF44C2000000	1	UNDER BRACKET ASSY.
3	BF4036100002	1	CLAMP, BRAKE HOSE
4	90190601502	1	HEXAGON FLANGE BOLT(M6*15L)
5	C144C040000	2	BOOT
6	BF44C2106D00	1	OUTER TUBE ASSY. L
7	BF44C2206D00	1	OUTER TUBE ASSY. R
8	E14440410000	1	STEERING SHAFT LOCK NUT
9	E1444050000	1	UPPER RING-SHAPE NUT
10	96630340400	1	BALL BEARING CAGE(5/32")
11	C1443020000	1	UPPER BEARING CAGE
12	C1443011000	1	LOWER BEARING CAGE
13	96630380600	1	BALL BEARING CAGE(1/4")
14	C144C150000	1	INNER BEARING CAGE
15	BF6320013100	1	FRONT FENDER, MATTE GREEN
15	BF6320016800	1	FRONT FENDER, MATTE BLACK
16	C1544040000	1	SPEEDMETER CABLE CLIP COMP (R)
17	90040601600	4	CR PAN HD MACHINE SCREW(M6*16L)
18	92140600018	4	WASHER
19	BF6330006500	1	FR FENDER INNER
20	C1042030000	1	RUBBER PLUG
21	90190601502	2	HEXAGON FLANGE BOLT(M6*15L)
22	92370500003	2	U TYPE SPRING NUT
23	BF7010210000	1	CUSHION (A)
24	BF7062900000	6	FIXED PLATE
25	BF43S0000000	1	STEERING BEARING ASSY

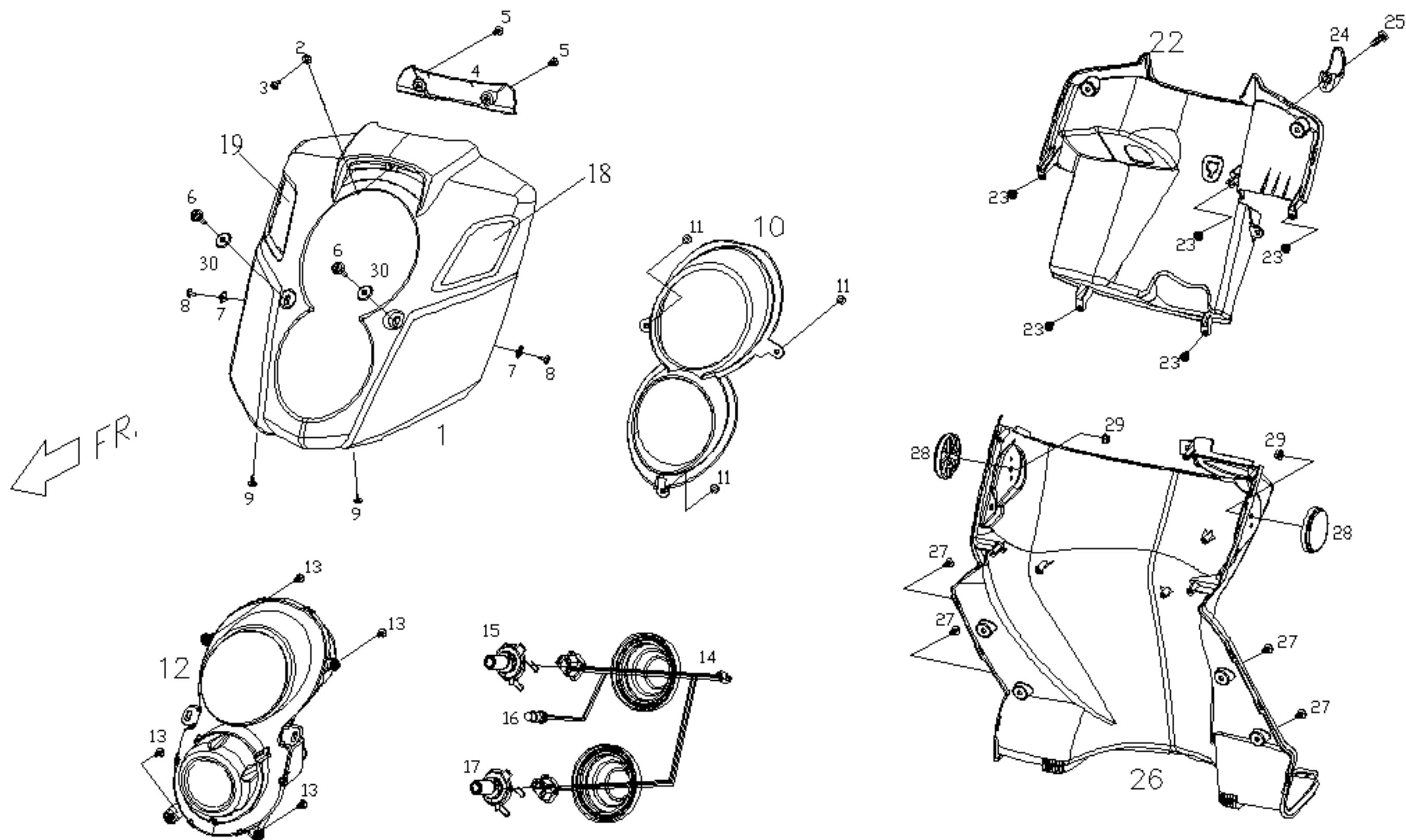
F5 FRONT WHEEL/ DISK BRAKE



F5 FRONT WHEEL / DISC BRAKE

NO.	PART NO.	QTY	PART NAME
1	C14025010000	1	AXLE , FR WHEEL
2	P1401010000	1	SPACER
3	96520620100	2	ONE-SHIELD BALL BEARING
4	P8402400000	1	SPACER
5	C1403510000	3	SCREW, FR BRAKE DISK(M8*1.25P*24L)
6	M24035000002	1	BRAKE DISC,FR
7	BF4011016D00	1	WHEEL RIM COMP,FR BLACK
8	95572235700	1	OIL SEAL, TC TYPE
9	C540B320000	1	TIRE (120/70-12)
10	P140B330000	1	VALVE
11	P15660050000	1	METER GEAR ASSY
12	92061200001	1	LOCK NUT
13	P24033001N0N	1	FRT BRAKE CLIPPER
14	C140C330000	1	YOKE SPRING
15	C240C2300000	1	BRAKES-THIN COMP
16	90190804002	2	HEXANGON FLANGE BOLT

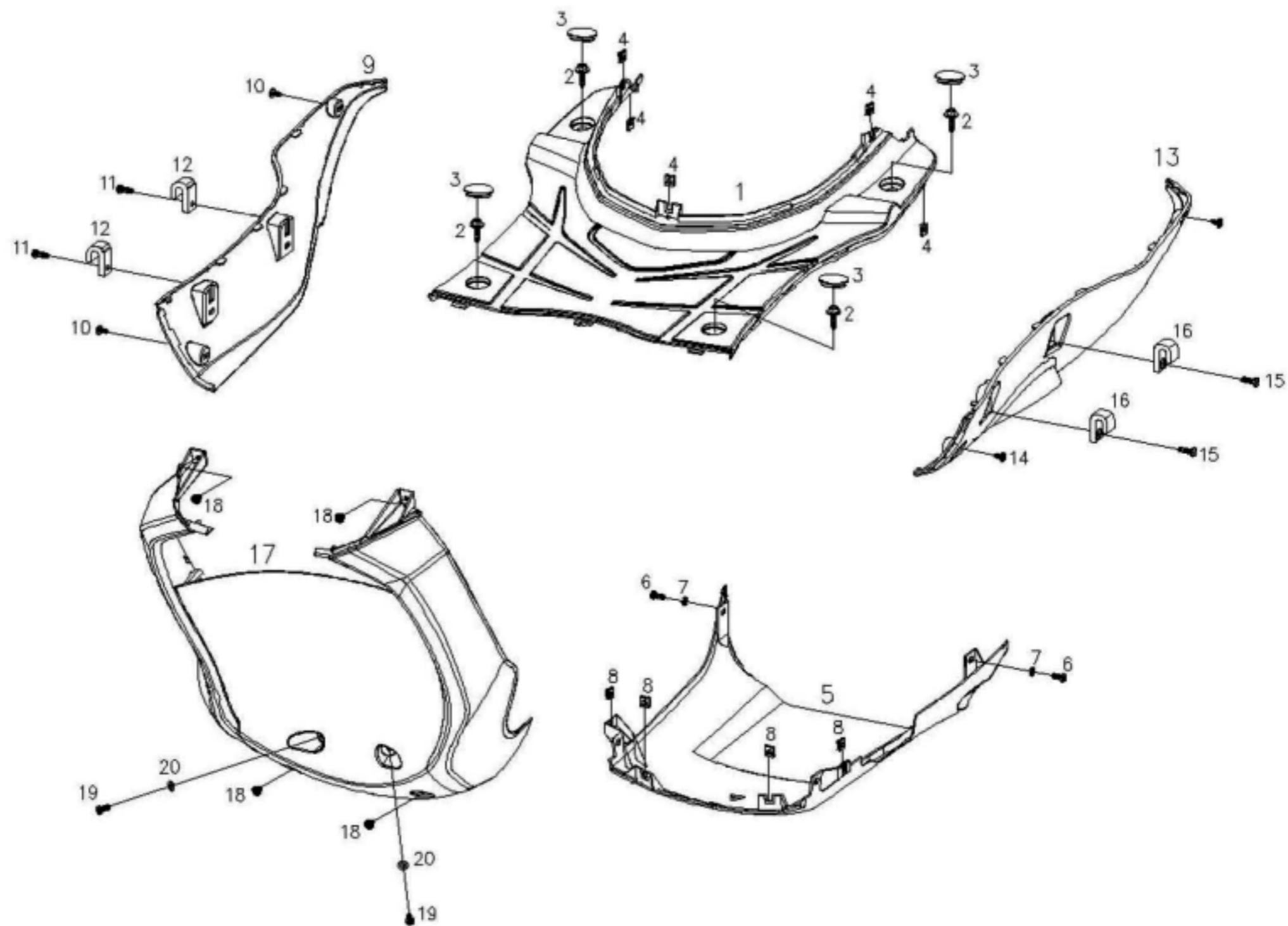
F6 HEADLAMP / WINDSHIELD



F6 HEADLAMP / WINDSHIELD

NO.	PART NO.	QTY	PART NAME
1	BF621000310N	1	WIND SHIELD, MATTE GREEN
1	BF621000680N	1	WIND SHIELD, MATTE BLACK
2	92140600018	1	WASHER
3	90040601600	1	CR PAN HD MACHINE SCREW(M6*16L
4	BF623020000N	1	WINDSHIELD INNER COVER
6	C1403510000	1	RD HD MACH W/WASHER ASSY
7	92370500003	1	U TYPE SPRING NUT
8	90130501401	1	C-R RECESS PAN HD. TAPPING
8	BF7062400000	1	C-R RECESS PAN HD.TAPPING
9	90130502500	1	C-R RECESS PAN HD. TAPPING
10	BF621010680N	1	BEZEL, HOOLIGAN BLACK
11	90130501401	3	C-R RECESS PAN HD. TAPPING
11	BF7062400000	3	C-R RECESS PAN HD.TAPPING
12	BF661002000A	1	HEAD LIGHT COMP, BLACK
14	BF66A010000N	1	WIRE COMP
15	98151235351	1	HEADLAMP BULB (35/35W)ECE, EURO
16	98231205000	1	SAMLL BULB
17	98161255001	1	HEADLAMP BULB (12V-55W)H1
18	BF7011706800	1	TURN SIGNAL FR ASSY,INNER COVER(LH), MATTE BLACK
18	BF7011703100	1	TURN SIGNAL FR ASSY,INNER COVER(LH), MATTE GREEN
19	BF70A1703100	1	TURN SIGNAL FR ASSY,INNER COVER(RH), MATTE GREEN
19	BF70A1706800	1	TURN SIGNAL FR ASSY,INNER COVER(RH), MATTE BLACK
22	BF6230006500	1	FRONT INNER COVER,UPPER
23	90130501401	4	C-R RECESS PAN HD. TAPPING
23	BF7062400000	4	C-R RECESS PAN HD.TAPPING
24	BF7010100001	1	FRONT HOOK BLACK
25	92040600000	2	HEXAGON FLANGE NUT (M6*1.0P)
26	BF6230116500	1	FRONT INNER COVER,LOWER
28	C16690010001	2	SIDE REFLECTOR
29	92040600000	1	HEXAGON FLANGE NUT (M6*1.0P)
30	92140600029	1	PLAIN WASHER

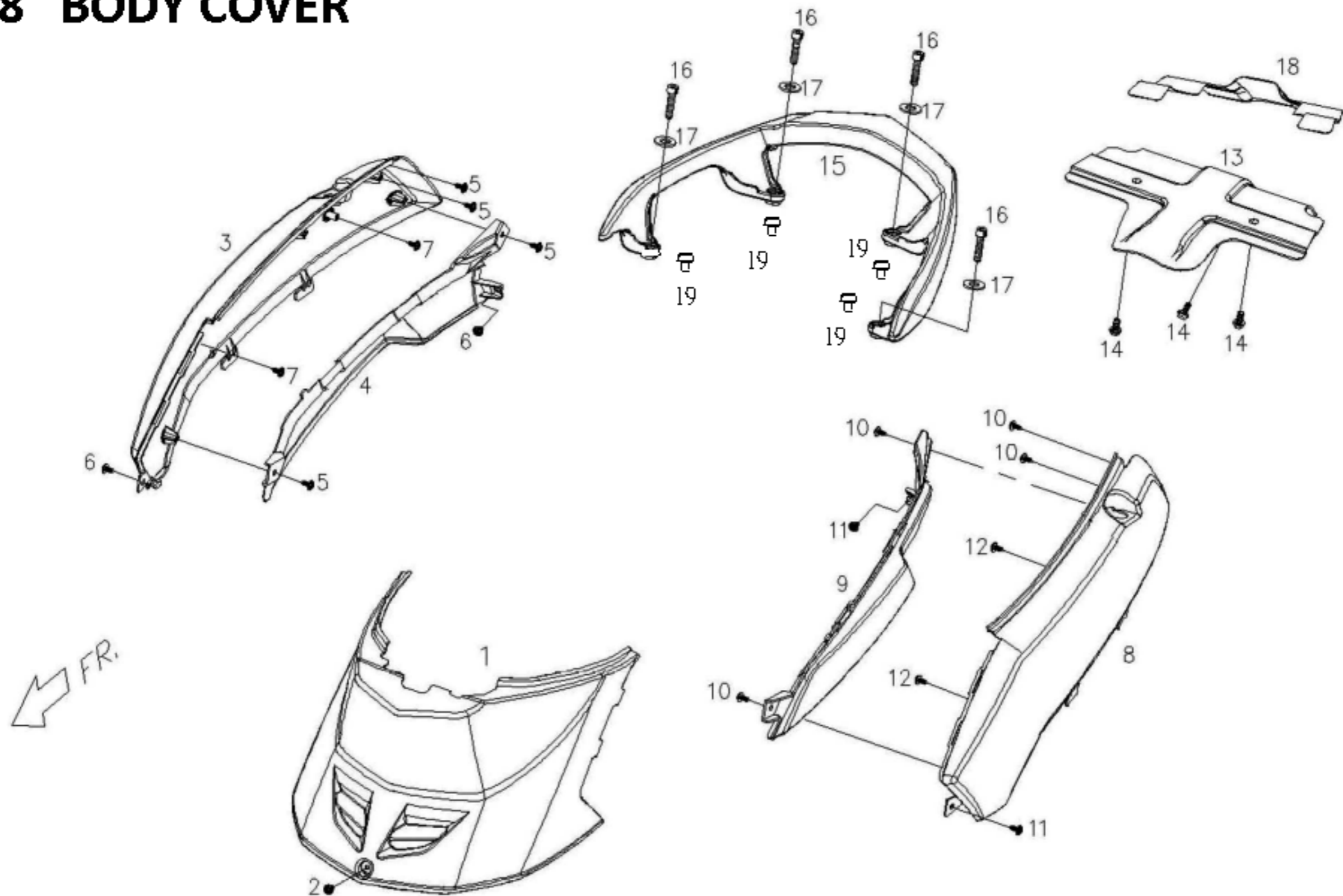
F7 STEP FLOOR



F7 STEP FLOOR

NO.	PART NO.	QTY	PART NAME
1	BF6240006500	1	STEP FLOOR
2	90200602500	4	SCREW WITH WASHER
3	BF7060700000	4	RUBBER PLUG
4	92370500003	5	U TYPE SPRING NUT
5	BF6260126500	1	LOWER FUEL TANK COVER
6	90040601403	2	C-R PAN HD. MACHINE SCREW
7	92140600005	2	WASHER (6.4D*13D*1T)
7	92140600018	2	WASHER
8	92370500003	4	U TYPE SPRING NUT
9	BF6260316500	1	STEPFLOOR LOWER COVER (RH)
10	90130501401	2	C-R RECESS PAN HD. TAPPING
11	90040601601	2	CR PAN HD MACHINE SCREW(M6*16L
12	P57012216500	2	HOOK, FR RACK
13	BF6260216500	1	STEPFLOOR LOWER COVER (LH)
14	90130501401	2	C-R RECESS PAN HD. TAPPING
15	90040601601	2	CR PAN HD MACHINE SCREW(M6*16L
16	P57012216500	2	HOOK, FR RACK
17	BF6260026501	1	COOLING COVER
18	90130501401	4	C-R RECESS PAN HD. TAPPING
19	90040601403	2	C-R PAN HD. MACHINE SCREW
20	92140600005	2	WASHER (6.4D*13D*1T)
20	92140600018	2	WASHER

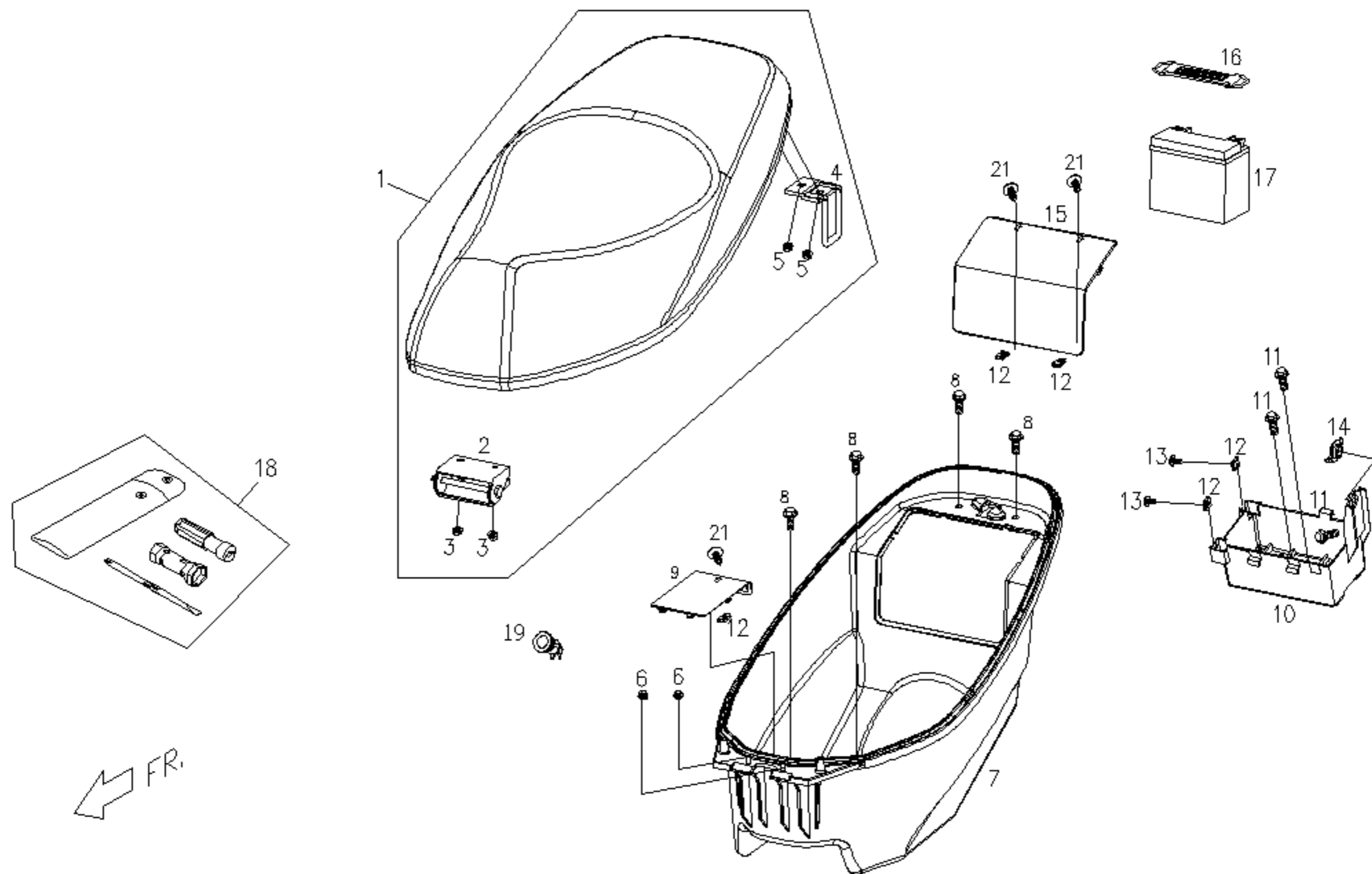
F8 BODY COVER



F8 BODY COVER

NO.	PART NO.	QTY	PART NAME
1	BF6250006500	1	BODY COVER,FRONT
2	90130501401	1	C-R RECESS PAN HD. TAPPING
2	BF7062400000	1	C-R RECESS PAN HD.TAPPING
3	BF6255003100	1	RH BODY COVER, MATTE GREEN
3	BF6255006800	1	RH BODY COVER, MATTE BLACK
4	BF6265006500	1	RH LOWER BODY COVER
5	90130501401	4	C-R RECESS PAN HD. TAPPING
6	90130501401	2	C-R RECESS PAN HD. TAPPING
7	90130501401	2	C-R RECESS PAN HD. TAPPING
7	BF7062400000	2	C-R RECESS PAN HD.TAPPING
8	BF6253003100	1	LH BODY COVER, MATTE GREEN
8	BF6253006800	1	LH BODY COVER, MATTE BLACK
9	BF6263006500	1	LH LOWER BODY COVER
10	90130501401	4	C-R RECESS PAN HD. TAPPING
10	BF7062400000	4	C-R RECESS PAN HD.TAPPING
11	90130501401	2	C-R RECESS PAN HD. TAPPING
11	BF7062400000	2	C-R RECESS PAN HD.TAPPING
12	90130501401	2	C-R RECESS PAN HD. TAPPING
12	BF7062400000	2	C-R RECESS PAN HD.TAPPING
13	BF6250206500	1	RR UPPER FENDER EXTENSION
14	90190601502	3	HEXAGON FLANGE BOLT(M6*15L)
15	BF6760016800	1	REAR LUGGAGE BRACKET BLACK
16	90190802600	4	HEXAGON FLANGE BOLT (M8*26L)
17	92140800013	4	PLANE WASHER
18	BF7010300000	1	CUSHION (B)
19	BF7062500000	4	BOX-SPANNER

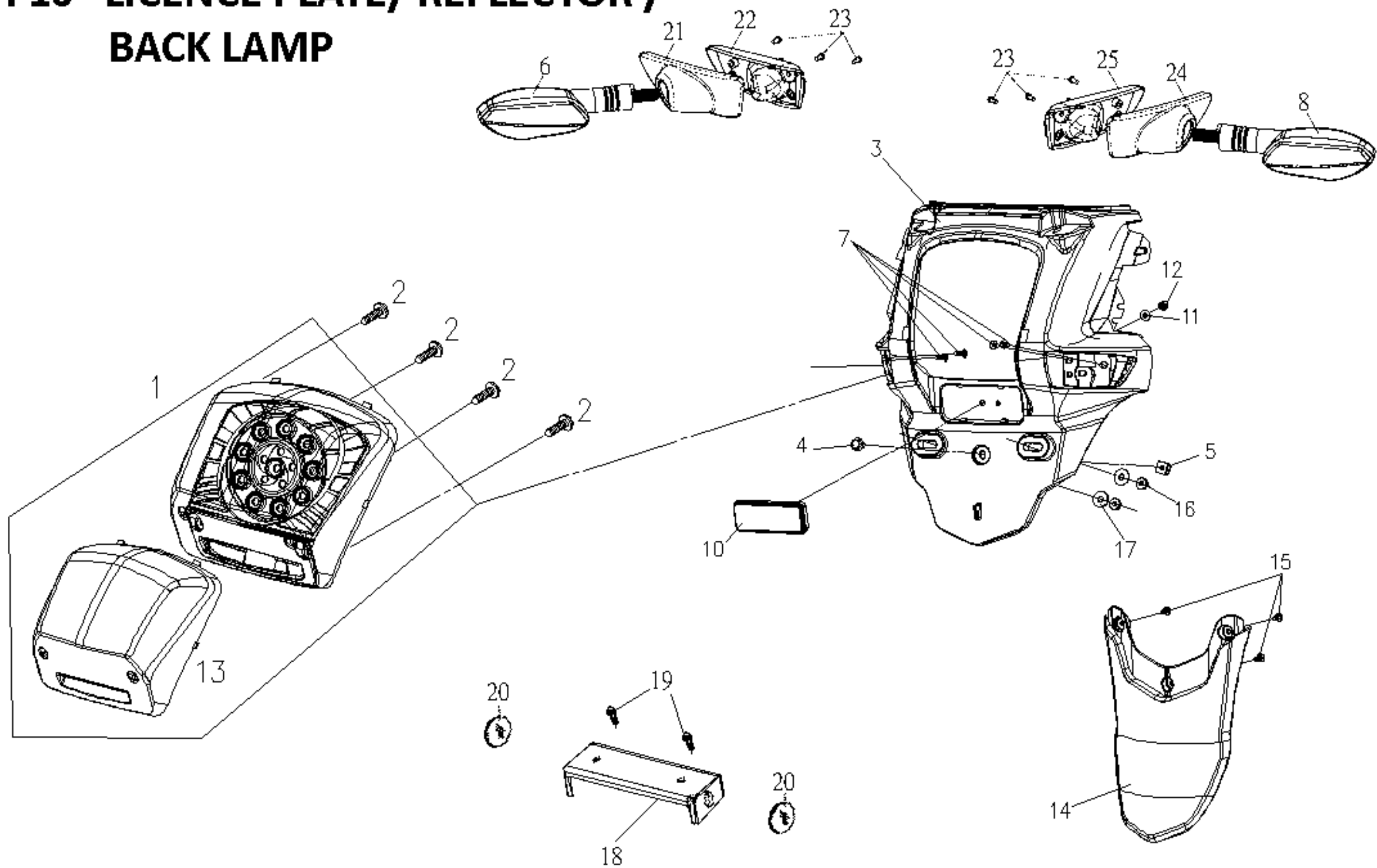
F9 SEAT/ LUGGAGE (UNDER SEAT)



F9 SEAT / LUGGAGE / UNDER SEAT

NO.	PART NO.	QTY	PART NAME
1	BF671002000K	1	SEAT COMP
2	BF67A1000000	1	BRACKET
3	92040600000	2	HEXAGON FLANGE NUT (M6*1.0P)
4	S920613032	1	SEAT HATCH
5	92040600000	1	HEXAGON FLANGE NUT (M6*1.0P)
6	90130501401	1	C-R RECESS PAN HD. TAPPING
7	BF6810020000	1	LUGGAGE COMP
8	90190601207	4	HEXAGON FLANGE BOLT(M6*1.0P*12L)
9	BF6810126500	1	BOTTOM COVER,RACK
10	BF6810316500	1	BATTERY BOX
11	90190601207	2	HEXAGON FLANGE BOLT(M6*1.0P*12L)
12	92370500003	2	U TYPE SPRING NUT
13	90130501401	1	C-R RECESS PAN HD. TAPPING
13	BF7062400000	1	C-R RECESS PAN HD.TAPPING
14	ES6810510000	1	RUBBER PLUG
15	BF6810236500	1	BATTERY COVER
16	E1583020000	1	BATTERY CLIP
17	C15830030000	1	BATTERY ASSY
19	AF5830410000	1	SWITCH

F10 LICENCE PLATE/ REFLECTOR / BACK LAMP



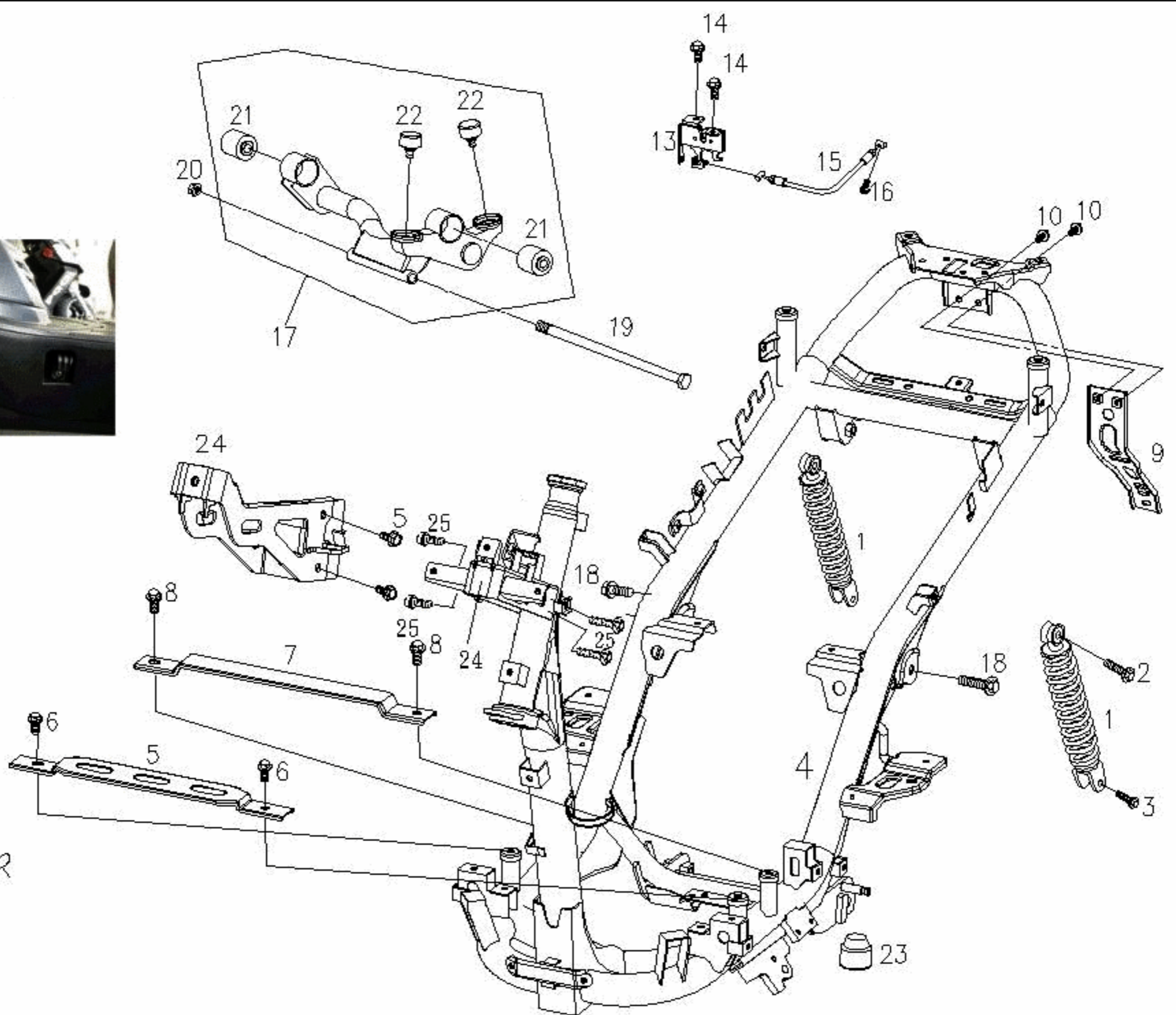
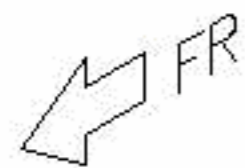
F10 LICENCE PLATE / REFLECTOR / BACK LAMP

NO.	PART NO.	QTY	PART NAME
1	BF6660030000	1	LAMP ASSY,REAR
2	90130501401	4	C-R RECESS PAN HD. TAPPING
2	BF7062400000	4	C-R RECESS PAN HD.TAPPING
3	BF6360026500	1	LICENSE PLATE BLACK
4	90190601502	1	HEXAGON FLANGE BOLT(M6*15L)
5	P6706020000	1	MOVING NUT
6	BF6670020001	1	LH RR TURN SIGNAL ASSY
7	90130501401	3	C-R RECESS PAN HD. TAPPING
7	BF7062400000	3	C-R RECESS PAN HD.TAPPING
8	BF6680020001	1	RH RR TURN SIGNAL ASSY
9	90130501401	3	C-R RECESS PAN HD. TAPPING
10	BF669010000N	1	REFLECTOR DOT
11	92140500014	1	PLAIN WASHER
12	92020500000	1	HEXAGON NUT (M5*0.8P)
13	BF66F0100000	1	LAMP COVER
14	BF6360106500	1	LICENSE PLATE EXTENSION
15	90110401200	3	CR PAN HD TAPPING SC
16	92040600000	2	HEXAGON FLANGE NUT (M6*1.0P)
17	92140600018	2	PLAIN WASHER
18	BF6360306000	1	HOLDER,REFLECTOR
19	90040501400	2	C-R PAN HD. MACHINE SCREW
20	C16690010001	2	SIDE REFLECTOR
21	BF66G0200001	1	BEZEL MOUNT FT LEFT REAR
22	BF66G0300001	1	BEZEL MOUNT BACK LEFT REAR
23	BF66G0400001	6	SCREWS
24	BF66H0200001	1	BEZEL MOUNT FT RIGHT REAR
25	BF66H0300001	1	BEZEL MOUNT BACK RIGHT REAR

F11 FRAME



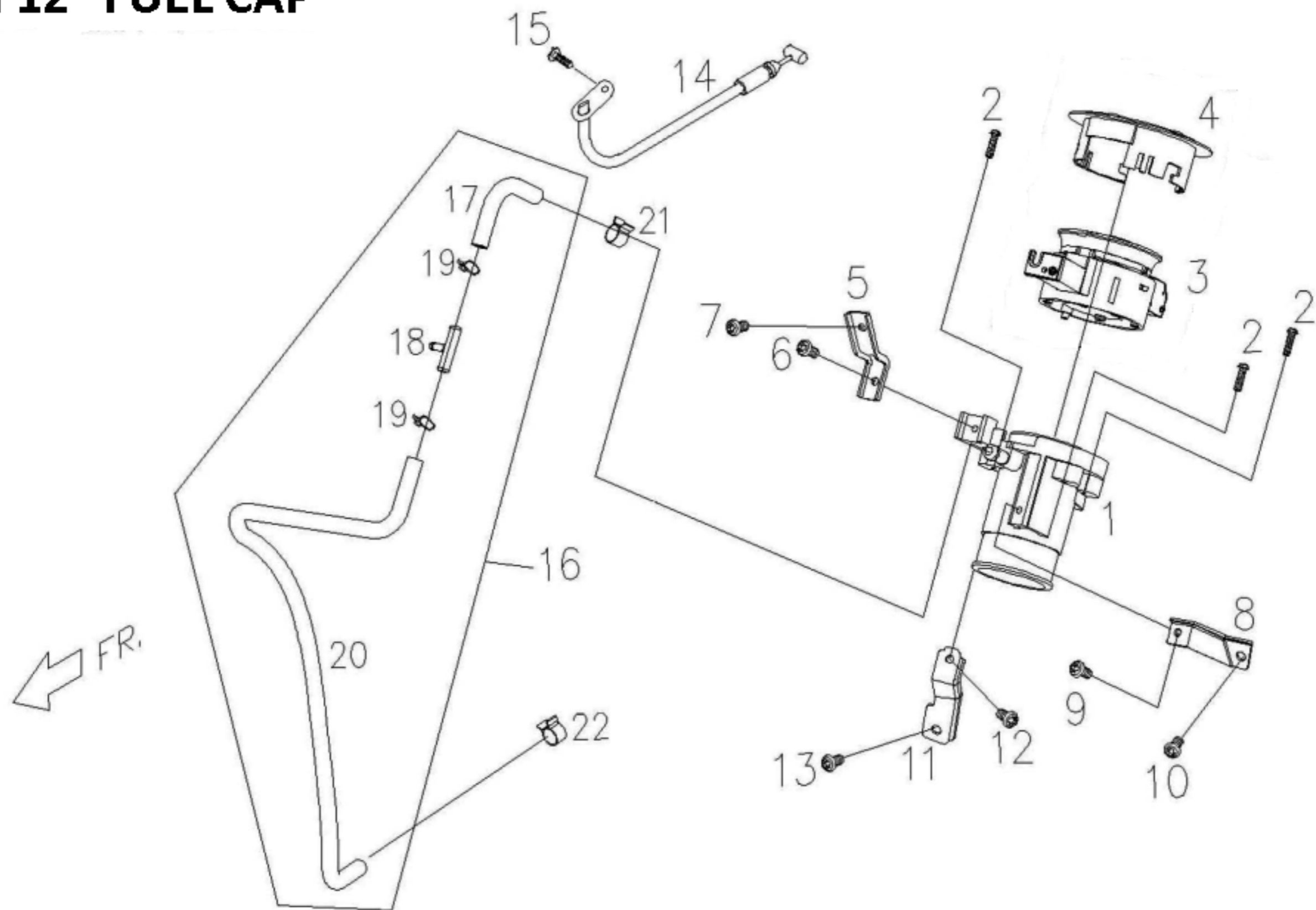
26 27



F11 FRAME / REAR SUSPENSION

NO.	PART NO.	QTY	PART NAME
1	BF4810010007	2	REAR SUSPENSION
2	90191004003	2	HEXAGON FLANGE BOLT (M10*1.25P*40L)
3	90190803201	2	HEXAGON FLANGE BOLT(
4	BF4210026003	1	FRAME ASSY
5	BF7060506000	1	SUPPORT HOLDER, STEPFOOR
6	90190801202	2	HEXAGON FLANGE BOLT (M8*12L)
7	BF7061226000	1	REINFORCED PLATE, STEPFOOR
8	90190801202	2	HEXAGON FLANGE BOLT (M8*12L)
9	BF7060406000	1	LICENCE PLATE LINK PLATE
10	90190601502	2	HEXAGON FLANGE BOLT(M6*15L)
13	BF6713010000	1	SEATLOCK COMP.
14	90190601502	2	HEXAGON FLANGE BOLT(M6*15L)
15	BF6711210000	1	SEAT LOCK LEVER CABLE
16	90050501200	1	CR ROUND HD MACHINE SCREW (M5*
17	BF486000000N	1	ENGINE HANGER COMP
18	90191005500	2	HEXAGON FLANGE BOLT (M10*55L)
19	90191018000	1	HEXANGON FLANGE BOLT
20	92061000005	1	HEXAGON FLANGE NUT
21	C1486010000	2	PACKING, CUSHION
22	C1486050000	2	RUBBER DAMPING
23	X37010200000	1	RUBBER CUSHION SPIRAL
24	BF706011600N	1	WINDSHIELD,BRACKET ASSY
25	90190601502	4	HEXAGON FLANGE BOLT(M6*15L)
26	BF4630000000	1	BACKSEAT PEDAL LEVER COMP (L)
27	BF4640000000	1	BACKSEAT PEDAL LEVER COMP (R)

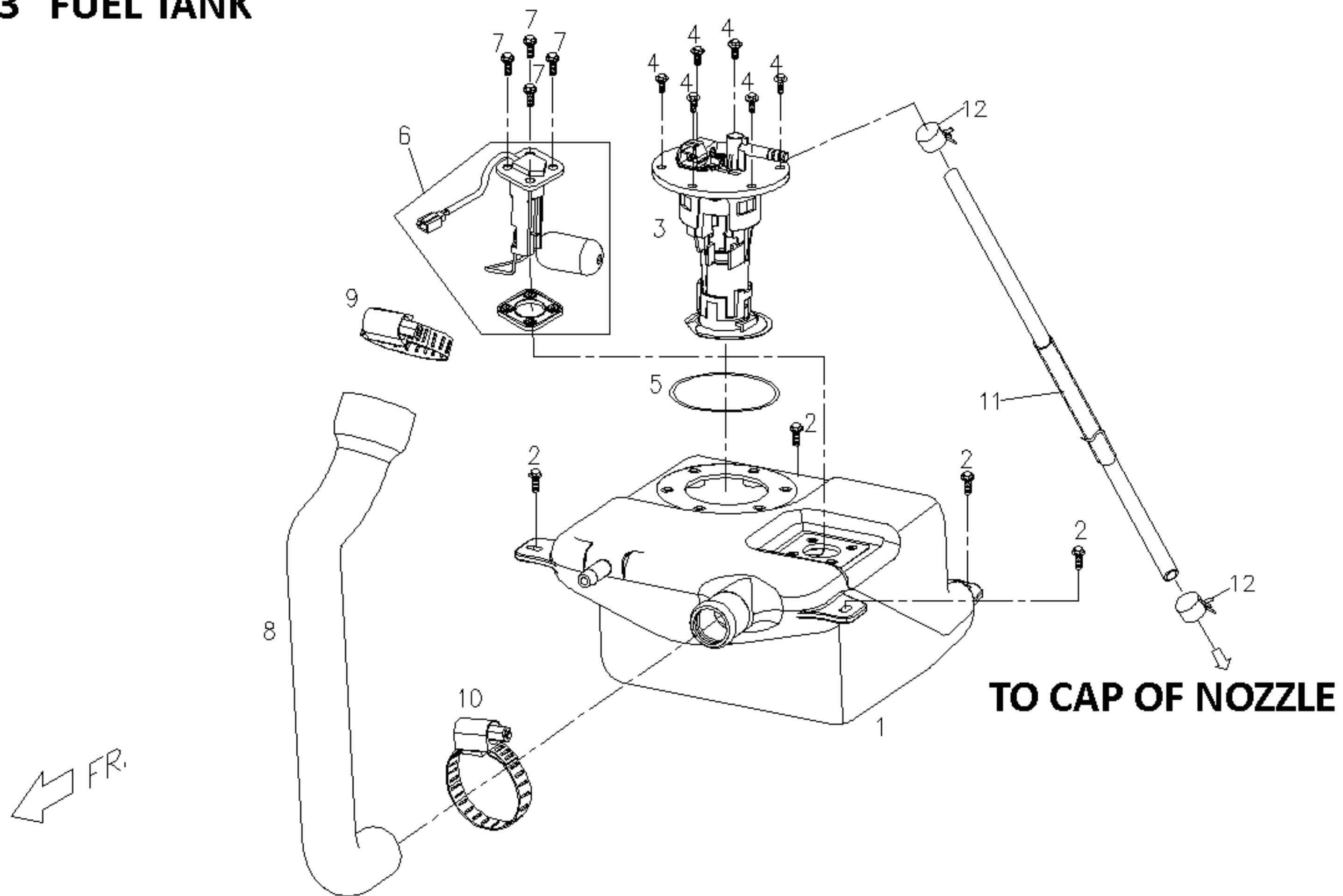
F12 FUEL CAP



F12 FUEL CAP

NO.	PART NO.	QTY	PART NAME
1	BF5213210000	1	GAS CAP BASE
2	90050401600	3	CR ROUND HD MACHINE SCREW(M4*1
3	BF5213026D00	1	FUEL TANK COVER
4	BF5213306800	1	TANK ,INNER COVER
5	BF7060100000	1	FIEXD PLATE ,GAS CAP(A)
6	90050400800	1	CR ROUND HD MACHINE SCREW
7	90130501401	1	C-R RECESS PAN HD. TAPPING
7	BF7062400000	1	C-R RECESS PAN HD.TAPPING
8	BF7060600000	1	FIEXD PLATE ,GAS CAP(C)
9	90110401200	1	CR PAN HD TAPPING SC
10	90130501401	1	C-R RECESS PAN HD. TAPPING
10	BF7062400000	1	C-R RECESS PAN HD.TAPPING
11	BF7060200000	1	FIEXD PLATE ,GAS CAP(B)
12	90050400800	1	CR ROUND HD MACHINE SCREW
13	90130501401	1	C-R RECESS PAN HD. TAPPING
13	BF7062400000	1	C-R RECESS PAN HD.TAPPING
14	BF5213100000	1	TANK COVER LEVER CABLE
15	90050501200	1	CR ROUND HD MACHINE SCREW (M5*
16	BF5213510000	1	THREE WAY ASSY
17	BF5260100001	1	OIL PIPE(A)
18	BF5213400000	1	THREE WAY
19	92201200000	2	HOSE CLAMP
20	BF521350000A	1	OIL PIPE(B)
21	92211200001	1	HOSE CLAMP
22	92221500000	1	HOSE CLAMP

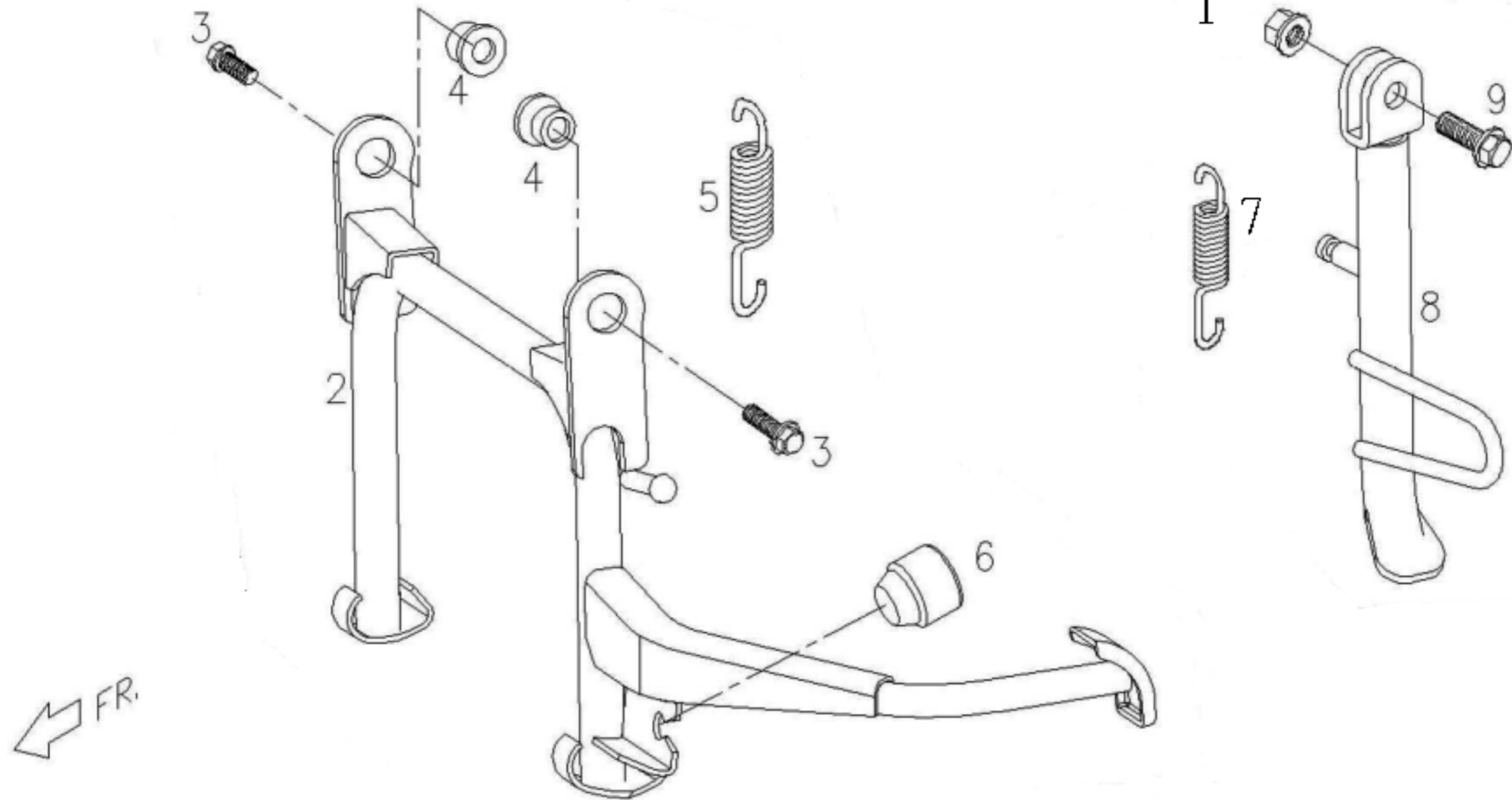
F13 FUEL TANK



F13 FUEL TANK

NO.	PART NO.	QTY	PART NAME
1	BF5215000002	1	TANK COMP.FUEL
2	90200602001	4	BOLT WITH WASHER
3	BF5218000000	1	FUEL PUMP COMP
4	90200501401	6	C-R HEXAGON FLANGE BOLT
5	95516700000	1	O RING
6	BF5217000001	1	FUEL GUAGE
7	90180501600	4	HEXAGON FLANGE BOLT (M8*30L)
8	BF5260110000	1	GASOLINE HOSE
9	B87060910000	1	CLIP
10	BF7061010000	1	CLIP
11	BF5260220003	1	OIL PIPE
12	ES706010000	2	CLIP

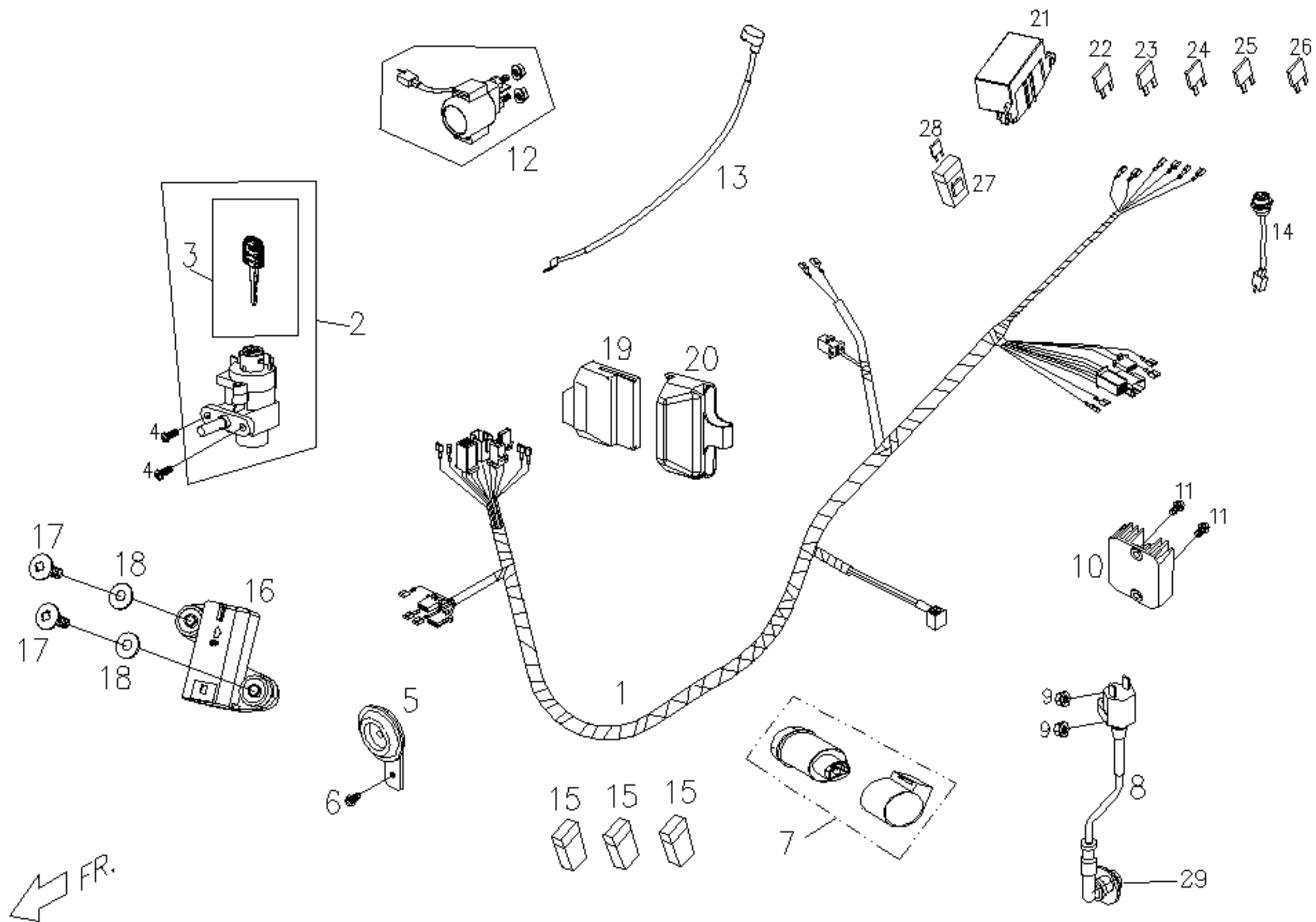
F14 MAIN STAND / SIDE STAND



F14 MAIN STAND / SIDE STAND

NO.	PART NO.	QTY	PART NAME
1	92060800002	1	HEXAGON FLANGE NUT
2	BF4610016003	1	CENTER STAND ASSY
3	90191002800	2	HEXAGON FLANGE BOLT
4	M24610110000	2	SLIDE BUSH
5	E1461121000	1	SPRING
6	C1701050000	1	RUBBER DAMPING, CENTER STAND
7	C2462120000	1	SPRING,SIDE STAND
8	BF4620016001	1	SIDE STAND ASSY
9	90020803201	1	HEXAGON HEAD BOLT

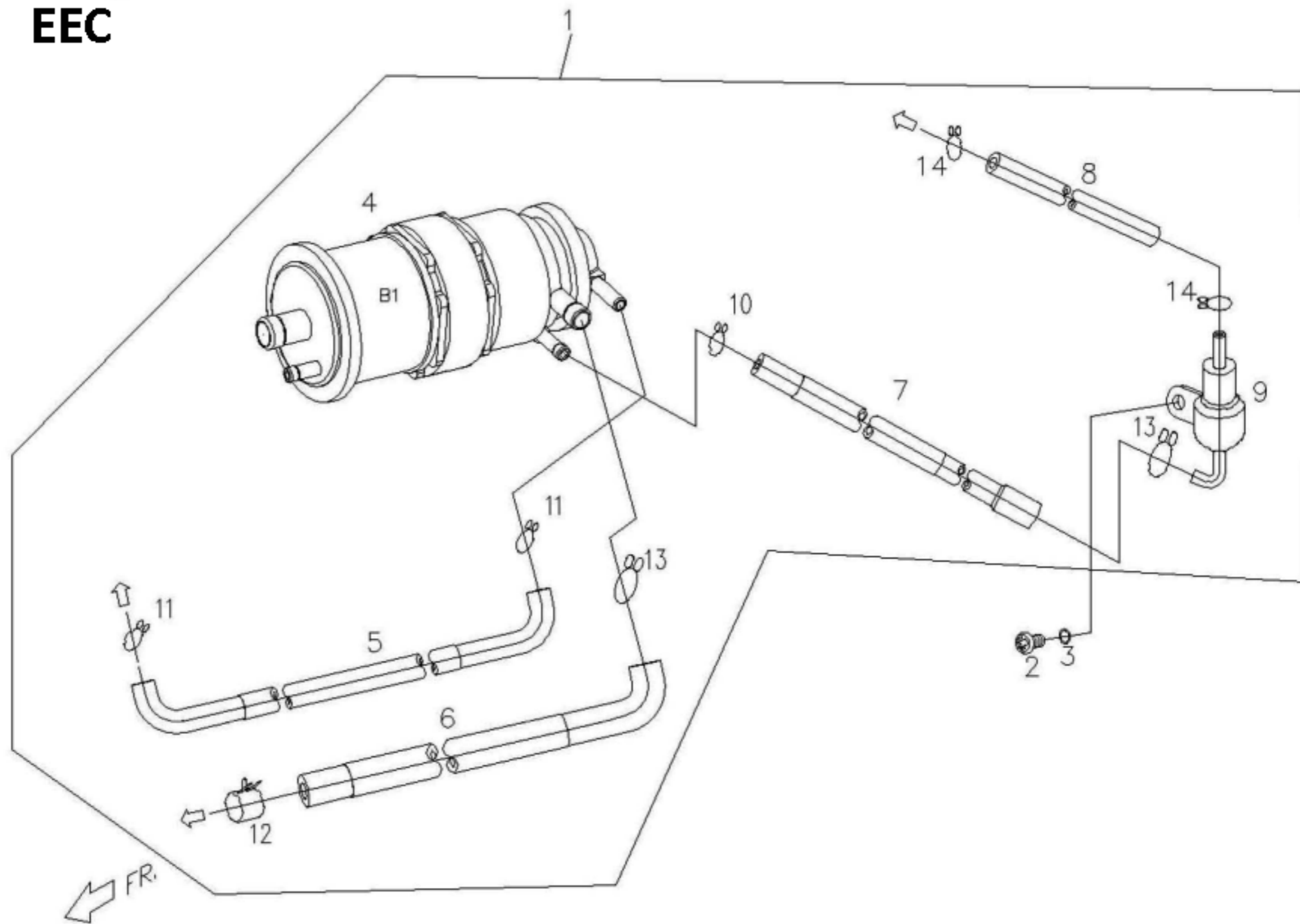
F15 WIRE HARNESS / ELECTRONICS



F15 WIRE HARNESS / ELECTRONICS

NO.	PART NO.	QTY	PART NAME
1	BF581600000Z	1	HARNESS.WIRE
2	M2552005000J	1	IGNITION SWITCH COMP.
3	M255B010000D	1	ANTI-THIEF COVER ASSY & KEY
3	ES55B010000	1	KEY
4	90040602003	2	CR PAN HD MACHINE SCREW
5	M2583600000	1	HORN
6	90190601502	1	HEXAGON FLANGE BOLT(M6*15L)
7	AF5860000000	1	FLASHER RELAY ASSY
8	BF5846000002	1	COIL COMP.IGNITION ASSY
9	92040600000	2	HEXAGON FLANGE NUT (M6*1.0P)
10	J35840000000	1	RECTIFIER COMP.REGULATE
11	90190601502	2	HEXAGON FLANGE BOLT(M6*15L)
12	C15810020000	1	STARTER RELAY ASSY
13	BF5830210000	1	BATTERY (+) LINE
14	ES581710000	1	DIAGNOSE ADAPTOR
15	ES581200000	3	RELAY
16	XC5891000000	1	TOPPLE SWITCH
17	90070402000	2	SCREW
18	92140400003	2	WASHER
19	P65890000000B	1	ECU,EFI
20	ES5890210000	1	ECU RUBBER
21	98701200001	1	FUSE BOX
22	98701201000	1	FUSE
23	98701205000	1	FUSE
24	98701210000	1	FUSE
25	98701207500	1	FUSE
26	98701201000	1	FUSE
27	98701200000	1	FUSE BOX
28	98701215000	1	FUSE
29	BF58D0300000	1	SPARKING PLUG COVER COMP.

F16 EEC



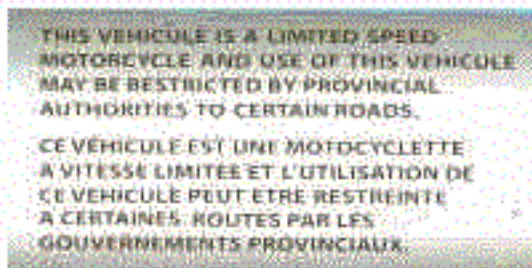
F16 EEC SYSTEM

NO.	PART NO.	QTY	PART NAME
1	BF5240010001	1	AIAC ASSY
2	90050601002	1	CR ROUND HD MACHINE SCREW(M6*10L)
3	92140600018	1	WASHER
4	M25240700000	1	CANISTER/PCV COMP
5	BF5240100001	1	RUBBER PIPE(A)
6	BF5240200001	1	RUBBER PIPE(B)
7	BF5240300001	1	RUBBER PIPE(C)
8	BF5240410001	1	RUBBER HOSE
9	M2524040000	1	FCV
10	P552D070000	1	CLIP
11	C152D030000	2	CLIP
12	92221000001	1	PLATE CLIP
13	C152D050000	2	CLIP
14	P552D080000	2	CLIP

F17 EMBLEMS / STICKERS



1



6

TO KEEP SCOOTER RUNNING SMOOTHLY, CHANGE ENGINE OIL AT 300 Km FOR A NEW SCOOTER, THEN EVERY 3000 Km PERIODICALLY.

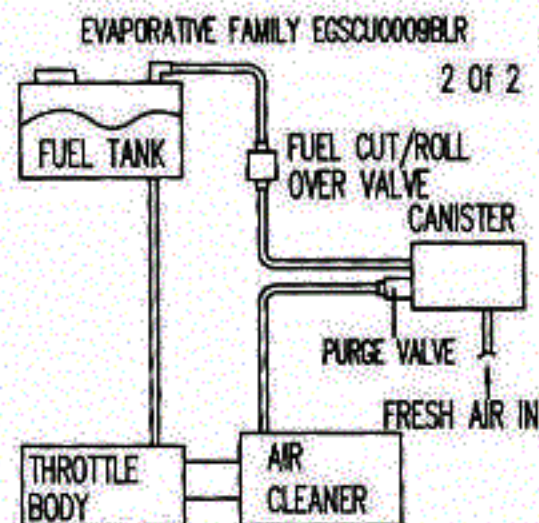
2

MAX. LOAD 5Kg

3



7



4

HOOOLIGAN
1701

8



限用無鉛汽油
UNLEADED GAS ONLY

5

F17 EMBLEMS / STICKERS

NO.	PART NO.	QTY	PART NAME
1	C16030010001	1	NOTICE ADHSIVE LABEL
2	C16030120001	1	OIL CHANGE LABEL
3	BF6030100000	1	LIMIT LABEL, WEIGHT
4	M26033110000	1	EEC MARK STICKER
5	C1603020000	1	STICKER, FUEL TYPE
6	C1603070000	1	TIRE INFORMATION PAPER
7	P66032900000	1	WARNING LABEL
8	BF6011700000	2	BODY COVER(HOOLIGAN) BADGE
9	P66014000000	1	GENUINE LOGO STICKER
10	BF603280000E	1	ENGINE INFORMATION STICKER
11	BF603290000E	1	NOISE EMISSION CONTROL INFO PAPER