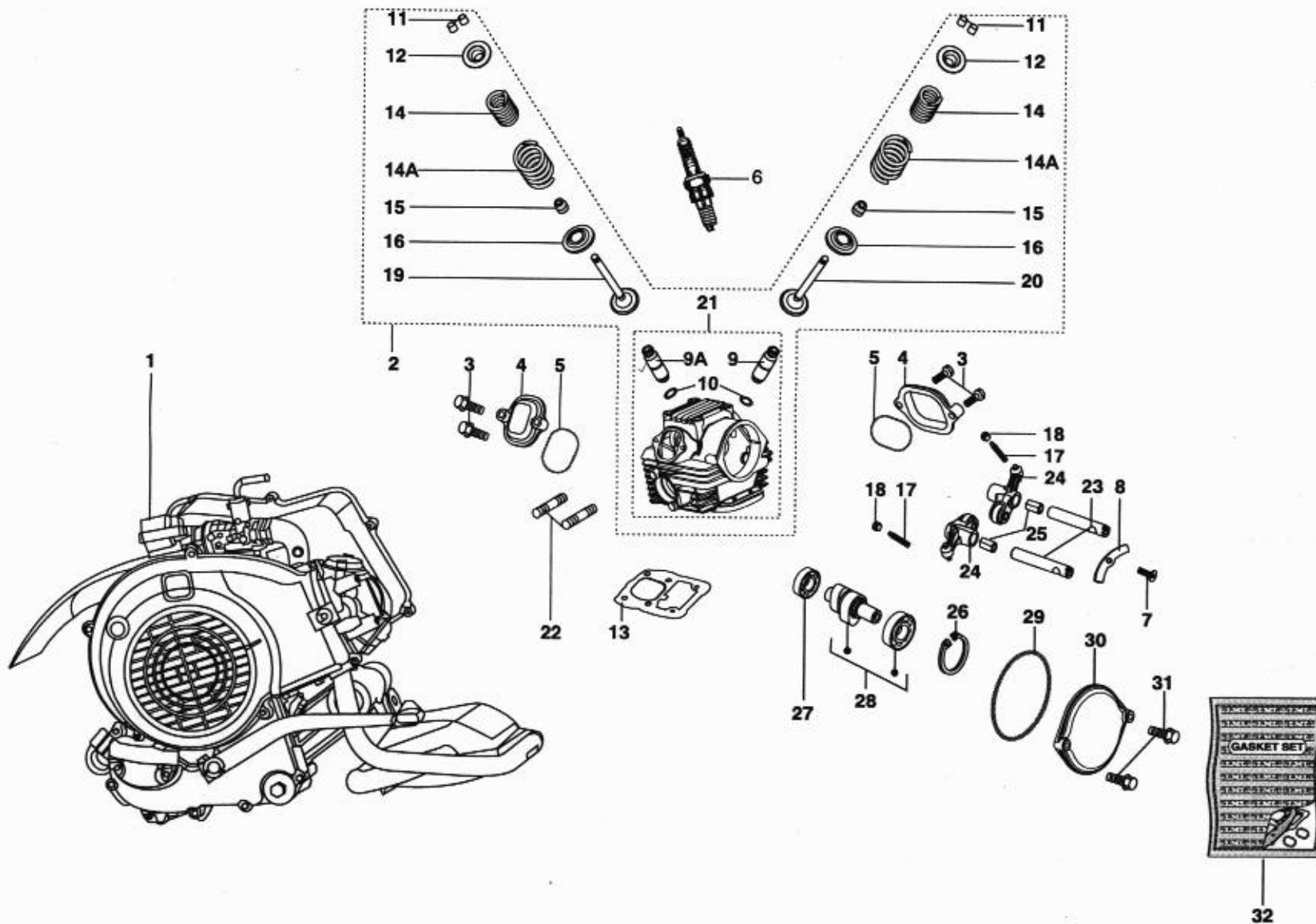


TABLE - 1
ENGINE ASSY. - CYLINDER HEAD - VALVES - CAM SHAFT



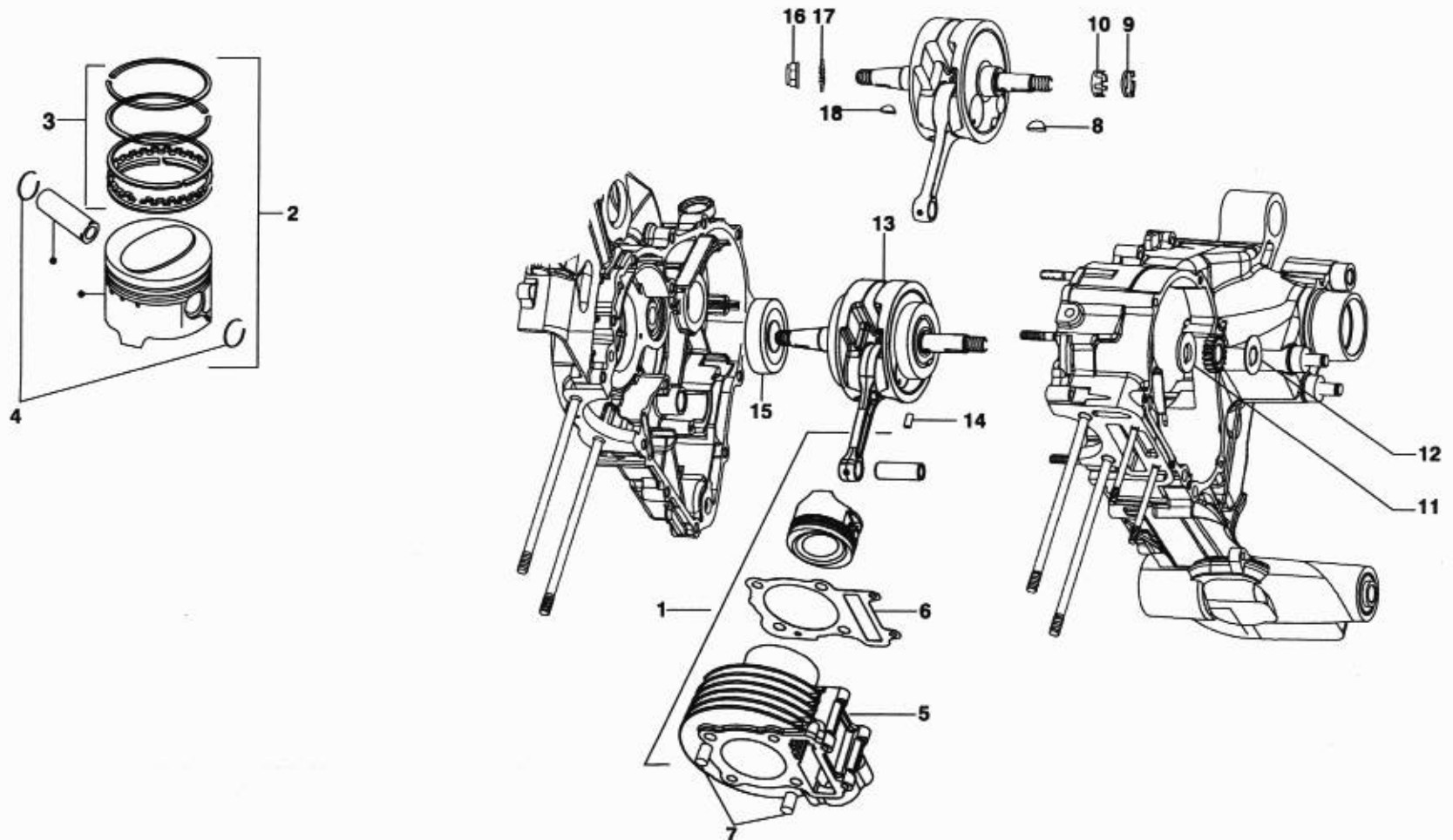
PARTS CATALOGUE STELLA - 4 STROKE

TABLE - 1 ENGINE ASSY. - CYLINDER HEAD - VALVES - CAM SHAFT

Fig. No.	Description	Qty. Per Scooter	PART NUMBERS	REMARKS
1	Engine Assembly	1	SF514-0008	
2	Cylinder head sub assy.	1	SF513-0042	
3	Bolt flange 6x20 SH	4	SF504-1171	
4	Cap inspection exhaust	2	C-3771190	
5	'O' Ring, inspection cap exhaust.	2	C-4771192	
6	Spark plug UHR3CC MICO	1	C-4773681/M	
	Spark plug RG4HC CHAMPION	1	C-4773681	
7	Screw, counter sunk	1	SF504-1159	
8	Plate, Rocker arm shaft	1	SF514-0090	
9	Guide Valve, Intake	1	B1314-0256	
9A	Guide Valve, Exhaust	1	SF514-0310	
10	Valve guide ring snap.	2	C-4771197	
11	Cotter Valve	4	SF514-1519	
12	Retainer, Valve Spring.	2	B1314-0566	
13	Gasket, Head Cylinder.	1	SF513-0048	
14	Spring valve inner	2	SF513-0492	
14A	Spring valve outer	2	SF513-0493	
15	Seal valve stem	2	SF513-1514	
16	Seat valve spring	2	B1314-0264	
17	Screw tappet adjusting.	2	C-4770950	
18	Nut tappet adjusting	2	SF504-1019	
19	Valve, Exhaust	1	B1313-0255	
20	Valve, Intake	1	B1813-0023	
21	Head Comp.	1	SF510-0043	
22	bolt, Stud 6x40	2	C-4770745	
23	Shaft, Rocker arm	2	SF513-0039	
24	Arm Assy., Valve Rocker	2	SF514-0138	
25	Needle cage bearing (10x13x13)	2	SF514-0140	
26	Circlip,internal 35 x 1.75	1	C-4770970	
27	Bearing 6002-z-C3(15x32x9)	1	C-4770922	
28	Cam shaft with bearing	1	SF514-0044	
29	'O' Ring,Cyl.Head LH cover	1	SF514-0101	
30	Cover cylinder head left	1	SF513-0098	
31	Bolt flange 6 x 25 SH	2	SF504-1172	
32	Set of gaskets *	1	SF514-1610	

* Set of gaskets: Tab. 1-13, Tab. 2-6, Tab. 3-21, Tab. 4-17, Tab. 5-20, Tab. 8-18, Tab. 11-30, 34

TABLE - 2
CRANK SHAFT-CYLINDER-PISTON-WRIST PIN-RING ASSY

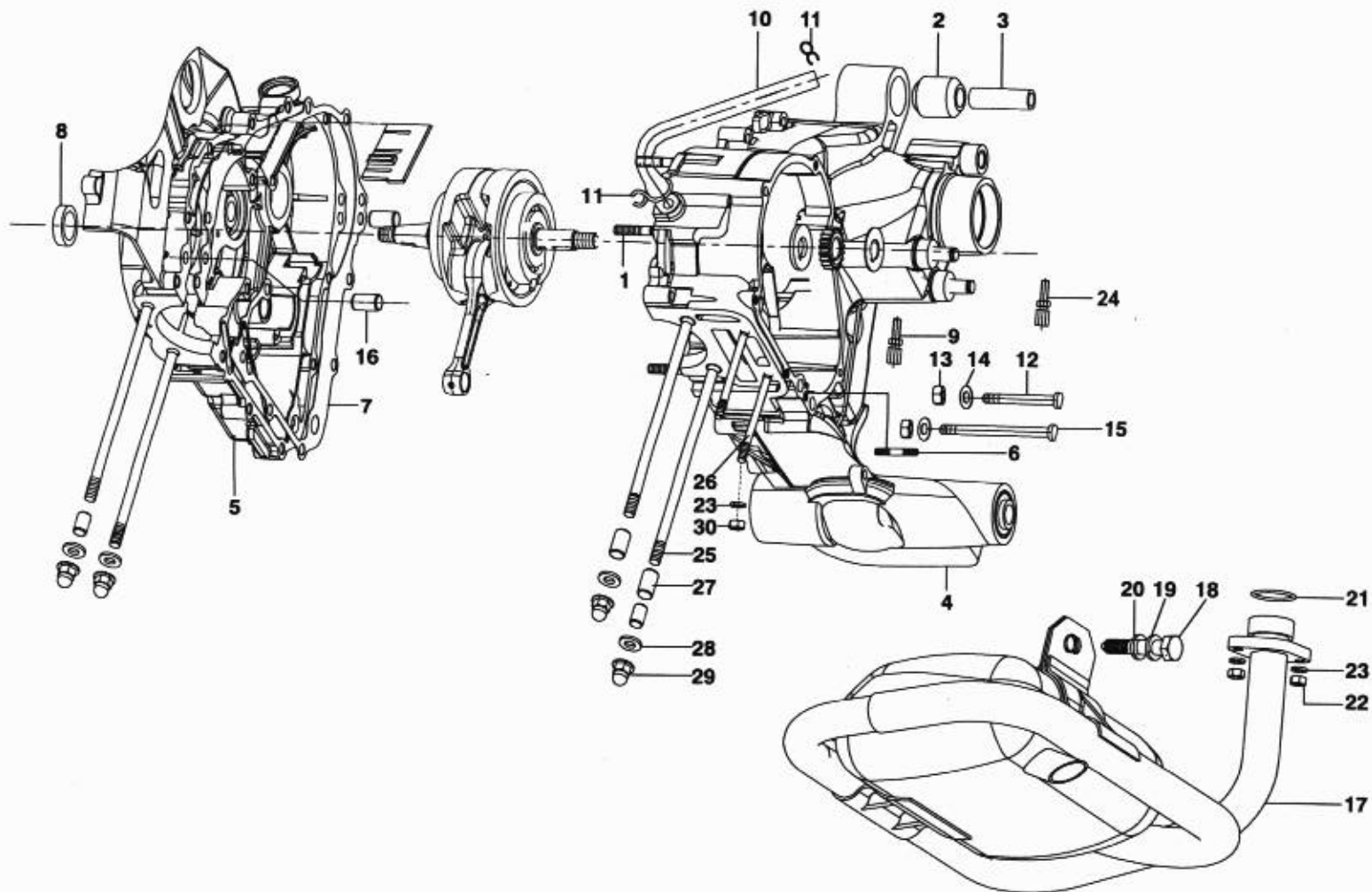


PARTS CATALOGUE STELLA - 4 STROKE

TABLE - 2 CRANK SHAFT - CYLINDER - PISTON - WRIST PIN - RING ASSY.

Fig. No.	Description	Qty. Per Scooter	PART NUMBERS	REMARKS
1	Cyl.,Piston, Wrist pin,Circlip assy	1	SF514-1638	
2	Piston, Wrist pin,Circlip assy-STD	1	SF514-1639	
2.1	Piston, Wrist pin,Circlip assy-1st o.s.	1	SF514-1641	
2.2	Piston, Wrist pin,Circlip assy-2nd o.s.	1	SF514-1642	
2.3	Piston, Wrist pin,Circlip assy-3rd o.s.	1	SF514-1643	
2.4	Piston, Wrist pin,Circlip assy-4th o.s.	1	SF514-1644	
3	Piston ring set(std)	1	SF514-1640	
3.1	Piston ring set (1st O/S.)	1	SF514-1645	
3.2	Piston ring set (2nd o/s)	1	SF514-1646	
3.3	Piston ring set (3rd O/S)	1	SF514-1647	
3.4	Piston ring set (4th o/s)	1	SF514-1648	
4	Clip piston pin,13mm	2	SF504-1179	
5	Cylinder Block	1	SF511-0037	
6	Gasket Cylinder	1	SF514-0049	
7	Pin Dowl10x16	2	SF504-1164	
8	Key clutch side	1	SF514-1591	
9	Ring nut clutch	1	SF514-1547	
10	Lock washer clutch	1	SF514-1551	
11	Shoulder washer	1	SF514-0116	
12	Washer	1	SF514-0201	
13	Crank shaft assy.with bearing	1	SF514-0344	
14	Roller dia 4x8	1	SF514-0035	
15	Ball bearing	1	SF503-1003	
16	Nut flywheel mounting	1	SF504-1048	
17	Lock washer	1	C-4709338	
18	Key Magneto side	1	SF514-1611	

TABLE - 3
CRANK CASE ASSY.

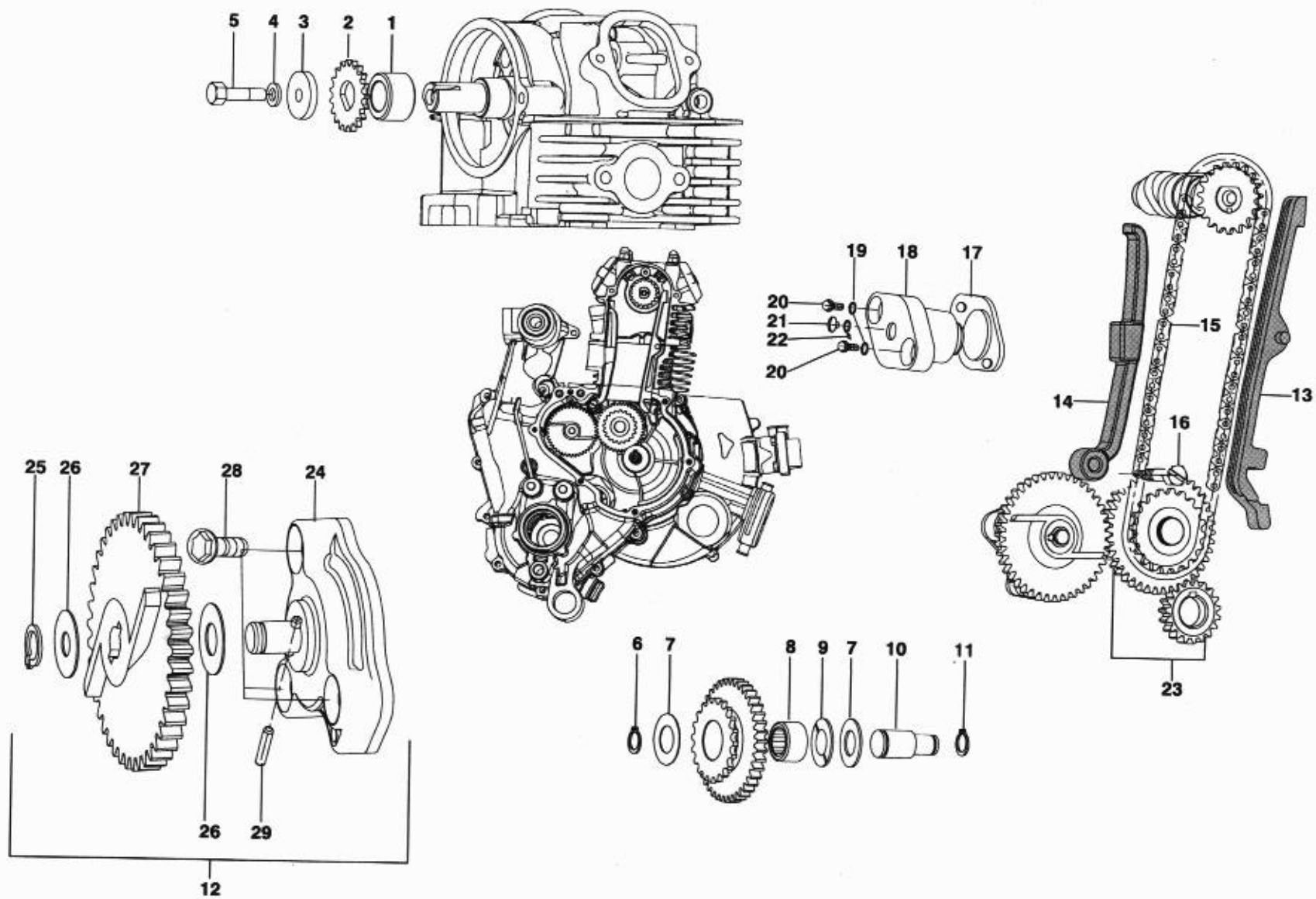


PARTS CATALOGUE STELLA - 4 STROKE

TABLE - 3 CRANK CASE ASSY - MUFFLER

Fig. No.	Description	Qty. Per Scooter	PART NUMBERS	REMARKS
1	Stud	5	SF504-1024	
2	Buffer	1	SF514-1501	
3	Tube	1	SF514-1509	
4	Crank case assy. clutch side	1	SF513-0191	
5	Crank case flywheel side	1	SF512-0219	
6	Stud M6X40	1	C-4770745	
7	Gasket crank case	1	SF512-0078	
8	Oil seal 20x30x7	1	SF514-0060	
9	Adjusting screw with nut (Rear brake)	1	SF514-1526	
10	Breather tube	1	SF514-0279	
11	Clip breather tube	2	SF514-0319	
12	D Bolt m7x49	6	SF504-1026	
13	Nut m7	14	SF504-1047	
14	Curved washer	14	SF504-1061	
15	D Bolt M7x82	3	SF504-1063	
16	Dowel Crank case	2	SF504-1164	
17	Muffler complete	1	SF513-0369	
18	Bolt for silencer	1	SF514-0171	
19	Spring washer	1	SF504-1042	
20	Plain washer M10	1	SF514-0190	
21	Gasket exhaust pipe	1	SF514-0267	
22	Nut	2	SF504-1161	
23	Spring washer M6	2	SF504-1040	
24	Adjusting screw with nut	1	SF514-0207	
25	Stud cylinder	4	SF514-0057	
26	Stud cylinder M6X99.5	2	SF514-0089	
27	Dowel	2	SF504-1177	
28	Gasket, Cylinder nut	4	C-4780009	
29	Dome nut	4	C-4771199	
30	Nut, M6 - 6H	2	SF504-1046	

TABLE - 4
TIMING CHAIN-SPROCKET-OIL PUMP

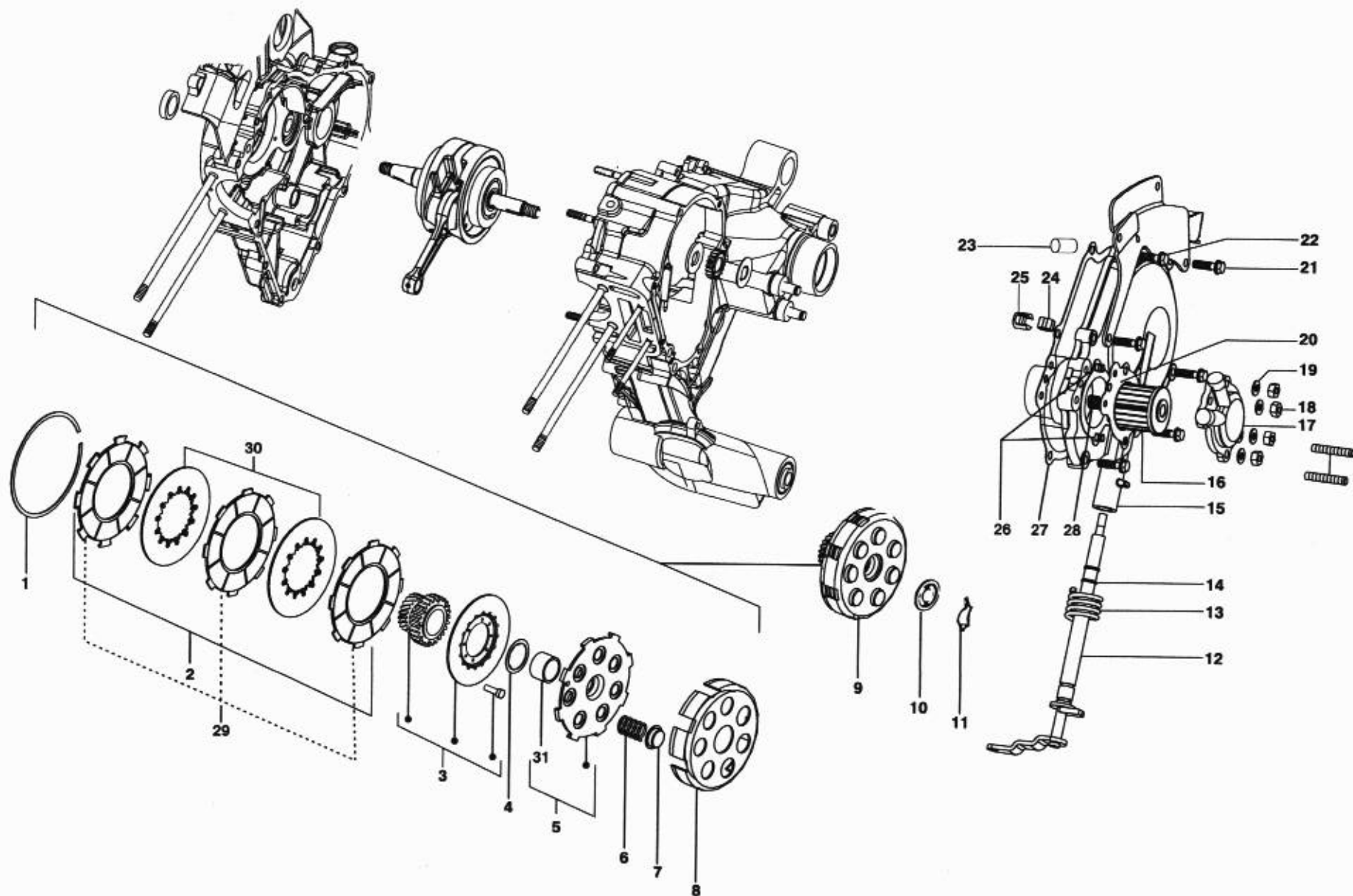


PARTS CATALOGUE STELLA - 4 STROKE

TABLE - 4 SILENT TIMING CHAIN - SPROCKET - OIL PUMP

Fig. No.	Description	Qty. Per Scooter	PART NUMBERS	REMARKS
1	Bush sprocket spring	1	SF514-0102	
2	Sprocket Z 19 silent chain	1	SF513-0124	
3	Washer 6.5x24.4	1	C-4782314	
4	Spring washer	1	C-4773770	
5	Bolt flange 6x16	1	C-4782343	
6	Circlip	1	SF504-1178	
7	Washer 14.5x24x0.5	2	SF514-0074	
8	Needle roller bearing	1	SF514-0075	
9	Wave washer	1	SF514-0209	
10	Pin sprocket idler	1	SF514-0120	
11	Circlip	1	C-4709958	
12	Oil pump assy. With gear	1	SF514-0142	
13	Guide silent cam chain	1	SF513-0126	
14	Tensioner silent chain	1	SF513-0127	
15	Silent Chain cam	1	SF513-0132	
16	Bolt tensioner pivot	1	SF514-0105	
17	Gasket,tensioner lifter	1	SF514-1517	
18	Lifter assy.tensioner	1	SF513-1516	
19	Plain washer	2	SF504-1051	
20	Bolt flange 6x20 SH	2	SF504-1171	
21	Screw 6x6	1	SF514-0189	
22	O ring 1.5x9.5	1	SF514-0185	
23	Set of idler gear & pinion	1	SF514-1609	
24	Oil pump assy.	1	SF514-0143	
25	Circlip	1	SF504-1055	
26	Thrust washer 8.2x18x0.5	2	SF504-1021	
27	Gear oil pump drive 41T	1	SF513-0141	
28	Bolt flange SH 6x20	3	SF504-1171	
29	Roller for pump (2.5x11.8)	1	SF504-1194	

TABLE - 5
CLUTCH



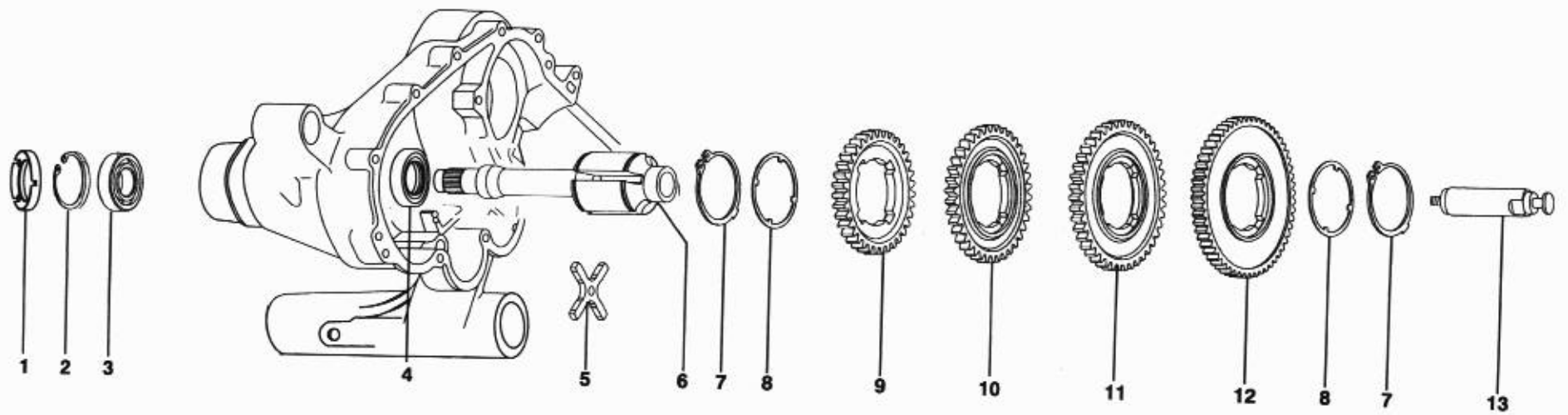
PARTS CATALOGUE STELLA - 4 STROKE

TABLE - 5 CLUTCH

Fig. No.	Description	Qty. Per Scooter	PART NUMBERS	REMARKS
1	Circlip			
2	Drive plate kit comp.	1	SF504-1011	
3	Engine gear assy.	1	C-4712751	
4	Stop washer	1	C-4712330	
5	Clutch bush assy.	1	SF514-1565	
6	Spring	1	SF514-1529	
7	Cap	7	C-4723366	
8	Clutch case (Box)	7	SF514-1550	
9	Clutch assy.	1	SF513-1558	
10	Pressure plate	1	C-3712329	
11	Retainer ring	1	SF514-1549	
12	Outer lever	1	SF514-1515	
13	Spring	1	SF513-0271	
14	Packing	1	SF504-1014	
15	Clutch cover	2	SF514-0184	
16	Element oil filter	1	SF513-0366	
17	Cover comp. paper filter	1	SF513-1524	
18	Nut M6-6H	1	SF513-0188	
19	Curved washer	4	SF504-1046	
20	Gasket cover oil filter	4	SF504-1060	
21	Bolt flange SH M6x25	1	SF514-0178	
22	Bolt flange SH M6x32	4	SF504-1172	
23	Dowel	2	SF504-1173	
24	Inner lever	2	SF504-1175	
25	Actuating pad	1	SF514-1585	
26	Stud M6x26	1	SF514-1586	
27	Packing, clutch cover	3	SF514-0365	
28	Spring paper filter	1	SF513-0018	
29	Drive plate kit	1	SF514-0180	
30	Driven plate	1	C-4712750	
31	Bush	2	SF514-1589	
		1	SF514-1545	



TABLE - 6 GEAR GROUP



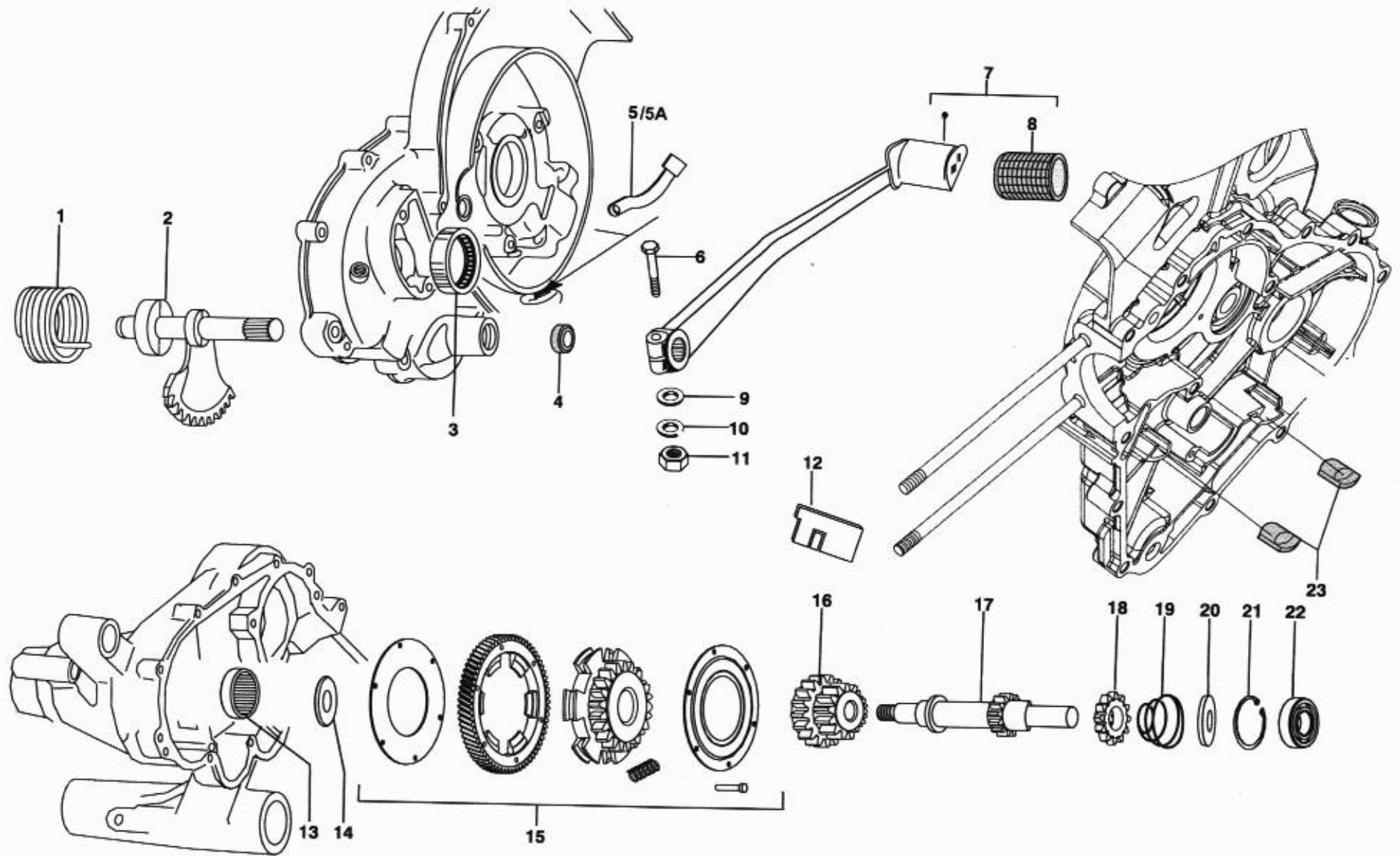
PARTS CATALOGUE STELLA - 4 STROKE

TABLE - 6 GEAR GROUP

Fig. No.	Description	Qty. Per Scooter	PART NUMBERS	REMARKS
1	Dust ring			
2	Circlip	1	SF514-1510	
3	Bearing	1	SF504-1057	
4	Oil Seal	1	SF504-1012	
5	Selector spider	1	SF514-0183	
6	Drive shaft	1	SF513-1552	
7	Circlip	1	C-1727158	
8	Shoulder washer (std.)	2	SF504-1065	
	Shoulder washer (1st o/s)	2	SF514-1511	
	Shoulder washer (2nd o/s)	2	SF514-1512	
	Shoulder washer (3rd o/s)	2	SF514-1606	
	Shoulder washer (4th o/s)	2	SF514-1607	
9	4th Gear	2	SF514-1608	
10	3rd Gear	1	SF513-0026	
11	2nd Gear	1	SF513-0025	
12	1st Gear	1	SF513-0023	
13	Gear control rod	1	SF513-0024	
		1	SF513-1553	



TABLE - 7
SPRING GEAR-KICK STARTER

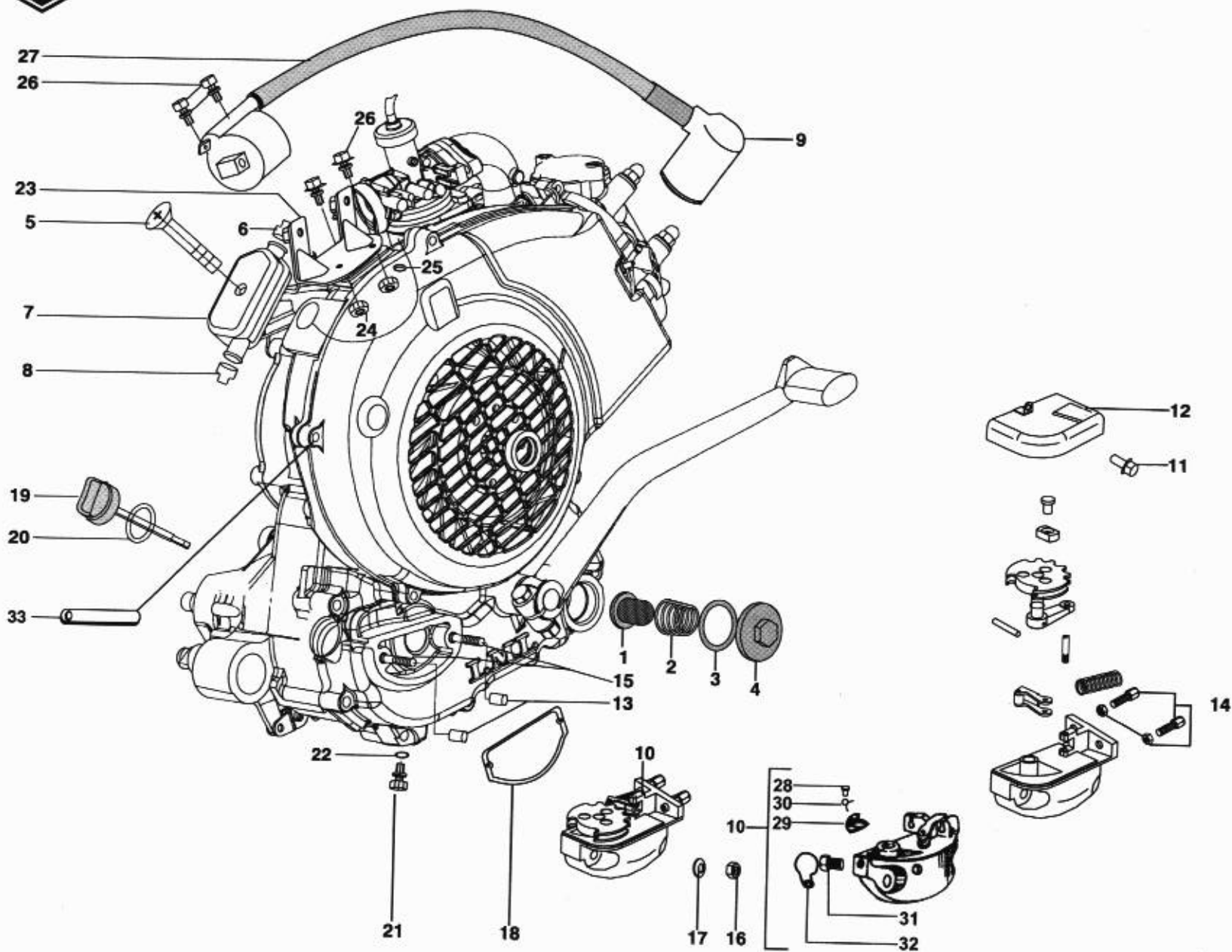


PARTS CATALOGUE STELLA - 4 STROKE

TABLE - 7 SPRING GEAR - KICK STARTER

Fig. No.	Description	Qty. Per Scooter	PART NUMBERS	REMARKS
1	Lever return spring.	1	SF514-1593	
2	Starter sector.	1	SF513-1521	
3	DC roller bearing.	1	SF504-1004	
4	Oil seal.	1	SF514-0019	
5	Plate for gear change cable.	1	SF513-0254	
5A	Brake and clutch cable support plate	1	SF513-0353	
6	Kick lever securing bolt.	1	SF504-1199	
7	Kick starter lever with sleeve.	1	SF514-1520	
8	Protective sleeve.	1	SF514-1555	
9	Plain washer.	1	SF504-1049	
10	Spring washer.	1	SF504-1041	
11	Nut M8.	1	SF504-1044	
12	Oil deflector.	1	SF514-0144	
13	Needle roller bearing (16X22X16).	1	SF514-0100	
14	Shim 16mm.	1	SF514-0022	
15	Spring gear assy.	1	SF514-0109	
16	Counter gear 2nd and 3rd.	1	SF513-0094	
17	Counter shaft 1st gear.	1	SF513-0093	
18	Starter gear	1	SF513-0011	
19	Spring for starter gear	1	SF504-1006	
20	Washer thrust arm.15mm	1	SF504-1020	
21	Circlip.	1	SF504-1056	
22	Ball bearing.	1	SF504-1002	
23	Buffer kick starter.	2	SF514-1534	

TABLE - 8
OIL FILTER - GEAR SELECTOR - LT SOCKET - HT COIL



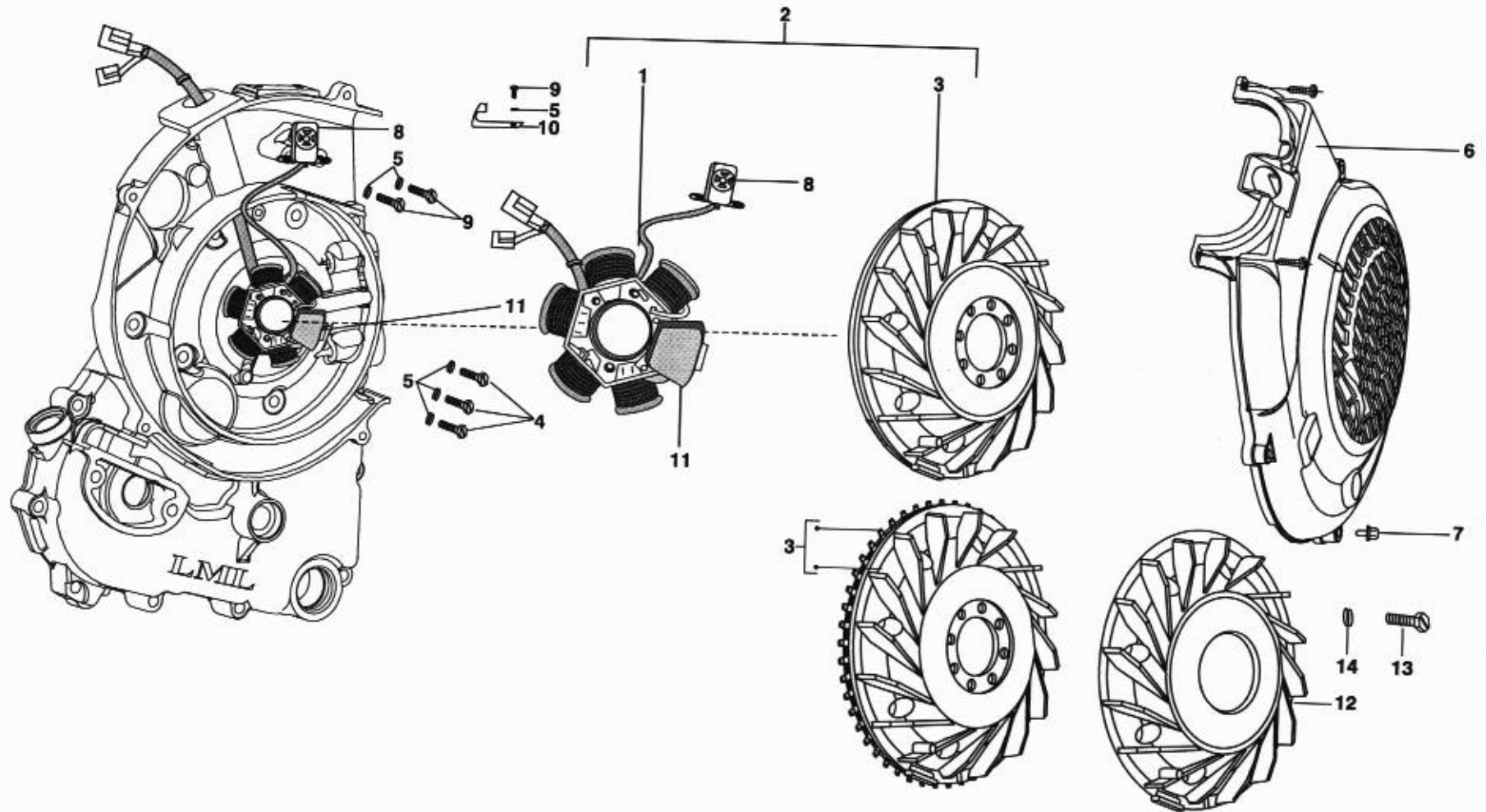
PARTS CATALOGUE STELLA - 4 STROKE

TABLE - 8 OIL FILTER - GEAR SELECTOR - L.T. SOCKET - HT COIL

Fig. No.	Description	Qty. Per Scooter	PART NUMBERS	REMARKS
1	Screen oil filter	1	C-4770004	
2	Spring oil filter screen	1	SF514-0186	
3	O ring 30.8mm	1	SF504-1022	
4	Drain plug	1	C-4771645	
5	Securing screw LT socket	1	SF504-1038	
6	Insulating cap	1	SF584-2274	
7	LT Socket	1	SF512-1507	
8	Insulating cap for LT socket	1	SF584-2275	
9	Noise Suppressor Cap	1	C-4773776	
10	Gear control bracket with neutral switch	1	SF513-0354	
11	Bolt flange SH M6 X 25	1	SF504-1172	
12	Selector bracket cover	1	SF514-0175	
13	Dowel GCB 8X12	2	SF504-1175	
14	Adjusting screw with nut	2	SF514-1525	
15	Stud	2	SF514-0192	
16	Nut	2	SF504-1043	
17	Curved washer	2	SF504-1060	
18	Gasket gear control bkt.	1	SF514-0187	
19	Gauge oil level	1	SF513-0064	
20	O' ring oil leveler	1	SF504-1023	
21	Oil drain bolt	1	SF514-0067	
22	Washer	1	C-4773764	
23	HT Coil mounting bkt.	1	SF514-0173	
24	Nut nylock	2	C-4701940	
25	Plain washer	2	SF504-1051	
26	Bolt flange SH6 X 20	2	SF504-1171	
27	HT Coil with cable	1	SF513-0195	
28	Neutral switch comp	1	SF514-1655	
29	Bush	1	SF514-1653	
30	Spring	1	SF514-1654	
31	Pivot Screw	1	C-4712744	
32	Insulating Cap	1	SF584-2245	
33	Wiring holding plate	1	SF524-0816	



TABLE - 9
FLYWHEEL MAGNETO



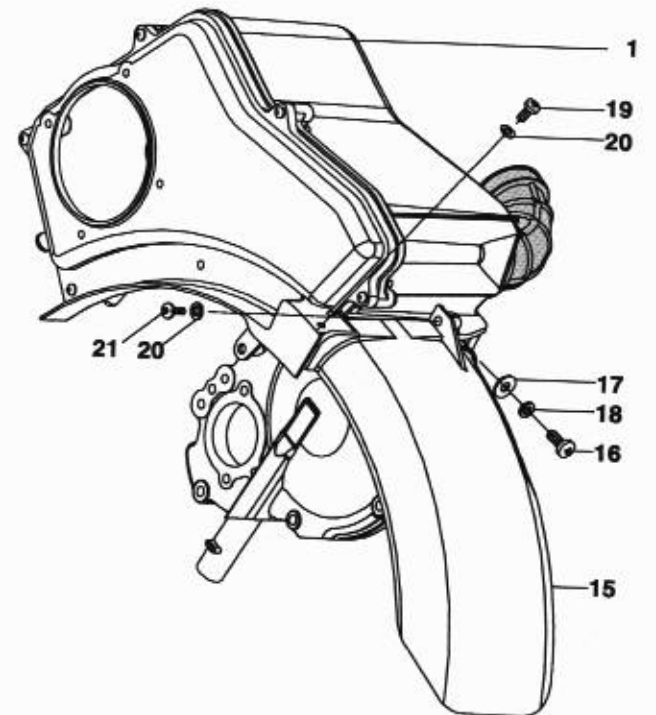
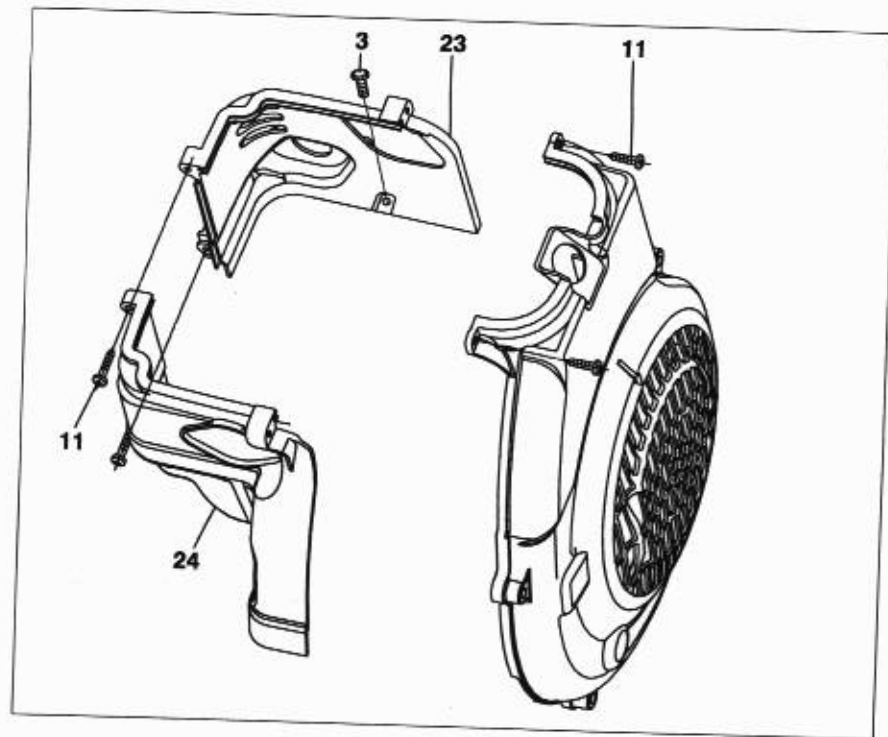
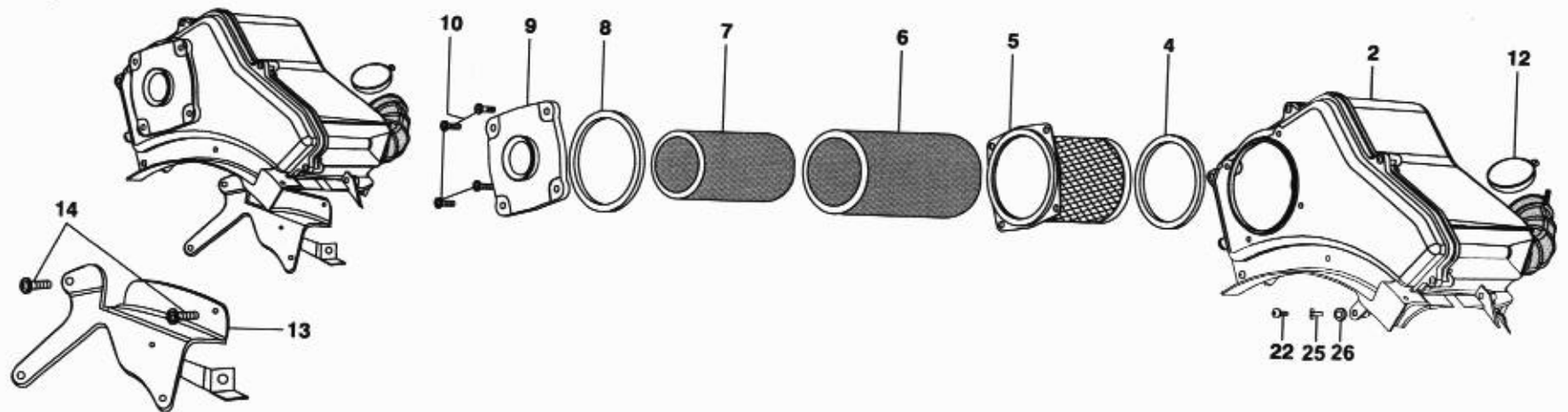
PARTS CATALOGUE STELLA - 4 STROKE

TABLE - 9 FLYWHEEL MAGNETO

Fig. No.	Description	Qty. Per Scooter	PART NUMBERS	REMARKS
1	Stator complete	1	SF512-0150	
2	Fly wheel magneto comp.	1	SF513-0352	
3	Rotor with fan.	1	SF514-0348	
4	Back plate sec.screw.	3	SF504-1037	
5	Star washer	6	SF504-1027	
6	Fan cover	1	SF511-0068	
7	Bolt flange SH M6x25.	3	SF504-1172	
8	Pick up coil.	1	SF514-0250	
9	Screw for pick up.	3	SF504-1036	
10	Clamp plate-magneto harness.	1	SF514-0194	
11	Charging coil.	1	SF514-0249	
12	Rotor Fan.	1	SF512-0218	
13	Screw M5X12	4	C-4706727	
14	Washer M5	4	C-4710757	



TABLE - 10 AIR-CLEANER - REAR MUD GUARD - COOLING HOOD



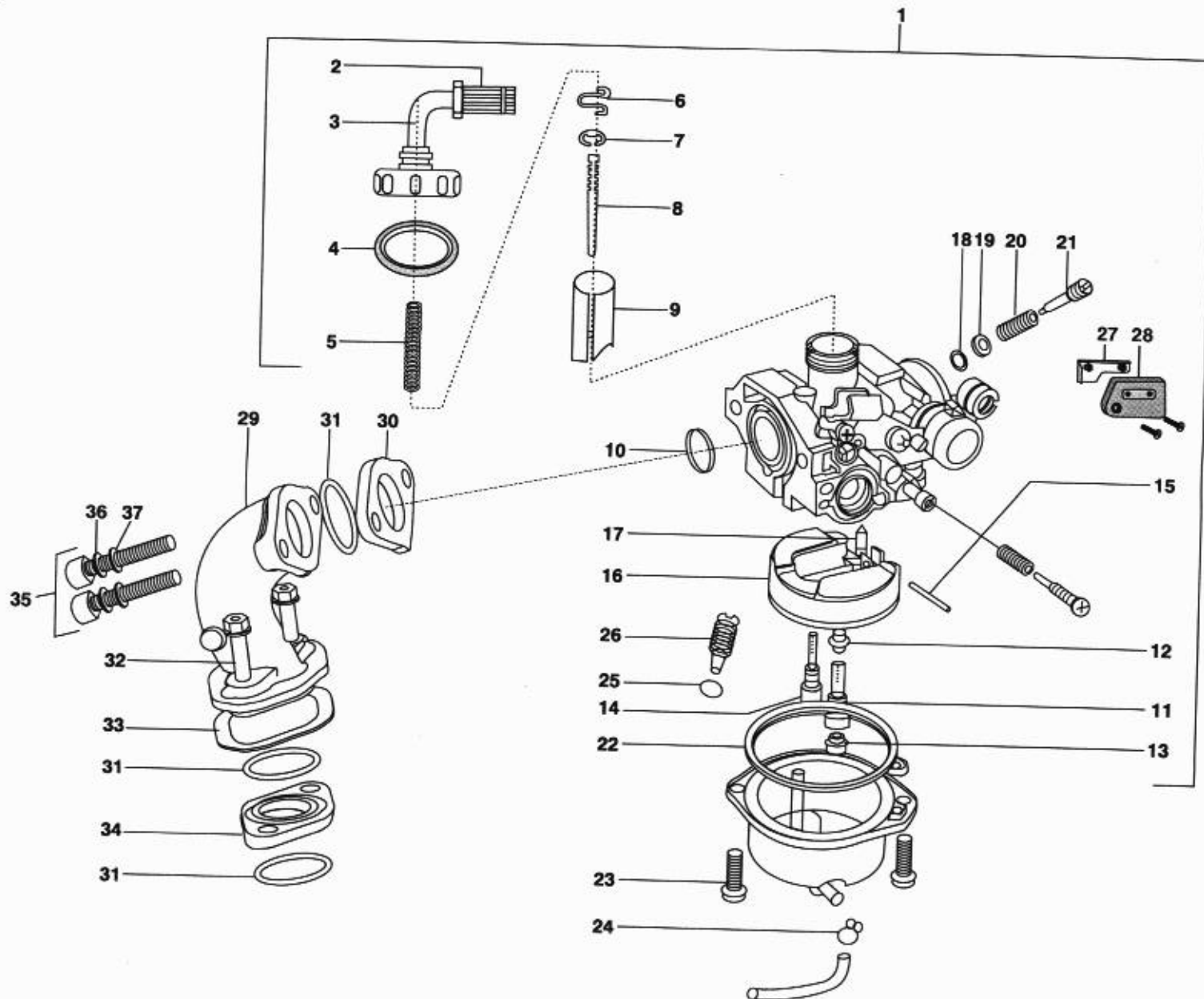
PARTS CATALOGUE STELLA - 4 STROKE

TABLE - 10 AIR CLEANER - REAR MUDGUARD - COOLING HOOD

Fig. No.	Description	Qty. Per Scooter	PART NUMBERS	REMARKS
1	Air cleaner complete	1	SF514-0359	
2	Air cleaner Box Unit	1	SF584-2231	
3	Bolt flange SH M6X25	1	SF504-1172	
4	Packing filter box	1	B1124-0659	
5	Element box	1	C-3773056	
6	Element outer	1	C-3773055	
7	Element inner	1	C-4773054	
8	Packing for lid	1	C-4773053	
9	Lid air filter	1	C-3773051	
10	Screw with washer M5x20	4	SF504-1160	
11	Self tapping screw 4.2x22	4	C-4706353	
12	Clamp air filter	1	C-4782169	
13	Bracket AC box	1	SF513-0125	
14	Bolt flange M6x12	2	SF504-1168	
15	Rear mudguard	1	SF511-0128	
16	Screw M6x15	1	SF504-1062	
17	Plain washer	1	SF504-1032	
18	Spring washer	1	SF504-1040	
19	Self tapping screw	1	SF504-1064	
20	Plain washer	2	SF504-1050	
21	Screw M5x12	1	SF504-1036	
22	Bolt flange M6X16	1	SF504-1206	
23	Hood exhaust	1	SF512-0083	
24	Hood inlet	1	SF512-0082	
25	Collar	1	B1134-0740	
26	Grommet	1	SF514-0255	



TABLE - 11
CARBURETTOR

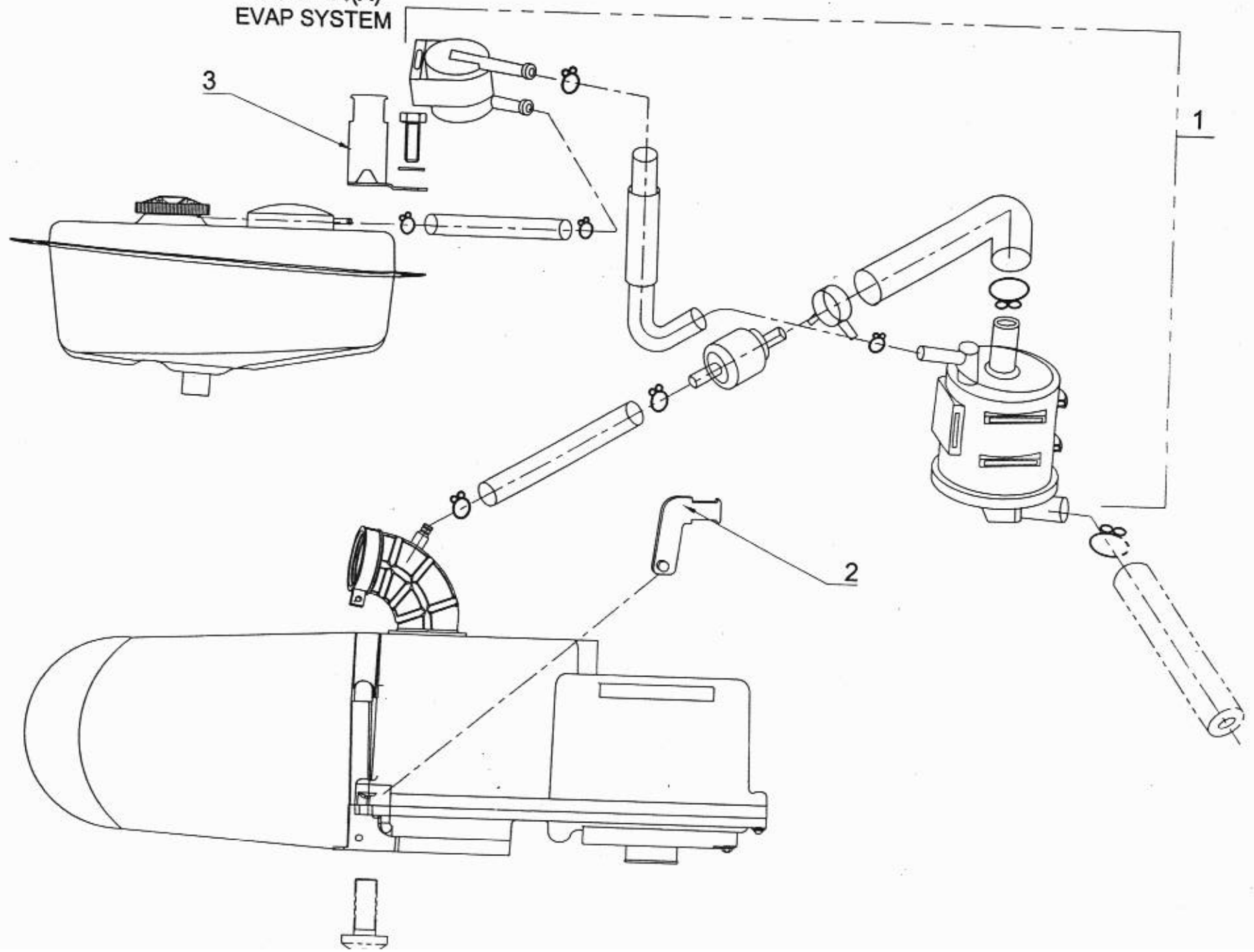


PARTS CATALOGUE STELLA - 4 STROKE

TABLE - 11 CARBURETTOR

Fig. No.	Description	Qty. Per Scooter	PART NUMBERS	REMARKS
1	Carburettor assy. PB18 KEIHIN			
2	Cable adjuster	1	SF514-0361	
3	Top cover comp.	1	C-2771420/12	
4	Gasket, top	1	C-2771420/11	
5	Spring throttle valve	1	C-2771420/13	
6	Needle clip plate	1	C-2771420/10	
7	Clip	1	C-2770697/11	
8	Jet needle	1	C-2770697/13	
9	Throttle valve	1	C-2771420/1	
10	O ring, Insulator side	1	C-2771420/8	
11	Needle jet	1	C-2770697/29	
12	Holder needle jet	1	C-2771420/9	
13	Main jet 90	1	C-2771420/2	
14	Slow jet pilot (40)	1	C-2771420/90	
15	Float arm pin	1	C-2771420/40	
16	Float comp	1	C-2770697/21	
17	Valve comp, float	1	C-2771420/4	
18	'O' ring	1	C-2771420/3	
19	Washer Plain	1	C-2771420/21	
20	Spring Idle mixture adj.	1	C-2771420/20	
21	Adjust screw idle mixture (12 degree)	1	C-2770697/18	
22	Gasket float chamber	1	C-2771420/15	
23	Screw. washer M4 X 14	1	C-2771420/5	
24	Clip for drain tube	2	C-2771420/6	
25	O ring	2	C-2771420/19	
26	Drain Screw	1	C-2770697/4	
27	Bracket assy cover carburettor	1	C-2771420/7	
28	Cover carburettor	1	C-4773954	
29	Intake manifold	1	C-3773953	
30	Packing insulator carb. side	1	SF514-0263	
31	O ring insulator dia. 25.5 x 2.4	1	SF514-0086	
32	Bolt flange SH M6x32	3	C-4773952	
33	Gasket insulator	2	SF504-1173	
34	Packing insulator engine side	1	SF514-0176	
35	Socket head screw M6x35	1	SF514-0087	
36	Spring washer	2	B1424-5004	
37	Plain washer	2	SF504-1040	
		2	SF504-1051	

TABLE - 11(A)
EVAP SYSTEM



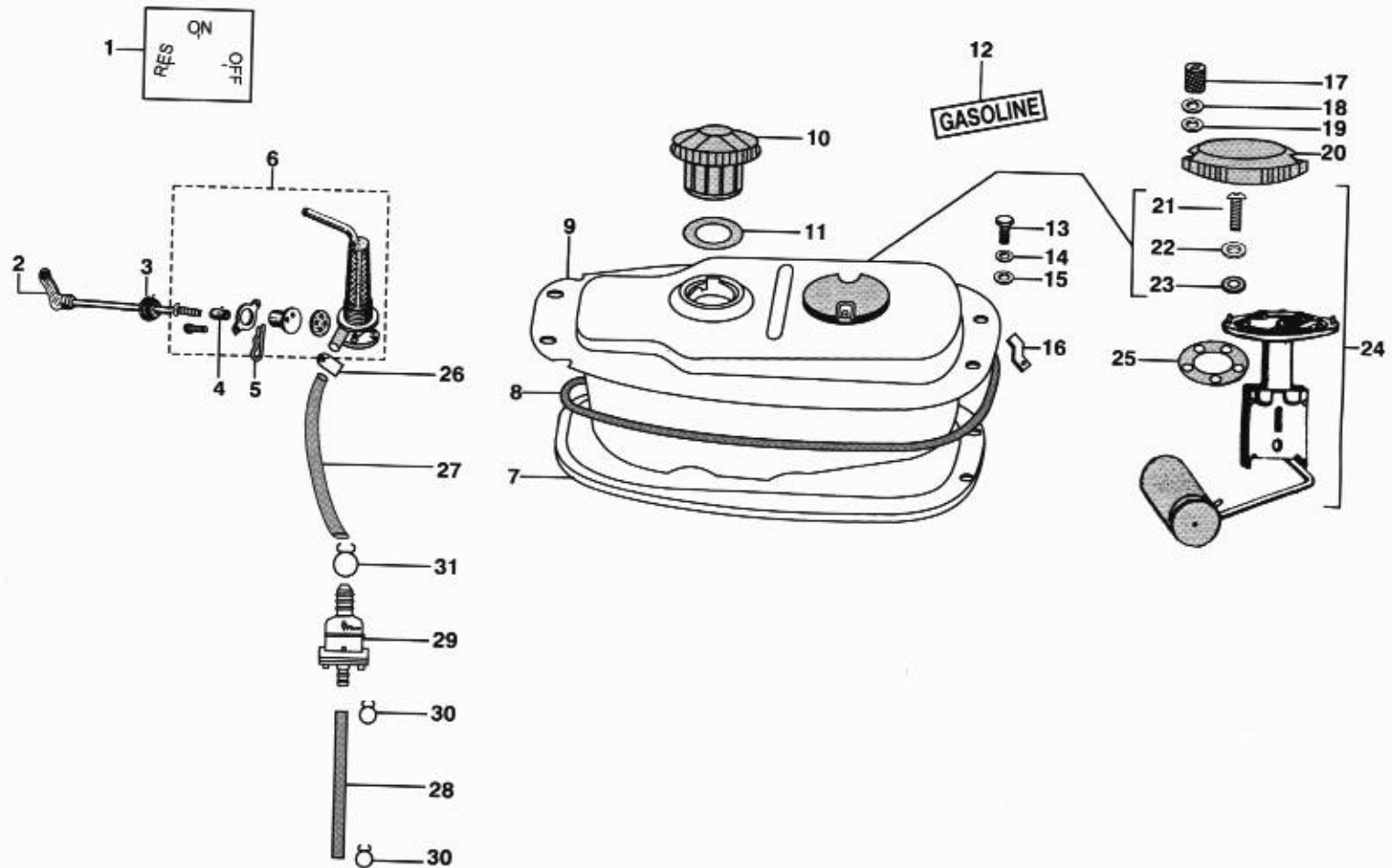
PARTS CATALOGUE STELLA - 4 STROKE

TABLE - 11A EVAP SYSTEM

Fig. No.	Description	Qty. Per Scooter	PART NUMBERS	REMARKS
1	EVAP system	1	SF524-0886	
2	Cainster mounting bracket	1	SF524-0875	
3	Fuel cut-off mounting bracket	1	SF523-0876	



TABLE - 12
FUEL TANK & FUEL COCK



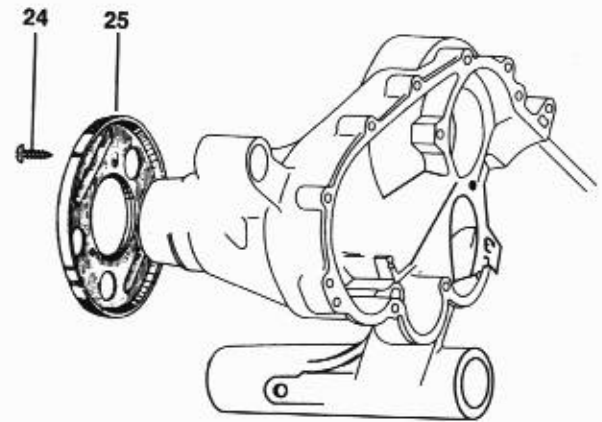
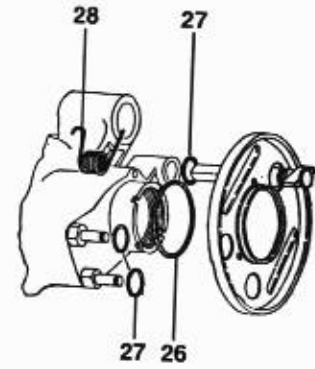
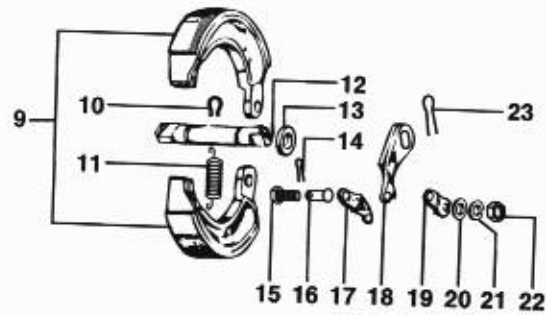
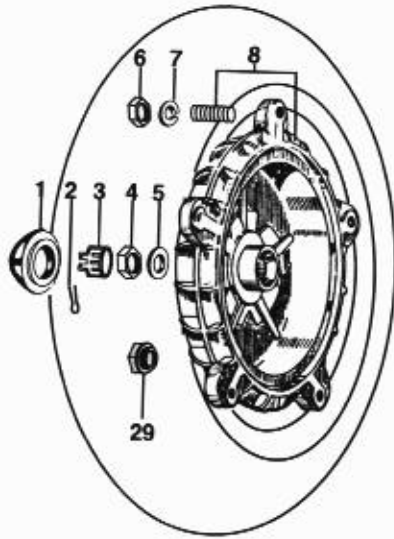
PARTS CATALOGUE STELLA - 4 STROKE

TABLE - 12 FUEL TANK AND FUEL COCK

Fig. No.	Description	Qty. Per Scooter	PART NUMBERS	REMARKS
1	Sticker for fuel ON-OFF & RES			
2	Fuel Cock Rod	1	SF524-0951	
3	Packing for fuel cock rod	1	SF523-0641	
4	Tube fuel cock	1	SF524-1836	
5	Spring clip	1	SF524-1868	
6	Fuel cock assy.	1	SF504-1074	
7	Gasket Fuel tank	1	SF523-0635	
8	Fuel tank cover beading	1	SF522-0717	
9	Fuel tank assy	1	C-4705706	
10	Fuel tank cap	1	SF521-0873	
11	Packing fuel tank cap	1	SF523-0882	
12	Sticker "GASOLINE"	1	C-4723161	
13	Bolt	1	C-4727378	
14	Spring washer	2	SF504-1089	
15	Plain washer	2	SF504-1041	
16	Clip for holding F G wire	2	SF504-1087	
17	Nut knurling	1	C-4709202	
18	Spring washer	2	C-4709383	
19	Plain washer	2	SF504-1080	
20	Cap for float unit	2	SF504-1086	
21	Screw M5X20	1	SF523-0874	
22	Plain washer	5	SF504-1085	
23	Nylon washer	5	SF504-1050	
24	Float unit kit	5	C-4703147	
25	Rubber gasket	1	SF522-0877	
26	Hose clamp for fuel pipe	1	C-3703146	
27	Fuel pipe petrol tank side	1	C-4712520	
28	Fuel pipe carburettor side	1	SF524-0881	
29	Fuel filter	1	B1324-0704	
30	Clamp for fuel pipe	1	SF523-0849	
31	Clamp for fuel pipe	2	SF504-1071	
		1	C-4727368	



TABLE - 13
REAR BRAKE DRUM



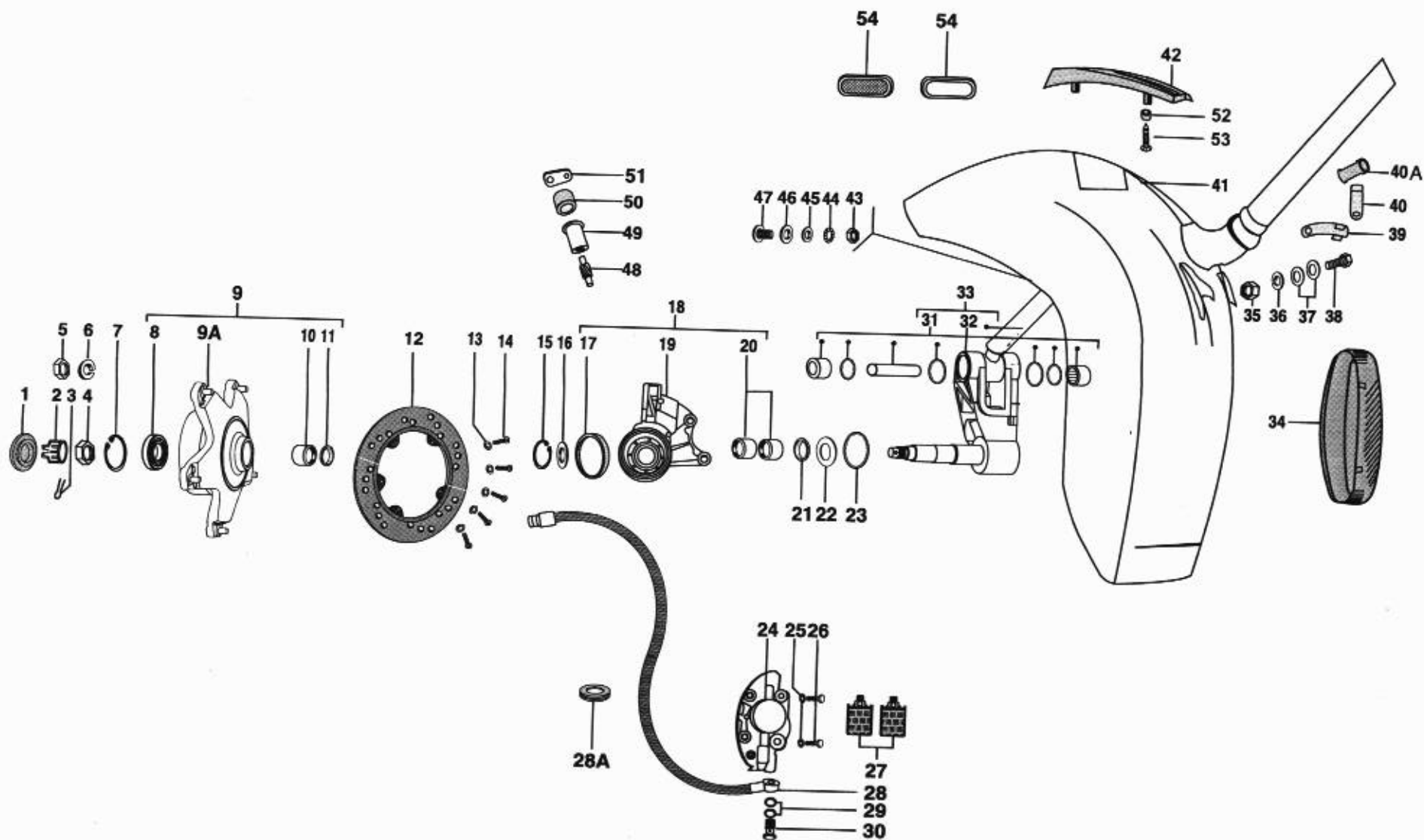
PARTS CATALOGUE STELLA - 4 STROKE

TABLE - 13 REAR BRAKE DRUM

Fig. No.	Description	Qty. Per Scooter	PART NUMBERS	REMARKS
1	Brake drum cap.	1	SF514-1508	
2	Split pin.	1	SF504-1030	
3	Lock cap.	1	SF514-1537	
4	Drum securing nut.	1	SF504-1013	
5	Washer.	1	C-4727160	
6	Nut.	5	SF504-1115	
7	Spring washer.	5	SF504-1041	
8	Brake drum assy.	1	C-4723921	
9	Brake jaw set.	1	C-4721957	
10	Circlip.	2	SF504-1015	
11	Shoes return spring.	1	SF504-1017	
12	Shaft for brake lever.	1	SF513-1578	
13	Packing	2	SF504-1058	
14	Split pin	1	SF504-1052	
15	Brake cable securing bolt.	1	SF504-1035	
16	Pin for plate.	1	SF514-1587	
17	Plate.	1	SF514-1584	
18	Lever.	1	SF514-1548	
19	Brake plate.	1	SF514-1559	
20	Cable securing washer.	1	SF504-1033	
21	Star washer.	1	SF504-1028	
22	Cable securing nut.	1	SF504-1034	
23	Split pin.	1	SF504-1029	
24	Plate securing screw.	3	SF504-1005	
25	Dust cover.	1	SF523-0656	
26	Packing for plate.	1	SF514-1577	
27	Packing for plate (small).	1	SF524-0655	
28	Lever return spring.	1	SF503-1016	
29	Plug for RBD	1	C-4723935	



TABLE - 14
STEERING COLUMN - MUDGUARD - FRONT HUB - CALIPER ASSY.



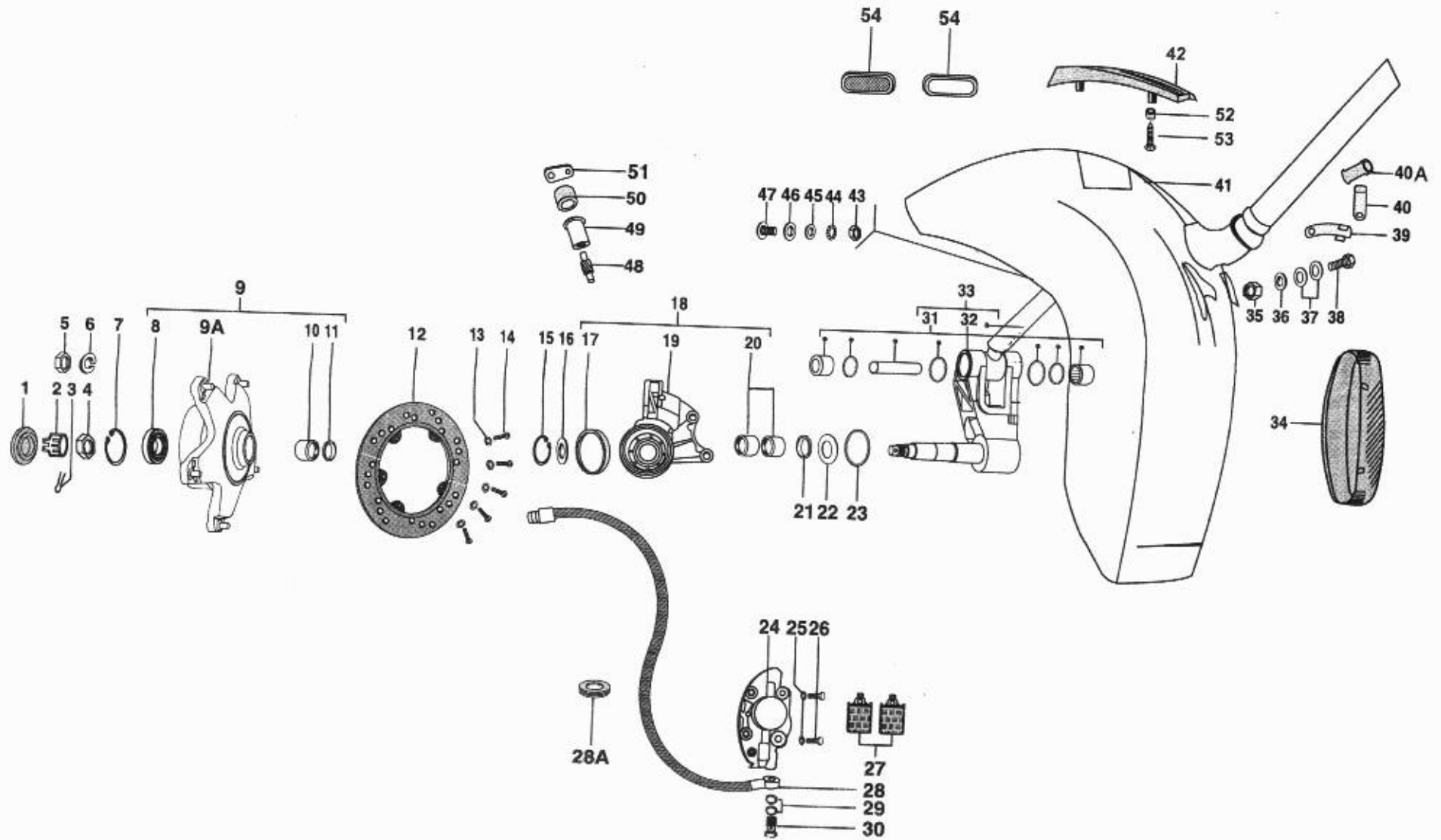
PARTS CATALOGUE STELLA - 4 STROKE

TABLE - 14 STEERING COLUMN - MUDGUARD - FRONT HUB - CALIPER ASSY.

Fig. No.	Description	Qty. Per Scooter	PART NUMBERS	REMARKS
1	Cap (plastic)	1	SF534-1928	
2	Cap (metal)	1	SF534-1923	
3	Split pin	1	SF504-1112	
4	Nut	1	SF504-1117	
5	Nut	5	SF504-1115	
6	Spring washer	5	SF504-1041	
7	Circlip	1	SF504-1125	
8	Bearing	1	SF504-1104	
9	Front Hub Complete	1	SF523-0819	
9A	Front Hub Assy.	1	SF523-0818	
10	D.C. roller bearing	1	SF504-1127	
11	Oil seal	1	SF504-1100	
12	Steel Disc	1	C-3721415	
13	Spring Washer	5	C-4721619	
14	Sph. Hd. Socket Screw (Disc Mtg.)	5	C-4721620	
15	Circlip	1	SF504-1124	
16	Spacer	1	SF534-1913	
17	Oil seal	1	SF504-1102	
18	Caliper Holder Plate with Bearing	1	C-4721637	
19	Caliper Holder Plate	1	C-1721412	
20	D.C. roller bearing	2	SF504-1128	
21	Oil seal	1	SF504-1103	
22	Spacer	1	SF504-1101	
23	Ring	1	SF504-1099	
24	Caliper Assy.	1	C-4723407	
25	Star Washer (Caliper Mtg.)	2	SF504-1150	
26	Hex Head Screw	2	C-4706499	
27	Disc Brake Pad	2	C-4721834	
28	Hose Assy. - Braided	1	C-2723904	
28A	Grommet for wire clip	1	C-4727398	
29	Copper Washer	2	C-4721622	
30	Banjo Bolt	1	C-4721621	
31	Mini suspension kit	1	SF534-1939	
32	Link front suspension	1	SF534-1925/A	
33	Steering column assy. with arm	1	SF533-1932/A	
34	Link cover	1	C-3721676	
35	Nut	3	SF504-1046	



TABLE - 14
STEERING COLUMN - MUDGUARD - FRONT HUB - CALIPER ASSY.



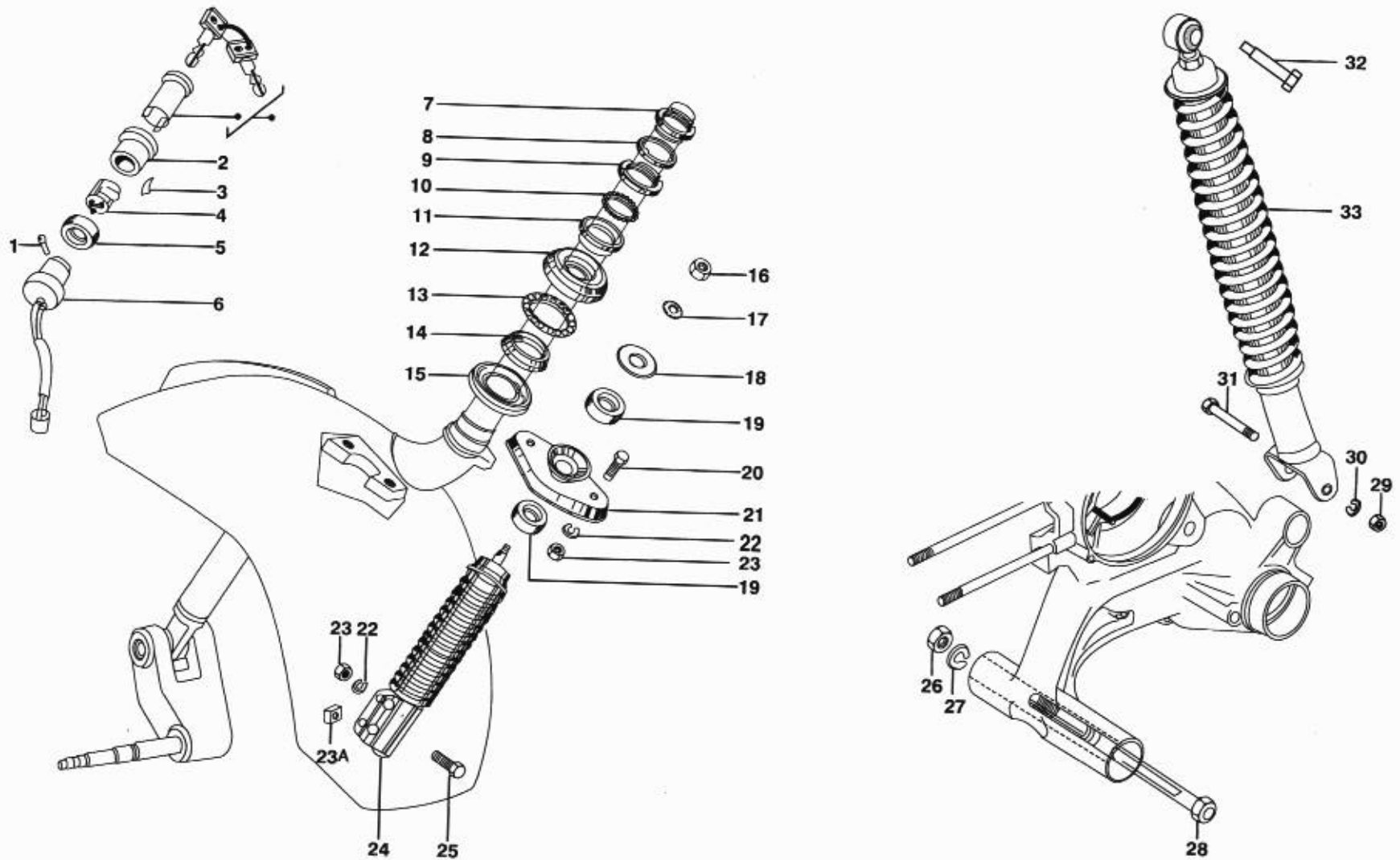
PARTS CATALOGUE STELLA - 4 STROKE

TABLE - 14 STEERING COLUMN - MUDGUARD - FRONT HUB - CALIPER ASSY.

Fig. No.	Description	Qty. Per Scooter	PART NUMBERS	REMARKS
36	Spring washer			
37	Washer	3	SF504-1040	
38	Bolt	6	SF504-1032	
39	Clamp for hose	3	SF504-1119	
40	Hose Clamp	1	C-4723382	
40A	Grommet hose fixing	1	C-4723387	
41	Mudguard Assy	1	C-4723394	
42	Crest	1	C-1721729	
43	Nut	1	C-2727065	
44	Star washer	1	SF504-1045	
45	Plain washer	1	SF504-1078	
46	Plain washer	1	SF504-1107	
47	Bolt	1	SF504-1123	
48	Speedo drive pinion	1	SF504-1113	
49	Pinion Support	1	SF534-1922	
50	Plug	1	C-4721611	
51	Securing Plate	1	C-4721623	
52	Cap (Mudguard)	1	C-4723099	
53	Self tapping Screw	2	SF524-1835	
54	Reflex reflector on mudguard	2	SF504-1114	
		2	C-4727020	



TABLE - 15 FRONT & REAR DAMPER - SECURITY LOCK

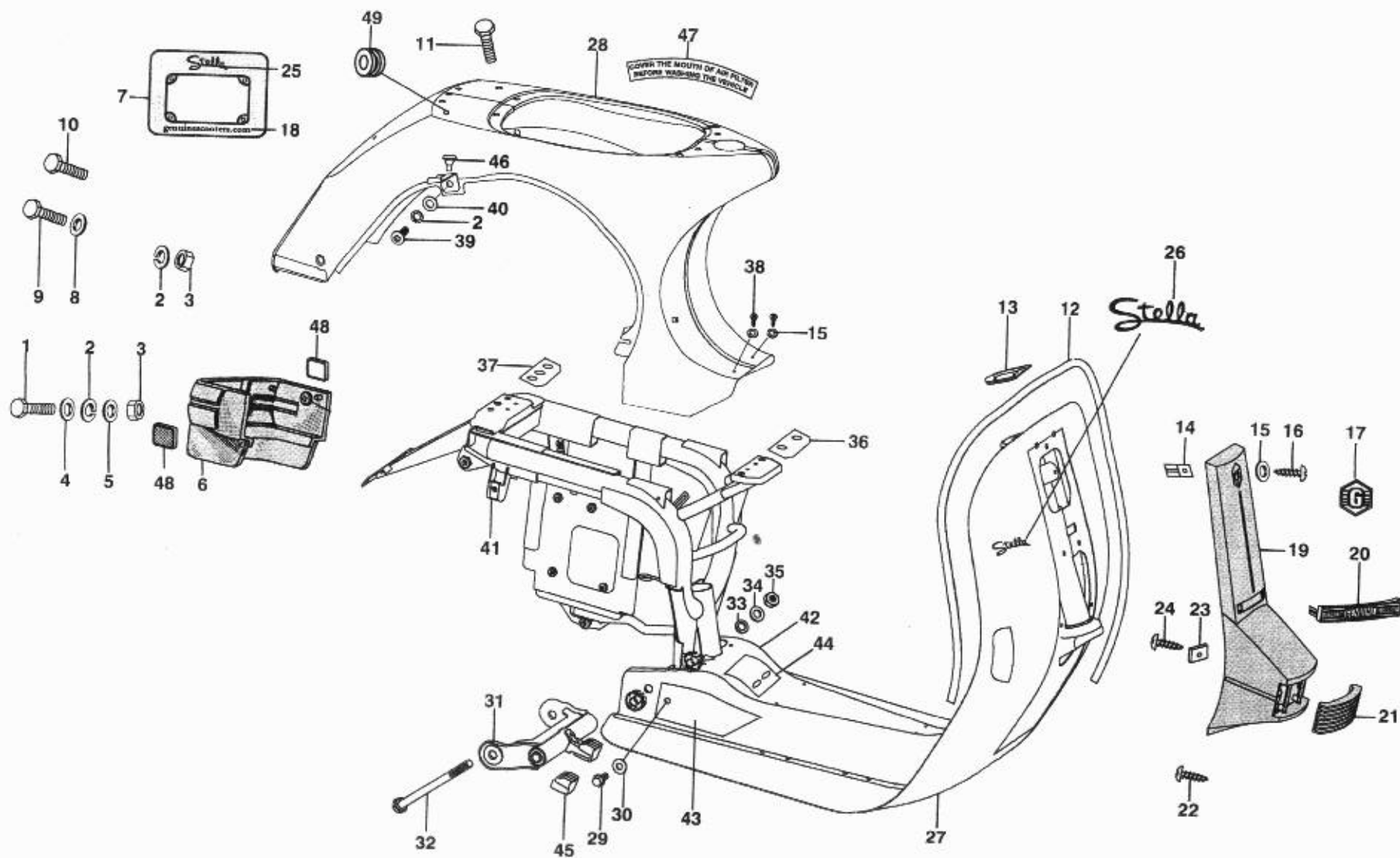


PARTS CATALOGUE STELLA - 4 STROKE

TABLE - 15 FRONT & REAR DAMPER - SECURITY LOCK

Fig. No.	Description	Qty. Per Scooter	PART NUMBERS	REMARKS
1	Screw			
2	Housing	1	SF504-1153	
3	Spring plate	1	C-4710590	
4	Lock bar	1	SF524-1825	
5	Gasket Packing for lock body	1	SF524-1826	
6	Ignition switch	1	C-4712287	
7	Upper ring nut	1	C-4718579	
8	Stop washer	1	SF534-1902	
9	Upper ring nut	1	SF504-1106	
10	Ball cage	1	SF534-1937	
11	Lower track of upper bearing	1	SF504-1109	
12	Outer track lower bearing	1	SF524-1841	
13	Ball cage	1	SF524-1870	
14	Inner track of lower bearing	1	SF504-1108	
15	Dust cover	1	SF534-1938	
16	Nut	1	SF534-1927	
17	Spring washer	1	SF504-1118	
18	Upper washer	1	SF504-1111	
19	Buffer front damper	1	SF504-1098	
20	Bolt M8X20	2	SF534-1909	
21	Upper plate	2	SF504-1089	
22	Spring washer	1	SF534-1912	
23	Nut	4	SF504-1041	
23A	Square nut	3	SF504-1115	
24	Front damper assy.	1	C-4721635	
25	Bolt M8X40	1	C-3727649	
26	Nut M 14	2	C-4721524	
27	Spring washer 14.2	1	SF504-1084	
28	Bolt Head M 14 X1.5 X235	1	SF504-1081	
29	Nut	1	SF524-1871	
30	Spring washer	1	SF504-1116	
31	Bolt M10 X 65	1	SF504-1042	
32	Special bolt	1	SF504-1121	
33	Rear damper assy.	1	SF524-0672	
		1	SF522-0663	

TABLE - 16
FRAME

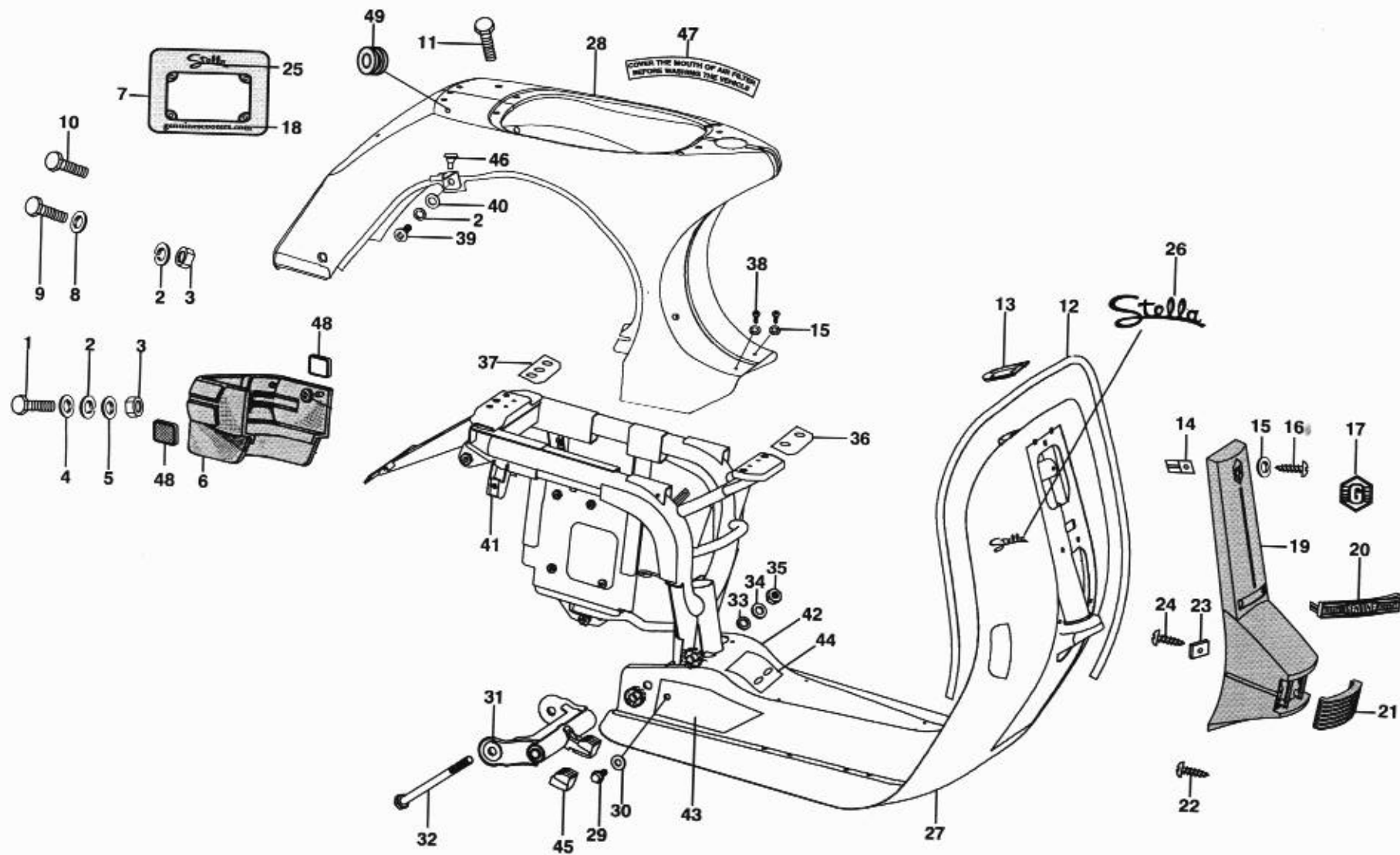


PARTS CATALOGUE STELLA - 4 STROKE

TABLE - 16 FRAME

Fig. No.	Description	Qty. Per Scooter	PART NUMBERS	REMARKS
1	Bolt for mtg. rear protection of frame	2	SF504-1088	
2	Spring washer	8	SF504-1040	
3	Nut	8	SF504-1046	
4	Plain washer	4	SF504-1051	
5	Cup washer	2	C-4710872	
6	Rear protection of frame	1	SF521-1850	
7	Frame for license plate	1	C-3727389	
8	Plain washer 16x6.5x1.5 thick	4	C-4709303	
9	Bolt for number plate lower M6-6gx20 long	2	C-4709304	
10	Bolt for number plate upper M6x6gx30 long	2	C-4709319	
11	Flange Bolt M6x12	2	SF504-1167	
12	Wind shield beading	1	SF520-1873	
13	Chassis terminal cover	1	C-3712871	
14	Plug	1	SF524-1840	
15	Plain washer	3	SF504-1050	
16	Self tapping screw	1	SF504-1094	
17	Logo "G" for steering column cover	1	C-3727202	
18	Sticker "Genuine Scooters" for frame	1	C-4727400	
19	Steering column cover	1	C-2723368	
20	Name plate "Scooter Genuine Company"	1	C-3727203	
21	Grill	1	C-3727067	
22	Screw for Grill	2	SF504-1095	
23	Nut (plate)	2	SF524-1831	
24	Self tapping screw 4.2X22	2	C-4706353	
25	Sticker "Stella" for frame	1	C-4727399	
26	Name plate "Stella" for wind shield	1	C-3727201	
27	Assy. Frame - 4S	1	SF521-0850	
28	Body shell assy. - 4S	1	SF521-0878	
29	Flanged bolt-M8x1.25-16 long (White)	2	SF504-1169	
	Flanged bolt-M8x1.25-16 long (Black)	2	SF504-1170	
30	Plain washer - Black	2	C-4721602/2	
	Plain washer - White	2	C-4721602/1	
31	Assy. Eng. Mtg. link complete	1	SF523-0668	
32	Bolt special M12x1.25x235	1	SF524-0640	
33	Washer 24x13x2	1	SF504-1076	
34	Spring washer M12	1	SF504-1163	
35	Nut Hex.-M12	1	SF504-1048	

TABLE - 16
FRAME



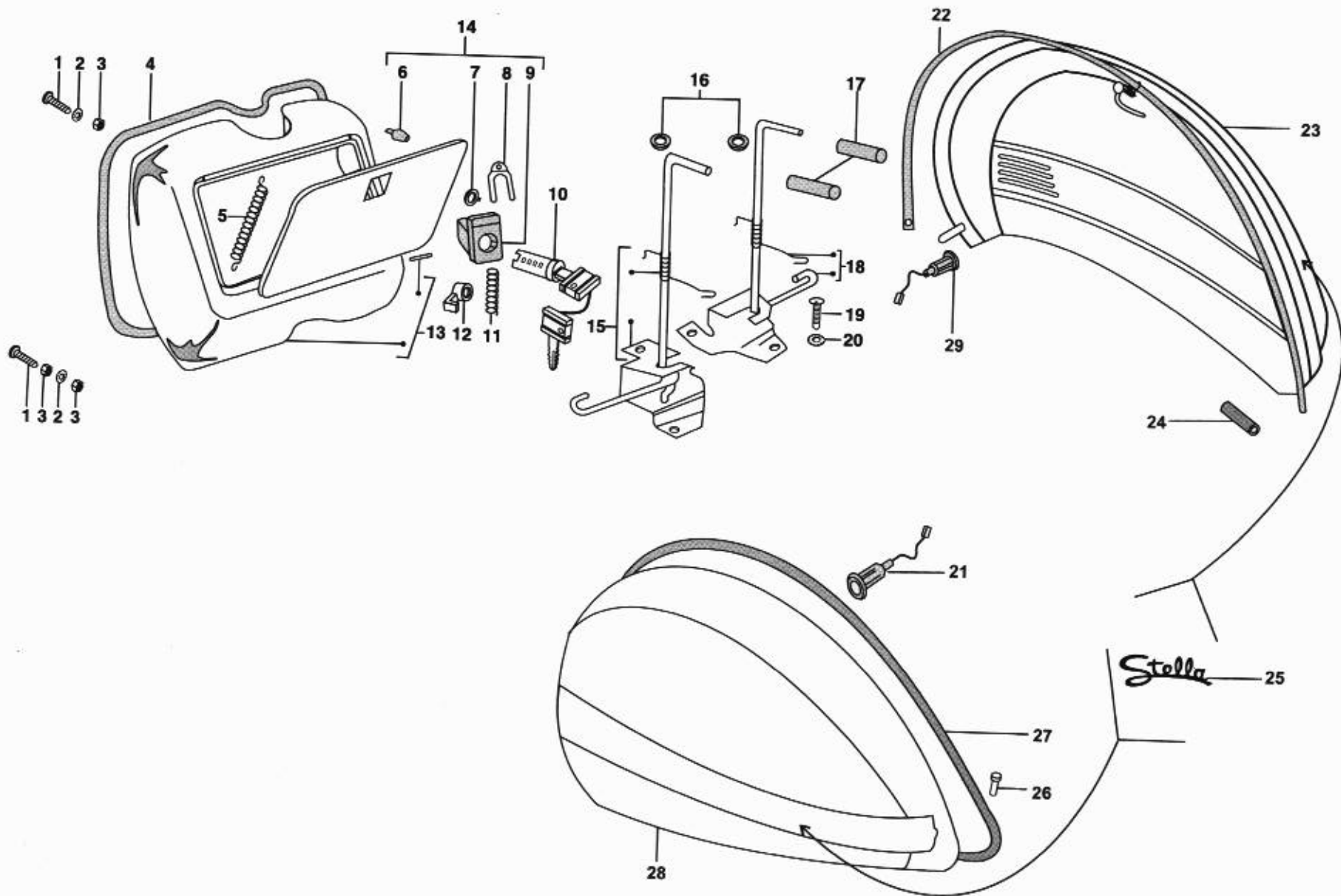
PARTS CATALOGUE STELLA - 4 STROKE

TABLE - 16 FRAME

Fig. No.	Description	Qty. Per Scooter	PART NUMBERS	REMARKS
36	Rubber pad front	1	SF524-0556	
37	Rubber pad rear	1	SF524-0625	
38	Self tapping screw	2	SF504-1093	
39	Screw M6x15	2	SF504-1062	
40	Plain washer	6	SF504-1032	
41	Securing plate	2	B1424-0154	
42	Sticker paint protector side LH	1	SF523-0693	
43	Sticker paint protector side RH	1	SF523-0694	
44	Sticker paint protector Top	1	SF523-0695	
45	Rubber pad link stopper	1	SF523-0658	
46	Buffer Cowl	1	SF524-1837	
47	Caution Sticker for Air Filter	1	SF524-0795	
48	Reflex reflector	2	C-4727021	
49	Grommet for shell	1	SF584-2231	



TABLE - 17 COWLS - GLOVE COMPARTMENT



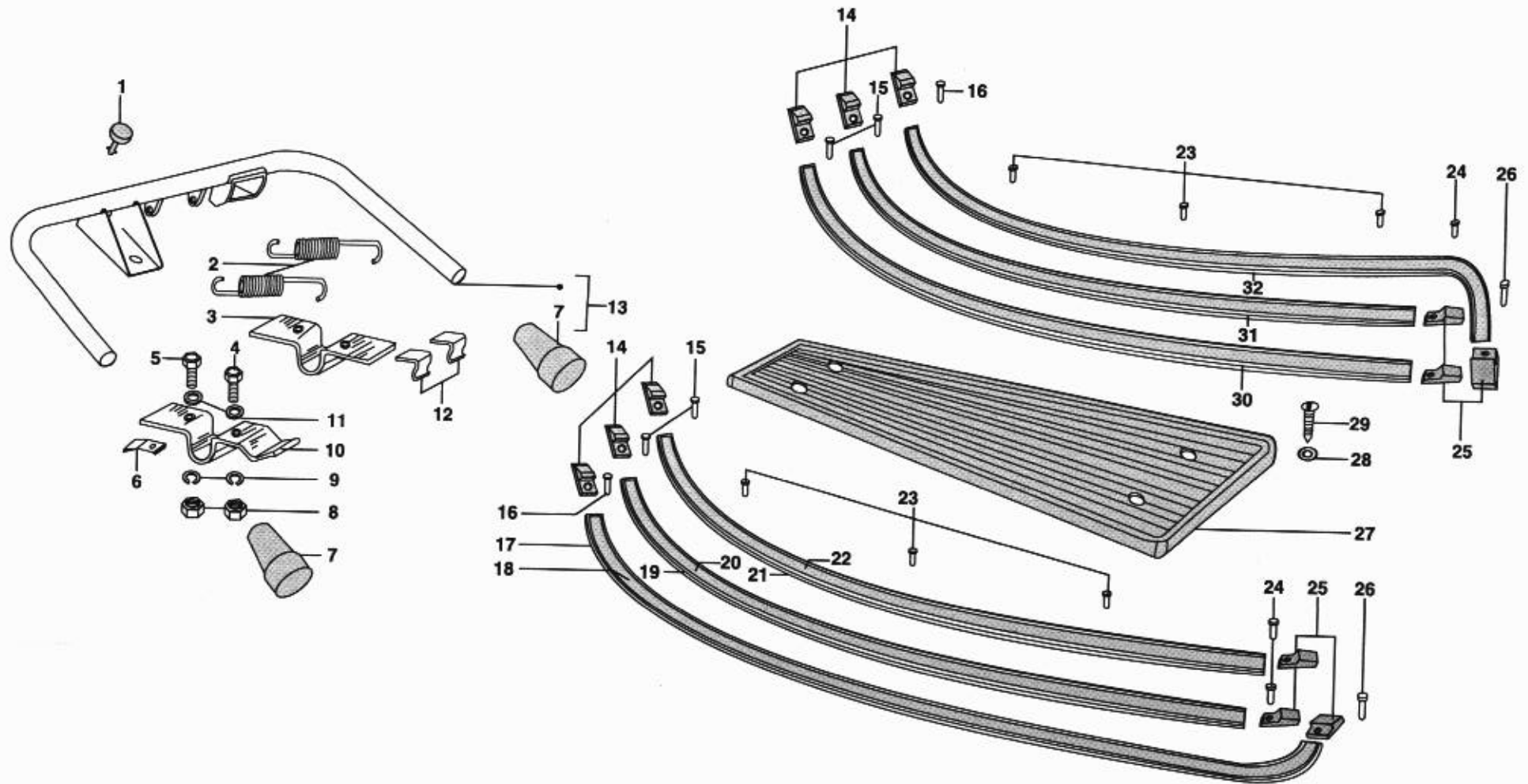
PARTS CATALOGUE STELLA - 4 STROKE

TABLE - 17 COWLS - GLOVE COMPARTMENT

Fig. No.	Description	Qty. Per Scooter	PART NUMBERS	REMARKS
1	Screw	4	SF504-1079	
2	Lock washer	4	SF504-1078	
3	Nut	8	SF504-1045	
4	Packing for glove compartment	1	C-4727152	
5	Spring for holding tool kit	1	SF504-1072	
6	Buffer	4	SF524-0684	
7	Washer	1	SF524-1823	
8	Stop plate	1	SF524-1863	
9	Slide block (plastic)	1	C-2712149	
10	Lock Set - 3 Barrel with 2 Keys	1	SF524-0740	
11	Spring	1	SF504-1158	
12	Lever	1	SF524-1829	
13	Glove compartment with lid	1	C-2714431	
14	Glove compartment assy.	1	C-2714432	
15	Assy.lever cowl locking 4S LH	1	SF523-0571	
16	Slide bush	2	SF524-1806	
17	Protection sheath	2	SF524-1827	
18	Assy.lever cowl locking 4S RH	1	SF523-0572	
19	Self tapping screw	4	SF504-1093	
20	Lock washer	4	SF504-1027	
21	Cowl bush LH	1	SF563-0573	
22	Beading for RH cowl	1	C-4727150	
23	Cowl assy.RH	1	SF524-0821	
24	Tube for cowl	2	SF524-1854	
25	Name plate "Stella" for cowl LH / RH	2	C-3727208	
26	Strip sec. rivet	2	SF504-1082	
27	Beading for LH cowl	1	C-4727151	
28	Cowl LH assy.	1	C-4727250	
29	Cowl bush RH assy.	1	SF563-0574	



TABLE - 18
CENTRAL STAND - FOOT BOARD STRIPS - CENTER MAT



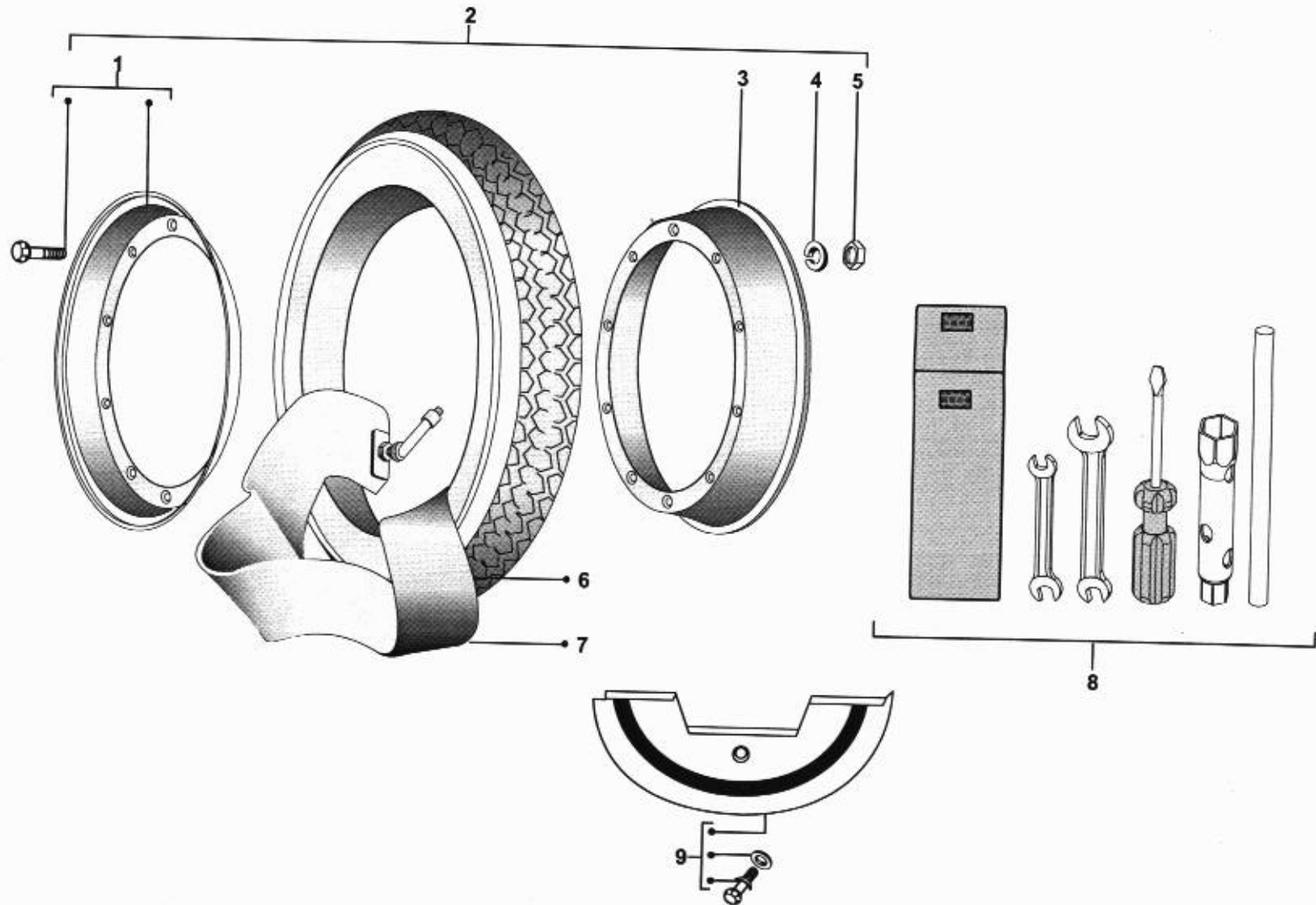
PARTS CATALOGUE STELLA - 4 STROKE

TABLE - 18 FOOT MAT - CENTRAL STAND

Fig. No.	Description	Qty. Per Scooter	PART NUMBERS	REMARKS
1	Buffer	1	C-4718675	
2	Central spring	2	SF503-1068	
3	Bracket RH	1	SF524-1822	
4	Bolt	3	SF504-1088	
5	Bolt	1	SF504-1193	
6	Spring plate	2	SF524-1820	
7	Stand pad	2	SF524-1872	
8	Nut	4	SF504-1043	
9	Spring washer	4	SF504-1040	
10	Bracket LH	1	SF524-1821	
11	Washer	4	SF504-1051	
12	Plate for spring	2	SF524-1865	
13	Central stand with pad	1	SF522-0846	
14	Terminal Pad Front	6	SF523-1884	
15	Terminal pad rivet	4	SF504-1073	
16	Rivet Profile strips	2	SF524-1885	
17	Outer strip LH	1	SF522-1886	
18	Outer rubber profile strip	2	SF524-1887	
19	Middle strip LH	1	SF522-1888	
20	Middle rubber profile strip	2	SF524-1889	
21	Inner strip LH	1	SF522-1890	
22	Inner rubber profile strip	2	SF524-1891	
23	Strip securing rivet	26	SF504-1214	
24	Inner strip securing rivet	4	SF504-1215	
25	Terminal pad profile	6	SF523-1892	
26	Terminal pad rivet	2	SF504-1216	
27	Centre mat	1	SF520-1848	
28	Plain washer	4	SF504-1050	
29	Screw for centre mat	4	SF504-1092	
30	Inner strip RH	1	SF522-1893	
31	Middle strip RH	1	SF522-1894	
32	Outer strip RH	1	SF522-1895	



TABLE - 19
WHEEL - WHEEL COVER - TOOL KIT



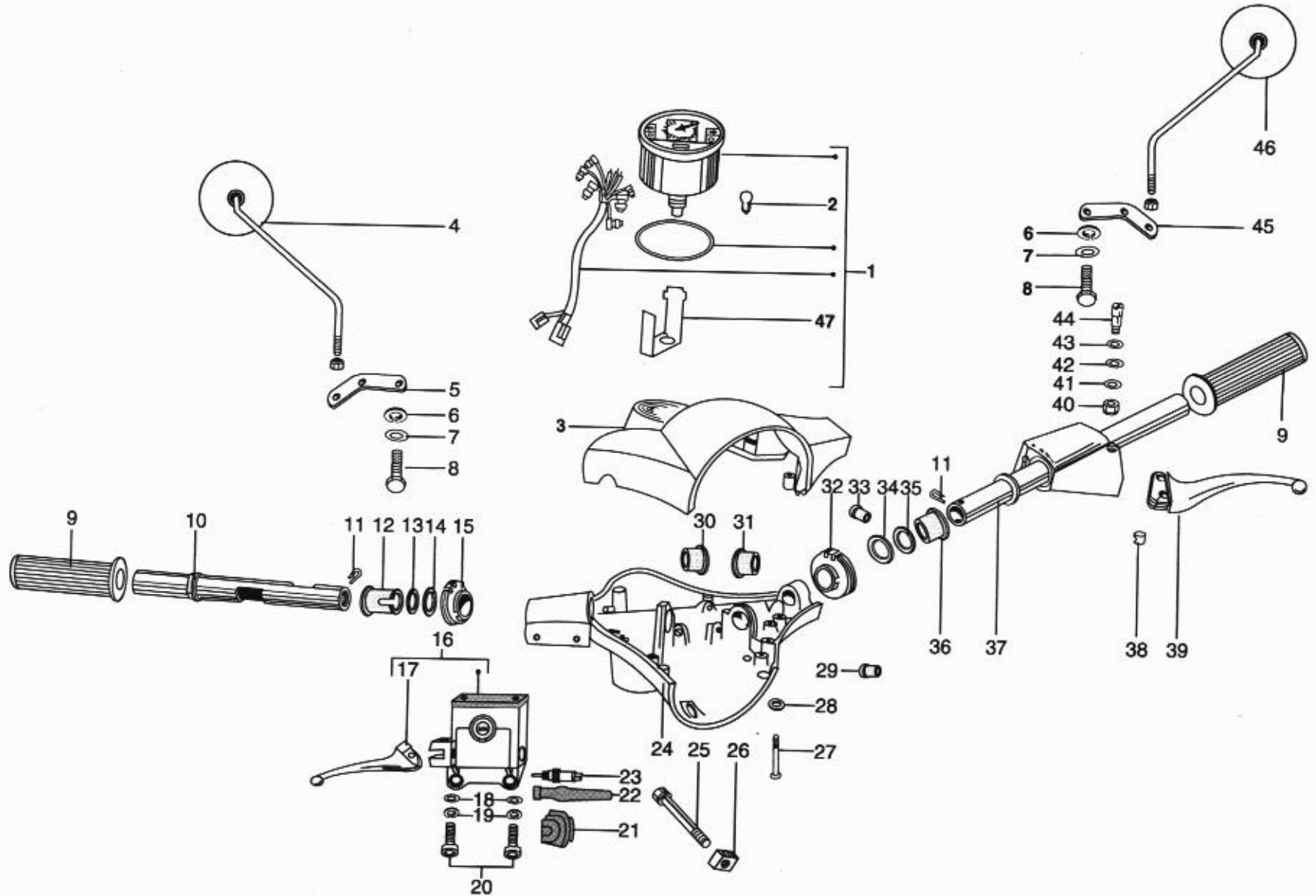
PARTS CATALOGUE STELLA - 4 STROKE

TABLE - 19 WHEEL - WHEEL COVER - TOOL KIT

Fig. No.	Description	Qty. Per Scooter	PART NUMBERS	REMARKS
1	Wheel flange assy.	3	SF562-2005/A	
2	Wheel rim assy.	3	SF563-2008	
3	Wheel rim.	3	SF562-2004/A	
4	Spring Washer	17	SF504-1041	
5	Nut-M8	17	SF504-1115	
6	Tyre	3	C-2727679/1	
7	Inner tube	3	SF564-2007/1	
8	Tool kit assy.	1	SF524-0711	
9	Spare wheel cover assy	1	C-4712007	



TABLE - 20
SPEEDOMETER - HANDLE BAR - MASTER CYLINDER ASSY.

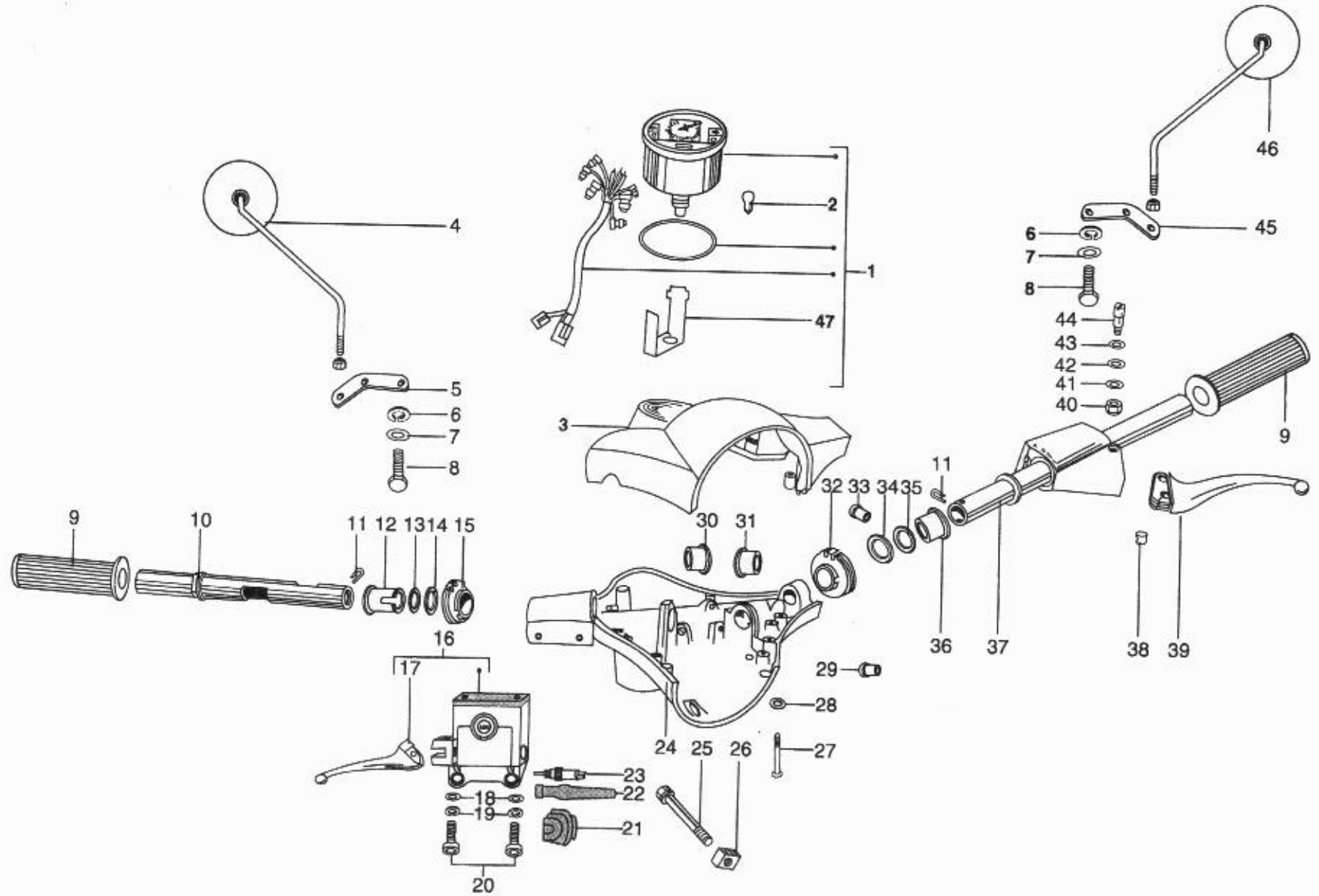


PARTS CATALOGUE STELLA - 4 STROKE

TABLE - 20 HANDLE BAR - SPEEDOMETER

Fig. No.	Description	Qty. Per Scooter	PART NUMBERS	REMARKS
1	Speedometer comp. with Fuel gauge			
2	Bulb for speedometer	1	C-4727729	
3	Handle bar top	6	SF504-1186	
4	Rear view Mirror RH ('E' mark)	1	C-4727728	
5	Mounting bkt. for Mirror RH	1	C-2727073	
6	Spring Washer	1	C-3727088	
7	Plain Washer	4	SF504-1041	
8	Bolt for mounting bkt.	4	C-4721602	
9	Twist grip Stella	4	SF504-1089	
10	Throttle tube	2	C-4727730	
11	Spring clip	1	C-4727395	
12	Ring insert (Throttle side outer)	2	SF504-1131	
13	Washer for throttle tube	1	C-4721745	
14	Washer	1	C-4721941	
15	Throttle pulley	1	SF504-1130	
16	Master Cylinder Assy.	1	SF543-1952	
17	Front brake lever	1	C-3721705	
18	Plain Washer	1	C-3727223	
19	Spring Washer	2	SF504-1087	
20	Screw Master Cyl. Mtg.	2	SF504-1041	
21	Grommet Handle Bar	2	SF504-1180	
22	Insulating Cap for Switch	1	C-3721690	
23	Front Brake Switch	1	C-4722375	
24	Handle bar Lower	1	C-4721648	
25	Bolt (st. column)	1	C-4723415	
26	Nut	1	SF504-1138	
27	Screw	1	SF504-1134	
28	Plain washer	4	SF504-1139	
29	Cable cap for gear change	4	SF504-1050	
30	Ring insert	1	SF544-1954	
31	Ring insert brass (Gear sleeve inner)	1	C-4721942	
32	Gear pulley	1	C-4723004	
33	Cable end cap	1	SF543-1951	
34	Spring washer	2	SF544-1953	
35	Shim for gear sleeve	1	C-4721942	
36	Ring insert (Gear sleeve side outer)	1	C-4721749	
37	Gear sleeve with tube	1	C-4721746	
		1	C-3704468	

TABLE - 20
SPEEDOMETER - HANDLE BAR - MASTER CYLINDER ASSY.



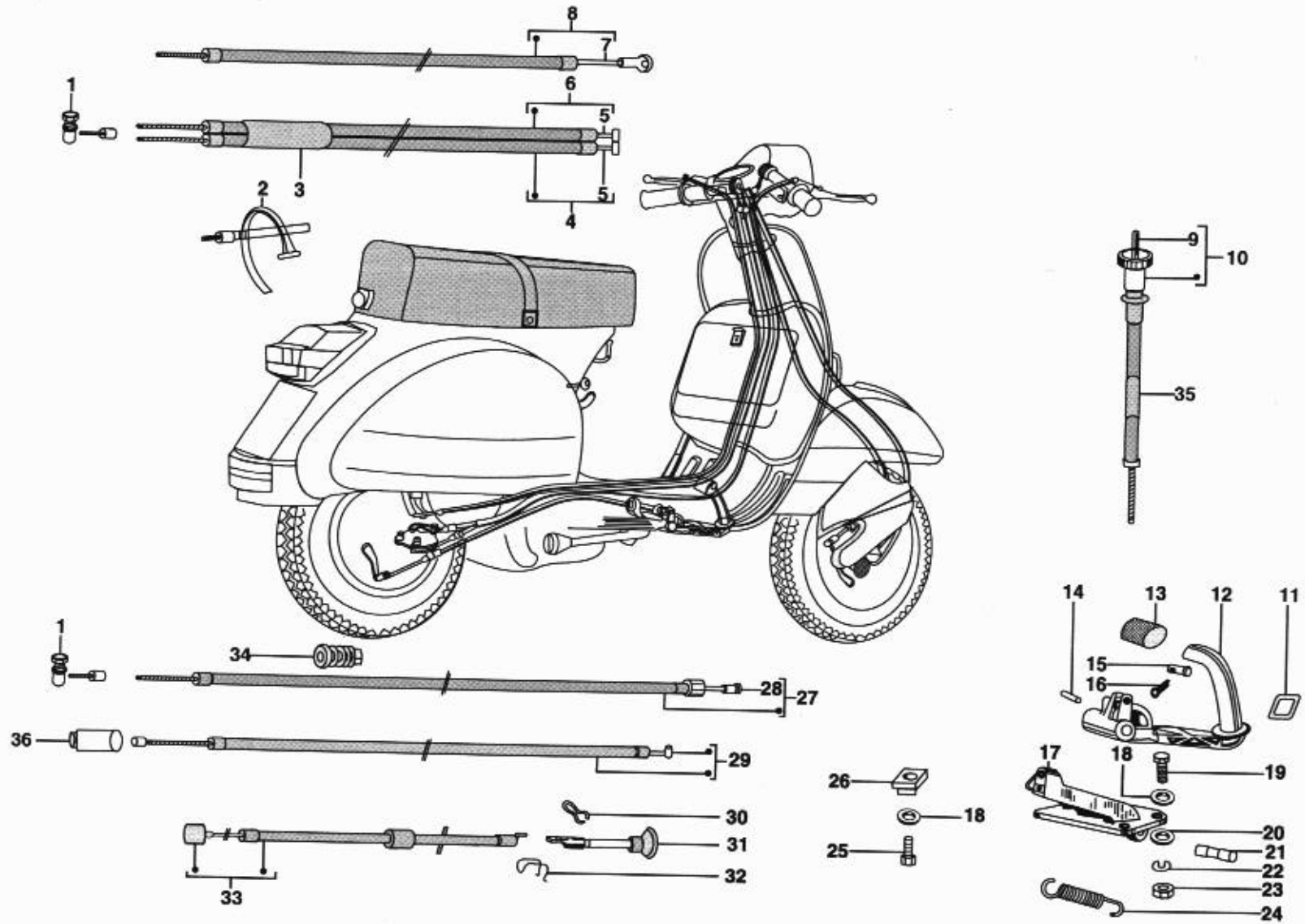
PARTS CATALOGUE STELLA - 4 STROKE

TABLE - 20 HANDLE BAR - SPEEDOMETER

Fig. No.	Description	Qty. Per Scooter	PART NUMBERS	REMARKS
38	Cable end cap for clutch	1	SF544-1957	
39	Clutch Lever	1	C-2714436	
40	Nut	1	SF504-1137	
41	Plain washer	1	SF504-1135	
42	Plain washer	1	SF504-1136	
43	Spring washer	1	SF504-1133	
44	Screw	1	SF504-1132	
45	Mounting bkt. for Mirror LH	1	C-3727087	
46	Rear view Mirror LH ('E' mark)	1	C-2727109	
47	Speedometer Bracket	1	C-3727697	



TABLE - 21
CONTROL CABLES



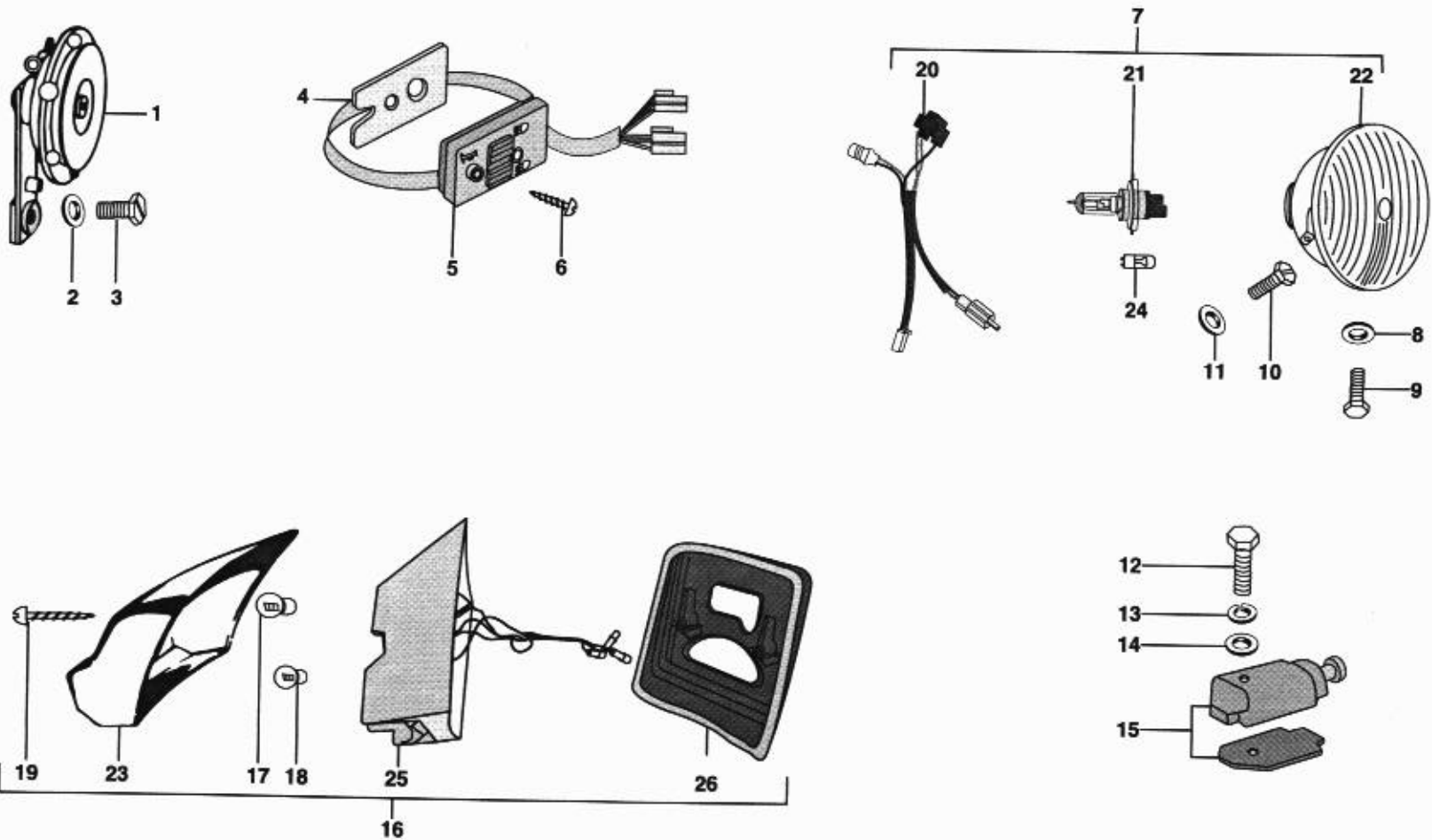
PARTS CATALOGUE STELLA - 4 STROKE

TABLE - 21 CONTROL CABLES

Fig. No.	Description	Qty. Per Scooter	PART NUMBERS	REMARKS
1	Cable screw nipple			
2	Cable securing strap	3	SF504-1141	
3	Protective sleeve	1	SF504-1140	
4	Gear transmission assy. (long) white	1	SF554-1981	
5	Inner cable gear white	1	SF524-0594	
6	Gear transmission assy. Black	2	SF523-0596	
7	Rear brake inner cable	1	SF524-0595	
8	Rear brake cable assy.	1	SF554-1982	
9	Speedometer inner cable	1	SF554-1985	
10	Speedometer transmission assy.	1	SF554-1983	
11	Protection sheath	1	SF554-1974	
12	Rear brake pedal	1	SF554-1979	
13	Rubber pad	1	SF552-1975	
14	Pin	1	SF553-1976	
15	Cable pin	1	SF504-1148	
16	Split pin	1	SF554-1980	
17	Bracket for rear brake pedal	1	SF504-1029	
18	Plain washer	1	SF552-1971	
19	Bolt M6X22	3	SF504-1051	
20	Washer	2	SF504-1147	
21	Pin	2	SF504-1032	
22	Spring washer	1	SF554-1977	
23	Nylock nut	3	SF504-1040	
24	Return spring for brake pedal	2	C-4701940	
25	Bolt M6X20	1	SF504-1145	
26	Nut with cage	1	SF504-1146	
27	Clutch control cable assy.	1	SF504-1142	
28	Clutch inner cable	1	C-4709049	
29	Throttle control cable assy.	1	SF554-1996	
30	Spring	1	SF523-0780	
31	Rod with knob	1	SF504-1144	
32	Spring for transmission fastening	1	SF524-0788	
33	Choke cable assy.	1	SF524-0789	
34	Clutch cable protection	1	SF523-0781	
35	Sleeve Speedo cable	1	SF554-1973	
36	Rubber boot on throttle cable	1	C-4727103	
		1	SF514-0430	



TABLE - 22
HORN - MAIN SWITCH - HEAD LAMP - TAIL LAMP



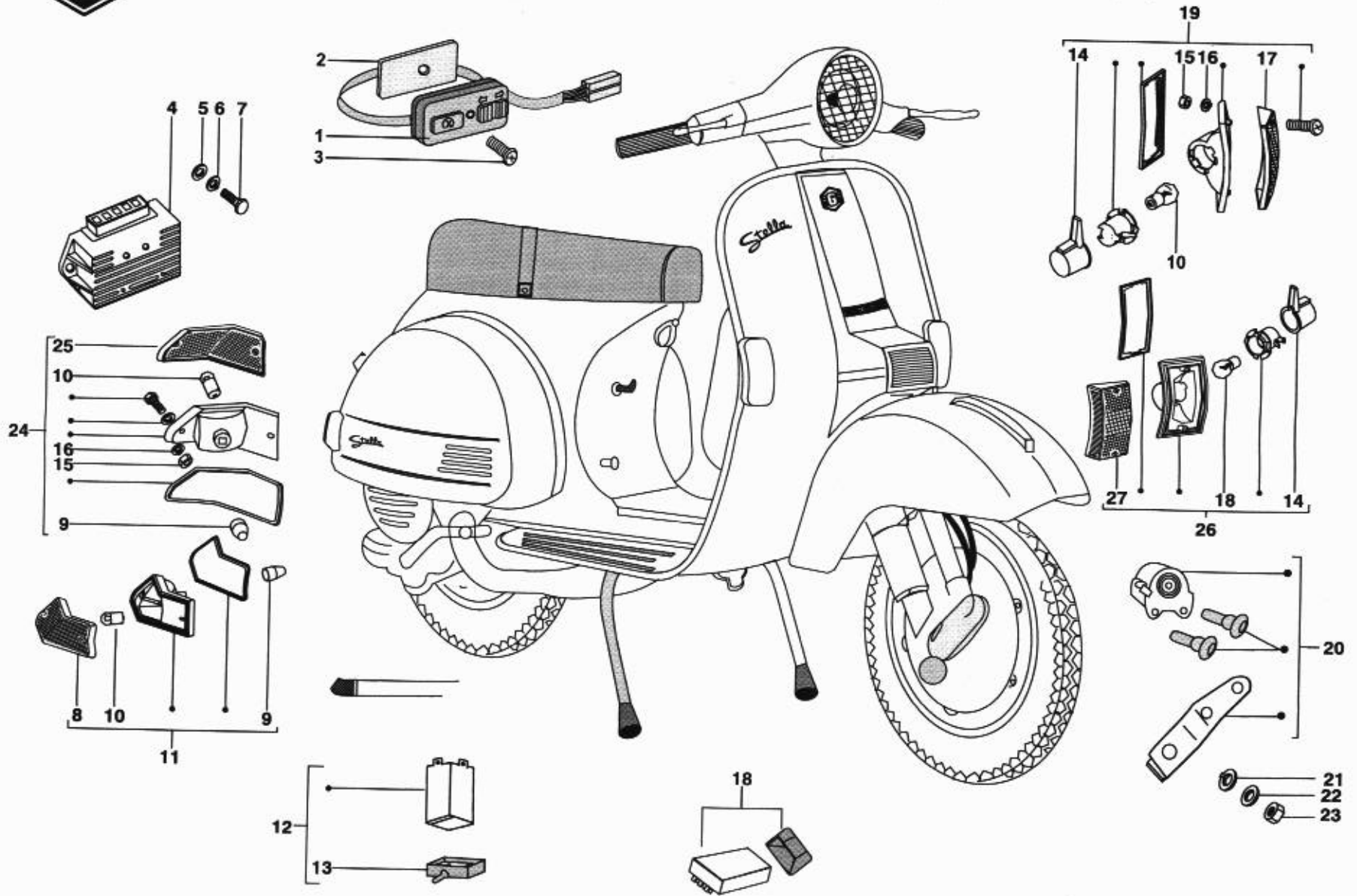
PARTS CATALOGUE STELLA - 4 STROKE

TABLE - 22 HORN - MAIN SWITCH - HEAD LAMP - TAIL LAMP

Fig. No.	Description	Qty. Per Scooter	PART NUMBERS	REMARKS
1	Horn 12 Volt D.C.	1	SF583-0807	
2	Plain Washer	1	SF504-1136	
3	Screw for horn mtg.	1	SF504-1062	
4	Insulator plate	1	C-4705712	
5	Main switch complete	1	C-3727401	
6	Screw	1	SF504-1152	
7	Head lamp assy.	1	C-4727689	
8	Plain washer (ID 4.2 XOD 12 X1 THK)	1	SF504-1096	
9	Screw M4X12	1	SF504-1155	
10	Screw M5X12	2	SF504-1090	
11	Star washer	2	SF504-1027	
12	Bolt M4X25	1	SF504-1156	
13	Spring washer ID 4.2	1	SF504-1080	
14	Plain washer	1	SF504-1086	
15	Stop switch	1	SF584-2234	
16	Tail lamp assy.with bulb	1	C-4727690	
17	Tail light bulb (12v-5w)	1	SF504-1191	
18	Stop light bulb (12v-10w)	1	SF504-1192	
19	Screw	2	SF504-1190	
20	Bulb harness with connector	1	C-4727689/2	
21	Bulb, head light (Halogen 12v - 35/35w)	1	B1164-0327	
22	Head light insert	1	C-4727689/1	
23	Tail lamp glass	1	C-4727431	
24	Bulb, Parking light (12v - 5w)	1	B1464-0382	
25	Reflector tail light	1	C-4727543/1	
26	Base plate assy. Tail light	1	C-2727191	



TABLE - 23
TURN SIGNAL LAMPS - BUZZER - REGULATOR - CDI - BLINKER SWITCH



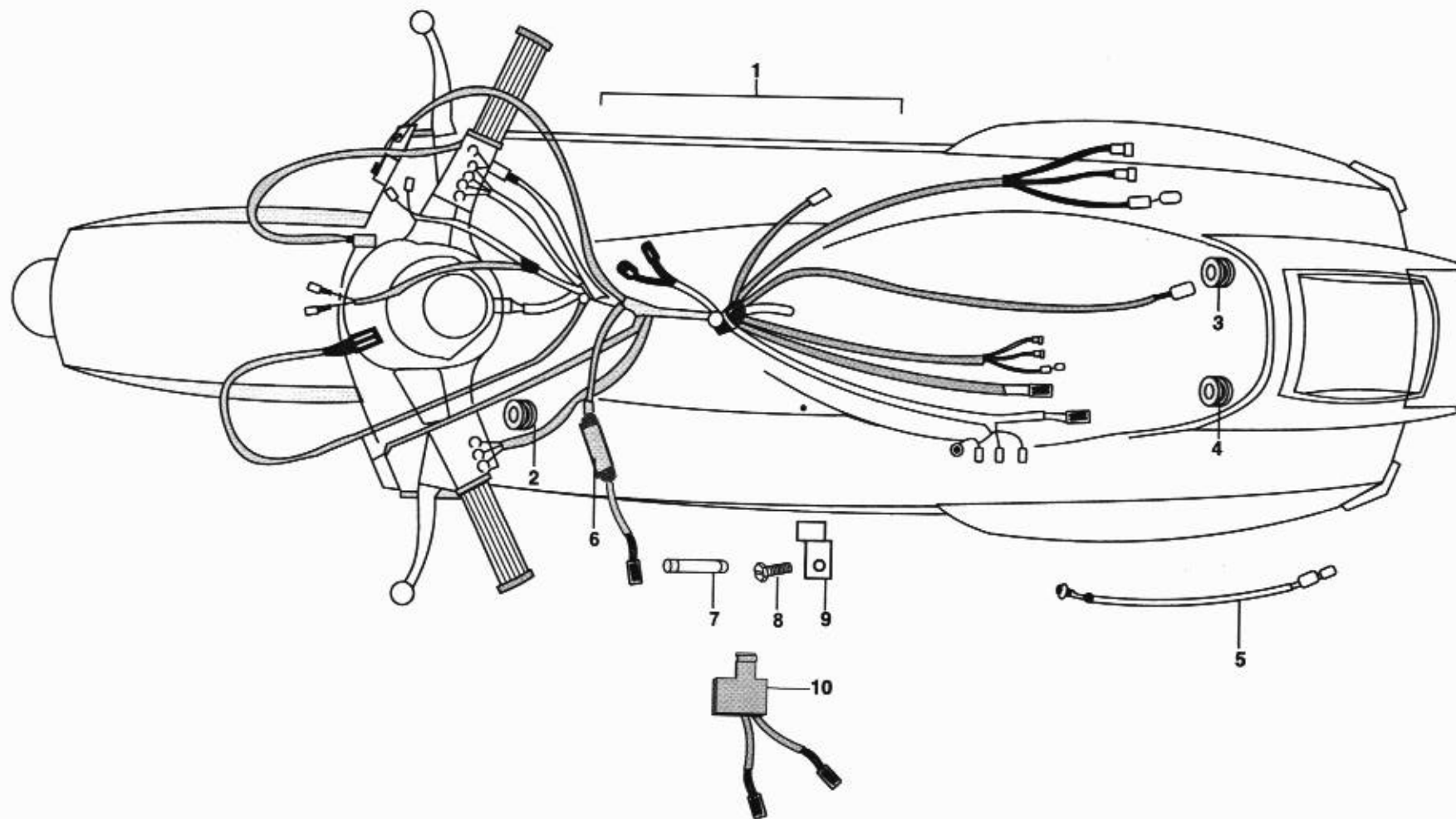
PARTS CATALOGUE STELLA - 4 STROKE

TABLE - 23 TURN SIGNAL LAMPS - BUZZER - REGULATOR - CDI - BLINKER SWITCH

Fig. No.	Description	Qty. Per Scooter	PART NUMBERS	REMARKS
1	Blinker switch complete			
2	Insulator plate	1	C-3727290	
3	Screw for blinker switch	1	C-4705713	
4	Regulator	1	SF504-1152	
5	Plain washer	1	C-3710555	
6	Spring washer	2	SF504-1051	
7	Screw	2	SF504-1040	
8	Rear blinker glass RH	2	SF504-1062	
9	Protection cap	1	C-4727358/1	
10	Bulb 12V-21W Amber	2	SF584-2235	
11	Rear blinker RH	4	C-4727613	
12	DC flasher with support	1	C-4727694	
13	Spring support	1	C-4727284	
14	Insulating cap	1	SF584-2233	
15	Nut	2	C-4707861	
16	Lock washer	4	SF504-1154	
17	Front T.S.L. glass LH	4	SF504-1151	
18	CDI with support	1	C-4727356/1	
19	Front blinker LH	1	SF513-0196	
20	Piezo buzzer with bracket	1	C-4727691	
21	Spring washer	1	C-4714640	
22	Plain washer	1	SF504-1039	
23	Nut M5 X 6H	1	SF504-1050	
24	Rear blinker LH	1	SF504-1045	
25	Rear blinker glass LH	1	C-4727693	
26	Front blinker RH	1	C-4727359/1	
27	Front T.S.L. glass RH	1	C-4727692	
		1	C-4727357/1	



TABLE - 24
ELECTRICAL WIRING HARNESS



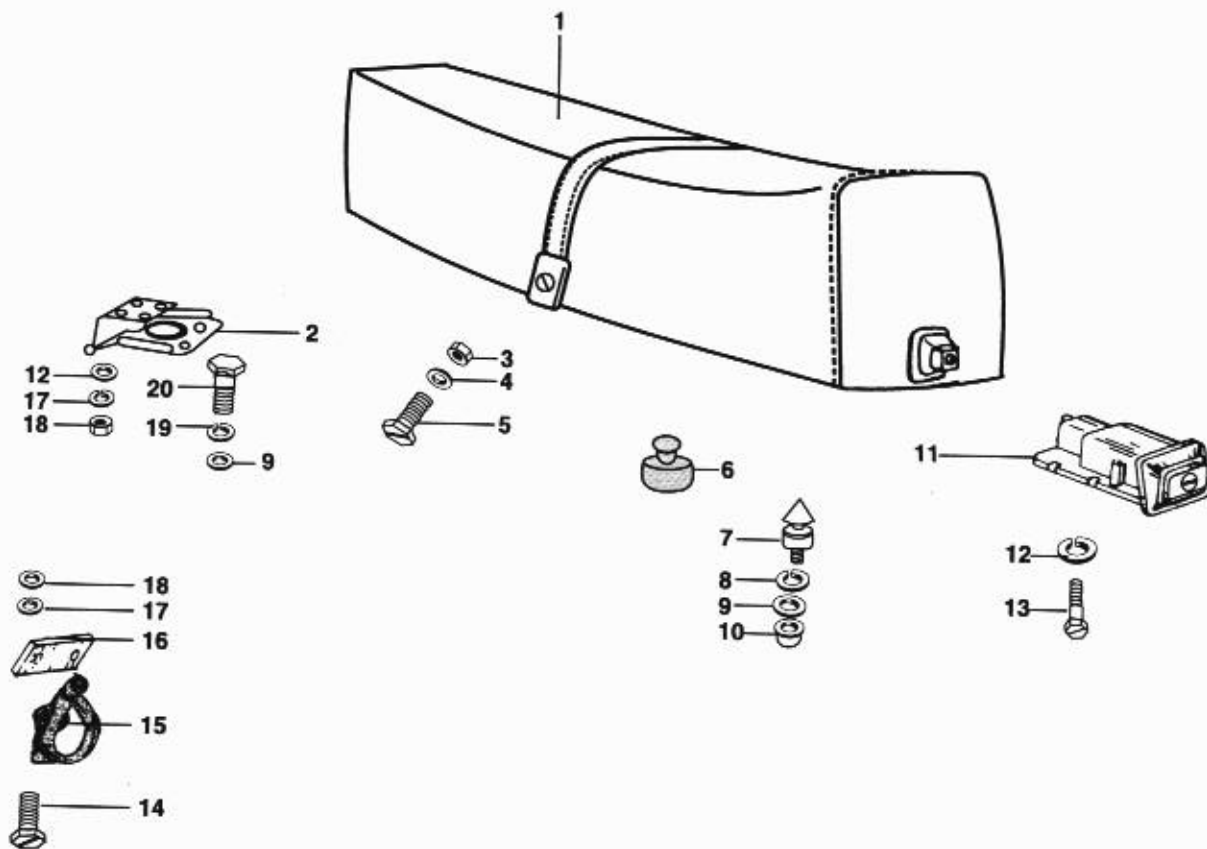
PARTS CATALOGUE STELLA - 4 STROKE

TABLE - 24 ELECTRICAL WIRING HARNESS

Fig. No.	Description	Qty. Per Scooter	PART NUMBERS	REMARKS
1	Main wiring harness			
2	Grommet front blinker	1	SF581-0783	
3	Grommet fuel gauge wire	2	C-4710902	
4	Grommet for tail lamp wire	1	SF584-2231	
5	Cowl harness	1	SF584-2232	
6	Fuse holder cover	2	C-4703421	
7	Fuse 2.5 Amp.	1	B1163-1027	
8	Screw M6x12 for fuse holding plate	1	C-4727402	
9	Fuse holding plate	1	SF504-1167	
10	Switching module	1	C-4727397	
		1	C-4727396	



TABLE - 25 SADDLE - BAG HOOK



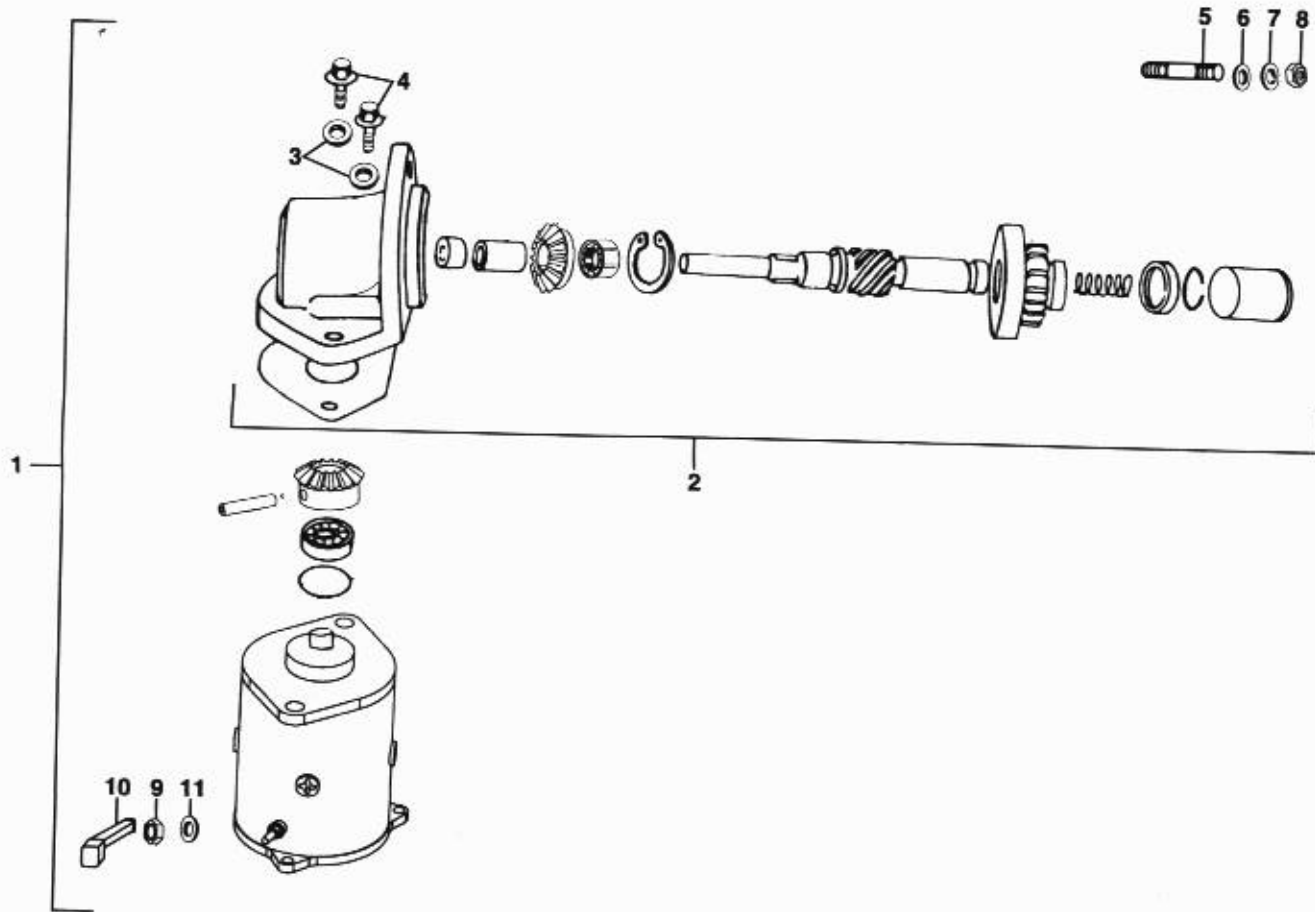
PARTS CATALOGUE STELLA - 4 STROKE

TABLE - 25 DUAL SADDLE - BAG HOOK

Fig. No.	Description	Qty. Per Scooter	PART NUMBERS	REMARKS
1	Dual saddle assy. - Black	1	SF573-0880	
	Dual saddle assy. - Dark Blue	1	SF573-0880/1	
	Dual saddle assy. - Dark Brown	1	SF573-0880/2	
	Dual saddle assy. - Brown	1	SF573-0880/3	
2	Seat hinge	1	C-3714615	
3	Nylock nut for belt	2	C-4701940	
4	Washer for belt	2	SF504-1185	
5	Bolt for belt	2	C-4714603	
6	Rubber pad for saddle	6	C-4714580	
7	Saddle lock pin	1	SF574-2221	
8	Star washer	1	SF504-1150	
9	Plain washer	4	SF504-1087	
10	Cup	1	SF574-2222	
11	Saddle lock housing	1	C-4714608	
12	Washer	7	SF504-1050	
13	Lock sec. bolt	3	SF504-1155	
14	Screw	2	C-4710387	
15	Hook for bag	1	SF523-1852	
16	Fastening plate	1	SF524-1860	
17	Spring washer	6	SF504-1039	
18	Nut	6	SF504-1045	
19	Spring washer	3	SF504-1041	
20	Bolt	3	SF504-1089	



TABLE - 26 ELECTRIC STARTER MOTOR



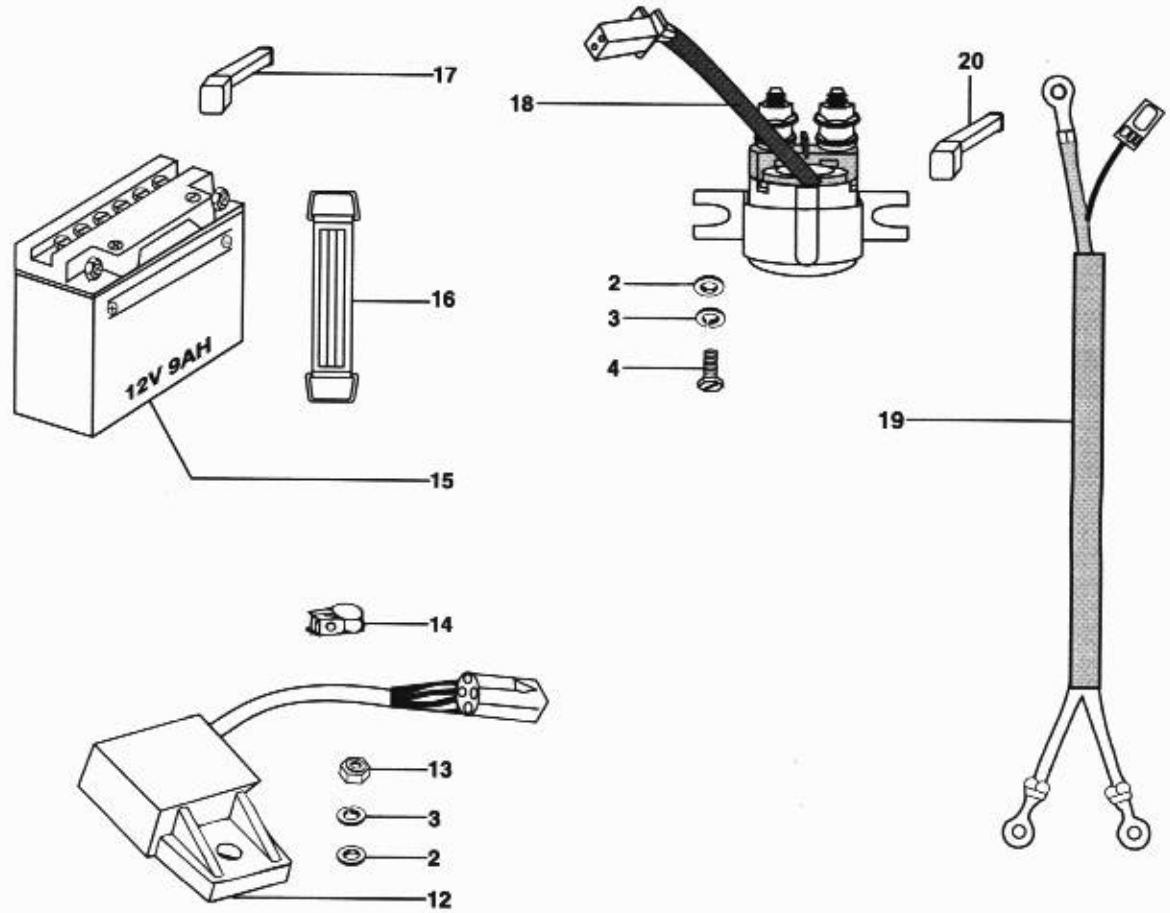
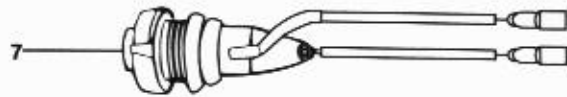
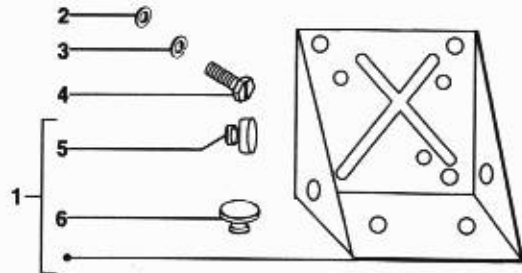
PARTS CATALOGUE STELLA - 4 STROKE

TABLE - 26 ELECTRIC STARTER MOTOR

Fig. No.	Description	Qty. Per Scooter	PART NUMBERS	REMARKS
1	Compl. starter motor with transn.	1	C-3712759	
	Compl. starter motor with transn.	1	SF513-0501	
2	Complete body connecting transm.	1	SF584-2243	
3	Bent washer	2	SF504-1197	
4	Collar bolt	2	SF504-1198	
5	Stud	3	SF504-1184	
6	Plain washer	3	SF504-1087	
7	Spring washer	3	SF504-1041	
8	Nut	3	SF504-1115	
9	Nut	1	SF504-1046	
10	Insulating cap	1	SF584-2245	
11	Plain washer	2	SF504-1051	



TABLE - 27
ELECTRIC START DEVICE - FUSE



PARTS CATALOGUE STELLA - 4 STROKE

TABLE - 27 ELECTRIC START DEVICES - FUSE

Fig. No.	Description	Qty. Per Scooter	PART NUMBERS	REMARKS
1	Battery holding box with Plug	1	C-4714826	
2	Plain washer	7	SF504-1051	
3	Spring washer	7	SF504-1040	
4	Screw	6	SF504-1062	
5	Plug	4	SF584-2237	
6	Plug	2	SF584-2238	
7	Fuse holder complete with fuse	1	C-4712732	
8	Fuse (8 Amp.)	1	C-4704435	
9	Declutching switch	1	C-4718588	
10	Starter push button	1	C-2718180	
11	Screw	2	SF504-1182	
12	PRD relay	1	C-4718587	
13	Nut	1	SF504-1046	
14	Bracket for vent pipe	2	C-4706743	
15	Battery (12V 9AH)	1	SF582-2240	
16	Battery belt	1	C-4709335	
17	Insulator cap for battery	1	C-3705722	
18	Cut out relay - BG-LIIN	1	SF583-0856	
19	Battery wiring harness	1	SF582-0842	
20	Insulating cap	1	SF584-2245	